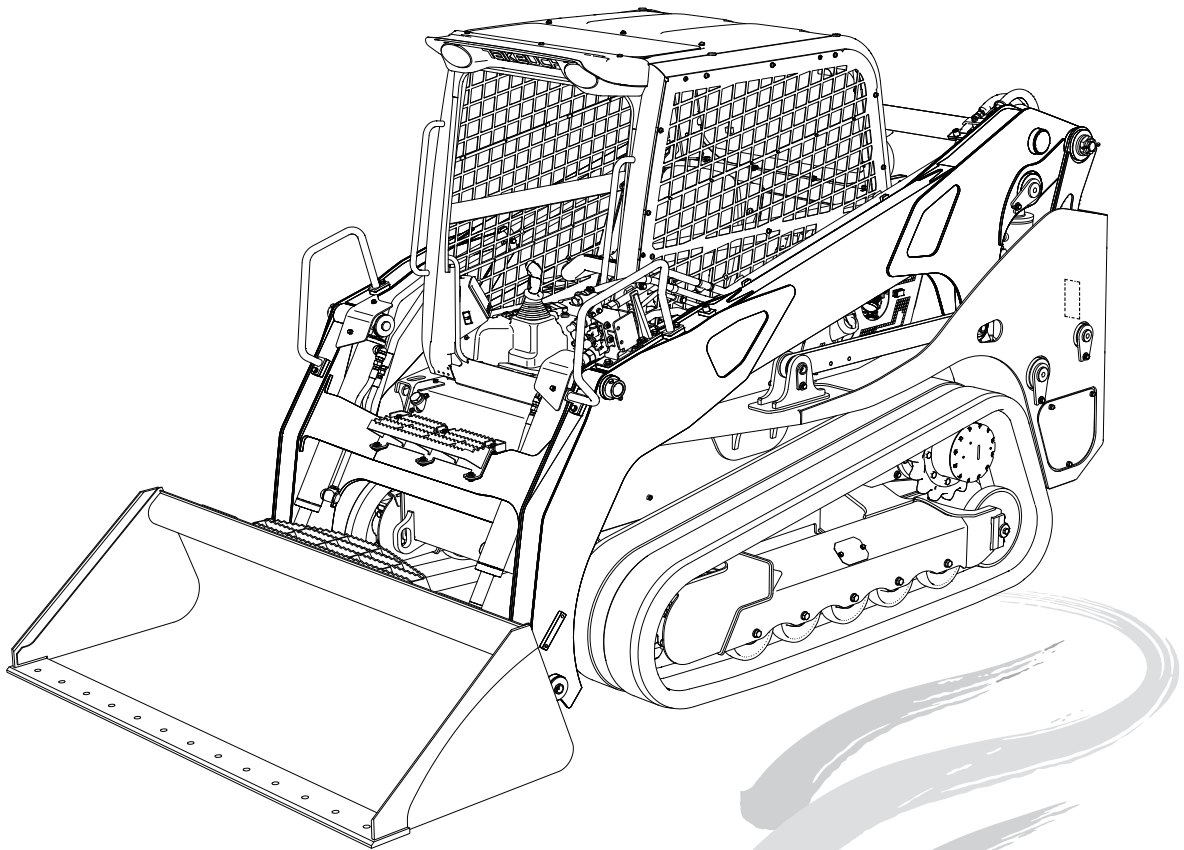


PARTS MANUAL

TL12V2

Serial No. 412000006~

BR0Z001-4-0 [P-TL12V_EV-XI]



TRACK LOADER

TAKEUCHI

UNDERCARRIAGE

TRACK ROLLER (for US) (412000006-412000578) 1
TRACK ROLLER (for US) (412000579-412000918) 3
TRACK ROLLER (for US) (412000919-) 7
FRONT IDLER (for US) (412000006-412000578) 11
FRONT IDLER (for US) (412000579-) 13
TRACK ADJUSTER 15
TRAVEL DEVICE (for US) 17
CRAWLER BELT (for US) 19

MAIN FRAME & CONTROL LEVER

FRAME 21
VALVE BRACKET 23
PIPING; OPERATION LEVER 1 25
PIPING; OPERATION LEVER 2 29
PIPING; OPERATION LEVER (ISO-H pattern) 1 31
PIPING; OPERATION LEVER (ISO-H pattern) 2 35
PIPING; OPERATION LEVER (ISO-H pattern) 3 37

ENGINE & ELECTRICAL SYSTEM

ENGINE & ACCESSORIES (1/3) 1 41
ENGINE & ACCESSORIES (1/3) 2 47
ENGINE & ACCESSORIES (1/3) 3 51
ENGINE & ACCESSORIES (2/3) 55
ENGINE & ACCESSORIES (3/3) 57
FOOT ACCELERATOR 59
ELECTRICAL (1/2) 1 61
ELECTRICAL (1/2) 2 63
ELECTRICAL (1/2) 3 67
ELECTRICAL (1/2) 4 71
ELECTRICAL (1/2) 5 73
ELECTRICAL (2/2) 75
ELECTRICAL (canopy) 77
ELECTRICAL (cab) 79
ELECTRICAL (cab) (with 2nd aux. line) 81
GPS DEVICE 83
BATTERY 85
WINDOW WASHER 87
RADIO 89
REAR VIEW CAMERA 91

HYDRAULIC PIPING & TANK

VALVE & ACCESSORIES (1/2) 1 93
VALVE & ACCESSORIES (1/2) 2 95
VALVE & ACCESSORIES (1/2) 3 99
VALVE & ACCESSORIES (1/2) (with ride control) 1 101
VALVE & ACCESSORIES (1/2) (with ride control) 2 103
VALVE & ACCESSORIES (1/2) (with ride control) 3 107
VALVE & ACCESSORIES (1/2) (with ride control) 4 109
VALVE & ACCESSORIES (2/2) 111
VALVE & ACCESSORIES (1/2) (high flow) 1 115
VALVE & ACCESSORIES (1/2) (high flow) 2 117
VALVE & ACCESSORIES (1/2) (high flow) 3 123
VALVE & ACCESSORIES (1/2) (high flow) (2nd aux. line plug type) 1 125
VALVE & ACCESSORIES (1/2) (high flow) (2nd aux. line plug type) 2 127
VALVE & ACCESSORIES (1/2) (high flow) (2nd aux. line plug type) 3 133
VALVE & ACCESSORIES (1/2) (high flow) (2nd aux. line plug type) 4 135
VALVE & ACCESSORIES (1/2) (high flow) (with 2nd aux. line) 1 137
VALVE & ACCESSORIES (1/2) (high flow) (with 2nd aux. line) 2 139

VALVE & ACCESSORIES (1/2) (high flow) (with 2nd aux. line) 3	145
VALVE & ACCESSORIES (1/2) (high flow) (with 2nd aux. line) (with ride control) 1	149
VALVE & ACCESSORIES (1/2) (high flow) (with 2nd aux. line) (with ride control) 2	151
VALVE & ACCESSORIES (1/2) (high flow) (with 2nd aux. line) (with ride control) 3	157
VALVE & ACCESSORIES (1/2) (high flow) (with 2nd aux. line) (with ride control) 4	159
VALVE & ACCESSORIES (2/2) (high flow)	161
PIPING 1	165
PIPING 2	167
PIPING 3	171
PIPING (with ride control) 1	173
PIPING (with ride control) 2	175
PIPING (with ride control) 3	179
PIPING (high flow) 1	181
PIPING (high flow) 2	183
PIPING (high flow) 3	187
PIPING (high flow) (with 2nd aux. line) 1	189
PIPING (high flow) (with 2nd aux. line) 2	191
PIPING (high flow) (with 2nd aux. line) 3	195
PIPING (high flow) (with ride control) 1	197
PIPING (high flow) (with ride control) 2	199
PIPING (high flow) (with ride control) 3	203
PIPING (high flow) (with parking brake) 1	205
PIPING (high flow) (with parking brake) 2	207
PIPING (high flow) (with parking brake) 3	211
PUMP DRIVE	213
PUMP DRIVE (high flow)	215
HYDRAULIC TANK	217
FUEL TANK & FUEL PIPING (1/2) 1	221
FUEL TANK & FUEL PIPING (1/2) 2	223
FUEL TANK & FUEL PIPING (2/2)	225

COVER & CAB

COVER (1/4)	227
COVER (1/4) (with rear view camera)	231
COVER (2/4) (center cover)	235
COVER (3/4) (rear door)	237
COVER (4/4) (engine hood)	239
FLOOR FRAME	241
SEAT (1/2)	245
SEAT (2/2)	247
SEAT BELT	249
SEAT SWITCH	251
SAFETY BAR	253
CANOPY MOUNT	255
CANOPY (for U.S.) 1	257
CANOPY (for U.S.) 2	259
CANOPY (for U.S.) 3	261
CANOPY INTERIOR	263
CAB MOUNT	265
CAB (1/3) 1	267
CAB (1/3) 2	269
CAB (1/3) 3	271
CAB (1/3) 4	273
CAB (2/3) (for U.S.) (front door) 1	275
CAB (2/3) (for U.S.) (front door) 2	279
CAB (3/3) (for U.S.) (side sash)	283
CAB INTERIOR	285
SWITCH (cab)	289
SWITCH (cab) (high flow)	291
SWITCH (cab) (high flow) (with ride control)	293

SWITCH (canopy)	295
ROOF GUARD	297
REAR MIRROR	299
AIR CONDITIONER (1/4) (compressor)	301
AIR CONDITIONER (2/4) (condenser)	303
AIR CONDITIONER (3/4) (air conditioner unit)	307
AIR CONDITIONER (4/4)	311

ATTACHMENT

ARM 1	313
ARM 2	315
QUICK HITCH	319
QUICK HITCH (hydraulic type) 1	321
QUICK HITCH (hydraulic type) 2	325
QUICK HITCH (hydraulic type) (high flow) (with coupler) 1	327
QUICK HITCH (hydraulic type) (high flow) (with coupler) 2	331
QUICK HITCH (hydraulic type) (high flow) (with 3/4 coupler) 1	333
QUICK HITCH (hydraulic type) (high flow) (with 3/4 coupler) 2	337
PIPING; ARM (1/2) 1	339
PIPING; ARM (1/2) 2	343
PIPING; ARM (1/2) 3	345
PIPING; ARM (1/2) (with ride control) 1	347
PIPING; ARM (1/2) (with ride control) 2	351
PIPING; ARM (1/2) (with ride control) 3	353
PIPING; ARM (2/2)	355
PIPING; ARM (1/2) (high flow) (hydraulic quick hitch type) (with 2nd aux. line) 1	357
PIPING; ARM (1/2) (high flow) (hydraulic quick hitch type) (with 2nd aux. line) 2	361
PIPING; ARM (1/2) (high flow) (hydraulic quick hitch type) (with 2nd aux. line) 3	363
PIPING; ARM (1/2) (high flow) (with ride control) (with 2nd aux. line) 1	365
PIPING; ARM (1/2) (high flow) (with ride control) (with 2nd aux. line) 2	369
PIPING; ARM (1/2) (high flow) (with ride control) (with 2nd aux. line) 3	371
PIPING; ARM (2/2) (high flow)	373
PIPING; ARM (1/2) (high flow) (with coupler) 1	377
PIPING; ARM (1/2) (high flow) (with coupler) 2	379
PIPING; ARM (1/2) (high flow) (with coupler) 3	381
PIPING; ARM (1/2) (high flow) (with coupler) (with ride control) (with 2nd aux. line) 1	383
PIPING; ARM (1/2) (high flow) (with coupler) (with ride control) (with 2nd aux. line) 2	385
PIPING; ARM (1/2) (high flow) (with coupler) (with ride control) (with 2nd aux. line) 3	387
PIPING; ARM (2/2) (high flow) (with coupler)	389
PIPING; ARM (1/2) (high flow) (with 3/4 coupler) 1	391
PIPING; ARM (1/2) (high flow) (with 3/4 coupler) 2	393
PIPING; ARM (1/2) (high flow) (with 3/4 coupler) 3	395
PIPING; ARM (2/2) (high flow) (with 3/4 coupler)	397

DECAL & TOOL

DECAL (canopy) (English) 1	399
DECAL (canopy) (English) 2	403
DECAL (cab) (English) 1	407
DECAL (cab) (English) 2	411
DECAL (foot accelerator)	415
DECAL (high flow)	417
DECAL (lever operation)	419
DECAL (pattern change)	421
DECAL (hydraulic quick hitch type)	423
TOOL & ACCESSORIES	425
PAINTED COLOR	427
SERVICE TOOL	429

HYDRAULIC DEVICE

CONTROL VALVE 1	431
-----------------------	-----

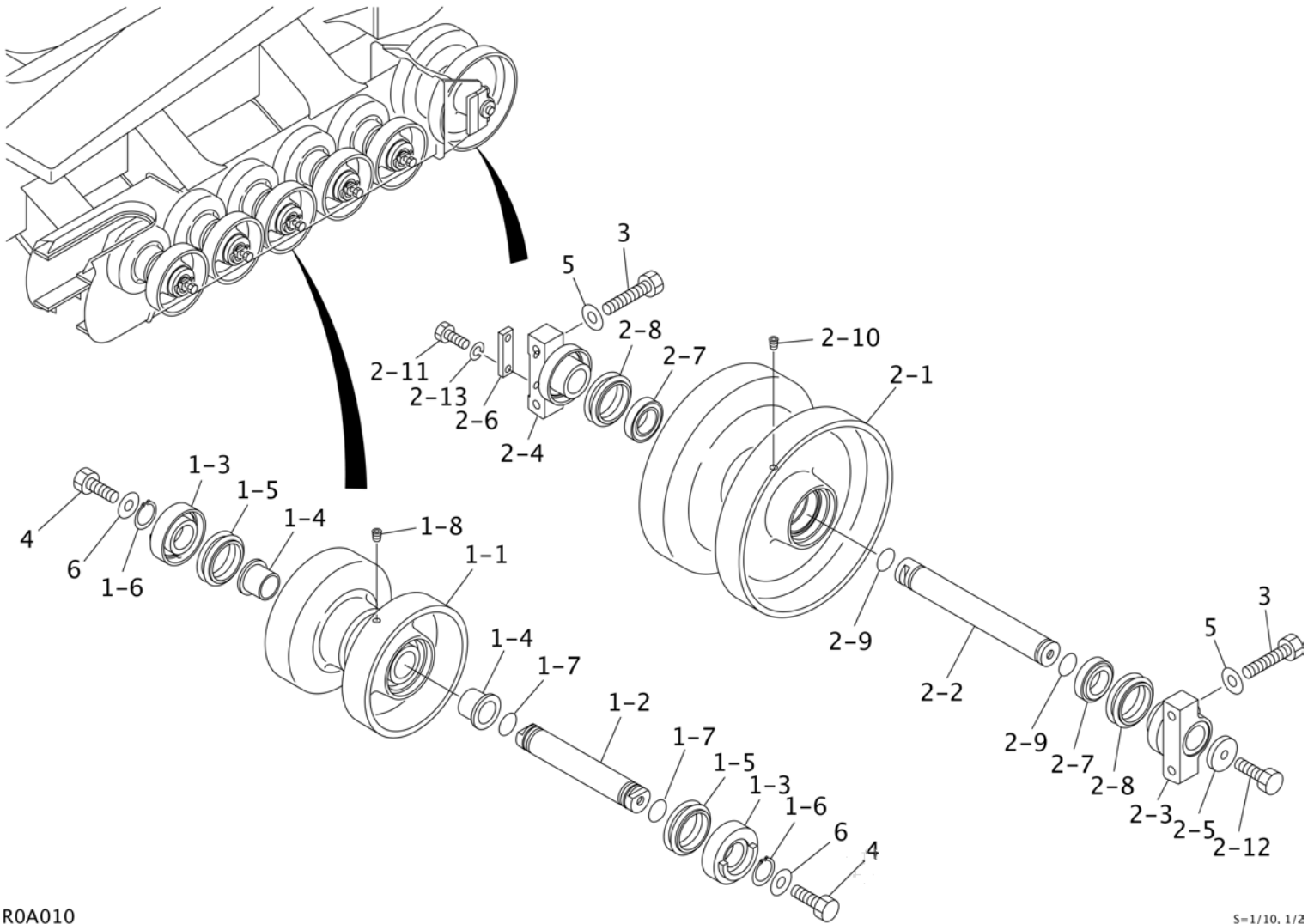
CONTROL VALVE 2	435
CONTROL VALVE (high flow) 1	439
CONTROL VALVE (high flow) 2	443
PILOT VALVE (R.H.)	447
PILOT VALVE (L.H.)	449
HANDLE (with slide switch)	451
HANDLE (with 5 switch)	453
SUB VALVE	455
SOLENOID VALVE; 1 BLOCK	457
SOLENOID VALVE; 1 BLOCK	459
SOLENOID VALVE; 1 BLOCK	461
ELECTRICAL PROPORTION VALVE; 1 BLOCK	463
ELECTRICAL PROPORTION VALVE; 2 BLOCKS	465
ELECTRICAL PROPORTION VALVE; 2 BLOCKS	467
SELECTOR VALVE (ISO-H pattern)	469
SHUTTLE VALVE	471
LIFT ARM CYLINDER	473
BUCKET CYLINDER (L.H.)	475
BUCKET CYLINDER (R.H.)	477
QUICK HITCH CYLINDER (412000006-412000518)	479
TRAVEL MOTOR 1	481
TRAVEL MOTOR 2	483
TRAVEL MOTOR 3	485
HYDRAULIC PUMP 1	487
HYDRAULIC PUMP 2	489
HYDRAULIC PUMP 3	491
HYDRAULIC PUMP 4	493
HYDRAULIC PUMP 5	495
GEAR PUMP	497
GEAR PUMP (high flow)	499

ENGINE V3800-TIEF4B-TLTU-1 (KUBOTA) S/N 412000006-

CRANK CASE	501
OIL PAN	503
DIPSTICK AND GUIDE	505
CYLINDER HEAD	507
INLET VALVE AND EXHAUST VALVE	509
ROCKER ARM SHAFT	511
HEAD COVER	513
GEAR CASE	515
PISTON AND CRANKSHAFT	517
CAMSHAFT AND IDLE GEAR SHAFT	519
BEARING CASE COVER	521
FLYWHEEL	523
SUPPLY PUMP	525
FUEL FILTER	527
FUEL FILTER	529
FUEL TUBE	531
SEPARATOR	533
INJECTION PIPE	535
COMMON RAIL	537
ALTERNATOR AND PULLEY	539
ALTERNATOR (COMPONENT PARTS)	541
STARTER	543
STARTER (COMPONENT PARTS)	545
SWITCH/SENSOR	547
INJECTOR HARNESS	549
ELECTRICAL WIRING	551
WIRE HARNESS BRACKET	553
WATER FLANGE AND THERMOSTAT	555

WATER PUMP	557
RESERVE TANK	559
FAN AND PULLEY	561
INLET MANIFOLD	563
AIR CLEANER FLANGE AND THROTTLE VALVE	565
EXHAUST MANIFOLD	567
EGR VALVE	569
EGR COOLER	571
TURBO CHARGER	573
DIESEL PARTICULATE FILTER MUFFLER	575
DIESEL PARTICULATE FILTER MUFFLER (COMPONENT PARTS)	577
DPF CLEANING PROGRAM REV 021418	579
DPF CLEANING ORDER FORM - REV 021418	581
MUFFLER SENSOR	582
PRESSURE PIPE	585
SELECTIVE CATALYTIC REDUCTION MUFFLER	587
SELECTIVE CATALYTIC REDUCTION MUFFLER BASE	589
BREATHER PIPE/SEPARATOR	591
OIL SEPARATOR	593
OIL PIPE (TURBO CHARGE)	595
OIL COOLER	597
OIL FILTER	599
ECU	601
ACCESSORIES AND SERVICE PARTS	603
ACCESSORIES AND SERVICE PARTS	605
ACCESSORIES AND SERVICE PARTS	607
PISTON KIT (OPTION)	609
DIAGMASTER (OPTION)	611
 KITS, ATTACHMENTS & QUICK REFERENCE	
BUCKETS-BLADES-ATTACHMENTS	613
BLOCK HEATERS	615
RECOMMENDED STOCK LIST (TL12V-2)	617
TAKEUCHI FLEET MANAGEMENT COMPONENT GUIDE	619
TFM-FUSE DETAIL 11-18-16	626
TL12-TL150-TL250 UNDERCARRIAGE TRACK KITS	632
Appendix A:Pages Index	635
Appendix B:Parts Index	638

UNDERCARRIAGE TRACK ROLLER (for US) (412000006-412000578)

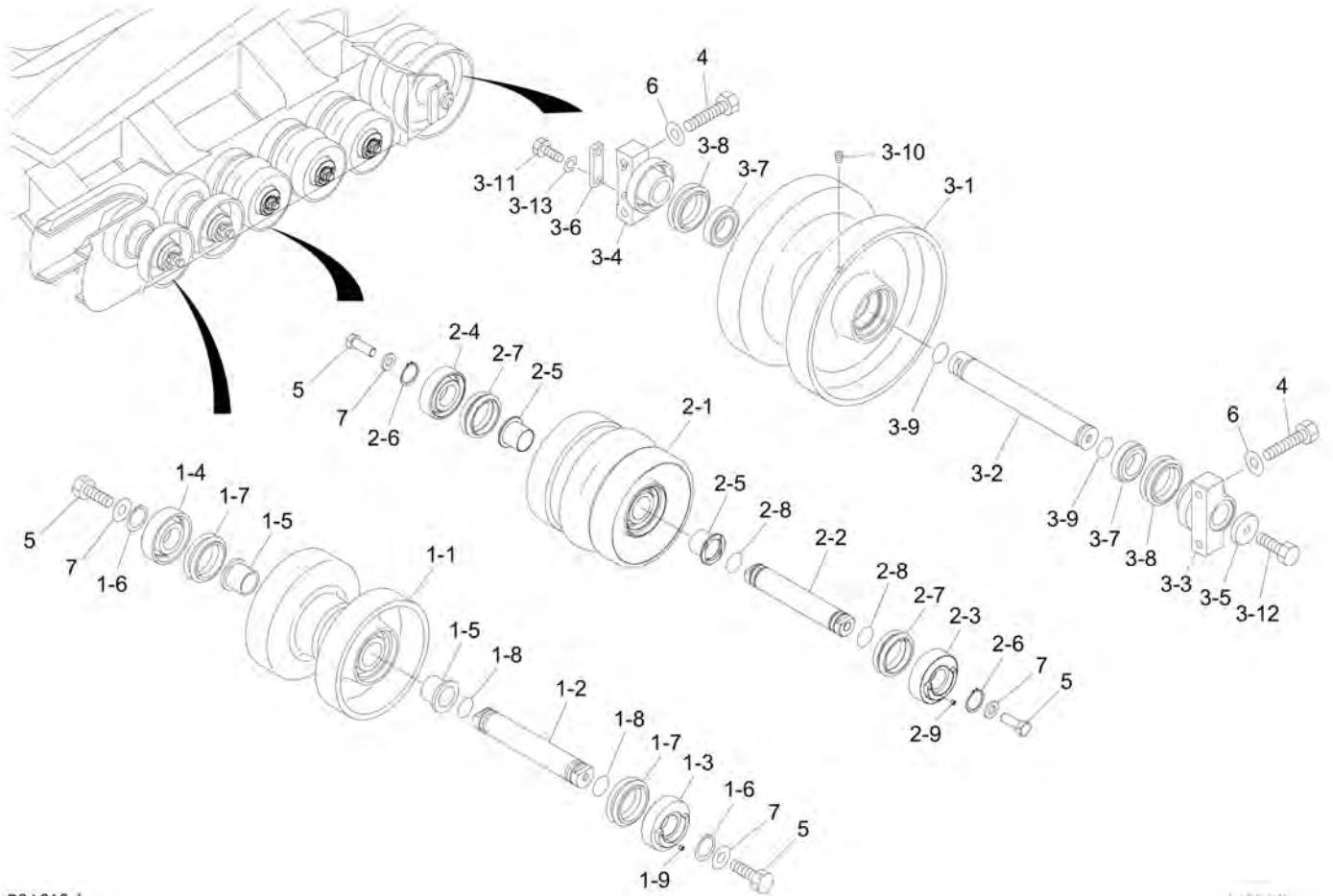


ROA010

S=1/10, 1/2

Item	Part No.	Name	Qty	Uom	Remarks	Serial Number
-	PNNA	ROLLER ASSY, track		EA		
1	AU0881130500	ROLLER SUB ASSY, track (AFTERMARKET)(CHECK MODELS)	10	EA	FOR MODELS: TL140, TL150, TL240, TL250, TL10, TL12, TL12R/V2	
1	0881130500	ROLLER (A) SUB ASSY, track	10	EA	FOR MODELS: TL140, TL150, TL240, TL250, TL10, TL12, TL12R/V2	
1-1	0881130510	ROLLER	1	EA		
1-2	0881130520	SHAFT	1	EA		
1-3	0881130530	COVER	2	EA		
1-4	1333064039	BUSHING	2	EA		
1-5	1432500640	SEAL, floating (2 PIECES = 1 SEAL)	2	EA		
1-6	1220000040	RING, snap	2	EA		
1-7	1420100350	O-RING	2	EA		
1-8	1501820001	PLUG	1	EA		
2	AU0881131300	ROLLER SUB ASSY, track (AFTERMARKET)(CHECK MODELS)	2	EA	FOR MODELS: TL140, TL150, TL10, TL12, TL12R/V-2, TL240, TL250	
2	0881131300	ROLLER (B) SUB ASSY, track (REAR)	2	EA	FOR MODELS: TL140, TL150, TL10, TL12, TL12R/V-2, TL240, TL250	
2-1	0881131310	ROLLER	1	EA		
2-2	0881131320	SHAFT	1	EA		
2-3	0881131330	COVER	1	EA		
2-4	0881131340	COVER	1	EA		
2-5	0881131350	PLATE	1	EA		
2-6	0881131360	PLATE	1	EA		
2-7	1305000004	BEARING	2	EA		
2-8	1432500640	SEAL, floating (2 PIECES = 1 SEAL)	2	EA		
2-9	1420100350	O-RING	2	EA		
2-10	1501820001	PLUG	1	EA		
2-11	1100051030	BOLT	2	EA		
2-12	1106241440	BOLT	1	EA		
2-13	1140020010	WASHER, spring	2	EA		
3	1100041460	BOLT	8	EA		
4	1100051645	BOLT (10TM16 X 45 P/2.0)	20	EA		
5	1141550014	WASHER (M14)	8	EA		
6	1141550016	WASHER (HEAT M16)	20	EA		

UNDERCARRIAGE TRACK ROLLER (for US) (412000579-412000918)



ROA010-1

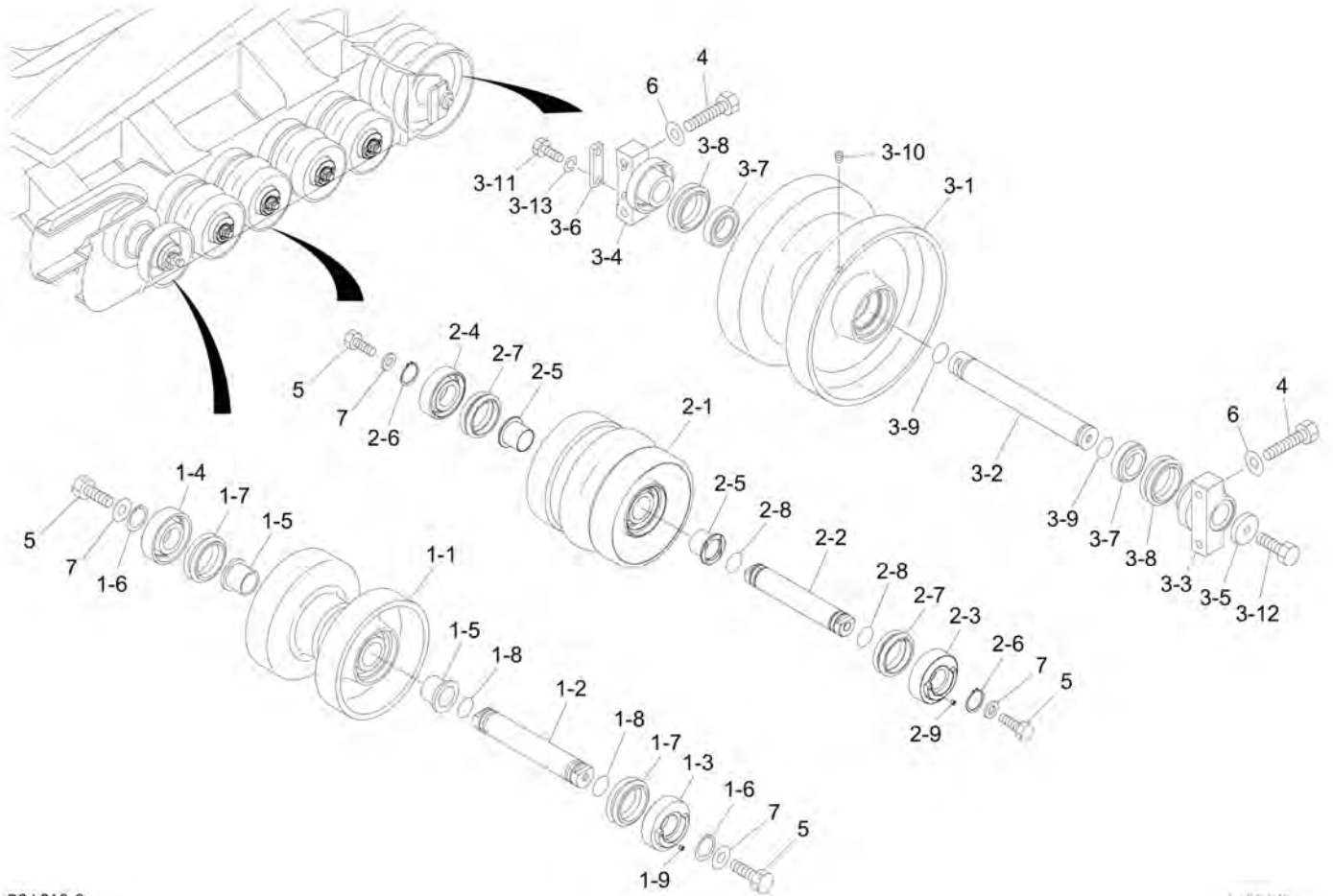
3/17/10, 1/20

Item	Part No.	Name	Qty	Uom	Remarks	Serial Number
-	PNNA	ROLLER ASSY, track		EA		
1	0691300019	ROLLER (A) SUB ASSY, track	4	EA		
1-1	0691300020	ROLLER	1	EA		
1-2	0691300025	SHAFT	1	EA		
1-3	0691300026	COVER	1	EA		
1-4	0881130530	COVER	1	EA		
1-5	1333064039	BUSHING	2	EA		
1-6	1220000040	RING, snap	2	EA		
1-7	1432500640	SEAL, floating (2 PIECES = 1 SEAL)	2	EA		
1-8	1420100350	O-RING	2	EA		
1-9	1501840000	PLUG	1	EA		
2	0691300016	ROLLER (C) SUB ASSY, track	6	EA		
2-1	0691300017	ROLLER	1	EA		
2-2	0691300025	SHAFT	1	EA		
2-3	0691300026	COVER	1	EA		
2-4	0881130530	COVER	1	EA		
2-5	1333064039	BUSHING	2	EA		
2-6	1220000040	RING, snap	2	EA		
2-7	1432500640	SEAL, floating (2 PIECES = 1 SEAL)	2	EA		
2-8	1420100350	O-RING	2	EA		
2-9	1501840000	PLUG	1	EA		
3	0691300022	ROLLER (B) SUB ASSY, track (TRACK ROLLER)	2	EA		
3-1	0691300023	ROLLER	1	EA		
3-2	0881131320	SHAFT	1	EA		
3-3	0881131330	COVER	1	EA		
3-4	0881131340	COVER	1	EA		
3-5	0881131350	PLATE	1	EA		
3-6	0881131360	PLATE	1	EA		
3-7	1305000004	BEARING	2	EA		
3-8	1432500640	SEAL, floating (2 PIECES = 1 SEAL)	2	EA		
3-9	1420100350	O-RING	2	EA		
3-10	1501820001	PLUG	1	EA		
3-11	1100051030	BOLT	2	EA		
3-12	1106241440	BOLT	1	EA		
3-13	1140020010	WASHER, spring	2	EA		
4	1100041460	BOLT	8	EA		
5	1101041645	BOLT	20	EA		

This page intentionally left blank

Item	Part No.	Name	Qty	Uom	Remarks	Serial Number
6	1141550014	WASHER (M14)	8	EA		
7	1141550016	WASHER (HEAT M16)	20	EA		

UNDERCARRIAGE TRACK ROLLER (for US) (412000919-)



ROA010-2

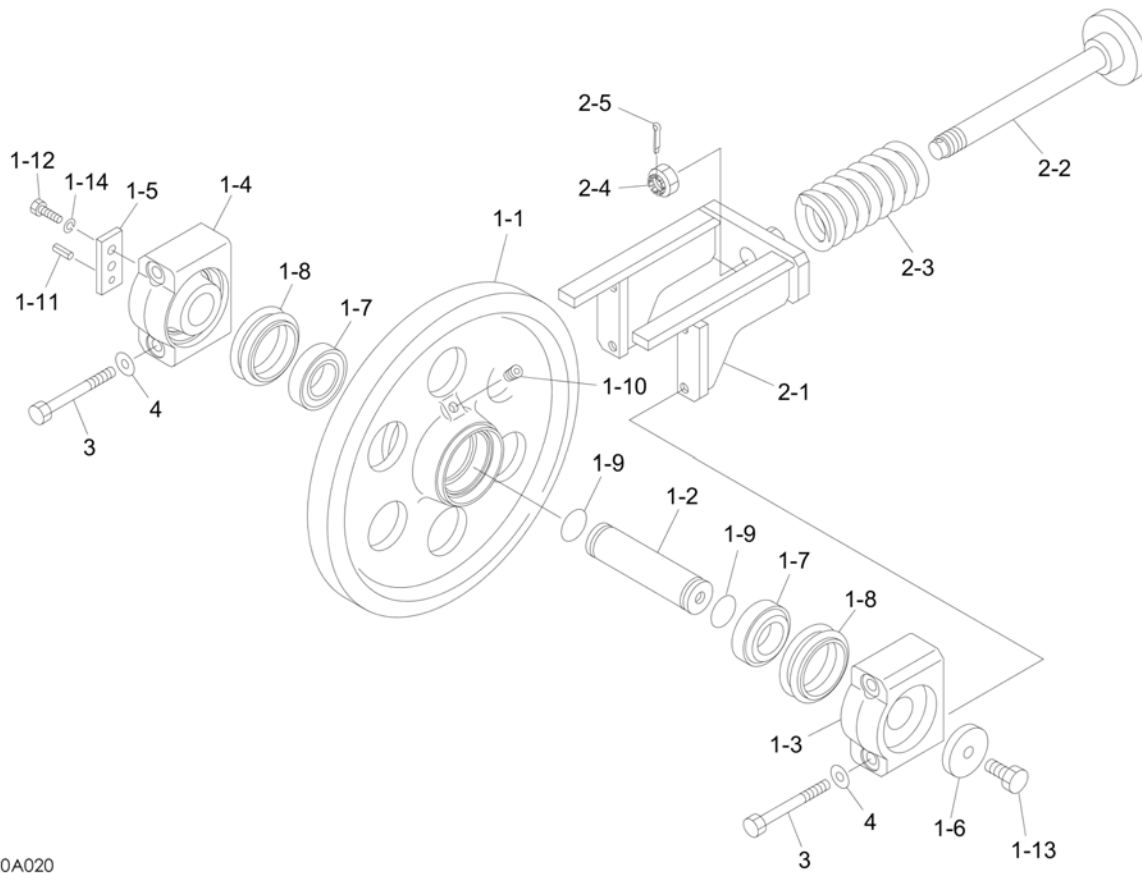
3/17/16, 1/20

Item	Part No.	Name	Qty	Uom	Remarks	Serial Number
-	PNNA	ROLLER ASSY, track		EA		
1	0691300019	ROLLER (A) SUB ASSY, track	2	EA		
1-1	0691300020	ROLLER	1	EA		
1-2	0691300025	SHAFT	1	EA		
1-3	0691300026	COVER	1	EA		
1-4	0881130530	COVER	1	EA		
1-5	1333064039	BUSHING	2	EA		
1-6	1220000040	RING, snap	2	EA		
1-7	1432500640	SEAL, floating (2 PIECES = 1 SEAL)	2	EA		
1-8	1420100350	O-RING	2	EA		
1-9	1501840000	PLUG	1	EA		
2	0691300016	ROLLER (C) SUB ASSY, track	8	EA		
2-1	0691300017	ROLLER	1	EA		
2-2	0691300025	SHAFT	1	EA		
2-3	0691300026	COVER	1	EA		
2-4	0881130530	COVER	1	EA		
2-5	1333064039	BUSHING	2	EA		
2-6	1220000040	RING, snap	2	EA		
2-7	1432500640	SEAL, floating (2 PIECES = 1 SEAL)	2	EA		
2-8	1420100350	O-RING	2	EA		
2-9	1501840000	PLUG	1	EA		
3	0691300022	ROLLER (B) SUB ASSY, track (TRACK ROLLER)	2	EA		
3-1	0691300023	ROLLER	1	EA		
3-2	0881131320	SHAFT	1	EA		
3-3	0881131330	COVER	1	EA		
3-4	0881131340	COVER	1	EA		
3-5	0881131350	PLATE	1	EA		
3-6	0881131360	PLATE	1	EA		
3-7	1305000004	BEARING	2	EA		
3-8	1432500640	SEAL, floating (2 PIECES = 1 SEAL)	2	EA		
3-9	1420100350	O-RING	2	EA		
3-10	1501820001	PLUG	1	EA		
3-11	1100051030	BOLT	2	EA		
3-12	1106241440	BOLT	1	EA		
3-13	1140020010	WASHER, spring	2	EA		
4	1100041460	BOLT	8	EA		
5	1101041645	BOLT	20	EA		

This page intentionally left blank

Item	Part No.	Name	Qty	Uom	Remarks	Serial Number
6	1141550014	WASHER (M14)	8	EA		
7	1141550016	WASHER (HEAT M16)	20	EA		

UNDERCARRIAGE FRONT IDLER (for US) (412000006-412000578)

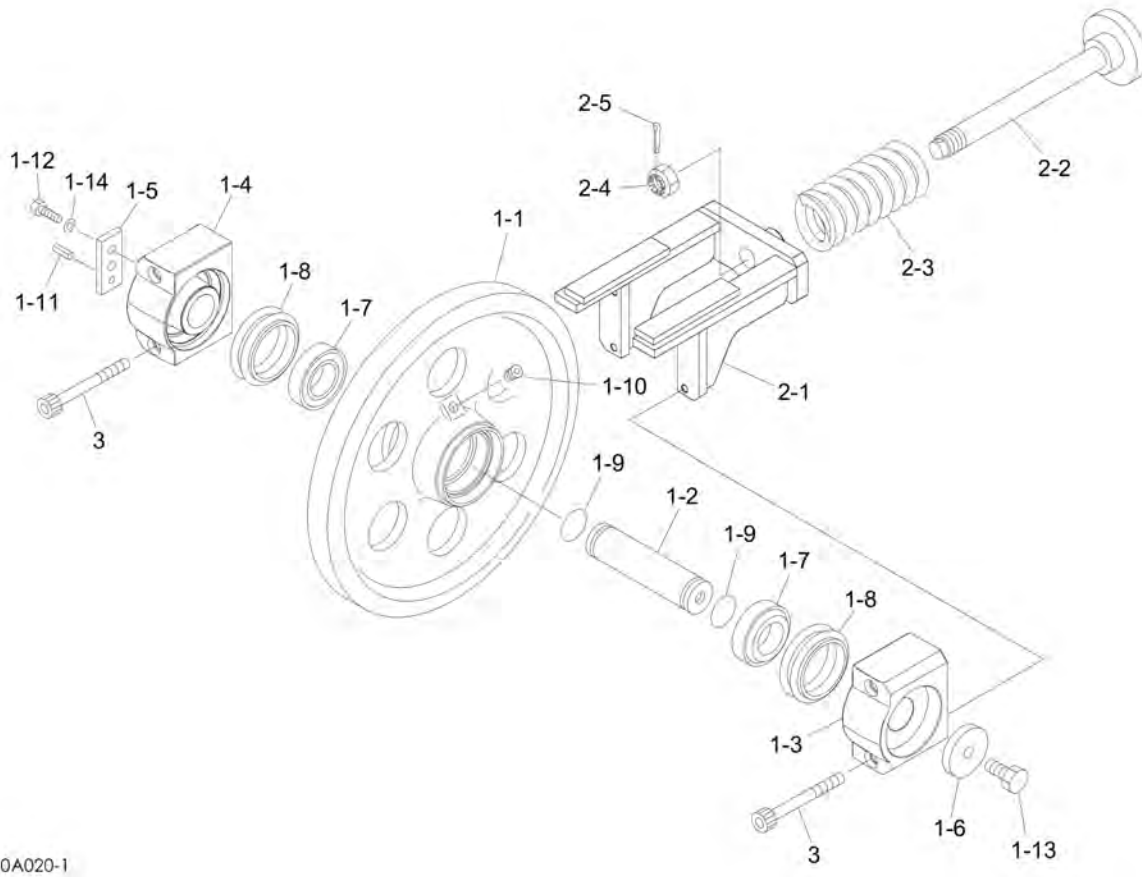


ROA020

S=1/8

Item	Part No.	Name	Qty	Uom	Remarks	Serial Number
-	PNNA	IDLER ASSY, front		EA		
0-1	*****	IDLER SUB ASSY, front	2	EA		
1	AU0881140300	IDLER ASSY, front (AFTERMARKET) (CHECK MODELS)	1	EA	FOR MODELS: TL140, TL150, TL240, TL250, TL10, TL12, TL12R/V-2	
1	0881140300	IDLER ASSY, front	1	EA	FOR MODELS: TL140, TL150, TL240, TL250, TL10, TL12, TL12R/V-2	
1-1	0881140310	IDLER	1	EA		
1-2	0881140320	SHAFT	1	EA		
1-3	0881140330	COVER	1	EA		
1-4	0881140340	COVER	1	EA		
1-5	0881140350	PLATE	1	EA		
1-6	0881140360	PLATE	1	EA		
1-7	1305000005	BEARING (FRONT IDLER)	2	EA		
1-8	1432500800	SEAL, floating (2 PIECES = 1 SEAL)	2	EA		
1-9	1420100400	O-RING	2	EA		
1-10	1501820001	PLUG	1	EA		
1-11	1213001026	PIN, spring	1	EA		
1-12	1100051030	BOLT	2	EA		
1-13	1106041635	BOLT	1	EA		
1-14	1140020010	WASHER, spring	2	EA		
2	0691500028	SPRING ASSY (SHOCK ABSORBING)	1	EA		
2-1	0691500032	YOKE, slide	1	EA		
2-2	0691500033	ROD	1	EA		
2-3	0541500500	SPRING	1	EA		
2-4	0691500034	NUT	1	EA		
2-5	1210000655	PIN, cotter (M6 X 55)	1	EA		
3	1101141420	BOLT	4	EA		
4	1141550014	WASHER (M14)	4	EA		

UNDERCARRIAGE FRONT IDLER (for US) (412000579-)

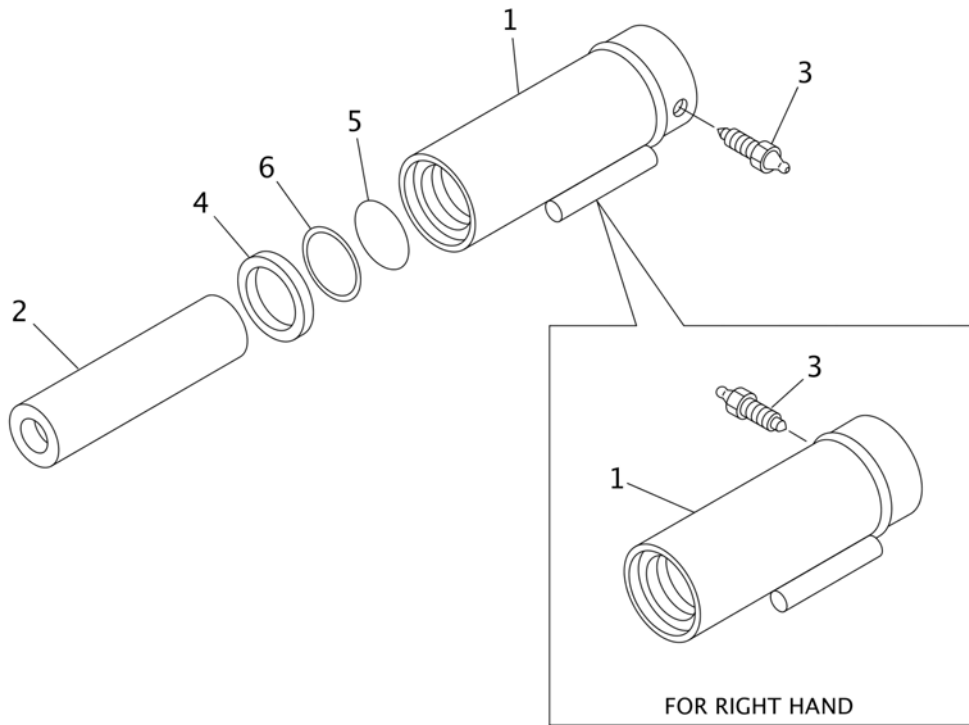


ROA020-1

3-148

Item	Part No.	Name	Qty	Uom	Remarks	Serial Number
-	PNNA	IDLER ASSY, front		EA		
0-1	*****	IDLER SUB ASSY, front	2	EA		
1	0691400032	IDLER, front	1	EA		
1-1	0881140310	IDLER	1	EA		
1-2	0881140320	SHAFT	1	EA		
1-3	0691400033	COVER	1	EA		
1-4	0691400034	COVER	1	EA		
1-5	0881140350	PLATE	1	EA		
1-6	0881140360	PLATE	1	EA		
1-7	1305000005	BEARING (FRONT IDLER)	2	EA		
1-8	1432500800	SEAL, floating (2 PIECES = 1 SEAL)	2	EA		
1-9	1420100400	O-RING	2	EA		
1-10	1501820001	PLUG	1	EA		
1-11	1213001026	PIN, spring	1	EA		
1-12	1100051030	BOLT	2	EA		
1-13	1106041635	BOLT	1	EA		
1-14	1140020010	WASHER, spring	2	EA		
2	0691500035	SPRING ASSY	1	EA		
2-1	0691500036	YOKE	1	EA		
2-2	0691500033	ROD	1	EA		
2-3	0541500500	SPRING	1	EA		
2-4	0691500034	NUT	1	EA		
2-5	1210000655	PIN, cotter (M6 X 55)	1	EA		
3	1111141410	BOLT	4	EA		

UNDERCARRIAGE TRACK ADJUSTER

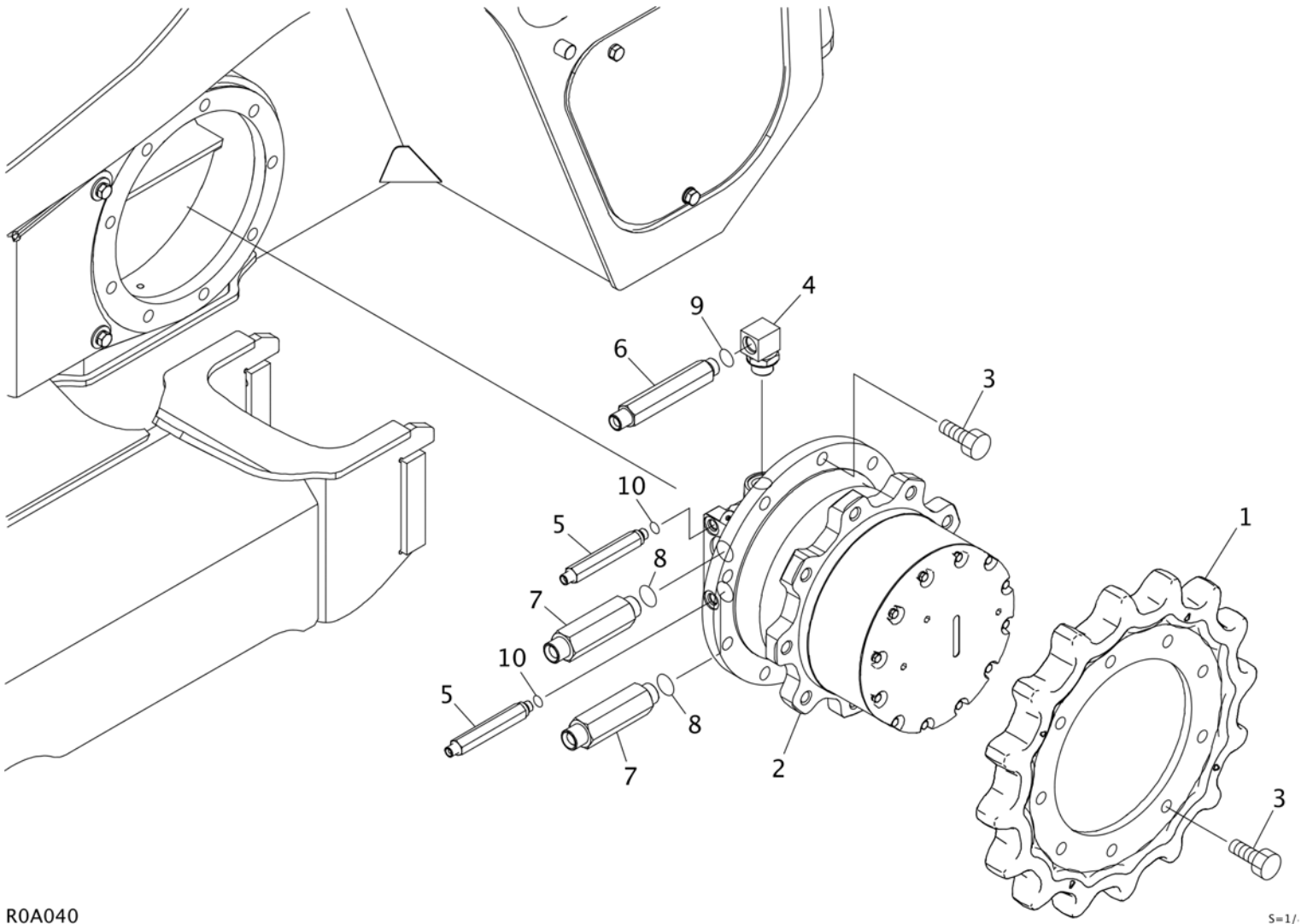


ROA030

S=1/

Item	Part No.	Name	Qty	Uom	Remarks	Serial Number
-	PNNA	CYLINDER ASSY, grease		EA		
0-1	0691500016	CYLINDER SUB ASSY (L.H.), grease (TRACK ADJUSTER)	1	EA		
0-2	0691500017	CYLINDER SUB ASSY (R.H.), grease (TRACK ADJUSTER)	1	EA		
1	0691500018	CYLINDER, grease (L.H)	1	EA		
1	0691500019	CYLINDER, grease (R.H)	1	EA		
2	0881152200	PISTON	1	EA		
3	1541300501	VALVE ASSY, check	1	EA		
4	1400403203	SEAL, oil	1	EA		
5	1422010600	O-RING	1	EA		
6	1421020600	RING, back-up	1	EA		

UNDERCARRIAGE TRAVEL DEVICE (for US)

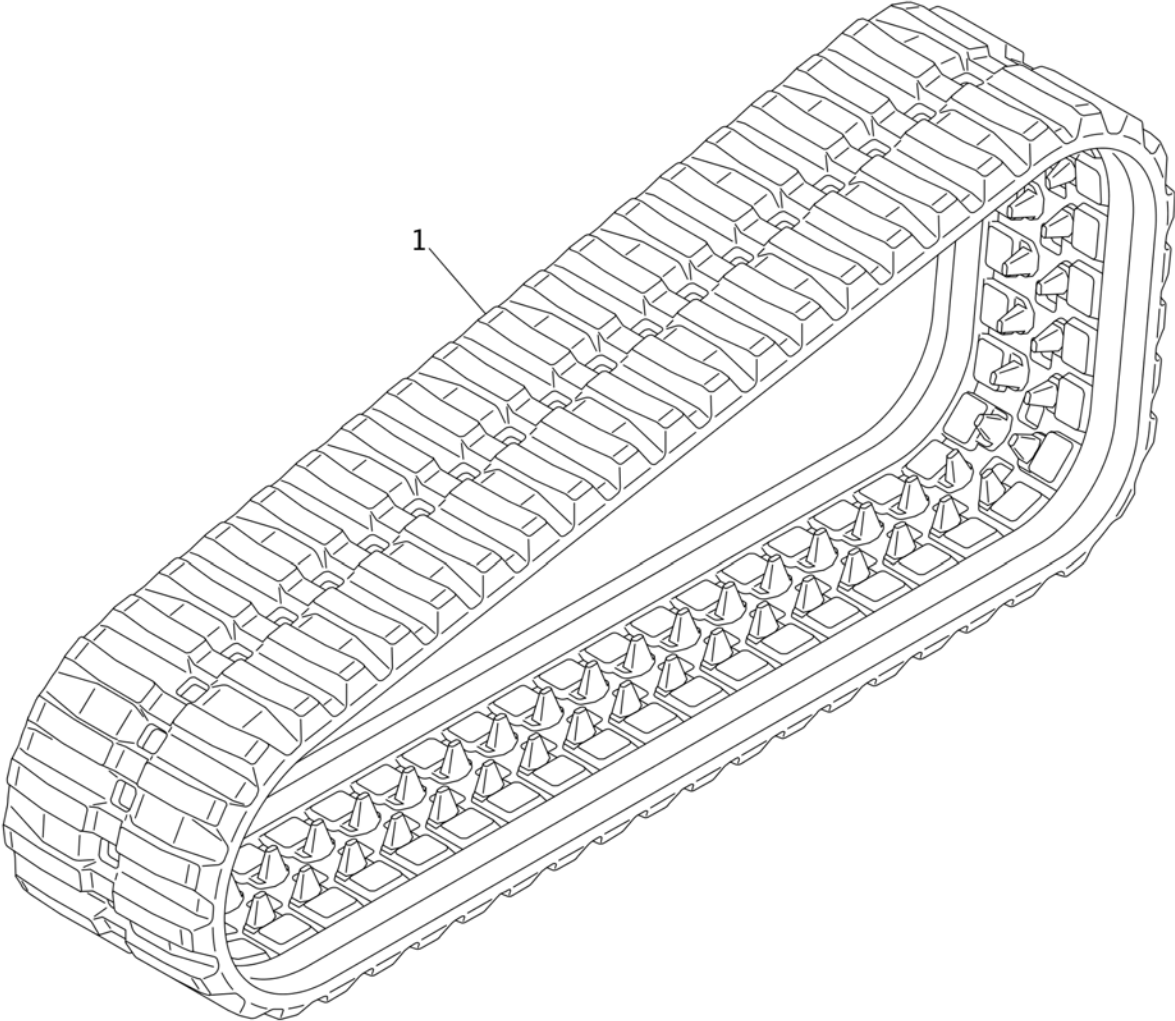


R0A040

S=1/.

Item	Part No.	Name	Qty	Uom	Remarks	Serial Number
-	PNNA	MOTOR ASSY, travel		EA		
1	0691600011	SPROCKET (SEE NOTES FOR MATCHING TRACK PART #'S)	2	EA	FOR MODELS: TL12V/R-2; MATCHING TRACK FOR #ATTL12VTAK, #ATTL12TAKSB & 1914099830	412000579~
2	1903132000	MOTOR, travel	2	EA		
3	1100051635	BOLT, hex (16X35)	36	EA		
4	1513300020	ELBOW	2	EA		
4	1420010240	O-RING	1	EA		
5	0007203095	ADAPTOR	4	EA		
6	0007203068	ADAPTOR	2	EA		
7	0882160210	ADAPTOR	4	EA		
8	1420010240	O-RING	4	EA		
9	1420010180	O-RING	2	EA		
10	1420010110	O-RING	4	EA		

UNDERCARRIAGE CRAWLER BELT (for US)

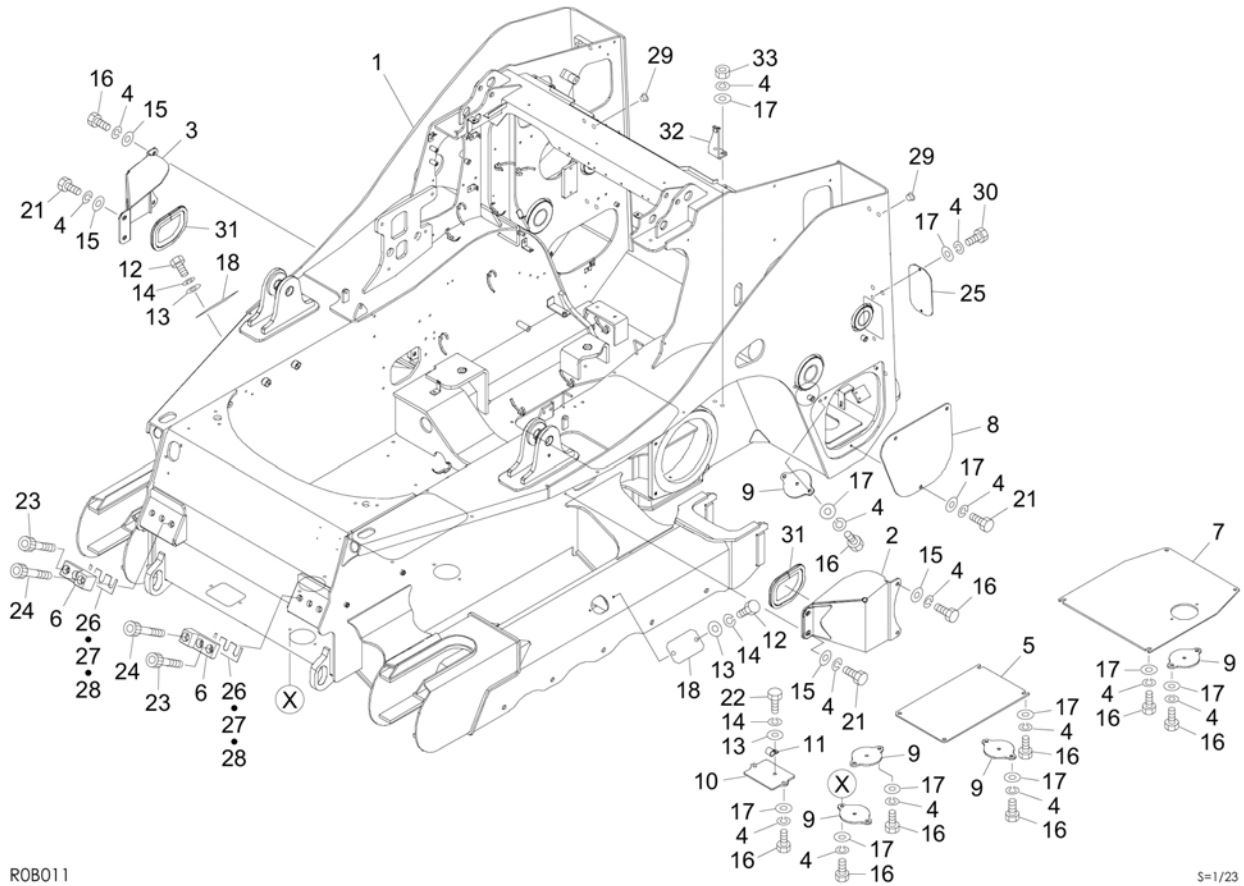


T7A060

S=1/12

Item	Part No.	Name	Qty	Uom	Remarks	Serial Number
-	PNNA	BELT ASSY, rubber crawler		EA		
1	1914099850	RUBBER TRACK (AGGRESSIVE BAR) (CHECK MODELS)	2	EA	FOR MODELS: TL12V-2 (FUKUYAMA STYLE)	412000006-412000578
1	1914099830	RUBBER TRACK (FLAT BLOCK) (CHECK MODELS)	2	EA	FOR MODELS: TL12V/R-2 (MUST USE PART # 0691600011 SPROCKET WITH THIS TRACK)	412000579-412000932
1	ATTL12VTAK	RUBBER TRACK (C-LUG) (AFTERMARKET)(CHECK MODELS)	2	EA	FOR MODELS: TL12V/R-2 (MUST USE PART # 0691600011 SPROCKET WITH THIS TRACK)	TL12V2 412000579-; TL12R2-ALL S/N
1	ATTL12VTAKSB	RUBBER TRACK(STRAIGHT BAR)(AFTERMARKET)(CK MODELS)	2	EA	FOR MODELS: TL12V/R-2 (MUST USE PART # 0691600011 SPROCKET WITH THIS TRACK)	TL12V2 412000579-; TL12R2-ALL S/N

MAIN FRAME & CONTROL LEVER FRAME

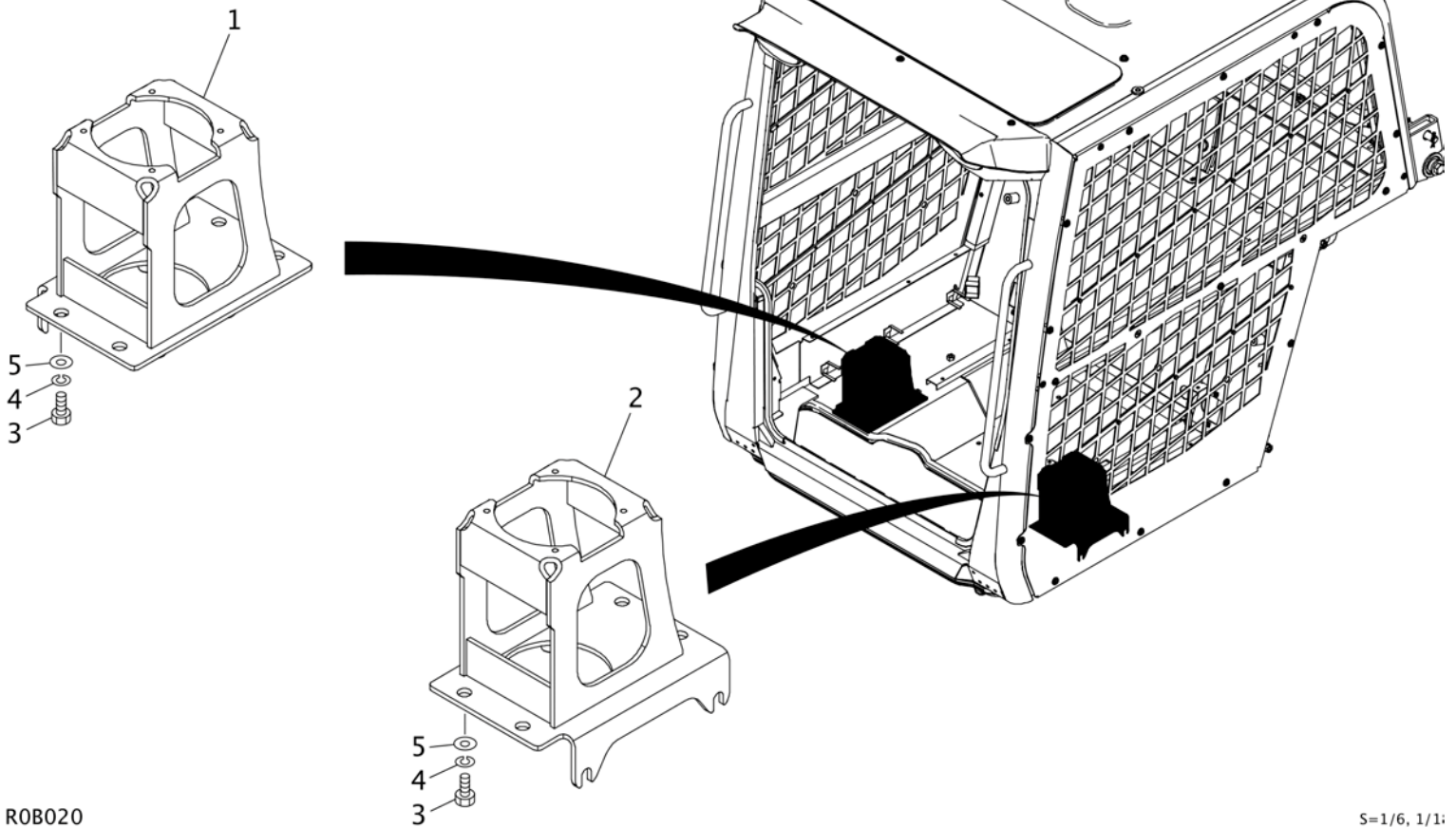


ROB011

S=1/23

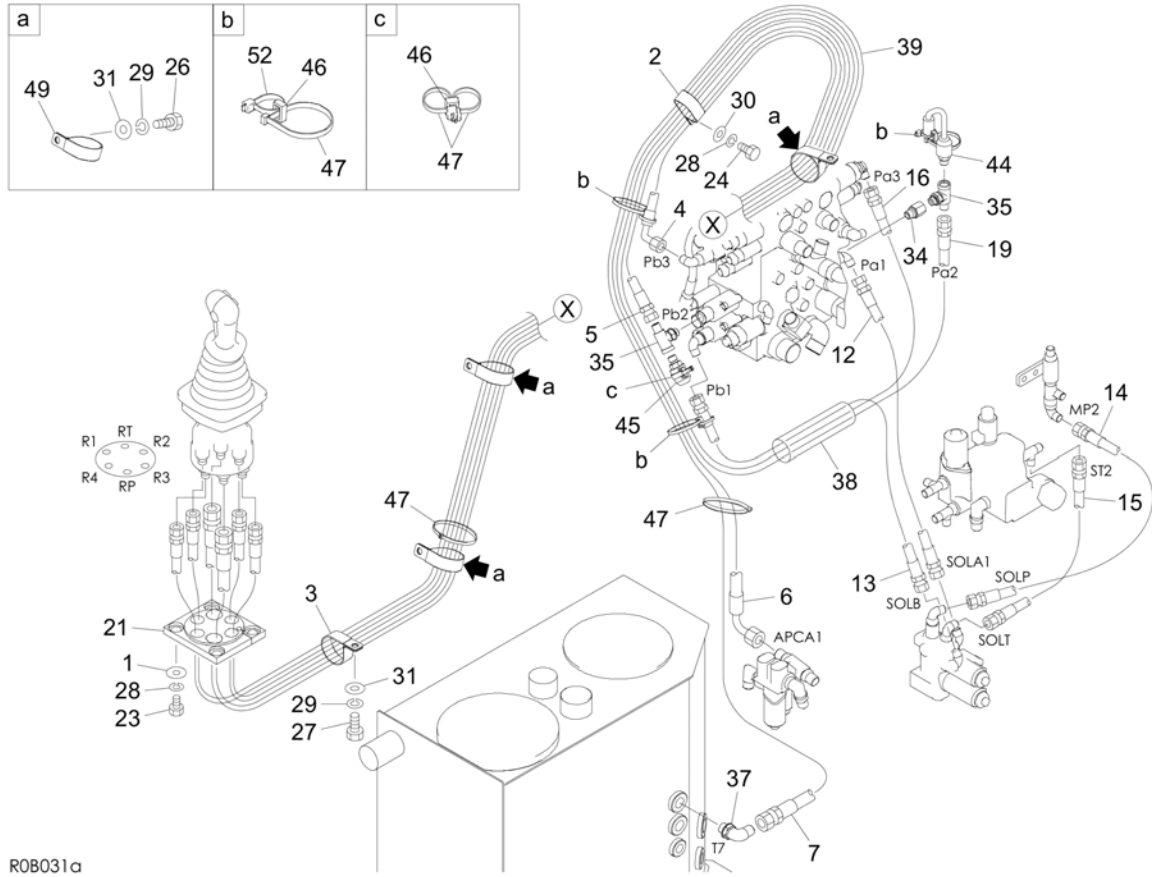
Item	Part No.	Name	Qty	Uom	Remarks	Serial Number
-	PNNA	FRAME ASSY		EA		
1	*****	FRAME	1	EA		
2	0693000433	COVER (L.H.)	1	EA		412000006~412000572, 412000573~
3	0693000434	COVER (R.H.)	1	EA		412000006~412000572, 412000573~
4	1140020010	WASHER, spring	35	EA		
5	0693000141	COVER	1	EA		
6	0881602910	STOPPER, arm	2	EA		
7	0693000303	COVER	1	EA		
8	0693000238	COVER	1	EA		
9	0881302095	COVER	5	EA		
10	0693000145	COVER	1	EA		
11	1711900128	CLAMP	1	EA		
12	1100090816	BOLT	4	EA		
13	1141110008	WASHER	5	EA		
14	1140020008	WASHER, spring	5	EA		
15	0003600020	WASHER	8	EA		
16	1100041020	BOLT	24	EA		
17	1141110010	WASHER, plain	27	EA		
18	0331018600	COVER	2	EA		
21	1100051025	BOLT (10TM10 X 25 P/1.5)	7	EA		
22	1100050820	BOLT (10TM8 X 20 P/1.25)	1	EA		
23	1110042040	SCREW, cap	4	EA		
24	1110042070	SCREW, cap	2	EA		
25	0693000339	PLATE	1	EA		
26	0881602950	SHIM (t=0.5)	1	EA	t=0.5mm	
27	0881600950	SHIM (t=1.0)	1	EA	t=1.0mm	
28	0881602960	SHIM	1	EA	t=3.2mm	
29	1652533023	CAP	12	EA		
30	1100051016	BOLT	2	EA		
31	1654625046	TRIM	2	EA	sold by the meter	
32	0693000411	PLATE	1	EA		412000572~
33	1130240010	NUT	2	EA		412000572~

MAIN FRAME & CONTROL LEVER VALVE BRACKET



Item	Part No.	Name	Qty	Uom	Remarks	Serial Number
Not Shown	PNNA	VALVE BRACKET ASSY		EA		
1	0695100026	BRACKET (R.H.)	1	EA		
2	0695100027	BRACKET (L.H.)	1	EA		
3	1100051025	BOLT (10TM10 X 25 P/1.5)	8	EA		
4	1140020010	WASHER, spring	8	EA		
5	1141110010	WASHER, plain	8	EA		

MAIN FRAME & CONTROL LEVER PIPING; OPERATION LEVEL 1



ROB031a

S=1/5. 1/10

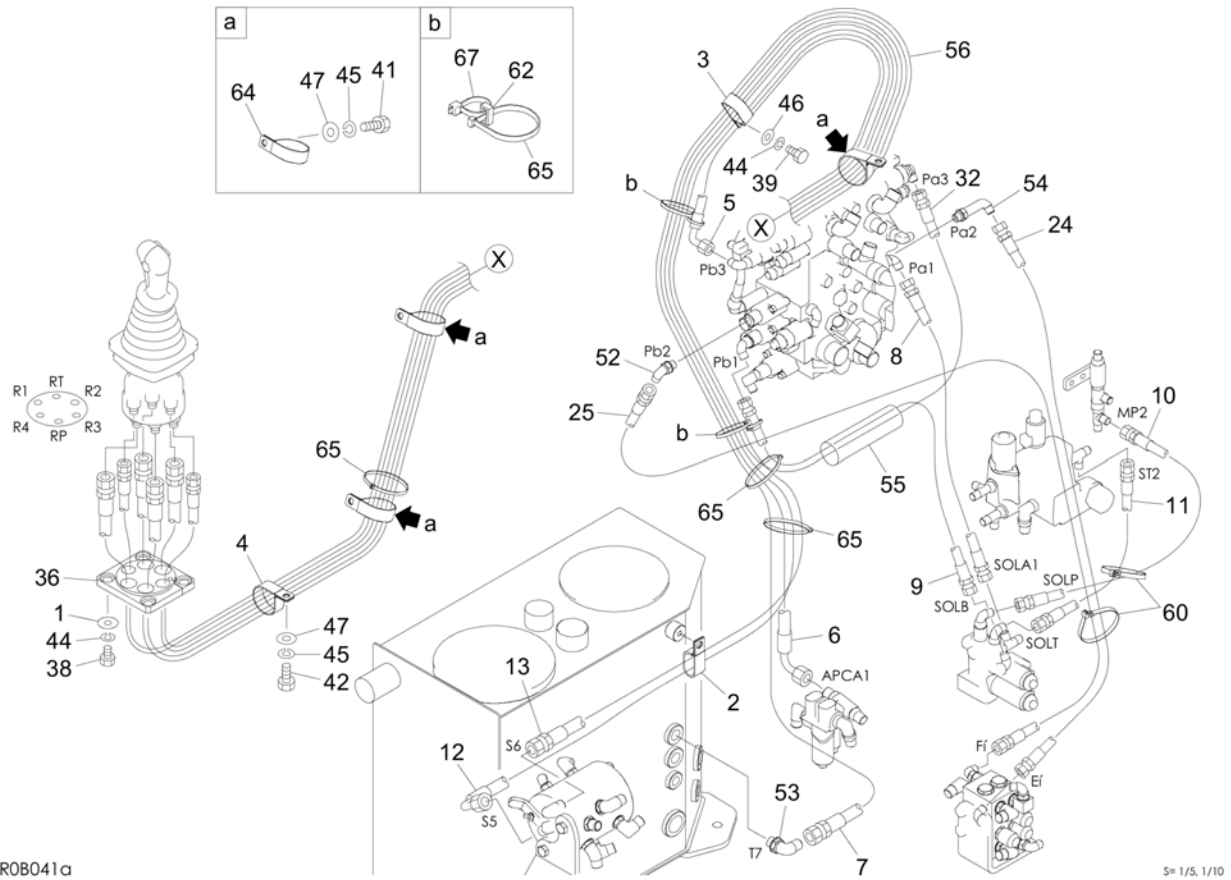
Item	Part No.	Name	Qty	Uom	Remarks	Serial Number
-	PNNA	PIPING ASSY		EA		
1	0003608252	WASHER	8	EA		
2	0007300065	CLAMP	1	EA		
3	0007300069	CLAMP	3	EA		
4	0697100003	HOSE ASSY	1	EA	18010-52190	
5	0697100006	HOSE ASSY	1	EA	18010-22204	
6	0697100007	HOSE ASSY	1	EA	18010-53260	
7	0697100008	HOSE ASSY	1	EA	18010-23285	
12	0697100016	HOSE ASSY	1	EA	18010-22054	
13	0697100017	HOSE ASSY	1	EA	18010-22075	
14	0697100018	HOSE ASSY	1	EA	18010-22030	
15	0697100019	HOSE ASSY	1	EA	18010-22022	
16	0697100062	HOSE ASSY	1	EA	18010-22286	
19	0697100066	HOSE ASSY	1	EA	18010-22272	
21	0697100068	GROMMET	1	EA		
23	1100050814	BOLT (10TM8 X 14 P/1.25)	8	EA		
24	1100090816	BOLT	2	EA		
26	1100041020	BOLT	5	EA		
27	1100051025	BOLT (10TM10 X 25 P/1.5)	1	EA		
28	1140020008	WASHER, spring	11	EA		
29	1140020010	WASHER, spring	6	EA		
30	1141110008	WASHER	3	EA		
31	1141110010	WASHER, plain	6	EA		
34	1513250202	BUSHING	1	EA		
34	1420010110	O-RING	1	EA		
35	1513390029	TEE	2	EA		
35	1420010110	O-RING	1	EA		
37	1515010041	ELBOW	2	EA		
37	1420010140	O-RING	1	EA		
38	1531335016	PROTECTOR	1	EA	sold by the meter	
39	1531532057	PROTECTOR	1	EA	sold by the meter	
44	1700100041	SWITCH, pressure	1	EA		
44	1420010110	O-RING	1	EA		
45	1700100060	SWITCH, pressure	1	EA		
45	1420010110	O-RING	1	EA		
46	1652200010	RING	10	EA		
47	1652201007	BAND	14	EA		
49	0007300030	CLAMP	3	EA		

This page intentionally left blank

Item	Part No.	Name	Qty	Uom	Remarks	Serial Number
52	1652201005	BAND	16	EA		

Item	Part No.	Name	Qty	Uom	Remarks	Serial Number
-	PNNA	PIPING ASSY		EA		
1	0003608252	WASHER	8	EA		
3	0007300069	CLAMP	3	EA		
8	0697100009	HOSE ASSY	1	EA	18010-23317	
9	0697100011	HOSE ASSY	1	EA	18010-23333	
10	0697100012	HOSE ASSY	1	EA	18010-23316	
11	0697100013	HOSE ASSY	1	EA	18010-23330	
17	0697100063	HOSE ASSY	1	EA	18010-89378	
18	0697100064	HOSE ASSY	1	EA	18010-23367	
20	0697100067	GROMMET	1	EA		
22	0697100071	GUIDE	1	EA		
23	1100050814	BOLT (10TM8 X 14 P/1.25)	8	EA		
24	1100090816	BOLT	2	EA		
25	1100050820	BOLT (10TM8 X 20 P/1.25)	1	EA		
26	1100041020	BOLT	5	EA		
28	1140020008	WASHER, spring	11	EA		
29	1140020010	WASHER, spring	6	EA		
30	1141110008	WASHER	3	EA		
31	1141110010	WASHER, plain	6	EA		
32	1512330005	ELBOW	2	EA		
32	1420310906	O-RING (ARP568-906-1B)	1	EA		
33	1512375006	ELBOW	2	EA		
33	1420310906	O-RING (ARP568-906-1B)	1	EA		
36	1515012040	ELBOW	1	EA		
36	1420010110	O-RING	1	EA		
37	1515010041	ELBOW	2	EA		
37	1420010140	O-RING	1	EA		
42	1652231250	BAND (1st aux. Proportion)	1	EA		
43	1700100015	SWITCH, pressure	2	EA		
46	1652200010	RING	10	EA		
47	1652201007	BAND	14	EA		
52	1652201005	BAND	16	EA		
53	1531532185	PROTECTOR	1	EA		

MAIN FRAME & CONTROL LEVER PIPING; OPERATION LEVER (ISO-H pattern) 1



ROB041a

5/ 1/5. 1/10

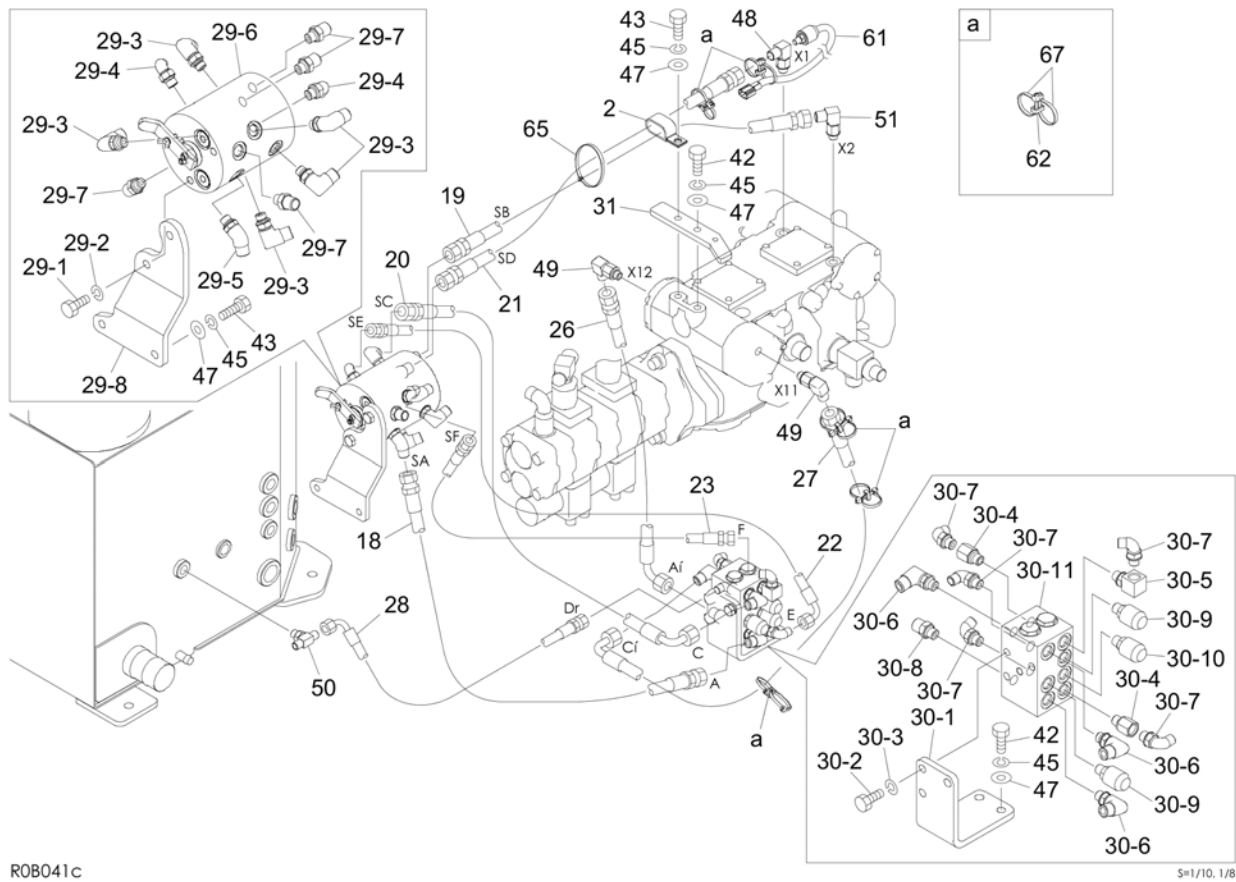
Item	Part No.	Name	Qty	Uom	Remarks	Serial Number
-	PNNA	PIPING ASSY		EA		
1	0003608252	WASHER	8	EA		
2	0007300055	CLAMP	2	EA		
3	0007300065	CLAMP	1	EA		
4	0007300069	CLAMP	4	EA		
5	0697100003	HOSE ASSY	1	EA	18010-52190	
6	0697100007	HOSE ASSY	1	EA	18010-53260	
7	0697100008	HOSE ASSY	1	EA	18010-23285	
8	0697100016	HOSE ASSY	1	EA	18010-22054	
9	0697100017	HOSE ASSY	1	EA	18010-22075	
10	0697100018	HOSE ASSY	1	EA	18010-22030	
11	0697100019	HOSE ASSY	1	EA	18010-22022	
12	0697100021	HOSE ASSY	1	EA	18010-53310	
13	0697100022	HOSE ASSY	1	EA	18010-23315	
24	0697100033	HOSE ASSY	1	EA	18010-22116	
25	0697100034	HOSE ASSY	1	EA	18010-22136	
32	0697100062	HOSE ASSY	1	EA	18010-22286	
36	0697100069	GROMMET	1	EA		
38	1100050814	BOLT (10TM8 X 14 P/1.25)	8	EA		
39	1100090816	BOLT	2	EA		
41	1100041020	BOLT	5	EA		
42	1100051025	BOLT (10TM10 X 25 P/1.5)	5	EA		
44	1140020008	WASHER, spring	11	EA		
45	1140020010	WASHER, spring	13	EA		
46	1141110008	WASHER	3	EA		
47	1141110010	WASHER, plain	13	EA		
52	1515012040	ELBOW	1	EA		
52	1420010110	O-RING	1	EA		
53	1515010041	ELBOW	2	EA		
53	1420010140	O-RING	1	EA		
54	1515012510	ELBOW	1	EA		
54	1420010110	O-RING	1	EA		
55	1531335016	PROTECTOR	1	EA	sold by the meter	
56	1531532057	PROTECTOR	1	EA	sold by the meter	
60	1652231250	BAND (1st aux. Proportion)	4	EA		
62	1652200010	RING	9	EA		
64	0007300030	CLAMP	3	EA		
65	1652201007	BAND	15	EA		

This page intentionally left blank

Item	Part No.	Name	Qty	Uom	Remarks	Serial Number
67	1652201005	BAND	14	EA		

Item	Part No.	Name	Qty	Uom	Remarks	Serial Number
-	PNNA	PIPING ASSY		EA		
1	0003608252	WASHER	8	EA		
4	0007300069	CLAMP	4	EA		
14	0697100023	HOSE ASSY	1	EA	18010-53360	
15	0697100024	HOSE ASSY	1	EA	18010-23365	
16	0697100025	HOSE ASSY	1	EA	18010-23355	
17	0697100026	HOSE ASSY	1	EA	18010-23360	
33	0697100063	HOSE ASSY	1	EA	18010-89378	
34	0697100064	HOSE ASSY	1	EA	18010-23367	
35	0697100067	GROMMET	1	EA		
37	0697100071	GUIDE	1	EA		
38	1100050814	BOLT (10TM8 X 14 P/1.25)	8	EA		
39	1100090816	BOLT	2	EA		
40	1100050820	BOLT (10TM8 X 20 P/1.25)	1	EA		
41	1100041020	BOLT	5	EA		
42	1100051025	BOLT (10TM10 X 25 P/1.5)	5	EA		
44	1140020008	WASHER, spring	11	EA		
45	1140020010	WASHER, spring	13	EA		
46	1141110008	WASHER	3	EA		
47	1141110010	WASHER, plain	13	EA		
53	1515010041	ELBOW	2	EA		
53	1420010140	O-RING	1	EA		
58	1531528020	PROTECTOR	1	EA	sold by the meter	
60	1652231250	BAND (1st aux. Proportion)	4	EA		
62	1652200010	RING	9	EA		
65	1652201007	BAND	15	EA		
67	1652201005	BAND	14	EA		
68	1531532185	PROTECTOR	1	EA		

MAIN FRAME & CONTROL LEVER PIPING; OPERATION LEVER (ISO-H pattern) 3



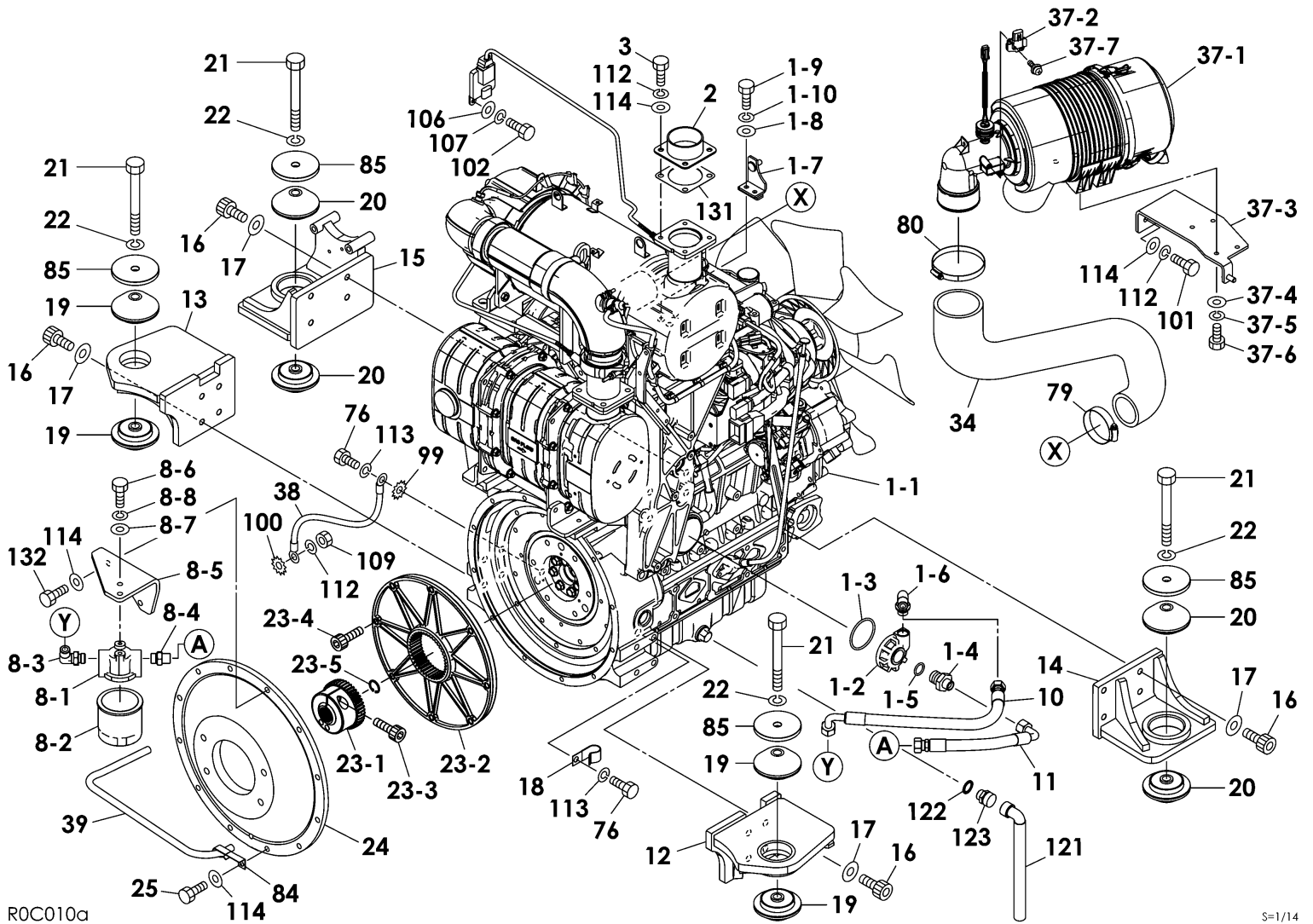
ROB041c

S=1/10. 1/8

Item	Part No.	Name	Qty	Uom	Remarks	Serial Number
-	PNNA	PIPING ASSY		EA		
2	0007300055	CLAMP	2	EA		
18	0697100027	HOSE ASSY	1	EA	18010-23068	
19	0697100028	HOSE ASSY	1	EA	18010-23066	
20	0697100029	HOSE ASSY	1	EA	18010-53064	
21	0697100030	HOSE ASSY	1	EA	18010-23064	
22	0697100031	HOSE ASSY	1	EA	18010-52082	
23	0697100032	HOSE ASSY	1	EA	18010-22060	
26	0697100035	HOSE ASSY	1	EA	18010-53035	
27	0697100036	HOSE ASSY	1	EA	18010-53050	
28	0697100037	HOSE ASSY	1	EA	18010-52039	
29	*****	VALVE ASSY, selector	1	EA		
29-1	1100051025	BOLT (10TM10 X 25 P/1.5)	2	EA		
29-2	1140020010	WASHER, spring	2	EA		
29-3	1515010130	ELBOW	5	EA		
29-3	1420010110	O-RING	1	EA		
29-4	1515012040	ELBOW	2	EA		
29-4	1420010110	O-RING	1	EA		
29-5	1515100136	ELBOW	1	EA		
29-5	1420010110	O-RING	1	EA		
29-6	1901760600	VALVE, selector	1	EA		
29-7	1515600571	ADAPTOR	4	EA		
29-7	1420010110	O-RING	1	EA		
29-8	0697100056	BRACKET	1	EA		
30	*****	VALVE ASSY, shuttle	1	EA		
30-1	0697100049	BRACKET	1	EA		
30-2	1100051025	BOLT (10TM10 X 25 P/1.5)	3	EA		
30-3	1140020010	WASHER, spring	3	EA		
30-4	1513250202	BUSHING	2	EA		
30-4	1420010110	O-RING	1	EA		
30-5	1513300014	ELBOW	1	EA		
30-5	1420010110	O-RING	1	EA		
30-6	1515010130	ELBOW	3	EA		
30-6	1420010110	O-RING	1	EA		
30-7	1515012040	ELBOW	5	EA		
30-7	1420010110	O-RING	1	EA		
30-8	1515600571	ADAPTOR	1	EA		
30-8	1420010110	O-RING	1	EA		

This page intentionally left blank

Item	Part No.	Name	Qty	Uom	Remarks	Serial Number
30-9	1700100060	SWITCH, pressure	2	EA		
30-9	1420010110	O-RING	1	EA		
30-10	1700100089	SWITCH	1	EA		
30-11	1901760700	VALVE, shuttle	1	EA		
31	0697100061	PLATE	1	EA		
42	1100051025	BOLT (10TM10 X 25 P/1.5)	5	EA		
43	1100051030	BOLT	3	EA		
45	1140020010	WASHER, spring	13	EA		
47	1141110010	WASHER, plain	13	EA		
48	1512330005	ELBOW	1	EA		
48	1420310906	O-RING (ARP568-906-1B)	1	EA		
49	1512330009	ELBOW	2	EA		
49	1420310906	O-RING (ARP568-906-1B)	1	EA		
50	1512370010	ADAPTOR	1	EA		
50	1420010110	O-RING	1	EA		
51	1512375006	ELBOW	1	EA		
51	1420310906	O-RING (ARP568-906-1B)	1	EA		
61	1700100015	SWITCH, pressure	1	EA		
62	1652200010	RING	9	EA		
65	1652201007	BAND	15	EA		
67	1652201005	BAND	14	EA		



ROC010a

S=1/14

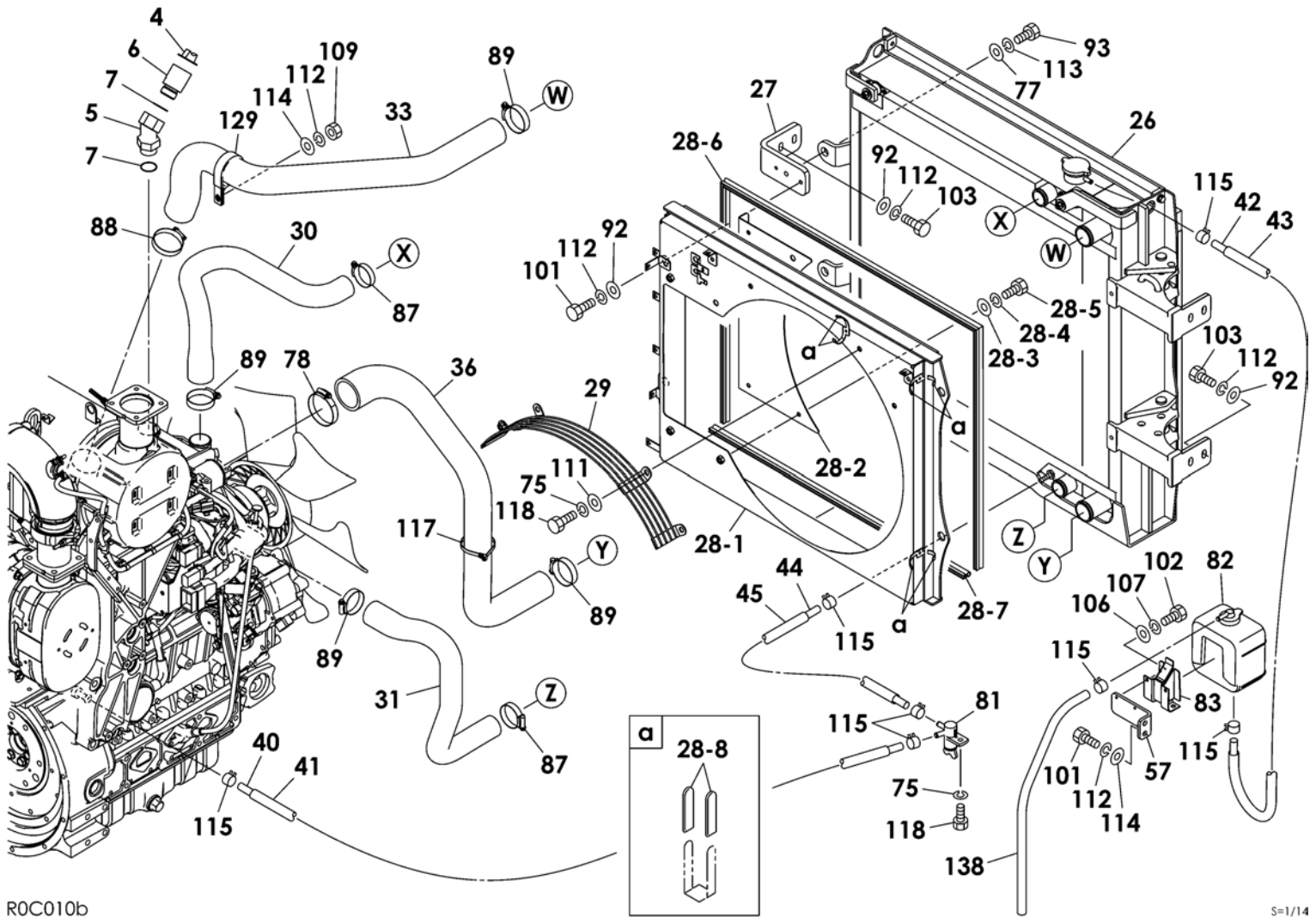
Item	Part No.	Name	Qty	Uom	Remarks	Serial Number
-	PNNA	ENGINE ASSY (with air conditioner)		EA		
-	PNNA	ENGINE ASSY (without air conditioner)		EA		
1	*****	ENGINE SUB ASSY	1	EA		
1-1	1910450101	ENGINE (V3800-TIEF4B-TLTU-1) (TL12R2)(TL12V2)	1	EA	V3800-TIEF4B-TLTU-1	
1-2	K1K946-32610	ADAPTER,OIL FILTER	1	EA	19104-43067	
1-3	K19202-96830	O-RING	1	EA	19104-43068	
1-4	K1K946-32370	PLUG, oil filter	1	EA	19104-43070	
1-5	K04817-07220	O-RING	1	EA	19104-43069	
1-6	KMR003-40410	JOINT PIPE	1	EA	19103-72064	
1-7	0694000285	BRACKET	1	EA		
1-8	1141110008	WASHER	2	EA		
1-9	1100050825	BOLT (10TM8 X 25 P/1.25)	2	EA		
1-10	1140020008	WASHER, spring	2	EA		
2	0694000087	PIPE	1	EA		
3	1100051016	BOLT	5	EA		
8	*****	FILTER ASSY	1	EA		
8-1	K1K946-32630	BASE OIL FILTER	1	EA	19104-43071	
8-2	KHH1C0-32430	FILTER, oil (CARTRIDGE)	1	EA	19104-43032	
8-3	1515010042	ELBOW	1	EA		
8-3	1420010180	O-RING	1	EA		
8-4	1515600202	ADAPTOR	1	EA		
8-4	1420010180	O-RING	1	EA		
8-5	0694000204	PLATE	1	EA		
8-6	1100050825	BOLT (10TM8 X 25 P/1.25)	2	EA		
8-7	1141110008	WASHER	2	EA		
8-8	1140020008	WASHER, spring	2	EA		
10	0694000208	HOSE ASSY	1	EA		
11	0694000209	HOSE ASSY	1	EA		
12	0694000312	FOOT, engine (F.L.)	1	EA		
13	0694000307	FOOT, engine (F.R.)	1	EA		
14	0694000226	FOOT, engine (R.L.)	1	EA		
15	0694000288	FOOT, engine (R.R.)	1	EA		
16	1112021235	SCREW, cap	16	EA		
17	1141110012	WASHER	16	EA		
18	0007300067	CLAMP	1	EA		
19	1651030027	RUBBER, cushion	4	EA		
20	1651030026	RUBBER, cushion	4	EA		

This page intentionally left blank

Item	Part No.	Name	Qty	Uom	Remarks	Serial Number
21	1101141640	BOLT	4	EA		
22	1140020016	WASHER, spring	4	EA		
23	1607000110	COUPLING ASSY	1	EA		
23-1	1607000111	HUB	1	EA		
23-2	1607000112	FLANGE	1	EA		
23-3	1607000033	SCREW, cap	1	EA		
23-4	1607000114	SCREW, cap	8	EA		
23-5	1221000028	RING, snap	1	EA		
24	0695201100	HOUSING	1	EA		
25	1100051030	BOLT	11	EA		
34	0694000239	HOSE ASSY (INTAKE HOSE)	1	EA		
37	*****	CLEANER ASSY, air	1	EA		
37-1	1911262100	CLEANER, air	1	EA	see page (3/3)	
37-2	K1J520-10700	SENSOR	1	EA	19103-91132	
37-3	0694000241	BRACKET	1	EA		
37-4	1141110008	WASHER	4	EA		
37-5	1140020008	WASHER, spring	4	EA		
37-6	1100050820	BOLT (10TM8 X 20 P/1.25)	4	EA		
37-7	1150420412	SCREW, sems	2	EA		
38	1702402003	CABLE	1	EA		
39	1531010070	HOSE	1	EA	sold by the meter	
76	1102041220	BOLT	2	EA		
79	1533701300	CLAMP	1	EA		
80	1533700115	BAND	1	EA		
84	0881521010	CLAMP	1	EA		
85	0694000236	WASHER	4	EA		
99	1140330012	WASHER	1	EA		
100	1140330010	WASHER	1	EA		
101	1100051020	BOLT (10TM10 X 20 P/1.5)	11	EA		
102	1100050612	BOLT (10TM6 X 12 P/1.0)	6	EA		
106	1141110006	WASHER	6	EA		
107	1140020006	WASHER, spring	7	EA		
109	1130240010	NUT	2	EA		
112	1140020010	WASHER, spring	32	EA		
113	1140020012	WASHER, spring (12MM)	4	EA		
114	1141110010	WASHER, plain	28	EA		
121	1554512601	TUBE (OIL DRAIN PLUG)	1	EA		
122	1432122302	WASHER	1	EA		

This page intentionally left blank

Item	Part No.	Name	Qty	Uom	Remarks	Serial Number
123	1554502250	PLUG	1	EA		
131	K1J520-12230	GASKET MUFFLER	1	EA	19104-43022	
132	1100051040	BOLT (10TM10 X 40 P/1.5)	2	EA		



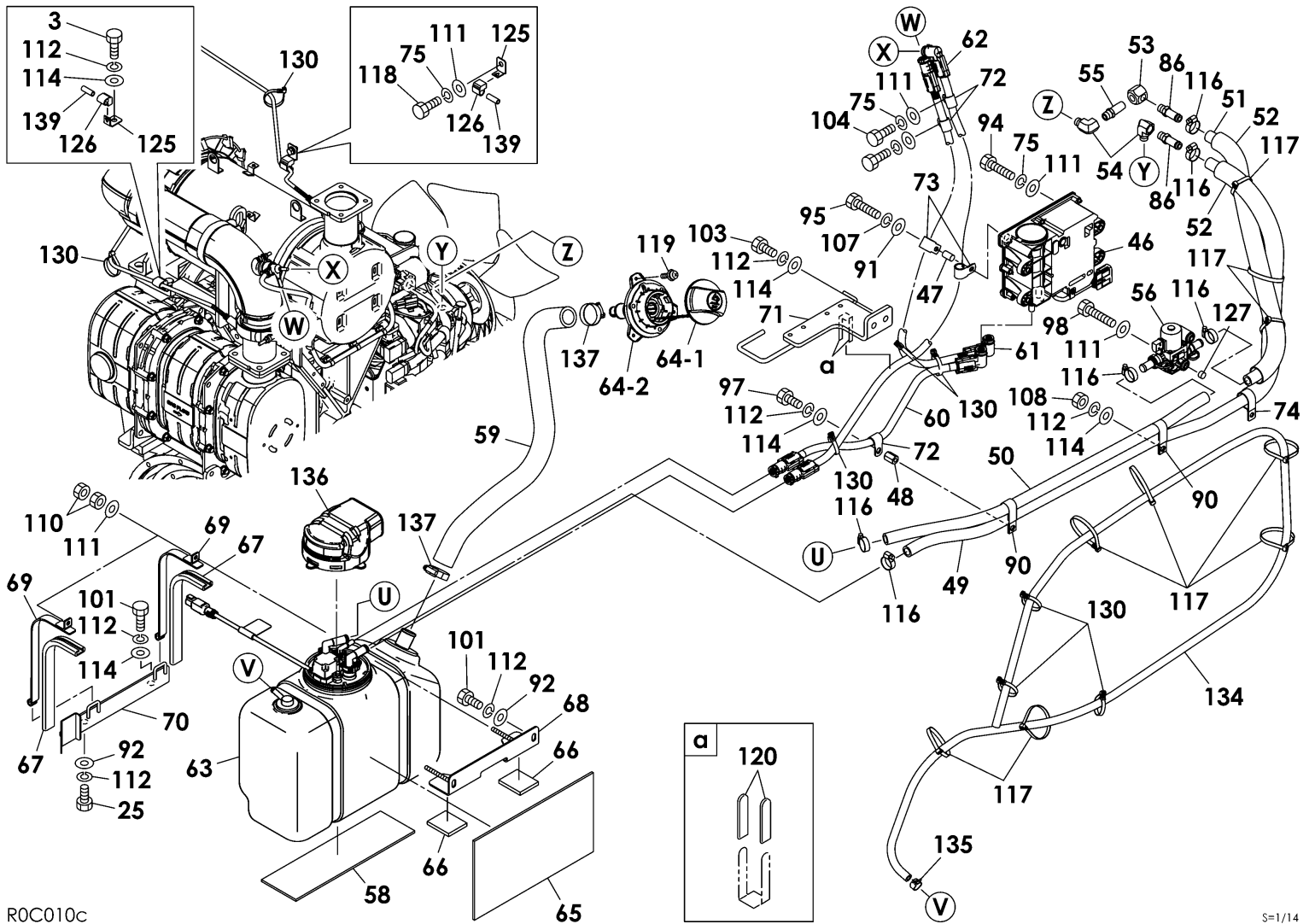
ROC010b

S=1/14

Item	Part No.	Name	Qty	Uom	Remarks	Serial Number
1	*****	ENGINE SUB ASSY	1	EA		
2	0694000087	PIPE	1	EA		
4	K1G386-33140	PLUG	1	EA	19102-87020	
5	0694002430	PIPE	1	EA		
6	0694002440	PIPE	1	EA		
7	1420110300	O-RING (30/35 T/3.1)	2	EA		
26	*****	RADIATOR ASSY	1	EA	see page (2/3)	
27	0694000111	BRACKET	2	EA		
28	*****	SHROUD ASSY	1	EA		
28-3	1141110008	WASHER	3	EA		
28-4	1140020008	WASHER, spring	3	EA		
28-5	1100090816	BOLT	3	EA		
28-6	1654606000	SEAL (SOLD BY THE METER)	1	EA	sold by the meter	
28-8	0872433150	TUBE	6	EA		
29	0694000109	GUARD	1	EA		
30	0694000163	HOSE, radiator (UPPER)	1	EA		
31	0694000161	HOSE, radiator (LOWER)	1	EA		
33	0694000248	HOSE, intake	1	EA		
36	0694000139	HOSE	1	EA		
40	1530808133	HOSE	1	EA		
41	1531118130	PROTECTOR	1	EA	sold by the meter	
42	1531407000	HOSE (SOLD BY THE METER)	1	EA	sold by the meter	
43	1531115112	PROTECTOR	1	EA	sold by the meter	
44	1530808100	HOSE (SOLD BY THE METER)	1	EA		
45	1531118045	PROTECTOR	1	EA	sold by the meter	
57	0694000168	PLATE	1	EA		
75	1140020008	WASHER, spring	12	EA		
77	0003600136	WASHER	1	EA	t=4.5mm	
78	1533700080	BAND	1	EA		
81	Y129150-49100	VALVE, drain	1	EA	19119-00004	
82	K15527-72400	TANK ASSY, reserve	1	EA	19102-49020	
83	K15527-72460	STAY RESERVE TANK	1	EA	19102-49051	
87	1533700054	BAND	2	EA		
88	1533700071	CLAMP	1	EA		
89	1533700060	BAND	4	EA		
92	0003600025	WASHER	15	EA		
93	1100051230	BOLT (10.9 M12 X 30MM)	2	EA		
101	1100051020	BOLT (10TM10 X 20 P/1.5)	11	EA		

This page intentionally left blank

Item	Part No.	Name	Qty	Uom	Remarks	Serial Number
102	1100050612	BOLT (10TM6 X 12 P/1.0)	6	EA		
103	1100051025	BOLT (10TM10 X 25 P/1.5)	10	EA		
106	1141110006	WASHER	6	EA		
107	1140020006	WASHER, spring	7	EA		
109	1130240010	NUT	2	EA		
111	1141110008	WASHER	16	EA		
112	1140020010	WASHER, spring	32	EA		
113	1140020012	WASHER, spring (12MM)	4	EA		
114	1141110010	WASHER, plain	28	EA		
115	1533120012	BAND	7	EA		
117	1652231250	BAND (1st aux. Proportion)	10	EA		
118	1100090816	BOLT	6	EA		
129	0564000450	CLAMP	1	EA		
138	K09661-70650	TUBE, fuel (7.3X12.5X650L)	1	EA	19102-87013	



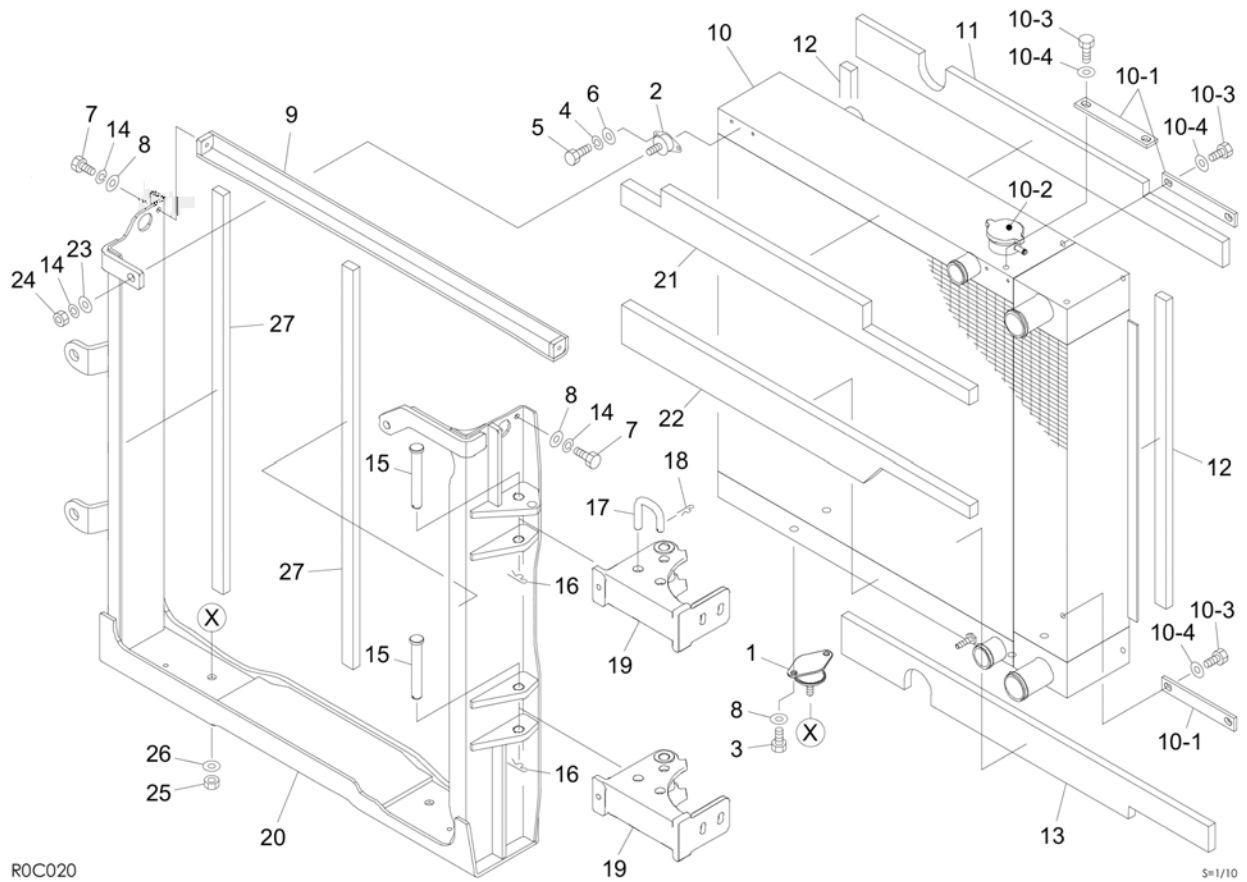
ROC010c

S=1/14

Item	Part No.	Name	Qty	Uom	Remarks	Serial Number
3	1100051016	BOLT	5	EA		
25	1100051030	BOLT	11	EA		
46	K1J508-19653	PUMP, hydraulic	1	EA	19103-88212	
47	0694000170	PIPE	1	EA		
48	1134831035	NUT	1	EA		
49	1911511761	HOSE	1	EA	sold by the meter	
50	1911501690	HOSE	1	EA	sold by the meter	
51	1911501663	HOSE	1	EA	sold by the meter	
52	1531335000	PROTECTOR (SOLD BY THE METER)	2	EA	sold by the meter	
53	0007262009	ELBOW	1	EA		
54	1501986526	ELBOW	2	EA		
55	0007205005	NIPPLE	1	EA		
56	K1J508-19600	VALVE ASSY	1	EA	19103-88213	
58	0694000164	SHEET	1	EA		
59	0694000150	HOSE	1	EA		
60	K1J303-19550	HOSE	1	EA	19103-88217	
61	K1E506-19560	HOSE	1	EA	19103-88216	
62	K1J303-19570	HOSE	1	EA	19103-88215	
63	*****	DEF/ADBLUER TANK	1	EA	see engine parts Fig. 50	
64	*****	CAP	1	EA		
64-1	1552101500	CAP	1	EA		
64-2	1552101600	FILLER	1	EA		
65	0694000159	SHEET	1	EA		
66	0694000160	SHEET	2	EA		
67	0694000151	SHEET	2	EA		
68	0694000166	BRACKET	1	EA		
69	0694000301	PLATE	2	EA		
70	0694000157	BRACKET	1	EA		
71	0694000258	PLATE	1	EA		
72	1711900076	CLAMP	3	EA		
73	1711900127	CLAMP	2	EA		
74	0007300003	CLAMP	1	EA		
75	1140020008	WASHER, spring	12	EA		
86	0007224001	FITTING	2	EA		
90	0007300055	CLAMP	2	EA		
91	0003600110	WASHER	1	EA		
92	0003600025	WASHER	15	EA		
94	1100050835	BOLT (10TM8 X 35 P/1.25)	4	EA		

This page intentionally left blank

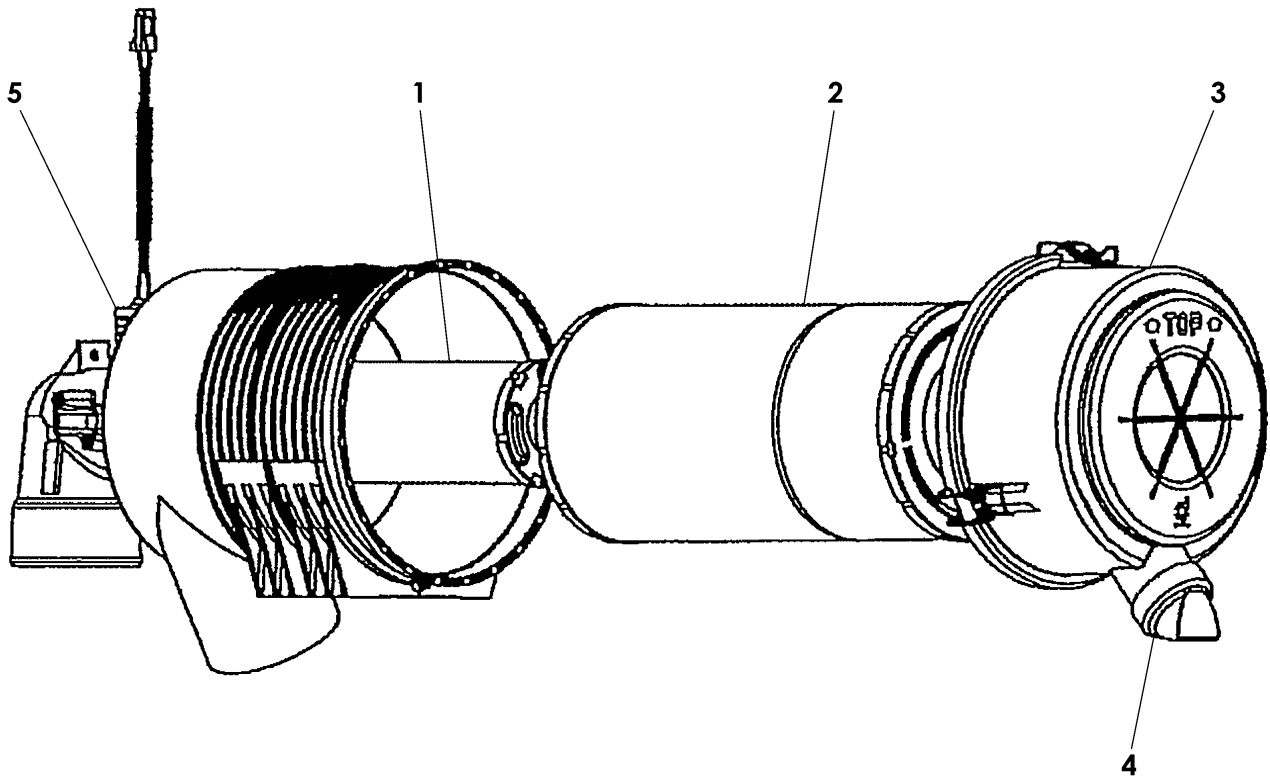
Item	Part No.	Name	Qty	Uom	Remarks	Serial Number
95	1100050635	BOLT (10TM6 X 35 P/1.0)	1	EA		
97	1100051016	BOLT	1	EA		
98	1100050860	BOLT (10TM8 X 60 P/1.25)	3	EA		
101	1100051020	BOLT (10TM10 X 20 P/1.5)	11	EA		
103	1100051025	BOLT (10TM10 X 25 P/1.5)	10	EA		
104	1100050820	BOLT (10TM8 X 20 P/1.25)	2	EA		
107	1140020006	WASHER, spring	7	EA		
108	1130050012	NUT (8TM12 P/1.75)	2	EA		
110	1130140008	NUT (polycarbonate type)	4	EA		
111	1141110008	WASHER	16	EA		
112	1140020010	WASHER, spring	32	EA		
114	1141110010	WASHER, plain	28	EA		
116	1911500500	CLAMP	6	EA		
117	1652231250	BAND (1st aux. Proportion)	10	EA		
118	1100090816	BOLT	6	EA		
119	1150410412	SCREW	3	EA		
120	0872433150	TUBE	2	EA		
125	1652900208	CLAMP	2	EA		
126	1652900507	CLAMP	2	EA		
127	0003600160	COLLAR	3	EA		
130	1652231140	BAND	8	EA		
134	1534416260	HOSE	1	EA		
135	1533120015	BAND	1	EA		
136	K1J508-19860	COVER	1	EA	19104-43224	
137	1533700045	BAND, hose	2	EA		
139	1703210703	BOOT	2	EA		



ROC020

S=1/10

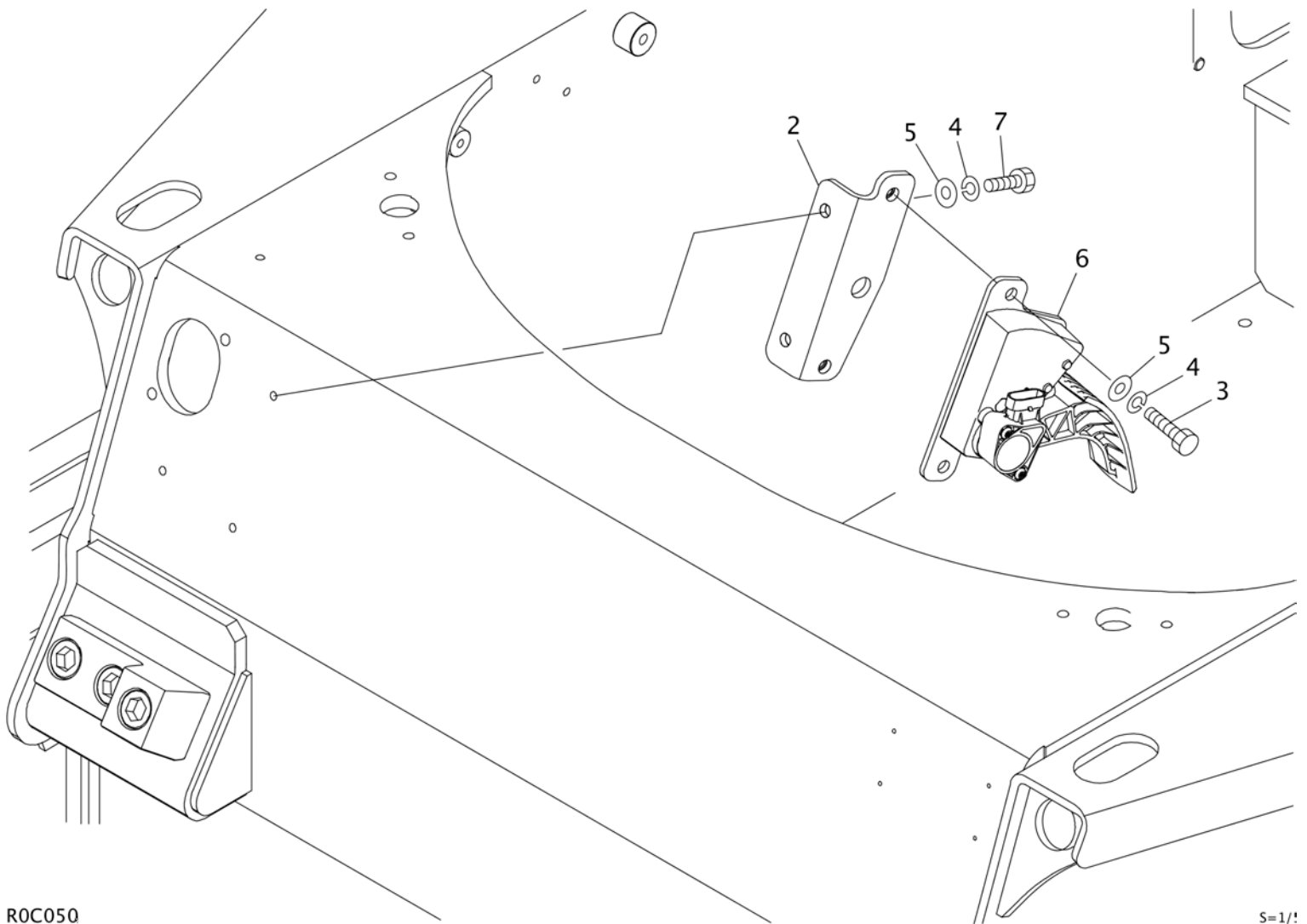
Item	Part No.	Name	Qty	Uom	Remarks	Serial Number
0-1	*****	RADIATOR ASSY		EA		
1	0881406050	RUBBER, cushion	2	EA		
2	1651021030	RUBBER, cushion	2	EA		
3	1100090816	BOLT	4	EA		
4	1140020006	WASHER, spring	4	EA		
5	1100050612	BOLT (10TM6 X 12 P/1.0)	4	EA		
6	1141110006	WASHER	4	EA		
7	1100050820	BOLT (10TM8 X 20 P/1.25)	2	EA		
8	1141110008	WASHER	6	EA		
9	0694000281	STAY	1	EA		
10	1911300980	RADIATOR ASSY	1	EA		
10-1	1911300981	PLATE	3	EA		
10-2	1911300851	CAP, radiator	1	EA		
10-3	1911300982	BOLT	6	EA		
10-4	1911300983	WASHER	6	EA		
11	0694000092	SPONGE	1	EA		
12	1654343000	SPONGE (SOLD BY THE METER)	2	EA	sold by the meter	
13	0694000093	SPONGE	1	EA		
14	1140020008	WASHER, spring	4	EA		
15	0881402180	PIN	2	EA		
16	1214000016	PIN, snap	2	EA		
17	0684005350	PIN	1	EA		
18	1214000012	PIN, snap	1	EA		
19	0664000310	HINGE	2	EA		
20	0694000267	FRAME, radiator	1	EA		
21	0694000094	SPONGE	1	EA		
22	0694000095	SPONGE	1	EA		
23	0003608252	WASHER	2	EA		
24	1130050008	NUT	2	EA		
25	1130240010	NUT	2	EA		
26	1141110010	WASHER, plain	2	EA		
27	1654343078	SPONGE	2	EA	sold by the meter	



ROC030

S=FREE

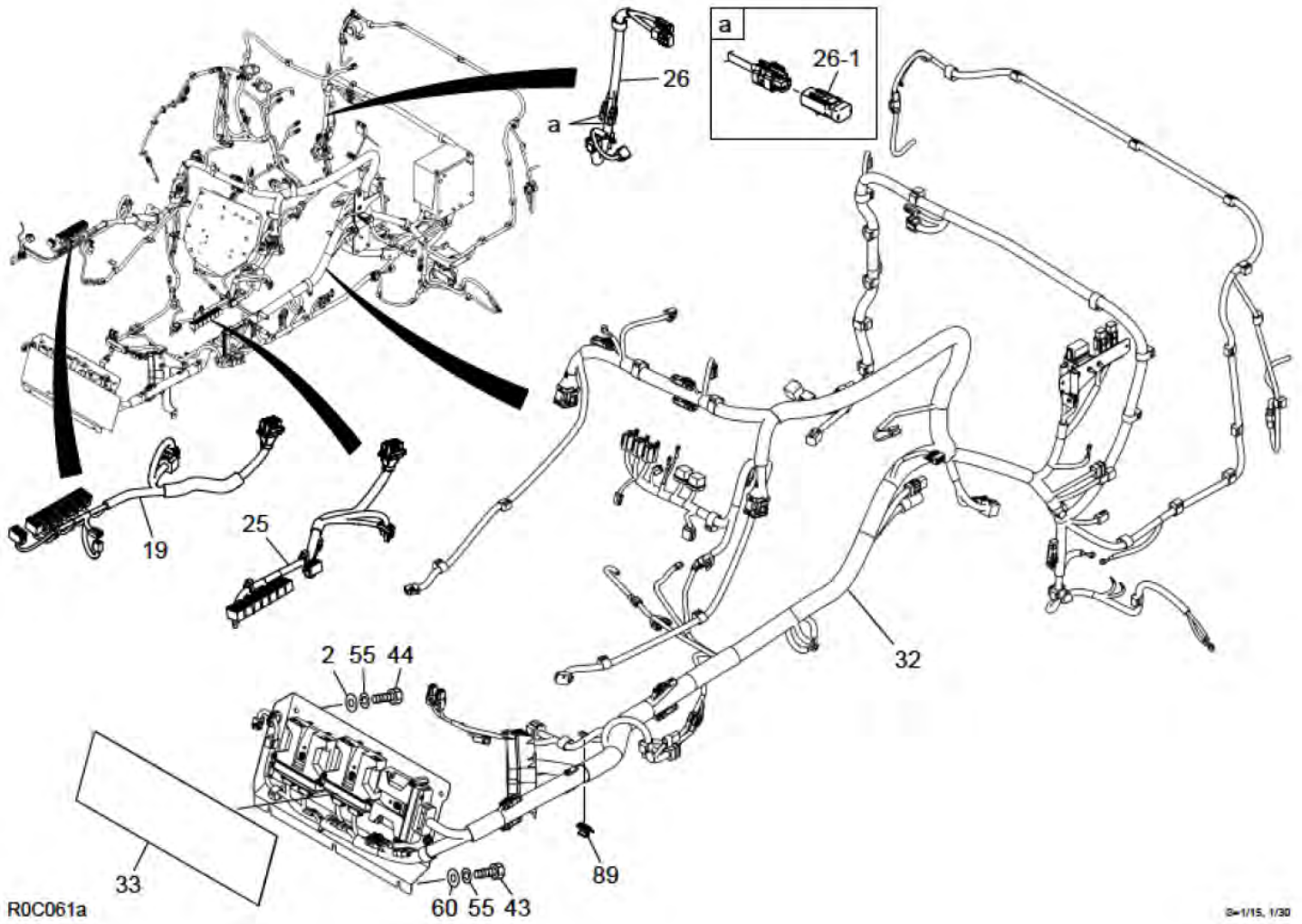
Item	Part No.	Name	Qty	Uom	Remarks	Serial Number
0-1	1911262100	CLEANER, air	1	EA		
1	1911262101	AIR FILTER (INNER)	1	EA		
2	1911262102	AIR FILTER (OUTER)	1	EA		
3	1911262103	COVER	1	EA		
4	1911102855	VALVE	1	EA		
5	1911262104	INDICATOR	1	EA		



ROC050

S=1/!

Item	Part No.	Name	Qty	Uom	Remarks	Serial Number
Not Shown	PNNA	ACCELERATOR ASSY, foot		EA		
2	0684100004	BRACKET	1	EA		
3	1100050825	BOLT (10TM8 X 25 P/1.25)	2	EA		
4	1140020008	WASHER, spring	4	EA		
5	1141110008	WASHER	4	EA		
6	1700000071	ACCELERATOR, foot	1	EA		
7	1100090816	BOLT	2	EA		

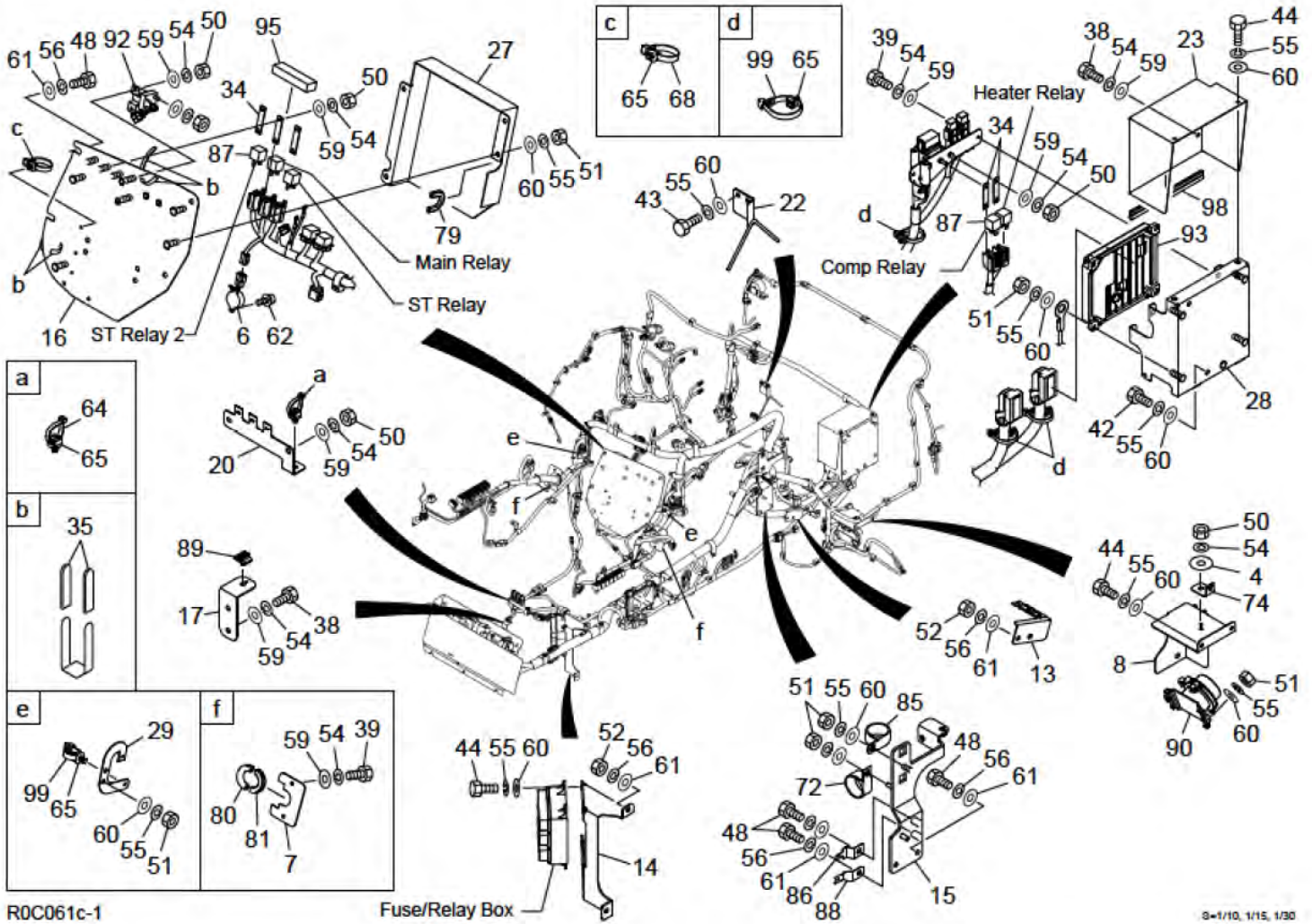


Item	Part No.	Name	Qty	Uom	Remarks	Serial Number
-	PNNA	ELECTRICAL ASSY		EA		
2	0003600079	WASHER	3	EA		
19	0694200179	HARNESS, wiring	1	EA		
25	0694200201	HARNESS, wiring	1	EA		
26	0694200202	HARNESS, wiring	1	EA		
26-1	1730500041	DIODE	2	EA		
32	*****	UNIT ASSY	1	EA	see page (2/2)	
33	0694205212	RUBBER	1	EA		
43	1100090816	BOLT	13	EA		
44	1100050820	BOLT (10TM8 X 20 P/1.25)	14	EA		
55	1140020008	WASHER, spring	64	EA		
60	1141110008	WASHER	61	EA		
89	1711900194	CLAMP	2	EA		

Item	Part No.	Name	Qty	Uom	Remarks	Serial Number
6	0573300610	BUZZER	2	EA		
9	0694200067	HARNESS, wiring	1	EA		
10	0694200069	HARNESS, wiring	1	EA		
11	0694200218	HARNESS, wiring	1	EA		
12	0694200071	HARNESS, wiring	1	EA		
18	0694200173	HARNESS, wiring	1	EA		
18-1	1730500041	DIODE	3	EA		
21	0694200191	SPONGE	1	EA		
24	0694200199	HARNESS, wiring	1	EA		
24-1	1730500041	DIODE	2	EA		
31	0694200208	HARNESS, wiring	1	EA		
40	1100050635	BOLT (10TM6 X 35 P/1.0)	2	EA		
45	1100050835	BOLT (10TM8 X 35 P/1.25)	3	EA		
50	1130040006	NUT	16	EA		
54	1140020006	WASHER, spring	28	EA		
55	1140020008	WASHER, spring	64	EA		
59	1141110006	WASHER	25	EA		
60	1141110008	WASHER	61	EA		
62	1150420310	SCREW, sems	4	EA		
82	1700008292	SWITCH	1	EA		412000006~412001034
82	1700008313	SWITCH	1	EA	A,B	412001035~
91	1711900202	CLAMP	1	EA		
94	K1H105-59090	SUB ASSY, ECU	1	EA	19103-88142	
96	0694200237	HARNESS, wiring	1	EA		412000009~
97	0694200238	HARNESS, wiring	1	EA		412000009~
99	1652201005	BAND	13	EA		412000006~412000881
99	1652201005	BAND	14	EA	B	412000882~412000992
99	1652201005	BAND	13	EA	B	412000993~
105	0694200340	PLATE, rubber	1	EA	B	412000882~412000992
106	0003600110	WASHER	2	EA		412000993~
107	0694200344	PLATE ASSY	1	EA		412000993~
*1	1903900245	IMPROVEMENT KIT	1	EA	a,b	
*1	1130040006	NUT	2	EA		
*1	1140020006	WASHER, spring	2	EA		
*1	1700008313	SWITCH	1	EA		
*1	0003600110	WASHER	2	EA		
*1	0694200311	PLATE ASSY	1	EA		
*2	0698200293	COVER, side (L.H.)	1	EA	a,b; see page "COVER" 1 of 4	

This page intentionally left blank

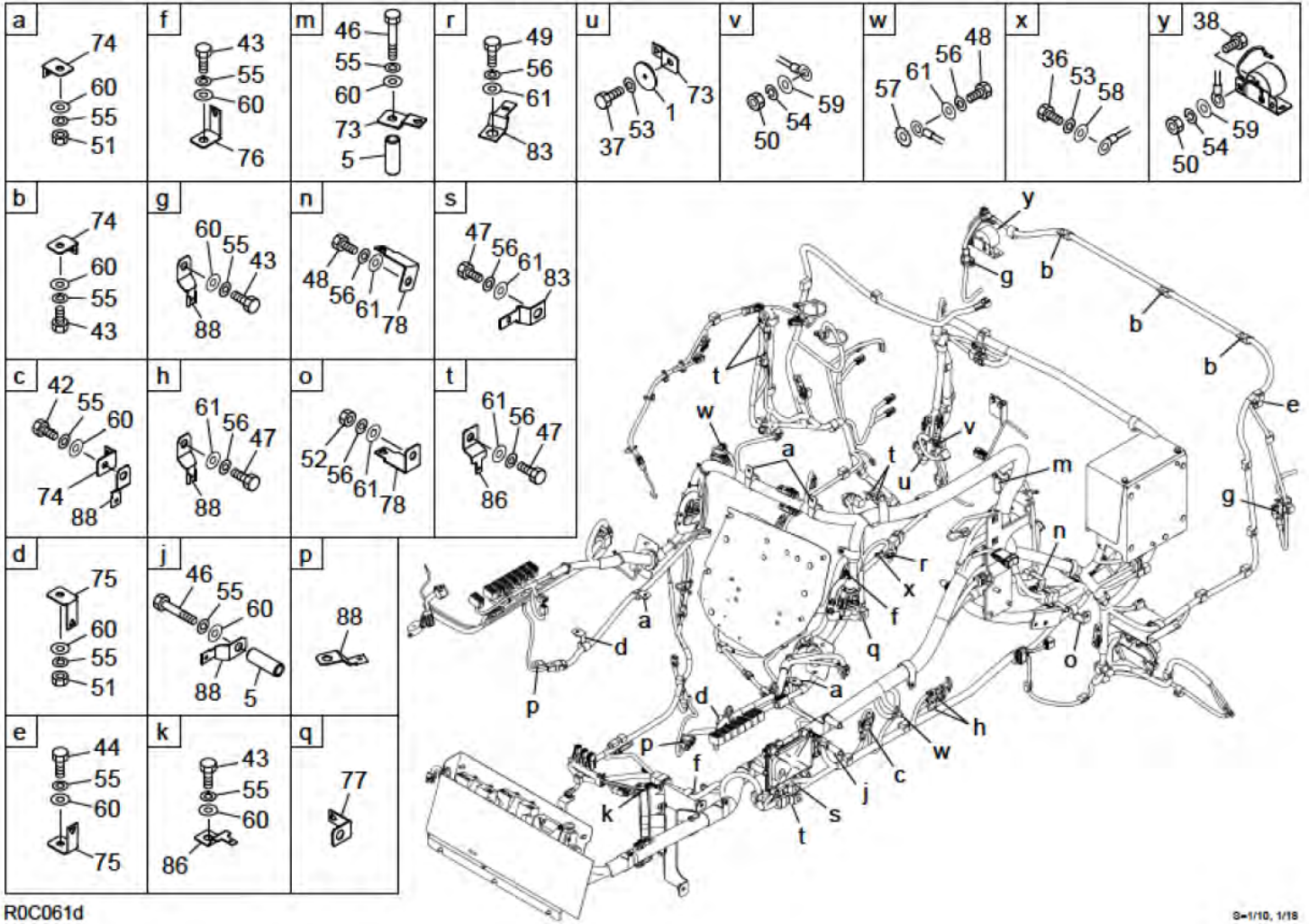
Item	Part No.	Name	Qty	Uom	Remarks	Serial Number
-	PNNA	A" is interchangeable with SET "a"		EA		
-	PNNA	SET "B" is interchangeable with SET "b".		EA		



Item	Part No.	Name	Qty	Uom	Remarks	Serial Number
4	0003606202	WASHER	1	EA		
6	0573300610	BUZZER	2	EA		
7	0684200043	PLATE	2	EA		
8	0694200055	BRACKET	1	EA		
13	0694200074	BRACKET	1	EA		
14	0694200081	BRACKET	1	EA		
15	0694200104	BRACKET	1	EA		
16	0694200164	BRACKET	1	EA		
17	0694200226	PLATE	1	EA		
20	0694200189	PLATE	1	EA		
22	0694200192	BRACKET	1	EA		
23	0694200197	COVER	1	EA		
27	0694200203	COVER	1	EA		
28	0694200204	BRACKET	1	EA		
29	0694200219	PLATE	2	EA		
34	0694205350	BRACKET	5	EA		
35	0872433150	TUBE	4	EA		
38	1100050612	BOLT (10TM6 X 12 P/1.0)	5	EA		
39	1100050616	BOLT (10TM6 X 16 P/1.0)	6	EA		
42	1100050814	BOLT (10TM8 X 14 P/1.25)	4	EA		
43	1100090816	BOLT	13	EA		
44	1100050820	BOLT (10TM8 X 20 P/1.25)	14	EA		
48	1100041020	BOLT	12	EA		
50	1130040006	NUT	16	EA		
51	1130050008	NUT	25	EA		
52	1130050010	NUT	6	EA		
54	1140020006	WASHER, spring	28	EA		
55	1140020008	WASHER, spring	64	EA		
56	1140020010	WASHER, spring	27	EA		
59	1141110006	WASHER	25	EA		
60	1141110008	WASHER	61	EA		
61	1141110010	WASHER, plain	25	EA		
62	1150420310	SCREW, sems	4	EA		
64	1652201007	BAND	14	EA		
65	1652201010	CLIP	7	EA		
68	1652231100	BAND	1	EA		
72	1652900019	CLAMP	5	EA		
74	1652900207	CLAMP	9	EA		

This page intentionally left blank

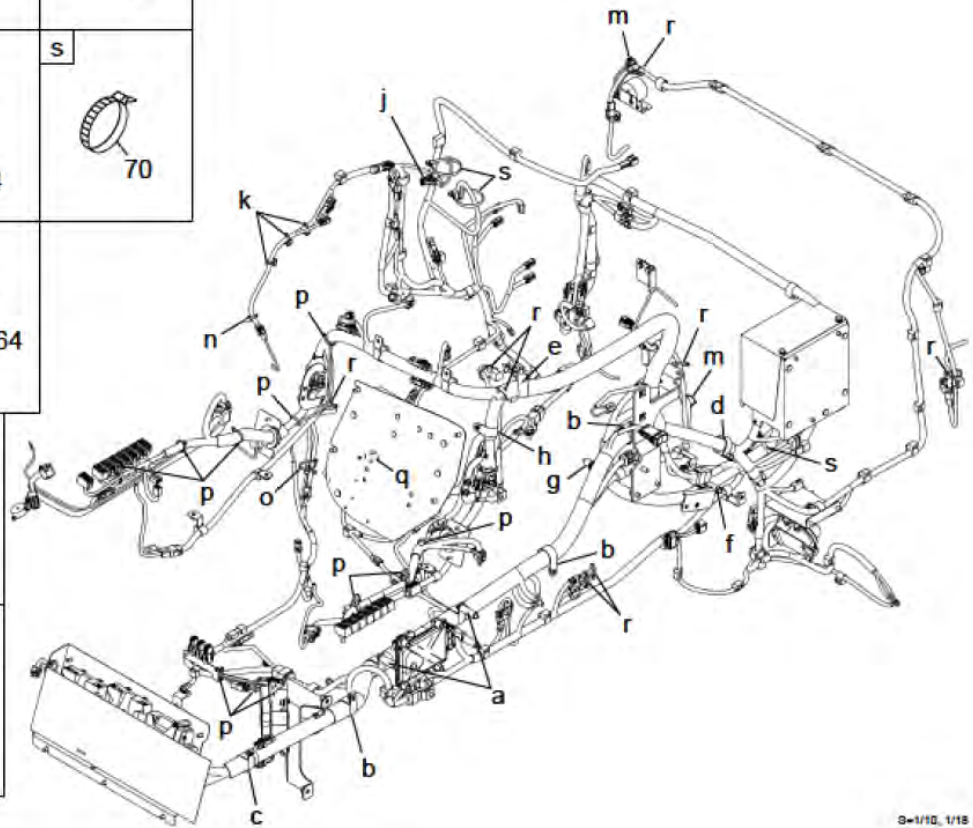
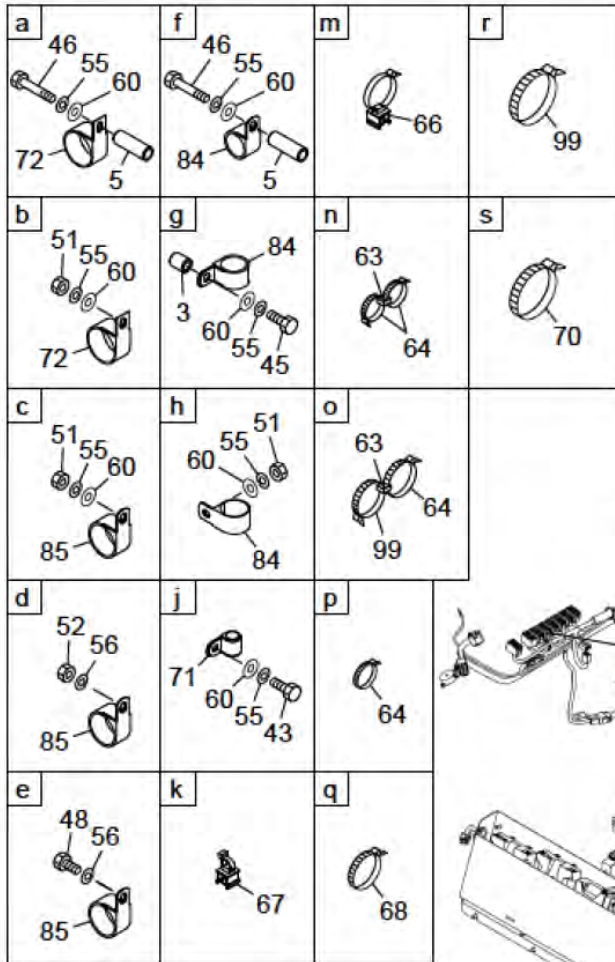
Item	Part No.	Name	Qty	Uom	Remarks	Serial Number
79	1653916009	TRIM	1	EA	sold by the meter	
80	1653916005	TRIM	2	EA	sold by the meter	
81	1653916007	TRIM	2	EA	sold by the meter	
85	1711900097	CLAMP	4	EA		
86	1711900144	HOLDER, fuse	7	EA		
87	1711900163	RELAY, starter	5	EA		
88	1711900191	CLAMP	9	EA		
89	1711900194	CLAMP	2	EA		
90	1711900201	RELAY, battery	1	EA		
92	K3N300-75210	RELAY	1	EA	19100-78116	
93	K1H057-59090	SUB ASSY, ECU	1	EA	19103-88127	
95	1654314011	SPONGE	1	EA	sold by the meter	
98	1654606023	SEAL (SOLD BY THE METER)	1	EA	sold by the meter	
99	1652201005	BAND	13	EA		412000006~412000881
99	1652201005	BAND	14	EA		412000882~412000992
99	1652201005	BAND	13	EA		412000993~
*1	1903900245	IMPROVEMENT KIT	1	EA	a,b	
*1	1130040006	NUT	2	EA		
*1	1140020006	WASHER, spring	2	EA		
*1	1700008313	SWITCH	1	EA		
*1	0003600110	WASHER	2	EA		
*1	0694200311	PLATE ASSY	1	EA		
*2	0698200293	COVER, side (L.H.)	1	EA	a,b	
-	PNNA	A" is interchangeable with SET "a"		EA		
-	PNNA	SET "B" is interchangeable with SET "b".		EA		



R0C061d

8-1/10, 1/18

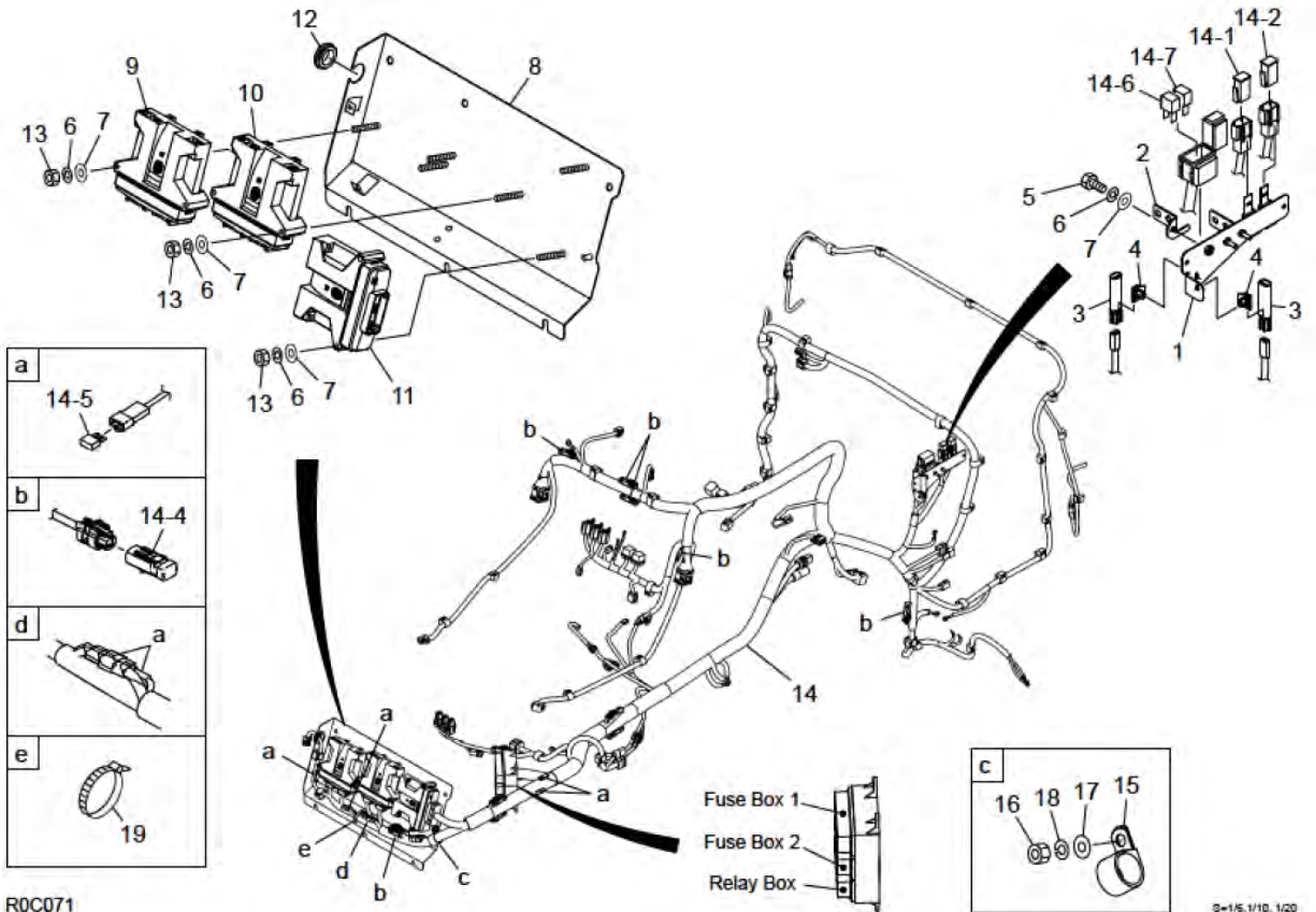
Item	Part No.	Name	Qty	Uom	Remarks	Serial Number
1	0003600033	WASHER	1	EA		
5	0354216010	COLLAR	5	EA		
36	1100040512	BOLT	1	EA		
37	1100040516	BOLT	1	EA		
38	1100050612	BOLT (10TM6 X 12 P/1.0)	5	EA		
42	1100050814	BOLT (10TM8 X 14 P/1.25)	4	EA		
43	1100090816	BOLT	13	EA		
44	1100050820	BOLT (10TM8 X 20 P/1.25)	14	EA		
46	1100050865	BOLT (10TM8 X 65 P/1.25)	5	EA		
47	1100051016	BOLT	8	EA		
48	1100041020	BOLT	12	EA		
49	1100051025	BOLT (10TM10 X 25 P/1.5)	1	EA		
50	1130040006	NUT	16	EA		
51	1130050008	NUT	25	EA		
52	1130050010	NUT	6	EA		
53	1140020005	WASHER, spring	2	EA		
54	1140020006	WASHER, spring	28	EA		
55	1140020008	WASHER, spring	64	EA		
56	1140020010	WASHER, spring	27	EA		
57	1140330010	WASHER	2	EA		
58	1141110005	WASHER, flat (ZINC) (5MM)	1	EA		
59	1141110006	WASHER	25	EA		
60	1141110008	WASHER	61	EA		
61	1141110010	WASHER, plain	25	EA		
73	1652900101	CLAMP	2	EA		
74	1652900207	CLAMP	9	EA		
75	1652900210	CLAMP	3	EA		
76	1652900211	CLAMP	2	EA		
77	1652900212	CLAMP	1	EA		
78	1652900214	CLAMP	2	EA		
83	1711900064	CLAMP	2	EA		
86	1711900144	HOLDER, fuse	7	EA		
88	1711900191	CLAMP	9	EA		



R0C061e

9-110, 1/18

Item	Part No.	Name	Qty	Uom	Remarks	Serial Number
3	0003600273	COLLAR	1	EA		
5	0354216010	COLLAR	5	EA		
43	1100090816	BOLT	13	EA		
45	1100050835	BOLT (10TM8 X 35 P/1.25)	3	EA		
46	1100050865	BOLT (10TM8 X 65 P/1.25)	5	EA		
48	1100041020	BOLT	12	EA		
51	1130050008	NUT	25	EA		
52	1130050010	NUT	6	EA		
55	1140020008	WASHER, spring	64	EA		
56	1140020010	WASHER, spring	27	EA		
60	1141110008	WASHER	61	EA		
63	1652200010	RING	2	EA		
64	1652201007	BAND	14	EA		
66	1652201021	CLIP	2	EA		
67	1652201023	CLIP, edge	3	EA		
68	1652231100	BAND	1	EA		
70	1652231250	BAND (1st aux. Proportion)	3	EA		
71	1652900008	CLAMP	1	EA		
72	1652900019	CLAMP	5	EA		
84	1711900072	CLAMP	3	EA		
85	1711900097	CLAMP	4	EA		
99	1652201005	BAND	13	EA		412000006~412000881
99	1652201005	BAND	14	EA	B	412000882~412000992
99	1652201005	BAND	13	EA	B	412000993~
*1	1903900245	IMPROVEMENT KIT	1	EA	a,b	
*1	1130040006	NUT	2	EA		
*1	1140020006	WASHER, spring	2	EA		
*1	1700008313	SWITCH	1	EA		
*1	0003600110	WASHER	2	EA		
*1	0694200311	PLATE ASSY	1	EA		
*2	0698200293	COVER, side (L.H.)	1	EA	a,b	
-	PNNA	A" is interchangeable with SET "a"		EA		
-	PNNA	SET "B" is interchangeable with SET "b".		EA		

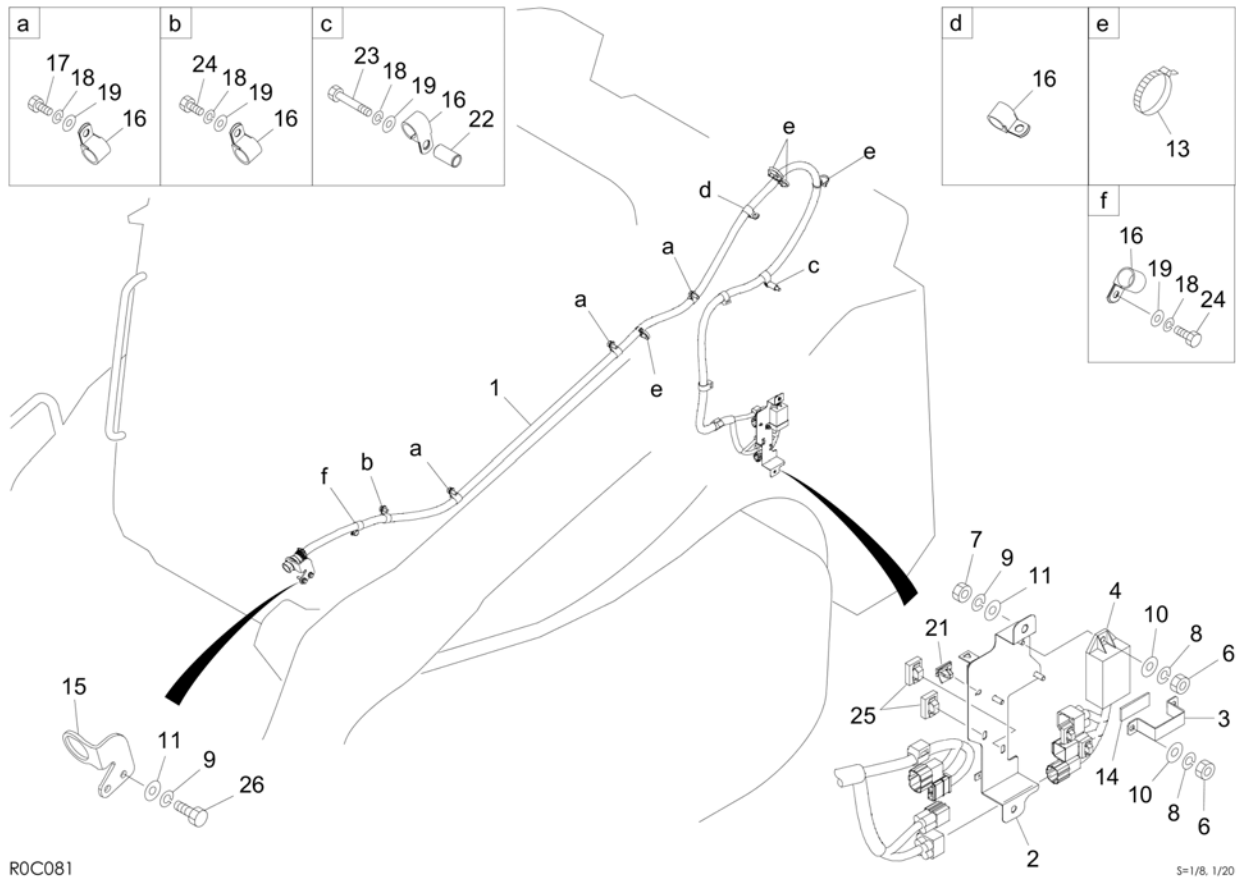


R0C071

3-1/5, 1/10, 1/20

Item	Part No.	Name	Qty	Uom	Remarks	Serial Number
0-1	*****	UNIT ASSY	1	EA		
1	0694200132	BRACKET	1	EA		
2	0694205340	BRACKET	1	EA		
3	0694200108	RESISTOR	2	EA		
4	1711900194	CLAMP	2	EA		
5	1100050616	BOLT (10TM6 X 16 P/1.0)	1	EA		
6	1140020006	WASHER, spring	7	EA		
7	1141110006	WASHER	7	EA		
8	0694200233	BRACKET	1	EA		
9	0694200021	CONTROLLER 2, main	1	EA		
10	1730143341	CONTROLLER, sub	1	EA		
11	0694200019	CONTROLLER	1	EA		412000006~412000925
11	0694200290	CONTROLLER 1 (MAIN)	1	EA		412000926~
12	1652053200	GROMMET	1	EA		
13	1130040006	NUT	6	EA		
14	0694200186	HARNESS ASSY, wiring	1	EA		
14-1	1701330045	LINK, fusible (45A)	1	EA	45A	
14-2	1701330065	LINK, fusible	1	EA	65A	
14-3	*****	FUSE BOX ASSY	1	EA		
14-3	1701310003	FUSE (3A)	2	EA	3A	
14-3	1701310005	FUSE (5A)	5	EA	5A	
14-3	1701310010	FUSE (10A)	8	EA	10A	
14-3	1701310015	FUSE (15A)	4	EA	15A	
14-3	1701310020	FUSE (20A)	3	EA	20A	
14-3	1701310025	FUSE (25A)	5	EA	25A	
14-3	1701310030	FUSE (30A)	3	EA	30A	
14-4	1730500041	DIODE	6	EA		
14-5	1730500025	DIODE (1.5A 3P)	6	EA		
14-6	0574207141	FUSE, slow blow (60A)	1	EA	YELLOW	
14-7	1903900210	FUSE, slow blow (120A)	1	EA	WHITE	
15	1711900072	CLAMP	1	EA		
16	1130050008	NUT	1	EA		
17	1141110008	WASHER	1	EA		
18	1140020008	WASHER, spring	1	EA		
19	1652231250	BAND (1st aux. Proportion)	1	EA		

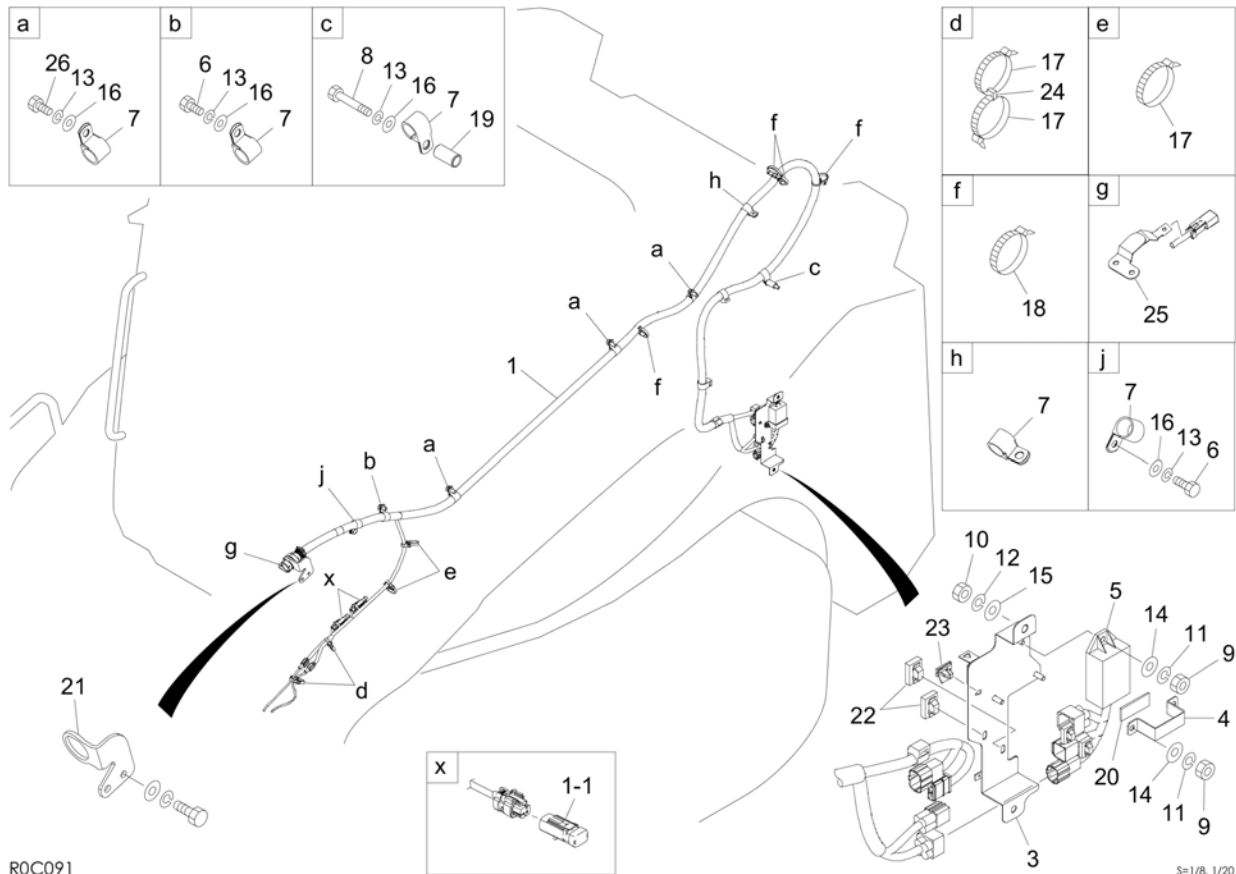
ENGINE & ELECTRICAL SYSTEM ELECTRICAL (canopy)



ROC081

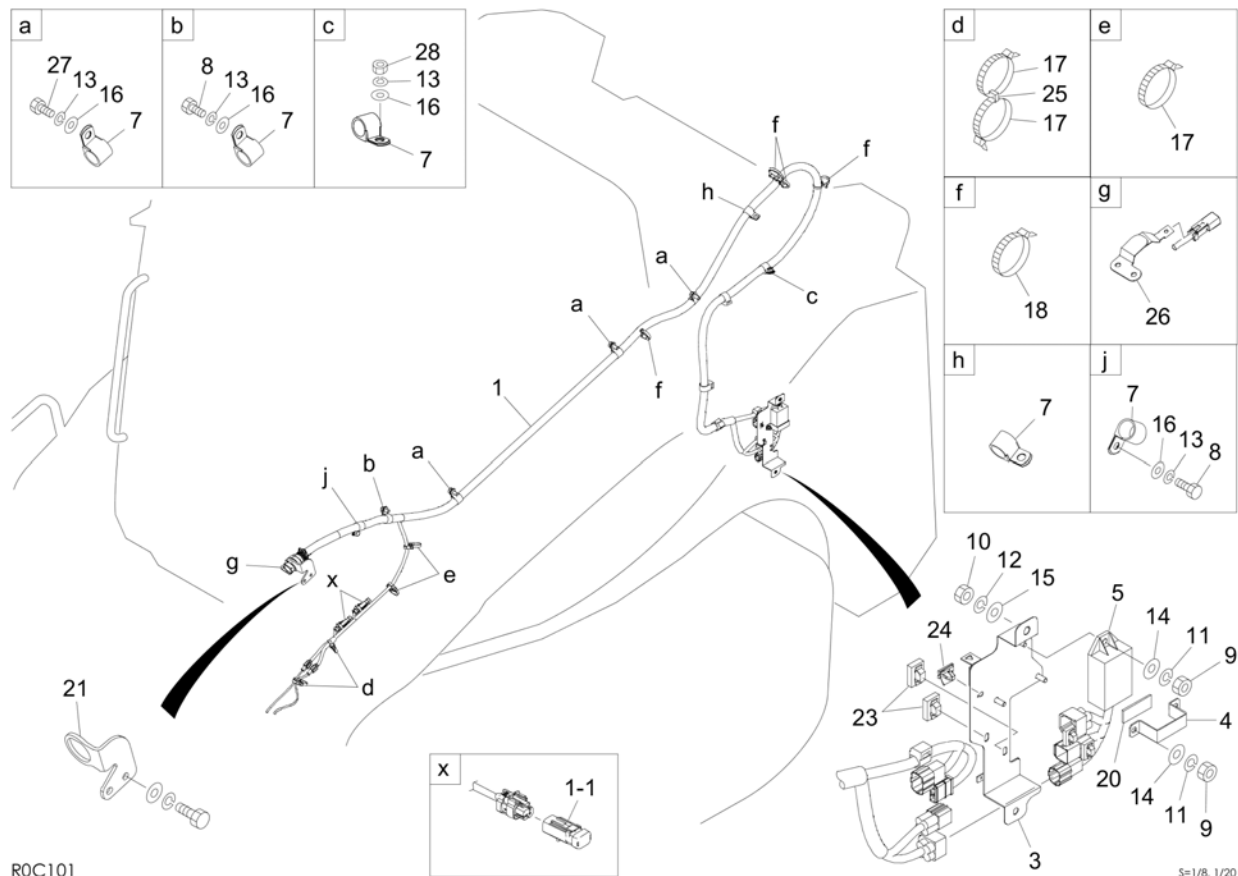
S=1/8. 1/20

Item	Part No.	Name	Qty	Uom	Remarks	Serial Number
-	PNNA	ELECTRICAL ASSY		EA		
1	0694200175	HARNES, wiring	1	EA		
2	0694200161	BRACKET	1	EA		
3	0694205685	BRACKET	1	EA		
4	1711900155	BOX, relay	1	EA		
6	1130040006	NUT	3	EA		
7	1130050008	NUT	2	EA		
8	1140020006	WASHER, spring	3	EA		
9	1140020008	WASHER, spring	4	EA		
10	1141110006	WASHER	3	EA		
11	1141110008	WASHER	4	EA		
13	1652201008	BAND	4	EA		
14	0694205695	INSULATOR	1	EA		
15	0687310020	BRACKET (LIGHT GRAY)	1	EA		
16	1711900071	CLAMP	7	EA		
17	1100051025	BOLT (10TM10 X 25 P/1.5)	3	EA		
18	1140020010	WASHER, spring	6	EA		
19	1141110010	WASHER, plain	6	EA		
21	1711900194	CLAMP	1	EA		
22	0003000082	COLLAR	1	EA		
23	1100041055	BOLT	1	EA		
24	1100041020	BOLT	2	EA		
25	1711900198	CLAMP	2	EA		
26	1100050830	BOLT (10TM8 X 30 P/1.25)	2	EA		



Item	Part No.	Name	Qty	Uom	Remarks	Serial Number
-	PNNA	ELECTRICAL ASSY		EA		
1	0694200185	HARNES, wiring	1	EA		
1-1	1730500041	DIODE	2	EA		
3	0694200161	BRACKET	1	EA		
4	0694205685	BRACKET	1	EA		
5	1711900155	BOX, relay	1	EA		
6	1100041020	BOLT	2	EA		
7	1711900071	CLAMP	7	EA		
8	1100041055	BOLT	1	EA		
9	1130050006	NUT (4TM6 P/1.0)	3	EA		
10	1130050008	NUT	2	EA		
11	1140020006	WASHER, spring	3	EA		
12	1140020008	WASHER, spring	2	EA		
13	1140020010	WASHER, spring	6	EA		
14	1141110006	WASHER	3	EA		
15	1141110008	WASHER	2	EA		
16	1141110010	WASHER, plain	6	EA		
17	1652201007	BAND	6	EA		
18	1652201008	BAND	4	EA		
19	0003000082	COLLAR	1	EA		
20	0694205695	INSULATOR	1	EA		
21	0687310020	BRACKET (LIGHT GRAY)	1	EA		
22	1711900198	CLAMP	2	EA		
23	1711900194	CLAMP	1	EA		
24	1652200010	RING	2	EA		
25	0694200182	BRACKET	1	EA		
26	1100051025	BOLT (10TM10 X 25 P/1.5)	3	EA		

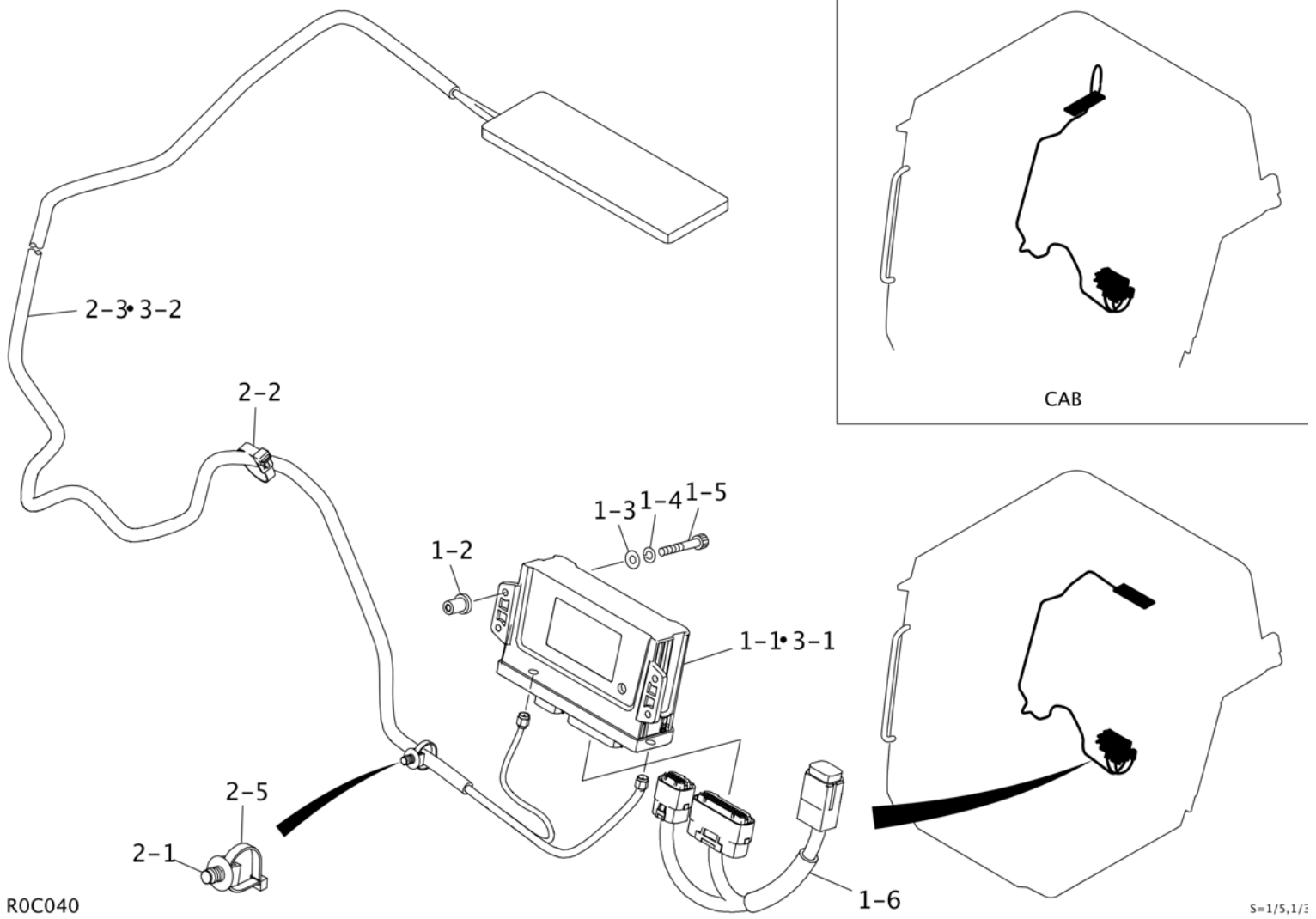
ENGINE & ELECTRICAL SYSTEM ELECTRICAL (cab) (with 2nd aux. line)



ROC101

S=1/8. 1/20

Item	Part No.	Name	Qty	Uom	Remarks	Serial Number
-	PNNA	ELECTRICAL ASSY		EA		
1	0694200185	HARNES, wiring	1	EA		
1-1	1730500041	DIODE	2	EA		
3	0694200161	BRACKET	1	EA		
4	0694205685	BRACKET	1	EA		
5	1711900155	BOX, relay	1	EA		
7	1711900071	CLAMP	7	EA		
8	1100041020	BOLT	2	EA		
9	1130040006	NUT	3	EA		
10	1130050008	NUT	2	EA		
11	1140020006	WASHER, spring	3	EA		
12	1140020008	WASHER, spring	2	EA		
13	1140020010	WASHER, spring	6	EA		
14	1141110006	WASHER	3	EA		
15	1141110008	WASHER	2	EA		
16	1141110010	WASHER, plain	6	EA		
17	1652201007	BAND	6	EA		
18	1652201008	BAND	4	EA		
20	0694205695	INSULATOR	1	EA		
21	0687310020	BRACKET (LIGHT GRAY)	1	EA		
23	1711900198	CLAMP	2	EA		
24	1711900194	CLAMP	1	EA		
25	1652200010	RING	2	EA		
26	0694200182	BRACKET	1	EA		
27	1100051025	BOLT (10TM10 X 25 P/1.5)	3	EA		
28	1130050010	NUT	1	EA		

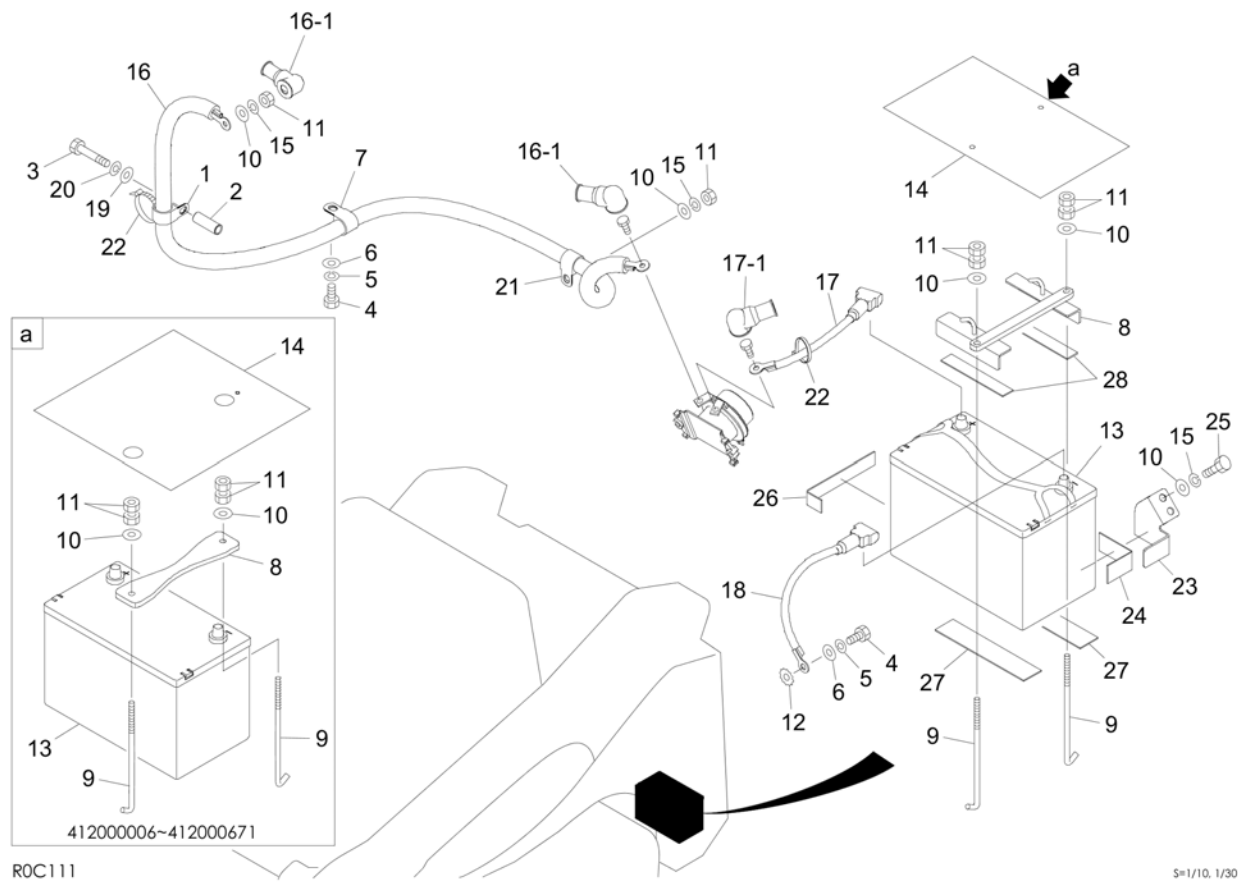


ROC040

S=1/5,1/3

Item	Part No.	Name	Qty	Uom	Remarks	Serial Number
-	PNNA	GPS ASSY (cab)		EA		
-	PNNA	GPS ASSY (canopy)		EA		
1	*****	GPS SUB ASSY	1	EA		
1-1	1730143422	CONTROLLER	1	EA		
1-2	1652520005	NUT	4	EA		
1-3	1141110005	WASHER, flat (ZINC) (5MM)	4	EA		
1-4	1140020005	WASHER, spring	4	EA		
1-5	1110040522	SCREW, cap	4	EA		
1-6	0694200172	HARNESS, wiring	1	EA		
2	*****	GPS ANTENNA ASSY (cab)	1	EA		
2	*****	GPS ANTENNA ASSY (canopy)	1	EA		
2-1	1652201010	CLIP	1	EA		
2-2	1652231250	BAND (1st aux. Proportion)	1	EA		
2-3	1730143440	ANTENNA	1	EA		
2-5	1652201007	BAND	1	EA		
3	1730143422	CONTROLLER	1	EA		
3	1730143910	KUBOTA ZTR KIT	1	EA		
3-1	1730143422	CONTROLLER	1	EA		
3-2	1730143440	ANTENNA	1	EA		

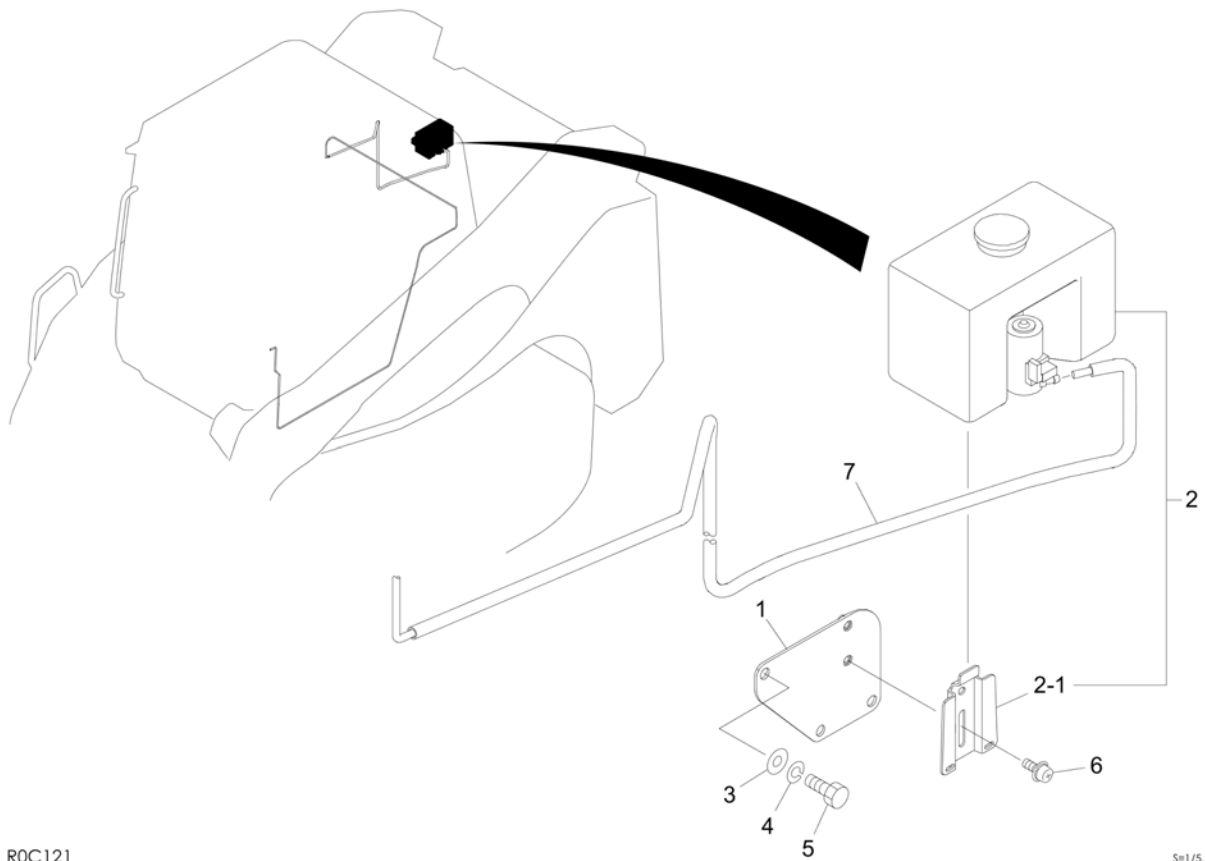
ENGINE & ELECTRICAL SYSTEM BATTERY



ROC111

S=1/10, 1/30

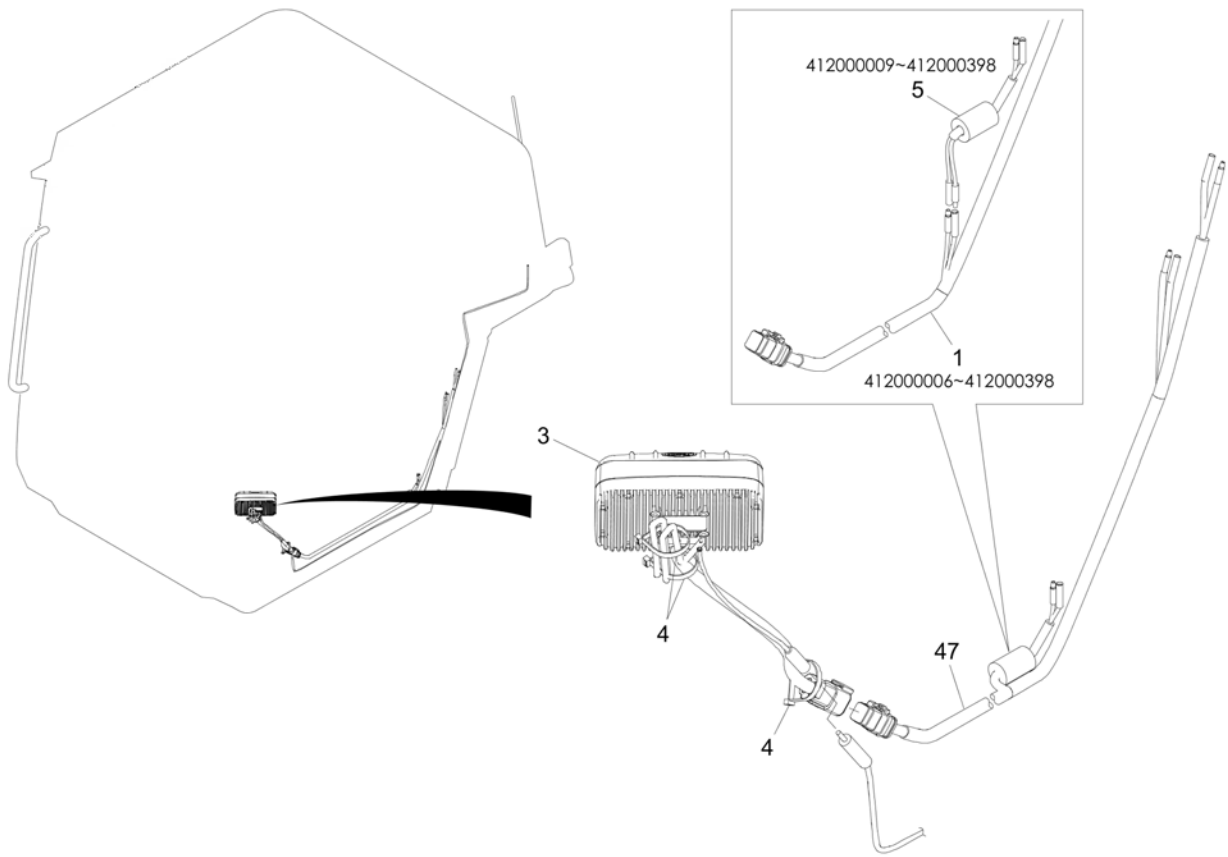
Item	Part No.	Name	Qty	Uom	Remarks	Serial Number
-	PNNA	BATTERY ASSY		EA		
1	1711900122	CLAMP	1	EA		
2	0354216010	COLLAR	1	EA		
3	1102041270	BOLT	1	EA		
4	1100041020	BOLT	2	EA		
5	1140020010	WASHER, spring	2	EA		
6	1141110010	WASHER, plain	2	EA		
7	1711900072	CLAMP	1	EA		
8	0574400990	CLAMP	1	EA		412000006~412000671
8	0694400027	BRACKET	1	EA		412000672~
9	1702108210	BOLT	2	EA		
10	1141110008	WASHER	6	EA		
11	1130050008	NUT	6	EA		
12	1140330010	WASHER	1	EA		
13	1702042531	BATTERY - NO LONGER AVAILABLE	1	EA		
14	0684400006	COVER	1	EA		412000006~412000671
14	0694400028	COVER	1	EA		412000672~
15	1140020008	WASHER, spring	4	EA		
16	0694400002	CABLE, battery	1	EA		
16-1	1702901283	CAP	2	EA		
17	0694400007	CABLE, battery	1	EA		
17-1	1702901283	CAP	1	EA		
18	0694400008	CABLE ASSY, earth	1	EA		
19	1141110012	WASHER	1	EA		
20	1140020012	WASHER, spring (12MM)	1	EA		
21	1652900013	CLAMP	1	EA		
22	1652201005	BAND	2	EA		
23	0694400025	PLATE	1	EA		412000672~
24	0694400021	RUBBER	1	EA		412000672~
25	1100090816	BOLT	2	EA		412000672~
26	0694400026	RUBBER	1	EA		412000672~
27	0694400019	RUBBER	2	EA		412000672~
28	0694401350	RUBBER	2	EA		412000672~



ROC121

S=1/5. 1/30

Item	Part No.	Name	Qty	Uom	Remarks	Serial Number
-	PNNA	WASHER ASSY, window		EA		
1	0698900007	BRACKET	1	EA		
2	1711910290	TANK	1	EA		
2-1	1711910291	BRACKET	1	EA		
3	1141110008	WASHER	3	EA		
4	1140020008	WASHER, spring	3	EA		
5	1100090816	BOLT	3	EA		
6	1150410612	BOLT, sems	2	EA		
7	1703220740	TUBE	1	EA		412000171~

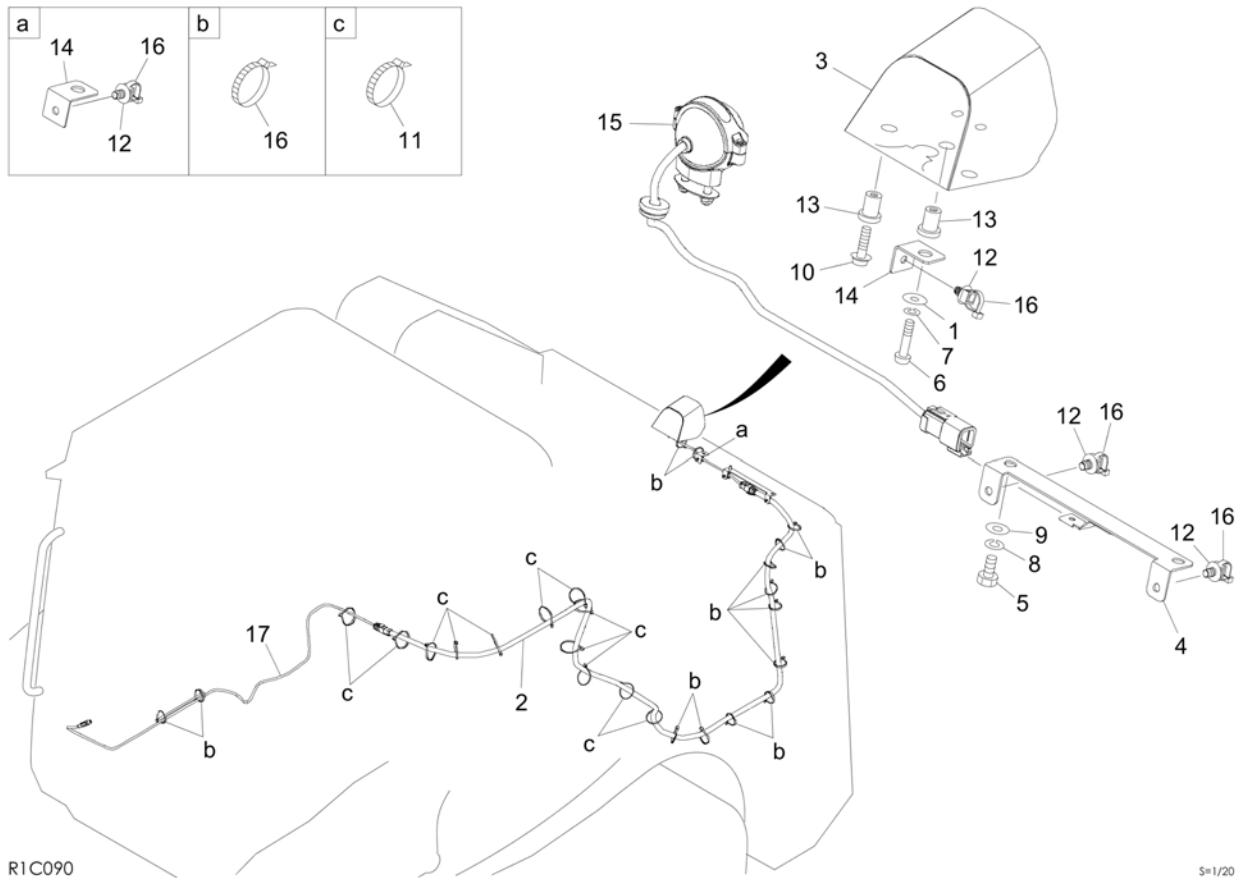
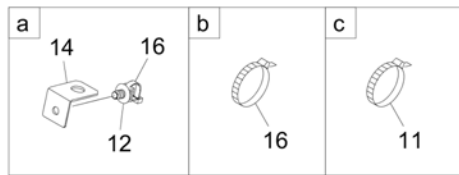


ROC131

S=1/5. 1/20

Item	Part No.	Name	Qty	Uom	Remarks	Serial Number
-	PNNA	RADIO ASSY		EA		
1	0684700001	HARNESS, wiring	1	EA	A	412000006~412000398
3	1705004780	RADIO	1	EA		
4	1652201007	BAND	3	EA		
5	0694700005	HARNESS, wiring	1	EA	A	412000009~412000398
47	0684700004	HARNESS, wiring	1	EA	a	412000399~
-	PNNA	SET "A" is interchangeable with "a".		EA		

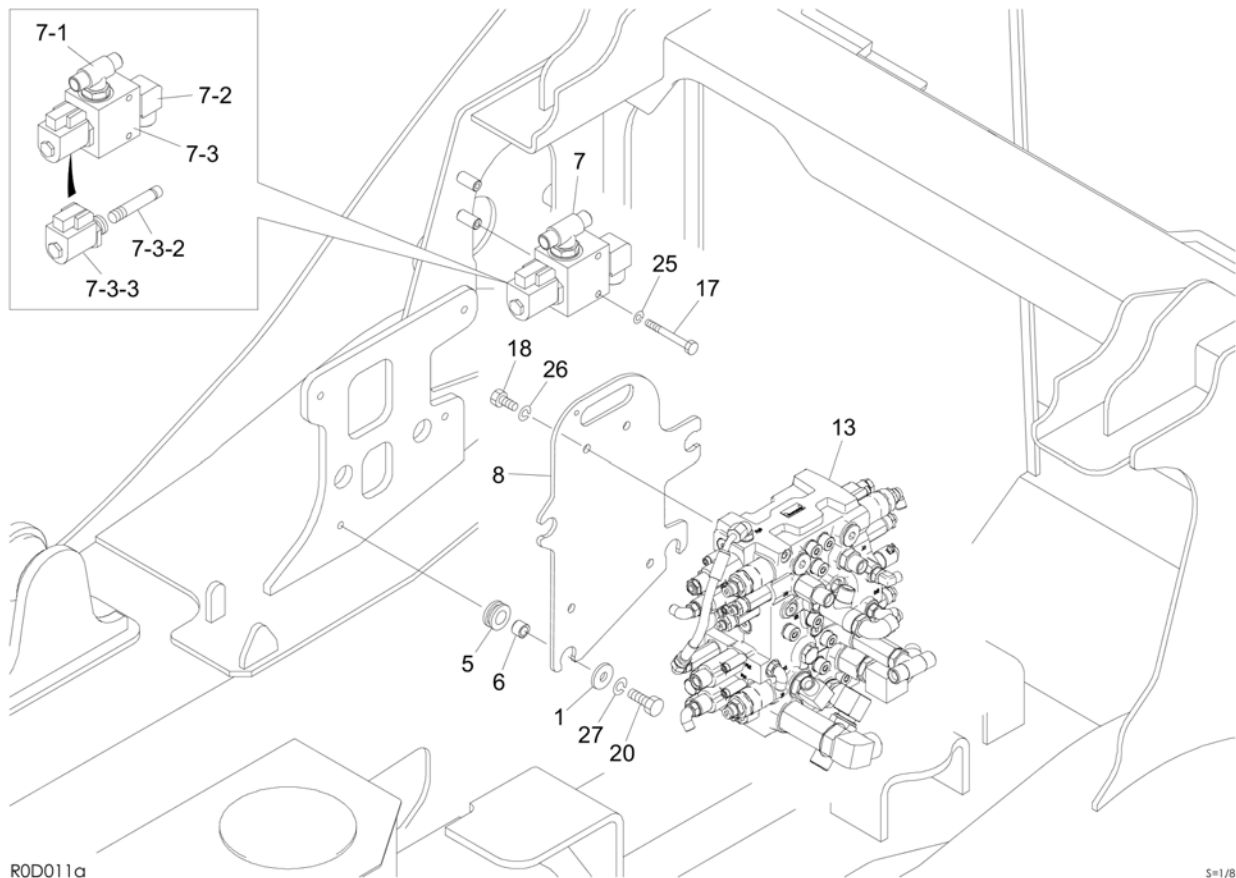
ENGINE & ELECTRICAL SYSTEM REAR VIEW CAMERA



R1C090

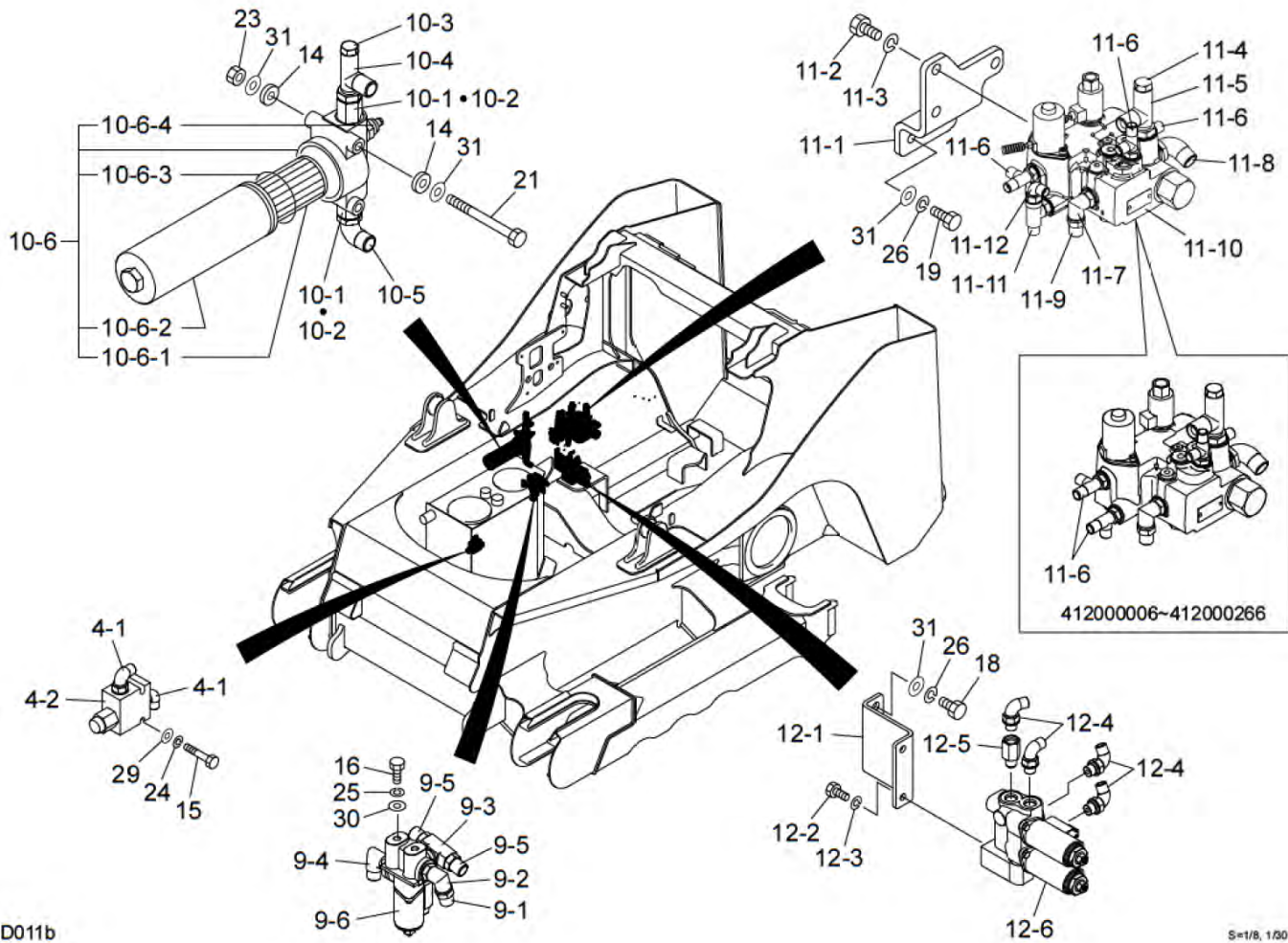
S=1/20

Item	Part No.	Name	Qty	Uom	Remarks	Serial Number
-	PNNA	CAMERA ASSY		EA		
1	0003606202	WASHER	1	EA		
2	0564200221	HARNESS, wiring	1	EA		
3	0694200266	COVER	1	EA		
4	0694200268	BRACKET	1	EA		
5	1100090816	BOLT	1	EA		
6	1120530630	SCREW (4TM6 X 30 P/1.0)	1	EA		
7	1140020006	WASHER, spring	1	EA		
8	1140020008	WASHER, spring	1	EA		
9	1141110008	WASHER	1	EA		
10	1150420625	SCREW, sems	2	EA		
11	1652201007	BAND	12	EA		
12	1652201010	CLIP	4	EA		
13	1652520006	NUT	3	EA		
14	1652900802	BRACKET	2	EA		
15	1711900164	CAMERA, color (REARVIEW)	1	EA		
16	1652201005	BAND	18	EA		
17	1711900204	CABLE (FOR CAMERA)	1	EA		



Item	Part No.	Name	Qty	Uom	Remarks	Serial Number
-	PNNA	VALVE ASSY, control		EA		
-	PNNA	VALVE ASSY, control (A-H type)		EA		
1	0003600136	WASHER	4	EA		
5	0695000022	WASHER, rubber	4	EA		
6	0695000023	PIPE	4	EA		
7	*****	VALVE ASSY, solenoid	1	EA		
7-1	1512374011	TEE	1	EA		
7-1	1420010240	O-RING	1	EA		
7-2	1515010133	ELBOW	1	EA		
7-2	1420010240	O-RING	1	EA		
7-3	1901753600	VALVE, solenoid	1	EA		
7-3-2	1901753602	VALVE	1	EA		
7-3-3	1901753603	COIL	1	EA		
8	0695000092	PLATE	1	EA		
13	*****	VALVE SUB ASSY, control	1	EA	see page (2/2)	
17	1100050875	BOLT (10TM8 X 75 P/1.25)	2	EA		
18	1100041020	BOLT	6	EA		
20	1100051235	BOLT (10TM12 X 35 P/1.75)	4	EA		
25	1140020008	WASHER, spring	4	EA		
26	1140020010	WASHER, spring	8	EA		
27	1140020012	WASHER, spring (12MM)	4	EA		

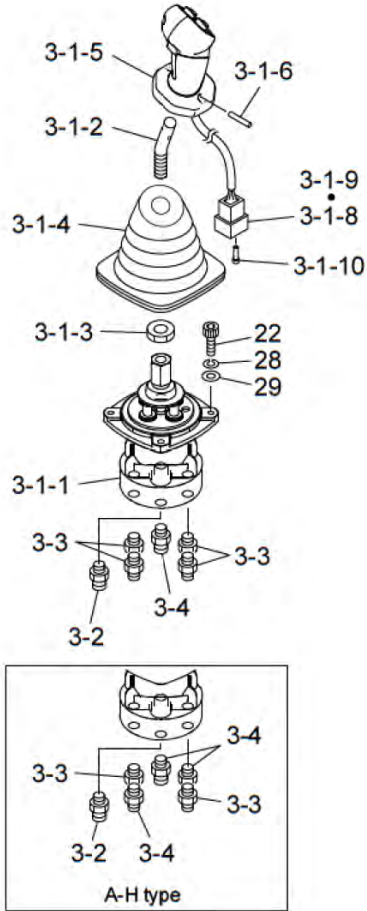
HYDRAULIC PIPING & TANK VALVE & ACCESSORIES (1/2) 2



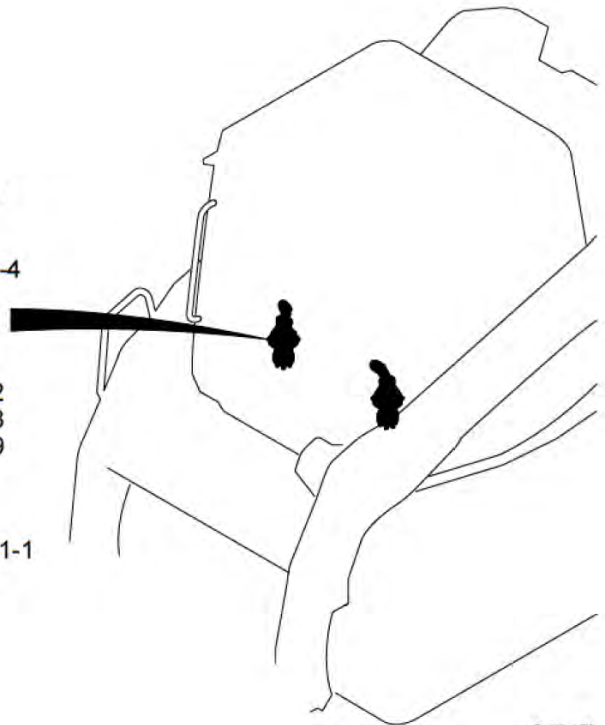
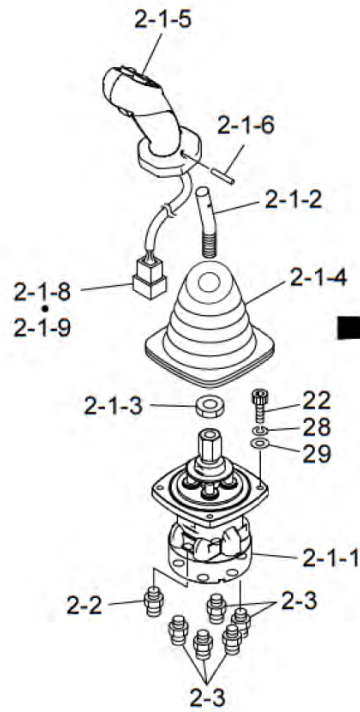
Item	Part No.	Name	Qty	Uom	Remarks	Serial Number
4	*****	VALVE ASSY, emergency	1	EA		
4-1	1515012040	ELBOW	2	EA		
4-1	1420010110	O-RING	1	EA		
4-2	1901764700	VALVE, emergency	1	EA		
9	*****	VALVE ASSY, solenoid	1	EA		
9-1	1512370029	ADAPTOR (with filter)	1	EA		
9-1	1420010110	O-RING	1	EA		
9-2	1513300022	ELBOW	1	EA		
9-2	1420010110	O-RING	1	EA		
9-3	1513370048	TEE	1	EA		
9-3	1420010110	O-RING	1	EA		
9-4	1515010130	ELBOW	1	EA		
9-4	1420010110	O-RING	1	EA		
9-5	1515600571	ADAPTOR	2	EA		
9-5	1420010110	O-RING	1	EA		
9-6	1901765600	VALVE ASSY, solenoid (1-block)	1	EA		
10	*****	FILTER ASSY	1	EA		
10-1	0007213010	CONNECTOR	2	EA		
10-2	1420010180	O-RING	2	EA		
10-3	1501750002	PLUG (FOR O-RING USE # 1420010110)	1	EA		
10-3	1420010110	O-RING	1	EA		
10-4	1512340004	ELBOW	1	EA		
10-4	1420010180	O-RING	1	EA		
10-5	1515012042	ELBOW	1	EA		
10-5	1420010180	O-RING	1	EA		
10-6	1551102500	FILTER	1	EA		
10-6-1	1551101001	FILTER (HYDRAULIC)(USES O-RING PART # 1420110600)	1	EA		
10-6-2	1551101003	CASE	1	EA		
10-6-3	1420100600	O-RING	1	EA		
10-6-4	1551102505	SWITCH, pressure	1	EA		
11	*****	VALVE SUB ASSY	1	EA		
11-1	0695000113	BRACKET	1	EA		
11-2	1100051225	BOLT (10TM12 X 25 P/1.75)	3	EA		
11-3	1140020012	WASHER, spring (12MM)	3	EA		
11-4	1501750002	PLUG (FOR O-RING USE # 1420010110)	1	EA		
11-4	1420010110	O-RING	1	EA		

This page intentionally left blank

Item	Part No.	Name	Qty	Uom	Remarks	Serial Number
11-5	1512340004	ELBOW	1	EA		
11-5	1420010180	O-RING	1	EA		
11-6	1512370011	TEE	4	EA		
11-6	1420010110	O-RING	1	EA		
11-7	1513300022	ELBOW	1	EA		
11-7	1420010110	O-RING	1	EA		
11-8	1515012042	ELBOW	1	EA		
11-8	1420010180	O-RING	1	EA		
11-9	1515600571	ADAPTOR	1	EA		
11-9	1420010110	O-RING	1	EA		
11-10	1901748100	VALVE, sub	1	EA		
12	*****	VALVE ASSY, solenoid	1	EA		
12-1	0695000028	BRACKET	1	EA		
12-2	1100090816	BOLT	2	EA		
12-3	1140020008	WASHER, spring	2	EA		
12-4	1515012040	ELBOW	4	EA		
12-4	1420010110	O-RING	1	EA		
12-5	1513370046	BUSHING (with filter)	1	EA		
12-5	1420010110	O-RING	1	EA		
12-6	1901766400	VALVE, solenoid	1	EA		
14	0882702480	RUBBER	4	EA		
15	1100040640	BOLT	2	EA		
16	1100090816	BOLT	2	EA		
18	1100051020	BOLT (10TM10 X 20 P/1.5)	6	EA		
19	1100051025	BOLT (10TM10 X 25 P/1.5)	2	EA		
21	1100141010	BOLT (10TM10 X 110 P/1.5)	2	EA		
23	1130240010	NUT	2	EA		
24	1140020006	WASHER, spring	2	EA		
25	1140020008	WASHER, spring	4	EA		
26	1140020010	WASHER, spring	8	EA		
29	1141110006	WASHER	10	EA		
30	1141110008	WASHER	2	EA		
31	1141110010	WASHER, plain	8	EA		



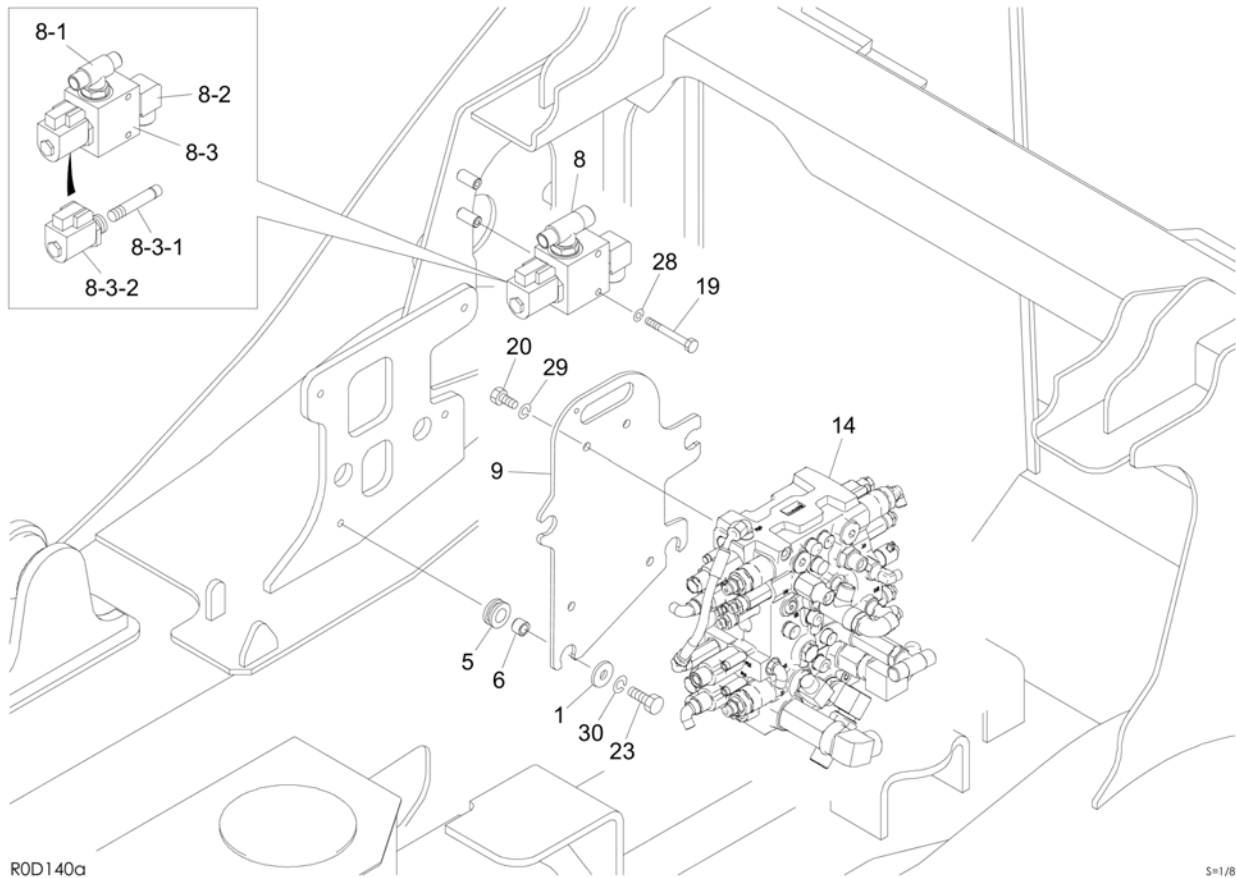
R0D011c



S=1/8, 1/00

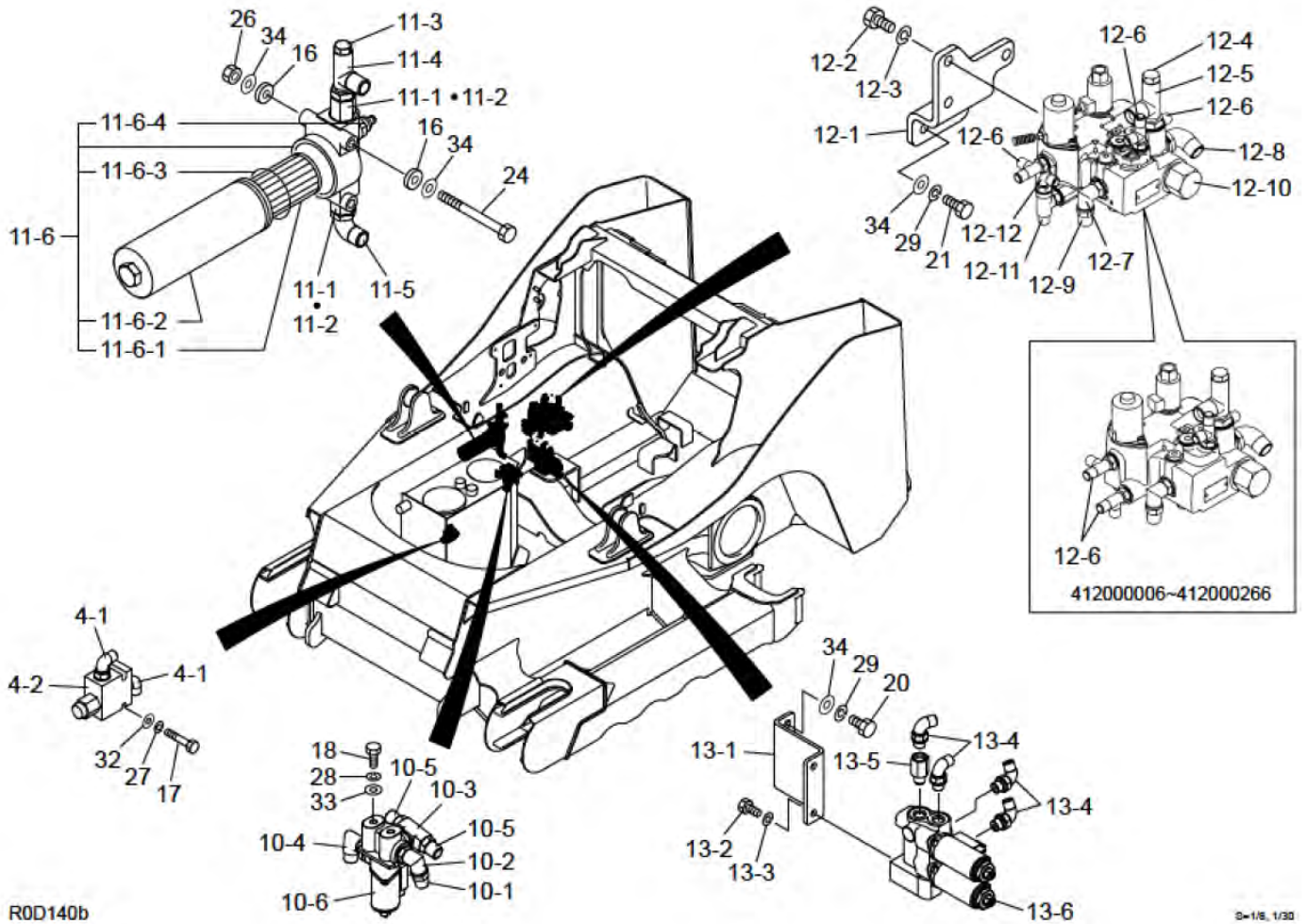
Item	Part No.	Name	Qty	Uom	Remarks	Serial Number
2	*****	VALVE ASSY (L.H.)	1	EA		
2-1	*****	VALVE SUB ASSY (L.H.)	1	EA		
2-1-1	1901753900	VALVE ASSY, pilot (L.H.)	1	EA		
2-1-2	0665101120	LEVER	1	EA		
2-1-3	0665101203	NUT	1	EA		
2-1-4	0375109110	BOOT	1	EA		
2-1-5	1650205523	HANDLE ASSY	1	EA		
2-1-6	1213000540	PIN, spring	1	EA		
2-1-8	0695000108	RECEPTACLE	1	EA		
2-1-9	0695000112	WEDGE	1	EA		
2-2	1512370029	ADAPTOR (with filter)	1	EA		
2-2	1420010110	O-RING	1	EA		
2-3	1515600571	ADAPTOR	5	EA		
2-3	1420010110	O-RING	1	EA		
3		VALVE ASSY (R.H.)	1	EA		
3-1	*****	VALVE SUB ASSY (R.H.)	1	EA		
3-1-1	1901754000	VALVE ASSY, pilot (R.H.)	1	EA		
3-1-2	0665102120	LEVER	1	EA		
3-1-3	0665101203	NUT	1	EA		
3-1-4	0375109110	BOOT	1	EA		
3-1-5	1650205611	HANDLE ASSY	1	EA		
3-1-6	1213000540	PIN, spring	1	EA		
3-1-8	0695000109	RECEPTACLE	1	EA		
3-1-9	0695000111	WEDGE	1	EA		
3-1-10	0695000107	PLUG	3	EA		
3-2	1512370029	ADAPTOR (with filter)	1	EA		
3-2	1420010110	O-RING	1	EA		
3-3	1515600200	ADAPTOR	4	EA		
3-3	1420010110	O-RING	1	EA		
3-4	1515600571	ADAPTOR	1	EA		
3-4	1420010110	O-RING	1	EA		
22	1110050620	BOLT, socket (10TM6 X 20 P/1.0)	8	EA		
28	1140020006	WASHER, spring	8	EA		
29	1141110006	WASHER	10	EA		

HYDRAULIC PIPING & TANK VALVE & ACCESSORIES (1/2) (with ride control) 1



Item	Part No.	Name	Qty	Uom	Remarks	Serial Number
-	PNNA	VALVE ASSY, control		EA		
-	PNNA	VALVE ASSY, control (A-H type)		EA		
1	0003600136	WASHER	4	EA		
5	0695000022	WASHER, rubber	4	EA		
6	0695000023	PIPE	4	EA		
8	*****	VALVE ASSY, solenoid	1	EA		
8-1	1512374011	TEE	1	EA		
8-1	1420010240	O-RING	1	EA		
8-2	1515010133	ELBOW	1	EA		
8-2	1420010240	O-RING	1	EA		
8-3	1901753600	VALVE, solenoid	1	EA		
8-3-1	1901753602	VALVE	1	EA		
8-3-2	1901753603	COIL	1	EA		
9	0695000092	PLATE	1	EA		
14	*****	VALVE SUB ASSY, control	1	EA	see page (2/2)	
19	1100050875	BOLT (10TM8 X 75 P/1.25)	2	EA		
20	1100041020	BOLT	10	EA		
23	1100051235	BOLT (10TM12 X 35 P/1.75)	4	EA		
28	1140020008	WASHER, spring	4	EA		
29	1140020010	WASHER, spring	14	EA		
30	1140020012	WASHER, spring (12MM)	4	EA		

HYDRAULIC PIPING & TANK VALVE & ACCESSORIES (1/2) (with ride control) 2

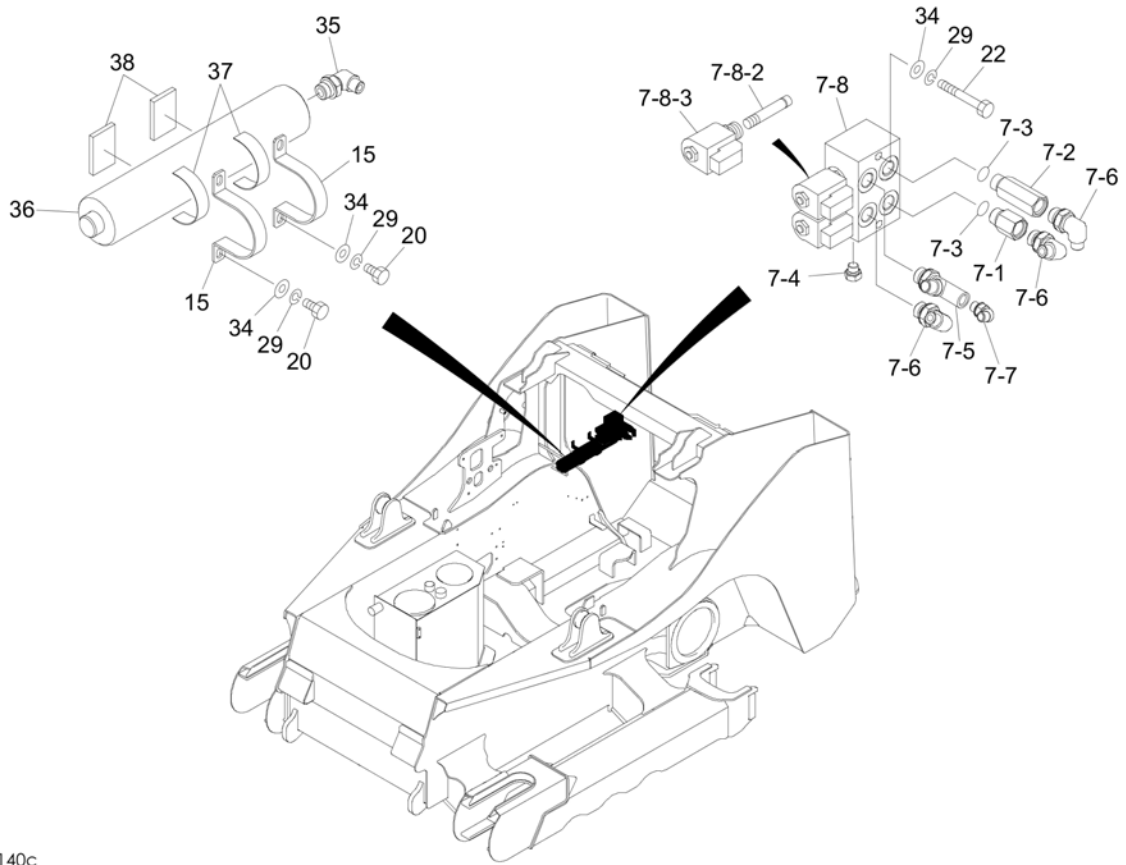


Item	Part No.	Name	Qty	Uom	Remarks	Serial Number
4	*****	VALVE ASSY, emergency	1	EA		
4-1	1515012040	ELBOW	2	EA		
4-1	1420010110	O-RING	1	EA		
4-2	1901764700	VALVE, emergency	1	EA		
10	*****	VALVE ASSY, solenoid	1	EA		
10-1	1512370029	ADAPTOR (with filter)	1	EA		
10-1	1420010110	O-RING	1	EA		
10-2	1513300022	ELBOW	1	EA		
10-2	1420010110	O-RING	1	EA		
10-3	1513370048	TEE	1	EA		
10-3	1420010110	O-RING	1	EA		
10-4	1515010130	ELBOW	1	EA		
10-4	1420010110	O-RING	1	EA		
10-5	1515600571	ADAPTOR	2	EA		
10-5	1420010110	O-RING	1	EA		
10-6	1901765600	VALVE ASSY, solenoid (1-block)	1	EA		
11	*****	FILTER ASSY	1	EA		
11-1	0007213010	CONNECTOR	2	EA		
11-2	1420010180	O-RING	2	EA		
11-3	1501750002	PLUG (FOR O-RING USE # 1420010110)	1	EA		
11-3	1420010110	O-RING	1	EA		
11-4	1512340004	ELBOW	1	EA		
11-4	1420010180	O-RING	1	EA		
11-5	1515012042	ELBOW	1	EA		
11-5	1420010180	O-RING	1	EA		
11-6	1551102500	FILTER	1	EA		
11-6-1	1551101001	FILTER (HYDRAULIC)(USES O-RING PART # 1420110600)	1	EA		
11-6-2	1551101003	CASE	1	EA		
11-6-3	1420100600	O-RING	1	EA		
11-6-4	1551102505	SWITCH, pressure	1	EA		
12	*****	VALVE SUB ASSY	1	EA		
12-1	0695000113	BRACKET	1	EA		
12-2	1100051225	BOLT (10TM12 X 25 P/1.75)	3	EA		
12-3	1140020012	WASHER, spring (12MM)	3	EA		
12-4	1501750002	PLUG (FOR O-RING USE # 1420010110)	1	EA		
12-4	1420010110	O-RING	1	EA		

This page intentionally left blank

Item	Part No.	Name	Qty	Uom	Remarks	Serial Number
12-5	1512340004	ELBOW	1	EA		
12-5	1420010180	O-RING	1	EA		
12-6	1512370011	TEE	4	EA		
12-6	1512370011	TEE	3	EA		
12-6	1420010110	O-RING	1	EA		
12-7	1513300022	ELBOW	1	EA		
12-7	1420010110	O-RING	1	EA		
12-8	1515012042	ELBOW	1	EA		
12-8	1420010180	O-RING	1	EA		
12-9	1515600571	ADAPTOR	1	EA		
12-9	1420010110	O-RING	1	EA		
12-10	1901748100	VALVE, sub	1	EA		
12-11	1513390029	TEE	1	EA		
12-11	1420010110	O-RING	1	EA		
12-12	1515012040	ELBOW	1	EA		
12-12	1420010110	O-RING	1	EA		
13	*****	VALVE ASSY, solenoid		EA		
13-1	0695000028	BRACKET	1	EA		
13-2	1100090816	BOLT	2	EA		
13-3	1140020008	WASHER, spring	2	EA		
13-4	1515012040	ELBOW	4	EA		
13-4	1420010110	O-RING	1	EA		
13-5	1513370046	BUSHING (with filter)	1	EA		
13-5	1420010110	O-RING	1	EA		
13-6	1901766400	VALVE, solenoid	1	EA		
16	0882702480	RUBBER	4	EA		
17	1100040640	BOLT	2	EA		
18	1100090816	BOLT	2	EA		
20	1100041020	BOLT	10	EA		
21	1100051025	BOLT (10TM10 X 25 P/1.5)	2	EA		
24	1100141010	BOLT (10TM10 X 110 P/1.5)	2	EA		
26	1130240010	NUT	2	EA		
27	1140020006	WASHER, spring	2	EA		
28	1140020008	WASHER, spring	4	EA		
29	1140020010	WASHER, spring	14	EA		
32	1141110006	WASHER	10	EA		
33	1141110008	WASHER	2	EA		
34	1141110010	WASHER, plain	14	EA		

HYDRAULIC PIPING & TANK VALVE & ACCESSORIES (1/2) (with ride control) 3

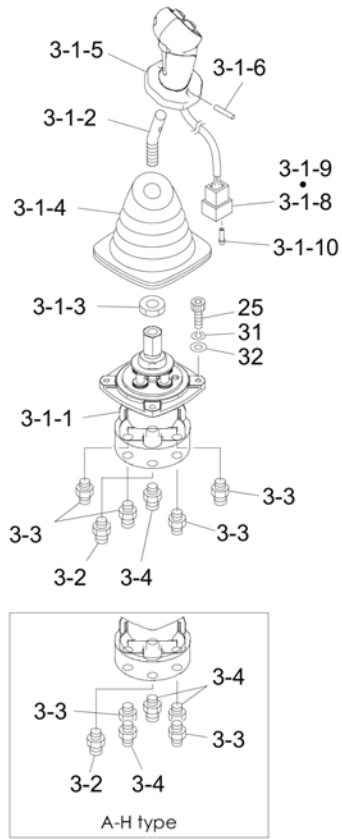


ROD140c

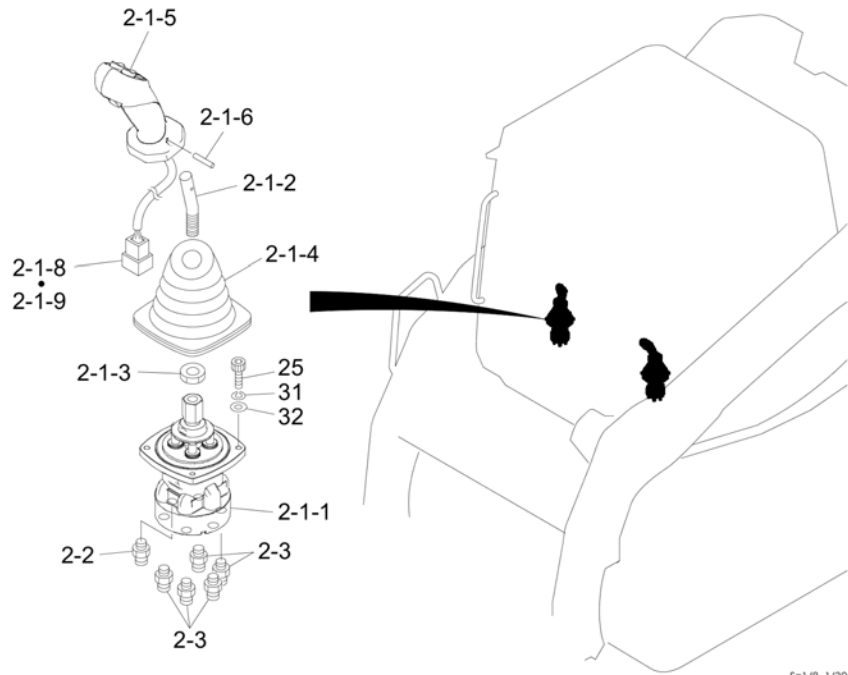
S=1/8. 1/30

Item	Part No.	Name	Qty	Uom	Remarks	Serial Number
7	*****	VALVE ASSY, solenoid	1	EA		
7-1	0007213010	CONNECTOR	1	EA		
7-2	0007213038	BUSHING	1	EA		
7-3	1420010180	O-RING	2	EA		
7-4	1501750002	PLUG (FOR O-RING USE # 1420010110)	1	EA		
7-4	1420010110	O-RING	1	EA		
7-5	1512340003	ELBOW	1	EA		
7-5	1420010180	O-RING	1	EA		
7-6	1515010051	ELBOW	3	EA		
7-6	1420010180	O-RING	1	EA		
7-7	1515012040	ELBOW	1	EA		
7-7	1420010110	O-RING	1	EA		
7-8	1901759700	VALVE, solenoid	1	EA		
7-8-2	1901759702	VALVE	1	EA		
7-8-3	1901759703	COIL	1	EA		
15	0695010020	CLAMP	2	EA		
20	1100041020	BOLT	10	EA		
22	1100051075	BOLT (M10X75 P1.5)	2	EA		
29	1140020010	WASHER, spring	14	EA		
34	1141110010	WASHER, plain	14	EA		
35	1515010051	ELBOW	1	EA		
35	1420010180	O-RING	1	EA		
36	1552200040	ACCUMULATOR	1	EA		
37	0695010030	RUBBER	2	EA		
38	0695010040	RUBBER	2	EA		

HYDRAULIC PIPING & TANK VALVE & ACCESSORIES (1/2) (with ride control) 4



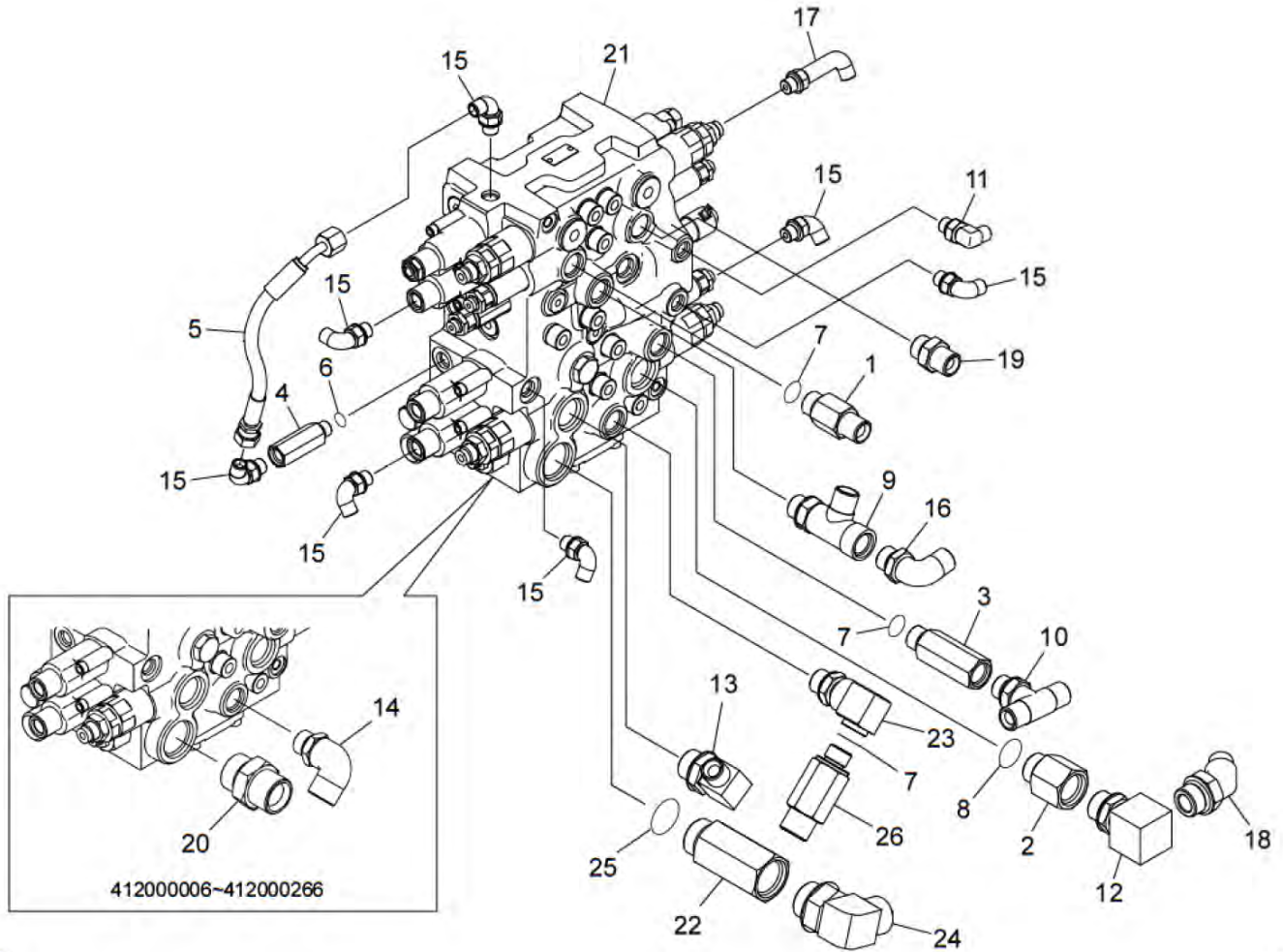
ROD140d



S=1/8. 1/30

Item	Part No.	Name	Qty	Uom	Remarks	Serial Number
2	*****	VALVE ASSY (L.H.)	1	EA		
2-1	*****	VALVE SUB ASSY (L.H.)	1	EA		
2-1-1	1901753900	VALVE ASSY, pilot (L.H.)	1	EA		
2-1-2	0665101120	LEVER	1	EA		
2-1-3	0665101203	NUT	1	EA		
2-1-4	0375109110	BOOT	1	EA		
2-1-5	1650205523	HANDLE ASSY	1	EA		
2-1-6	1213000540	PIN, spring	1	EA		
2-1-8	0695000108	RECEPTACLE	1	EA		
2-1-9	0695000112	WEDGE	1	EA		
2-2	1512370029	ADAPTOR (with filter)	1	EA		
2-2	1420010110	O-RING	1	EA		
2-3	1515600571	ADAPTOR	5	EA		
2-3	1420010110	O-RING	1	EA		
3		VALVE ASSY (R.H.)	1	EA		
3	*****	VALVE ASSY (R.H.) (A-H type)	1	EA		
3-1	*****	VALVE SUB ASSY (R.H.)	1	EA		
3-1-1	1901754000	VALVE ASSY, pilot (R.H.)	1	EA		
3-1-2	0665102120	LEVER	1	EA		
3-1-3	0665101203	NUT	1	EA		
3-1-4	0375109110	BOOT	1	EA		
3-1-5	1650205611	HANDLE ASSY	1	EA		
3-1-6	1213000540	PIN, spring	1	EA		
3-1-8	0695000109	RECEPTACLE	1	EA		
3-1-9	0695000111	WEDGE	1	EA		
3-1-10	0695000107	PLUG	3	EA		
3-2	1512370029	ADAPTOR (with filter)	1	EA		
3-2	1420010110	O-RING	1	EA		
3-3	1515600200	ADAPTOR	2	EA	A-H type	
3-3	1515600200	ADAPTOR	4	EA		
3-3	1420010110	O-RING	1	EA		
3-4	1515600571	ADAPTOR	1	EA		
3-4	1515600571	ADAPTOR	3	EA	A-H type	
3-4	1420010110	O-RING	1	EA		
25	1110050620	BOLT, socket (10TM6 X 20 P/1.0)	8	EA		
31	1140020006	WASHER, spring	8	EA		
32	1141110006	WASHER	10	EA		

HYDRAULIC PIPING & TANK VALVE & ACCESSORIES (2/2)



R0D021

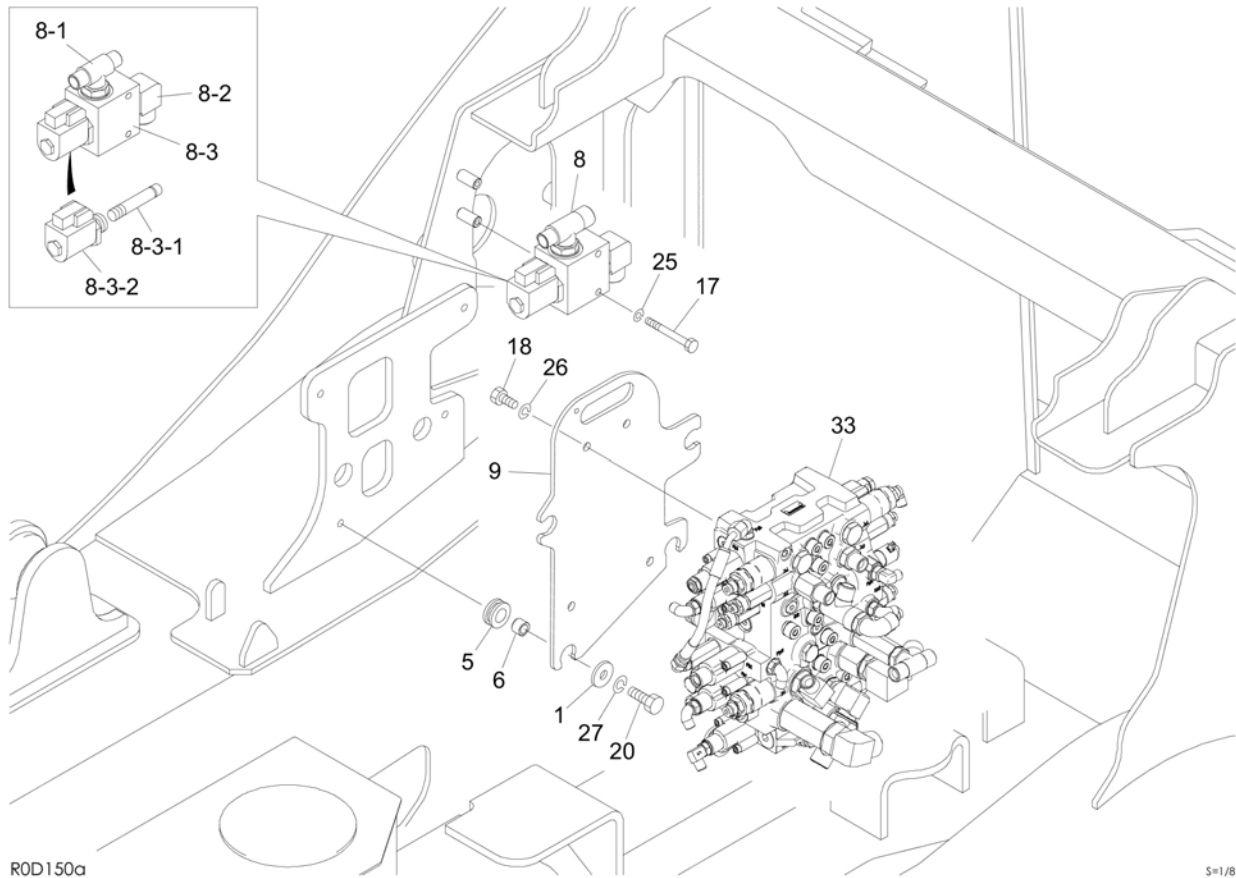
S=1/8

Item	Part No.	Name	Qty	Uom	Remarks	Serial Number
0-1	*****	VALVE SUB ASSY, control	1	EA		
1	0007203033	ADAPTOR	1	EA		
2	0007213034	BUSHING	1	EA		
3	0007213038	BUSHING	1	EA		
4	0007213061	BUSHING	1	EA		
5	0687000052	HOSE ASSY	1	EA	18010-79024	
6	1420010110	O-RING	1	EA		
7	1420010180	O-RING	2	EA		412000006~412000266
7	1420010180	O-RING	3	EA		412000267~
8	1420010240	O-RING	1	EA		
9	1512340021	ELBOW	1	EA		
9	1420010180	O-RING	1	EA		
10	1512374002	TEE	1	EA		
10	1420010180	O-RING	1	EA		
11	1512375004	ELBOW (with filter)	1	EA		
11	1420010110	O-RING	1	EA		
12	1513300029	ELBOW	1	EA		
12	1420010240	O-RING	1	EA		
13	1515010052	ELBOW	1	EA		
13	1420010240	O-RING	1	EA		
14	1515010132	ELBOW	1	EA		412000006~412000266
14	1420010180	O-RING	1	EA		
15	1515012040	ELBOW	7	EA		
15	1420010110	O-RING	1	EA		
16	1515012042	ELBOW	1	EA		
16	1420010180	O-RING	1	EA		
17	1515012510	ELBOW	1	EA		
17	1420010110	O-RING	1	EA		
18	1515100048	ELBOW	1	EA		
18	1420010240	O-RING	1	EA		
19	1515600202	ADAPTOR	1	EA		
19	1420010180	O-RING	1	EA		
20	1515600204	ADAPTOR	1	EA		412000006~412000266
20	1420010290	O-RING	1	EA		
21	1901055800	VALVE ASSY, control	1	EA		
22	0007213092	BUSHING	1	EA		412000267~
23	1513300015	ELBOW	1	EA		412000267~
23	1420010180	O-RING	1	EA		412000267~

This page intentionally left blank

Item	Part No.	Name	Qty	Uom	Remarks	Serial Number
24	1515010044	ELBOW	1	EA		412000267~
24	1420010290	O-RING	1	EA		412000267~
25	1420010290	O-RING	1	EA		412000267~
26	0007203076	ADAPTOR	1	EA		412000267~

HYDRAULIC PIPING & TANK VALVE & ACCESSORIES (1/2) (high flow) 1

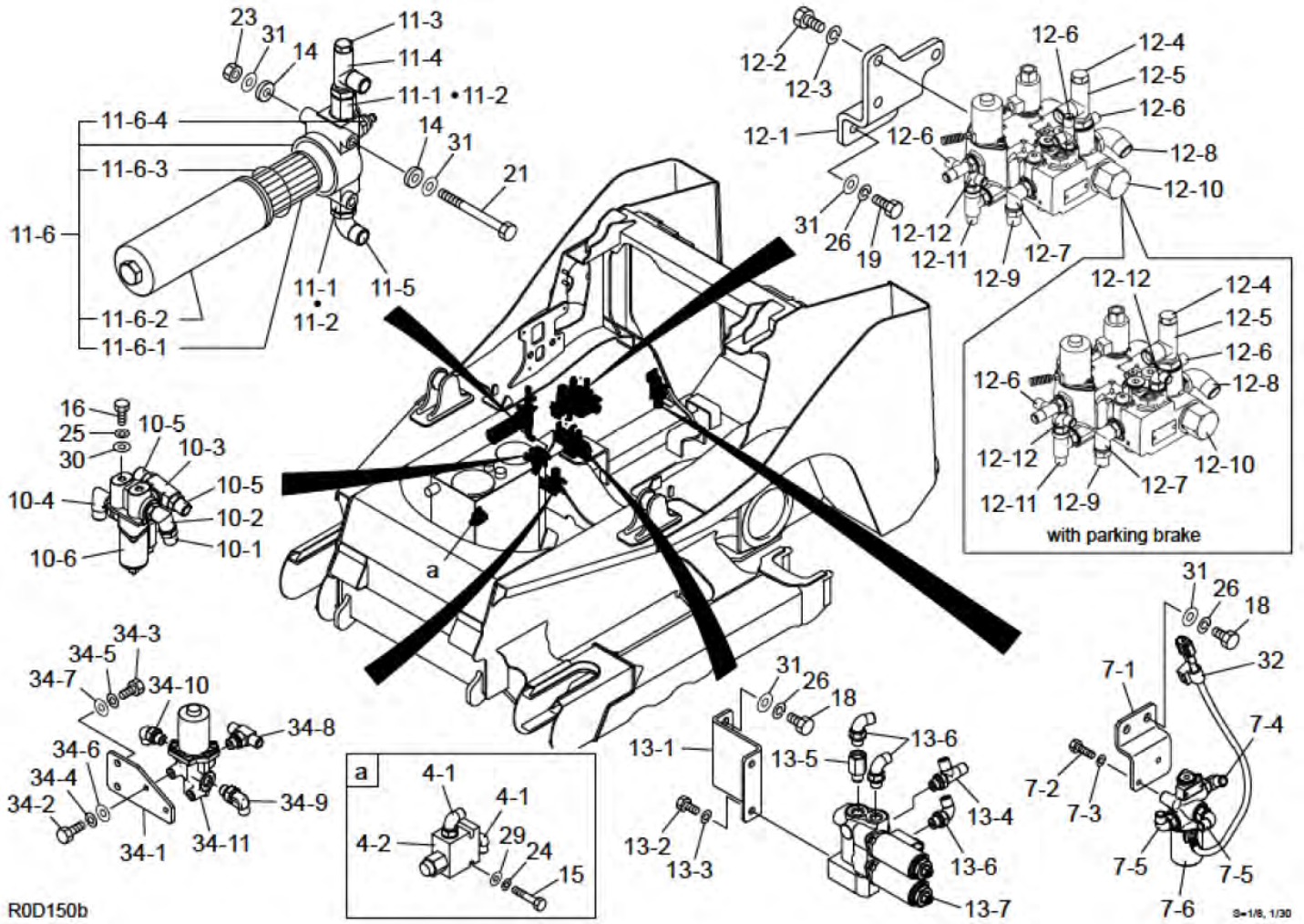


ROD150a

S=1/8

Item	Part No.	Name	Qty	Uom	Remarks	Serial Number
-	PNNA	VALVE ASSY, control		EA		
-	PNNA	VALVE ASSY, control (with parking brake)		EA		
1	0003600136	WASHER	4	EA		
5	0695000022	WASHER, rubber	4	EA		
6	0695000023	PIPE	4	EA		
8	*****	VALVE ASSY, solenoid	1	EA		
8-1	1512374012	TEE	1	EA		
8-1	1420010240	O-RING	1	EA		
8-2	1515010133	ELBOW	1	EA		
8-2	1420010240	O-RING	1	EA		
8-3	1901753600	VALVE, solenoid	1	EA		
8-3-1	1901753602	VALVE	1	EA		
8-3-2	1901753603	COIL	1	EA		
9	0695000092	PLATE	1	EA		
17	1100050875	BOLT (10TM8 X 75 P/1.25)	2	EA		
18	1100041020	BOLT	8	EA		
20	1100051235	BOLT (10TM12 X 35 P/1.75)	4	EA		
25	1140020008	WASHER, spring	4	EA		
26	1140020010	WASHER, spring	10	EA		
27	1140020012	WASHER, spring (12MM)	4	EA		
33	*****	VALVE SUB ASSY, control	1	EA	see page (2/2)	

HYDRAULIC PIPING & TANK VALVE & ACCESSORIES (1/2) (high flow) 2



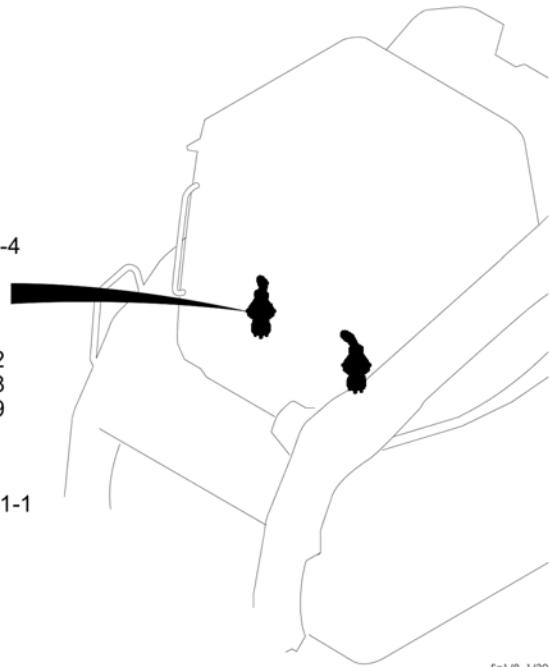
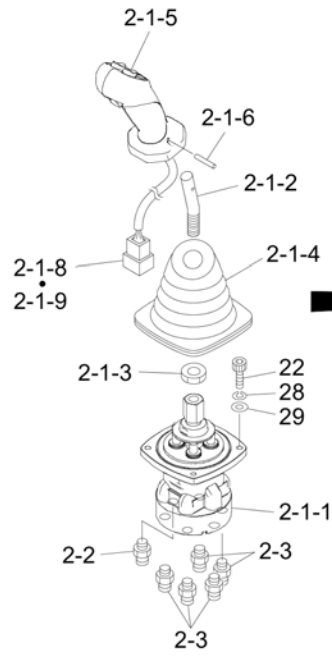
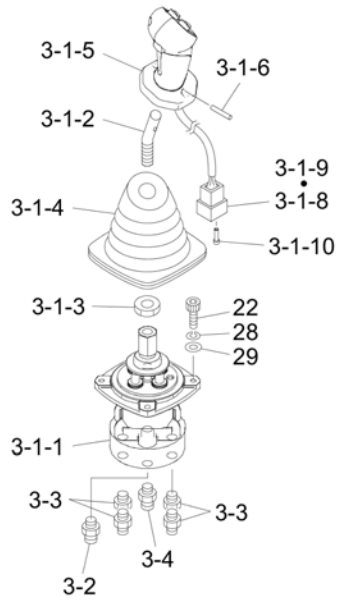
Item	Part No.	Name	Qty	Uom	Remarks	Serial Number
4	*****	VALVE ASSY, emergency	1	EA		
4-1	1515012040	ELBOW	2	EA		
4-1	1420010110	O-RING	1	EA		
4-2	1901764700	VALVE, emergency	1	EA		
7	*****	VALVE ASSY, solenoid	1	EA		
7-1	0665000007	BRACKET	1	EA		
7-2	1100050620	BOLT (10TM6 X 20 P/1.0)	2	EA		
7-3	1140020006	WASHER, spring	2	EA		
7-4	1512375004	ELBOW (with filter)	1	EA		
7-4	1420010110	O-RING	1	EA		
7-5	1515012040	ELBOW	2	EA		
7-5	1420010110	O-RING	1	EA		
7-6	1901756100	VALVE, solenoid	1	EA		
10	*****	VALVE ASSY, solenoid	1	EA		
10-1	1512370029	ADAPTOR (with filter)	1	EA		
10-1	1420010110	O-RING	1	EA		
10-2	1513300022	ELBOW	1	EA		
10-2	1420010110	O-RING	1	EA		
10-3	1513370048	TEE	1	EA		
10-3	1420010110	O-RING	1	EA		
10-4	1515010130	ELBOW	1	EA		
10-4	1420010110	O-RING	1	EA		
10-5	1515600571	ADAPTOR	2	EA		
10-5	1420010110	O-RING	1	EA		
10-6	1901765600	VALVE ASSY, solenoid (1-block)	1	EA		
11	*****	FILTER ASSY	1	EA		
11-1	0007213010	CONNECTOR	2	EA		
11-2	1420010180	O-RING	2	EA		
11-3	1501750002	PLUG (FOR O-RING USE # 1420010110)	1	EA		
11-3	1420010110	O-RING	1	EA		
11-4	1512340004	ELBOW	1	EA		
11-4	1420010180	O-RING	1	EA		
11-5	1515012042	ELBOW	1	EA		
11-5	1420010180	O-RING	1	EA		
11-6	1551102500	FILTER	1	EA		
11-6-1	1551101001	FILTER (HYDRAULIC)(USES O-RING PART # 1420110600)	1	EA		
11-6-2	1551101003	CASE	1	EA		

This page intentionally left blank

Item	Part No.	Name	Qty	Uom	Remarks	Serial Number
11-6-3	1420100600	O-RING	1	EA		
11-6-4	1551102505	SWITCH, pressure	1	EA		
12	*****	VALVE SUB ASSY	1	EA		
12	*****	VALVE SUB ASSY (with parking brake)	1	EA		
12-1	0695000113	BRACKET	1	EA		
12-2	1100051225	BOLT (10TM12 X 25 P/1.75)	3	EA		
12-3	1140020012	WASHER, spring (12MM)	3	EA		
12-4	1501750002	PLUG (FOR O-RING USE # 1420010110)	1	EA		
12-4	1420010110	O-RING	1	EA		
12-5	1512340004	ELBOW	1	EA		
12-5	1420010180	O-RING	1	EA		
12-6	1512370011	TEE	3	EA		
12-6	1512370011	TEE	2	EA	with parking brake	
12-6	1420010110	O-RING	1	EA		
12-7	1513300022	ELBOW	1	EA		
12-7	1420010110	O-RING	1	EA		
12-8	1515012042	ELBOW	1	EA		
12-8	1420010180	O-RING	1	EA		
12-9	1515600571	ADAPTOR	1	EA		
12-9	1420010110	O-RING	1	EA		
12-10	1901748100	VALVE, sub	1	EA		
12-11	1513390029	TEE	1	EA		
12-11	1420010110	O-RING	1	EA		
12-12	1515012040	ELBOW	1	EA		
12-12	1515012040	ELBOW	2	EA	with parking brake	
13	*****	VALVE ASSY, solenoid	1	EA		
13-1	0695000028	BRACKET	1	EA		
13-2	1100090816	BOLT	2	EA		
13-3	1140020008	WASHER, spring	2	EA		
13-4	1512370011	TEE	1	EA		
13-4	1420010110	O-RING	1	EA		
13-5	1513370046	BUSHING (with filter)	1	EA		
13-5	1420010110	O-RING	1	EA		
13-6	1515012040	ELBOW	3	EA		
13-6	1420010110	O-RING	1	EA		
13-7	1901766400	VALVE, solenoid	1	EA		
14	0882702480	RUBBER	4	EA		
15	1100040640	BOLT	2	EA		

This page intentionally left blank

Item	Part No.	Name	Qty	Uom	Remarks	Serial Number
16	1100090816	BOLT	2	EA		
18	1100041020	BOLT	8	EA		
19	1100051025	BOLT (10TM10 X 25 P/1.5)	2	EA		
21	1100141010	BOLT (10TM10 X 110 P/1.5)	2	EA		
23	1130240010	NUT	2	EA		
24	1140020006	WASHER, spring	2	EA		
25	1140020008	WASHER, spring	4	EA		
26	1140020010	WASHER, spring	10	EA		
29	1141110006	WASHER	10	EA		
30	1141110008	WASHER	2	EA		
31	1141110010	WASHER, plain	10	EA		
32	1652900407	CLAMP	1	EA		
34	*****	VALVE ASSY, solenoid (with parking brake)	1	EA		
34-1	0695000142	PLATE	1	EA		
34-2	1100050620	BOLT (10TM6 X 20 P/1.0)	2	EA		
34-3	1100090816	BOLT	2	EA		
34-4	1140020006	WASHER, spring	2	EA		
34-5	1140020008	WASHER, spring	2	EA		
34-6	1141110006	WASHER	2	EA		
34-7	1141110008	WASHER	2	EA		
34-8	1512370010	ADAPTOR	1	EA		
34-8	1420010110	O-RING	1	EA		
34-9	1512375004	ELBOW (with filter)	1	EA		
34-9	1420010110	O-RING	1	EA		
34-10	1515012040	ELBOW	1	EA		
34-10	1420010110	O-RING	1	EA		
34-11	1901756100	VALVE, solenoid	1	EA		

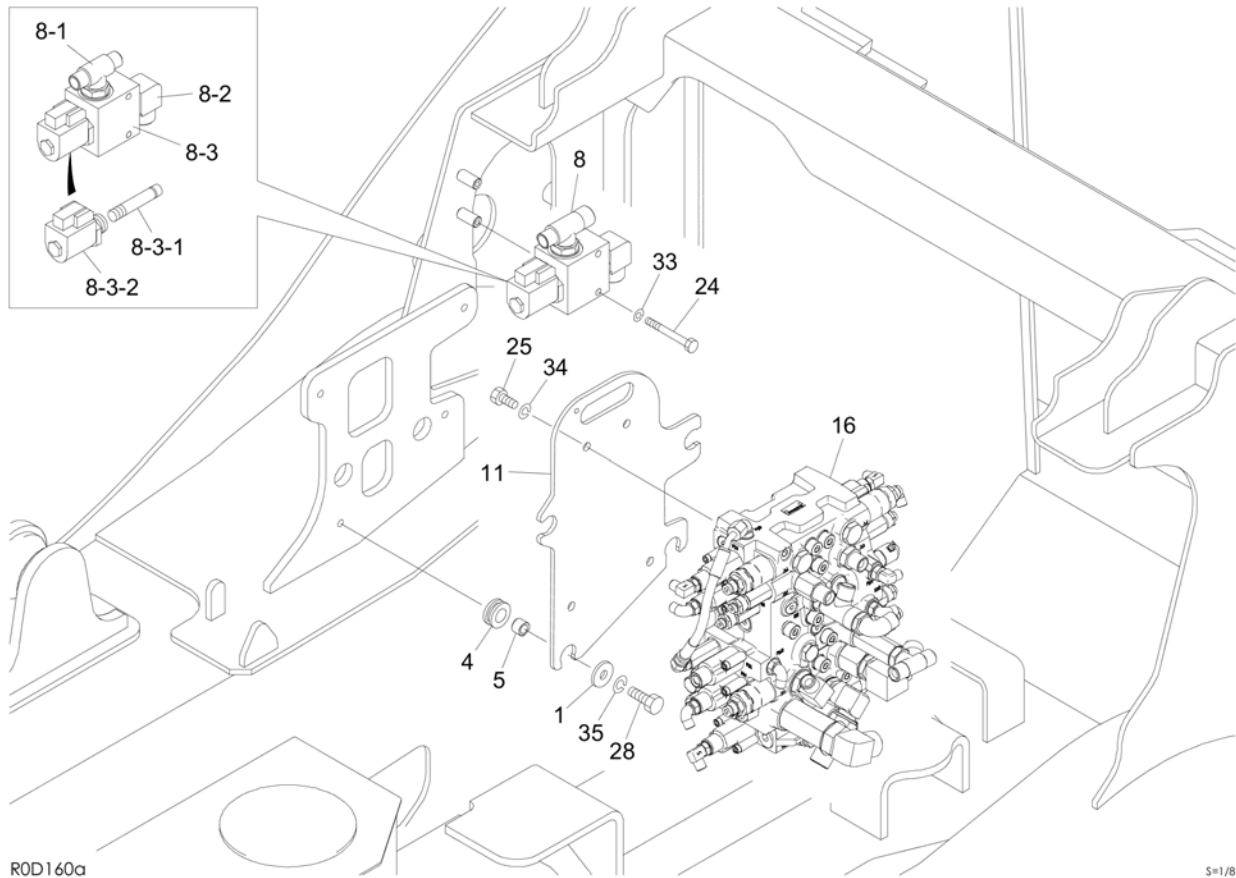


ROD150c

S=1/8. 1/30

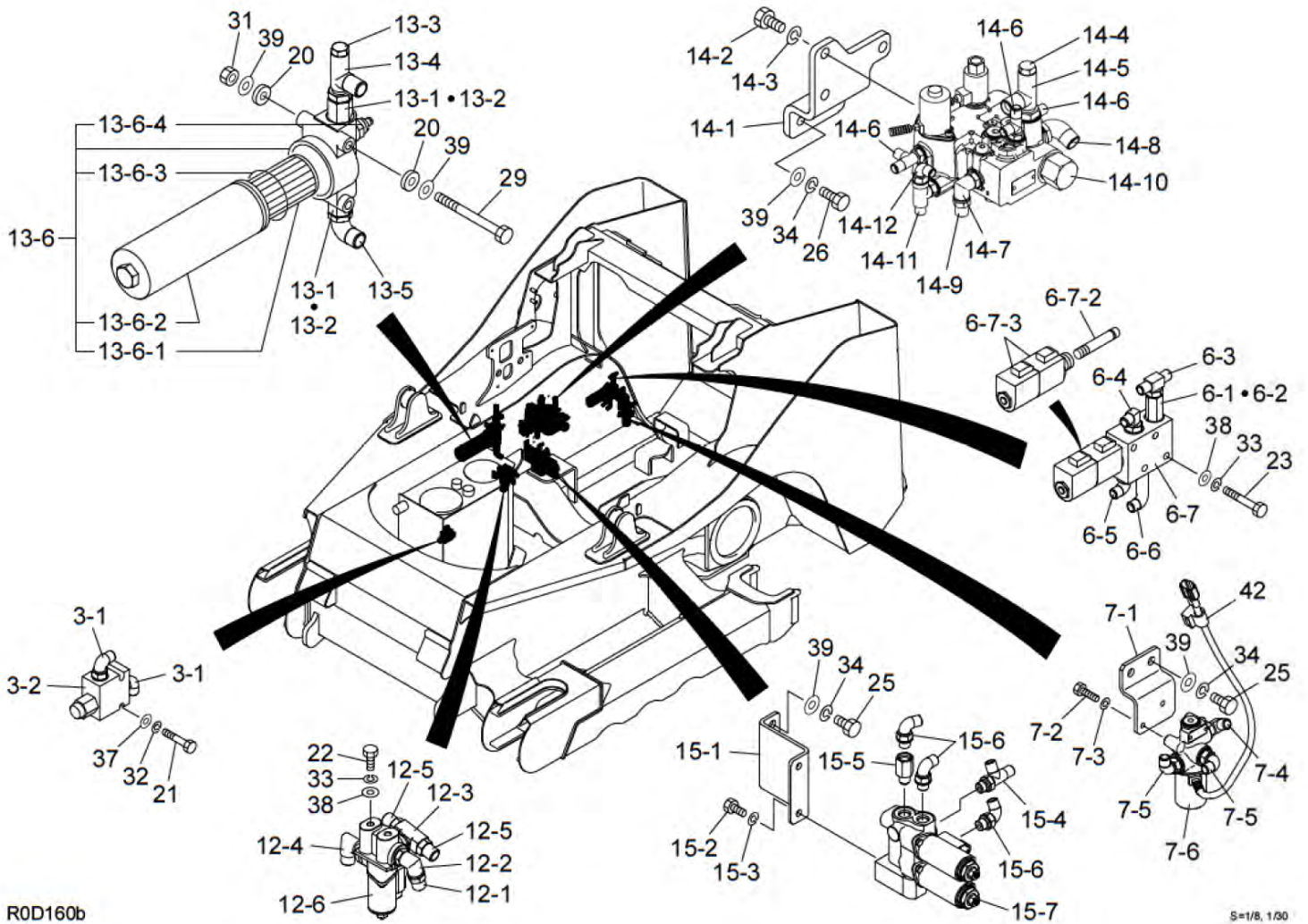
Item	Part No.	Name	Qty	Uom	Remarks	Serial Number
2	*****	VALVE ASSY (L.H.)	1	EA		
2-1	*****	VALVE SUB ASSY (L.H.)	1	EA		
2-1-1	1901753900	VALVE ASSY, pilot (L.H.)	1	EA		
2-1-2	0665101120	LEVER	1	EA		
2-1-3	0665101203	NUT	1	EA		
2-1-4	0375109110	BOOT	1	EA		
2-1-5	1650205523	HANDLE ASSY	1	EA		
2-1-6	1213000540	PIN, spring	1	EA		
2-1-8	0695000108	RECEPTACLE	1	EA		
2-1-9	0695000112	WEDGE	1	EA		
2-2	1512370029	ADAPTOR (with filter)	1	EA		
2-2	1420010110	O-RING	1	EA		
2-3	1515600571	ADAPTOR	5	EA		
2-3	1420010110	O-RING	1	EA		
3		VALVE ASSY (R.H.)	1	EA		
3-1	*****	VALVE SUB ASSY (R.H.)	1	EA		
3-1-1	1901754000	VALVE ASSY, pilot (R.H.)	1	EA		
3-1-2	0665102120	LEVER	1	EA		
3-1-3	0665101203	NUT	1	EA		
3-1-4	0375109110	BOOT	1	EA		
3-1-5	1650205611	HANDLE ASSY	1	EA		
3-1-6	1213000540	PIN, spring	1	EA		
3-1-8	0695000109	RECEPTACLE	1	EA		
3-1-9	0695000111	WEDGE	1	EA		
3-1-10	0695000107	PLUG	3	EA		
3-2	1512370029	ADAPTOR (with filter)	1	EA		
3-2	1420010110	O-RING	1	EA		
3-3	1515600200	ADAPTOR	4	EA		
3-3	1420010110	O-RING	1	EA		
3-4	1515600571	ADAPTOR	1	EA		
3-4	1420010110	O-RING	1	EA		
22	1110050620	BOLT, socket (10TM6 X 20 P/1.0)	8	EA		
28	1140020006	WASHER, spring	8	EA		
29	1141110006	WASHER	10	EA		

HYDRAULIC PIPING & TANK VALVE & ACCESSORIES (1/2) (high flow) (2nd aux. line plug type) 1



Item	Part No.	Name	Qty	Uom	Remarks	Serial Number
-	PNNA	VALVE ASSY, control		EA		
1	0003600136	WASHER	4	EA		
4	0695000022	WASHER, rubber	4	EA		
5	0695000023	PIPE	4	EA		
8	*****	VALVE ASSY, solenoid	1	EA		
8-1	1512374012	TEE	1	EA		
8-1	1420010240	O-RING	1	EA		
8-2	1515010133	ELBOW	1	EA		
8-2	1420010240	O-RING	1	EA		
8-3	1901753600	VALVE, solenoid	1	EA		
8-3-1	1901753602	VALVE	1	EA		
8-3-2	1901753603	COIL	1	EA		
11	0695000092	PLATE	1	EA		
16	*****	VALVE SUB ASSY, control	1	EA	see page (2/2)	
24	1100050875	BOLT (10TM8 X 75 P/1.25)	2	EA		
25	1100041020	BOLT	12	EA		
28	1100051235	BOLT (10TM12 X 35 P/1.75)	4	EA		
33	1140020008	WASHER, spring	6	EA		
34	1140020010	WASHER, spring	16	EA		
35	1140020012	WASHER, spring (12MM)	4	EA		

HYDRAULIC PIPING & TANK VALVE & ACCESSORIES (1/2) (high flow) (2nd aux. line plug type) 2



Item	Part No.	Name	Qty	Uom	Remarks	Serial Number
3	*****	VALVE ASSY, emergency	1	EA		
3-1	1515012040	ELBOW	2	EA		
3-1	1420010110	O-RING	1	EA		
3-2	1901764700	VALVE, emergency	1	EA		
6	*****	VALVE ASSY, solenoid	1	EA		
6-1	0007213028	BUSHING	1	EA		
6-2	1420010110	O-RING	1	EA		
6-3	1512370010	ADAPTOR	1	EA		
6-3	1420010110	O-RING	1	EA		
6-4	1512375004	ELBOW (with filter)	1	EA		
6-4	1420010110	O-RING	1	EA		
6-5	1515012040	ELBOW	1	EA		
6-5	1420010110	O-RING	1	EA		
6-6	1515012510	ELBOW	1	EA		
6-6	1420010110	O-RING	1	EA		
6-7	1901765900	VALVE, solenoid	1	EA		
6-7-2	1901764601	VALVE	1	EA		
6-7-3	1901741703	COIL	2	EA		
7	*****	VALVE ASSY, solenoid	1	EA		
7-1	0665000007	BRACKET	1	EA		
7-2	1100050620	BOLT (10TM6 X 20 P/1.0)	2	EA		
7-3	1140020006	WASHER, spring	2	EA		
7-4	1512375004	ELBOW (with filter)	1	EA		
7-4	1420010110	O-RING	1	EA		
7-5	1515012040	ELBOW	2	EA		
7-5	1420010110	O-RING	1	EA		
7-6	1901756100	VALVE, solenoid	1	EA		
12	*****	VALVE ASSY, solenoid	1	EA		
12-1	1512370029	ADAPTOR (with filter)	1	EA		
12-1	1420010110	O-RING	1	EA		
12-2	1513300022	ELBOW	1	EA		
12-2	1420010110	O-RING	1	EA		
12-3	1513370048	TEE	1	EA		
12-3	1420010110	O-RING	1	EA		
12-4	1515010130	ELBOW	1	EA		
12-4	1420010110	O-RING	1	EA		
12-5	1515600571	ADAPTOR	2	EA		
12-5	1420010110	O-RING	1	EA		

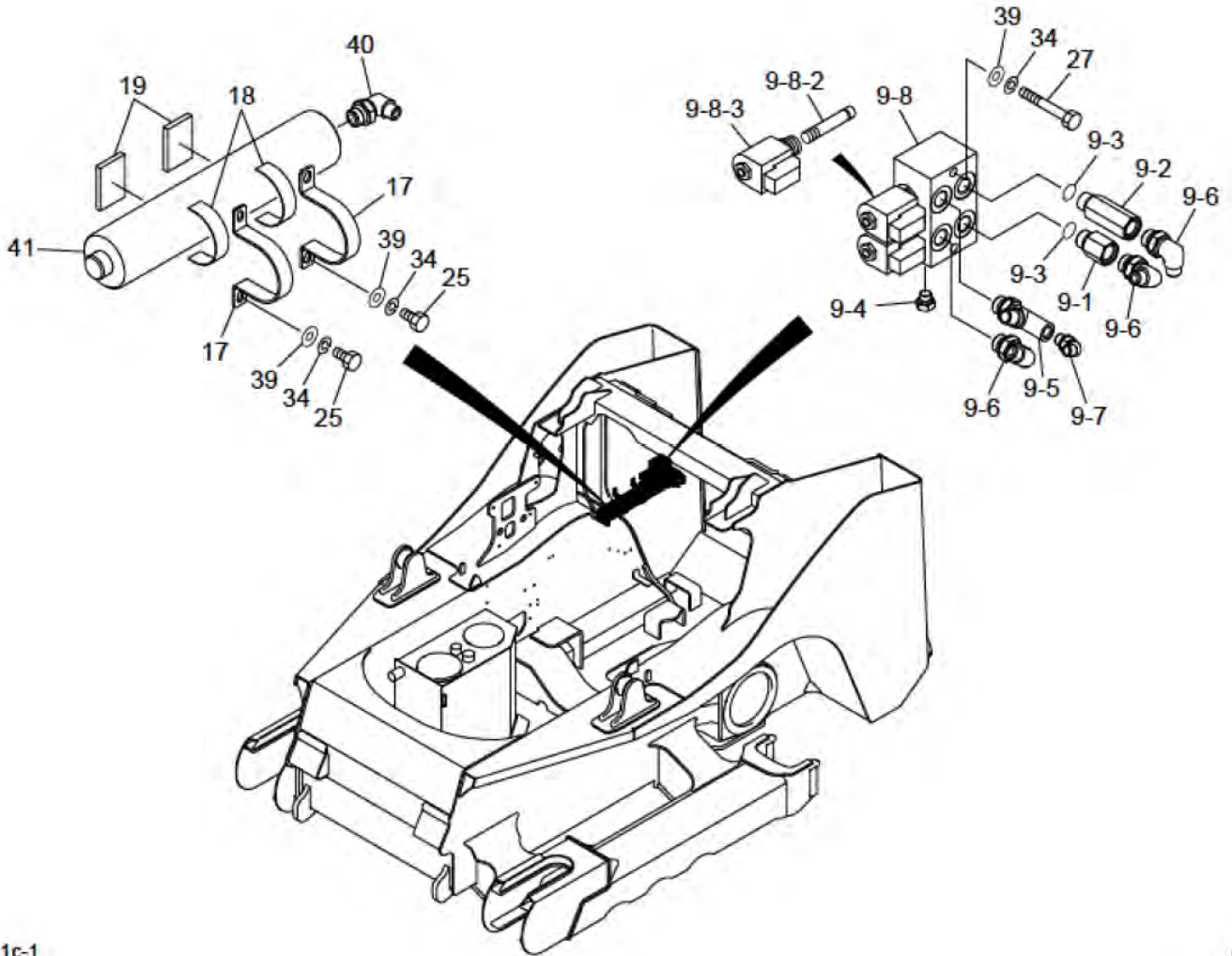
This page intentionally left blank

Item	Part No.	Name	Qty	Uom	Remarks	Serial Number
12-6	1901765600	VALVE ASSY, solenoid (1-block)	1	EA		
13	*****	FILTER ASSY	1	EA		
13-1	0007213010	CONNECTOR	2	EA		
13-2	1420010180	O-RING	2	EA		
13-3	1501750002	PLUG (FOR O-RING USE # 1420010110)	1	EA		
13-3	1420010110	O-RING	1	EA		
13-4	1512340004	ELBOW	1	EA		
13-4	1420010180	O-RING	1	EA		
13-5	1515012042	ELBOW	1	EA		
13-5	1420010180	O-RING	1	EA		
13-6	1551102500	FILTER	1	EA		
13-6-1	1551101001	FILTER (HYDRAULIC)(USES O-RING PART # 1420110600)	1	EA		
13-6-2	1551101003	CASE	1	EA		
13-6-3	1420100600	O-RING	1	EA		
13-6-4	1551102505	SWITCH, pressure	1	EA		
14	*****	VALVE SUB ASSY	1	EA		
14-1	0695000113	BRACKET	1	EA		
14-2	1100051225	BOLT (10TM12 X 25 P/1.75)	3	EA		
14-3	1140020012	WASHER, spring (12MM)	3	EA		
14-4	1501750002	PLUG (FOR O-RING USE # 1420010110)	1	EA		
14-4	1420010110	O-RING	1	EA		
14-5	1512340004	ELBOW	1	EA		
14-5	1420010180	O-RING	1	EA		
14-6	1512370011	TEE	3	EA		
14-6	1420010110	O-RING	1	EA		
14-7	1513300022	ELBOW	1	EA		
14-7	1420010110	O-RING	1	EA		
14-8	1515012042	ELBOW	1	EA		
14-8	1420010180	O-RING	1	EA		
14-9	1515600571	ADAPTOR	1	EA		
14-9	1420010110	O-RING	1	EA		
14-10	1901748100	VALVE, sub	1	EA		
14-11	1513390029	TEE	1	EA		
14-11	1420010110	O-RING	1	EA		
14-12	1515012040	ELBOW	1	EA		
15	*****	VALVE ASSY, solenoid	1	EA		

This page intentionally left blank

Item	Part No.	Name	Qty	Uom	Remarks	Serial Number
15-1	0695000028	BRACKET	1	EA		
15-2	1100090816	BOLT	2	EA		
15-3	1140020008	WASHER, spring	2	EA		
15-4	1512370011	TEE	1	EA		
15-4	1420010110	O-RING	1	EA		
15-5	1513370046	BUSHING (with filter)	1	EA		
15-5	1420010110	O-RING	1	EA		
15-6	1515012040	ELBOW	3	EA		
15-6	1420010110	O-RING	1	EA		
15-7	1901766400	VALVE, solenoid	1	EA		
20	0882702480	RUBBER	4	EA		
21	1100040640	BOLT	2	EA		
22	1100090816	BOLT	2	EA		
23	1100040855	BOLT	2	EA		
25	1100041020	BOLT	12	EA		
26	1100051025	BOLT (10TM10 X 25 P/1.5)	2	EA		
29	1100141010	BOLT (10TM10 X 110 P/1.5)	2	EA		
31	1130240010	NUT	2	EA		
32	1140020006	WASHER, spring	2	EA		
33	1140020008	WASHER, spring	6	EA		
34	1140020010	WASHER, spring	16	EA		
37	1141110006	WASHER	10	EA		
38	1141110008	WASHER	4	EA		
39	1141110010	WASHER, plain	16	EA		
42	1652900407	CLAMP	1	EA		

HYDRAULIC PIPING & TANK VALVE & ACCESSORIES (1/2) (high flow) (2nd aux. line plug type) 3

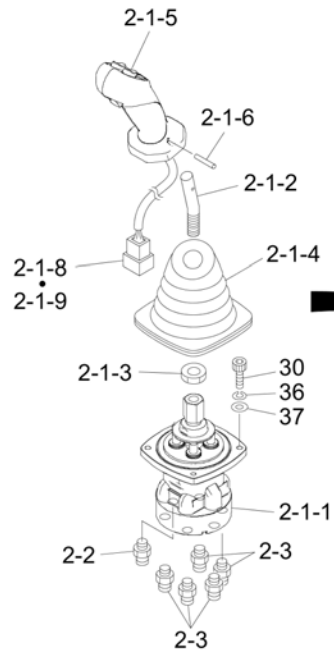
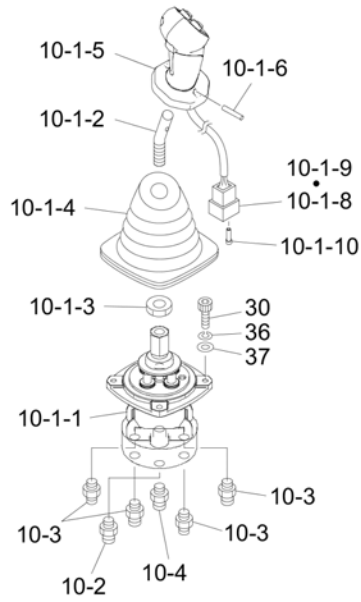


R0D041c-1

3-118, 1/20

Item	Part No.	Name	Qty	Uom	Remarks	Serial Number
9	*****	VALVE ASSY, solenoid	1	EA		
9-1	0007213010	CONNECTOR	1	EA		
9-2	0007213038	BUSHING	1	EA		
9-3	1420010180	O-RING	2	EA		
9-4	1501750002	PLUG (FOR O-RING USE # 1420010110)	1	EA		
9-4	1420010110	O-RING	1	EA		
9-5	1512340003	ELBOW	1	EA		
9-5	1420010180	O-RING	1	EA		
9-6	1515010051	ELBOW	3	EA		
9-6	1420010180	O-RING	1	EA		
9-7	1515012040	ELBOW	1	EA		
9-7	1420010110	O-RING	1	EA		
9-8	1901759700	VALVE, solenoid	1	EA		
9-8-2	1901759702	VALVE	1	EA		
9-8-3	1901759703	COIL	1	EA		
17	0695010020	CLAMP	2	EA		
18	0695010030	RUBBER	2	EA		
19	0695010040	RUBBER	2	EA		
25	1100041020	BOLT	12	EA		
27	1100051075	BOLT (M10X75 P1.5)	2	EA		
34	1140020010	WASHER, spring	16	EA		
39	1141110010	WASHER, plain	16	EA		
40	1515010051	ELBOW	1	EA		
40	1420010180	O-RING	1	EA		
41	1552200040	ACCUMULATOR	1	EA		

HYDRAULIC PIPING & TANK VALVE & ACCESSORIES (1/2) (high flow) (2nd aux. line plug type) 4

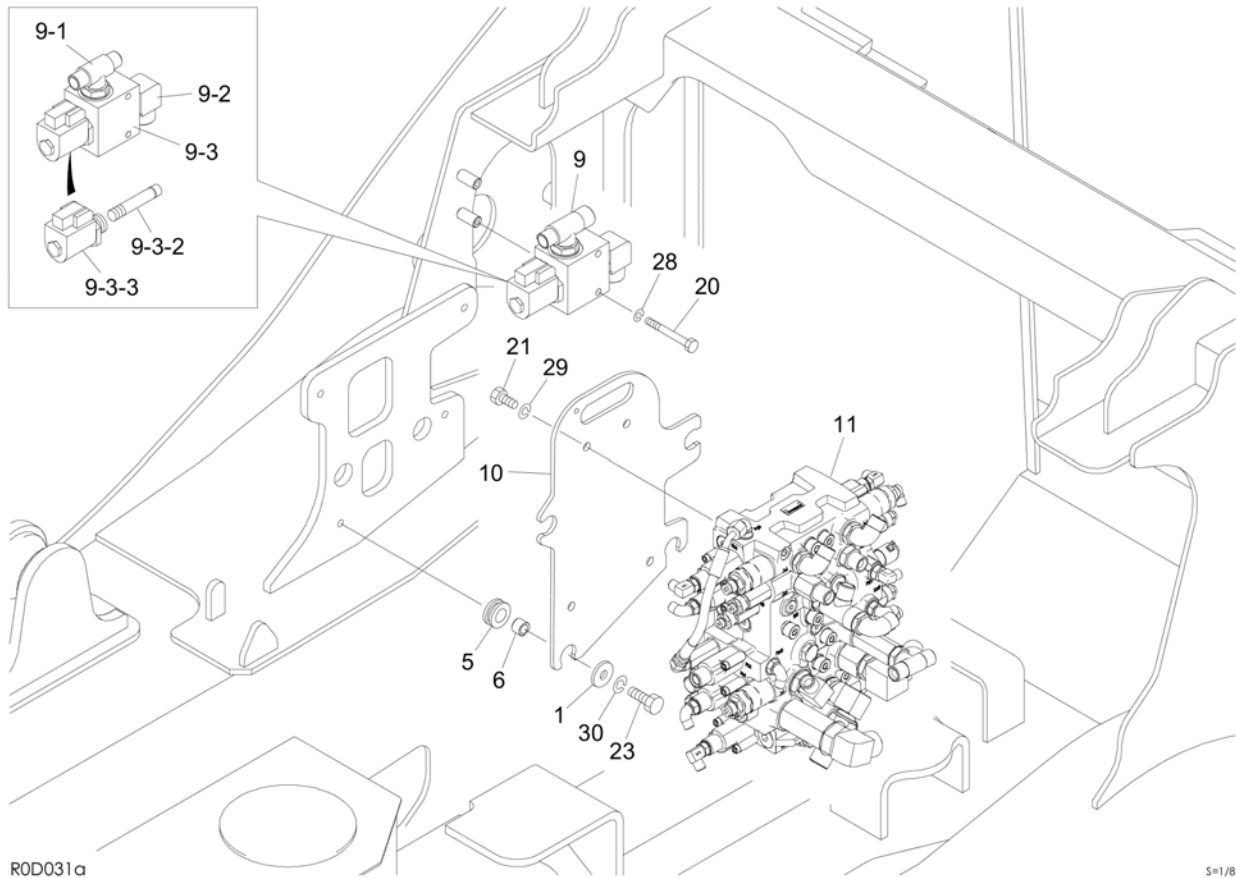


ROD160d

S=1/8. 1/30

Item	Part No.	Name	Qty	Uom	Remarks	Serial Number
2	*****	VALVE ASSY (L.H.)	1	EA		
2-1	*****	VALVE SUB ASSY (L.H.)	1	EA		
2-1-1	1901753900	VALVE ASSY, pilot (L.H.)	1	EA		
2-1-2	0665101120	LEVER	1	EA		
2-1-3	0665101203	NUT	1	EA		
2-1-4	0375109110	BOOT	1	EA		
2-1-5	1650205523	HANDLE ASSY	1	EA		
2-1-6	1213000540	PIN, spring	1	EA		
2-1-8	0695000108	RECEPTACLE	1	EA		
2-1-9	0695000112	WEDGE	1	EA		
2-2	1512370029	ADAPTOR (with filter)	1	EA		
2-2	1420010110	O-RING	1	EA		
2-3	1515600571	ADAPTOR	5	EA		
2-3	1420010110	O-RING	1	EA		
10		VALVE ASSY (R.H.)	1	EA		
10-1	*****	VALVE SUB ASSY (R.H.)	1	EA		
10-1-1	1901754000	VALVE ASSY, pilot (R.H.)	1	EA		
10-1-2	0665102120	LEVER	1	EA		
10-1-3	0665101203	NUT	1	EA		
10-1-4	0375109110	BOOT	1	EA		
10-1-5	1650205611	HANDLE ASSY	1	EA		
10-1-6	1213000540	PIN, spring	1	EA		
10-1-8	0695000109	RECEPTACLE	1	EA		
10-1-9	0695000111	WEDGE	1	EA		
10-1-10	0695000107	PLUG	3	EA		
10-2	1512370029	ADAPTOR (with filter)	1	EA		
10-2	1420010110	O-RING	1	EA		
10-3	1515600200	ADAPTOR	4	EA		
10-3	1420010110	O-RING	1	EA		
10-4	1515600571	ADAPTOR	1	EA		
10-4	1420010110	O-RING	1	EA		
30	1110050620	BOLT, socket (10TM6 X 20 P/1.0)	8	EA		
36	1140020006	WASHER, spring	8	EA		
37	1141110006	WASHER	10	EA		

HYDRAULIC PIPING & TANK VALVE & ACCESSORIES (1/2) (high flow) (with 2nd aux. line) 1

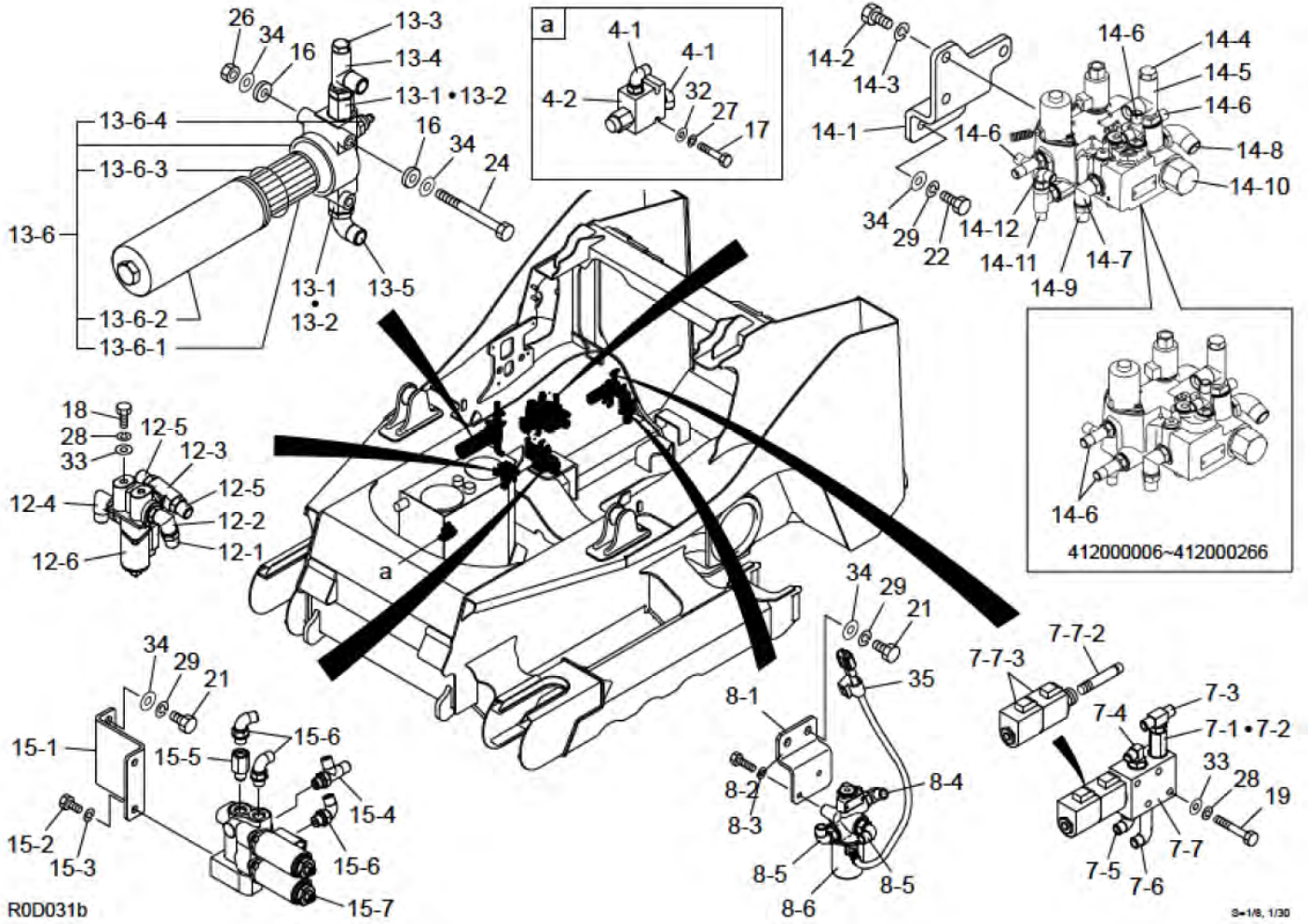


ROD031a

S=1/8

Item	Part No.	Name	Qty	Uom	Remarks	Serial Number
-	PNNA	VALVE ASSY, control		EA		
-	PNNA	VALVE ASSY, control (A-H type)		EA		
1	0003600136	WASHER	4	EA		
5	0695000022	WASHER, rubber	4	EA		
6	0695000023	PIPE	4	EA		
9	*****	VALVE ASSY, solenoid	1	EA		
9-1	1512374012	TEE	1	EA		
9-1	1420010240	O-RING	1	EA		
9-2	1515010133	ELBOW	1	EA		
9-2	1420010240	O-RING	1	EA		
9-3	1901753600	VALVE, solenoid	1	EA		
9-3-2	1901753602	VALVE	1	EA		
9-3-3	1901753603	COIL	1	EA		
10	0695000092	PLATE	1	EA		
11	*****	VALVE SUB ASSY, control	1	EA	see page (2/2)	
20	1100050875	BOLT (10TM8 X 75 P/1.25)	2	EA		
21	1100041020	BOLT	8	EA		
23	1100051235	BOLT (10TM12 X 35 P/1.75)	4	EA		
28	1140020008	WASHER, spring	6	EA		
29	1140020010	WASHER, spring	10	EA		
30	1140020012	WASHER, spring (12MM)	4	EA		

HYDRAULIC PIPING & TANK VALVE & ACCESSORIES (1/2) (high flow) (with 2nd aux. line) 2



Item	Part No.	Name	Qty	Uom	Remarks	Serial Number
4	*****	VALVE ASSY, emergency	1	EA		
4-1	1515012040	ELBOW	2	EA		
4-1	1420010110	O-RING	1	EA		
4-2	1901764700	VALVE, emergency	1	EA		
7	*****	VALVE ASSY, solenoid		EA		
7-1	0007213028	BUSHING	1	EA		
7-2	1420010110	O-RING	1	EA		
7-3	1512370010	ADAPTOR	1	EA		
7-3	1420010110	O-RING	1	EA		
7-4	1512375004	ELBOW (with filter)	1	EA		
7-4	1420010110	O-RING	1	EA		
7-5	1515012040	ELBOW	1	EA		
7-5	1420010110	O-RING	1	EA		
7-6	1515012510	ELBOW	1	EA		
7-6	1420010110	O-RING	1	EA		
7-7	1901765900	VALVE, solenoid	1	EA		
7-7-2	1901764601	VALVE	1	EA		
7-7-3	1901741703	COIL	2	EA		
8	*****	VALVE ASSY, solenoid	1	EA		
8-1	0665000007	BRACKET	1	EA		
8-2	1100050620	BOLT (10TM6 X 20 P/1.0)	2	EA		
8-3	1140020006	WASHER, spring	2	EA		
8-4	1512375004	ELBOW (with filter)	1	EA		
8-4	1420010110	O-RING	1	EA		
8-5	1515012040	ELBOW	2	EA		
8-5	1420010110	O-RING	1	EA		
8-6	1901756100	VALVE, solenoid	1	EA		
12	*****	VALVE ASSY, solenoid	1	EA		
12-1	1512370029	ADAPTOR (with filter)	1	EA		
12-1	1420010110	O-RING	1	EA		
12-2	1513300022	ELBOW	1	EA		
12-2	1420010110	O-RING	1	EA		
12-3	1513370048	TEE	1	EA		
12-3	1420010110	O-RING	1	EA		
12-4	1515010130	ELBOW	1	EA		
12-4	1420010110	O-RING	1	EA		
12-5	1515600571	ADAPTOR	2	EA		
12-5	1420010110	O-RING	1	EA		

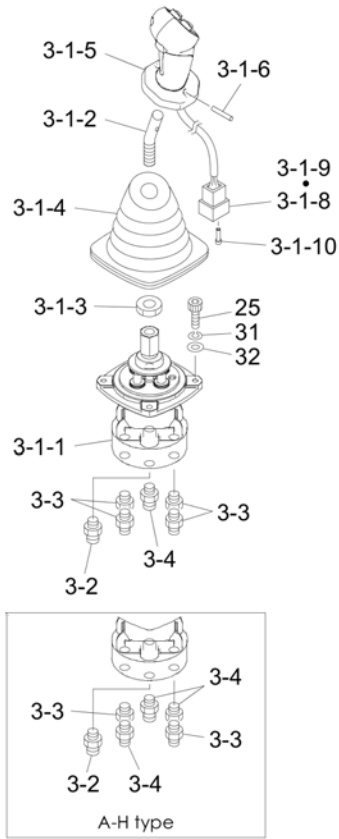
This page intentionally left blank

Item	Part No.	Name	Qty	Uom	Remarks	Serial Number
12-6	1901765600	VALVE ASSY, solenoid (1-block)	1	EA		
13	*****	FILTER ASSY	1	EA		
13-1	0007213010	CONNECTOR	2	EA		
13-2	1420010180	O-RING	2	EA		
13-3	1501750002	PLUG (FOR O-RING USE # 1420010110)	1	EA		
13-3	1420010110	O-RING	1	EA		
13-4	1512340004	ELBOW	1	EA		
13-4	1420010180	O-RING	1	EA		
13-5	1515012042	ELBOW	1	EA		
13-5	1420010180	O-RING	1	EA		
13-6	1551102500	FILTER	1	EA		
13-6-1	1551101001	FILTER (HYDRAULIC)(USES O-RING PART # 1420110600)	1	EA		
13-6-2	1551101003	CASE	1	EA		
13-6-3	1420100600	O-RING	1	EA		
13-6-4	1551102505	SWITCH, pressure	1	EA		
14	*****	VALVE SUB ASSY	1	EA		
14-1	0695000113	BRACKET	1	EA		
14-2	1100051225	BOLT (10TM12 X 25 P/1.75)	3	EA		
14-3	1140020012	WASHER, spring (12MM)	3	EA		
14-4	1501750002	PLUG (FOR O-RING USE # 1420010110)	1	EA		
14-4	1420010110	O-RING	1	EA		
14-5	1512340004	ELBOW	1	EA		
14-5	1420010180	O-RING	1	EA		
14-6	1512370011	TEE	4	EA		412000006~412000266
14-6	1512370011	TEE	3	EA		412000267~
14-6	1420010110	O-RING	1	EA		
14-7	1513300022	ELBOW	1	EA		
14-7	1420010110	O-RING	1	EA		
14-8	1515012042	ELBOW	1	EA		
14-8	1420010180	O-RING	1	EA		
14-9	1515600571	ADAPTOR	1	EA		
14-9	1420010110	O-RING	1	EA		
14-10	1901748100	VALVE, sub	1	EA		
14-11	1513390029	TEE	1	EA		412000267~
14-11	1420010110	O-RING	1	EA		412000267~
14-12	1515012040	ELBOW	1	EA		412000267~

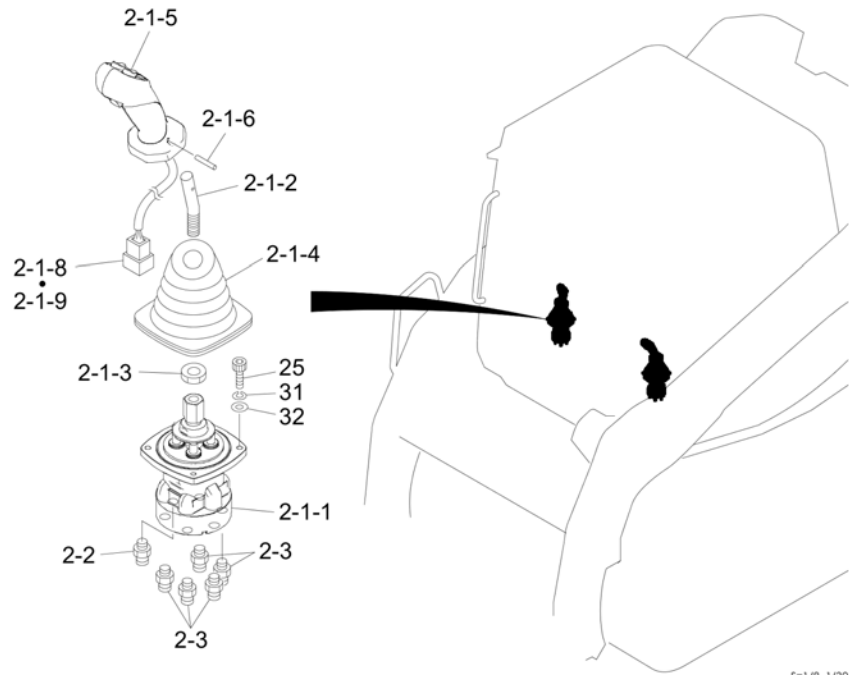
This page intentionally left blank

Item	Part No.	Name	Qty	Uom	Remarks	Serial Number
14-12	1420010110	O-RING	1	EA		412000267~
15	*****	VALVE ASSY, solenoid	1	EA		
15-1	0695000028	BRACKET	1	EA		
15-2	1100090816	BOLT	2	EA		
15-3	1140020008	WASHER, spring	2	EA		
15-4	1512370011	TEE	1	EA		
15-4	1420010110	O-RING	1	EA		
15-5	1513370046	BUSHING (with filter)	1	EA		
15-5	1420010110	O-RING	1	EA		
15-6	1515012040	ELBOW	3	EA		
15-6	1420010110	O-RING	1	EA		
15-7	1901766400	VALVE, solenoid	1	EA		
16	0882702480	RUBBER	4	EA		
17	1100040640	BOLT	2	EA		
18	1100090816	BOLT	2	EA		
19	1100040855	BOLT	2	EA		
21	1100041020	BOLT	8	EA		
22	1100051025	BOLT (10TM10 X 25 P/1.5)	2	EA		
24	1100141010	BOLT (10TM10 X 110 P/1.5)	2	EA		
26	1130240010	NUT	2	EA		
27	1140020006	WASHER, spring	2	EA		
28	1140020008	WASHER, spring	6	EA		
29	1140020010	WASHER, spring	10	EA		
32	1141110006	WASHER	10	EA		
33	1141110008	WASHER	4	EA		
34	1141110010	WASHER, plain	10	EA		
35	1652900407	CLAMP	1	EA		

HYDRAULIC PIPING & TANK VALVE & ACCESSORIES (1/2) (high flow) (with 2nd aux. line) 3



R0D031c



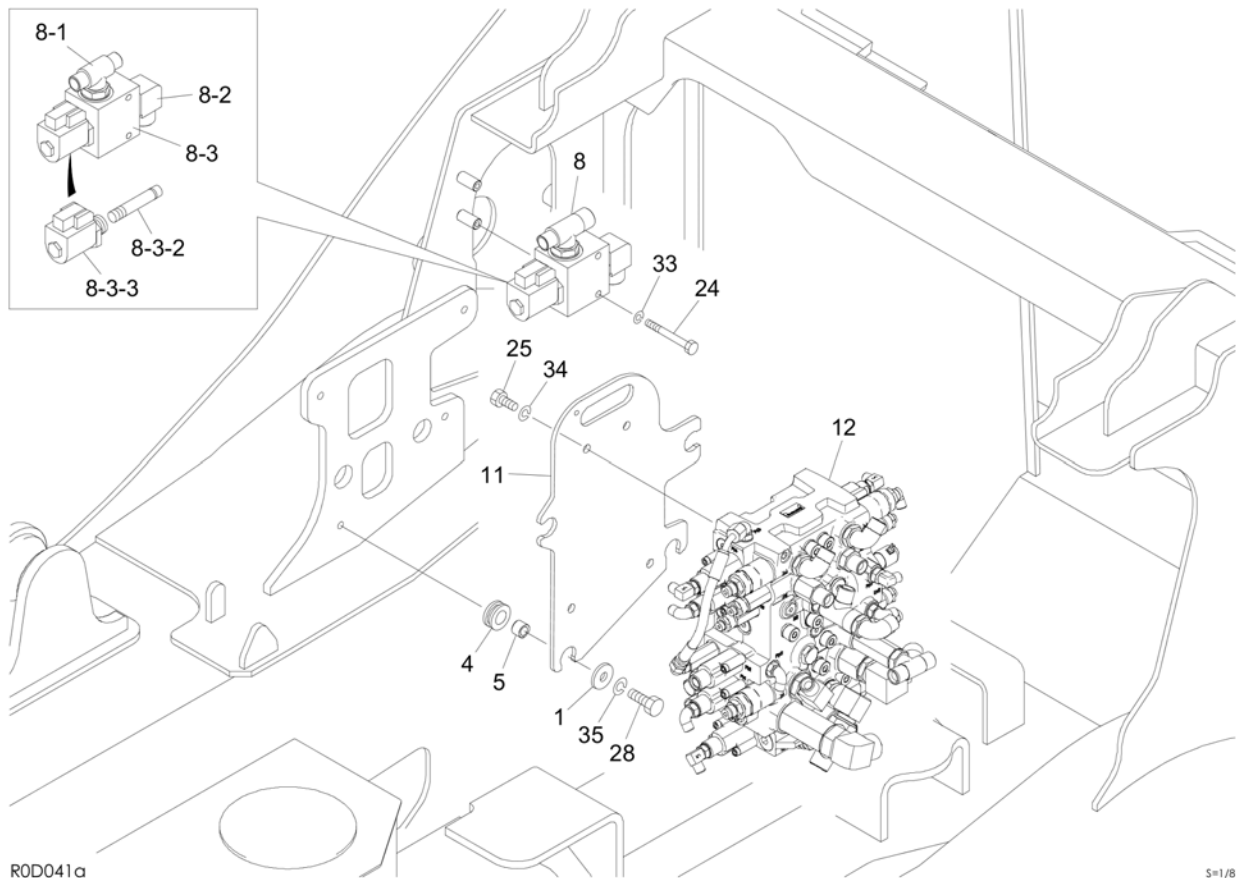
S=1/8. 1/30

Item	Part No.	Name	Qty	Uom	Remarks	Serial Number
-	PNNA	VALVE ASSY, control		EA		
-	PNNA	VALVE ASSY, control (A-H type)		EA		
2	*****	VALVE ASSY (L.H.)	1	EA		
2-1	*****	VALVE SUB ASSY (L.H.)	1	EA		
2-1-1	1901753900	VALVE ASSY, pilot (L.H.)	1	EA		
2-1-2	0665101120	LEVER	1	EA		
2-1-3	0665101203	NUT	1	EA		
2-1-4	0375109110	BOOT	1	EA		
2-1-5	1650205523	HANDLE ASSY	1	EA		
2-1-6	1213000540	PIN, spring	1	EA		
2-1-8	0695000108	RECEPTACLE	1	EA		
2-1-9	0695000112	WEDGE	1	EA		
2-2	1512370029	ADAPTOR (with filter)	1	EA		
2-2	1420010110	O-RING	1	EA		
2-3	1515600571	ADAPTOR	5	EA		
2-3	1420010110	O-RING	1	EA		
3		VALVE ASSY (R.H.)	1	EA		
3	*****	VALVE ASSY (R.H.) (A-H type)	1	EA		
3-1	*****	VALVE SUB ASSY (R.H.)	1	EA		
3-1-1	1901754000	VALVE ASSY, pilot (R.H.)	1	EA		
3-1-2	0665102120	LEVER	1	EA		
3-1-3	0665101203	NUT	1	EA		
3-1-4	0375109110	BOOT	1	EA		
3-1-5	1650205611	HANDLE ASSY	1	EA		
3-1-6	1213000540	PIN, spring	1	EA		
3-1-8	0695000109	RECEPTACLE	1	EA		
3-1-9	0695000111	WEDGE	1	EA		
3-1-10	0695000107	PLUG	3	EA		
3-2	1512370029	ADAPTOR (with filter)	1	EA		
3-2	1420010110	O-RING	1	EA		
3-3	1515600200	ADAPTOR	4	EA		
3-3	1515600200	ADAPTOR	2	EA	A-H type	
3-3	1420010110	O-RING	1	EA		
3-4	1515600571	ADAPTOR	1	EA		
3-4	1515600571	ADAPTOR	3	EA	A-H type	
3-4	1420010110	O-RING	1	EA		
25	1110050620	BOLT, socket (10TM6 X 20 P/1.0)	8	EA		

This page intentionally left blank

Item	Part No.	Name	Qty	Uom	Remarks	Serial Number
31	1140020006	WASHER, spring	8	EA		
32	1141110006	WASHER	10	EA		

HYDRAULIC PIPING & TANK VALVE & ACCESSORIES (1/2) (high flow) (with 2nd aux. line) (with ride control) 1

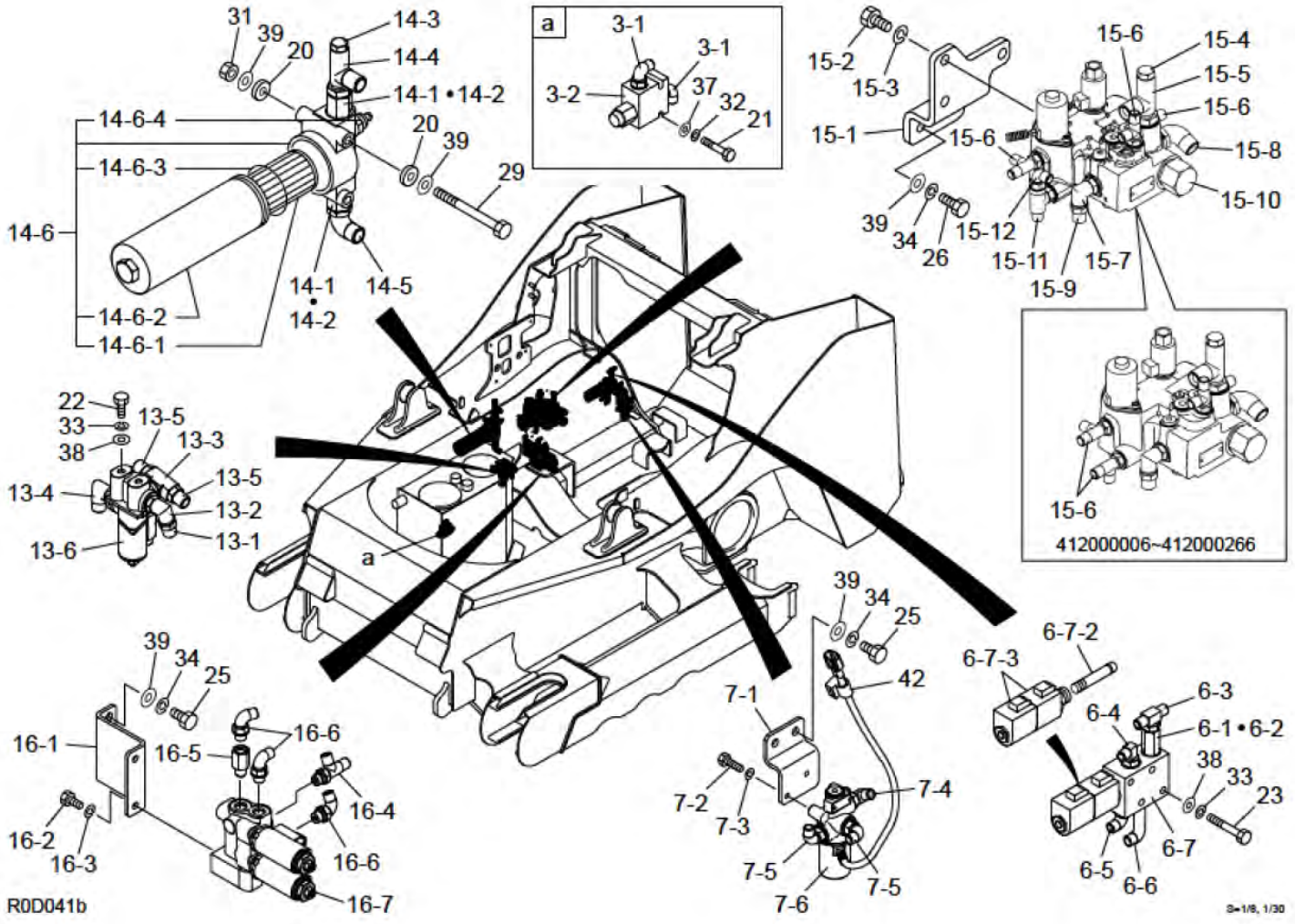


ROD041a

S=1/8

Item	Part No.	Name	Qty	Uom	Remarks	Serial Number
-	PNNA	VALVE ASSY, control		EA		
-	PNNA	VALVE ASSY, control (A-H type)		EA		
1	0003600136	WASHER	4	EA		
4	0695000022	WASHER, rubber	4	EA		
5	0695000023	PIPE	4	EA		
8	*****	VALVE ASSY, solenoid	1	EA		
8-1	1512374012	TEE	1	EA		
8-1	1420010240	O-RING	1	EA		
8-2	1515010133	ELBOW	1	EA		
8-2	1420010240	O-RING	1	EA		
8-3	1901753600	VALVE, solenoid	1	EA		
8-3-2	1901753602	VALVE	1	EA		
8-3-3	1901753603	COIL	1	EA		
11	0695000092	PLATE	1	EA		
12	*****	VALVE SUB ASSY, control	1	EA	see page (2/2)	
24	1100050875	BOLT (10TM8 X 75 P/1.25)	2	EA		
25	1100041020	BOLT	12	EA		
28	1100051235	BOLT (10TM12 X 35 P/1.75)	4	EA		
33	1140020008	WASHER, spring	6	EA		
34	1140020010	WASHER, spring	16	EA		
35	1140020012	WASHER, spring (12MM)	4	EA		

HYDRAULIC PIPING & TANK VALVE & ACCESSORIES (1/2) (high flow) (with 2nd aux. line) (with ride control) 2



Item	Part No.	Name	Qty	Uom	Remarks	Serial Number
-	PNNA	VALVE ASSY, control		EA		
-	PNNA	VALVE ASSY, control (A-H type)		EA		
3	*****	VALVE ASSY, emergency	1	EA		
3-1	1515012040	ELBOW	2	EA		
3-1	1420010110	O-RING	1	EA		
3-2	1901764700	VALVE, emergency	1	EA		
6	*****	VALVE ASSY, solenoid	1	EA		
6-1	0007213028	BUSHING	1	EA		
6-2	1420010110	O-RING	1	EA		
6-3	1512370010	ADAPTOR	1	EA		
6-3	1420010110	O-RING	1	EA		
6-4	1512375004	ELBOW (with filter)	1	EA		
6-4	1420010110	O-RING	1	EA		
6-5	1515012040	ELBOW	1	EA		
6-5	1420010110	O-RING	1	EA		
6-6	1515012510	ELBOW	1	EA		
6-6	1420010110	O-RING	1	EA		
6-7	1901765900	VALVE, solenoid	1	EA		
6-7-2	1901764601	VALVE	1	EA		
6-7-3	1901741703	COIL	2	EA		
7	*****	VALVE ASSY, solenoid	1	EA		
7-1	0665000007	BRACKET	1	EA		
7-2	1100050620	BOLT (10TM6 X 20 P/1.0)	2	EA		
7-3	1140020006	WASHER, spring	2	EA		
7-4	1512375004	ELBOW (with filter)	1	EA		
7-4	1420010110	O-RING	1	EA		
7-5	1515012040	ELBOW	2	EA		
7-5	1420010110	O-RING	1	EA		
7-6	1901756100	VALVE, solenoid	1	EA		
13	*****	VALVE ASSY, solenoid	1	EA		
13-1	1512370029	ADAPTOR (with filter)	1	EA		
13-1	1420010110	O-RING	1	EA		
13-2	1513300022	ELBOW	1	EA		
13-2	1420010110	O-RING	1	EA		
13-3	1513370048	TEE	1	EA		
13-3	1420010110	O-RING	1	EA		
13-4	1515010130	ELBOW	1	EA		
13-4	1420010110	O-RING	1	EA		

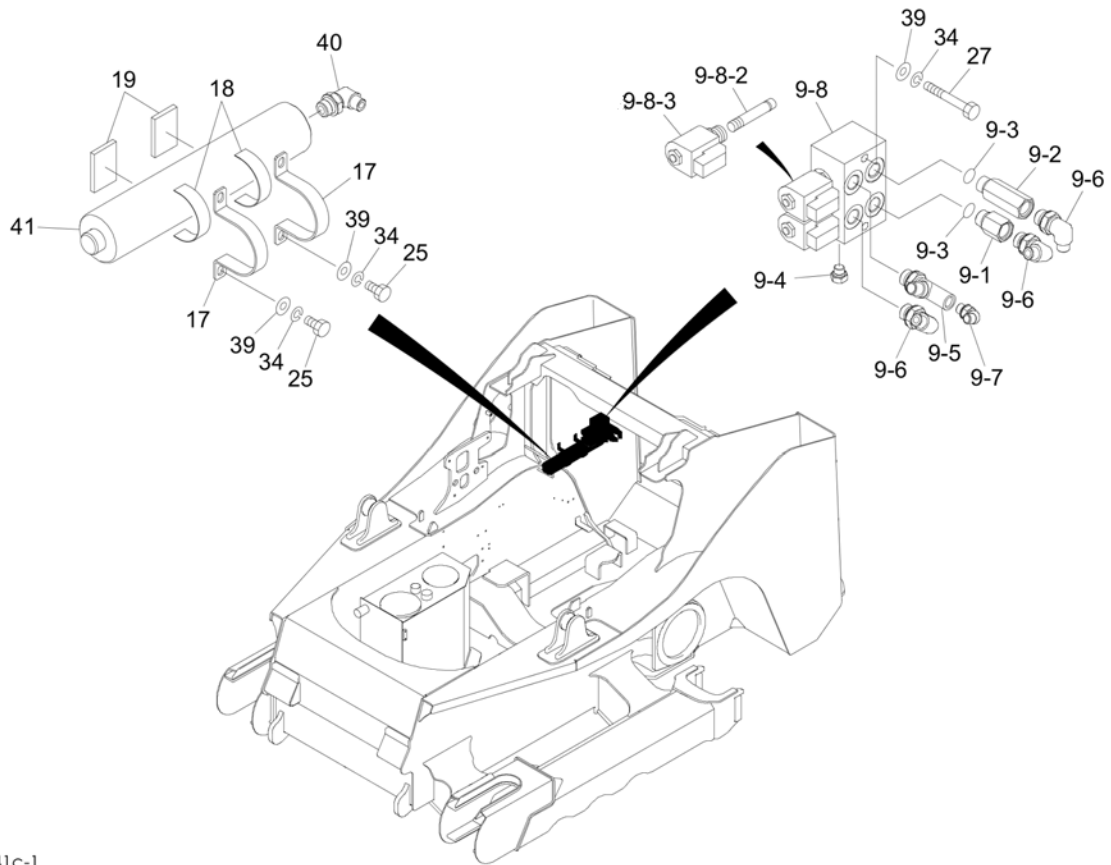
This page intentionally left blank

Item	Part No.	Name	Qty	Uom	Remarks	Serial Number
13-5	1515600571	ADAPTOR	2	EA		
13-5	1420010110	O-RING	1	EA		
13-6	1901765600	VALVE ASSY, solenoid (1-block)	1	EA		
14	*****	FILTER ASSY	1	EA		
14-1	0007213010	CONNECTOR	2	EA		
14-2	1420010180	O-RING	2	EA		
14-3	1501750002	PLUG (FOR O-RING USE # 1420010110)	1	EA		
14-3	1420010110	O-RING	1	EA		
14-4	1512340004	ELBOW	1	EA		
14-4	1420010180	O-RING	1	EA		
14-5	1515012042	ELBOW	1	EA		
14-5	1420010180	O-RING	1	EA		
14-6	1551102500	FILTER	1	EA		
14-6-1	1551101001	FILTER (HYDRAULIC)(USES O-RING PART # 1420110600)	1	EA		
14-6-2	1551101003	CASE	1	EA		
14-6-3	1420100600	O-RING	1	EA		
14-6-4	1551102505	SWITCH, pressure	1	EA		
15	*****	VALVE SUB ASSY	1	EA		
15-1	0695000113	BRACKET	1	EA		
15-2	1100051225	BOLT (10TM12 X 25 P/1.75)	3	EA		
15-3	1140020012	WASHER, spring (12MM)	3	EA		
15-4	1501750002	PLUG (FOR O-RING USE # 1420010110)	1	EA		
15-4	1420010110	O-RING	1	EA		
15-5	1512340004	ELBOW	1	EA		
15-5	1420010180	O-RING	1	EA		
15-6	1512370011	TEE	4	EA		412000006~412000266
15-6	1512370011	TEE	3	EA		412000267~
15-6	1420010110	O-RING	1	EA		
15-7	1513300022	ELBOW	1	EA		
15-7	1420010110	O-RING	1	EA		
15-8	1515012042	ELBOW	1	EA		
15-8	1420010180	O-RING	1	EA		
15-9	1515600571	ADAPTOR	1	EA		
15-9	1420010110	O-RING	1	EA		
15-10	1901748100	VALVE, sub	1	EA		
15-11	1513390029	TEE	1	EA		412000267~

This page intentionally left blank

Item	Part No.	Name	Qty	Uom	Remarks	Serial Number
15-11	1420010110	O-RING	1	EA		412000267~
15-12	1515012040	ELBOW	1	EA		412000267~
15-12	1420010110	O-RING	1	EA		412000267~
16	*****	VALVE ASSY, solenoid	1	EA		
16-1	0695000028	BRACKET	1	EA		
16-2	1100090816	BOLT	2	EA		
16-3	1140020008	WASHER, spring	2	EA		
16-4	1512370011	TEE	1	EA		
16-4	1420010110	O-RING	1	EA		
16-5	1513370046	BUSHING (with filter)	1	EA		
16-5	1420010110	O-RING	1	EA		
16-6	1515012040	ELBOW	3	EA		
16-6	1420010110	O-RING	1	EA		
16-7	1901766400	VALVE, solenoid	1	EA		
20	0882702480	RUBBER	4	EA		
21	1100040640	BOLT	2	EA		
22	1100090816	BOLT	2	EA		
23	1100040855	BOLT	2	EA		
25	1100041020	BOLT	12	EA		
26	1100051025	BOLT (10TM10 X 25 P/1.5)	2	EA		
29	1100141010	BOLT (10TM10 X 110 P/1.5)	2	EA		
31	1130240010	NUT	2	EA		
32	1140020006	WASHER, spring	2	EA		
33	1140020008	WASHER, spring	6	EA		
34	1140020010	WASHER, spring	16	EA		
37	1141110006	WASHER	10	EA		
38	1141110008	WASHER	4	EA		
39	1141110010	WASHER, plain	16	EA		
42	1652900407	CLAMP	1	EA		

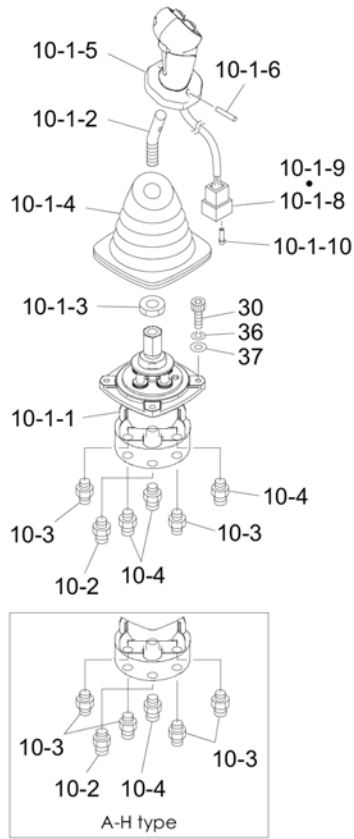
HYDRAULIC PIPING & TANK VALVE & ACCESSORIES (1/2) (high flow) (with 2nd aux. line) (with ride control) 3



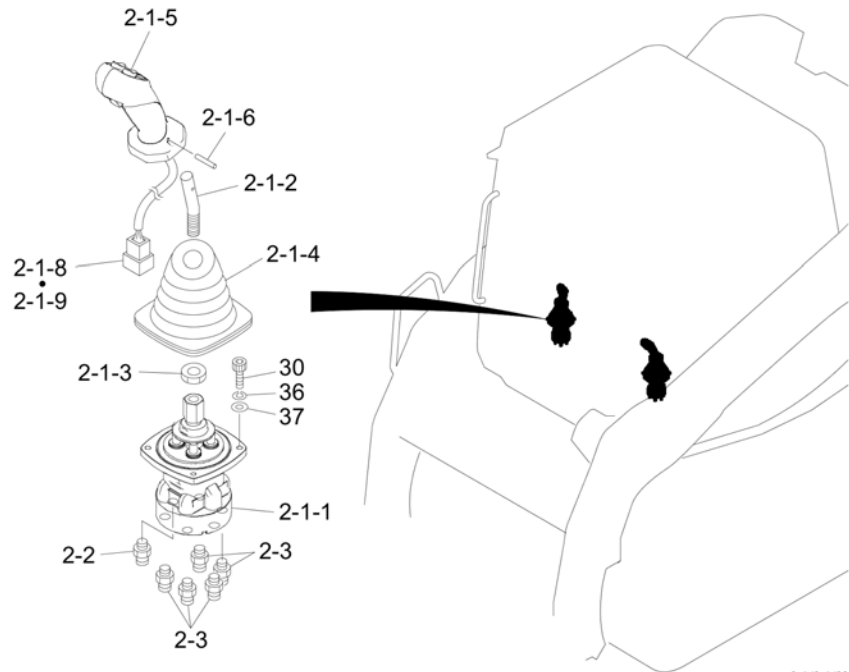
ROD041c-1

S=1/8. 1/30

Item	Part No.	Name	Qty	Uom	Remarks	Serial Number
9	*****	VALVE ASSY, solenoid	1	EA		
9-1	0007213010	CONNECTOR	1	EA		
9-2	0007213038	BUSHING	1	EA		
9-3	1420010180	O-RING	2	EA		
9-4	1501750002	PLUG (FOR O-RING USE # 1420010110)	1	EA		
9-4	1420010110	O-RING	1	EA		
9-5	1512340003	ELBOW	1	EA		
9-5	1420010180	O-RING	1	EA		
9-6	1515010051	ELBOW	3	EA		
9-6	1420010180	O-RING	1	EA		
9-7	1515012040	ELBOW	1	EA		
9-7	1420010110	O-RING	1	EA		
9-8	1901759700	VALVE, solenoid	1	EA		
9-8-2	1901759702	VALVE	1	EA		
9-8-3	1901759703	COIL	1	EA		
17	0695010020	CLAMP	2	EA		
18	0695010030	RUBBER	2	EA		
19	0695010040	RUBBER	2	EA		
25	1100041020	BOLT	12	EA		
27	1100051075	BOLT (M10X75 P1.5)	2	EA		
34	1140020010	WASHER, spring	16	EA		
39	1141110010	WASHER, plain	16	EA		
40	1515010051	ELBOW	1	EA		
40	1420010180	O-RING	1	EA		
41	1552200040	ACCUMULATOR	1	EA		



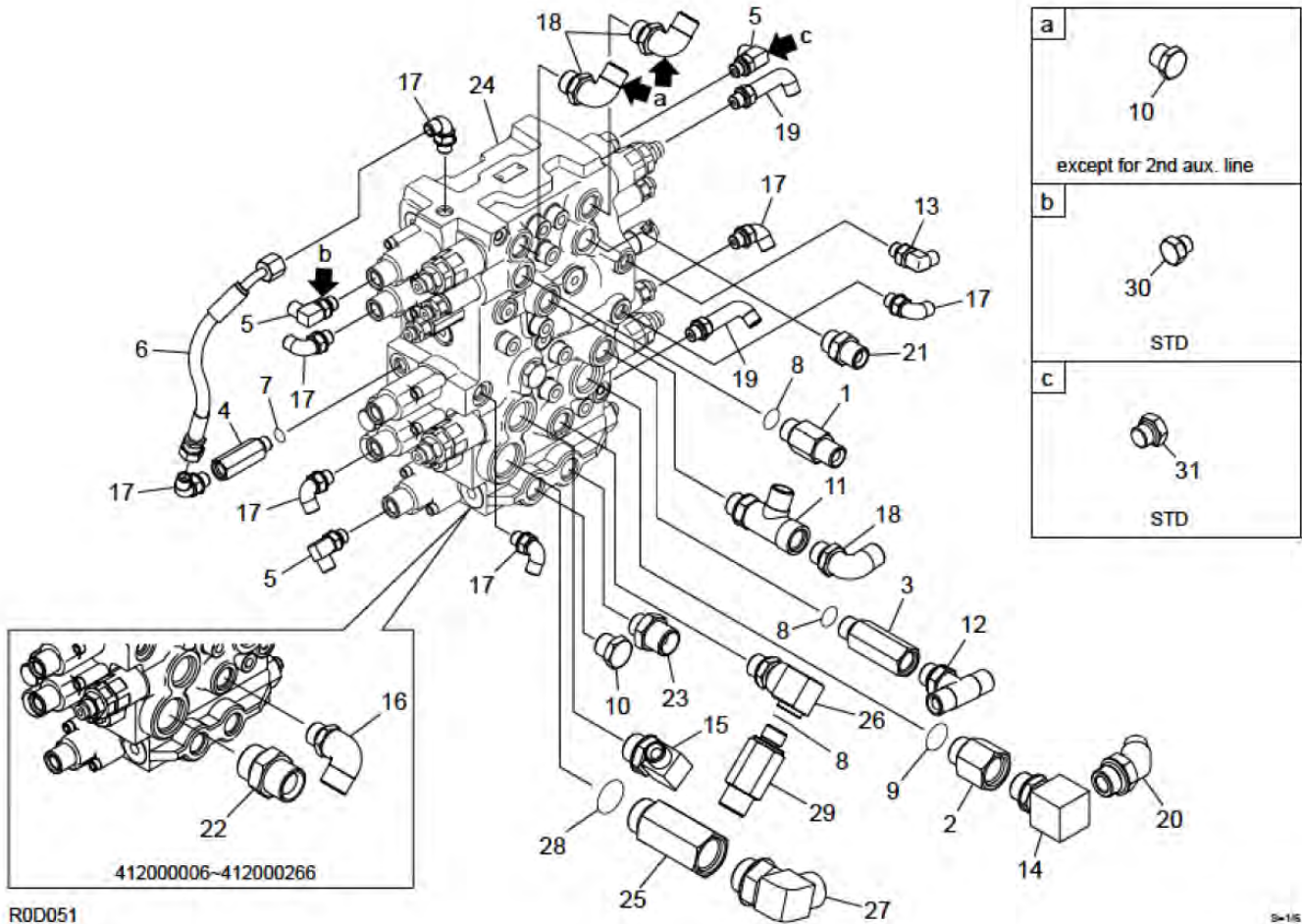
R0D041d



S=1/8. 1/30

Item	Part No.	Name	Qty	Uom	Remarks	Serial Number
2	*****	VALVE ASSY (L.H.)	1	EA		
2-1	*****	VALVE SUB ASSY (L.H.)	1	EA		
2-1-1	1901753900	VALVE ASSY, pilot (L.H.)	1	EA		
2-1-2	0665101120	LEVER	1	EA		
2-1-3	0665101203	NUT	1	EA		
2-1-4	0375109110	BOOT	1	EA		
2-1-5	1650205523	HANDLE ASSY	1	EA		
2-1-6	1213000540	PIN, spring	1	EA		
2-1-8	0695000108	RECEPTACLE	1	EA		
2-1-9	0695000112	WEDGE	1	EA		
2-2	1512370029	ADAPTOR (with filter)	1	EA		
2-2	1420010110	O-RING	1	EA		
2-3	1515600571	ADAPTOR	5	EA		
2-3	1420010110	O-RING	1	EA		
10		VALVE ASSY (R.H.)	1	EA		
10	*****	VALVE ASSY (R.H.) (A-H type)	1	EA		
10-1	*****	VALVE SUB ASSY (R.H.)	1	EA		
10-1-1	1901754000	VALVE ASSY, pilot (R.H.)	1	EA		
10-1-2	0665102120	LEVER	1	EA		
10-1-3	0665101203	NUT	1	EA		
10-1-4	0375109110	BOOT	1	EA		
10-1-5	1650205611	HANDLE ASSY	1	EA		
10-1-6	1213000540	PIN, spring	1	EA		
10-1-8	0695000109	RECEPTACLE	1	EA		
10-1-9	0695000111	WEDGE	1	EA		
10-1-10	0695000107	PLUG	3	EA		
10-2	1512370029	ADAPTOR (with filter)	1	EA		
10-2	1420010110	O-RING	1	EA		
10-3	1515600200	ADAPTOR	2	EA		
10-3	1515600200	ADAPTOR	4	EA	A-H type	
10-3	1420010110	O-RING	1	EA		
10-4	1515600571	ADAPTOR	3	EA		
10-4	1515600571	ADAPTOR	1	EA	A-H type	
10-4	1420010110	O-RING	1	EA		
30	1110050620	BOLT, socket (10TM6 X 20 P/1.0)	8	EA		
36	1140020006	WASHER, spring	8	EA		
37	1141110006	WASHER	10	EA		

HYDRAULIC PIPING & TANK VALVE & ACCESSORIES (2/2) (high flow)

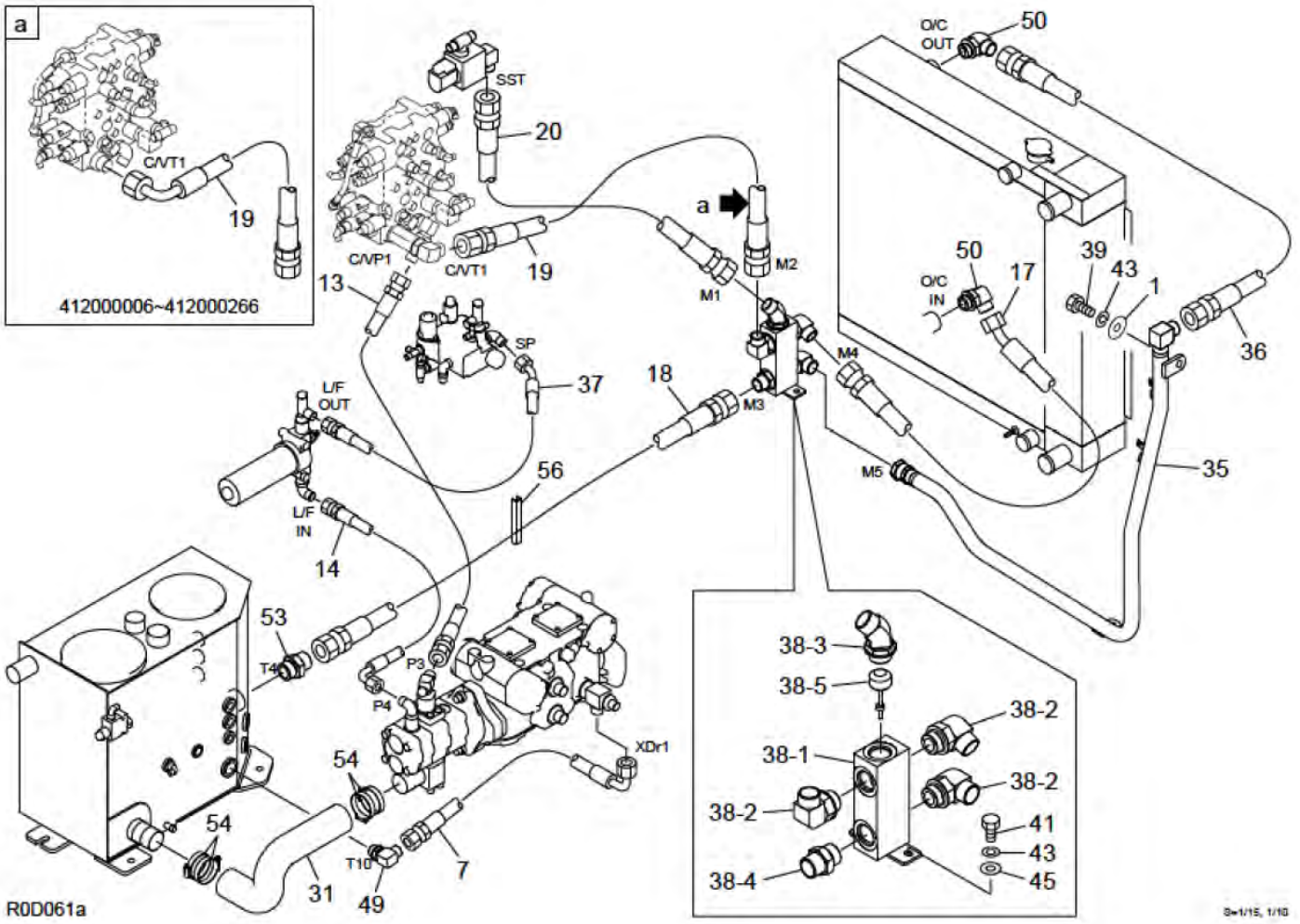


Item	Part No.	Name	Qty	Uom	Remarks	Serial Number
0-1	*****	VALVE SUB ASSY, control (with 2nd aux. line)	1	EA		
0-1	*****	VALVE SUB ASSY, control	1	EA		
0-1	*****	VALVE SUB ASSY, control (with 2nd aux. line blind socket)	1	EA		
1	0007203033	ADAPTOR	1	EA		
2	0007213034	BUSHING	1	EA		
3	0007213038	BUSHING	1	EA		
4	0007213061	BUSHING	1	EA		
5	0575002030	ELBOW	3	EA		
5	0575002030	ELBOW	1	EA	STD	
5	1420010110	O-RING	1	EA		
6	0687000052	HOSE ASSY	1	EA	18010-79024	
7	1420010110	O-RING	1	EA		
8	1420010180	O-RING	2	EA		412000006~412000266
8	1420010180	O-RING	3	EA		412000267~
9	1420010240	O-RING	1	EA		
10	1501750004	PLUG (12MM)	1	EA	with 2nd aux. line	
10	1501750004	PLUG (12MM)	3	EA		
10	1420010180	O-RING	1	EA		
11	1512340021	ELBOW	1	EA		
11	1420010180	O-RING	1	EA		
12	1512374002	TEE	1	EA		
12	1420010180	O-RING	1	EA		
13	1512375004	ELBOW (with filter)	1	EA		
13	1420010110	O-RING	1	EA		
14	1513300029	ELBOW	1	EA		
14	1420010240	O-RING	1	EA		
15	1515010052	ELBOW	1	EA		
15	1420010240	O-RING	1	EA		
16	1515010132	ELBOW	1	EA		412000006~412000266
16	1420010180	O-RING	1	EA		
17	1515012040	ELBOW	7	EA		
17	1420010110	O-RING	1	EA		
18	1515012042	ELBOW	3	EA	with 2nd aux. line	
18	1515012042	ELBOW	1	EA		
18	1420010180	O-RING	1	EA		
19	1515012510	ELBOW	2	EA		
19	1420010110	O-RING	1	EA		

This page intentionally left blank

Item	Part No.	Name	Qty	Uom	Remarks	Serial Number
20	1515100113	ELBOW	1	EA		
20	1420010240	O-RING	1	EA		
21	1515600202	ADAPTOR	1	EA		
21	1420010180	O-RING	1	EA		
22	1515600204	ADAPTOR	1	EA		412000006~412000266
22	1420010290	O-RING	1	EA		
23	1515600573	ADAPTOR	1	EA		
23	1420010180	O-RING	1	EA		
24	1901061700	VALVE. control	1	EA		
25	0007213092	BUSHING	1	EA		412000267~
26	1513300015	ELBOW	1	EA		412000267~
26	1420010180	O-RING	1	EA		412000267~
27	1515010044	ELBOW	1	EA		412000267~
27	1420010290	O-RING	1	EA		412000267~
28	1420010290	O-RING	1	EA		412000267~
29	0007203076	ADAPTOR	1	EA		412000267~
30	1901055192	PLUG	1	EA	STD	
31	1901055191	PLUG	1	EA	STD	

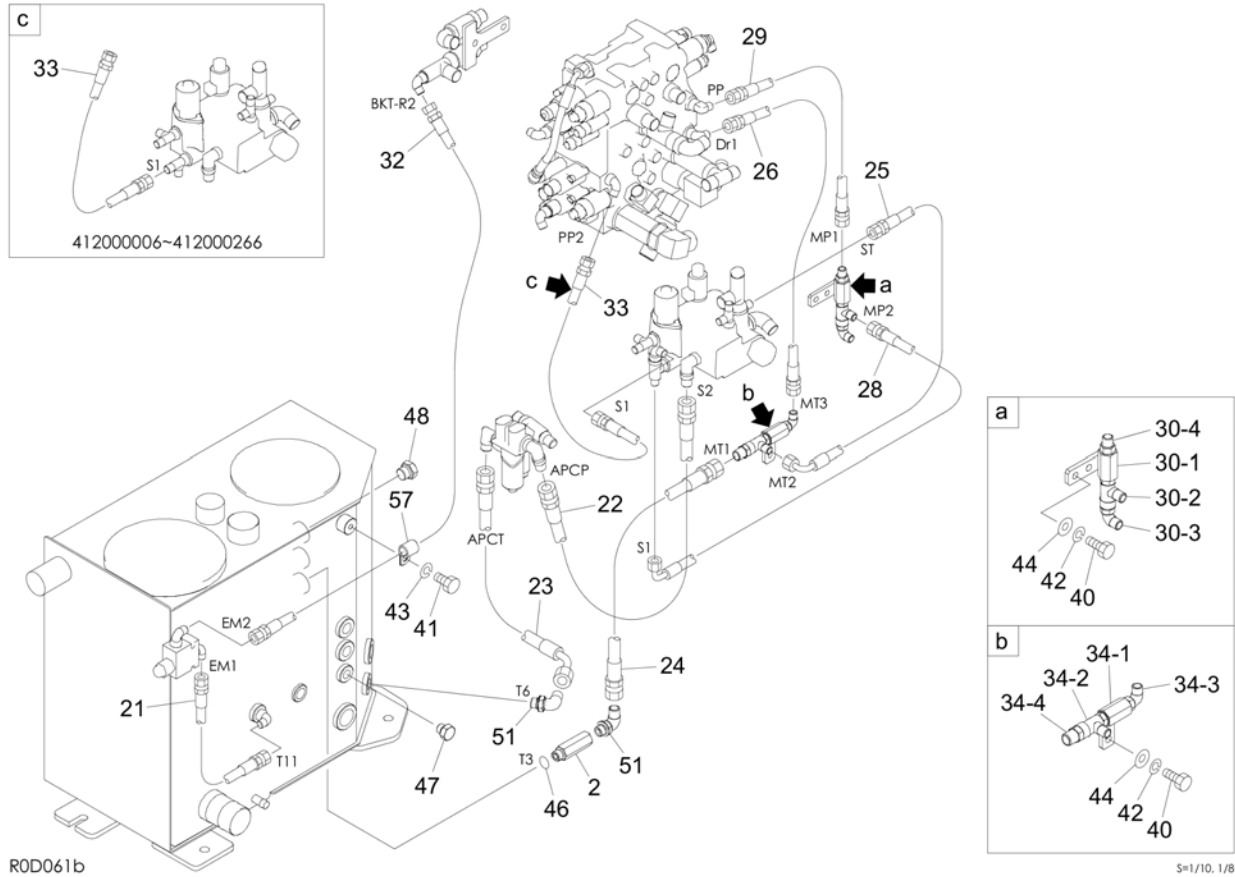
HYDRAULIC PIPING & TANK PIPING 1



8-1/15, 1/10

Item	Part No.	Name	Qty	Uom	Remarks	Serial Number
-	PNNA	PIPING ASSY		EA		
1	0003600025	WASHER	2	EA		
7	0697000013	HOSE ASSY	1	EA	18010-56058	
13	0697000019	HOSE ASSY	1	EA	18047-80072	412000006~412000266
13	0697000112	HOSE ASSY	1	EA	18047-80067	412000267~
14	0697000023	HOSE ASSY	1	EA	18010-57052	
17	0697000027	HOSE ASSY	1	EA		
18	0697000031	HOSE ASSY	1	EA		
19	0697000032	HOSE ASSY	1	EA		412000006~412000266
19	0697000113	HOSE ASSY	1	EA		412000267~
20	0697000033	HOSE ASSY	1	EA		
31	0697000066	HOSE (FOR PIPING)	1	EA		
35	0697000093	PIPE ASSY	1	EA		
36	0697000099	HOSE ASSY	1	EA		
37	0697000103	HOSE ASSY	1	EA	18010-91062	
38	*****	MANIFOLD ASSY	1	EA		
38-1	0697000105	MANIFOLD	1	EA		
38-2	1515010044	ELBOW	3	EA		
38-2	1420010290	O-RING	1	EA		
38-3	1515100114	ELBOW	1	EA		
38-3	1420010290	O-RING	1	EA		
38-4	1515600204	ADAPTOR	1	EA		
38-4	1420010290	O-RING	1	EA		
38-5	1540140830	VALVE, check	1	EA		
39	1100021025	BOLT	2	EA		
41	1100041020	BOLT	3	EA		
43	1140020010	WASHER, spring	5	EA		
45	1141550010	WASHER	2	EA		
49	1515010043	ELBOW	1	EA		
49	1420010240	O-RING	1	EA		
50	1515010044	ELBOW	2	EA		
50	1420010290	O-RING	1	EA		
53	1515600204	ADAPTOR	1	EA		
53	1420010290	O-RING	1	EA		
54	1533700071	CLAMP	4	EA		
56	1654640012	TRIM	1	EA	sold by the meter	

HYDRAULIC PIPING & TANK PIPING 2

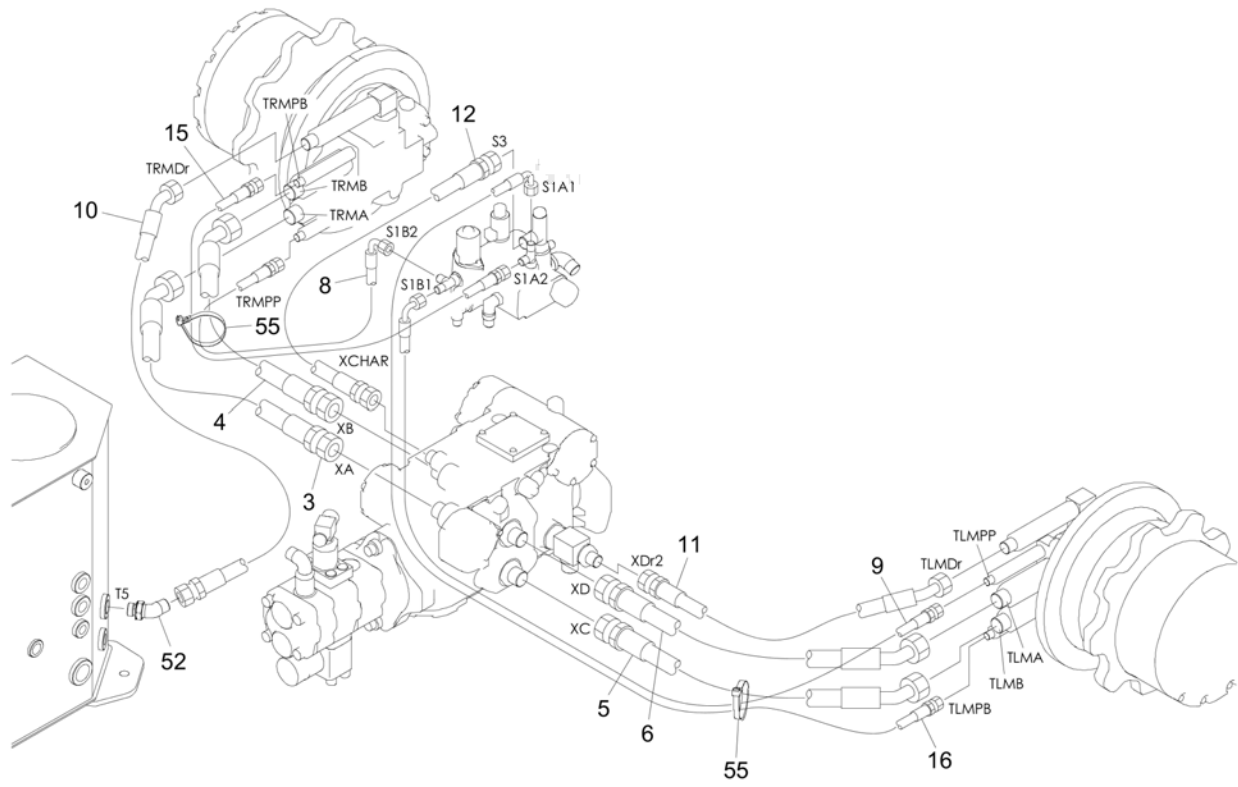


Item	Part No.	Name	Qty	Uom	Remarks	Serial Number
-	PNNA	PIPING ASSY		EA		
2	0007213014	BUSHING	1	EA		
21	0697000043	HOSE ASSY	1	EA	18010-22030	
22	0697000045	HOSE ASSY	1	EA	18010-23050	
23	0697000046	HOSE ASSY	1	EA	18010-89040	
24	0697000047	HOSE ASSY	1	EA	18010-23036	
25	0697000048	HOSE ASSY	1	EA	18010-52044	
26	0697000049	HOSE ASSY	1	EA	18010-22060	
28	0697000052	HOSE ASSY	1	EA	18010-52038	
29	0697000053	HOSE ASSY	1	EA	18010-22048	
30	*****	MANIFOLD	1	EA		
30-1	0375000056	MANIFOLD	1	EA		
30-2	1512340001	ELBOW	1	EA		
30-2	1420010110	O-RING	1	EA		
30-3	1515012040	ELBOW	1	EA		
30-3	1420010110	O-RING	1	EA		
30-4	1515600200	ADAPTOR	1	EA		
30-4	1420010110	O-RING	1	EA		
32	0697000076	HOSE ASSY	1	EA	18045-00132	
33	0697000077	HOSE ASSY	1	EA	18010-22044	
34	*****	MANIFOLD ASSY	1	EA		
34-1	0375000056	MANIFOLD	1	EA		
34-2	1512340001	ELBOW	1	EA		
34-2	1420010110	O-RING	1	EA		
34-3	1515012040	ELBOW	1	EA		
34-3	1420010110	O-RING	1	EA		
34-4	1515600571	ADAPTOR	1	EA		
34-4	1420010110	O-RING	1	EA		
40	1100050820	BOLT (10TM8 X 20 P/1.25)	4	EA		
41	1100041020	BOLT	3	EA		
42	1140020008	WASHER, spring	4	EA		
43	1140020010	WASHER, spring	5	EA		
44	1141110008	WASHER	4	EA		
46	1420010140	O-RING	1	EA		
47	1501750002	PLUG (FOR O-RING USE # 1420010110)	1	EA		
47	1420010110	O-RING	1	EA		
48	1501750003	PLUG	1	EA		
48	1420010140	O-RING	1	EA		

This page intentionally left blank

Item	Part No.	Name	Qty	Uom	Remarks	Serial Number
51	1515010041	ELBOW	2	EA		
51	1420010140	O-RING	1	EA		
57	1711900076	CLAMP	1	EA		

HYDRAULIC PIPING & TANK PIPING 3

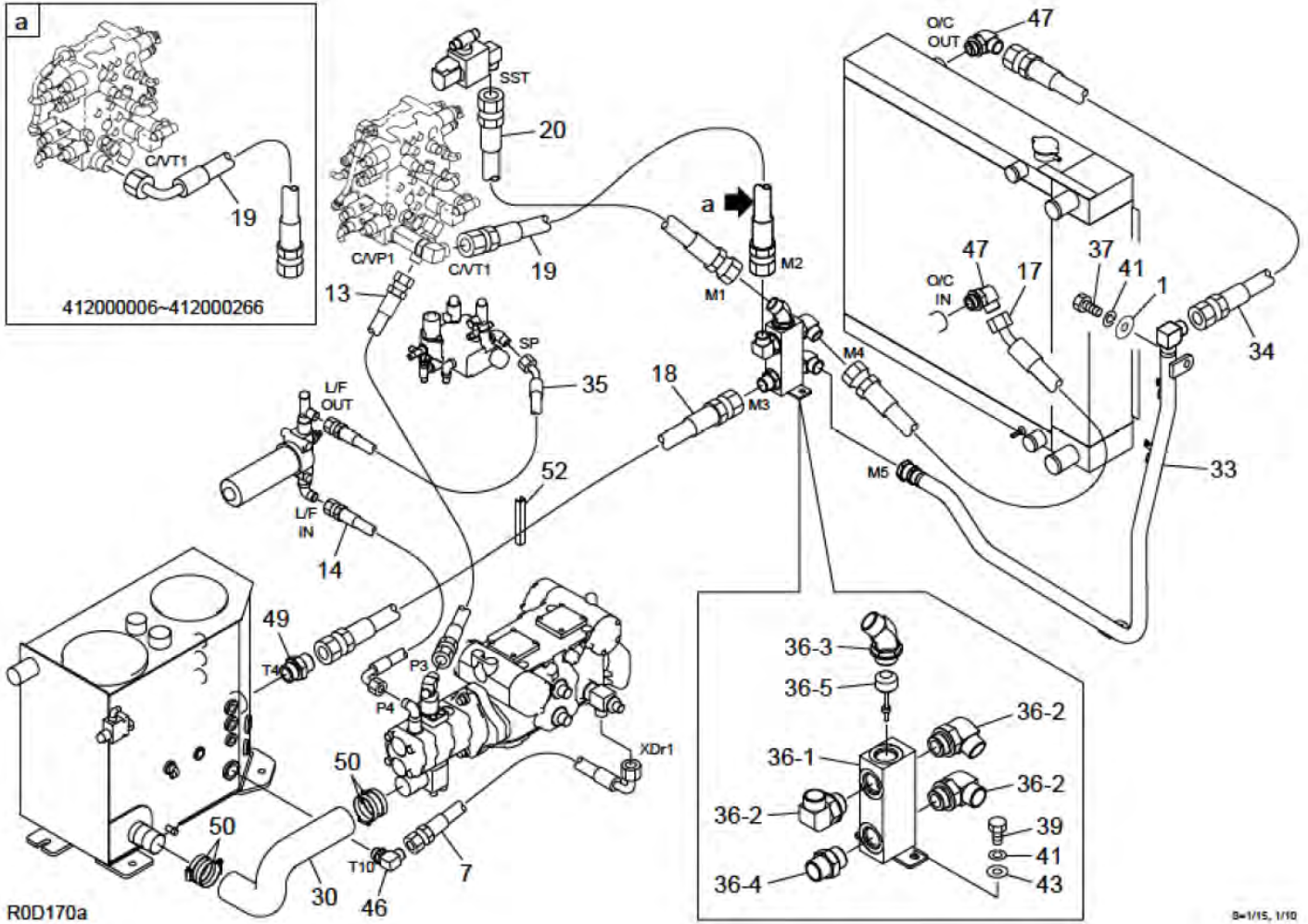


ROD061c

S=1/10

Item	Part No.	Name	Qty	Uom	Remarks	Serial Number
3	0697000008	HOSE ASSY	1	EA		
4	0697000009	HOSE ASSY	1	EA		
5	0697000011	HOSE ASSY	1	EA		
6	0697000012	HOSE ASSY	1	EA		
8	0697000014	HOSE ASSY	1	EA	18010-52060	
9	0697000015	HOSE ASSY	1	EA	18010-52138	
10	0697000016	HOSE ASSY	1	EA	18010-91072	
11	0697000017	HOSE ASSY	1	EA	18010-91050	
12	0697000018	HOSE ASSY	1	EA	18010-24054	
15	0697000024	HOSE ASSY	1	EA	18010-22072	
16	0697000025	HOSE ASSY	1	EA	18010-52155	
52	1515100112	ELBOW	1	EA		
52	1420010180	O-RING	1	EA		
55	1652231250	BAND (1st aux. Proportion)	2	EA		

HYDRAULIC PIPING & TANK PIPING (with ride control) 1



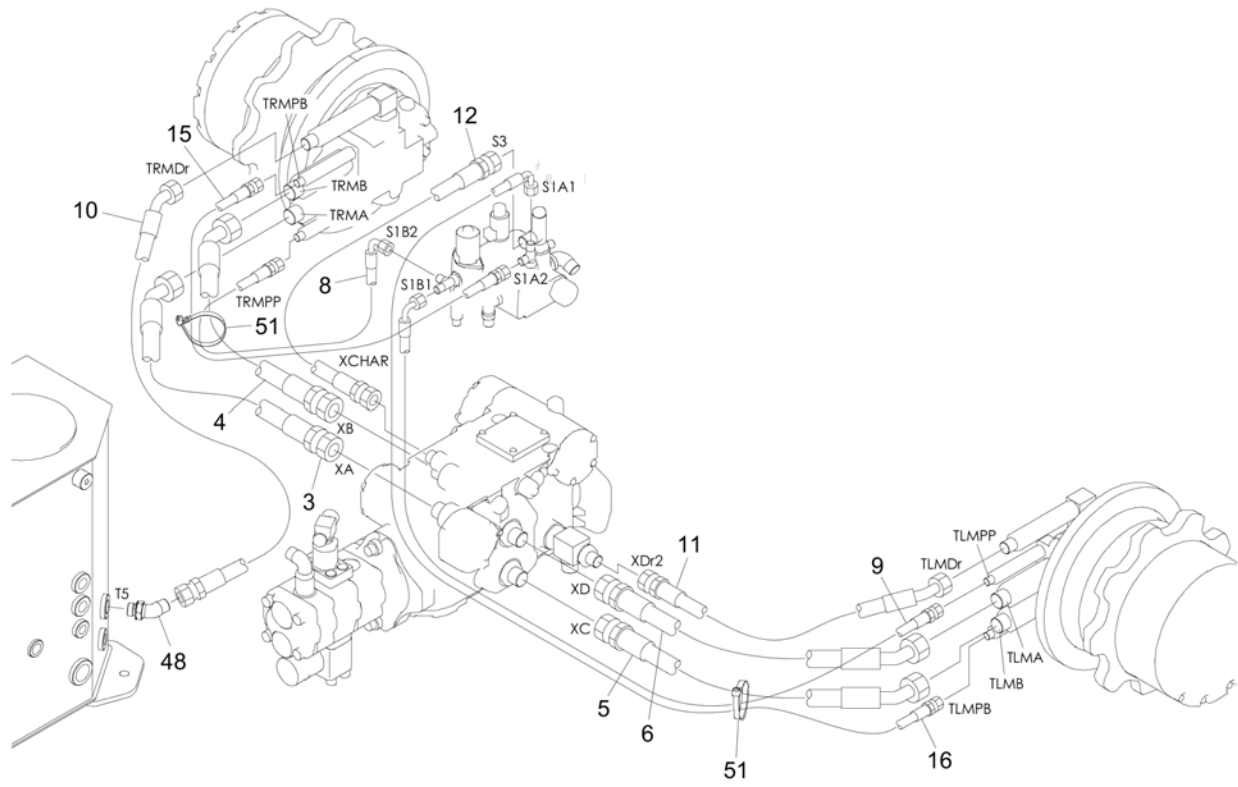
Item	Part No.	Name	Qty	Uom	Remarks	Serial Number
-	PNNA	PIPING ASSY		EA		
1	0003600025	WASHER	2	EA		
7	0697000013	HOSE ASSY	1	EA	18010-56058	
13	0697000019	HOSE ASSY	1	EA	18047-80072	412000006~412000266
13	0697000112	HOSE ASSY	1	EA	18047-80067	412000267~
14	0697000023	HOSE ASSY	1	EA	18010-57052	
17	0697000027	HOSE ASSY	1	EA		
18	0697000031	HOSE ASSY	1	EA		
19	0697000032	HOSE ASSY	1	EA		412000006~412000266
19	0697000113	HOSE ASSY	1	EA		412000267~
20	0697000033	HOSE ASSY	1	EA		
30	0697000066	HOSE (FOR PIPING)	1	EA		
33	0697000093	PIPE ASSY	1	EA		
34	0697000099	HOSE ASSY	1	EA		
35	0697000103	HOSE ASSY	1	EA	18010-91062	
36	*****	MANIFOLD ASSY	1	EA		
36-1	0697000105	MANIFOLD	1	EA		
36-2	1515010044	ELBOW	3	EA		
36-2	1420010290	O-RING	1	EA		
36-3	1515100114	ELBOW	1	EA		
36-3	1420010290	O-RING	1	EA		
36-4	1515600204	ADAPTOR	1	EA		
36-4	1420010290	O-RING	1	EA		
36-5	1540140830	VALVE, check	1	EA		
37	1100021025	BOLT	2	EA		
39	1100041020	BOLT	3	EA		
41	1140020010	WASHER, spring	5	EA		
43	1141550010	WASHER	2	EA		
46	1515010043	ELBOW	1	EA		
46	1420010240	O-RING	1	EA		
47	1515010044	ELBOW	2	EA		
47	1420010290	O-RING	1	EA		
49	1515600204	ADAPTOR	1	EA		
49	1420010290	O-RING	1	EA		
50	1533700071	CLAMP	4	EA		
52	1654640012	TRIM	1	EA	sold by the meter	

Item	Part No.	Name	Qty	Uom	Remarks	Serial Number
2	0007213014	BUSHING	1	EA		
21	0697000043	HOSE ASSY	1	EA	18010-22030	
22	0697000045	HOSE ASSY	1	EA	18010-23050	
23	0697000046	HOSE ASSY	1	EA	18010-89040	
24	0697000047	HOSE ASSY	1	EA	18010-23036	
25	0697000048	HOSE ASSY	1	EA	18010-52044	
26	0697000049	HOSE ASSY	1	EA	18010-22060	
27	0697000052	HOSE ASSY	1	EA	18010-52038	
28	0697000053	HOSE ASSY	1	EA	18010-22048	
29	*****	MANIFOLD ASSY	1	EA		
29-1	0375000056	MANIFOLD	1	EA		
29-2	1512340001	ELBOW	1	EA		
29-2	1420010110	O-RING	1	EA		
29-3	1515012040	ELBOW	1	EA		
29-3	1420010110	O-RING	1	EA		
29-4	1515600200	ADAPTOR	1	EA		
29-4	1420010110	O-RING	1	EA		
31	0697000077	HOSE ASSY	1	EA	18010-22044	
32	*****	MANIFOLD ASSY	1	EA		
32-1	0375000056	MANIFOLD	1	EA		
32-2	1512340001	ELBOW	1	EA		
32-2	1420010110	O-RING	1	EA		
32-3	1515012040	ELBOW	1	EA		
32-3	1420010110	O-RING	1	EA		
32-4	1515600571	ADAPTOR	1	EA		
32-4	1420010110	O-RING	1	EA		
38	1100050820	BOLT (10TM8 X 20 P/1.25)	4	EA		
39	1100041020	BOLT	3	EA		
40	1140020008	WASHER, spring	4	EA		
41	1140020010	WASHER, spring	5	EA		
42	1141110008	WASHER	4	EA		
44	1420010140	O-RING	1	EA		
45	1501750002	PLUG (FOR O-RING USE # 1420010110)	1	EA		
45	1420010110	O-RING	1	EA		
53	1711900076	CLAMP	1	EA		
54	0697000101	HOSE ASSY	1	EA	18047-21085	
55	0697000102	HOSE ASSY	1	EA	18047-21081	
56	0697000075	HOSE ASSY	1	EA	18045-00180	

This page intentionally left blank

Item	Part No.	Name	Qty	Uom	Remarks	Serial Number
57	0697000042	HOSE ASSY	1	EA	18010-23136	
58	0697000081	HOSE ASSY	1	EA	18045-22066	
59	1515010041	ELBOW	3	EA		
59	1420010140	O-RING	1	EA		

HYDRAULIC PIPING & TANK PIPING (with ride control) 3

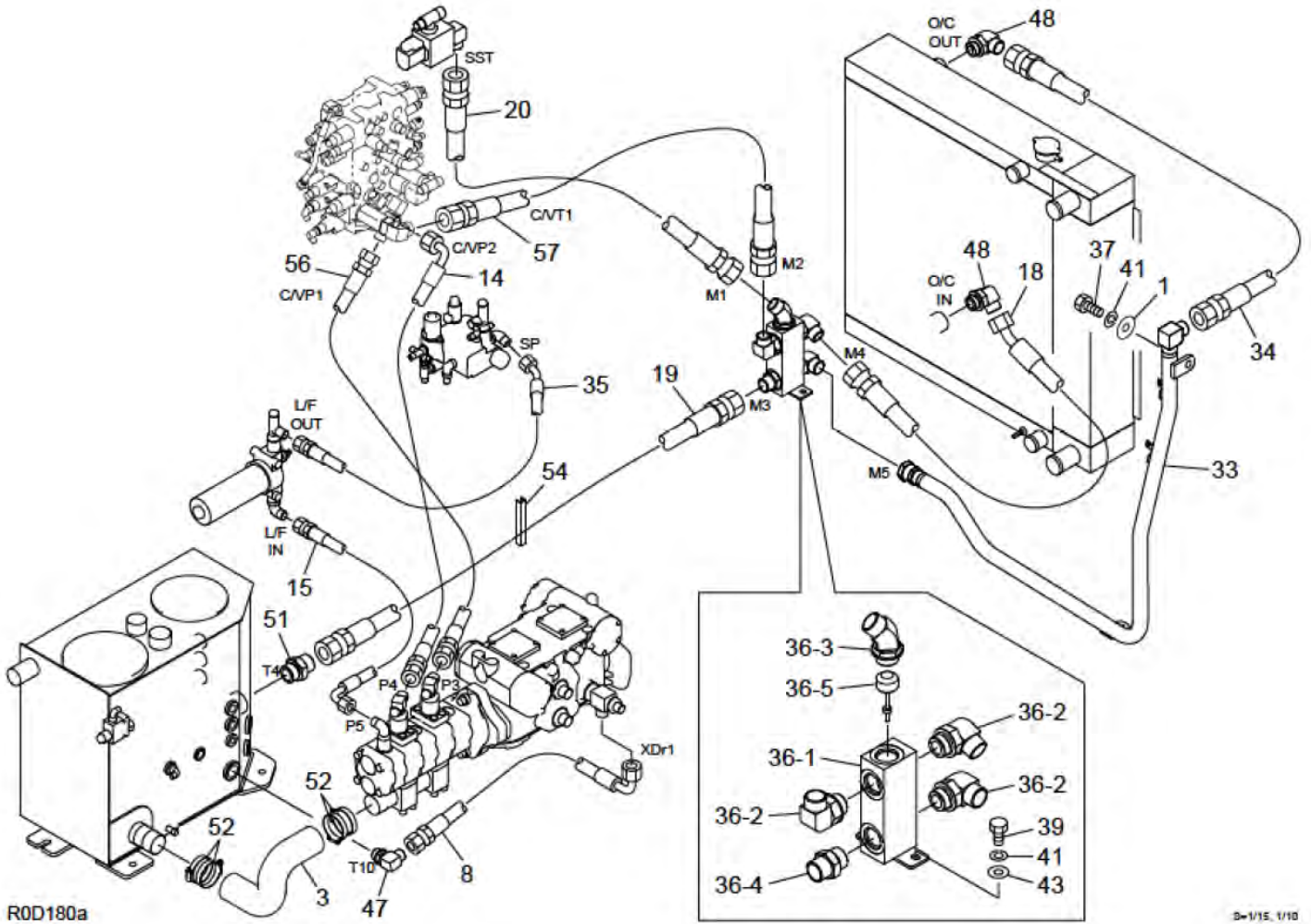


ROD170c

S=1/10

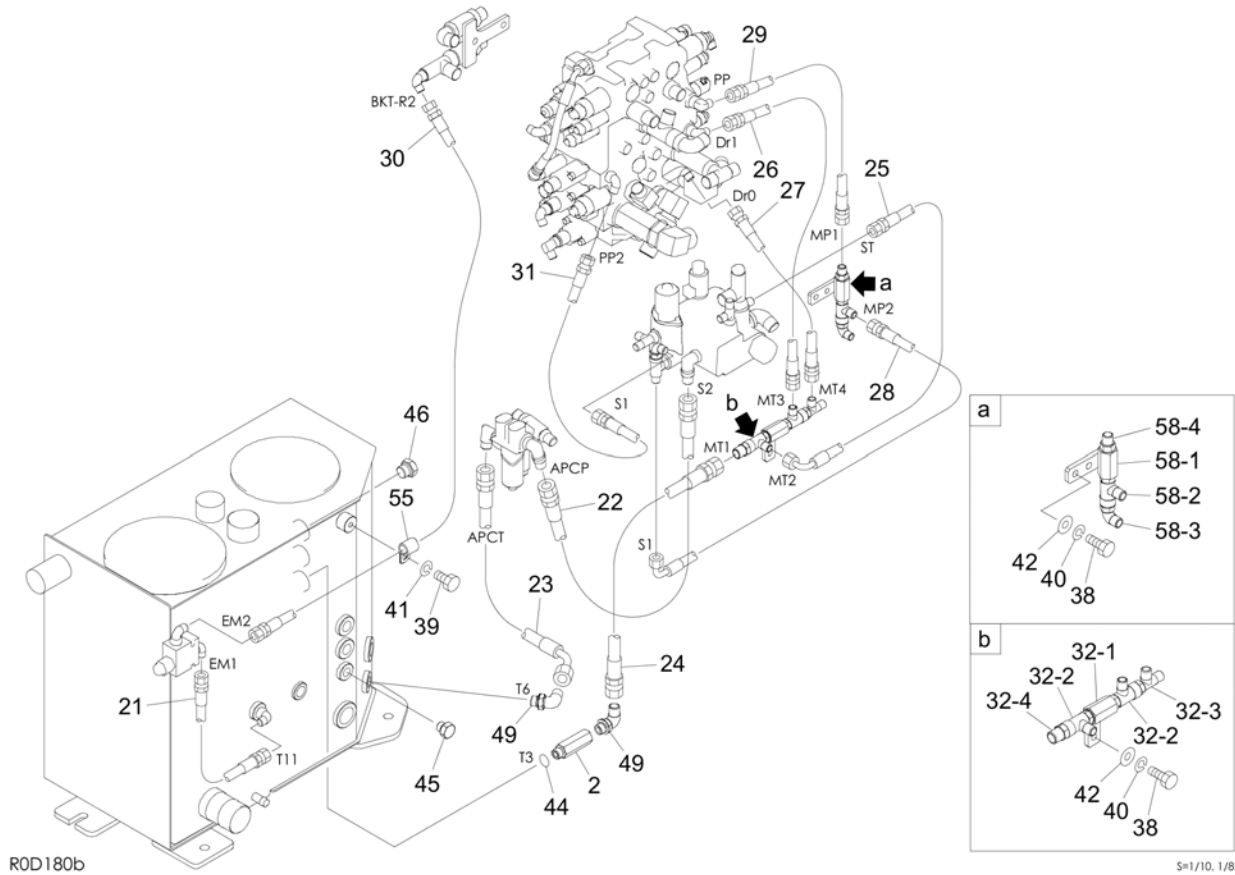
Item	Part No.	Name	Qty	Uom	Remarks	Serial Number
3	0697000008	HOSE ASSY	1	EA		
4	0697000009	HOSE ASSY	1	EA		
5	0697000011	HOSE ASSY	1	EA		
6	0697000012	HOSE ASSY	1	EA		
8	0697000014	HOSE ASSY	1	EA	18010-52060	
9	0697000015	HOSE ASSY	1	EA	18010-52138	
10	0697000016	HOSE ASSY	1	EA	18010-91072	
11	0697000017	HOSE ASSY	1	EA	18010-91050	
12	0697000018	HOSE ASSY	1	EA	18010-24054	
15	0697000024	HOSE ASSY	1	EA	18010-22072	
16	0697000025	HOSE ASSY	1	EA	18010-52155	
48	1515100112	ELBOW	1	EA		
48	1420010180	O-RING	1	EA		
51	1652231250	BAND (1st aux. Proportion)	2	EA		

HYDRAULIC PIPING & TANK PIPING (high flow) 1



Item	Part No.	Name	Qty	Uom	Remarks	Serial Number
-	PNNA	PIPING ASSY		EA		
1	0003600025	WASHER	2	EA		
3	0697000007	HOSE (LOWER) (HIGH FLOW)	1	EA		
8	0697000013	HOSE ASSY	1	EA	18010-56058	
14	0697000021	HOSE ASSY	1	EA	18047-61075	
15	0697000022	HOSE ASSY	1	EA	18010-57060	
18	0697000027	HOSE ASSY	1	EA		
19	0697000031	HOSE ASSY	1	EA		
20	0697000033	HOSE ASSY	1	EA		
33	0697000093	PIPE ASSY	1	EA		
34	0697000099	HOSE ASSY	1	EA		
35	0697000103	HOSE ASSY	1	EA	18010-91062	
36	*****	MANIFOLD ASSY	1	EA		
36-1	0697000105	MANIFOLD	1	EA		
36-2	1515010044	ELBOW	3	EA		
36-2	1420010290	O-RING	1	EA		
36-3	1515100114	ELBOW	1	EA		
36-3	1420010290	O-RING	1	EA		
36-4	1515600204	ADAPTOR	1	EA		
36-4	1420010290	O-RING	1	EA		
36-5	1540140830	VALVE, check	1	EA		
37	1100021025	BOLT	2	EA		
39	1100041020	BOLT	3	EA		
41	1140020010	WASHER, spring	5	EA		
43	1141550010	WASHER	2	EA		
47	1515010043	ELBOW	1	EA		
47	1420010240	O-RING	1	EA		
48	1515010044	ELBOW	2	EA		
48	1420010290	O-RING	1	EA		
51	1515600204	ADAPTOR	1	EA		
51	1420010290	O-RING	1	EA		
52	1533700071	CLAMP	4	EA		
54	1654640012	TRIM	1	EA	sold by the meter	
56	0697000112	HOSE ASSY	1	EA	18047-80067	
57	0697000113	HOSE ASSY	1	EA		

HYDRAULIC PIPING & TANK PIPING (high flow) 2

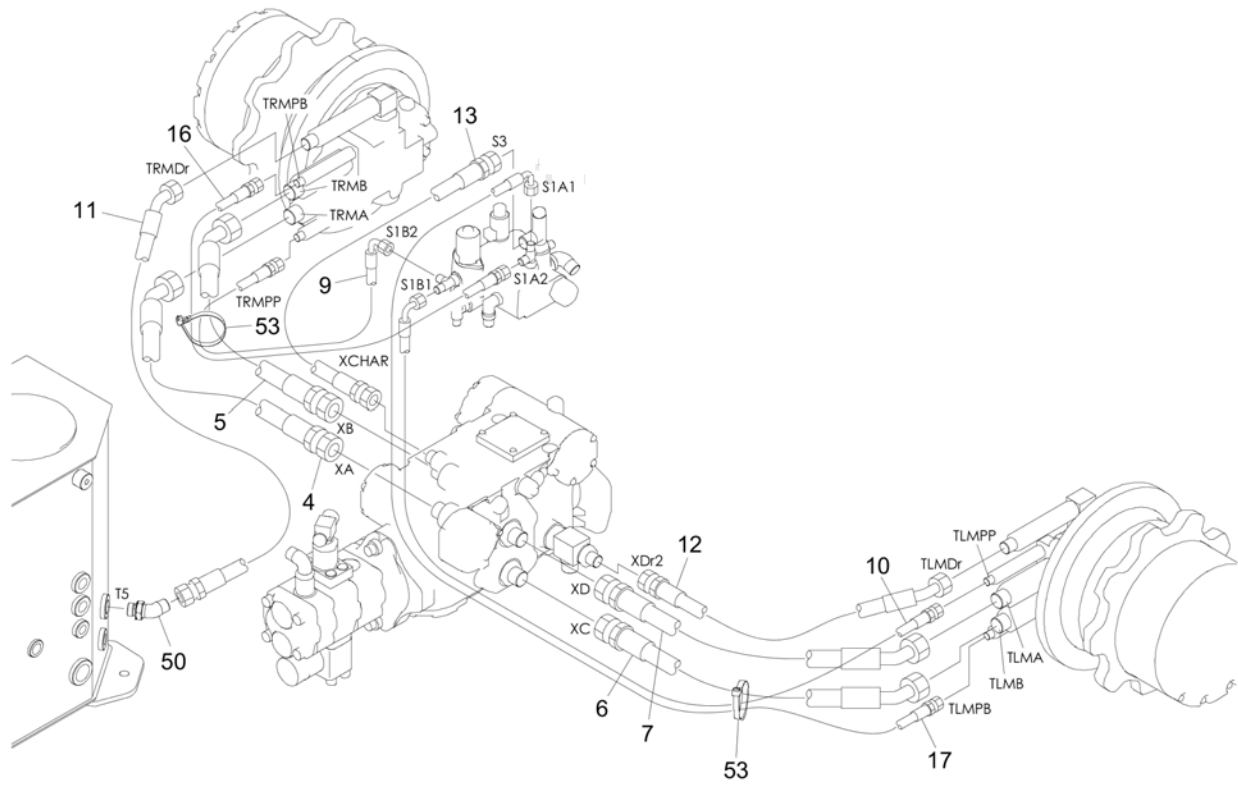


Item	Part No.	Name	Qty	Uom	Remarks	Serial Number
2	0007213014	BUSHING	1	EA		
21	0697000043	HOSE ASSY	1	EA	18010-22030	
22	0697000045	HOSE ASSY	1	EA	18010-23050	
23	0697000046	HOSE ASSY	1	EA	18010-89040	
24	0697000047	HOSE ASSY	1	EA	18010-23036	
25	0697000048	HOSE ASSY	1	EA	18010-52044	
26	0697000049	HOSE ASSY	1	EA	18010-22060	
27	0697000051	HOSE ASSY	1	EA	18010-22036	
28	0697000052	HOSE ASSY	1	EA	18010-52038	
29	0697000053	HOSE ASSY	1	EA	18010-22048	
30	0697000076	HOSE ASSY	1	EA	18045-00132	
31	0697000077	HOSE ASSY	1	EA	18010-22044	
32	*****	MANIFOLD ASSY	1	EA		
32-1	0375000056	MANIFOLD	1	EA		
32-2	1512340001	ELBOW	2	EA		
32-2	1420010110	O-RING	1	EA		
32-3	1512370011	TEE	1	EA		
32-3	1420010110	O-RING	1	EA		
32-4	1515600571	ADAPTOR	1	EA		
32-4	1420010110	O-RING	1	EA		
38	1100050820	BOLT (10TM8 X 20 P/1.25)	4	EA		
39	1100041020	BOLT	3	EA		
40	1140020008	WASHER, spring	4	EA		
41	1140020010	WASHER, spring	5	EA		
42	1141110008	WASHER	4	EA		
44	1420010140	O-RING	1	EA		
45	1501750002	PLUG (FOR O-RING USE # 1420010110)	1	EA		
45	1420010110	O-RING	1	EA		
46	1501750003	PLUG	1	EA		
46	1420010140	O-RING	1	EA		
49	1515010041	ELBOW	2	EA		
49	1420010140	O-RING	1	EA		
55	1711900076	CLAMP	1	EA		
58	*****	MANIFOLD ASSY	1	EA		
58-1	0375000056	MANIFOLD	1	EA		
58-2	1512340001	ELBOW	1	EA		
58-2	1420010110	O-RING	1	EA		
58-3	1515012040	ELBOW	1	EA		

This page intentionally left blank

Item	Part No.	Name	Qty	Uom	Remarks	Serial Number
58-3	1420010110	O-RING	1	EA		
58-4	1515600200	ADAPTOR	1	EA		
58-4	1420010110	O-RING	1	EA		

HYDRAULIC PIPING & TANK PIPING (high flow) 3

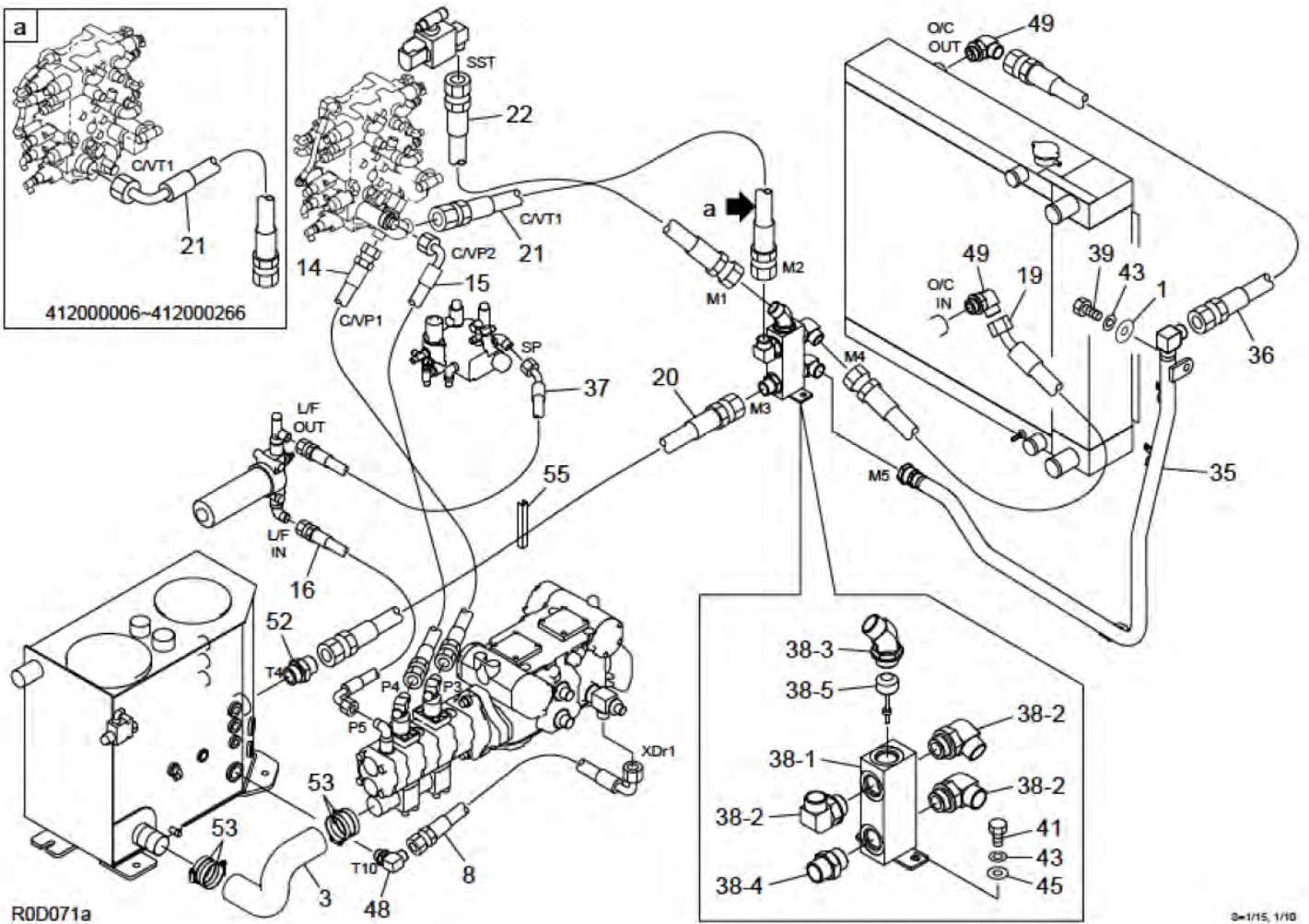


ROD180c

S=1/10

Item	Part No.	Name	Qty	Uom	Remarks	Serial Number
4	0697000008	HOSE ASSY	1	EA		
5	0697000009	HOSE ASSY	1	EA		
6	0697000011	HOSE ASSY	1	EA		
7	0697000012	HOSE ASSY	1	EA		
9	0697000014	HOSE ASSY	1	EA	18010-52060	
10	0697000015	HOSE ASSY	1	EA	18010-52138	
11	0697000016	HOSE ASSY	1	EA	18010-91072	
12	0697000017	HOSE ASSY	1	EA	18010-91050	
13	0697000018	HOSE ASSY	1	EA	18010-24054	
16	0697000024	HOSE ASSY	1	EA	18010-22072	
17	0697000025	HOSE ASSY	1	EA	18010-52155	
50	1515100112	ELBOW	1	EA		
50	1420010180	O-RING	1	EA		
53	1652231250	BAND (1st aux. Proportion)	2	EA		

HYDRAULIC PIPING & TANK PIPING (high flow) (with 2nd aux. line) 1



Item	Part No.	Name	Qty	Uom	Remarks	Serial Number
-	PNNA	PIPING ASSY		EA		
1	0003600025	WASHER	2	EA		
3	0697000007	HOSE (LOWER) (HIGH FLOW)	1	EA		
8	0697000013	HOSE ASSY	1	EA	18010-56058	
14	0697000019	HOSE ASSY	1	EA	18047-80072	412000006~412000266
14	0697000112	HOSE ASSY	1	EA	18047-80067	412000267~
15	0697000021	HOSE ASSY	1	EA	18047-61075	
16	0697000022	HOSE ASSY	1	EA	18010-57060	
19	0697000027	HOSE ASSY	1	EA		
20	0697000031	HOSE ASSY	1	EA		
21	0697000032	HOSE ASSY	1	EA		412000006~412000266
21	0697000113	HOSE ASSY	1	EA		412000267~
22	0697000033	HOSE ASSY	1	EA		
35	0697000093	PIPE ASSY	1	EA		
36	0697000099	HOSE ASSY	1	EA		
37	0697000103	HOSE ASSY	1	EA	18010-91062	
38	*****	MANIFOLD ASSY	1	EA		
38-1	0697000105	MANIFOLD	1	EA		
38-2	1515010044	ELBOW	3	EA		
38-2	1420010290	O-RING	1	EA		
38-3	1515100114	ELBOW	1	EA		
38-3	1420010290	O-RING	1	EA		
38-4	1515600204	ADAPTOR	1	EA		
38-4	1420010290	O-RING	1	EA		
38-5	1540140830	VALVE, check	1	EA		
39	1100021025	BOLT	2	EA		
41	1100041020	BOLT	3	EA		
43	1140020010	WASHER, spring	5	EA		
45	1141550010	WASHER	2	EA		
48	1515010043	ELBOW	1	EA		
48	1420010240	O-RING	1	EA		
49	1515010044	ELBOW	2	EA		
49	1420010290	O-RING	1	EA		
52	1515600204	ADAPTOR	1	EA		
52	1420010290	O-RING	1	EA		
53	1533700071	CLAMP	4	EA		
55	1654640012	TRIM	1	EA	sold by the meter	

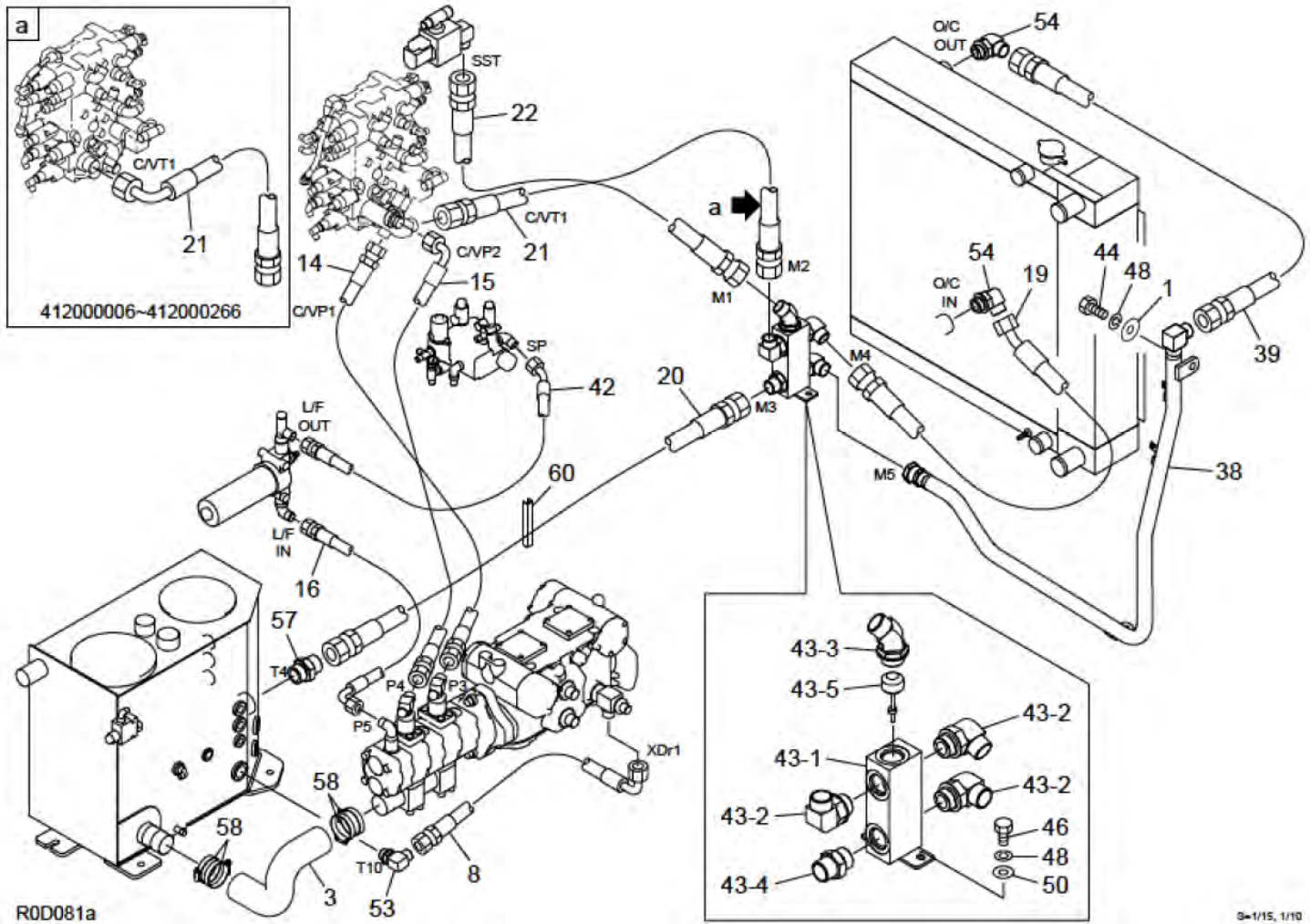
Item	Part No.	Name	Qty	Uom	Remarks	Serial Number
2	0007213014	BUSHING	1	EA		
23	0697000043	HOSE ASSY	1	EA	18010-22030	
24	0697000045	HOSE ASSY	1	EA	18010-23050	
25	0697000046	HOSE ASSY	1	EA	18010-89040	
26	0697000047	HOSE ASSY	1	EA	18010-23036	
27	0697000048	HOSE ASSY	1	EA	18010-52044	
28	0697000049	HOSE ASSY	1	EA	18010-22060	
29	0697000051	HOSE ASSY	1	EA	18010-22036	
30	0697000052	HOSE ASSY	1	EA	18010-52038	
31	0697000053	HOSE ASSY	1	EA	18010-22048	
32	*****	MANIFOLD ASSY	1	EA		
32-1	0375000056	MANIFOLD	1	EA		
32-2	1512340001	ELBOW	1	EA		
32-2	1420010110	O-RING	1	EA		
32-3	1512370011	TEE	1	EA		
32-3	1420010110	O-RING	1	EA		
32-4	1515600200	ADAPTOR	1	EA		
32-4	1420010110	O-RING	1	EA		
33	0697000077	HOSE ASSY	1	EA	18010-22044	
34	*****	MANIFOLD ASSY		EA		
34-1	0375000056	MANIFOLD	1	EA		
34-2	1512340001	ELBOW	2	EA		
34-2	1420010110	O-RING	1	EA		
34-3	1512370011	TEE	1	EA		
34-3	1420010110	O-RING	1	EA		
34-4	1515600571	ADAPTOR	1	EA		
34-4	1420010110	O-RING	1	EA		
40	1100050820	BOLT (10TM8 X 20 P/1.25)	4	EA		
41	1100041020	BOLT	3	EA		
42	1140020008	WASHER, spring	4	EA		
43	1140020010	WASHER, spring	5	EA		
44	1141110008	WASHER	4	EA		
46	1420010140	O-RING	1	EA		
47	1501750002	PLUG (FOR O-RING USE # 1420010110)	1	EA		
47	1420010110	O-RING	1	EA		
50	1515010041	ELBOW	2	EA		
50	1420010140	O-RING	1	EA		
56	1711900076	CLAMP	1	EA		

This page intentionally left blank

Item	Part No.	Name	Qty	Uom	Remarks	Serial Number
57	0697000076	HOSE ASSY	1	EA	18045-00132	
58	1501750003	PLUG	1	EA		
58	1420010140	O-RING	1	EA		

Item	Part No.	Name	Qty	Uom	Remarks	Serial Number
4	0697000008	HOSE ASSY	1	EA		
5	0697000009	HOSE ASSY	1	EA		
6	0697000011	HOSE ASSY	1	EA		
7	0697000012	HOSE ASSY	1	EA		
9	0697000014	HOSE ASSY	1	EA	18010-52060	
10	0697000015	HOSE ASSY	1	EA	18010-52138	
11	0697000016	HOSE ASSY	1	EA	18010-91072	
12	0697000017	HOSE ASSY	1	EA	18010-91050	
13	0697000018	HOSE ASSY	1	EA	18010-24054	
17	0697000024	HOSE ASSY	1	EA	18010-22072	
18	0697000025	HOSE ASSY	1	EA	18010-52155	
51	1515100112	ELBOW	1	EA		
51	1420010180	O-RING	1	EA		
54	1652231250	BAND (1st aux. Proportion)	2	EA		

HYDRAULIC PIPING & TANK PIPING (high flow) (with ride control) 1

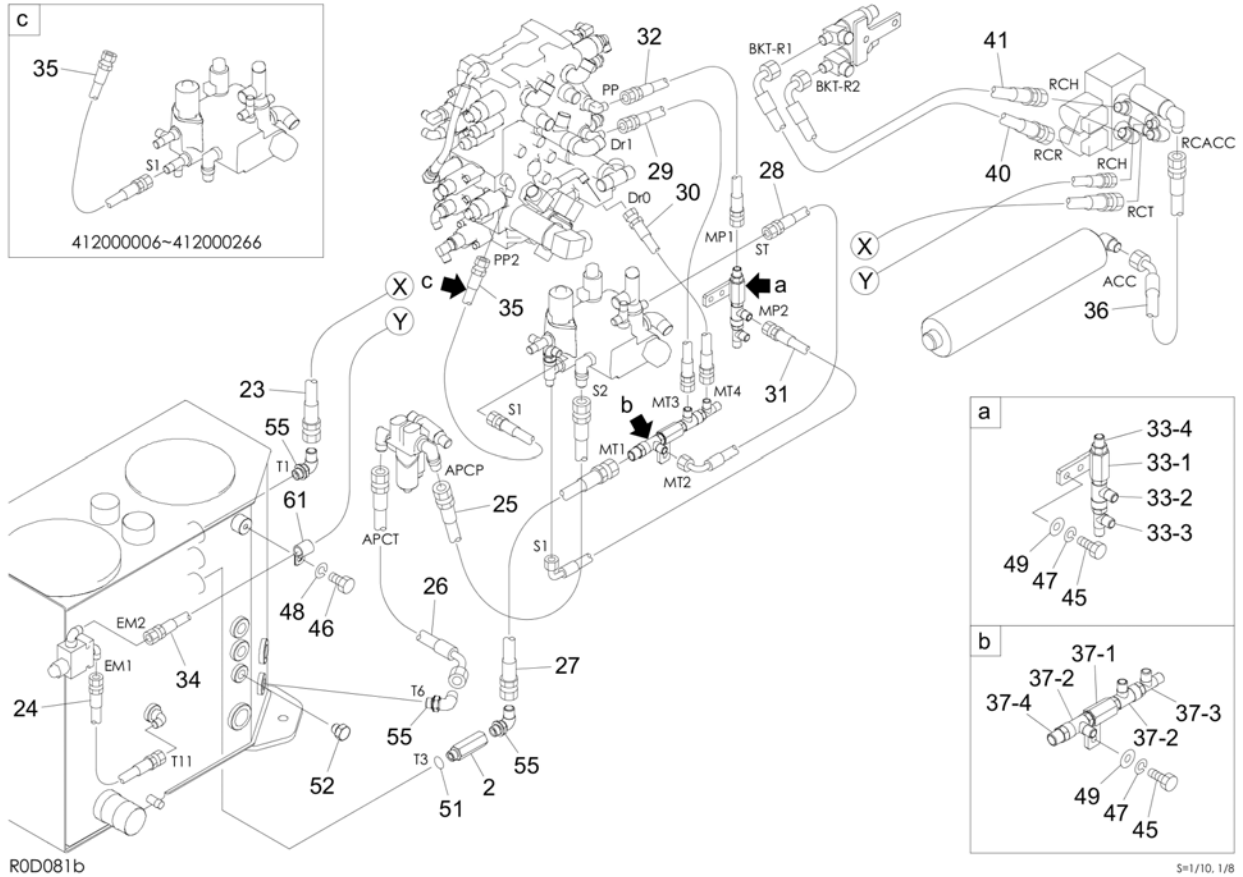


R0D081a

9-1/15, 1/10

Item	Part No.	Name	Qty	Uom	Remarks	Serial Number
Not Shown	PNNA	PIPING ASSY		EA		
1	0003600025	WASHER	2	EA		
3	0697000007	HOSE (LOWER) (HIGH FLOW)	1	EA		
8	0697000013	HOSE ASSY	1	EA	18010-56058	
14	0697000019	HOSE ASSY	1	EA	18047-80072	412000006~412000266
14	0697000112	HOSE ASSY	1	EA	18047-80067	412000267~
15	0697000021	HOSE ASSY	1	EA	18047-61075	
16	0697000022	HOSE ASSY	1	EA	18010-57060	
19	0697000027	HOSE ASSY	1	EA		
20	0697000031	HOSE ASSY	1	EA		
21	0697000032	HOSE ASSY	1	EA		412000006~412000266
21	0697000113	HOSE ASSY	1	EA		412000267~
22	0697000033	HOSE ASSY	1	EA		
38	0697000093	PIPE ASSY	1	EA		
39	0697000099	HOSE ASSY	1	EA		
42	0697000103	HOSE ASSY	1	EA	18010-91062	
43	*****	MANIFOLD ASSY		EA		
43-1	0697000105	MANIFOLD	1	EA		
43-2	1515010044	ELBOW	3	EA		
43-2	1420010290	O-RING	1	EA		
43-3	1515100114	ELBOW	1	EA		
43-3	1420010290	O-RING	1	EA		
43-4	1515600204	ADAPTOR	1	EA		
43-4	1420010290	O-RING	1	EA		
43-5	1540140830	VALVE, check	1	EA		
44	1100021025	BOLT	2	EA		
46	1100041020	BOLT	3	EA		
48	1140020010	WASHER, spring	5	EA		
50	1141550010	WASHER	2	EA		
53	1515010043	ELBOW	1	EA		
53	1420010240	O-RING	1	EA		
54	1515010044	ELBOW	2	EA		
54	1420010290	O-RING	1	EA		
57	1515600204	ADAPTOR	1	EA		
57	1420010290	O-RING	1	EA		
58	1533700071	CLAMP	4	EA		
60	1654640012	TRIM	1	EA	sold by the meter	

HYDRAULIC PIPING & TANK PIPING (high flow) (with ride control) 2

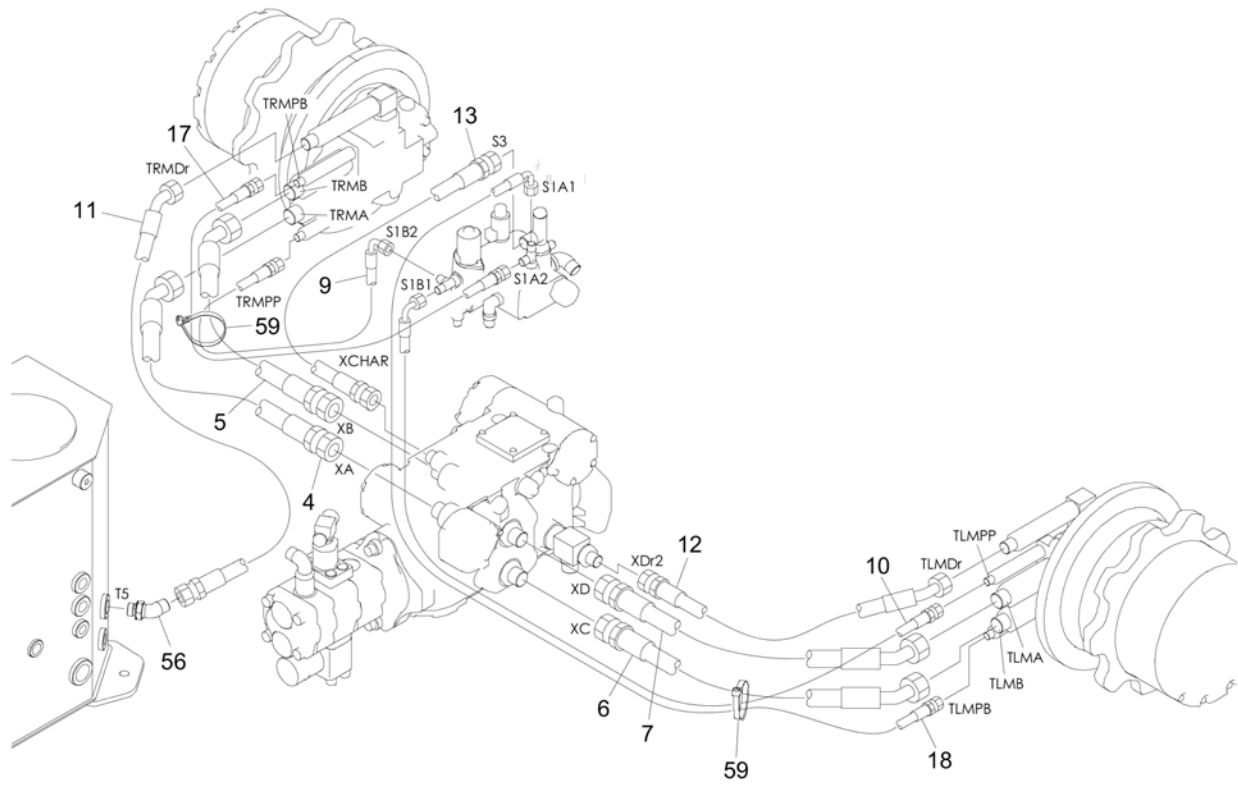


Item	Part No.	Name	Qty	Uom	Remarks	Serial Number
2	0007213014	BUSHING	1	EA		
23	0697000042	HOSE ASSY	1	EA	18010-23136	
24	0697000043	HOSE ASSY	1	EA	18010-22030	
25	0697000045	HOSE ASSY	1	EA	18010-23050	
26	0697000046	HOSE ASSY	1	EA	18010-89040	
27	0697000047	HOSE ASSY	1	EA	18010-23036	
28	0697000048	HOSE ASSY	1	EA	18010-52044	
29	0697000049	HOSE ASSY	1	EA	18010-22060	
30	0697000051	HOSE ASSY	1	EA	18010-22036	
31	0697000052	HOSE ASSY	1	EA	18010-52038	
32	0697000053	HOSE ASSY	1	EA	18010-22048	
33	*****	MANIFOLD ASSY	1	EA		
33-1	0375000056	MANIFOLD	1	EA		
33-2	1512340001	ELBOW	1	EA		
33-2	1420010110	O-RING	1	EA		
33-3	1512370011	TEE	1	EA		
33-3	1420010110	O-RING	1	EA		
33-4	1515600200	ADAPTOR	1	EA		
33-4	1420010110	O-RING	1	EA		
34	0697000075	HOSE ASSY	1	EA	18045-00180	
35	0697000077	HOSE ASSY	1	EA	18010-22044	
36	0697000081	HOSE ASSY	1	EA	18045-22066	
37	*****	MANIFOLD ASSY	1	EA		
37-1	0375000056	MANIFOLD	1	EA		
37-2	1512340001	ELBOW	2	EA		
37-2	1420010110	O-RING	1	EA		
37-3	1512370011	TEE	1	EA		
37-3	1420010110	O-RING	1	EA		
37-4	1515600571	ADAPTOR	1	EA		
37-4	1420010110	O-RING	1	EA		
40	0697000101	HOSE ASSY	1	EA	18047-21085	
41	0697000102	HOSE ASSY	1	EA	18047-21081	
45	1100050820	BOLT (10TM8 X 20 P/1.25)	4	EA		
46	1100041020	BOLT	3	EA		
47	1140020008	WASHER, spring	4	EA		
48	1140020010	WASHER, spring	5	EA		
49	1141110008	WASHER	4	EA		
51	1420010140	O-RING	1	EA		

This page intentionally left blank

Item	Part No.	Name	Qty	Uom	Remarks	Serial Number
52	1501750002	PLUG (FOR O-RING USE # 1420010110)	1	EA		
52	1420010110	O-RING	1	EA		
55	1515010041	ELBOW	3	EA		
55	1420010140	O-RING	1	EA		
61	1711900076	CLAMP	1	EA		

HYDRAULIC PIPING & TANK PIPING (high flow) (with ride control) 3



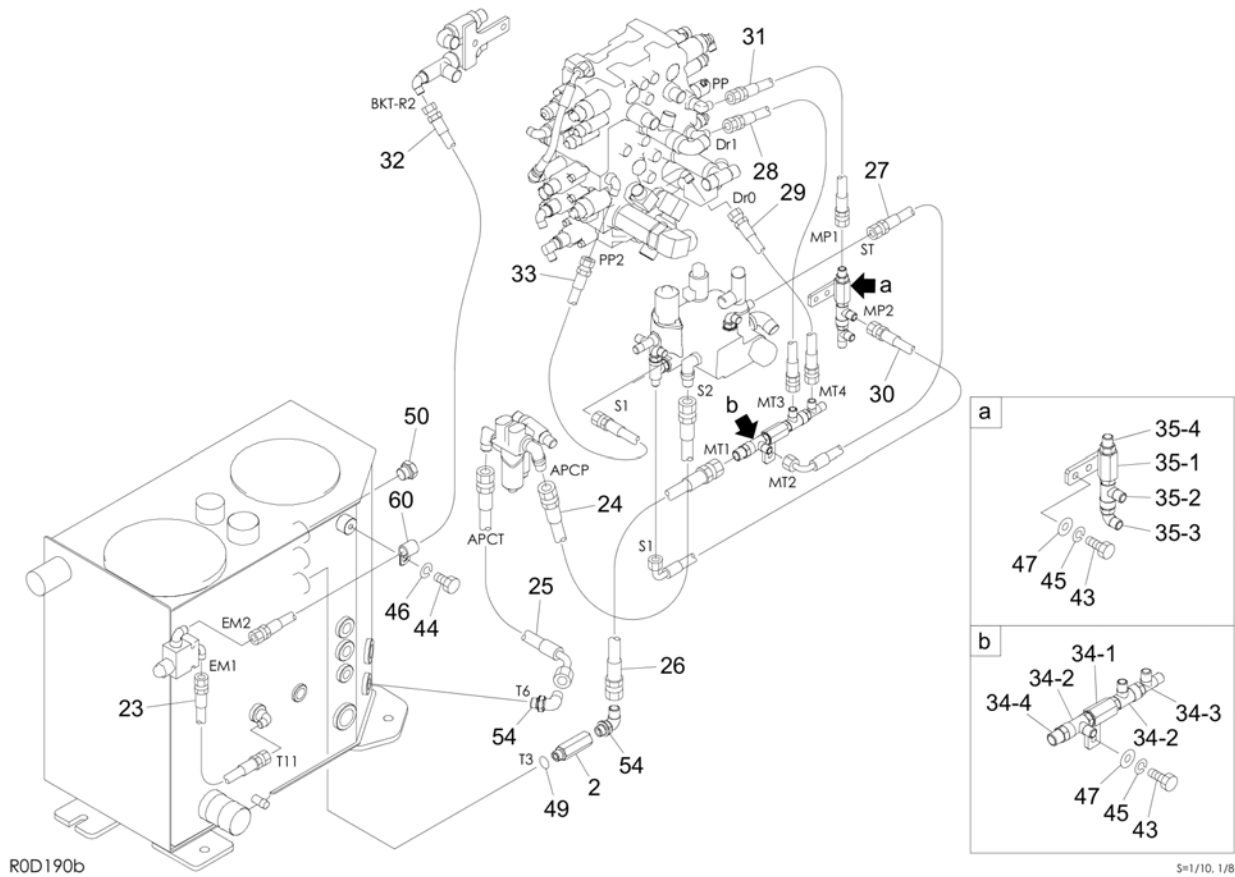
ROD081c

S=1/10

Item	Part No.	Name	Qty	Uom	Remarks	Serial Number
4	0697000008	HOSE ASSY	1	EA		
5	0697000009	HOSE ASSY	1	EA		
6	0697000011	HOSE ASSY	1	EA		
7	0697000012	HOSE ASSY	1	EA		
9	0697000014	HOSE ASSY	1	EA	18010-52060	
10	0697000015	HOSE ASSY	1	EA	18010-52138	
11	0697000016	HOSE ASSY	1	EA	18010-91072	
12	0697000017	HOSE ASSY	1	EA	18010-91050	
13	0697000018	HOSE ASSY	1	EA	18010-24054	
17	0697000024	HOSE ASSY	1	EA	18010-22072	
18	0697000025	HOSE ASSY	1	EA	18010-52155	
56	1515100112	ELBOW	1	EA		
56	1420010180	O-RING	1	EA		
59	1652231250	BAND (1st aux. Proportion)	2	EA		

Item	Part No.	Name	Qty	Uom	Remarks	Serial Number
-	PNNA	PIPING ASSY		EA		
1	0003600025	WASHER	2	EA		
3	0697000007	HOSE (LOWER) (HIGH FLOW)	1	EA		
8	0697000013	HOSE ASSY	1	EA	18010-56058	
14	0697000021	HOSE ASSY	1	EA	18047-61075	
15	0697000022	HOSE ASSY	1	EA	18010-57060	
16	0697000027	HOSE ASSY	1	EA		
17	0697000031	HOSE ASSY	1	EA		
18	0697000033	HOSE ASSY	1	EA		
36	0697000093	PIPE ASSY	1	EA		
37	0697000099	HOSE ASSY	1	EA		
38	0697000103	HOSE ASSY	1	EA	18010-91062	
39	*****	MANIFOLD ASSY		EA		
39-1	0697000105	MANIFOLD	1	EA		
39-2	1515010044	ELBOW	3	EA		
39-2	1420010290	O-RING	1	EA		
39-3	1515100114	ELBOW	1	EA		
39-3	1420010290	O-RING	1	EA		
39-4	1515600204	ADAPTOR	1	EA		
39-4	1420010290	O-RING	1	EA		
39-5	1540140830	VALVE, check	1	EA		
40	0697000112	HOSE ASSY	1	EA	18047-80067	
41	0697000113	HOSE ASSY	1	EA		
42	1100021025	BOLT	2	EA		
44	1100041020	BOLT	3	EA		
46	1140020010	WASHER, spring	5	EA		
48	1141550010	WASHER	2	EA		
51	1515010043	ELBOW	1	EA		
51	1420010240	O-RING	1	EA		
52	1515010044	ELBOW	2	EA		
52	1420010290	O-RING	1	EA		
56	1515600204	ADAPTOR	1	EA		
56	1420010290	O-RING	1	EA		
57	1533700071	CLAMP	4	EA		
59	1654640012	TRIM	1	EA	sold by the meter	

HYDRAULIC PIPING & TANK PIPING (high flow) (with parking brake) 2

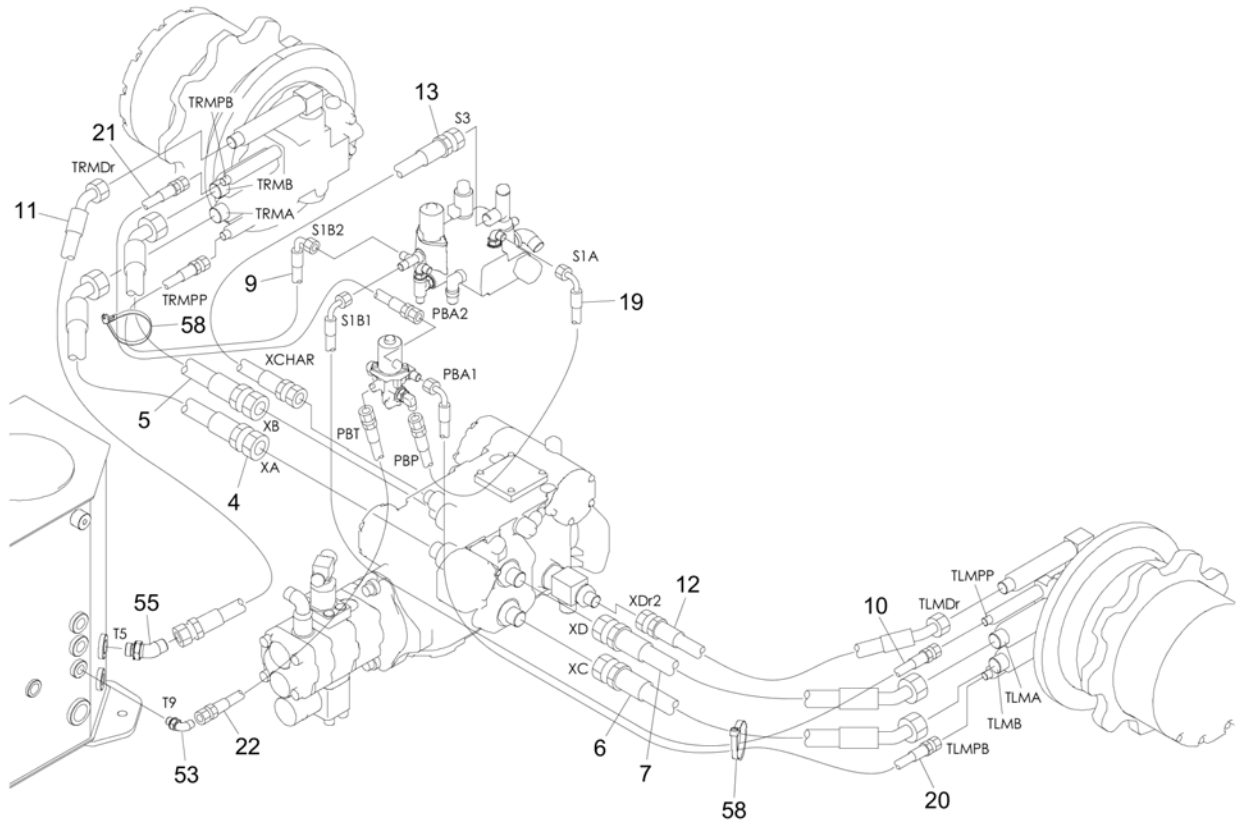


Item	Part No.	Name	Qty	Uom	Remarks	Serial Number
2	0007213014	BUSHING	1	EA		
23	0697000043	HOSE ASSY	1	EA	18010-22030	
24	0697000045	HOSE ASSY	1	EA	18010-23050	
25	0697000046	HOSE ASSY	1	EA	18010-89040	
26	0697000047	HOSE ASSY	1	EA	18010-23036	
27	0697000048	HOSE ASSY	1	EA	18010-52044	
28	0697000049	HOSE ASSY	1	EA	18010-22060	
29	0697000051	HOSE ASSY	1	EA	18010-22036	
30	0697000052	HOSE ASSY	1	EA	18010-52038	
31	0697000053	HOSE ASSY	1	EA	18010-22048	
32	0697000076	HOSE ASSY	1	EA	18045-00132	
33	0697000077	HOSE ASSY	1	EA	18010-22044	
34	*****	MANIFOLD ASSY	1	EA		
34-1	0375000056	MANIFOLD	1	EA		
34-2	1512340001	ELBOW	2	EA		
34-2	1420010110	O-RING	1	EA		
34-3	1512370011	TEE	1	EA		
34-3	1420010110	O-RING	1	EA		
34-4	1515600571	ADAPTOR	1	EA		
34-4	1420010110	O-RING	1	EA		
43	1100050820	BOLT (10TM8 X 20 P/1.25)	4	EA		
35	*****	MANIFOLD ASSY	1	EA		
35-1	0375000056	MANIFOLD	1	EA		
35-2	1512340001	ELBOW	1	EA		
35-2	1420010110	O-RING	1	EA		
35-3	1515012040	ELBOW	1	EA		
35-3	1420010110	O-RING	1	EA		
35-4	1515600200	ADAPTOR	1	EA		
35-4	1420010110	O-RING	1	EA		
44	1100041020	BOLT	3	EA		
45	1140020008	WASHER, spring	4	EA		
46	1140020010	WASHER, spring	5	EA		
47	1141110008	WASHER	4	EA		
49	1420010140	O-RING	1	EA		
50	1501750003	PLUG	1	EA		
50	1420010140	O-RING	1	EA		
54	1515010041	ELBOW	2	EA		
54	1420010140	O-RING	1	EA		

This page intentionally left blank

Item	Part No.	Name	Qty	Uom	Remarks	Serial Number
60	1711900076	CLAMP	1	EA		

HYDRAULIC PIPING & TANK PIPING (high flow) (with parking brake) 3

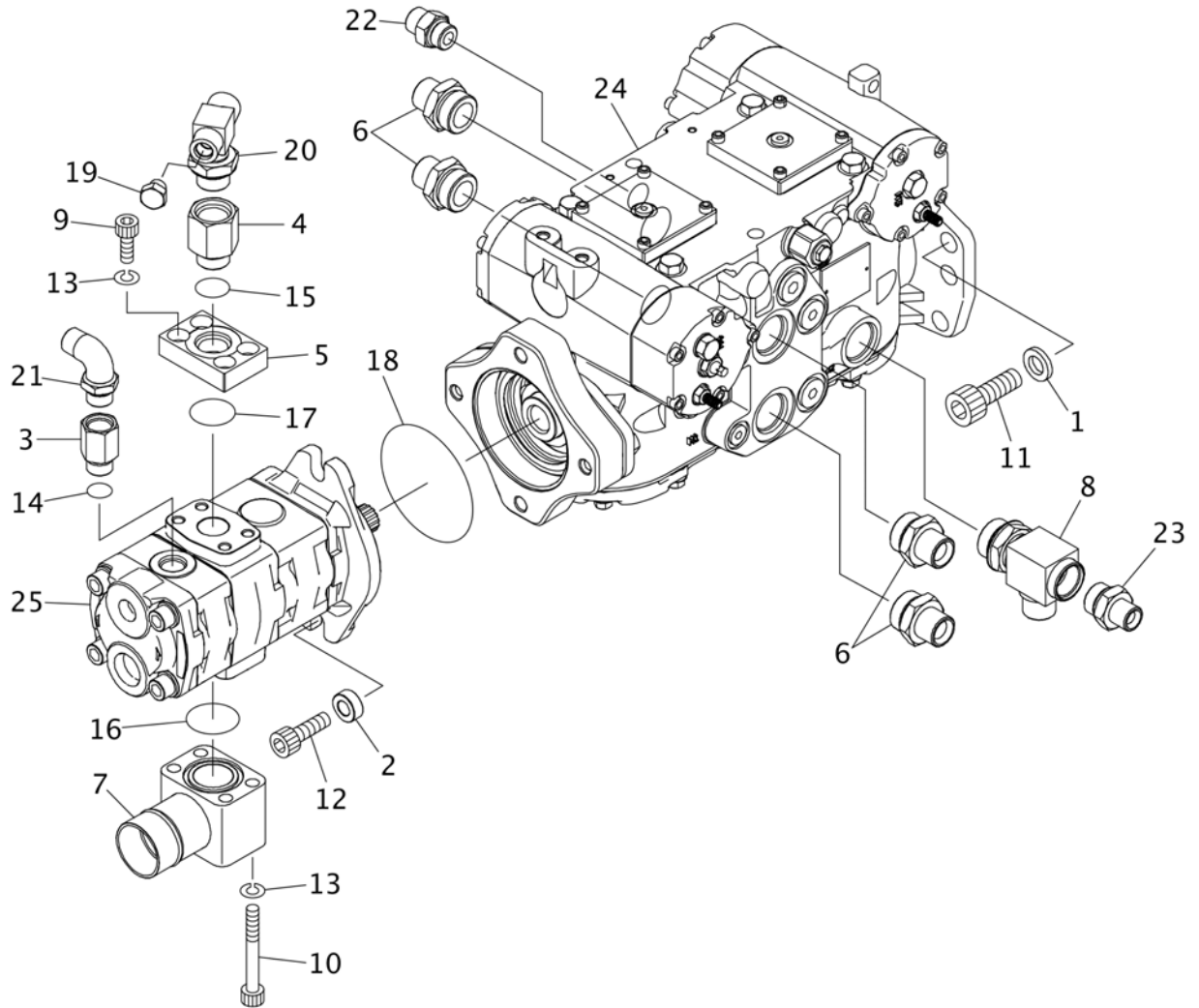


ROD190c

S=1/10

Item	Part No.	Name	Qty	Uom	Remarks	Serial Number
4	0697000008	HOSE ASSY	1	EA		
5	0697000009	HOSE ASSY	1	EA		
6	0697000011	HOSE ASSY	1	EA		
7	0697000012	HOSE ASSY	1	EA		
9	0697000014	HOSE ASSY	1	EA	18010-52060	
10	0697000015	HOSE ASSY	1	EA	18010-52138	
11	0697000016	HOSE ASSY	1	EA	18010-91072	
12	0697000017	HOSE ASSY	1	EA	18010-91050	
13	0697000018	HOSE ASSY	1	EA	18010-24054	
19	0697000034	HOSE ASSY	1	EA	18010-52070	
20	0697000035	HOSE ASSY	1	EA	18010-52102	
21	0697000036	HOSE ASSY	1	EA	18010-22050	
22	0697000037	HOSE ASSY	1	EA	18010-22036	
53	1515012040	ELBOW	1	EA		
53	1420010110	O-RING	1	EA		
55	1515100112	ELBOW	1	EA		
55	1420010180	O-RING	1	EA		
58	1652231250	BAND (1st aux. Proportion)	2	EA		

HYDRAULIC PIPING & TANK PUMP DRIVE

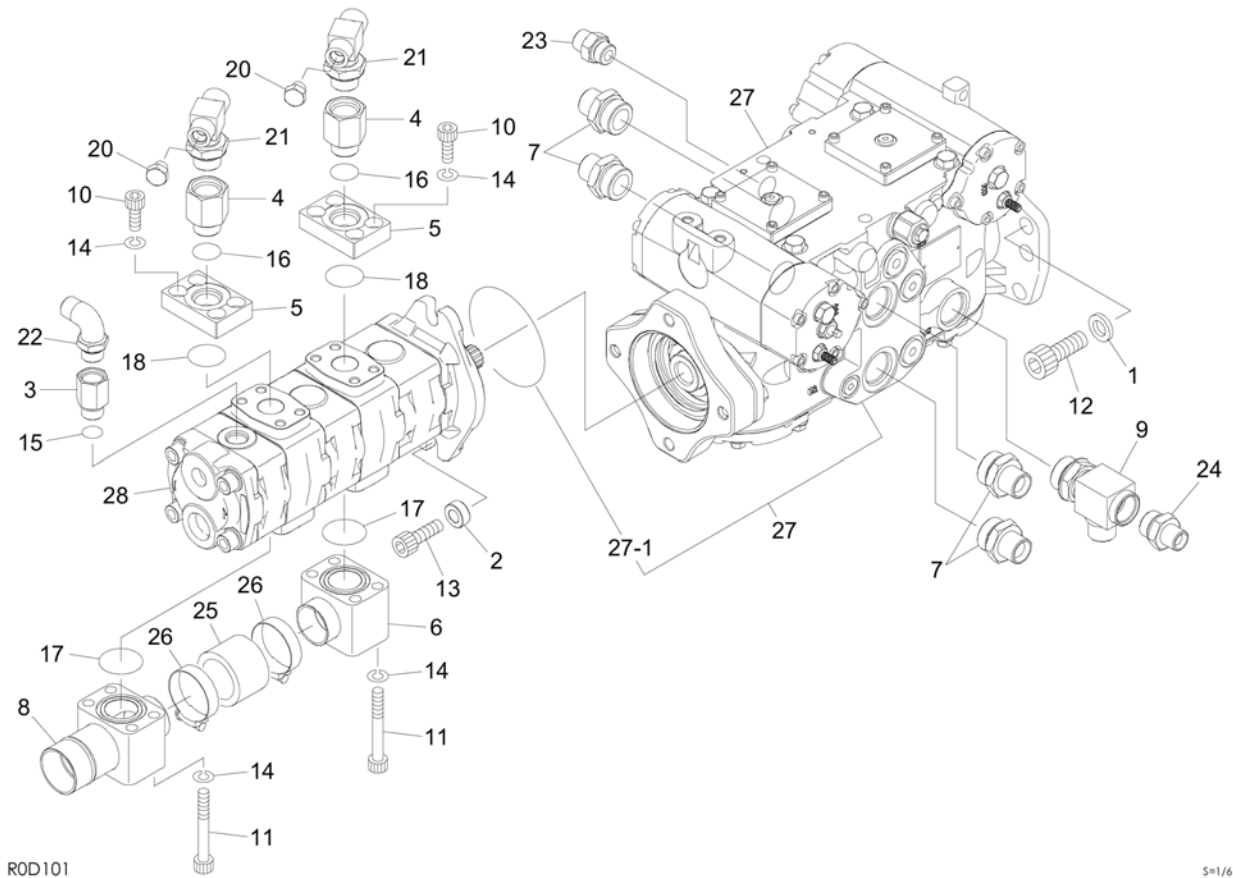


ROD090

S=1/

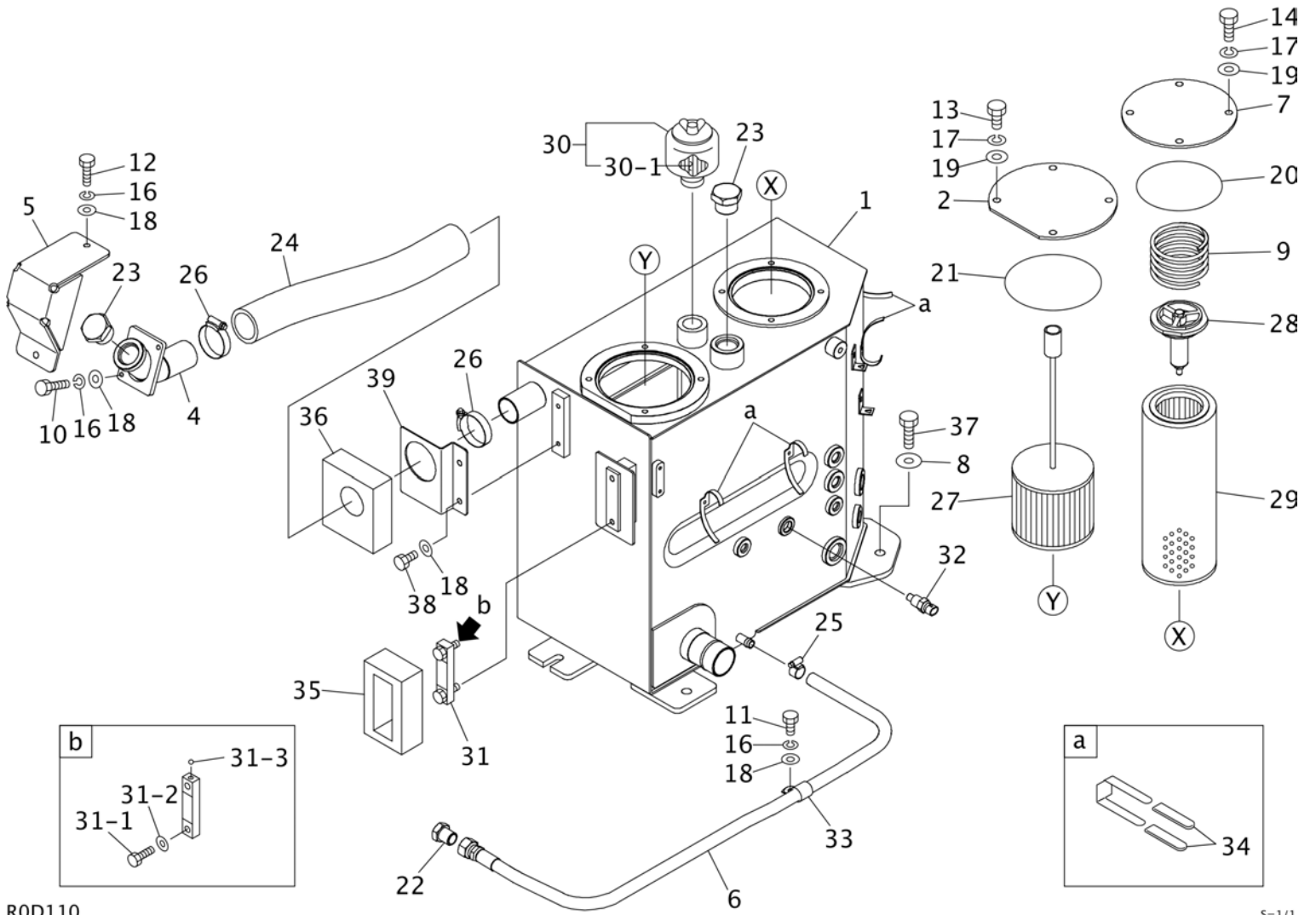
Item	Part No.	Name	Qty	Uom	Remarks	Serial Number
-	PNNA	PUMP ASSY		EA		
1	0003900075	WASHER	4	EA		
2	0003900095	WASHER	2	EA		
3	0007213010	CONNECTOR	1	EA		
4	0007213034	BUSHING	1	EA		
5	0007253002	FLANGE	1	EA		
6	0685200080	ADAPTOR	4	EA		
6	1420310916	O-RING	1	EA		
7	0695200011	FLANGE	1	EA		
8	0881520700	TEE	1	EA		
8	1420310916	O-RING	1	EA		
9	1110051025	SCREW, cap (10TM10 X 25 P/1.5)	4	EA		
10	1110041080	SCREW, cap	4	EA		
11	1111041645	SCREW, cap	4	EA		
12	1112041240	SCREW, cap	2	EA		
13	1140420010	WASHER, spring	8	EA		
14	1420010180	O-RING	1	EA		
15	1420010240	O-RING	1	EA		
16	1420100400	O-RING	1	EA		
17	1420110350	O-RING	1	EA		
18	1420310155	O-RING	1	EA		
19	1501750002	PLUG (FOR O-RING USE # 1420010110)	1	EA		
19	1420010110	O-RING	1	EA		
20	1512350005	ELBOW	1	EA		
20	1420010240	O-RING	1	EA		
21	1515012042	ELBOW	1	EA		
21	1420010180	O-RING	1	EA		
22	1515600212	ADAPTOR	1	EA		
22	1420310910	O-RING	1	EA		
23	1515600578	ADAPTOR	1	EA		
23	1420010240	O-RING	1	EA		
24	1902030600	PUMP, hydraulic	1	EA		
25	1902030700	PUMP, gear	1	EA		

HYDRAULIC PIPING & TANK PUMP DRIVE (high flow)



Item	Part No.	Name	Qty	Uom	Remarks	Serial Number
-	PNNA	PUMP ASSY		EA		
1	0003900075	WASHER	4	EA		
2	0003900095	WASHER	2	EA		
3	0007213010	CONNECTOR	1	EA		
4	0007213034	BUSHING	2	EA		
5	0007253002	FLANGE	2	EA		
6	0007253003	FLANGE	1	EA		
7	0685200080	ADAPTOR	4	EA		
7	1420310916	O-RING	1	EA		
8	0695200006	FLANGE	1	EA		
9	0881520700	TEE	1	EA		
9	1420310916	O-RING	1	EA		
10	1110051025	SCREW, cap (10TM10 X 25 P/1.5)	8	EA		
11	1110041080	SCREW, cap	8	EA		
12	1111041645	SCREW, cap	4	EA		
13	1112041240	SCREW, cap	2	EA		
14	1140420010	WASHER, spring	16	EA		
15	1420010180	O-RING	1	EA		
16	1420010240	O-RING	2	EA		
17	1420100400	O-RING	2	EA		
18	1420110350	O-RING	2	EA		
20	1501750002	PLUG (FOR O-RING USE # 1420010110)	2	EA		
20	1420010110	O-RING	1	EA		
21	1512350005	ELBOW	2	EA		
21	1420010240	O-RING	1	EA		
22	1515012042	ELBOW	1	EA		
22	1420010180	O-RING	1	EA		
23	1515600212	ADAPTOR	1	EA		
23	1420310910	O-RING	1	EA		
24	1515600578	ADAPTOR	1	EA		
24	1420010240	O-RING	1	EA		
25	1530741004	HOSE	1	EA	sold by the meter	
26	1533700060	BAND	2	EA		
27	1902030600	PUMP, hydraulic	1	EA		
27-1	1420300155	O-RING	1	EA		
28	1902030800	PUMP, gear (HIGH FLOW)	1	EA		

HYDRAULIC PIPING & TANK HYDRAULIC TANK



ROD110

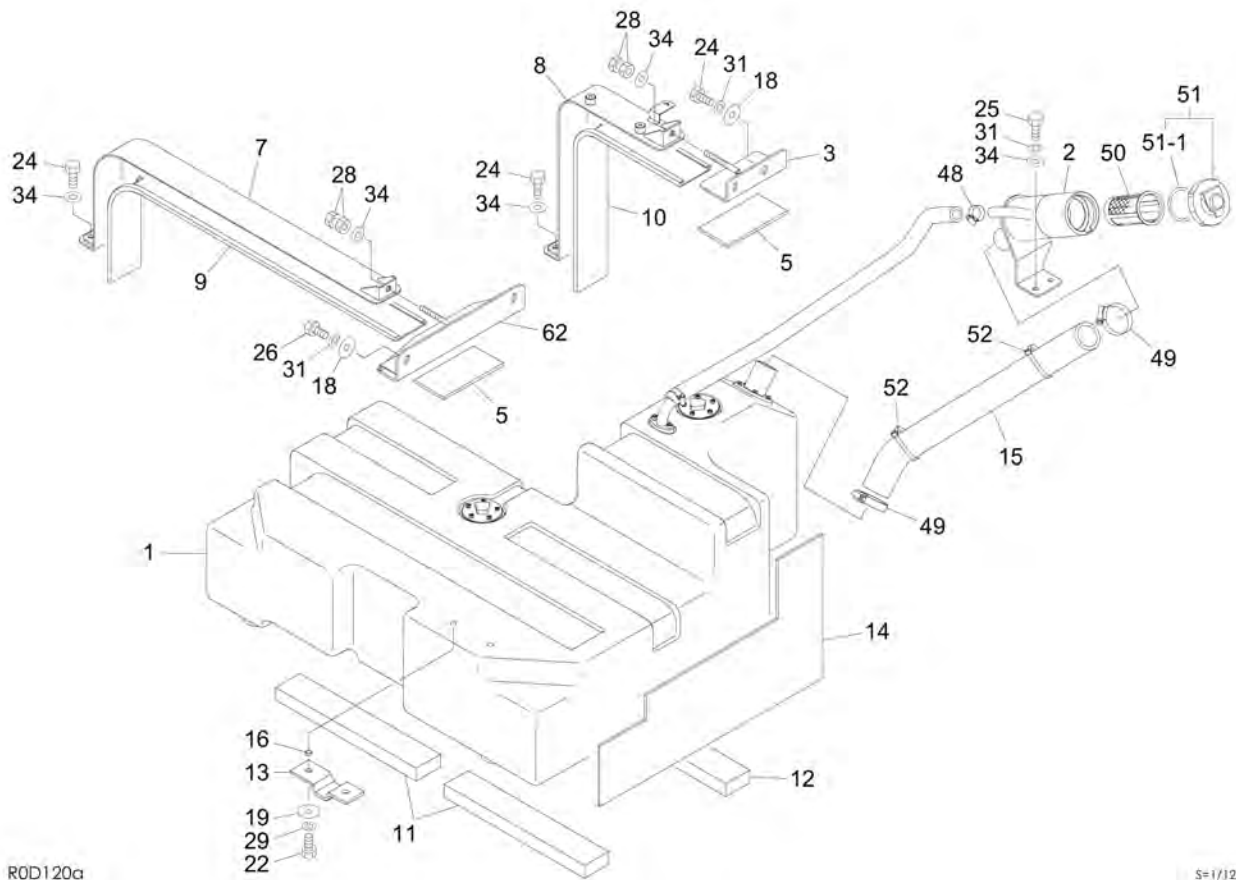
S=1/1

Item	Part No.	Name	Qty	Uom	Remarks	Serial Number
-	PNNA	TANK ASSY, fuel		EA		
1	0698000035	TANK, hydraulic	1	EA		
2	0688000017	COVER	1	EA		
4	0698000021	PIPE ASSY	1	EA		
5	0698000055	COVER	1	EA		
6	0698000029	HOSE ASSY	1	EA		
7	0688000020	COVER	1	EA		
8	0003600025	WASHER	4	EA		
9	0007000031	SPRING	1	EA		
10	1100020825	BOLT	2	EA		
11	1100090816	BOLT	1	EA		
12	1100050820	BOLT (10TM8 X 20 P/1.25)	2	EA		
13	1100051016	BOLT	4	EA		
14	1100051020	BOLT (10TM10 X 20 P/1.5)	4	EA		
16	1140020008	WASHER, spring	5	EA		
17	1140020010	WASHER, spring	8	EA		
18	1141110008	WASHER	7	EA		
19	1141110010	WASHER, plain	8	EA		
20	1420111250	O-RING (G-125)	1	EA		
21	1420101450	O-RING (G-145 1A)	1	EA		
22	1513940004	PLUG	1	EA		
23	1501750010	PLUG	2	EA		
23	1420010290	O-RING	1	EA		
24	1530541046	HOSE (UPPER) (FOR HYDRAULIC TANK)	1	EA	sold by the meter	
25	1533700025	CLAMP	1	EA		
26	1533700060	BAND	2	EA		
27	1550216365	FILTER	1	EA		
28	1551100300	VALVE	1	EA		
29	1551103900	FILTER (HYDRAULIC)	1	EA		
30	1552000800	CAP ASSY. BREATHER	1	EA		
30-1	1552000830	ELEMENT (HYDRAULIC BREATHER)	1	EA		
31	1553020685	GAUGE	1	EA		
31-1	1553021650	BOLT	2	EA		
31-2	1553022650	GASKET	2	EA		
31-3	1553020603	FLOAT	1	EA		
32	1700100119	SENSOR, temperature	1	EA		
33	1711900127	CLAMP	1	EA		
34	0872433150	TUBE	8	EA		

This page intentionally left blank

Item	Part No.	Name	Qty	Uom	Remarks	Serial Number
35	0698000045	SPONGE	1	EA		
36	0698000049	SPONGE	1	EA		
37	1100051025	BOLT (10TM10 X 25 P/1.5)	4	EA		
38	1100050812	BOLT (10TM8 X 12 P/1.25)	2	EA		
39	0698000060	BRACKET	1	EA		

HYDRAULIC PIPING & TANK FUEL TANK & FUEL PIPING (1/2) 1



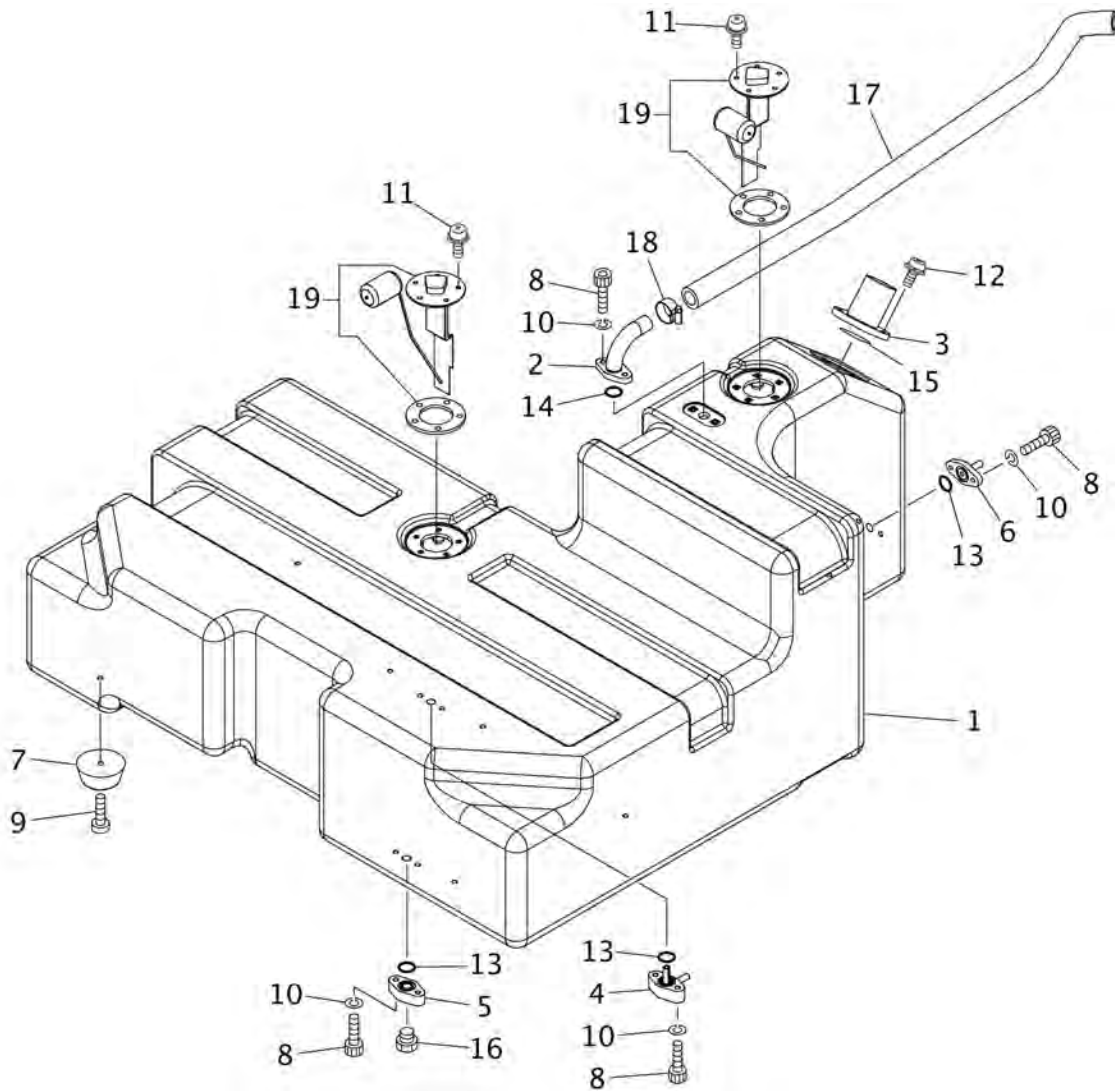
ROD120a

S=1/12

Item	Part No.	Name	Qty	Uom	Remarks	Serial Number
-	PNNA	TANK ASSY, fuel		EA		
1	*****	TANK SUB ASSY, fuel	1	EA	see page (2/2)	
2	0698100014	PORT, supply	1	EA		
3	0698100019	PLATE	1	EA		
5	0698100022	RUBBER	2	EA		
7	0698100054	CLAMP	1	EA		
8	0698100058	PLATE	1	EA		
9	0698100034	RUBBER	1	EA		
10	0698100035	RUBBER	1	EA		
11	0698100036	RUBBER	2	EA		
12	0698100037	RUBBER	1	EA		
13	0698100038	BAND	1	EA		
14	0698100039	RUBBER	1	EA		
15	0698100040	HOSE	1	EA		
16	0881711360	COLLAR	2	EA		
18	0003600025	WASHER	4	EA		
19	0003600043	WASHER	2	EA		
22	1100050620	BOLT (10TM6 X 20 P/1.0)	2	EA		
24	1100041020	BOLT	6	EA		
25	1100051025	BOLT (10TM10 X 25 P/1.5)	2	EA		
26	1100051030	BOLT	4	EA		
28	1130240010	NUT	4	EA		
29	1140020006	WASHER, spring	4	EA		
31	1140020010	WASHER, spring	10	EA		
34	1141110010	WASHER, plain	12	EA		
48	1533700035	BAND	1	EA		
49	1533700060	BAND	2	EA		
50	1552100320	STRAINER	1	EA		
51	1552101200	CAP (FUEL)	1	EA		
51-1	1552101207	PACKING	1	EA		
52	1652231250	BAND (1st aux. Proportion)	3	EA		
62	0698100051	PLATE	1	EA		

Item	Part No.	Name	Qty	Uom	Remarks	Serial Number
21	1100050625	BOLT (10TM6 X 25 P/1.00)	2	EA		
23	1100050865	BOLT (10TM8 X 65 P/1.25)	1	EA		
26	1100051030	BOLT	4	EA		
27	1100051035	BOLT (10TM10 X 35 P/1.5)	2	EA		
29	1140020006	WASHER, spring	4	EA		
30	1140020008	WASHER, spring	1	EA		
31	1140020010	WASHER, spring	10	EA		
33	1141110006	WASHER	2	EA		
34	1141110010	WASHER, plain	12	EA		
35	1531115000	HOSE, vinyl (SOLD BY THE METER)	1	EA	sold by the meter	
37	1531115000	HOSE, vinyl (SOLD BY THE METER)	1	EA	sold by the meter	
38	1531115000	HOSE, vinyl (SOLD BY THE METER)	2	EA	sold by the meter	
39	1531115000	HOSE, vinyl (SOLD BY THE METER)	2	EA	sold by the meter	
40	1531115000	HOSE, vinyl (SOLD BY THE METER)	1	EA	sold by the meter	
42	1531207000	HOSE, fuel (SOLD BY THE METER)	1	EA	sold by the meter	
43	1531207000	HOSE, fuel (SOLD BY THE METER)	1	EA	sold by the meter	
44	1531207000	HOSE, fuel (SOLD BY THE METER)	1	EA	sold by the meter	
45	1531207000	HOSE, fuel (SOLD BY THE METER)	1	EA	sold by the meter	
46	1531207000	HOSE, fuel (SOLD BY THE METER)	1	EA	sold by the meter	
47	1533120511	BAND	12	EA		
52	1652231250	BAND (1st aux. Proportion)	3	EA		
53	K1G938-52033	PUMP, feed	1	EA	19102-49034	
54	K16541-95790	BOLT, joint	2	EA	19102-83052	
55	K15401-95690	JOINT, fuel	4	EA	19102-83053	
56	K17105-33680	GASKET (VO ZB)	8	EA	19102-83054	
57	K15021-33660	GASKET	2	EA	19102-83056	
58	K1G518-43011	FILTER ASSY, fuel	1	EA	19102-91030	
59	KRD451-51360	FILTER,ASSY(W,SEPARATOR)	1	EA	19102-91033	
60	K1J301-43010	ELEMENT, FUEL FILTER	1	EA	19102-91031	
61	K14117-42560	PIPE, fuel	1	EA	19102-91051	
63	*****	TUBE ASSY	1	EA	see engine parts Fig. 52	
64	*****	TUBE ASSY	1	EA	see engine parts Fig. 52	412000006~412000398
64	1531207005	HOSE	1	EA		412000399~
65	0882502140	PIPE	2	EA		

HYDRAULIC PIPING & TANK FUEL TANK & FUEL PIPING (2/2)

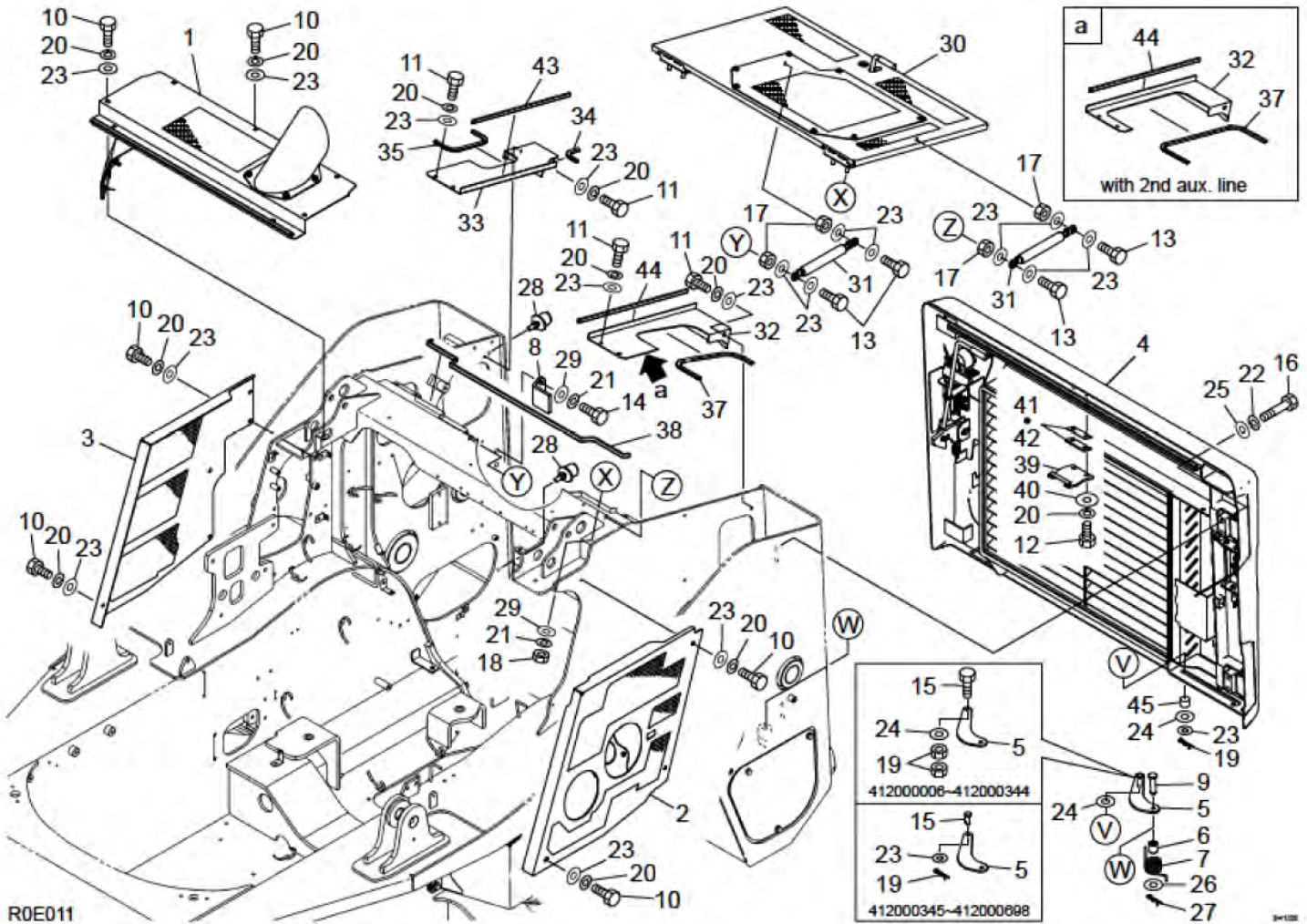


ROD130

S=1/1

Item	Part No.	Name	Qty	Uom	Remarks	Serial Number
0-1	*****	TANK SUB ASSY, fuel	1	EA		
1	0698100008	TANK ASSY	1	EA		
2	0698102120	FLANGE	1	EA		
3	0881811090	FLANGE	1	EA		
4	0881811100	FLANGE	1	EA		
5	0881811110	VALVE, drain	1	EA		
6	0348103450	FLANGE	1	EA		
7	0881812080	RUBBER, cushion	7	EA		
8	1110050616	SCREW, cap	8	EA		
9	1120530620	SCREW (PHILLIPS 4TM6 X 20 P/1.0 PAN)	7	EA		
10	1140020006	WASHER, spring	8	EA		
11	1150110510	SCREW	10	EA		
12	1150110516	SCREW	5	EA		
13	1420010180	O-RING	3	EA		
14	1420010200	O-RING	1	EA		
15	1420010450	O-RING (P-45)	1	EA		
16	1515630002	PLUG	1	EA		
17	1530619084	HOSE	1	EA	sold by the meter	
18	1533700035	BAND	1	EA		
19	1553203100	UNIT, gauge	2	EA		

COVER & CAB COVER (1/4)

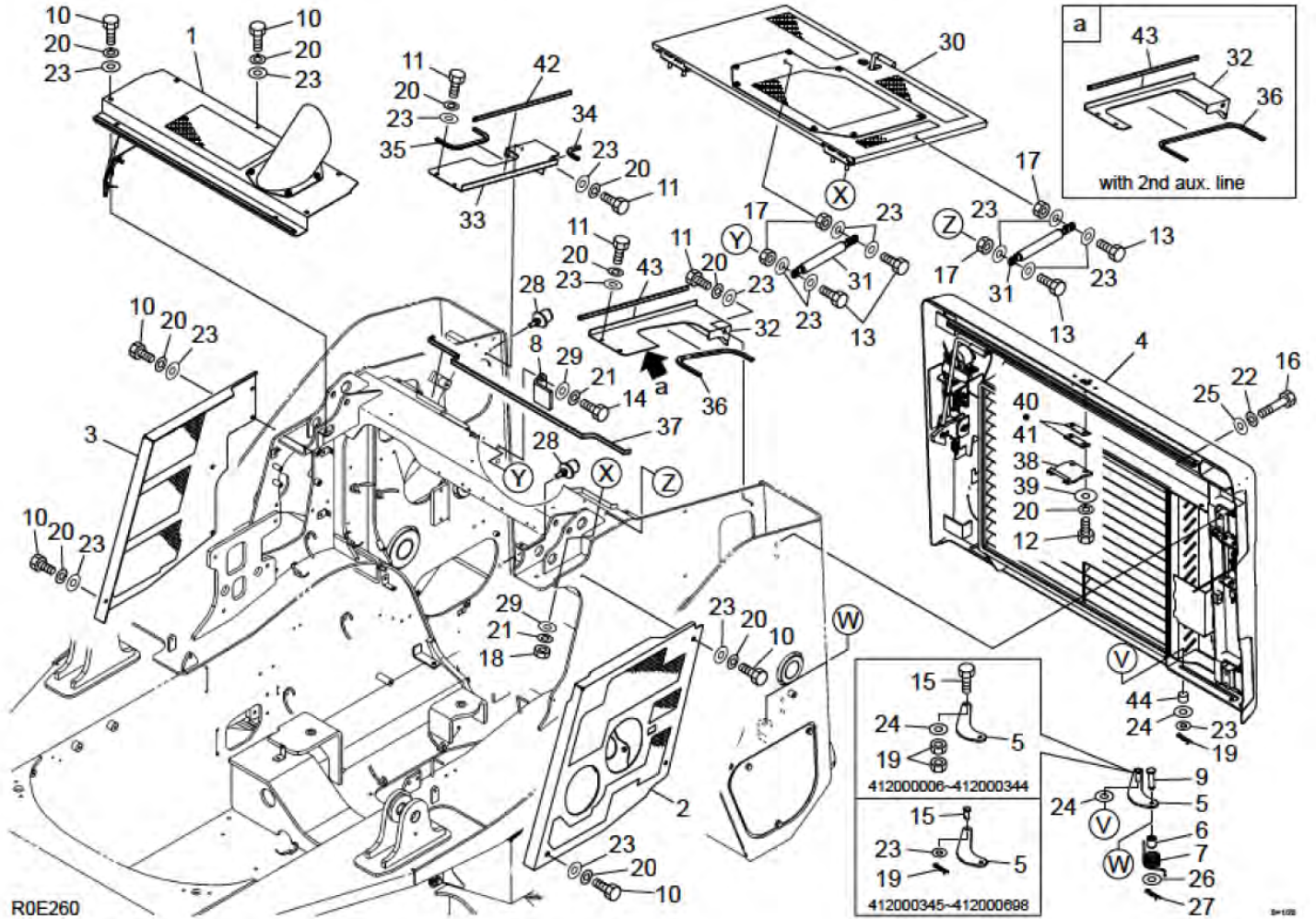


Item	Part No.	Name	Qty	Uom	Remarks	Serial Number
-	PNNA	COVER ASSY (canopy)		EA		
-	PNNA	COVER ASSY (cab)		EA		
-	PNNA	COVER ASSY (with 2nd aux. line)		EA		
1	0698200094	COVER ASSY, center	1	EA	see page (2/4)	
2	0698200293	COVER, side (L.H.)	1	EA		
3	0698200282	COVER, side (R.H.)	1	EA		
4	0698200268	DOOR ASSY, rear	1	EA	see page (3/4)	
5	0698200308	PLATE	1	EA	A, SUBS TO: 0698200348 BUT ALSO NEED TO REPLACE IT TOGETHER WITH THE FOLLOWING (3) ITEMS: (1) 1214000008; (2) 1141210012; (1) 1314000812	412000006~412000698
5	0698200348	PLATE, lock	1	EA	a	412000699~
6	0688200070	COLLAR	1	EA		
7	0698200134	SPRING ASSY	1	EA		
8	0698200132	PLATE	1	EA		
9	0688200071	PIN	1	EA		
10	1100090816	BOLT	13	EA		
11	1100050820	BOLT (10TM8 X 20 P/1.25)	6	EA		
12	1100050830	BOLT (10TM8 X 30 P/1.25)	2	EA		
13	1100050835	BOLT (10TM8 X 35 P/1.25)	4	EA		
14	1100051030	BOLT	2	EA		
15	1101051240	BOLT (10TM12 X 40 P/1.5)	1	EA		412000006~412000344
15	0004000009	PIN	1	EA		412000345~412000698
16	1101041265	BOLT	4	EA		
17	1130140008	NUT (polycarbonate type)	4	EA		
18	1130240010	NUT	4	EA		
19	1130550012	NUT (8TM12 P/1.5)	2	EA		412000006~412000344
19	1214000012	PIN, snap	1	EA		412000345~412000698
19	1214000008	PIN, snap	1	EA	a	412000699~
20	1140020008	WASHER, spring	21	EA		
21	1140020010	WASHER, spring	6	EA		
22	1140020012	WASHER, spring (12MM)	4	EA		
23	1141110008	WASHER	26	EA		
24	1141110012	WASHER	2	EA	a	
25	1141550012	WASHER	4	EA		
26	1141810012	WASHER	1	EA		
27	1214000010	PIN, snap	1	EA		
28	1651101050	STOPPER	2	EA		

This page intentionally left blank

Item	Part No.	Name	Qty	Uom	Remarks	Serial Number
29	0003600025	WASHER	6	EA		
30	0698200289	HOOD ASSY, engine	1	EA	see page (4/4)	
31	1653900021	SPRING, gas	2	EA		
32	0698200325	PLATE (L.H.)	1	EA		
32	0698200323	PLATE (L.H.)	1	EA	with 2nd aux. line	
33	0698200321	PLATE (R.H.)	1	EA		
34	1653916009	TRIM	1	EA	sold by the meter	
35	1653916027	TRIM	1	EA	sold by the meter	
37	1653916039	TRIM	1	EA	sold by the meter	
37	1653916055	TRIM (with 2nd aux. line)	1	EA	sold by the meter	
38	1653916094	TRIM	1	EA	sold by the meter	
39	0698200300	STRIKER	1	EA		
40	0003608252	WASHER	2	EA		
41	0003900037	SPACER (T=4.5MM)	1	EA	t=4.5mm	
42	0003900038	SPACER (T=1.6MM)	1	EA	t=1.6mm	
43	1654606000	SEAL (SOLD BY THE METER)	1	EA	sold by the meter	
44	1654606000	SEAL (SOLD BY THE METER)	1	EA	sold by the meter	
45	1314000812	BEARING	1	EA	a	412000699~
-	PNNA	A" is interchangeable with SET "a".		EA		

COVER & CAB COVER (1/4) (with rear view camera)

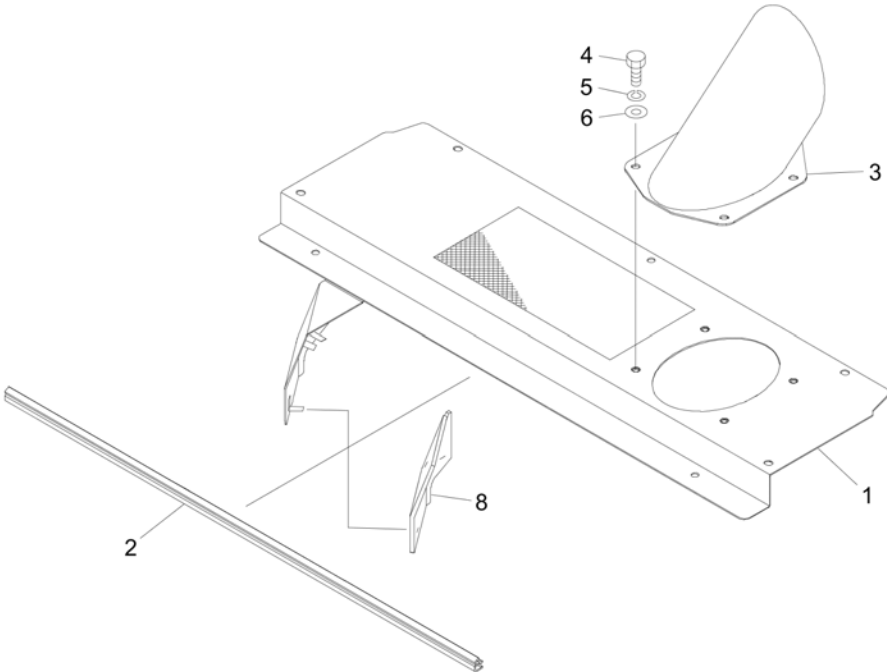


Item	Part No.	Name	Qty	Uom	Remarks	Serial Number
-	PNNA	COVER ASSY (canopy)		EA		
-	PNNA	COVER ASSY (cab)		EA		
-	PNNA	COVER ASSY (with 2nd aux. line)		EA		
1	0698200094	COVER ASSY, center	1	EA	see page (2/4)	
2	0698200293	COVER, side (L.H.)	1	EA		
3	0698200282	COVER, side (R.H.)	1	EA		
4	0698200258	DOOR ASSY, rear (with the rear view camera)	1	EA	see page (3/4)	
5	0698200308	PLATE	1	EA	A, SUBS TO: 0698200348 BUT ALSO NEED TO REPLACE IT TOGETHER WITH THE FOLLOWING (3) ITEMS: (1) 1214000008; (2) 1141210012; (1) 1314000812	412000006~412000698
5	0698200348	PLATE, lock	1	EA	a	412000699~
6	0688200070	COLLAR	1	EA		
7	0698200134	SPRING ASSY	1	EA		
8	0698200132	PLATE	1	EA		
9	0688200071	PIN	1	EA		
10	1100090816	BOLT	13	EA		
11	1100050820	BOLT (10TM8 X 20 P/1.25)	6	EA		
12	1100050830	BOLT (10TM8 X 30 P/1.25)	2	EA		
13	1100050835	BOLT (10TM8 X 35 P/1.25)	4	EA		
14	1100051030	BOLT	2	EA		
15	1101051240	BOLT (10TM12 X 40 P/1.5)	1	EA		412000006~412000344
15	0004000009	PIN	1	EA		412000345~412000698
16	1101041265	BOLT	4	EA		
17	1130140008	NUT (polycarbonate type)	4	EA		
18	1130240010	NUT	4	EA		
19	1130550012	NUT (8TM12 P/1.5)	2	EA		412000006~412000344
19	1214000012	PIN, snap	1	EA		412000345~412000698
19	1214000008	PIN, snap	1	EA	a	412000699~
20	1140020008	WASHER, spring	21	EA		
21	1140020010	WASHER, spring	6	EA		
22	1140020012	WASHER, spring (12MM)	4	EA		
23	1141110008	WASHER	26	EA		
24	1141110012	WASHER	2	EA	a	
25	1141550012	WASHER	4	EA		
26	1141810012	WASHER	1	EA		
27	1214000010	PIN, snap	1	EA		
28	1651101050	STOPPER	2	EA		

This page intentionally left blank

Item	Part No.	Name	Qty	Uom	Remarks	Serial Number
29	0003600025	WASHER	6	EA		
30	0698200289	HOOD ASSY, engine	1	EA	see page (4/4)	
31	1653900021	SPRING, gas	2	EA		
32	0698200325	PLATE (L.H.)	1	EA		
32	0698200323	PLATE (L.H.)	1	EA	with 2nd aux. line	
33	0698200321	PLATE (R.H.)	1	EA		
34	1653916009	TRIM	1	EA	sold by the meter	
35	1653916027	TRIM	1	EA	sold by the meter	
36	1653916039	TRIM	1	EA	sold by the meter	
36	1653916055	TRIM (with 2nd aux. line)	1	EA	sold by the meter	
37	1653916094	TRIM	1	EA	sold by the meter	
38	0698200300	STRIKER	1	EA		
39	0003608252	WASHER	2	EA		
40	0003900037	SPACER (T=4.5MM)	1	EA	t=4.5mm	
41	0003900038	SPACER (T=1.6MM)	1	EA	t=1.6mm	
42	1654606000	SEAL (SOLD BY THE METER)	1	EA	sold by the meter	
43	1654606000	SEAL (SOLD BY THE METER)	1	EA	sold by the meter	
44	1314000812	BEARING	1	EA	a	412000699~
-	PNNA	A" is interchangeable with SET "a".		EA		

COVER & CAB COVER (2/4) (center cover)

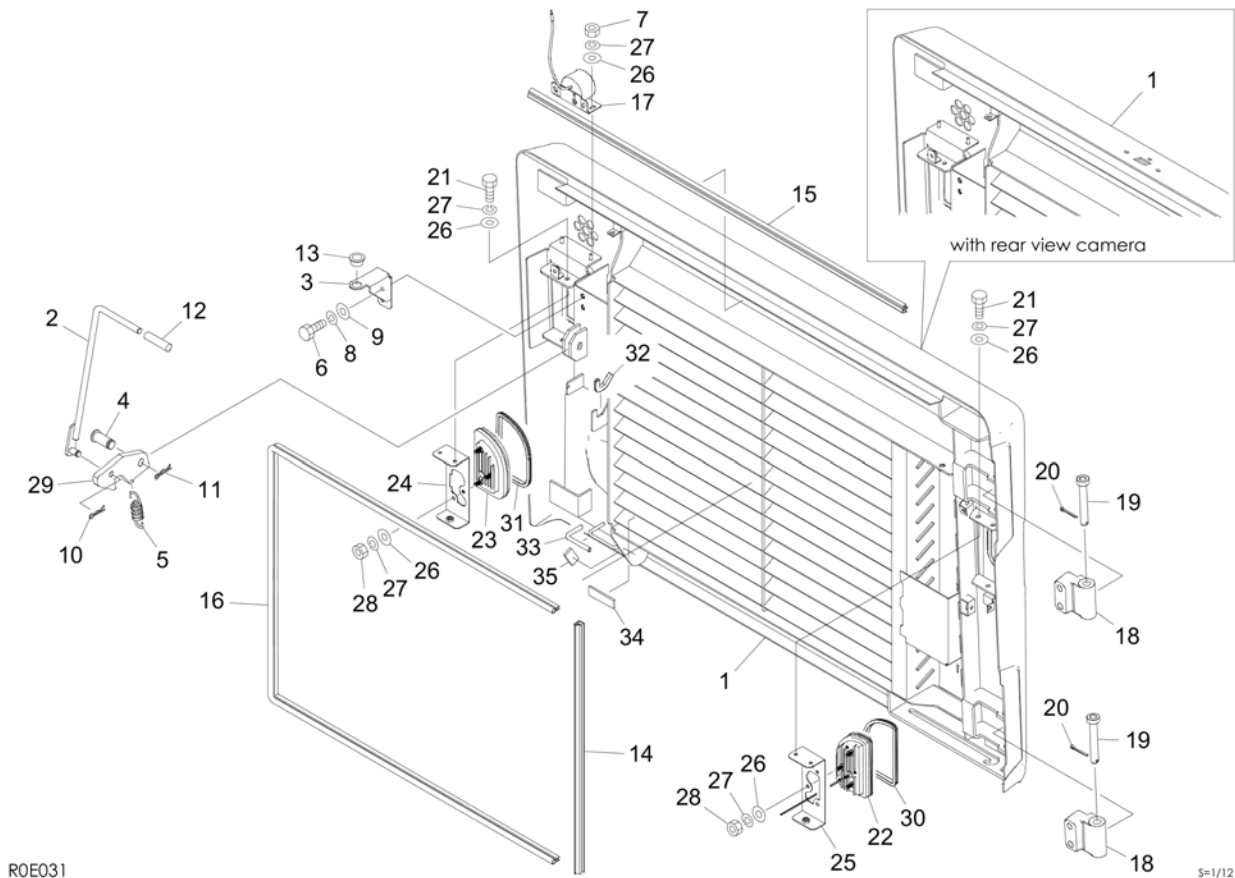


ROE021

S=1/8

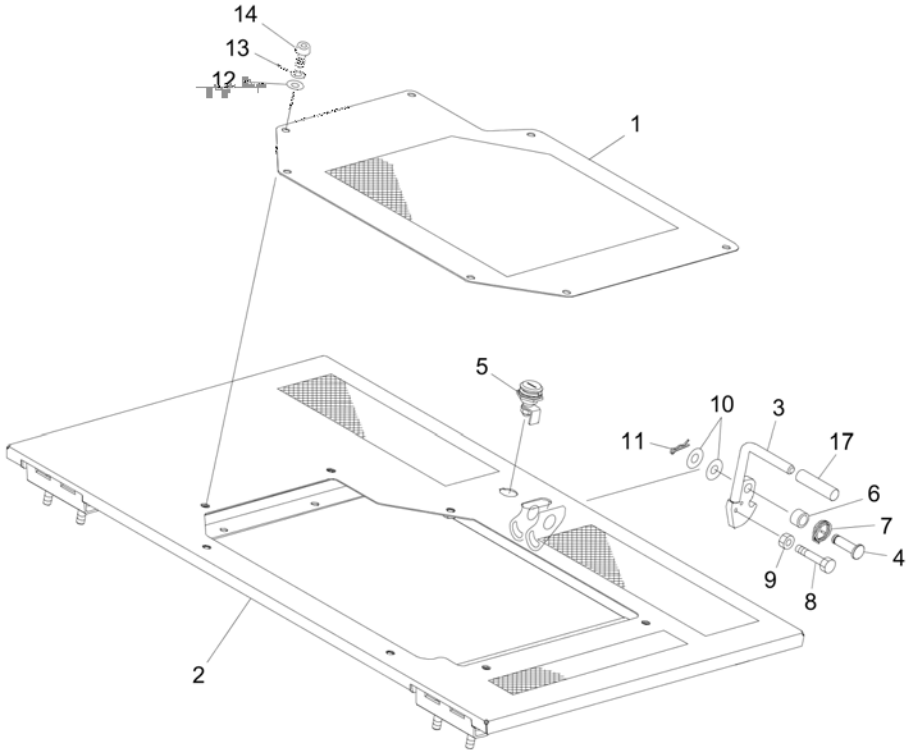
Item	Part No.	Name	Qty	Uom	Remarks	Serial Number
0-1	0698200094	COVER ASSY, center	1	EA		
1	0698200095	COVER	1	EA		
2	1654605000	STRIP, weather (SOLD BY THE METER)	1	EA	sold by the meter	
3	0698200296	COVER	1	EA		
4	1100090816	BOLT	4	EA		
5	1140020008	WASHER, spring	4	EA		
6	1141110008	WASHER	4	EA		
8	0698200307	INSULATOR	1	EA		

COVER & CAB COVER (3/4) (rear door)



Item	Part No.	Name	Qty	Uom	Remarks	Serial Number
0-4	0698200268	DOOR ASSY, rear	1	EA		
0-4	0698200258	DOOR ASSY, rear (with the rear view camera)	1	EA		
1	0698200270	DOOR, rear	1	EA		
2	0698200236	ROD ASSY	1	EA		
3	0698200223	PLATE	1	EA		
4	0004015002	PIN	1	EA		
5	0007000112	SPRING	1	EA		
6	1100050825	BOLT (10TM8 X 25 P/1.25)	2	EA		
7	1130040006	NUT	2	EA		
8	1140020008	WASHER, spring	2	EA		
9	1141110008	WASHER	2	EA		
10	1214000010	PIN, snap	1	EA		
11	1214000012	PIN, snap	1	EA		
12	1650202300	CAP	1	EA		
13	1652615200	BUSHING	1	EA		
14	1654605000	STRIP, weather (SOLD BY THE METER)	1	EA	sold by the meter	
15	1654605106	TRIM	1	EA	sold by the meter	
16	1654606000	SEAL (SOLD BY THE METER)	1	EA	sold by the meter	
17	1703700013	BUZZER	1	EA		
18	0698200261	HINGE	2	EA		
19	0698200240	PIN	2	EA		
20	1210010425	PIN, split	2	EA		
21	1100050620	BOLT (10TM6 X 20 P/1.0)	6	EA		
22	0694200139	DOOR LAMP ASSY (L.H.), rear	1	EA		
23	0694200140	DOOR LAMP ASSY (R.H.), rear	1	EA		
24	0698200256	PLATE (R.H.)	1	EA		
25	0698200246	PLATE (L.H.)	1	EA		
26	1141110006	WASHER	14	EA		
27	1140020006	WASHER, spring	14	EA		
28	1130020006	NUT	6	EA		
29	0698200222	PLATE	1	EA		
30	0694200183	GROMMET	1	EA		
31	0694200184	GROMMET	1	EA		
32	1653916006	TRIM	1	EA	sold by the meter	
33	1703210712	PROTECTOR	1	EA		
34	1654301007	SPONGE	1	EA	sold by the meter	
35	1654301004	SPONGE	1	EA	sold by the meter	

COVER & CAB COVER (4/4) (engine hood)

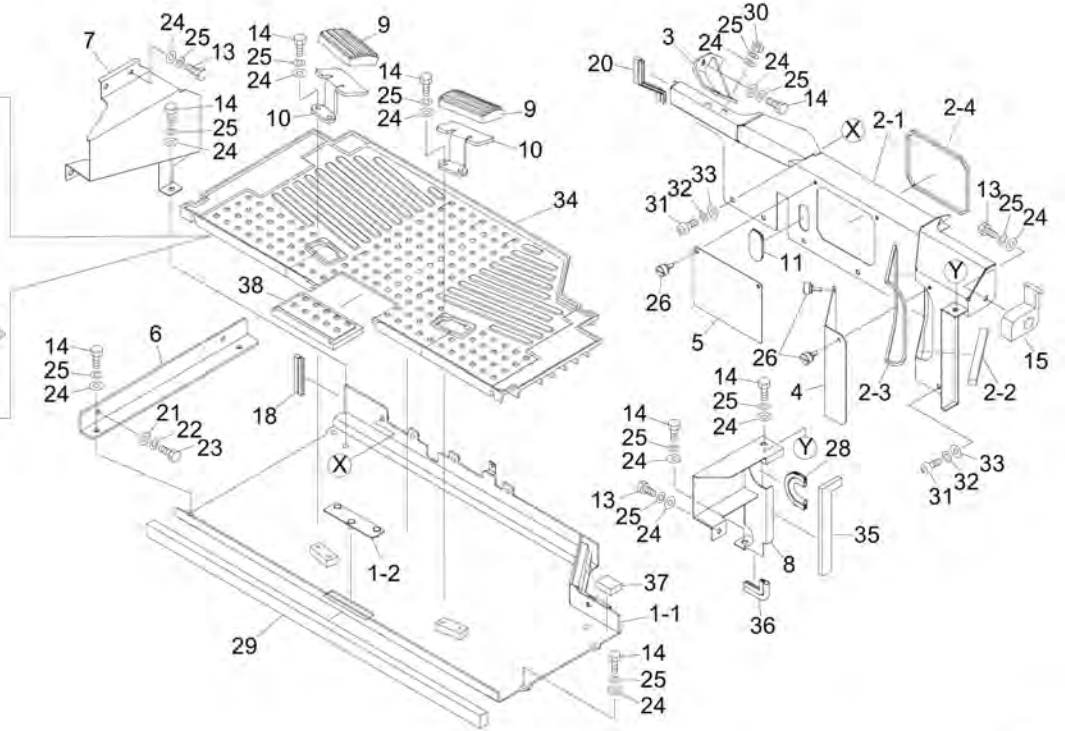
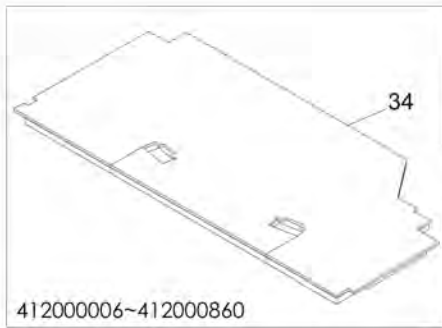


R1E050

S=1/8

Item	Part No.	Name	Qty	Uom	Remarks	Serial Number
0-28	0698200289	HOOD ASSY, engine	1	EA		
1	0688200142	PLATE	1	EA		
2	0698200272	HOOD, engine	1	EA		
3	0698200160	PLATE	1	EA		
4	0004012035	PIN	1	EA		
5	0378219160	LOCK ASSY	1	EA		
6	0553500337	COLLAR	1	EA		
7	0668200040	SPRING	1	EA		
8	1100240650	BOLT	1	EA		
9	1130020006	NUT	1	EA		
10	1141810012	WASHER	2	EA		
11	1214000010	PIN, snap	1	EA		
12	1141190008	WASHER	7	EA		
13	1140020008	WASHER, spring	7	EA		
14	1120990820	BOLT	7	EA		
17	1650202300	CAP	1	EA		

COVER & CAB FLOOR FRAME



ROE050-1

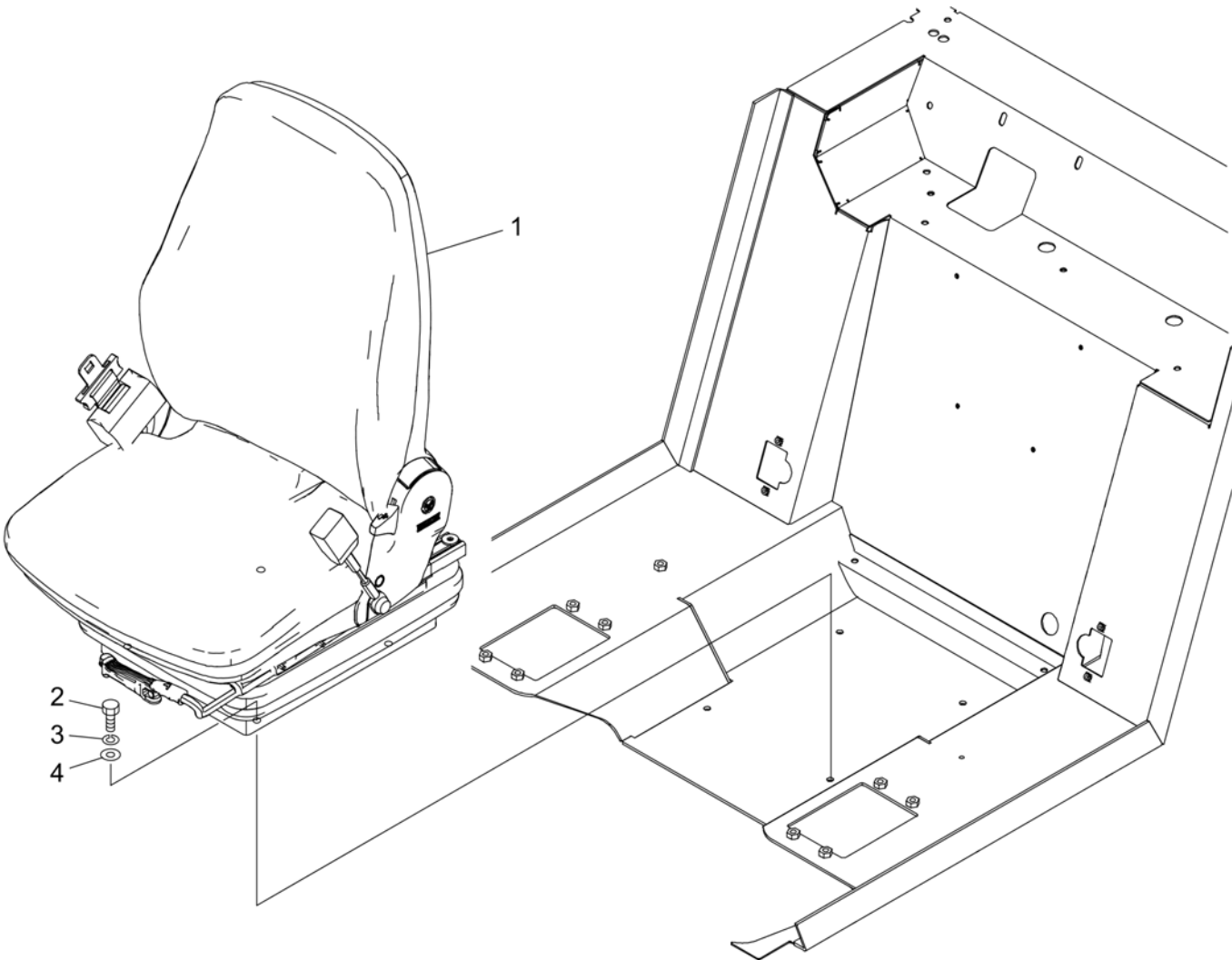
S=1/8

Item	Part No.	Name	Qty	Uom	Remarks	Serial Number
-	PNNA	FLOOR ASSY		EA		
1	*****	PLATE ASSY	1	EA		
1-1	0693500026	PLATE (FLOOR FRAME)	1	EA		
1-2	0693500090	COVER	1	EA		
2	*****	COVER ASSY	1	EA		
2-1	0693500034	COVER	1	EA		
2-2	1654358018	SPONGE	1	EA	sold by the meter	
2-3	0693500044	SPONGE	1	EA		
2-4	0693500048	SPONGE	1	EA		
3	0693500096	PLATE	1	EA		
4	0693500077	COVER	1	EA		
5	0693500076	COVER	1	EA		
6	0693500049	SUPPORT	1	EA		
7	0693500099	PLATE	1	EA		
8	0693500097	PLATE	1	EA		
9	0563218500	COVER	2	EA		
10	0563219700	REST, foot	2	EA		
11	0664300004	GROMMET	1	EA		
13	1100090816	BOLT	5	EA		
14	1100050820	BOLT (10TM8 X 20 P/1.25)	13	EA		
15	0693500102	SPONGE	1	EA		
18	1654606000	SEAL (SOLD BY THE METER)	1	EA	sold by the meter	
20	1654606000	SEAL (SOLD BY THE METER)	1	EA	sold by the meter	
21	1141110010	WASHER, plain	2	EA		
22	1140020010	WASHER, spring	2	EA		
23	1100051030	BOLT	2	EA		
24	1141110008	WASHER	20	EA		
25	1140020008	WASHER, spring	20	EA		
26	1652711696	CLIP	4	EA		
28	1654606000	SEAL (SOLD BY THE METER)	1	EA	sold by the meter	
29	0693500081	SPONGE	1	EA		
30	1130140008	NUT (polycarbonate type)	2	EA		
31	1120990820	BOLT	5	EA		
32	1140020008	WASHER, spring	5	EA		
33	1141190008	WASHER	5	EA		
34	0693500105	MAT, floor	1	EA		412000006~412000860
34	0693500113	MAT, floor	1	EA		412000861~
35	0693500108	SPONGE	1	EA		

This page intentionally left blank

Item	Part No.	Name	Qty	Uom	Remarks	Serial Number
36	1654606000	SEAL (SOLD BY THE METER)	1	EA	sold by the meter	
37	1654344004	SPONGE	1	EA	sold by the meter	
38	0881353080	MAT, floor	1	EA		412000861~

COVER & CAB SEAT (1/2)

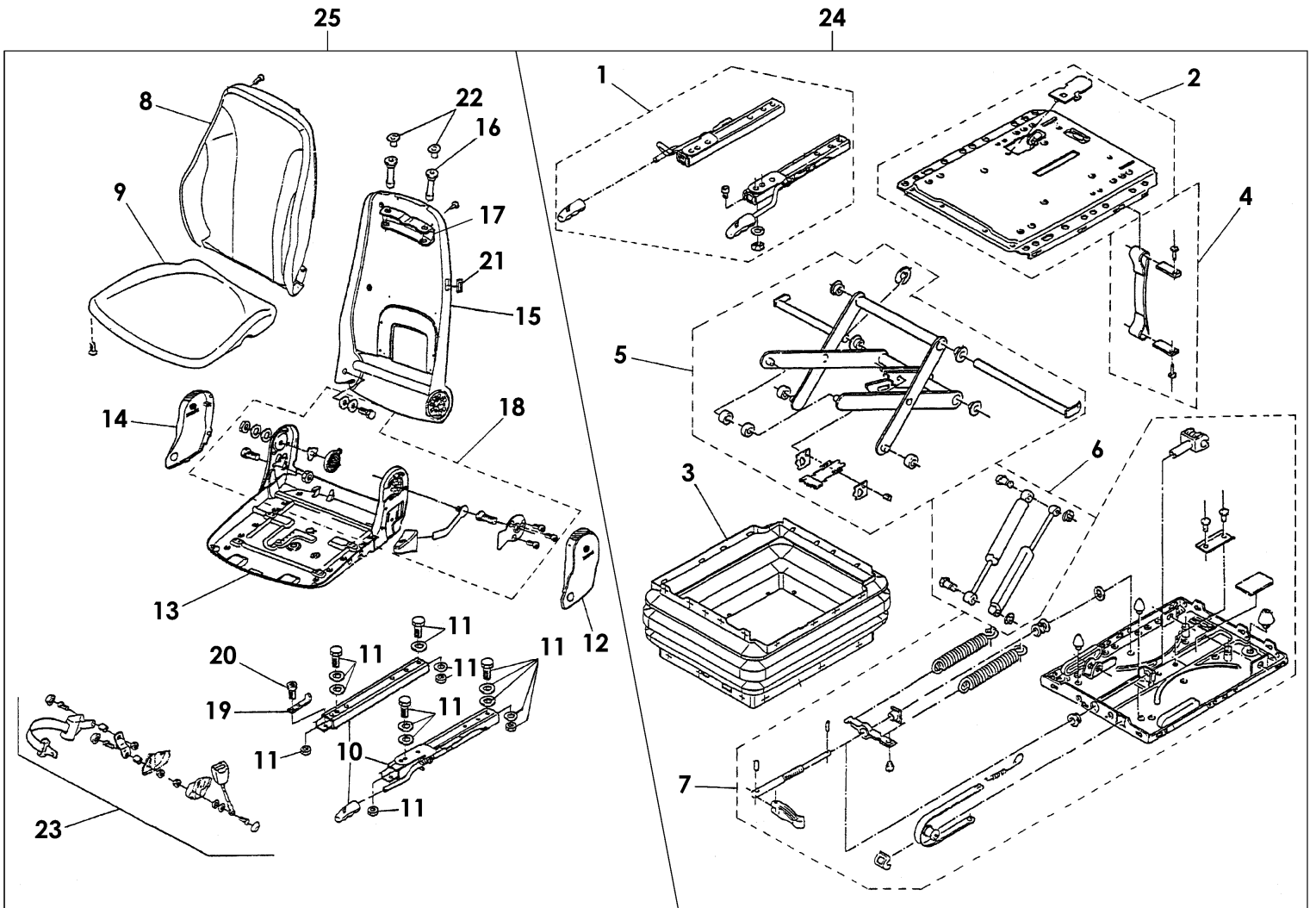


ROE060

S=1/10

Item	Part No.	Name	Qty	Uom	Remarks	Serial Number
-	PNNA	SEAT ASSY		EA		
1	1914100072	SEAT ASSY (CANOPY)	1	EA	see page (2/2)	
2	1100050820	BOLT (10TM8 X 20 P/1.25)	4	EA		
3	1140020008	WASHER, spring	4	EA		
4	1141110008	WASHER	4	EA		

COVER & CAB SEAT (2/2)

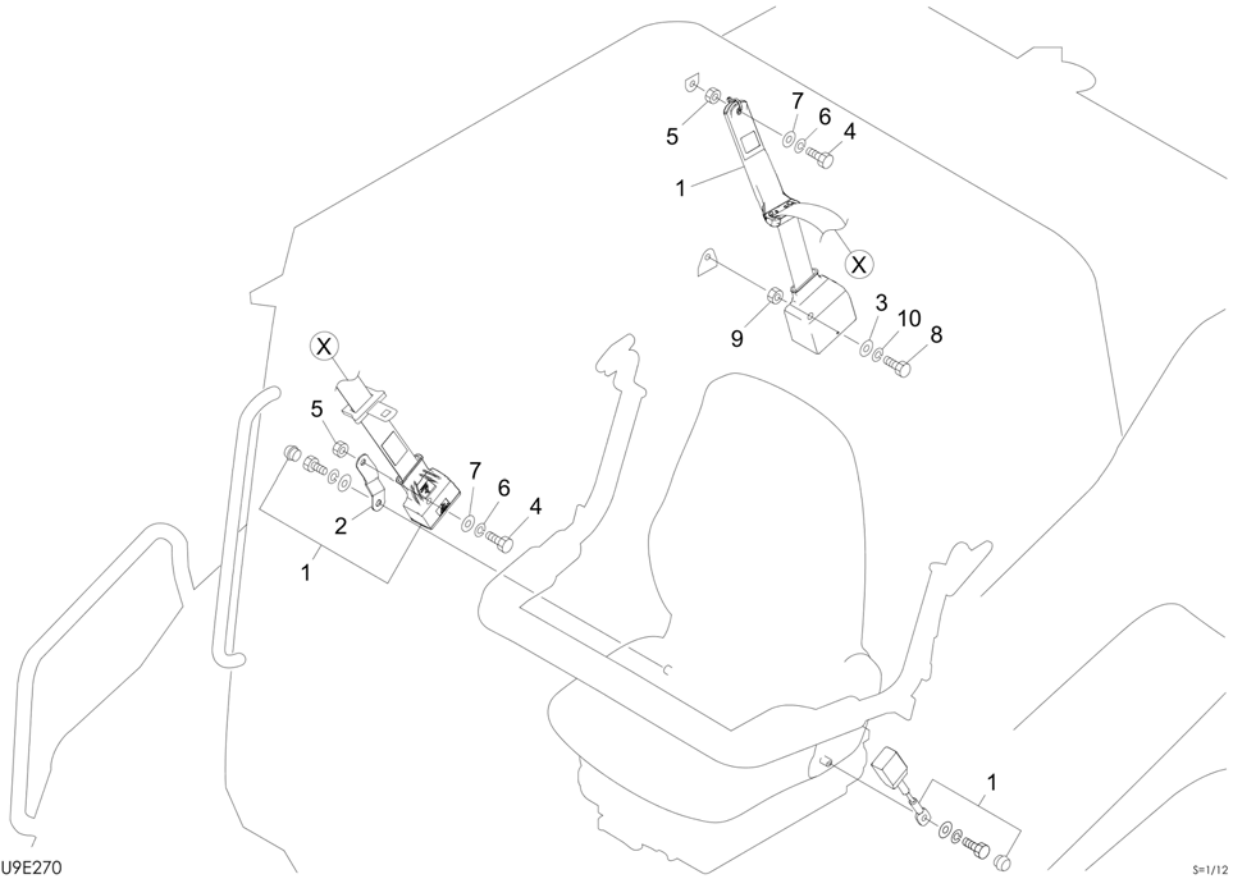


E8E120

S=Free

Item	Part No.	Name	Qty	Uom	Remarks	Serial Number
0	1914100072	SEAT ASSY (CANOPY)	1	EA		
1	1914101072	RAIL ASSY	1	EA		
2	1914102072	PLATE ASSY	1	EA		
3	1914103072	BOOT	1	EA		
4	1914104072	ANGLE ASSY	1	EA		
5	1914105072	LINK ASSY	1	EA		
6	1914106072	DAMPER ASSY	1	EA		
7	1914107072	SPRING ASSY	1	EA		
8	1914108072	TRIM PVC	1	EA		
9	1914109072	TRIM (BOTTOM SEAT CUSHION) (PVC)	1	EA		
10	1914110072	RAIL ASSY	1	EA		
11	1914111072	BOLT ASSY	1	EA		
12	1914112072	COVER (L.H.)	1	EA		
13	1914113072	FRAME	1	EA		
14	1914114072	COVER (R.H.)	1	EA		
15	1914115072	FRAME	1	EA		
16	1914116072	GUIDE	2	EA		
17	*****	BRACKET	1	EA		
18	1914118072	JOINT ASSY	1	EA		
19	1914119072	PLATE	1	EA		
20	1914120072	SCREW, cap	1	EA		
21	1914121072	PLATE	1	EA		
22	1914122072	PLUG	2	EA		
23	1914123072	BELT ASSY, seat	1	EA		
24	1914199072	SUB ASSY	1	EA		
25	1914198071	SUB ASSY	1	EA		

COVER & CAB SEAT BELT

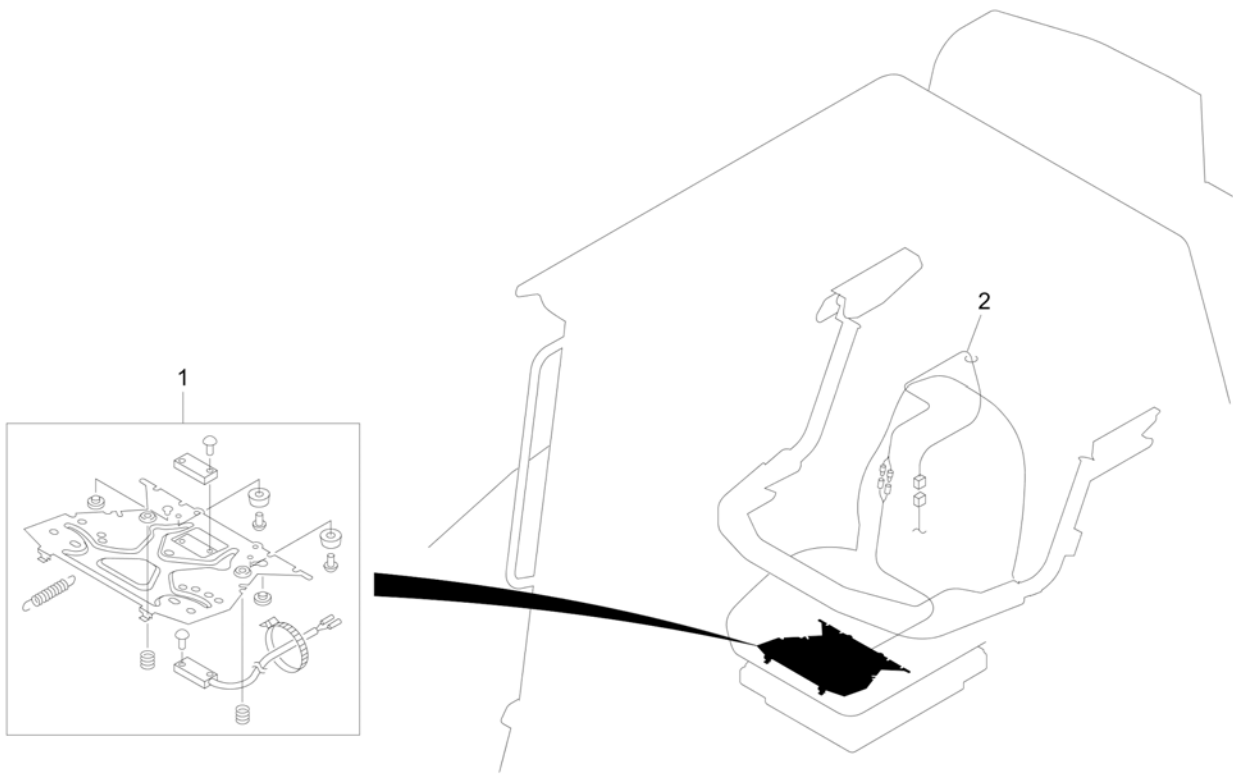


U9E270

S=1/12

Item	Part No.	Name	Qty	Uom	Remarks	Serial Number
-	PNNA	BELT ASSY, seat		EA		
1	1914100145	BELT, seat (3-POINT)	1	EA		
2	0683400007	PLATE	1	EA		
3	0003600024	WASHER (12.5/30 T/3)	1	EA		
4	1100051230	BOLT (10.9 M12 X 30MM)	2	EA		
5	1130050012	NUT (8TM12 P/1.75)	2	EA		
6	1140020012	WASHER, spring (12MM)	2	EA		
7	1141550012	WASHER	2	EA		
8	1102540725	SCREW	1	EA		
9	1132940719	NUT	1	EA		
10	1140210007	WASHER, spring	1	EA		

COVER & CAB SEAT SWITCH



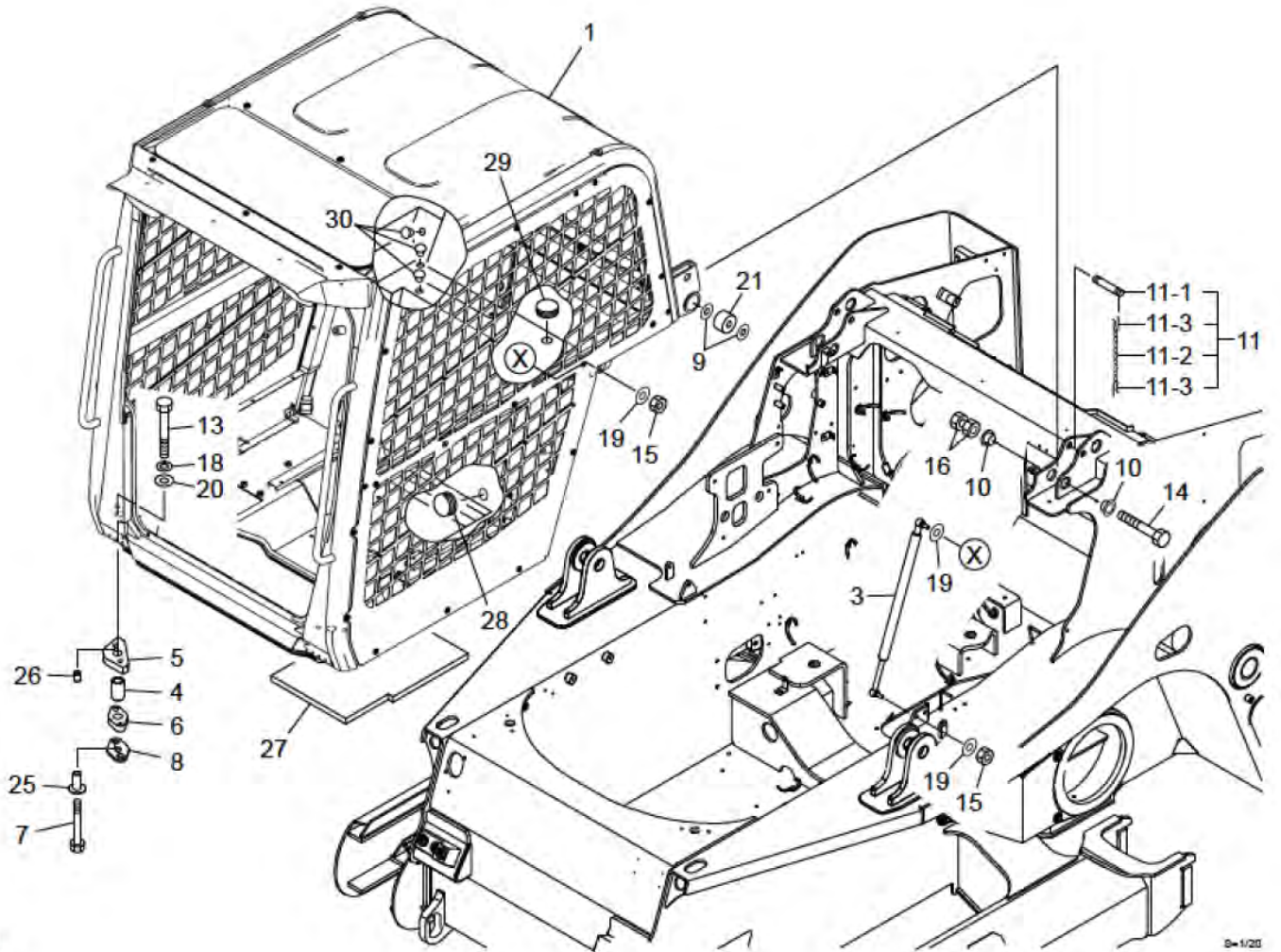
ROE280

S=1/8. 1/15

Item	Part No.	Name	Qty	Uom	Remarks	Serial Number
-	PNNA	SWITCH ASSY, seat		EA		
1	1914100086	SWITCH KIT, seat	1	EA		
2	0663405010	HARNESS, wiring	1	EA		

Item	Part No.	Name	Qty	Uom	Remarks	Serial Number
-	PNNA	BAR ASSY, safety		EA		
1	0684600009	BAR, safety	1	EA		
2	0684600017	BRACKET (L.H.)	1	EA		
3	0684600020	BRACKET (R.H.)	1	EA		
4	0093208300	WASHER	4	EA		
5	0003600025	WASHER	2	EA		
6	1100050820	BOLT (10TM8 X 20 P/1.25)	1	EA		
7	1100050825	BOLT (10TM8 X 25 P/1.25)	1	EA		
8	1100050840	BOLT (10TM8 X 40 P/1.25)	1	EA		
9	1100051020	BOLT (10TM10 X 20 P/1.5)	2	EA		
10	1100051025	BOLT (10TM10 X 25 P/1.5)	4	EA		
11	1130140008	NUT (polycarbonate type)	3	EA		
12	1130050012	NUT (8TM12 P/1.75)	2	EA		
13	1140020010	WASHER, spring	6	EA		
14	1141110008	WASHER	1	EA		
15	1141110010	WASHER, plain	4	EA		
16	1150410312	SCREW	2	EA		
17	1651101224	STOPPER	2	EA		
18	1653900083	SPRING, gas	1	EA		
19	1700009010	SWITCH, proximity	1	EA		

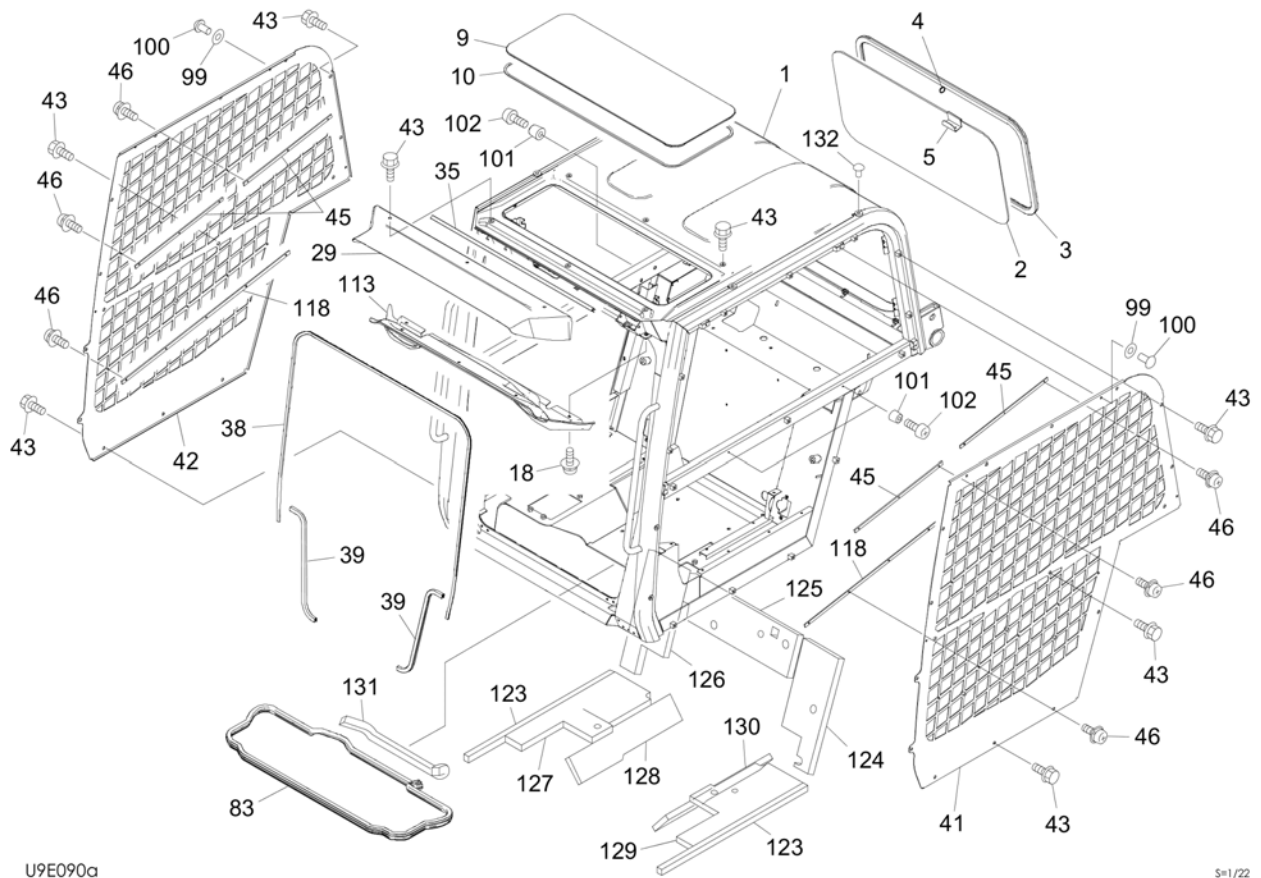
COVER & CAB CANOPY MOUNT



R0E081

Item	Part No.	Name	Qty	Uom	Remarks	Serial Number
-	PNNA	CANOPY MOUNT		EA		
1	0698400019	CANOPY ASSY	1	EA		
3	1653900092	SPRING, gas	2	EA		
4	0698600097	PIPE	2	EA		
5	0698600132	RUBBER	2	EA		
6	0698600133	RUBBER	2	EA		
7	1100041055	BOLT	4	EA		
8	0698600100	PLATE	2	EA		
9	0880840070	WASHER	4	EA		
10	0881840008	COLLAR	4	EA		
11	0881841060	PIN ASSY	1	EA		
11-1	0881841061	PIN (CAN USE ASSEMBLY # 0881841060)	1	EA		
11-2	1652768610	CHAIN	1	EA		
11-3	1214000016	PIN, snap	2	EA		
13	1100041690	BOLT	2	EA		
14	1100141610	BOLT	2	EA		
15	1130240010	NUT	4	EA		
16	1130050016	NUT	4	EA		
18	1140020016	WASHER, spring	2	EA		
19	1141110010	WASHER, plain	6	EA		
20	1141550016	WASHER (HEAT M16)	2	EA		
21	1651005030	RUBBER, cushion	2	EA		
25	0698600148	COLLAR	4	EA		
26	0698600149	COLLAR	4	EA		
27	0698600181	ABSORBENT, noise	1	EA		
28	1652053400	GROMMET	1	EA		
29	1652052800	GROMMET	1	EA		
30	1652533018	CAP	6	EA		

COVER & CAB CANOPY (for U.S.) 1

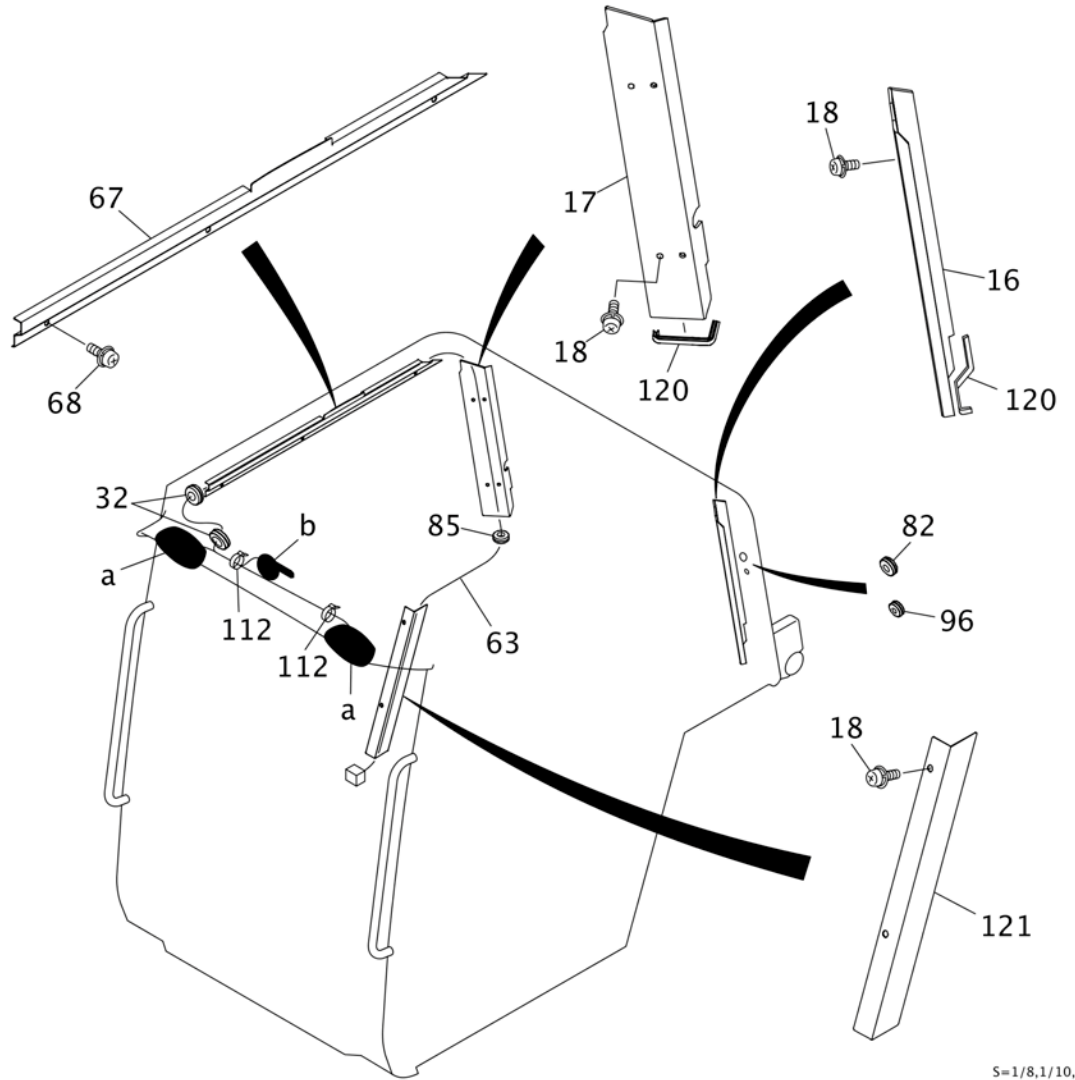
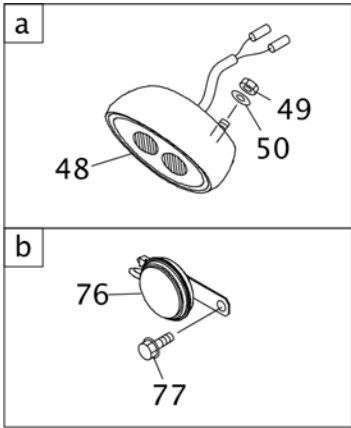


U9E090a

S=1/22

Item	Part No.	Name	Qty	Uom	Remarks	Serial Number
0	0698400019	CANOPY ASSY	1	EA		
1	*****	CANOPY	1	EA		
2	0698600210	GLASS (REAR) (CAB/CANOPY)	1	EA		
3	1654253248	H-RUBBER (2480 MM) (NOT SOLD BY THE METER)	1	EA		
4	0880865139	RING	1	EA		
5	0882861185	HANDLE	1	EA		
9	0698600200	ROOF COVER (CAB) (polycarbonate)	1	EA		
10	1654652223	DAM	1	EA	sold by the meter	
18	1150420616	SCREW, sems (polycarbonate type)	15	EA		
29	0698600143	GUARD ASSY (VISOR)	1	EA		
35	1654636082	TRIM (SOLD BY THE METER)	1	EA		
38	1653916250	TRIM	1	EA		
39	1653916000	RUBBER TRIM (SOLD BY THE METER)	2	EA		
41	0698600152	GUARD	1	EA		
42	0698600151	GUARD	1	EA		
43	1100790816	BOLT	42	EA		
45	0698600233	PLATE	4	EA		
46	1150420520	BOLT, sems	22	EA		
83	1654623250	TRIM (SOLD BY THE METER)	1	EA		
99	0880865144	WASHER	8	EA		
100	0880865150	RIVET	8	EA		
101	1652102320	RUBBER	4	EA		
102	1120590416	SCREW	4	EA		
113	0698600178	COVER	1	EA		
118	0698600254	PLATE	2	EA		
123	0698600245	SEAL	2	EA		
124	0698600246	INSULATION	1	EA		
125	0698600247	INSULATION	1	EA		
126	0698600248	INSULATION	1	EA		
127	0698600249	INSULATION	1	EA		
128	0698600250	INSULATION	1	EA		
129	0698600251	INSULATION	1	EA		
130	0698600252	INSULATION	1	EA		
131	0698600253	SEAL	1	EA		
132	1653303012	CAP	4	EA		

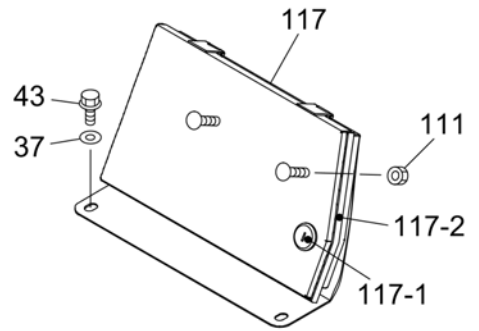
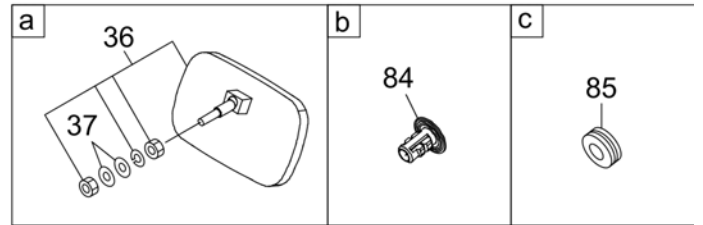
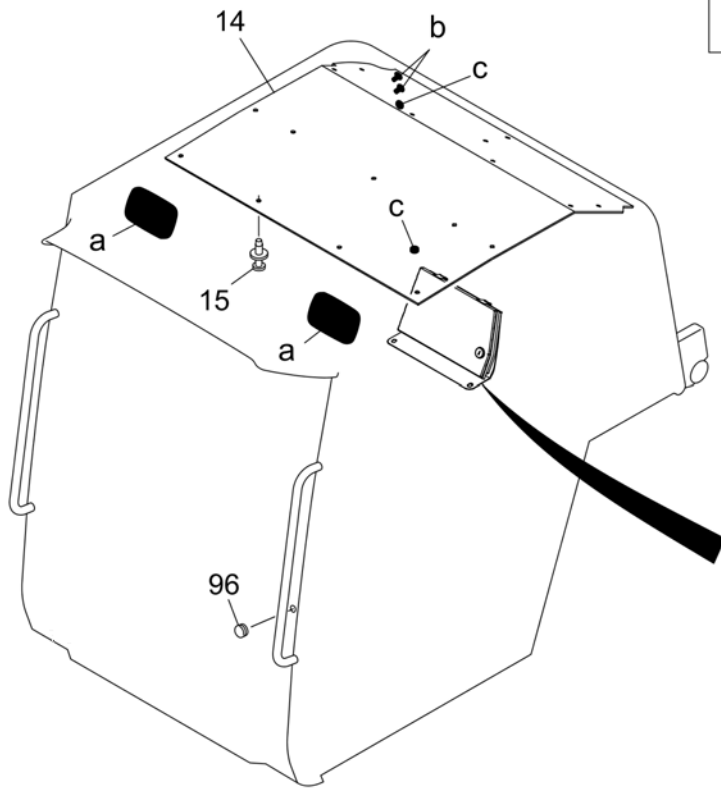
COVER & CAB CANOPY (for U.S.) 2



ROE250b

S=1/8,1/10,1/

Item	Part No.	Name	Qty	Uom	Remarks	Serial Number
16	0698600228	COVER (L.H.)	1	EA		
17	0698600227	COVER (R.H.)	1	EA		
18	1150420616	SCREW, sems (polycarbonate type)	15	EA		
32	1654011701	GROMMET	2	EA		
48	1703000030	LAMP ASSY	2	EA		
49	1130050012	NUT (8TM12 P/1.75)	2	EA		
50	1654011944	WASHER	2	EA		
63	0698600238	HARNESS, wiring	1	EA		
67	0698600240	COVER	1	EA		
68	1150420612	BOLT, sems	3	EA		
76	0698600157	HORN	1	EA		
77	1100790812	BOLT	1	EA		
82	1654011962	CAP	1	EA		
85	1654011963	CAP	3	EA		
96	1654011703	CAP	2	EA		
112	1654011931	CLAMP	2	EA		
120	1654648010	TRIM	2	EA	sold by the meter	
121	0698600244	COVER	1	EA		

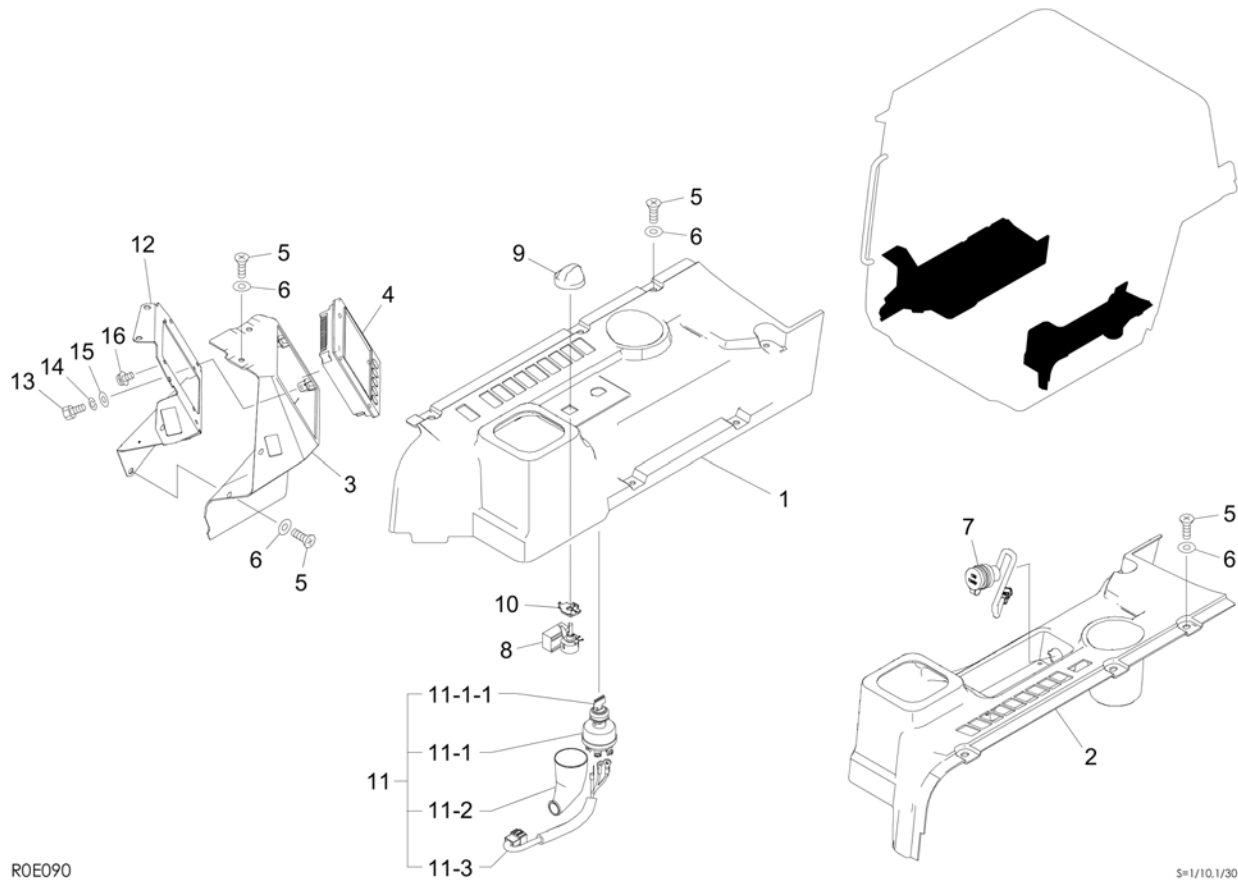


ROE250c

S=1/4, 1/8, 1/20

Item	Part No.	Name	Qty	Uom	Remarks	Serial Number
14	0698600223	COVER	1	EA		
15	0698600224	RIVET	17	EA		
36	0698600232	MIRROR, rearview	2	EA		
37	1654011942	WASHER	6	EA		
43	1100790816	BOLT	42	EA		
84	1653303010	CAP	2	EA		
85	1654011963	CAP	3	EA		
96	1654011703	CAP	2	EA		
111	1130140008	NUT (polycarbonate type)	2	EA		
117	0698400016	CASE	2	EA		
117-1	1653601395	LOCK ASSY (DOESNT INCLUDE KEYS #1700100019)	1	EA		
117-2	1654520000	MOLDING RUBBER (SOLD BY THE METER)	1	EA	sold by the meter	

COVER & CAB CANOPY INTERIOR

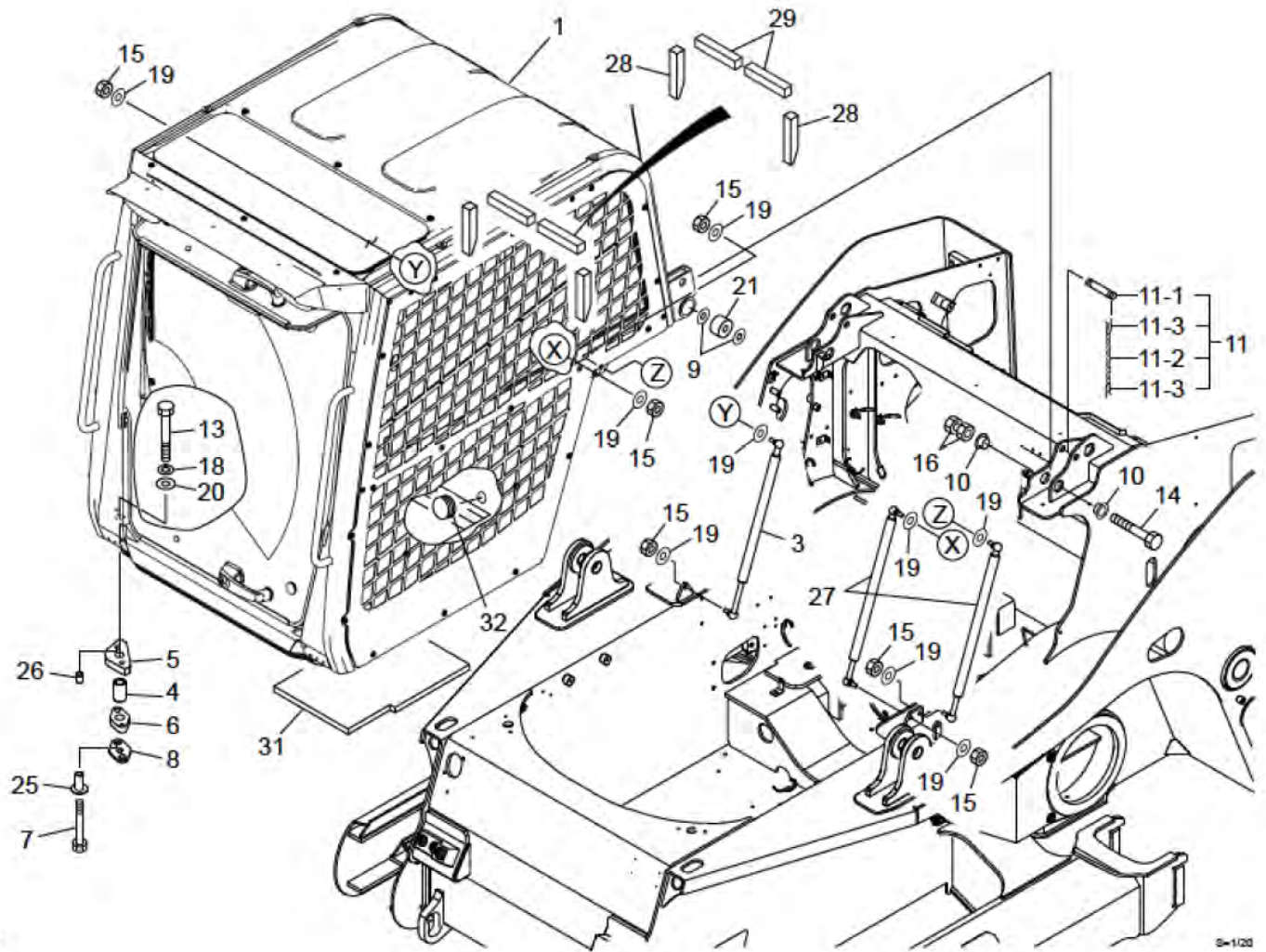


ROE090

S=1/10.1/30

Item	Part No.	Name	Qty	Uom	Remarks	Serial Number
-	PNNA	CANOPY INTERIOR ASSY		EA		
-	PNNA	CANOPY INTERIOR ASSY (with the rear view camera)		EA		
1	0688400020	COVER (R.H.)	1	EA		
2	0688400021	COVER (L.H.)	1	EA		
3	0688600074	COVER (R.H.)	1	EA		
4	1730143660	CLUSTER	1	EA		
4	1730143661	DISPLAY (with the rear view camera)	1	EA	with the rear view camera	
5	1120790620	SCREW	16	EA		
6	1652900016	WASHER	16	EA		
7	1711900520	SOCKET ASSY	1	EA		
8	1700000066	RESISTOR ASSY	1	EA		
9	1700000059	KNOB	1	EA		
10	0694300270	BRACKET	1	EA		
11	*****	SWITCH ASSY, starter	1	EA		
11-1	1700100072	SWITCH, starter (KEY)	1	EA		
11-1-1	1700100019	KEY (QTY 2 = 1 KEYS)	1	EA		
11-2	0870431821	COVER	1	EA		
11-3	0334340191	HARNESS ASSY	1	EA		
12	0688600078	PLATE	1	EA		
13	1100050616	BOLT (10TM6 X 16 P/1.0)	4	EA		
14	1140020006	WASHER, spring	4	EA		
15	1141110006	WASHER	4	EA		
16	1150420410	SCREW, sems	4	EA		

COVER & CAB CAB MOUNT

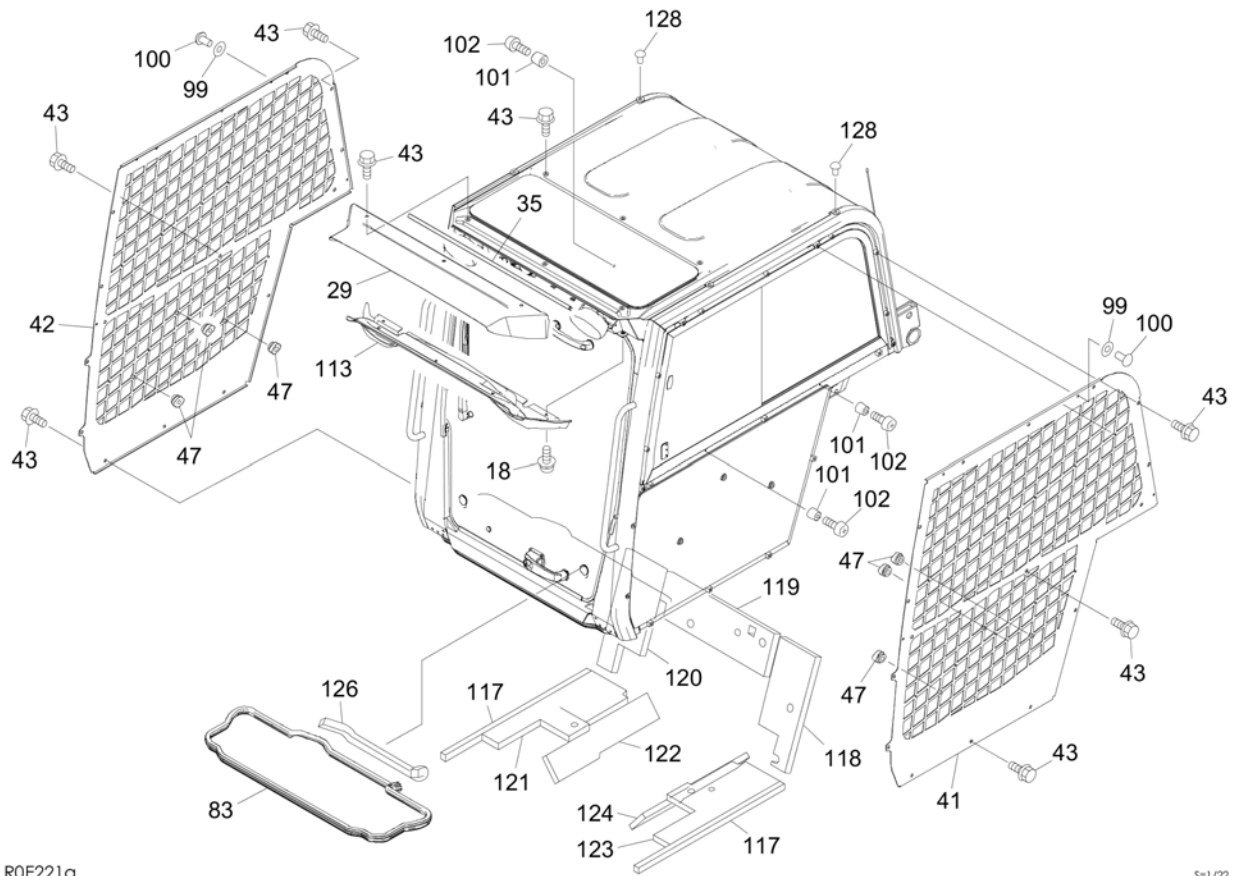


ROE101

5-1/20

Item	Part No.	Name	Qty	Uom	Remarks	Serial Number
-	PNNA	CAB MOUNT		EA		
-	PNNA	CAB MOUNT (polycarbonate type)		EA		
1	0698600135	CAB ASSY (for U.S.)	1	EA		
1	0698600139	CAB ASSY (for U.S.) (polycarbonate type)	1	EA		
3	1653900092	SPRING, gas	1	EA		
4	0698600097	PIPE	2	EA		
5	0698600132	RUBBER	2	EA		
6	0698600133	RUBBER	2	EA		
7	110041055	BOLT	4	EA		
8	0698600100	PLATE	2	EA		
9	0880840070	WASHER	4	EA		
10	0881840008	COLLAR	4	EA		
11	0881841060	PIN ASSY	1	EA		
11-1	0881841061	PIN (CAN USE ASSEMBLY # 0881841060)	1	EA		
11-2	1652768610	CHAIN	1	EA		
11-3	1214000016	PIN, snap	2	EA		
13	110041690	BOLT	2	EA		
14	1100141610	BOLT	2	EA		
15	1130240010	NUT	6	EA		
16	1130050016	NUT	4	EA		
18	1140020016	WASHER, spring	2	EA		
19	1141110010	WASHER, plain	9	EA		
20	1141550016	WASHER (HEAT M16)	2	EA		
21	1651005030	RUBBER, cushion	2	EA		
25	0698600148	COLLAR	4	EA		
26	0698600149	COLLAR	4	EA		
27	1653900090	SPRING, gas	2	EA		
28	0698600175	SPONGE	2	EA		
29	0554000318	SPONGE	2	EA		
31	0698600181	ABSORBENT, noise	1	EA		
32	1652053400	GROMMET	1	EA		

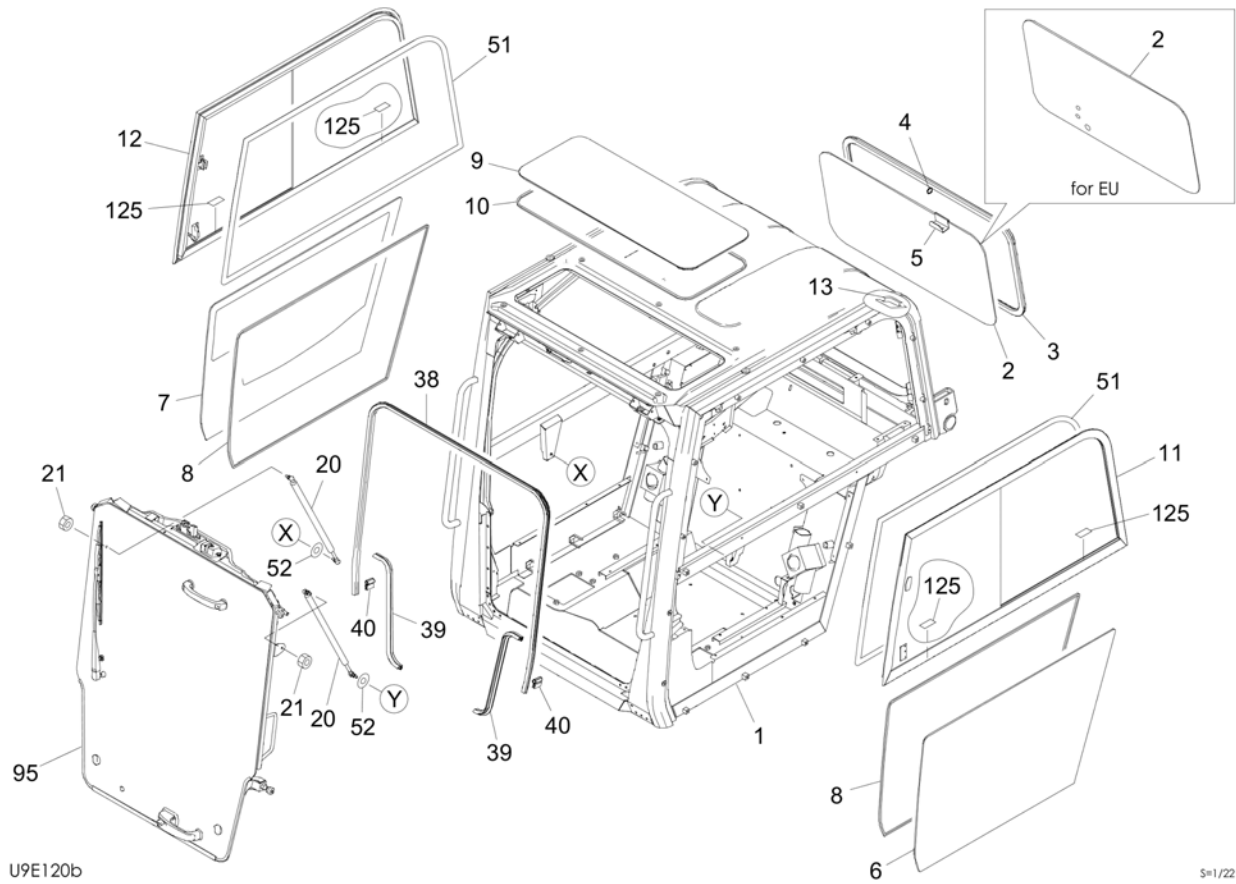
COVER & CAB CAB (1/3) 1



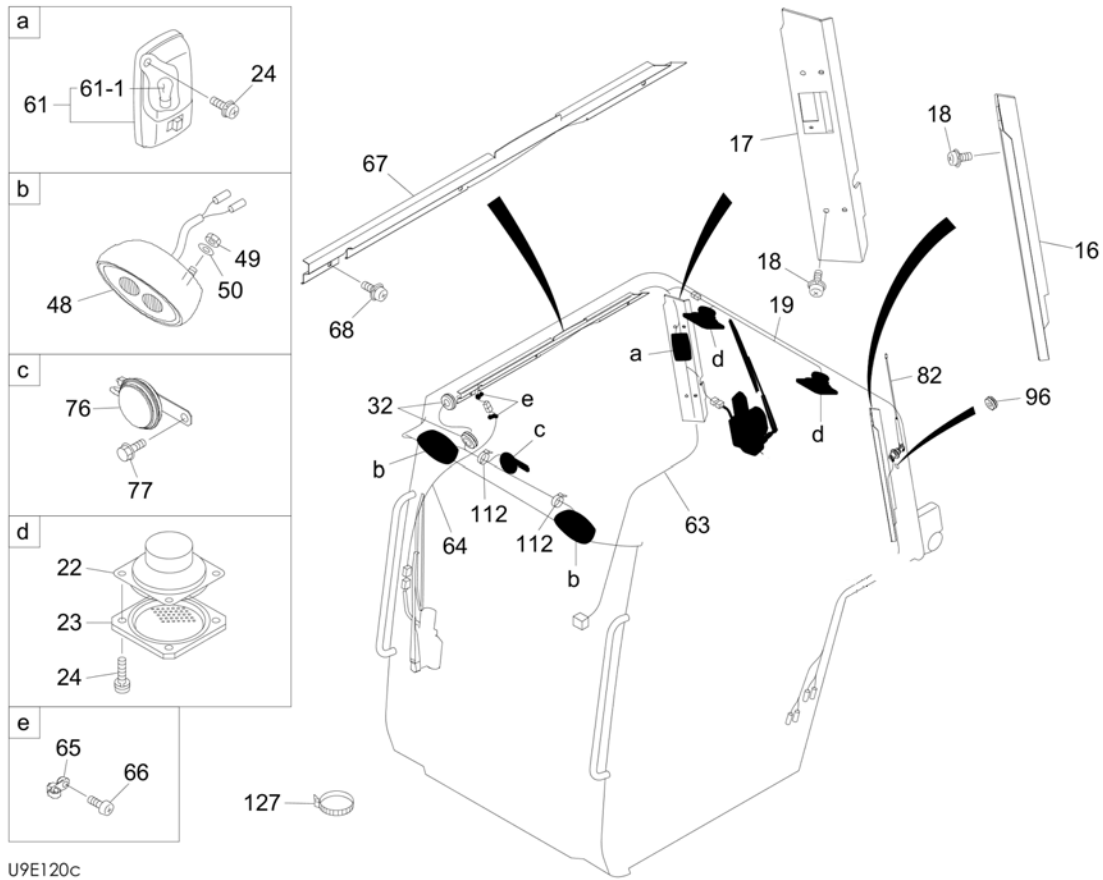
ROE221a

S=1/22

Item	Part No.	Name	Qty	Uom	Remarks	Serial Number
18	1150420616	SCREW, sems (polycarbonate type)	13	EA	for U.S.	
29	0698600143	GUARD ASSY (VISOR)	1	EA		
35	1654636082	TRIM (SOLD BY THE METER)	1	EA		
41	0698600152	GUARD	1	EA		
42	0698600151	GUARD	1	EA		
43	1100790816	BOLT	40	EA		
47	0698600234	CUSHION, rubber	6	EA		
83	1654623250	TRIM (SOLD BY THE METER)	1	EA		
99	0880865144	WASHER	8	EA		
100	0880865150	RIVET	8	EA		
101	1652102320	RUBBER	4	EA		
102	1120590416	SCREW	4	EA		
113	0698600178	COVER	1	EA		
117	0698600245	SEAL	2	EA		
118	0698600246	INSULATION	1	EA		
119	0698600247	INSULATION	1	EA		
120	0698600248	INSULATION	1	EA		
121	0698600249	INSULATION	1	EA		
122	0698600250	INSULATION	1	EA		
123	0698600251	INSULATION	1	EA		
124	0698600252	INSULATION	1	EA		
126	0698600253	SEAL	1	EA		
128	1653303012	CAP	4	EA		



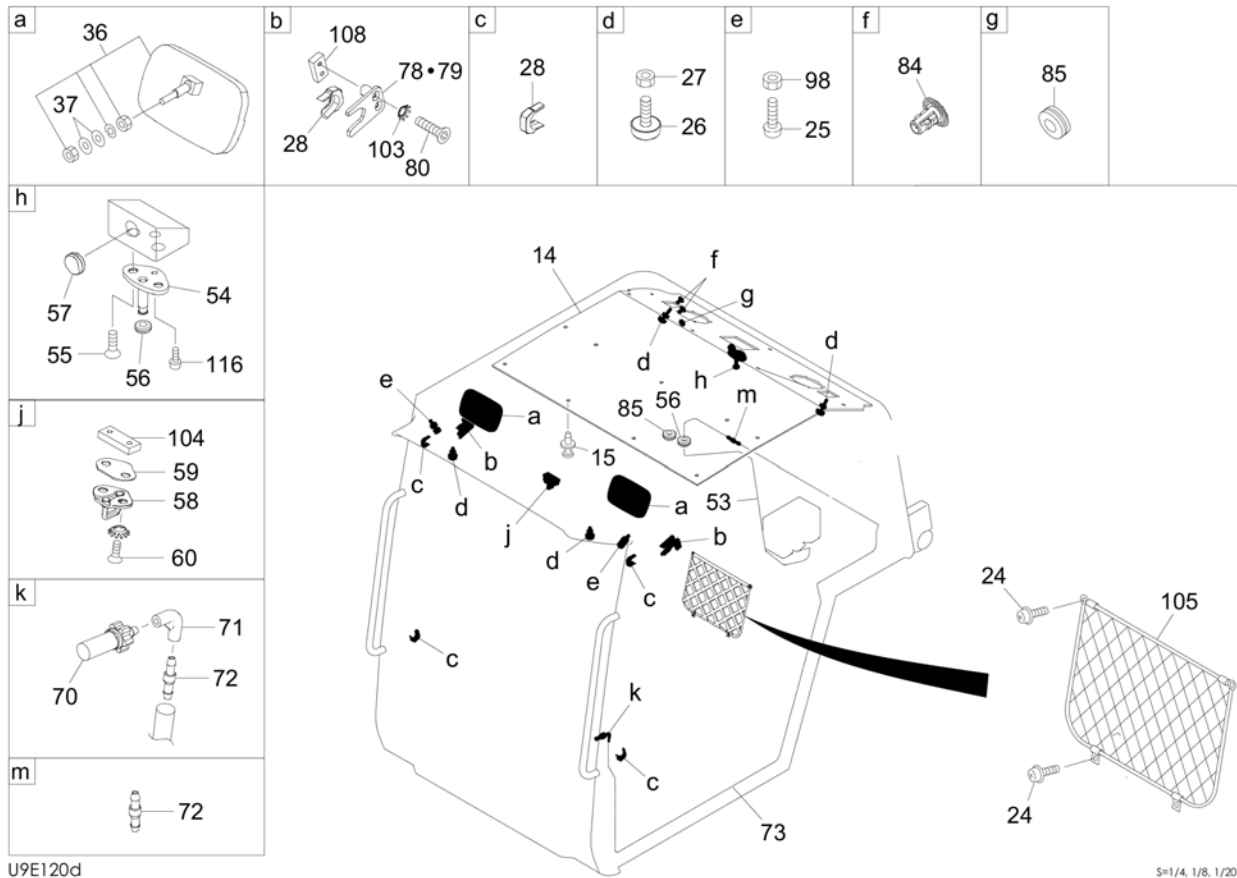
Item	Part No.	Name	Qty	Uom	Remarks	Serial Number
0	0698600135	CAB ASSY (for U.S.)	1	EA		
0	0698600139	CAB ASSY (for U.S.) (polycarbonate type)	1	EA		
1	*****	CAB	1	EA		
2	0698600210	GLASS (REAR) (CAB/CANOPY)	1	EA	for U.S.	
3	1654253248	H-RUBBER (2480 MM) (NOT SOLD BY THE METER)	1	EA		
4	0880865139	RING	1	EA		
5	0882861185	HANDLE	1	EA		
6	0698600221	GLASS (CAB)	1	EA		
7	0698600219	GLASS (CAB)	1	EA		
8	1654652294	DAM (LENGTH IS 294 CM)	2	EA	sold by the meter	
9	0698600200	ROOF COVER (CAB) (polycarbonate)	1	EA		
10	1654652223	DAM	1	EA	sold by the meter	
11	0698600258	SASH ASSY, side (L.H.)	1	EA	see page (3/3)	
12	0698600291	SIDE SASH ASSY (R.H.)	1	EA	see page (3/3)	
13	1654648006	TRIM (SOLD BY THE METER)	1	EA		
20	0698600230	SPRING, gas	2	EA		
21	1131213008	NUT	2	EA		
38	1654520000	MOLDING RUBBER (SOLD BY THE METER)	1	EA		
38	1654605000	STRIP, weather (SOLD BY THE METER)	1	EA		
39	1654520000	MOLDING RUBBER (SOLD BY THE METER)	2	EA		
40	1654619003	SEAL	2	EA		
51	1654643000	DAM	2	EA	sold by the meter	
52	1141190008	WASHER	2	EA		
95	0698600150	DOOR ASSY, front (CAB)	1	EA	see page (2/3)	
95	0698600160	DOOR ASSY, front (polycarbonate type) (CAB)	1	EA	see page (2/3)	
125	0578600193	SPACER	4	EA		



U9E120c

S=1/8.1/10.1/20

Item	Part No.	Name	Qty	Uom	Remarks	Serial Number
16	0698600226	COVER	1	EA		
17	0698600225	COVER	1	EA		
18	1150420616	SCREW, sems (polycarbonate type)	13	EA	for U.S.	
19	0698600229	HARNESS, wiring	1	EA		
22	1705016000	SPEAKER	2	EA		
23	1705016001	GRILLE	2	EA		
24	1150420416	SCREW	14	EA		
32	1654011701	GROMMET	2	EA		
48	1703000030	LAMP ASSY	2	EA		
49	1130050012	NUT (8TM12 P/1.75)	2	EA		
50	1654011944	WASHER	2	EA		
61	1703007300	LAMP ASSY (INCLUDES BULB #1703007301)	1	EA		
63	0698600237	HARNESS, wiring	1	EA		
64	0880865410	HARNESS, wiring	1	EA		
65	1652221050	BAND	2	EA		
66	1150420516	SCREW	2	EA		
67	0698600239	COVER	1	EA		
68	1150420612	BOLT, sems	3	EA		
76	0698600157	HORN	1	EA		
77	1100790812	BOLT	1	EA		
82	1705003460	ANTENNA	1	EA		
96	1654011703	CAP	1	EA	for U.S.	
112	1654011931	CLAMP	2	EA		
127	1652200004	BAND	1	EA		

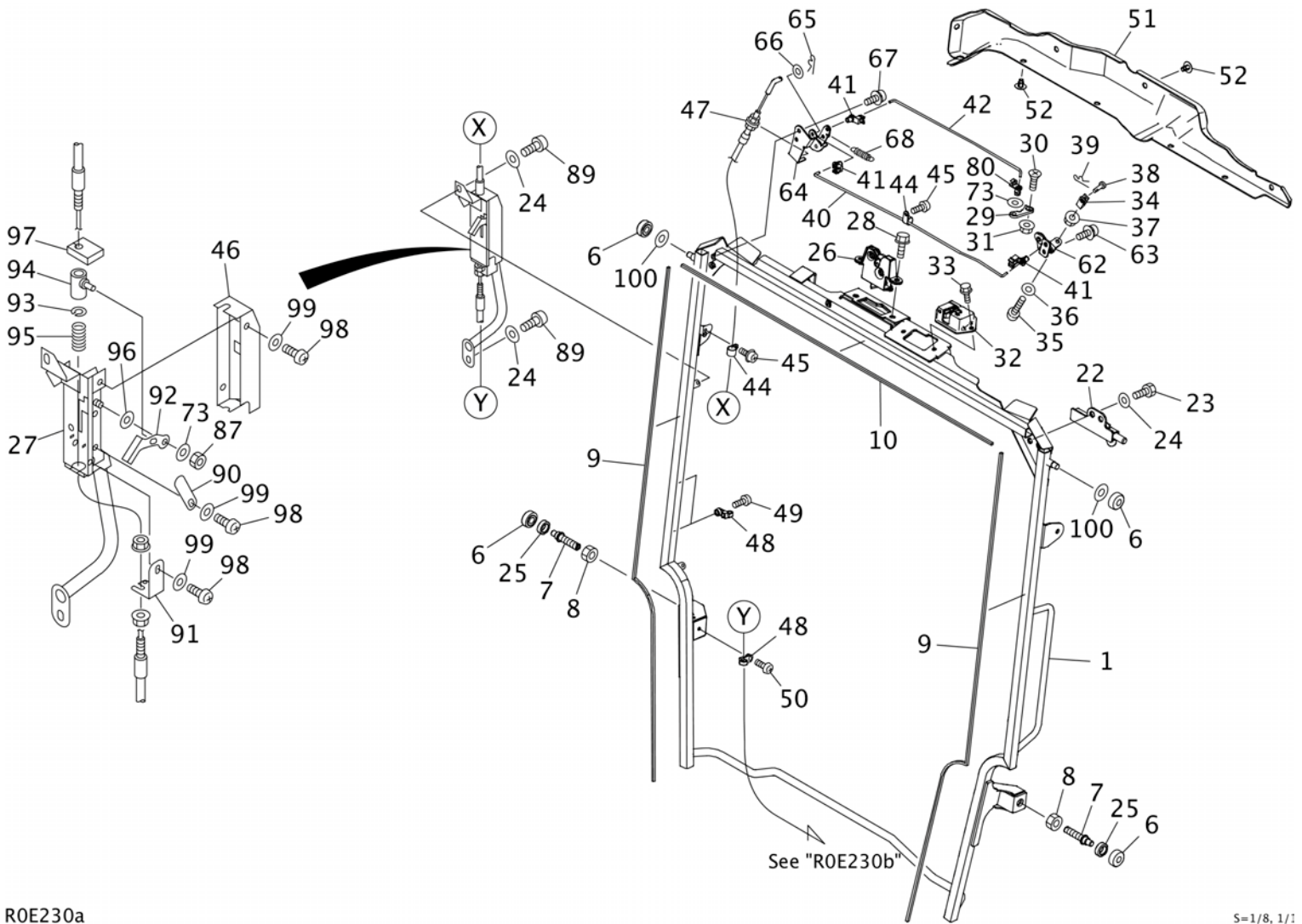


U9E120d

S=1/4, 1/8, 1/20

Item	Part No.	Name	Qty	Uom	Remarks	Serial Number
14	0698600222	COVER	1	EA		
15	0698600224	RIVET	16	EA		
24	1150420416	SCREW	14	EA		
25	1651101028	STOPPER	2	EA		
26	1651101042	RUBBER	4	EA		
27	1130090010	NUT	4	EA		
28	0698600231	STOPPER	6	EA		
36	0698600232	MIRROR, rearview	2	EA		
37	1654011942	WASHER	4	EA		
53	1711919000	HOSE (SOLD BY THE METER)	1	EA		
54	0698600236	STRIKER	1	EA		
55	1120801025	BOLT	2	EA		
56	1654011700	GROMMET	2	EA		
57	1654011964	CAP	1	EA		
58	0698600274	STRIKER	1	EA		
59	0698600275	SHIM	1	EA		
60	1100790820	BOLT	2	EA		
70	1711910040	NOZZLE, washer	1	EA		
71	1711910016	JOINT	1	EA		
72	1711910014	JOINT	2	EA		
73	1711919350	HOSE	1	EA		
78	0698600241	BRACKET (R.H.)	1	EA		
79	0698600242	BRACKET (L.H.)	1	EA		
80	1120800635	BOLT	4	EA		
84	1653303010	CAP	2	EA		
85	1654011963	CAP	2	EA		
98	1132712010	NUT (M10 P/1.5)	2	EA		
103	0698600256	WASHER	4	EA		
104	0698600255	SEAT	1	EA		
105	1654010600	POCKET	1	EA		
108	0698600243	SEAT	2	EA		
116	1150420620	SCREW	1	EA		

COVER & CAB CAB (2/3) (for U.S.) (front door) 1



ROE230a

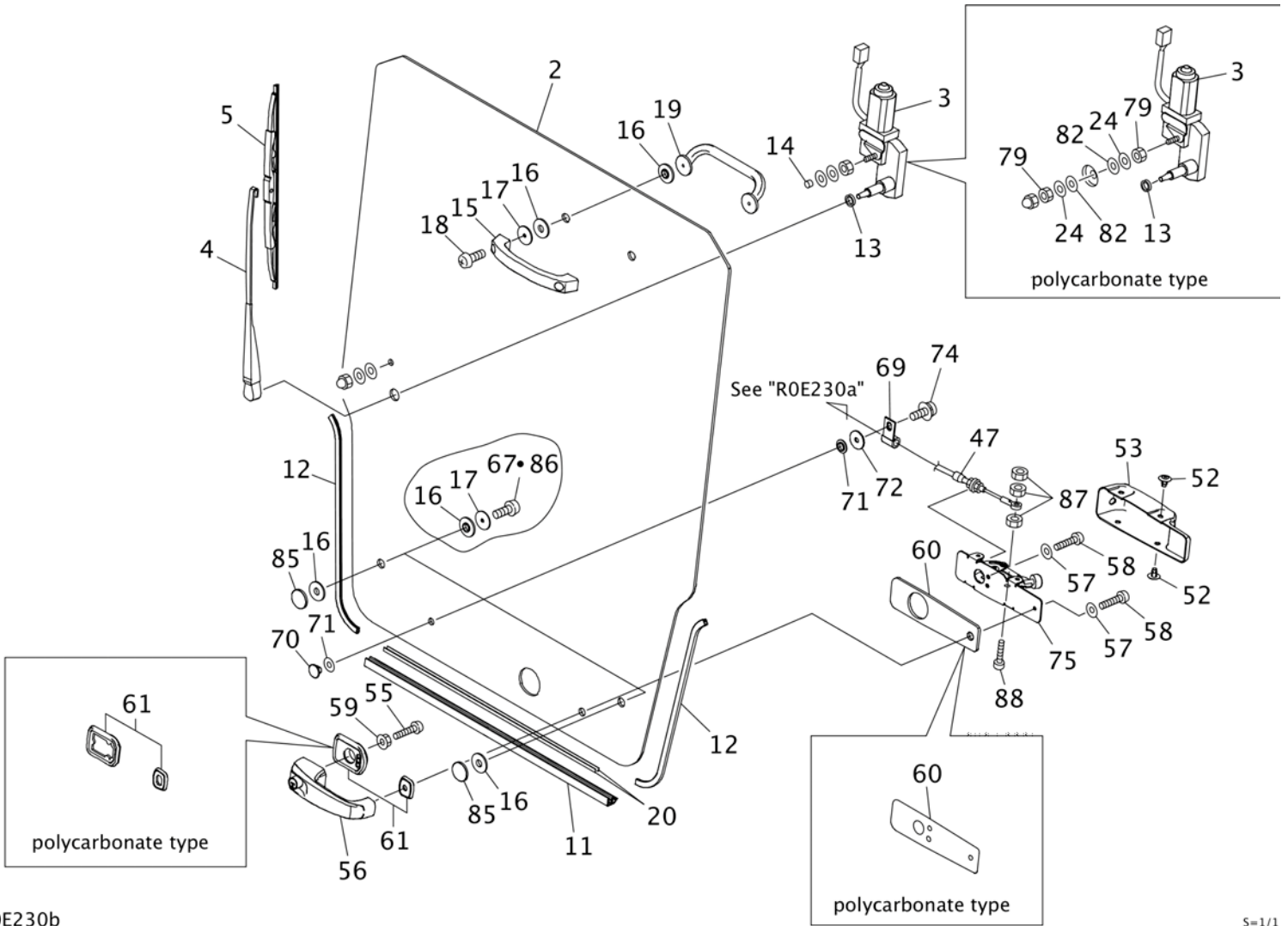
S=1/8, 1/1

Item	Part No.	Name	Qty	Uom	Remarks	Serial Number
1	0698600182	DOOR, front	1	EA		
6	0880865305	ROLLER	4	EA		
7	0698600185	BOLT	2	EA		
8	1130050012	NUT (8TM12 P/1.75)	2	EA		
9	1654652007	DAM (LENGTH IS 7 CM)	2	EA	sold by the meter	
9	1654643000	DAM	2	EA	sold by the meter	
10	1654652080	DAM (LENGTH IS 80 CM)	1	EA	sold by the meter	
10	1654643000	DAM	1	EA	sold by the meter	
22	0698600186	LATCH	1	EA		
23	1100090825	BOLT	2	EA		
24	1654011948	WASHER (polycarbonate type)	4	EA		
24	1654011948	WASHER (polycarbonate type)	6	EA		
25	0698600187	COLLAR	2	EA		
26	1653384630	LOCK	1	EA		
27	0698600188	BRACKET	1	EA		
28	1100790825	BOLT	2	EA		
29	0698600189	BRACKET	1	EA		
30	1120630512	SCREW (4TM5 X 12 P/0.8)	1	EA		
31	1131212005	NUT	1	EA		
32	0338600134	LOCK ASSY	1	EA		
33	1106690616	BOLT	2	EA		
34	1654011934	YOKE	1	EA		
35	1110040430	BOLT	1	EA		
36	1654012004	WASHER	1	EA		
37	1131212004	NUT	1	EA		
38	1654011933	PIN	1	EA		
39	1214000004	PIN, snap	1	EA		
40	0698600190	ROD	1	EA		
41	0398610900	SNAP	3	EA		
42	0698600191	ROD	1	EA		
44	0698600192	CLIP	2	EA		
45	1150420412	SCREW, sems	2	EA		
46	0698600193	COVER	1	EA		
47	0698600194	CABLE, wire	1	EA		
48	1652221051	CLIP	3	EA		
49	1122400514	SCREW	2	EA		
50	1120630516	SCREW FLAT 4TM5 X 16 P/0.8	1	EA		

This page intentionally left blank

Item	Part No.	Name	Qty	Uom	Remarks	Serial Number
51	0698600195	COVER	1	EA		
52	0698600196	CLIP	12	EA		
62	0698600201	LINK	1	EA		
63	1150420612	BOLT, sems	2	EA		
64	0698600202	LINK	1	EA		
65	1214000006	PIN, snap	1	EA		
66	1654011941	WASHER	1	EA		
67	1150420616	SCREW, sems (polycarbonate type)	4	EA		
67	1150420616	SCREW, sems (polycarbonate type)	2	EA		
68	0698600203	SPRING	1	EA		
73	1654012005	WASHER	1	EA		
80	0068621500	SNAP	1	EA		
87	1130030005	NUT	4	EA		
89	1120940816	SCREW	2	EA		
90	0698600208	PLATE	1	EA		
91	0698600209	PLATE	1	EA		
92	0698600281	PLATE	1	EA		
93	0698600211	PLATE	1	EA		
94	0698600212	CYLINDER	1	EA		
95	0698600213	SPRING	1	EA		
96	0698600214	WASHER	1	EA		
97	0698600215	PLATE	1	EA		
98	1120940612	SCREW	4	EA		
99	1141190006	WASHER	4	EA		
100	0688600018	WASHER	2	EA		

COVER & CAB CAB (2/3) (for U.S.) (front door) 2



R0E230b

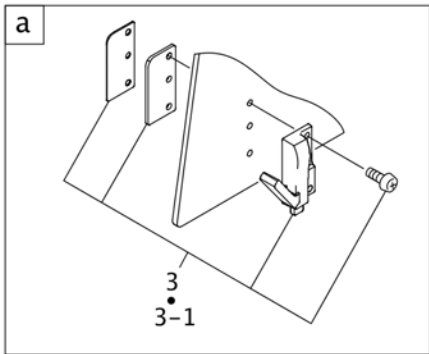
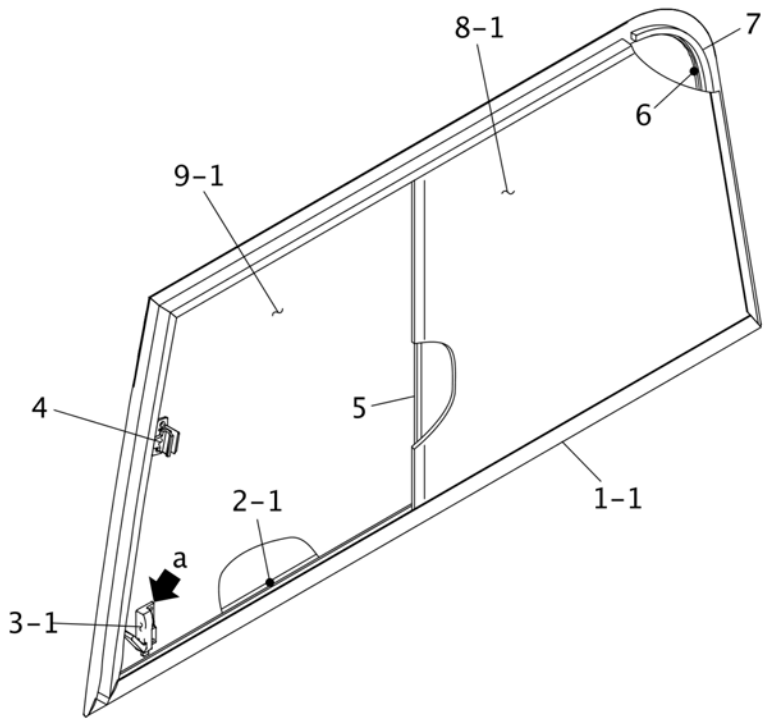
S=1/1

Item	Part No.	Name	Qty	Uom	Remarks	Serial Number
2	0698600184	GLASS (FRONT)	1	EA		
2	0698600183	GLASS (POLYCARBONATE)	1	EA		
3	0880865302	MOTOR, wiper	1	EA	DOES NOT WORK ON GEHL OR MUSTANG UNITS	
4	0880865303	ARM, wiper	1	EA		
5	0880865304	BLADE, wiper	1	EA		
11	1654631000	SEAL (SOLD BY THE METER)	1	EA	sold by the meter	
11	1654645000	SEAL (SOLD BY THE METER)	1	EA	sold by the meter	
12	1653916052	TRIM	2	EA	sold by the meter	
13	0880865310	COLLAR	1	EA		
14	0880865311	COLLAR	1	EA		
15	0880865312	HANDLE	1	EA		
16	0880865314	GROMMET	8	EA		
17	0880865315	WASHER	4	EA		
18	1150410630	SCREW	2	EA		
18	1150410635	SCREW (polycarbonate type)	2	EA		
19	0698603230	HANDLE	1	EA		
20	0880865316	SHEET	2	EA		
24	1654011948	WASHER (polycarbonate type)	4	EA		
24	1654011948	WASHER (polycarbonate type)	6	EA		
47	0698600194	CABLE, wire	1	EA		
52	0698600196	CLIP	12	EA		
53	0698600197	COVER	1	EA		
55	1120940630	BOLT (CAN USE PART # M6C35BHSCSB)	1	EA		
56	0698600198	HANDLE (OUTER)	1	EA		
57	1654011947	WASHER	3	EA		
58	1120940635	BOLT	3	EA		
59	1131243006	NUT	1	EA		
60	0698600216	PLATE	1	EA		
60	0698600199	RUBBER (polycarbonate type)	1	EA		
61	0698600257	BEZEL	1	EA		
61	0698600280	GASKET (polycarbonate type)	1	EA		
67	1150420616	SCREW, sems (polycarbonate type)	4	EA		
67	1150420616	SCREW, sems (polycarbonate type)	2	EA		
69	0698600204	CLIP	1	EA		
70	1654004006	RETAINER	1	EA		

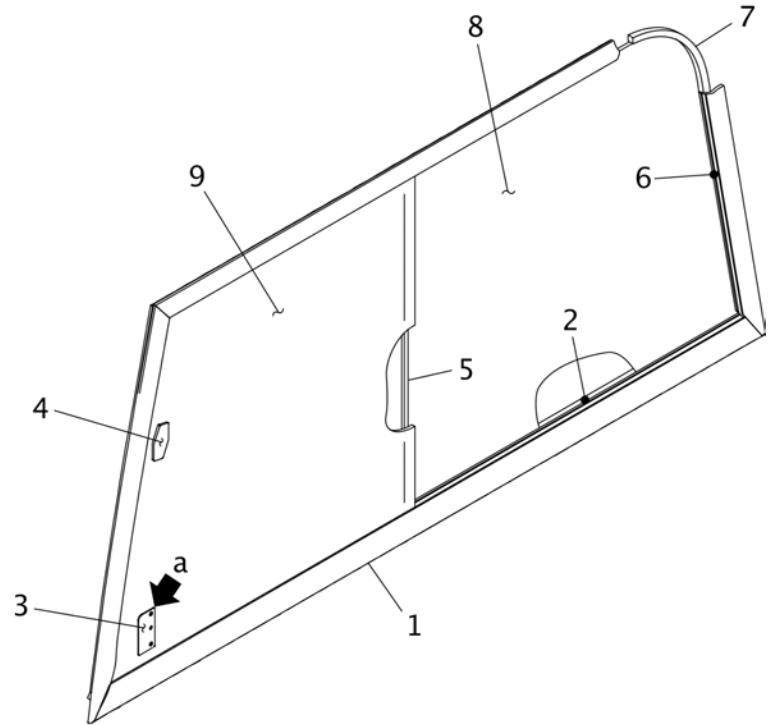
This page intentionally left blank

Item	Part No.	Name	Qty	Uom	Remarks	Serial Number
71	1654004007	PACKING	2	EA		
72	0698600205	WASHER	1	EA		
74	1150410512	SCREW, sems	1	EA		
75	0698600206	HANDLE ASSY, inner	1	EA		
79	1130140008	NUT (polycarbonate type)	2	EA		
82	0698600207	WASHER	2	EA		
85	0880865313	NUT	2	EA		
86	1150420620	SCREW	2	EA		
87	1130030005	NUT	4	EA		
88	1120530520	SCREW	1	EA		

COVER & CAB CAB (3/3) (for U.S.) (side sash)



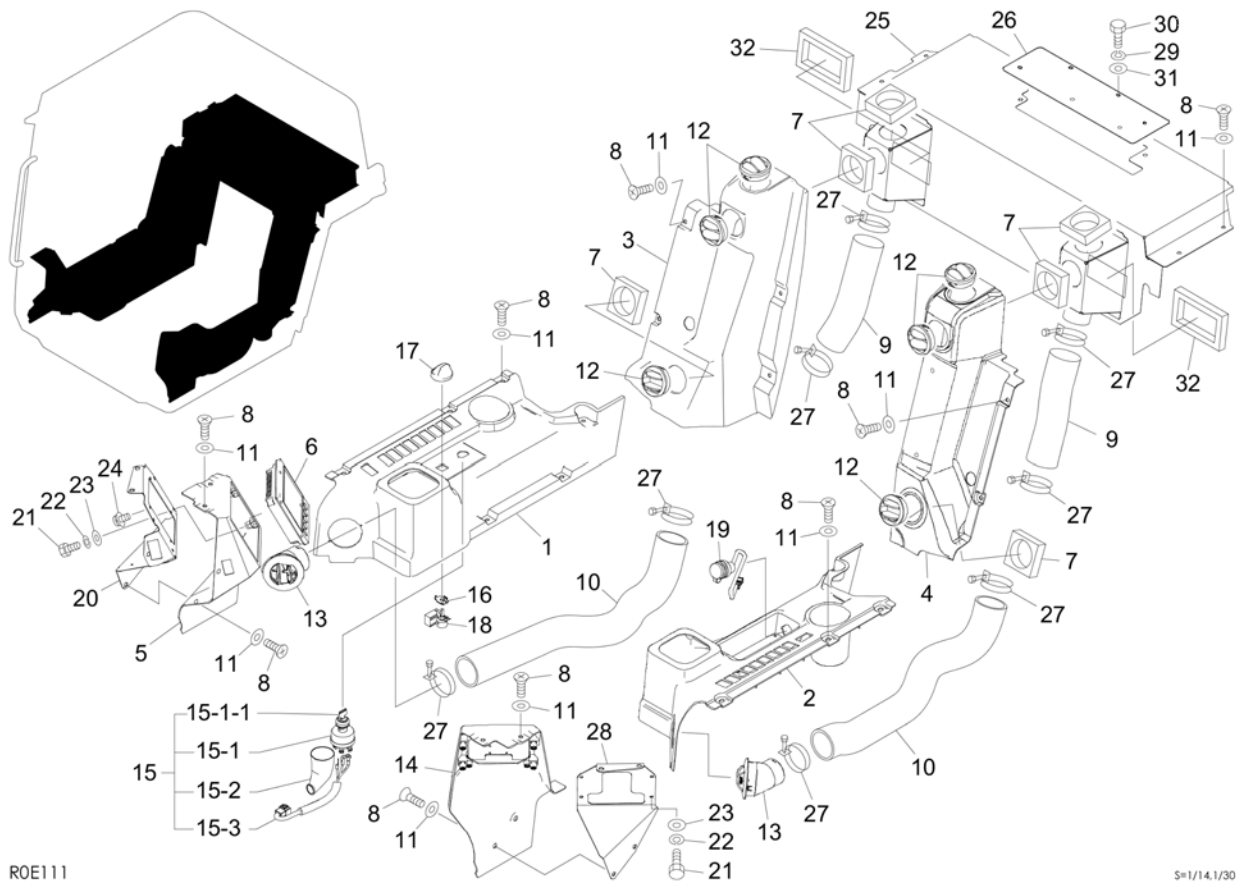
ROE240



S=1/6, 1/1

Item	Part No.	Name	Qty	Uom	Remarks	Serial Number
0	0698600258	SASH ASSY, side (L.H.)	1	EA		
0	0698600291	SIDE SASH ASSY (R.H.)	1	EA		
1	0698600260	FRAME (L.H.)	1	EA		
1-1	0698600269	FRAME (R.H.)	1	EA		
2	0698600261	RAIL (L.H.)	1	EA		
2-1	0698600270	RAIL (R.H.)	1	EA		
3	0698600262	LOCK ASSY (L.H.)	1	EA		
3-1	0698600271	LOCK ASSY (R.H.)	1	EA		
4	0698600263	LOCK	1	EA		
5	0698600264	SEAL	1	EA		
6	0698600265	SEAL	1	EA		
7	0698600266	STOPPER	1	EA		
8	0698600267	GLASS (L.H.)	1	EA		
8-1	0698600272	GLASS (R.H.)	1	EA		
9	0698600268	GLASS (L.H.)	1	EA		
9-1	0698600273	GLASS (R.H.)	1	EA		

COVER & CAB CAB INTERIOR



ROE111

S=1/14.1/30

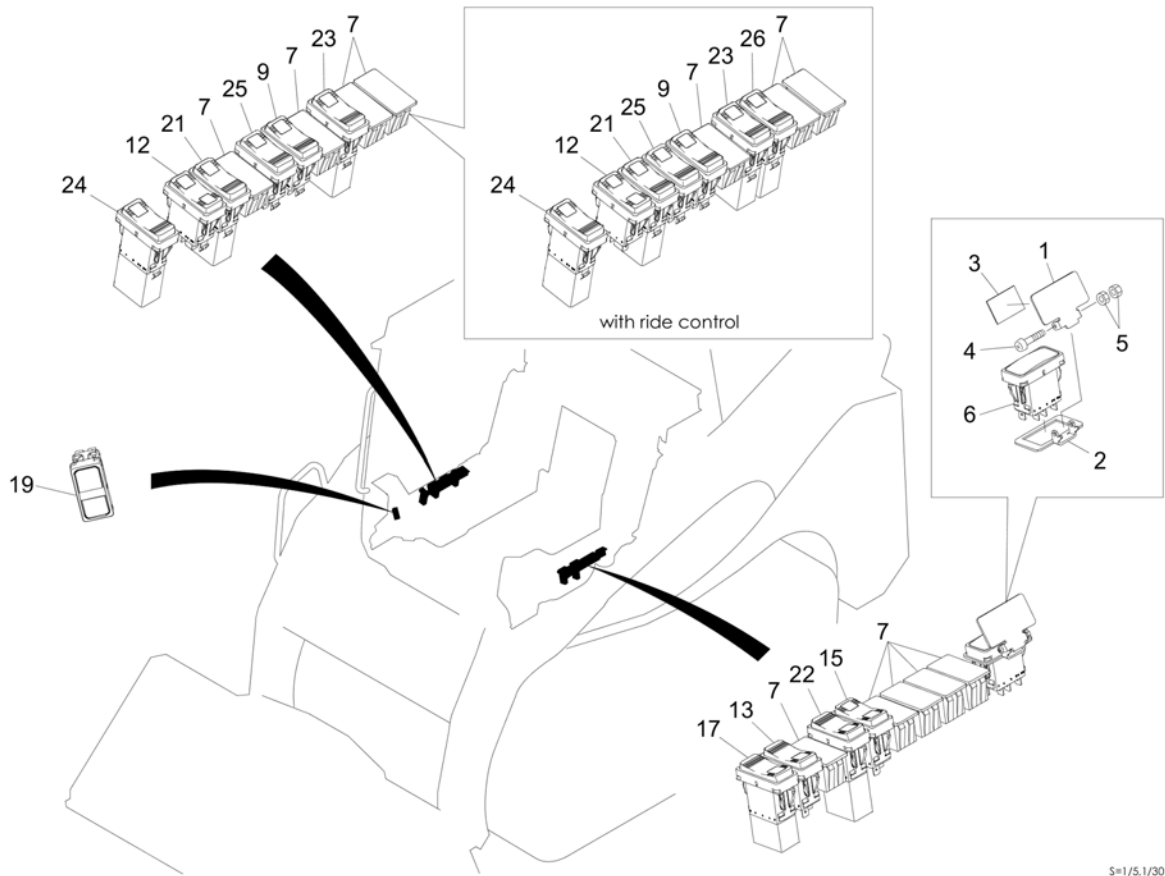
285
MODEL: TL12V2

Item	Part No.	Name	Qty	Uom	Remarks	Serial Number
-	PNNA	CAB INTERIOR ASSY		EA		
-	PNNA	CAB INTERIOR ASSY (with the rear view camera)		EA		
1	0688600072	COVER (R.H.)	1	EA		
2	0688600073	COVER (L.H.)	1	EA		
3	0688600076	COVER	1	EA		
4	0688600077	COVER (L.H.)	1	EA		
5	0688600074	COVER (R.H.)	1	EA		
6	1730143660	CLUSTER	1	EA		
6	1730143661	DISPLAY (with the rear view camera)	1	EA	with the rear view camera	
7	0688600100	SPONGE	6	EA		
8	1120790620	SCREW	32	EA		
9	1566165027	HOSE	2	EA		
10	1566165070	HOSE	2	EA		
11	1652900016	WASHER	32	EA		
12	1911506012	LOUVER	6	EA		
13	1911510003	LOUVER	2	EA		
14	0688600075	COVER, side (L.H.)	1	EA		
15	*****	SWITCH ASSY, starter	1	EA		
15-1	1700100072	SWITCH, starter (KEY)	1	EA		
15-1-1	1700100019	KEY (QTY 2 = 1 KEYS)	1	EA		
15-2	0870431821	COVER	1	EA		
15-3	0334340191	HARNES ASSY	1	EA		
16	0694300270	BRACKET	1	EA		
17	1700000059	KNOB	1	EA		
18	1700000066	RESISTOR ASSY	1	EA		
19	1711900520	SOCKET ASSY	1	EA		
20	0688600078	PLATE	1	EA		
21	1100050616	BOLT (10TM6 X 16 P/1.0)	8	EA		
22	1140020006	WASHER, spring	8	EA		
23	1141110006	WASHER	8	EA		
24	1150420410	SCREW, sems	4	EA		
25	0688600050	COVER	1	EA		
26	0698600127	COVER	1	EA		
27	1533001065	BAND	8	EA		
28	0688600081	PLATE	1	EA		
29	1140090006	WASHER, spring	4	EA		
30	1100090616	BOLT	4	EA		
31	1141190006	WASHER	4	EA		

This page intentionally left blank

Item	Part No.	Name	Qty	Uom	Remarks	Serial Number
32	0688600098	SPONGE	2	EA		

COVER & CAB SWITCH (cab)

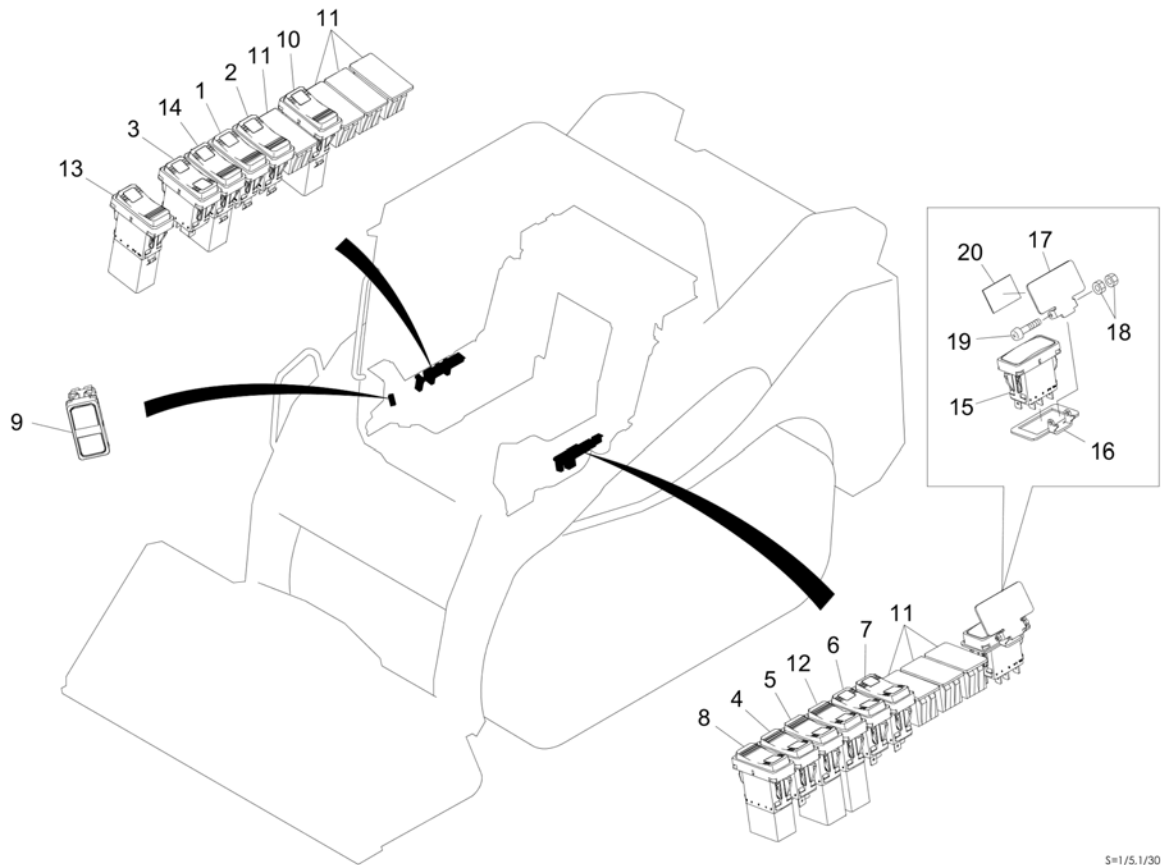


ROE131

S=1/5.1/30

Item	Part No.	Name	Qty	Uom	Remarks	Serial Number
-	PNNA	SWITCH ASSY		EA		
-	PNNA	SWITCH ASSY (with ride control)		EA		
1	0664300110	COVER	1	EA		
2	0664300120	COVER	1	EA		
3	0664300140	RUBBER	1	EA		
4	1120530330	SCREW	1	EA		
5	1130030003	NUJ	2	EA		
6	1700008080	SWITCH (quick hitch)	1	EA	quick hitch	
7	1700008129	PLUG	9	EA		
7	1700008129	PLUG	8	EA		
9	1700008210	SWITCH (window washer)	1	EA	window washer	
12	1700008232	SWITCH (DPF)	1	EA	DPF	
13	1700008250	SWITCH (detent)	1	EA	detent	
15	1700008253	SWITCH (14pin H-G select)	1	EA	14pin H-G select	
17	1700008256	SWITCH (flow selector)	1	EA	flow selector	
19	1700008272	SWITCH, engine stop	1	EA	engine shutdown	
21	1700008299	SWITCH (light)	1	EA	light	
22	1700008293	SWITCH (self level)	1	EA	self level	
23	1700008286	SWITCH (ECO)	1	EA	ECO	
24	1700008294	SWITCH (operation)	1	EA	operation	
25	1700008200	SWITCH (wiper)	1	EA	wiper	
26	1700008287	SWITCH (ride control)	1	EA	ride control	

COVER & CAB SWITCH (cab) (high flow)

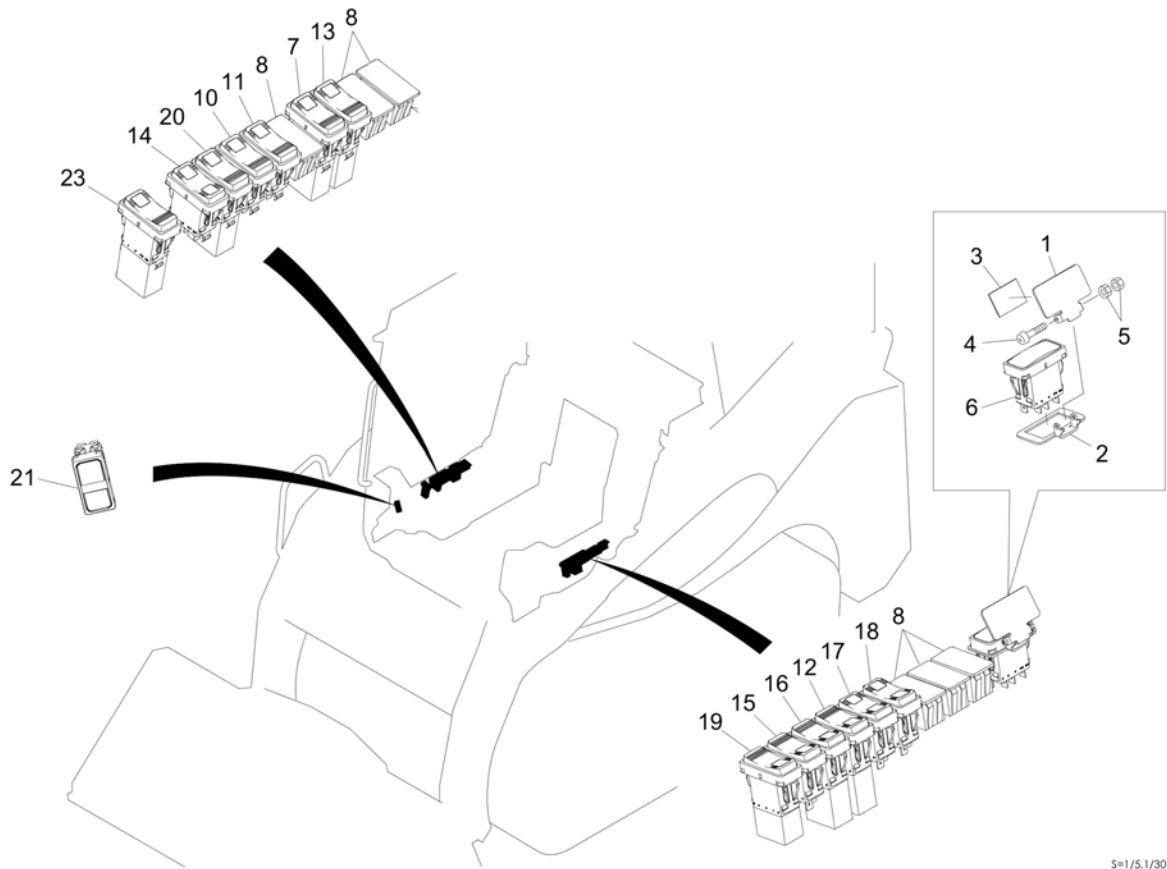


ROE150

S=1/5.1/30

Item	Part No.	Name	Qty	Uom	Remarks	Serial Number
-	PNNA	SWITCH ASSY		EA		
1	1700008200	SWITCH (wiper)	1	EA	wiper	
2	1700008210	SWITCH (window washer)	1	EA	window washer	
3	1700008232	SWITCH (DPF)	1	EA	DPF	
4	1700008250	SWITCH (detent)	1	EA	detent	
5	1700008252	SWITCH (high flow)	1	EA	high flow	
6	1700008253	SWITCH (14pin H-G select)	1	EA	14pin H-G select	
7	1700008254	SWITCH (Aux. 2nd-14 pin select)	1	EA	Aux. 2nd-14pin select	
8	1700008256	SWITCH (flow selector)	1	EA	flow selector	
9	1700008272	SWITCH, engine stop	1	EA	engine shutdown	
10	1700008286	SWITCH (ECO)	1	EA	ECO	
11	1700008129	PLUG	7	EA		
12	1700008293	SWITCH (self level)	1	EA	self level	
13	1700008294	SWITCH (operation)	1	EA	operation	
14	1700008299	SWITCH (light)	1	EA	light	
15	1700008080	SWITCH (quick hitch)	1	EA	quick hitch	
16	0664300120	COVER	1	EA		
17	0664300110	COVER	1	EA		
18	1130030003	NUIT	2	EA		
19	1120530330	SCREW	1	EA		
20	0664300140	RUBBER	1	EA		

COVER & CAB SWITCH (cab) (high flow) (with ride control)

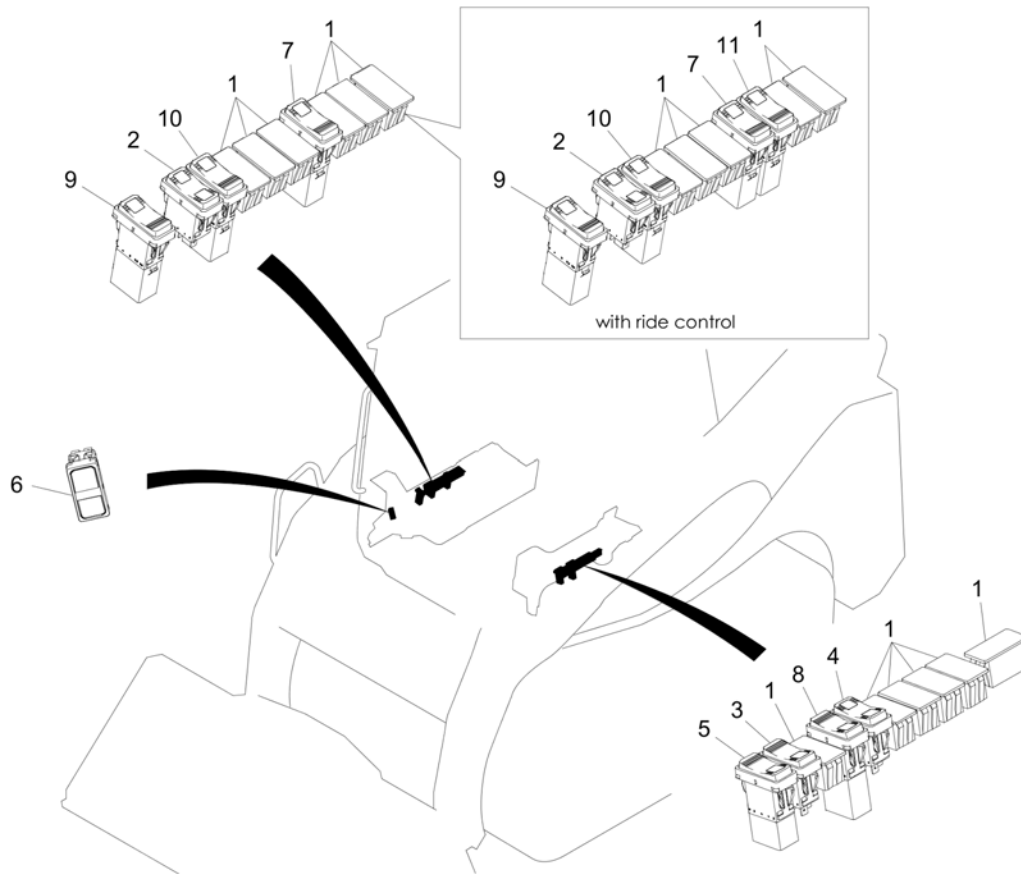


ROE121

S=1/5.1/30

Item	Part No.	Name	Qty	Uom	Remarks	Serial Number
-	PNNA	SWITCH ASSY		EA		
1	0664300110	COVER	1	EA		
2	0664300120	COVER	1	EA		
3	0664300140	RUBBER	1	EA		
4	1120530330	SCREW	1	EA		
5	1130030003	NUT	2	EA		
6	170008080	SWITCH (quick hitch)	1	EA	quick hitch	
7	170008286	SWITCH (ECO)	1	EA	ECO	
8	170008129	PLUG	6	EA		
10	170008200	SWITCH (wiper)	1	EA	wiper	
11	170008210	SWITCH (window washer)	1	EA	window washer	
12	170008293	SWITCH (self level)	1	EA	self level	
13	170008287	SWITCH (ride control)	1	EA	ride control	
14	170008232	SWITCH (DPF)	1	EA	DPF	
15	170008250	SWITCH (detent)	1	EA	detent	
16	170008252	SWITCH (high flow)	1	EA	high flow	
17	170008253	SWITCH (14pin H-G select)	1	EA	14pin H-G select	
18	170008254	SWITCH (Aux. 2nd-14 pin select)	1	EA	Aux. 2nd-14pin select	
19	170008256	SWITCH (flow selector)	1	EA	flow selector	
20	170008299	SWITCH (light)	1	EA	light	
21	170008272	SWITCH, engine stop	1	EA	engine shutdown	
23	170008294	SWITCH (operation)	1	EA	operation	

COVER & CAB SWITCH (canopy)

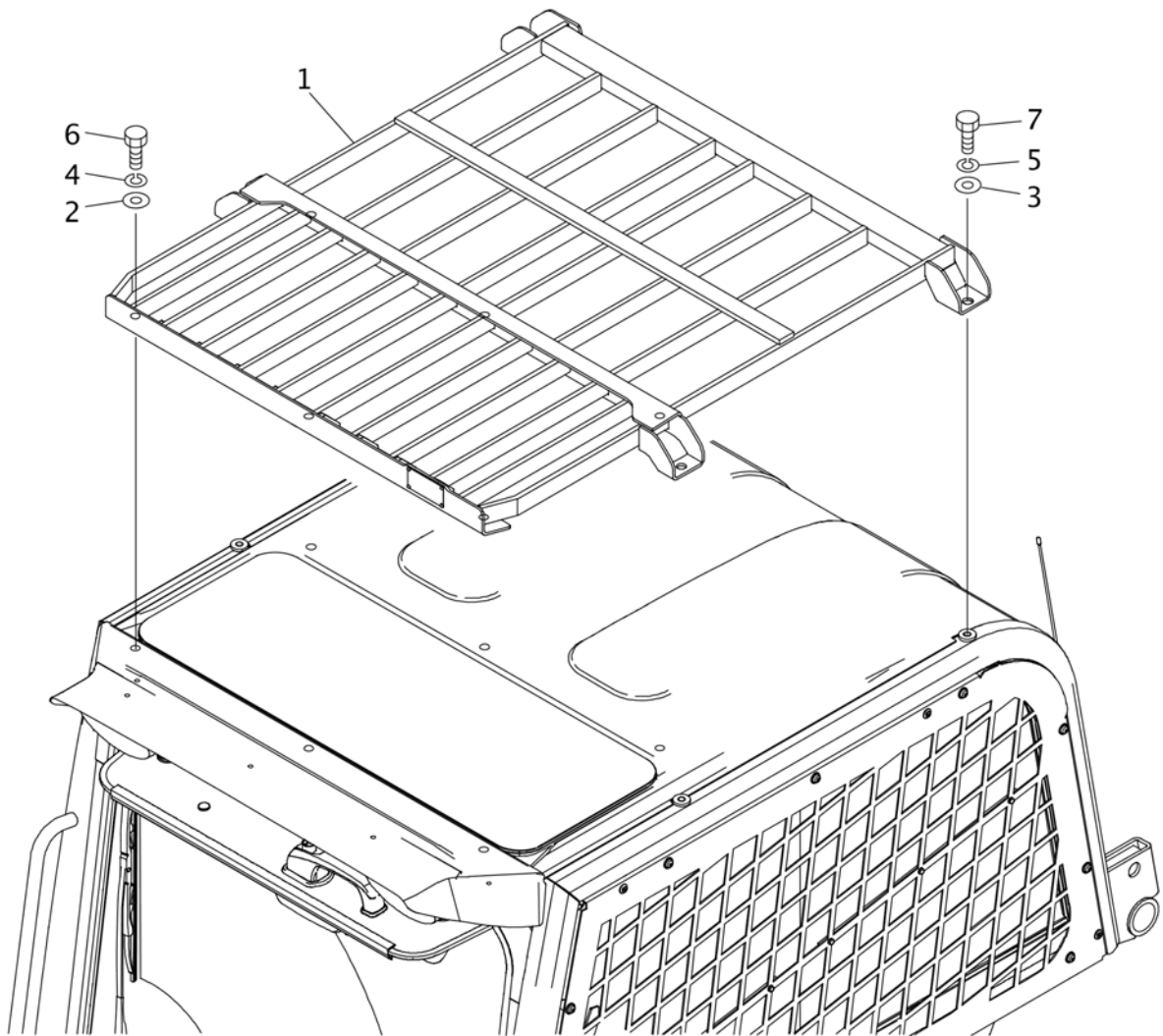


ROE141

S=1/5.1/30

Item	Part No.	Name	Qty	Uom	Remarks	Serial Number
-	PNNA	SWITCH ASSY		EA		
-	PNNA	SWITCH ASSY (with ride control)		EA		
1	1700008129	PLUG	12	EA		
1	1700008129	PLUG	11	EA		
2	1700008232	SWITCH (DPF)	1	EA	DPF	
3	1700008250	SWITCH (detent)	1	EA	detent	
4	1700008253	SWITCH (14pin H-G select)	1	EA	14pin H-G select	
5	1700008256	SWITCH (flow selector)	1	EA	flow selector	
6	1700008272	SWITCH, engine stop	1	EA	engine shutdown	
7	1700008286	SWITCH (ECO)	1	EA	ECO	
8	1700008293	SWITCH (self level)	1	EA	self level	
9	1700008294	SWITCH (operation)	1	EA	operation	
10	1700008299	SWITCH (light)	1	EA	light	
11	1700008287	SWITCH (ride control)	1	EA	ride control	

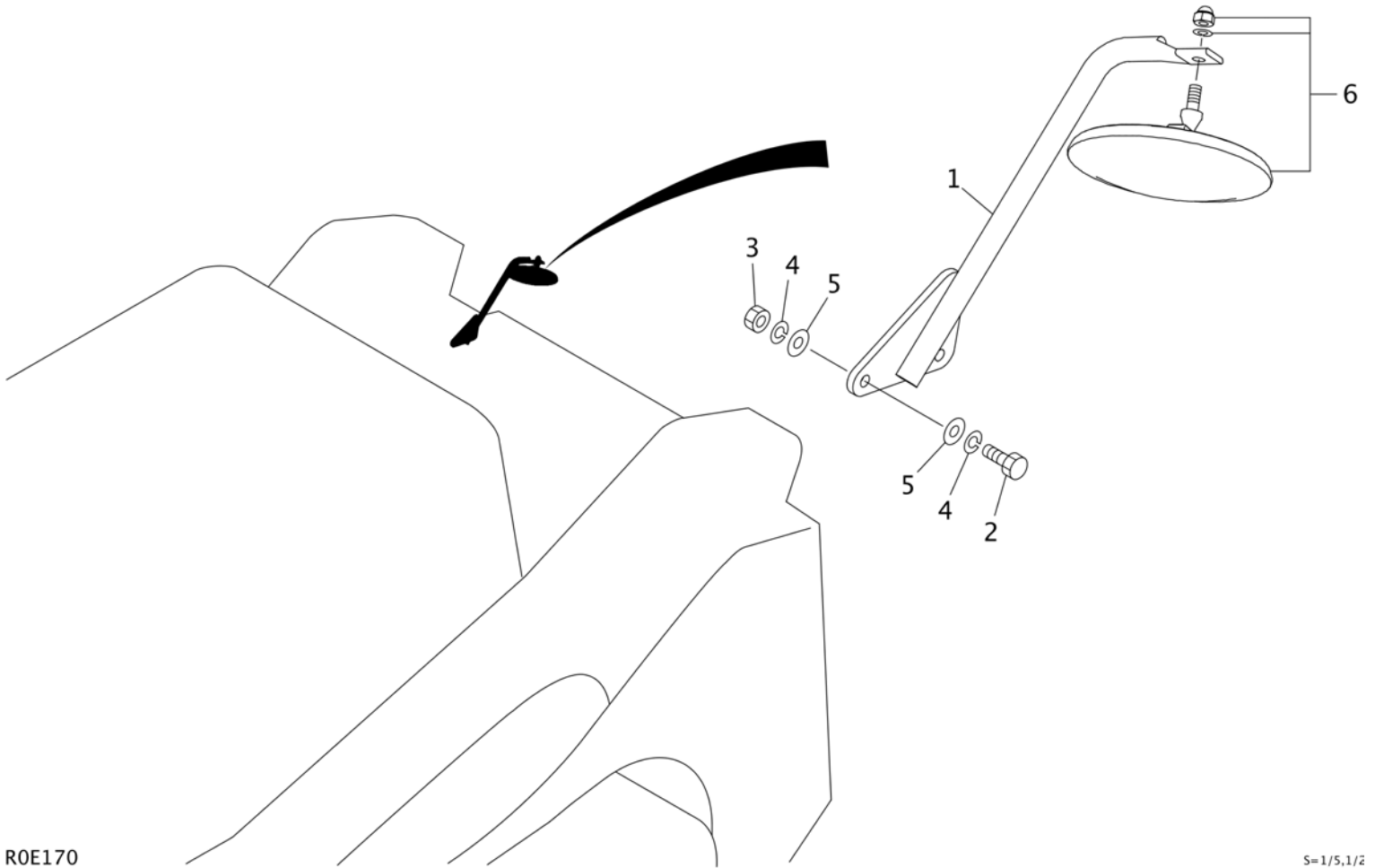
COVER & CAB ROOF GUARD



ROE160

S=1/1

Item	Part No.	Name	Qty	Uom	Remarks	Serial Number
-	PNNA	GUARD ASSY, roof		EA		
1	0698600158	GUARD, roof	1	EA		
2	1141110008	WASHER	6	EA		
3	1141110012	WASHER	4	EA		
4	1140020008	WASHER, spring	6	EA		
5	1140020012	WASHER, spring (12MM)	4	EA		
6	1100050820	BOLT (10TM8 X 20 P/1.25)	6	EA		
7	1100051225	BOLT (10TM12 X 25 P/1.75)	4	EA		

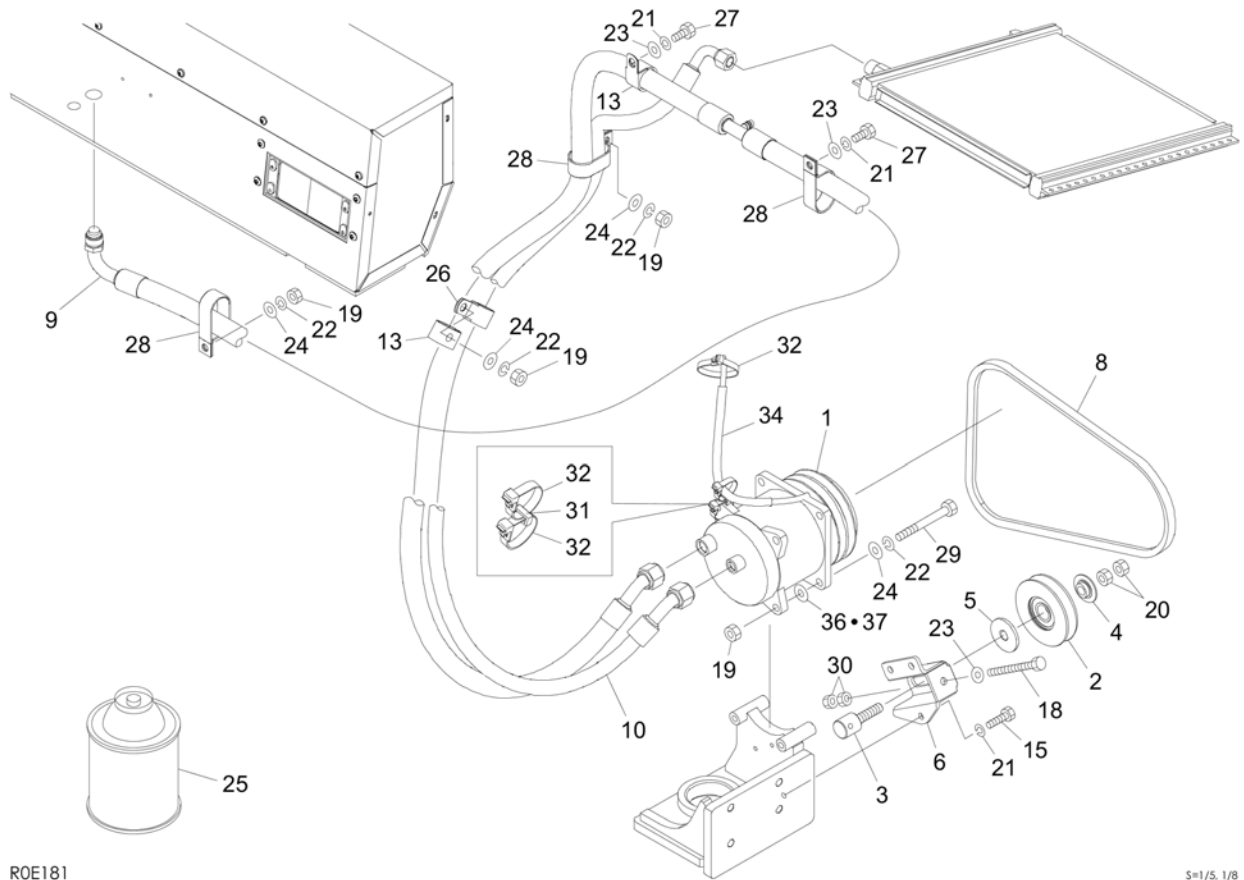


ROE170

S=1/5,1/2

Item	Part No.	Name	Qty	Uom	Remarks	Serial Number
Not Shown	PNNA	MIRROR ASSY, rear		EA		
1	0698700010	STAY	1	EA		
2	1100050830	BOLT (10TM8 X 30 P/1.25)	2	EA		
3	1130140008	NUT (polycarbonate type)	2	EA		
4	1140020008	WASHER, spring	4	EA		
5	1141110008	WASHER	4	EA		
6	1656500130	MIRROR	1	EA		

COVER & CAB AIR CONDITIONER (1/4) (compressor)



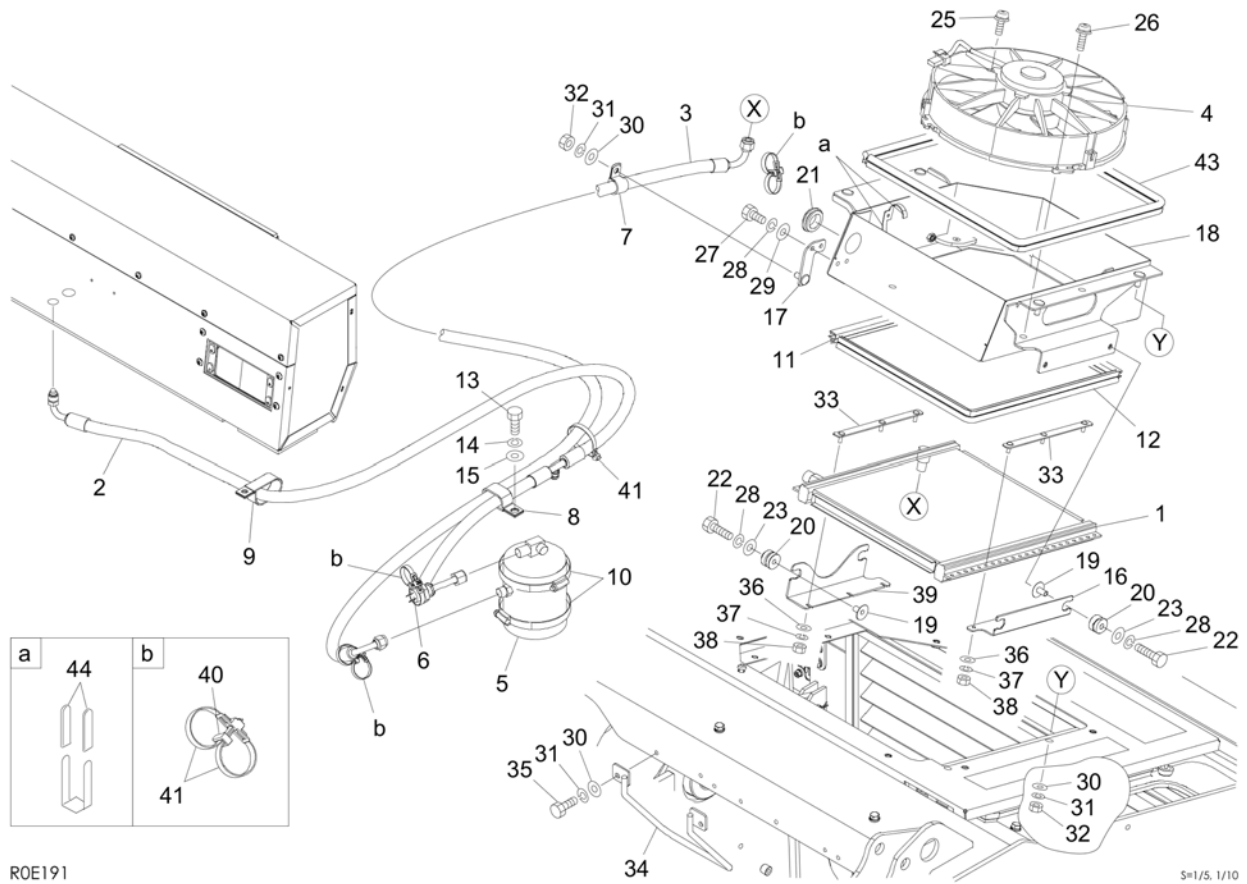
ROE181

S=1/5, 1/8

301
MODEL: TL12V2

Item	Part No.	Name	Qty	Uom	Remarks	Serial Number
0-1	0694600007	COMPRESSOR ASSY	1	EA		
1	1911506010	COMPRESSOR (SANDEN SD5H09)	1	EA		
2	0564634880	V-PULLEY	1	EA		
3	0564626010	SHAFT	1	EA		
4	0564634890	COLLAR	1	EA		
5	0564634895	COLLAR	1	EA		
6	0664603020	BRACKET	1	EA		
8	1621073038	V-BELT (38")	1	EA		
9	1911516209	HOSE	1	EA		
9	1911512066	O-RING	2	EA		
10	1911516208	HOSE ASSY (8) (COMP TO COND)	1	EA		
10	1911505602	O-RING	2	EA		
13	1711900072	CLAMP	2	EA		
15	1100050820	BOLT (10TM8 X 20 P/1.25)	3	EA		
18	1100440810	BOLT	1	EA		
19	1130240010	NUT	5	EA		
20	1130140012	NUT	2	EA		
21	1140020008	WASHER, spring	5	EA		
22	1140020010	WASHER, spring	5	EA		
23	1141110008	WASHER	3	EA		
24	1141110010	WASHER, plain	5	EA		
25	*****	GAS	8	EA	not service	
26	0007300001	CLAMP	1	EA		
27	1100050825	BOLT (10TM8 X 25 P/1.25)	2	EA		
28	0007300065	CLAMP	3	EA		
29	1103141005	BOLT	2	EA		
30	1130050008	NUT	2	EA		
31	1652200010	RING	1	EA		
32	1652201005	BAND	3	EA		
34	1703210700	TUBE (SOLD BY THE METER)	1	EA		
36	0003600222	SHIM (t=0.2)	1	EA	t=0.2mm	
37	0003600223	SHIM (t=0.3mm)	1	EA	t=0.3mm	

COVER & CAB AIR CONDITIONER (2/4) (condenser)



ROE191

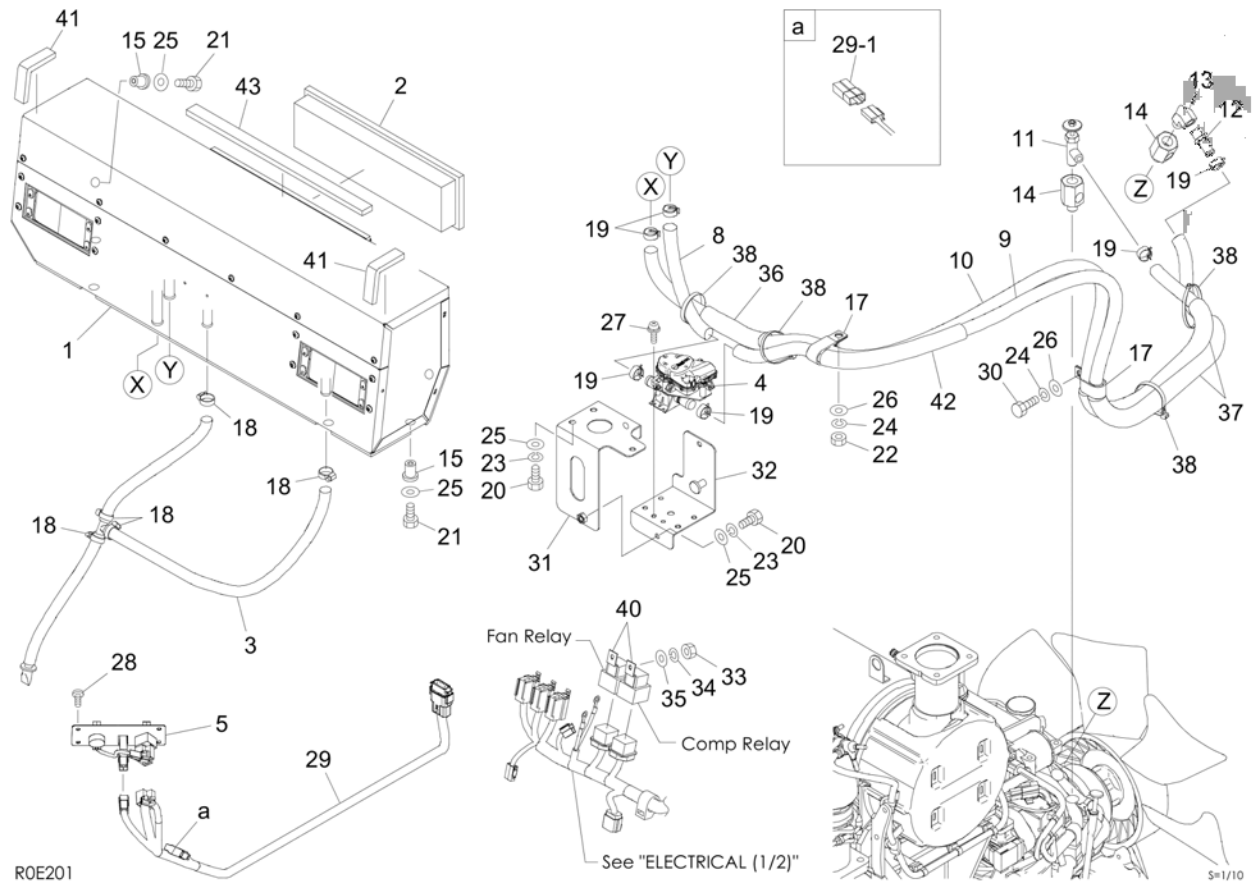
S=1/5, 1/10

Item	Part No.	Name	Qty	Uom	Remarks	Serial Number
0-2	0694600033	CONDENSER ASSY	1	EA		
1	1911505503	CONDENSER	1	EA		
2	1911516210	HOSE ASSY (#6 DRIER TO TXV)	1	EA		
2	1911505601	O-RING	2	EA		
3	1911516207	HOSE ASSY (#6 COND TO DRIER)	1	EA		
3	1911505601	O-RING	2	EA		
4	1911506083	FAN (FOR MOTOR ASSY 12 INCH PUSHER)	1	EA		
5	1911508311	DRYER	1	EA		
6	1911505514	SWITCH, pressure (FOR DUAL FUNCTION PRESSURE)	1	EA		
7	1652900012	CLAMP	1	EA		
8	0007300055	CLAMP	1	EA		
9	0007300065	CLAMP	1	EA		
10	1533700113	BAND	2	EA		
11	1654605000	STRIP, weather (SOLD BY THE METER)	1	EA	sold by the meter	
12	1654606000	SEAL (SOLD BY THE METER)	1	EA	sold by the meter	
13	1100051025	BOLT (10TM10 X 25 P/1.5)	1	EA		
14	1140020010	WASHER, spring	1	EA		
15	1141110010	WASHER, plain	1	EA		
16	0694600064	PLATE	1	EA		
17	0694600042	BRACKET	1	EA		
18	0694600070	BRACKET	1	EA		
19	1911513022	BUSHING	4	EA		
20	1911513021	GROMMET	4	EA		
21	1652053200	GROMMET	1	EA		
22	1100050635	BOLT (10TM6 X 35 P/1.0)	4	EA		
23	0003606202	WASHER	4	EA		
25	1150420516	SCREW	1	EA		
26	1150410520	SCREW	3	EA		
27	1100050616	BOLT (10TM6 X 16 P/1.0)	2	EA		
28	1140020006	WASHER, spring	6	EA		
29	1141110006	WASHER	2	EA		
30	1141110008	WASHER	7	EA		
31	1140020008	WASHER, spring	7	EA		
32	1130050008	NUT	5	EA		
33	0694600061	BRACKET	2	EA		
34	0694600065	BRACKET	1	EA		

This page intentionally left blank

Item	Part No.	Name	Qty	Uom	Remarks	Serial Number
35	1100090816	BOLT	2	EA		
36	1141110004	WASHER	6	EA		
37	1140020004	WASHER, spring	6	EA		
38	1130030004	NUT	6	EA		
39	0694600071	PLATE	1	EA		
40	1652200010	RING	3	EA		
41	1652201005	BAND	7	EA		
43	1654606000	SEAL (SOLD BY THE METER)	1	EA	sold by the meter	
44	0872433150	TUBE	2	EA		

COVER & CAB AIR CONDITIONER (3/4) (air conditioner unit)



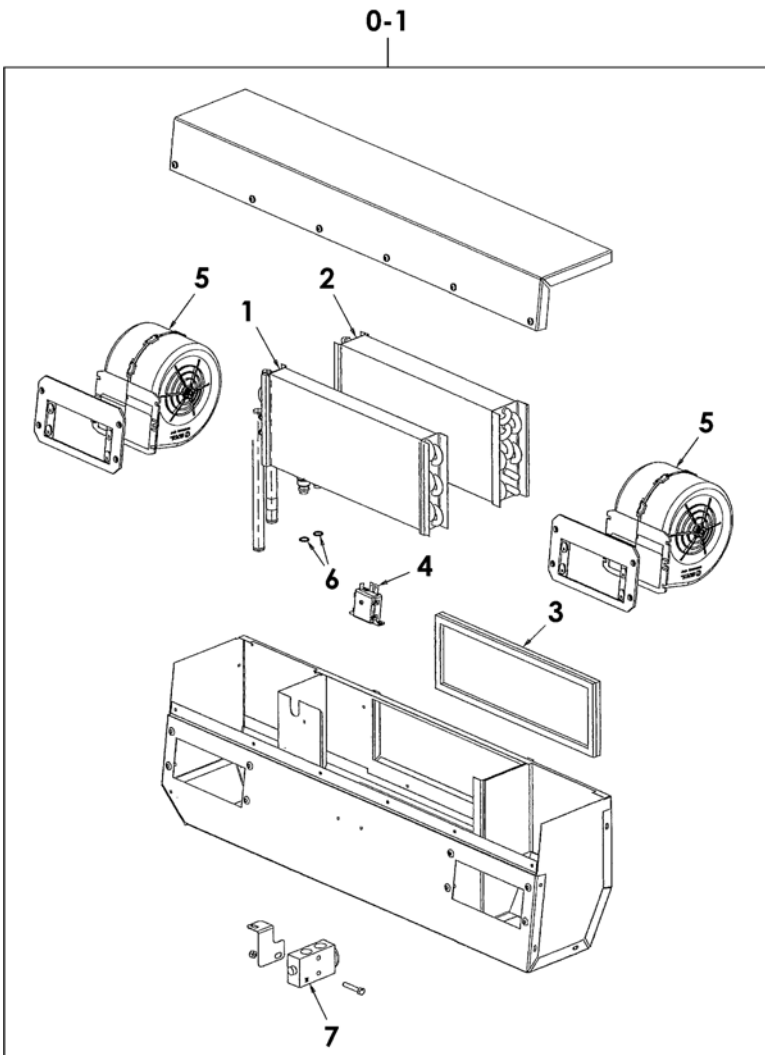
ROE201

S=1/10

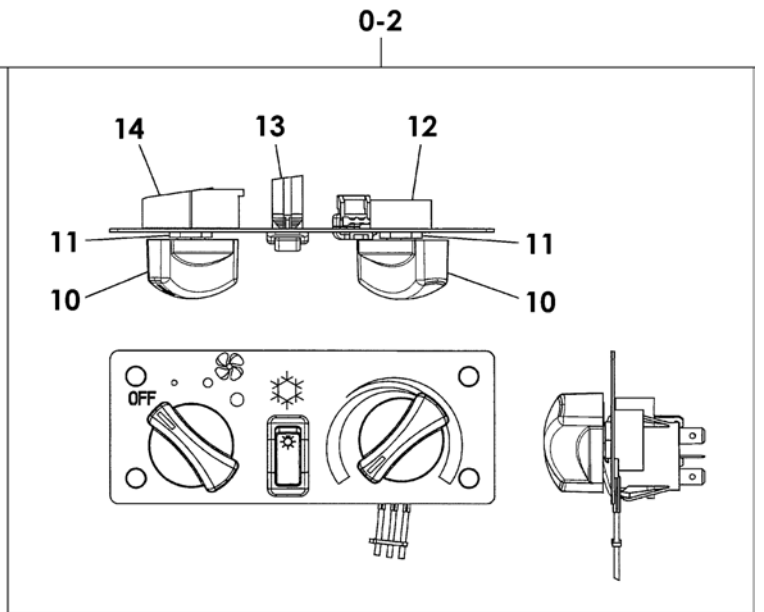
Item	Part No.	Name	Qty	Uom	Remarks	Serial Number
0-3	0694600009	UNIT ASSY, air conditioner	1	EA		
1	1911516300	UNIT, air conditioner	1	EA	see page (4/4)	
2	1911506052	FILTER	1	EA		
3	1911516306	HOSE	1	EA		
4	1911514870	VALVE	1	EA		
5	1911514840	PANEL ASSY (AIR CONDITIONER)	1	EA	see page (4/4)	
8	1911501800	HOSE, heater (SOLD BY THE METER)	1	EA	sold by the meter	
9	1911511800	HOSE, A/C (SOLD BY THE METER)	1	EA	sold by the meter	
10	1911515100	A/C HOSE (ORDER BY CM CUT)	1	EA	sold by the meter	
11	1911502100	VALVE	1	EA		
12	1911502200	NIPPLE	1	EA		
13	1501986526	ELBOW	1	EA		
14	0007261006	JOINT	2	EA		
15	1652520008	NUT	6	EA		
17	0007300055	CLAMP	2	EA		
18	1911500500	CLAMP	5	EA		
19	1533120020	BAND	6	EA		
20	1100090816	BOLT	5	EA		
21	1100050830	BOLT (10TM8 X 30 P/1.25)	6	EA		
22	1130240010	NUT	1	EA		
23	1140020008	WASHER, spring	5	EA		
24	1140020010	WASHER, spring	2	EA		
25	1141110008	WASHER	11	EA		
26	1141110010	WASHER, plain	2	EA		
27	1150420412	SCREW, sems	2	EA		
28	1111810610	SCREW	4	EA		
29	0694200094	HARNESS, wiring	1	EA		
29-1	1730500008	DIODE (3A YELLOW)	1	EA		
30	1100051025	BOLT (10TM10 X 25 P/1.5)	1	EA		
31	0694600057	BRACKET	1	EA		
32	0694600058	BRACKET	1	EA		
33	1130040006	NUT	2	EA		
34	1140020006	WASHER, spring	2	EA		
35	1141110006	WASHER	2	EA		
36	1531325000	PROTECTOR (SOLD BY THE METER)	1	EA	sold by the meter	
37	1531325042	PROTECTOR	2	EA	sold by the meter	

This page intentionally left blank

Item	Part No.	Name	Qty	Uom	Remarks	Serial Number
38	1652201007	BAND	4	EA		
40	1911506041	RELAY (12V)	2	EA		
41	1654302013	SPONGE	2	EA	sold by the meter	
42	1531325000	PROTECTOR (SOLD BY THE METER)	1	EA	sold by the meter	
43	1654353000	SPONGE (SOLD BY THE METER)	1	EA	sold by the meter	412000381~



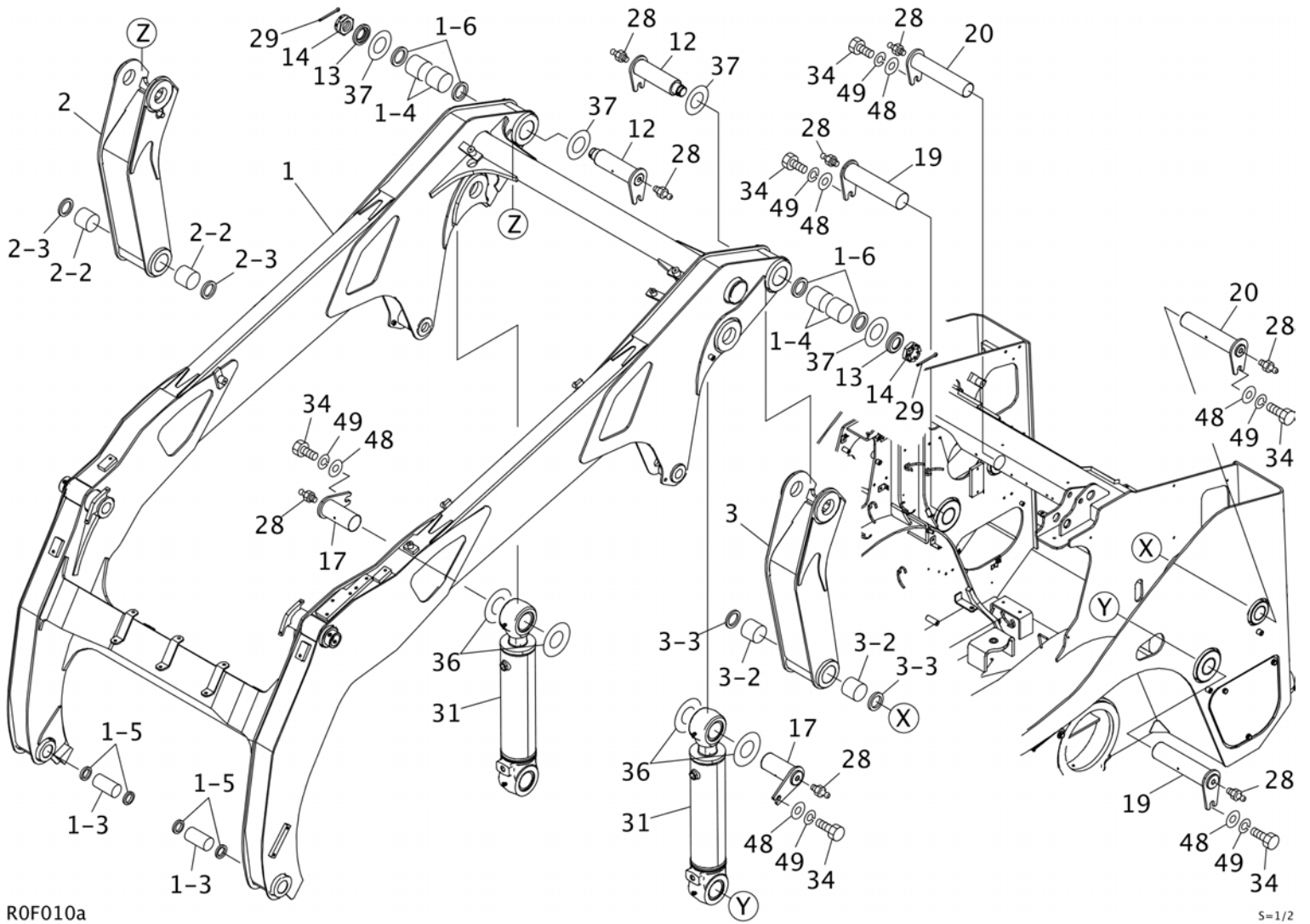
ROE210



S=free

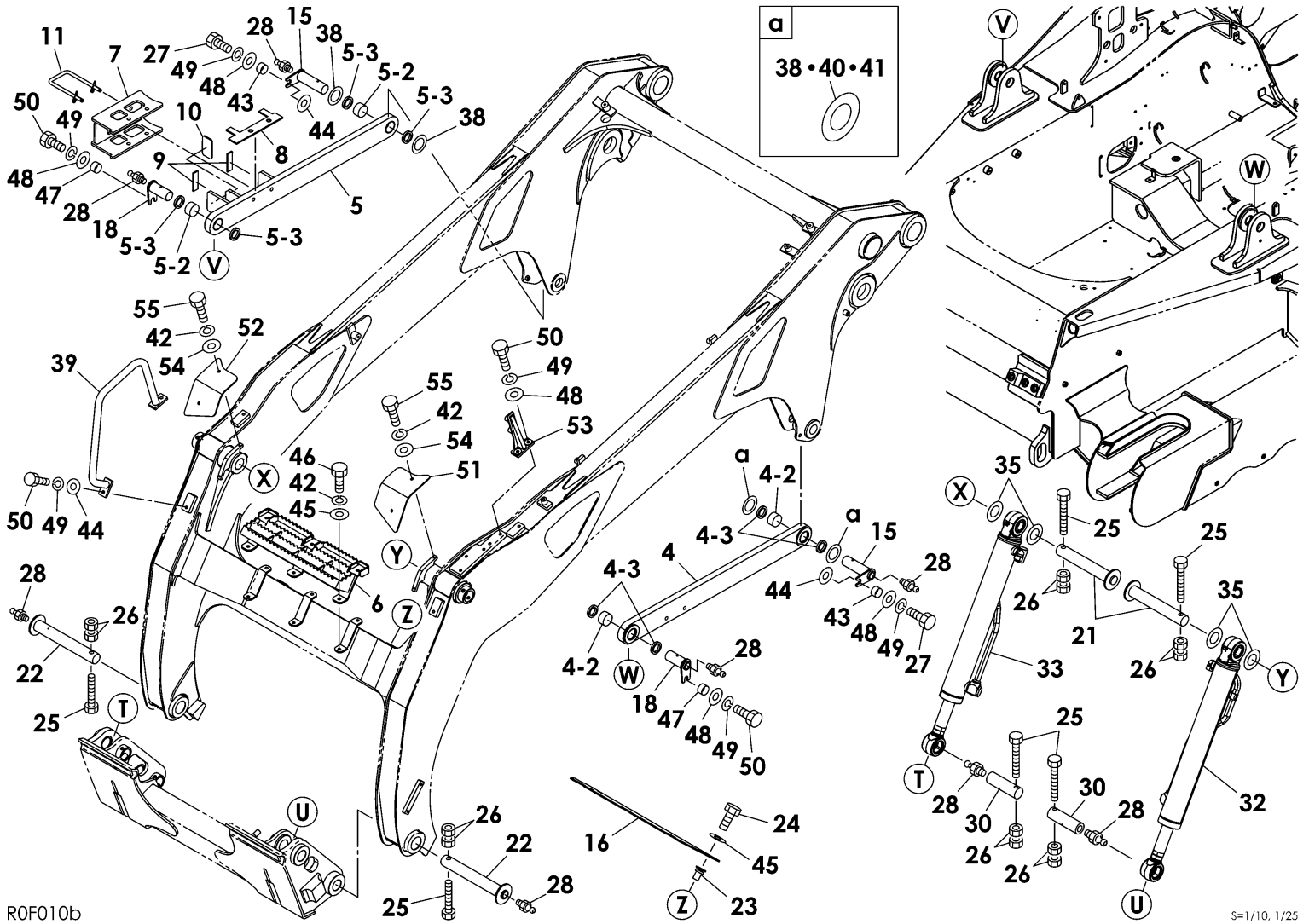
Item	Part No.	Name	Qty	Uom	Remarks	Serial Number
0-1	1911516300	UNIT, air conditioner	1	EA		
1	1903900211	CORE, heater	1	EA		
2	1903900212	CORE, evaporator	1	EA		
3	1903900213	FILTER	1	EA		
4	1903900214	THERMOSTAT	1	EA		
5	1911514416	MOTOR, blower	2	EA		
6	1911512067	O-RING	2	EA		
7	1911505422	VALVE, expansion	1	EA		
8	1903900125	HARNES ASSY, wiring	1	EA	NOT SHOWN	
0-2	1911514840	PANEL ASSY (AIR CONDITIONER)	1	EA		
10	1911505763	KNOB (AIR CONDITIONER)	2	EA		
11	1911514842	NUT	2	EA		
12	1911514843	POTENTIOMETER	1	EA		
13	1911514422	SWITCH, air conditioner (NEW STYLE)	1	EA		
14	1911509280	ROTARY SWITCH, 3-speed	1	EA		

ATTACHMENT ARM 1



Item	Part No.	Name	Qty	Uom	Remarks	Serial Number
-	PNNA	ARM ASSY		EA		
1	0696000219	ARM ASSY	1	EA		
1-3	0002400065	BUSHING (45X55X139)	2	EA		
1-4	0002400038	BUSHING (65X80X65)	4	EA		
1-5	1432200045	SEAL, dust	4	EA		
1-6	1432200065	SEAL, dust	4	EA		
2	0696000083	LIFT LINK (R.H.)	1	EA		
2-2	0002400078	BUSHING	2	EA		
2-3	1432200060	SEAL, dust	2	EA		
3	0696000082	LIFT LINK (L.H.)	1	EA		
3-2	0002400078	BUSHING	2	EA		
3-3	1432200060	SEAL, dust	2	EA		
12	0011908002	PIN	2	EA		
13	0566048080	WASHER	2	EA		
14	1132130045	NUT	2	EA		
17	0011909007	PIN	2	EA		
19	0011909006	PIN	2	EA		
20	0011907008	PIN	2	EA		
28	1560001000	FITTING, grease	16	EA		
29	1210010890	PIN, split	2	EA		
31	1900120200	CYLINDER ASSY, arm	2	EA		
34	1100051020	BOLT (10TM10 X 20 P/1.5)	6	EA		
36	0003600218	SHIM	1	EA	t=1.0mm	
37	0003600211	SHIM	1	EA	t=1.0mm	
48	0003600025	WASHER	12	EA		
49	1140020010	WASHER, spring	14	EA		

ATTACHMENT ARM 2



ROF010b

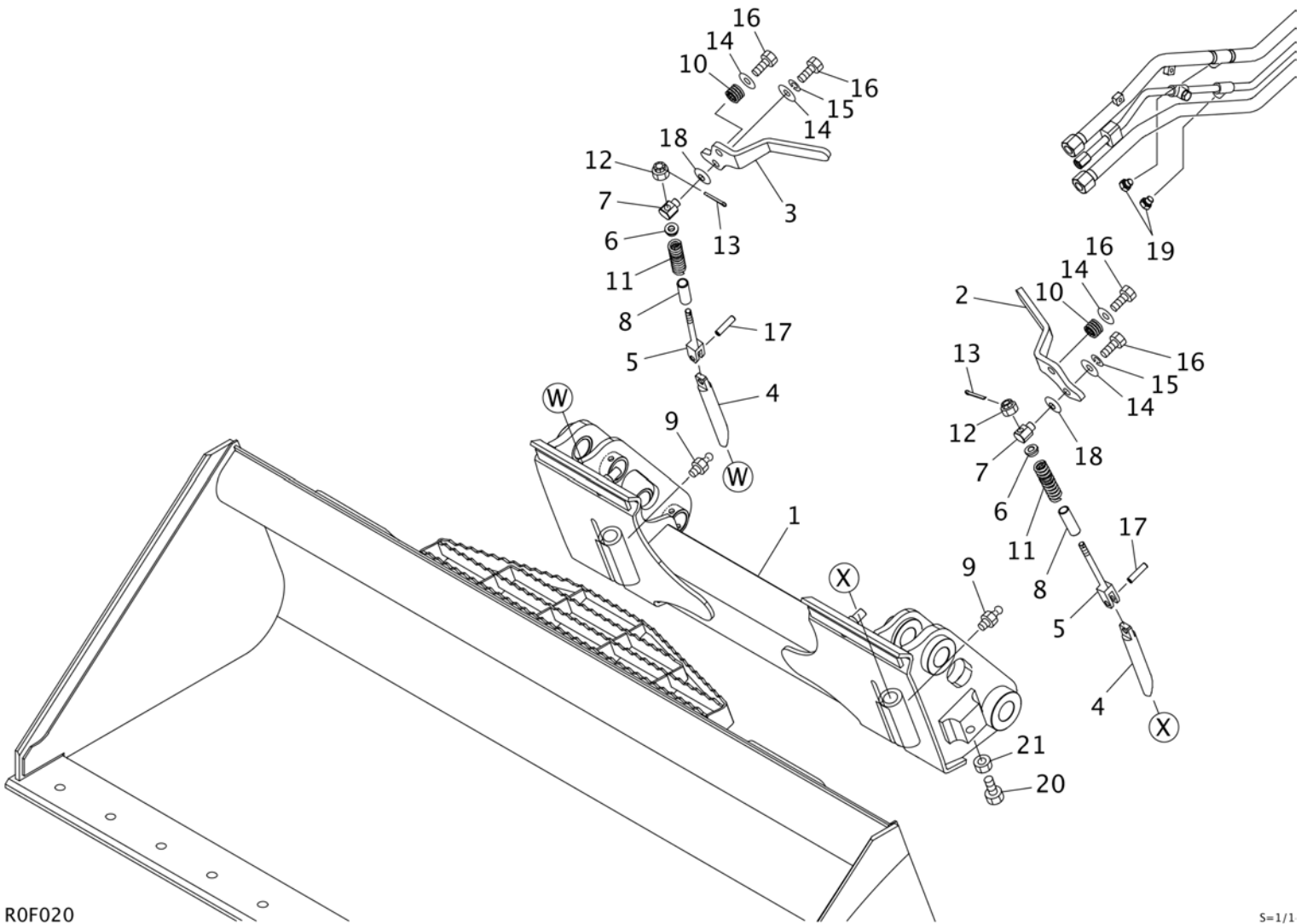
S=1/10, 1/25

Item	Part No.	Name	Qty	Uom	Remarks	Serial Number
2	0696000083	LIFT LINK (R.H.)	1	EA		
3	0696000082	LIFT LINK (L.H.)	1	EA		
4	0696000261	LINK, control (L.H.)	1	EA		
4-2	0002140025	BUSHING	2	EA		
4-3	1432200040	SEAL, dust	4	EA		
5	0696000266	LINK, control (R.H.)	1	EA		
5-2	0002140025	BUSHING	2	EA		
5-3	1432200040	SEAL, dust	4	EA		
6	0696000186	STEP	1	EA		
7	0696000209	LOCK	1	EA		
8	0696000273	RUBBER	1	EA		
9	0696000274	RUBBER	2	EA		
10	0696000275	CLAMP	1	EA		
11	0696000281	PIN ASSY	1	EA		
15	0011903012	PIN	2	EA		
16	0696000077	COVER	1	EA		
18	0011903011	PIN	2	EA		
21	0001090005	PIN	2	EA		
22	0001324501	PIN (ARM) (TRACK LOADERS)	2	EA		
23	1652520008	NUT	4	EA		
24	1100050830	BOLT (10TM8 X 30 P/1.25)	4	EA		
25	1103041085	BOLT (10.9 ZINC COATED M10 BY 90MM)	6	EA		
26	1130240010	NUT	12	EA		
27	1100051040	BOLT (10TM10 X 40 P/1.5)	2	EA		
28	1560001000	FITTING, grease	16	EA		
30	0001674002	PIN (ARM) (TRACK LOADERS)	2	EA		
32	1900120300	CYLINDER ASSY, bucket (L.H.)	1	EA		
33	1900120400	CYLINDER ASSY, bucket (R.H.)	1	EA		
35	0003600161	SHIM	1	EA	t=1.0mm	
38	0003600176	SHIM (t=1.0mm) (PLASTIC)	1	EA	t=1.0mm	
39	0696000270	HANDRAIL	1	EA		
40	0003600036	SHIM (METAL) (0.5MM)	1	EA	t=0.5mm	
41	0003600065	WASHER	1	EA		
42	1140020008	WASHER, spring	10	EA		
43	0003600275	COLLAR	2	EA		
44	1141110010	WASHER, plain	4	EA		

This page intentionally left blank

Item	Part No.	Name	Qty	Uom	Remarks	Serial Number
45	0003608003	WASHER (8/30 T/2.3)	10	EA		
46	1100050825	BOLT (10TM8 X 25 P/1.25)	6	EA		
47	0003600237	COLLAR	2	EA		
48	0003600025	WASHER	12	EA		
49	1140020010	WASHER, spring	14	EA		
50	1100051025	BOLT (10TM10 X 25 P/1.5)	6	EA		
51	0696000296	COVER	1	EA		
52	0696000297	COVER	1	EA		
53	0696000303	BRACKET	1	EA		
54	1141110008	WASHER	4	EA		
55	1100050820	BOLT (10TM8 X 20 P/1.25)	4	EA		

ATTACHMENT QUICK HITCH



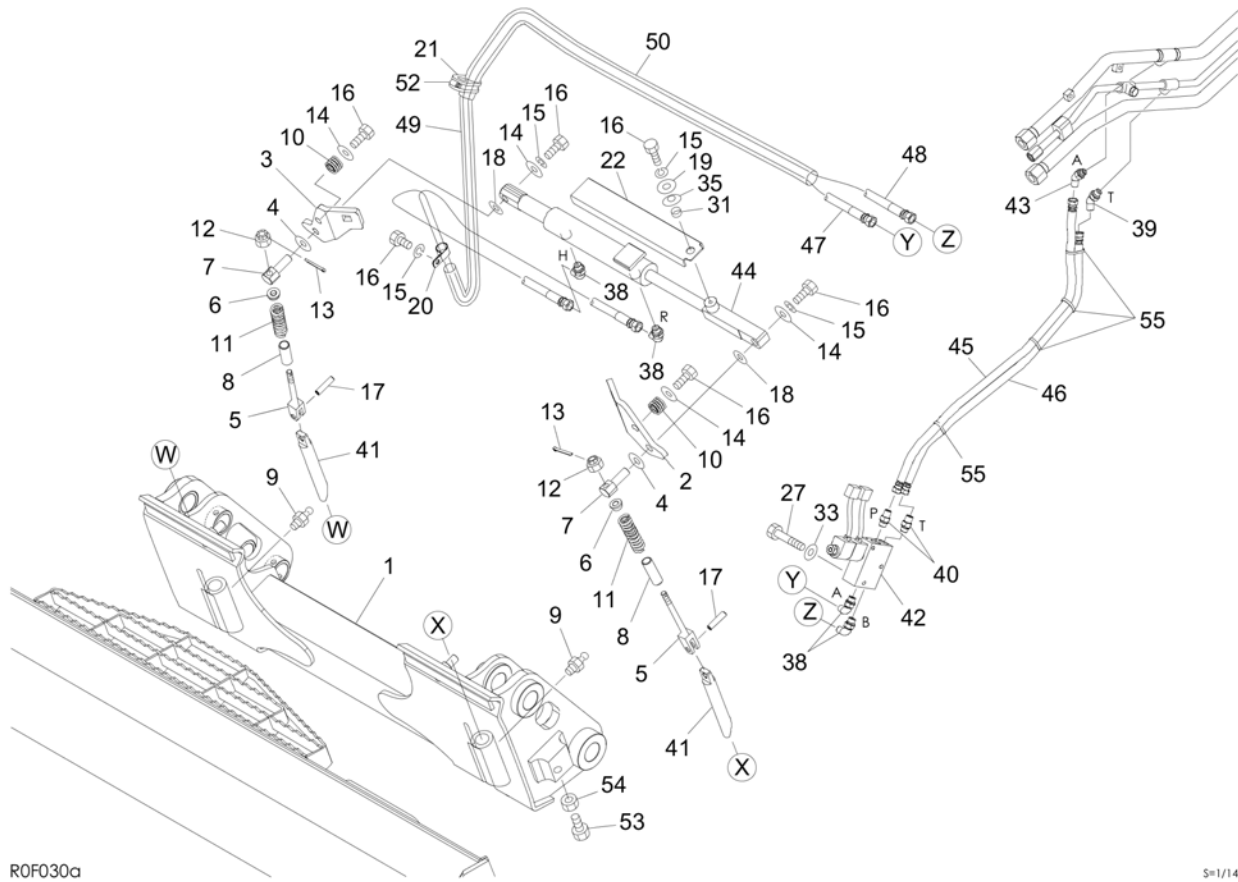
ROF020

S=1/1

319
MODEL: TL12V2

Item	Part No.	Name	Qty	Uom	Remarks	Serial Number
0	0696100008	HITCH ASSY, quick	1	EA		
1	0696100037	BRACKET	1	EA		
2	0881612040	LEVER (L.H.)	1	EA		TL130 SN 21300661-; ALL TL140 SN; TL150 SN 21500556-
3	0881612050	LEVER (R.H.)	1	EA		TL130 SN 21300661-; ALL TL140 SN; TL150 SN 21500556-
4	0881612150	PIN	2	EA		
5	0881612060	YOKE	2	EA		TL130 SN 21300661-; ALL TL140 SN; TL150 SN 21500556-
6	0881612070	WASHER	2	EA		
7	0880612070	PIN	2	EA		
8	0881612160	PIPE	2	EA		
9	1560001000	FITTING, grease	2	EA		
10	0007000016	SPRING (TL)	2	EA		
11	0007000119	SPRING	2	EA		
12	1132630012	NUT	2	EA		
13	1210013225	PIN, split	2	EA		
14	0003600025	WASHER	4	EA		
15	1140020010	WASHER, spring	2	EA		
16	1100051020	BOLT (10TM10 X 20 P/1.5)	4	EA		
17	1213001250	PIN, spring (M12 X 50)	2	EA		
18	1225120018	WASHER, conical	2	EA		
19	1501750002	PLUG (FOR O-RING USE # 1420010110)	2	EA		
19	1420010110	O-RING	1	EA		
20	1100042245	BOLT	2	EA		
21	1130040022	NUT	2	EA		

ATTACHMENT QUICK HITCH (hydraulic type) 1



ROF030a

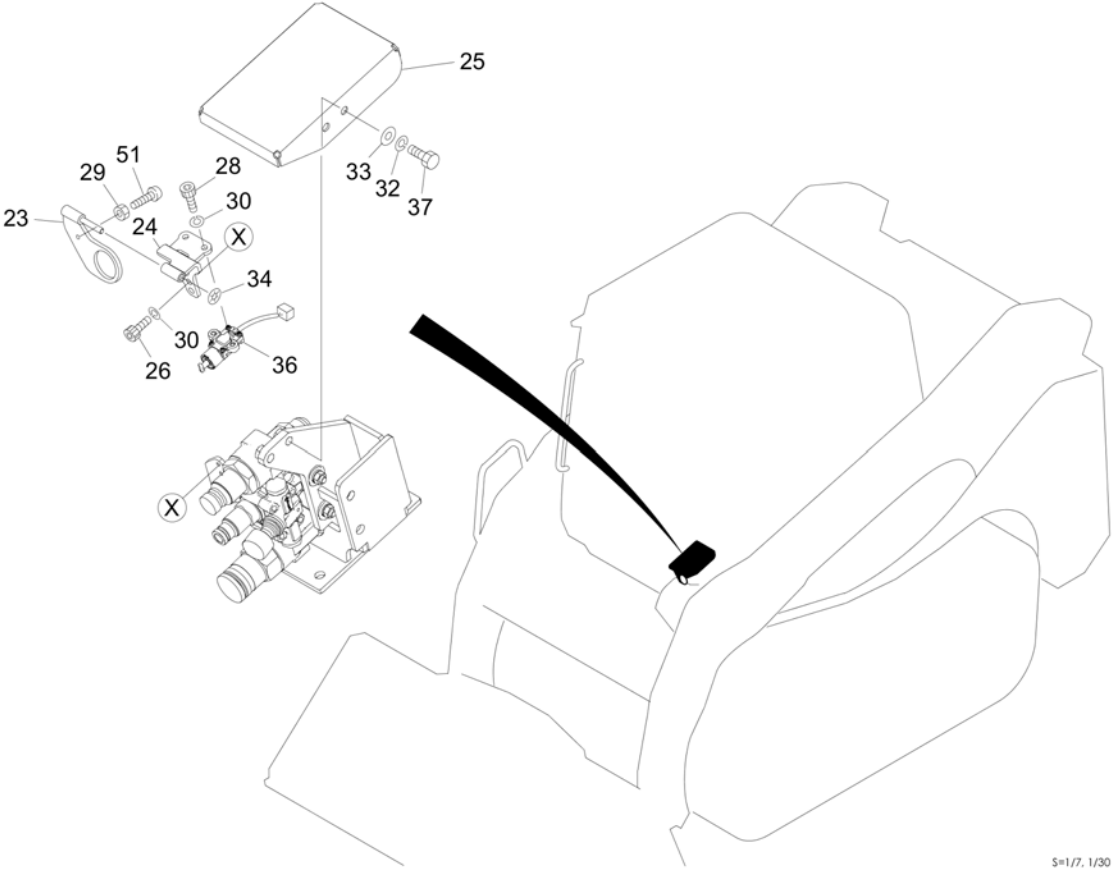
S=1/14

Item	Part No.	Name	Qty	Uom	Remarks	Serial Number
-	PNNA	HITCH ASSY, quick		EA		
1	0696100037	BRACKET	1	EA		
2	0666101590	PLATE (L.H.)	1	EA		
3	0666101600	PLATE (R.H.)	1	EA		
4	1225120018	WASHER, conical	2	EA		
5	0881612060	YOKE	2	EA		TL130 SN 21300661-; ALL TL140 SN; TL150 SN 21500556-
6	0881612070	WASHER	2	EA		
7	0666101080	PIN	2	EA		
8	0881612160	PIPE	2	EA		
9	1560001000	FITTING, grease	2	EA		
10	0007000016	SPRING (TL)	2	EA		
11	0007000119	SPRING	2	EA		
12	1132630012	NUT	2	EA		
13	1210013225	PIN, split	2	EA		
14	0003600025	WASHER	4	EA		
15	1140120010	WASHER, spring	4	EA		
16	1100041020	BOLT	6	EA		
17	1213001250	PIN, spring (M12 X 50)	2	EA		
18	0003600034	WASHER (20.5/30 L/3.2)	2	EA		
19	0003610002	WASHER	1	EA		
20	0007300001	CLAMP	1	EA		
21	0097210300	GUARD	1	EA		
22	0666101230	COVER	1	EA		
27	1100050850	BOLT (10TM8 X 50 P/1.25)	2	EA		
31	0003600228	COLLAR	1	EA		
33	1141110008	WASHER	4	EA		
35	1225121018	WASHER, conical	1	EA		
38	1515012040	ELBOW	4	EA		
38	1420010110	O-RING	1	EA		
39	1515102110	ELBOW	1	EA		
39	1420010110	O-RING	1	EA		
40	1515600200	ADAPTOR	2	EA		
40	1420010110	O-RING	1	EA		
41	0881612150	PIN	2	EA		
42	1901765400	VALVE, solenoid (1 BLOCK SOLENOID)	1	EA		
43	1512370012	ELBOW/ADAPTOR (with filter)	1	EA		
43	1420010110	O-RING	1	EA		

This page intentionally left blank

Item	Part No.	Name	Qty	Uom	Remarks	Serial Number
44	1900120500	CYLINDER, quick hitch	1	EA		
45	0696100025	HOSE ASSY	1	EA	18045-00084	
46	0696100026	HOSE ASSY	1	EA	18010-22076	
47	0696100014	HOSE ASSY	1	EA	18045-00243	
48	0696100015	HOSE ASSY	1	EA	18045-00213	
49	1531520075	PROTECTOR (SOLD BY THE METER)	1	EA	sold by the meter	
50	1531335000	PROTECTOR (SOLD BY THE METER)	1	EA	sold by the meter	
52	1533811065	BAND	1	EA		
53	1100042245	BOLT	2	EA		
54	1130040022	NUT	2	EA		
55	1652201005	BAND	4	EA		

ATTACHMENT QUICK HITCH (hydraulic type) 2

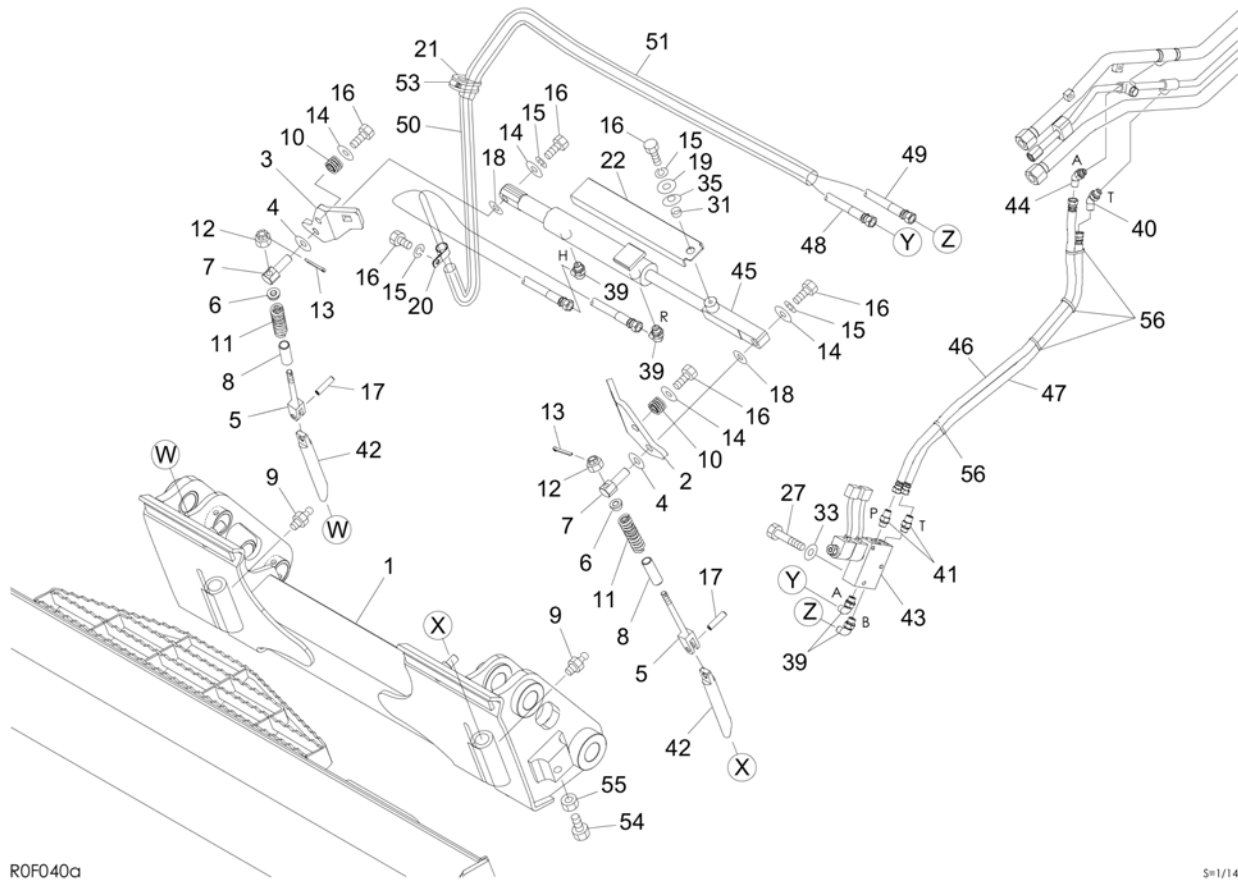


ROF031b

S=1/7, 1/30

Item	Part No.	Name	Qty	Uom	Remarks	Serial Number
23	0696105130	PLATE	1	EA		
24	0696105120	PLATE	1	EA		
25	0696100021	COVER	1	EA		
26	1110050612	BOLT, socket (10TM6 X 12 P/1.0)	2	EA		
28	1110050616	SCREW, cap	2	EA		
29	1130040006	NUT	1	EA		
30	1140020006	WASHER, spring	4	EA		
32	1140020008	WASHER, spring	2	EA		
33	1141110008	WASHER	4	EA		
34	1224100009	NUT	1	EA		
36	1700000043	SWITCH	1	EA		
37	1100050830	BOLT (10TM8 X 30 P/1.25)	2	EA		
51	1120530620	SCREW (PHILLIPS 4TM6 X 20 P/1.0 PAN)	1	EA		

ATTACHMENT QUICK HITCH (hydraulic type) (high flow) (with coupler) 1

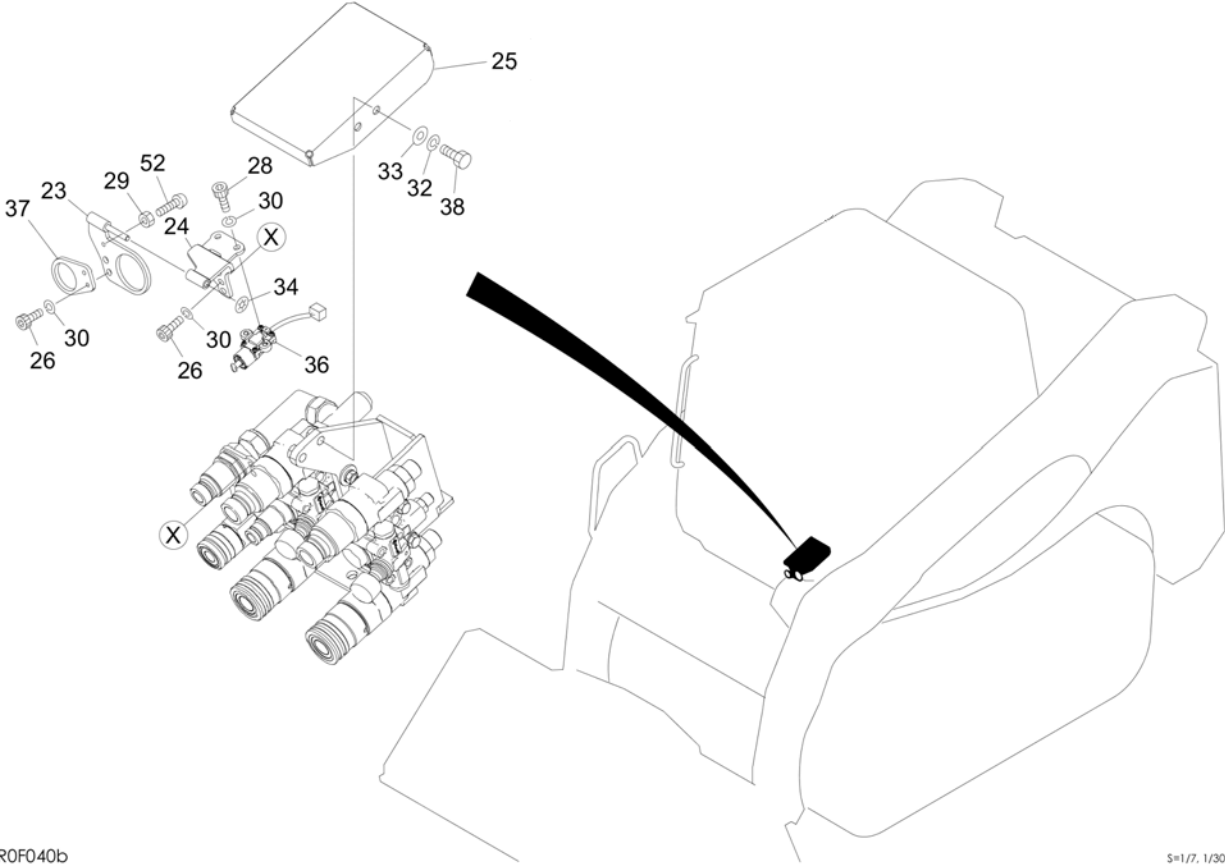


Item	Part No.	Name	Qty	Uom	Remarks	Serial Number
-	PNNA	HITCH ASSY, quick		EA		
1	0696100037	BRACKET	1	EA		
2	0666101590	PLATE (L.H.)	1	EA		
3	0666101600	PLATE (R.H.)	1	EA		
4	1225120018	WASHER, conical	2	EA		
5	0881612060	YOKE	2	EA		TL130 SN 21300661-; ALL TL140 SN; TL150 SN 21500556-
6	0881612070	WASHER	2	EA		
7	0666101080	PIN	2	EA		
8	0881612160	PIPE	2	EA		
9	1560001000	FITTING, grease	2	EA		
10	0007000016	SPRING (TL)	2	EA		
11	0007000119	SPRING	2	EA		
12	1132630012	NUT	2	EA		
13	1210013225	PIN, split	2	EA		
14	0003600025	WASHER	4	EA		
15	1140120010	WASHER, spring	4	EA		
16	1100041020	BOLT	6	EA		
17	1213001250	PIN, spring (M12 X 50)	2	EA		
18	0003600034	WASHER (20.5/30 L/3.2)	2	EA		
19	0003610002	WASHER	1	EA		
20	0007300001	CLAMP	1	EA		
21	0097210300	GUARD	1	EA		
22	0666101230	COVER	1	EA		
27	1100050850	BOLT (10TM8 X 50 P/1.25)	2	EA		
31	0003600228	COLLAR	1	EA		
33	1141110008	WASHER	4	EA		
35	1225121018	WASHER, conical	1	EA		
39	1515012040	ELBOW	4	EA		
39	1420010110	O-RING	1	EA		
40	1515102110	ELBOW	1	EA		
40	1420010110	O-RING	1	EA		
41	1515600200	ADAPTOR	2	EA		
41	1420010110	O-RING	1	EA		
42	0881612150	PIN	2	EA		
43	1901765400	VALVE, solenoid (1 BLOCK SOLENOID)	1	EA		
44	1512370012	ELBOW/ADAPTOR (with filter)	1	EA		
44	1420010110	O-RING	1	EA		

This page intentionally left blank

Item	Part No.	Name	Qty	Uom	Remarks	Serial Number
45	1900120500	CYLINDER, quick hitch	1	EA		412000006~412000518; 412000519~
46	0696100025	HOSE ASSY	1	EA	18045-00084	
47	0696100026	HOSE ASSY	1	EA	18010-22076	
48	0696100014	HOSE ASSY	1	EA	18045-00243	
49	0696100015	HOSE ASSY	1	EA	18045-00213	
50	1531520075	PROTECTOR (SOLD BY THE METER)	1	EA	sold by the meter	
51	1531335000	PROTECTOR (SOLD BY THE METER)	1	EA	sold by the meter	
53	1533811065	BAND	1	EA		
54	1100042245	BOLT	2	EA		
55	1130040022	NUT	2	EA		
56	1652201005	BAND	4	EA		

ATTACHMENT QUICK HITCH (hydraulic type) (high flow) (with coupler) 2

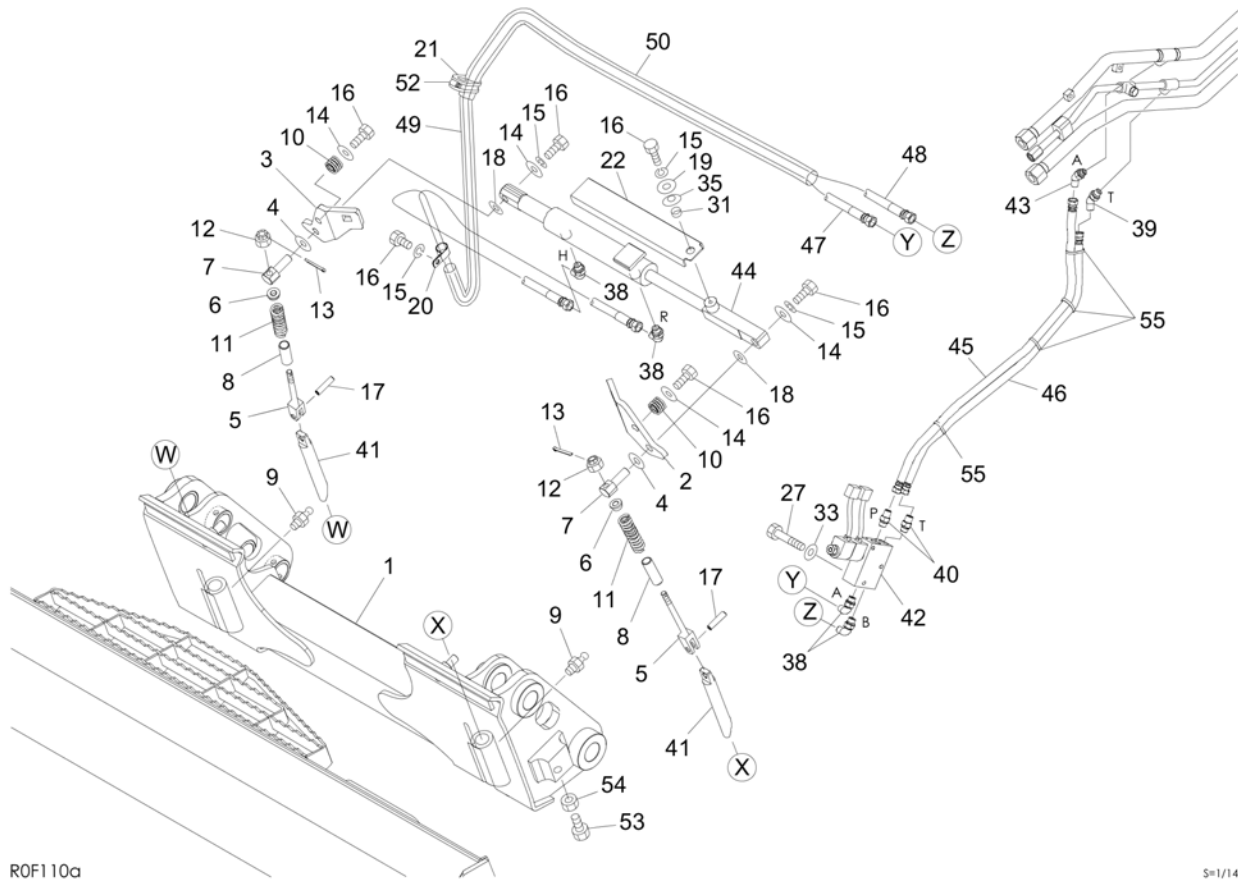


ROF040b

S=1/7, 1/30

Item	Part No.	Name	Qty	Uom	Remarks	Serial Number
23	0696104300	PLATE	1	EA		
24	0696104310	PLATE	1	EA		
25	0696100021	COVER	1	EA		
26	1110050612	BOLT, socket (10TM6 X 12 P/1.0)	4	EA		
28	1110050616	SCREW, cap	2	EA		
29	1130040006	NUT	1	EA		
30	1140020006	WASHER, spring	6	EA		
32	1140020008	WASHER, spring	2	EA		
33	1141110008	WASHER	4	EA		
34	1224100009	NUT	1	EA		
36	1700000043	SWITCH	1	EA		
37	0696104610	PLATE	1	EA		
38	1100050830	BOLT (10TM8 X 30 P/1.25)	2	EA		
52	1120530630	SCREW (4TM6 X 30 P/1.0)	1	EA		

ATTACHMENT QUICK HITCH (hydraulic type) (high flow) (with 3/4 coupler) 1



ROF110a

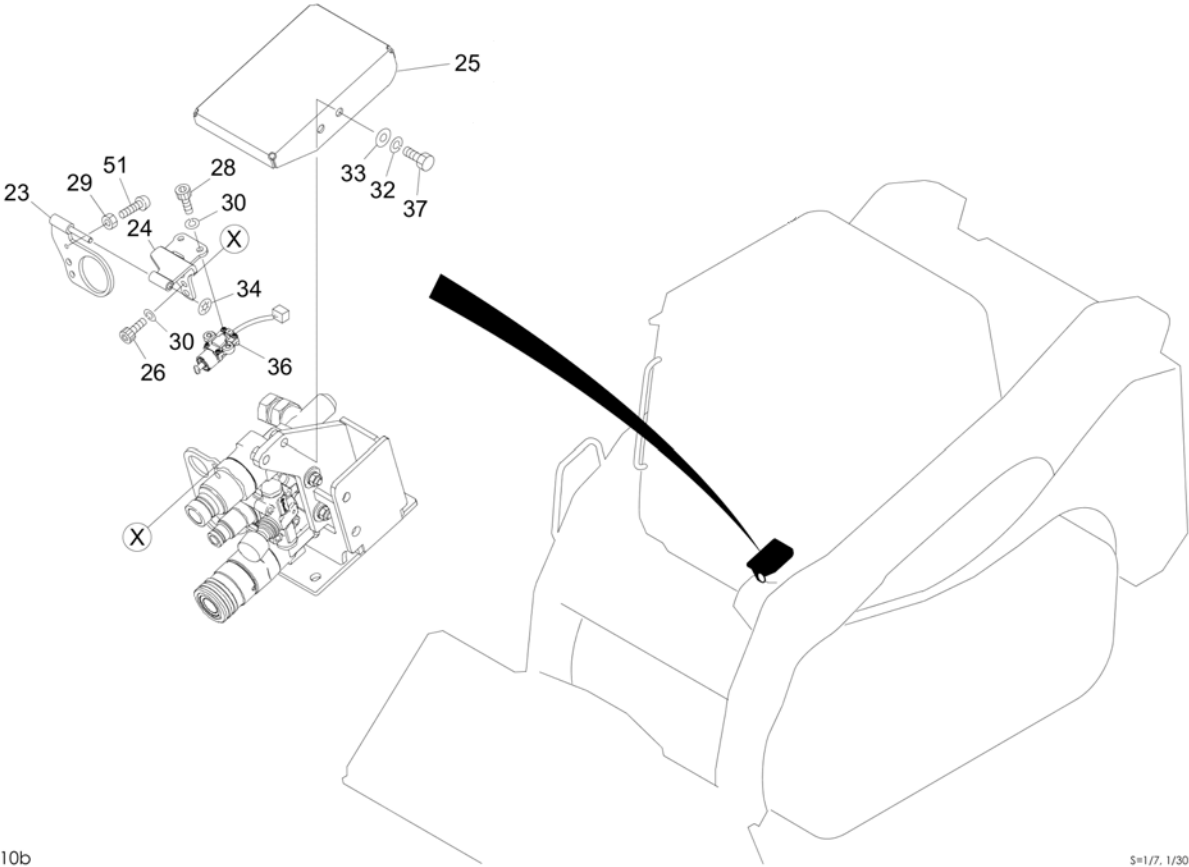
S=1/14

Item	Part No.	Name	Qty	Uom	Remarks	Serial Number
-	PNNA	HITCH ASSY, quick		EA		
1	0696100037	BRACKET	1	EA		
2	0666101590	PLATE (L.H.)	1	EA		
3	0666101600	PLATE (R.H.)	1	EA		
4	1225120018	WASHER, conical	2	EA		
5	0881612060	YOKE	2	EA		TL130 SN 21300661-; ALL TL140 SN; TL150 SN 21500556-
6	0881612070	WASHER	2	EA		
7	0666101080	PIN	2	EA		
8	0881612160	PIPE	2	EA		
9	1560001000	FITTING, grease	2	EA		
10	0007000016	SPRING (TL)	2	EA		
11	0007000119	SPRING	2	EA		
12	1132630012	NUT	2	EA		
13	1210013225	PIN, split	2	EA		
14	0003600025	WASHER	4	EA		
15	1140120010	WASHER, spring	4	EA		
16	1100041020	BOLT	6	EA		
17	1213001250	PIN, spring (M12 X 50)	2	EA		
18	0003600034	WASHER (20.5/30 L/3.2)	2	EA		
19	0003610002	WASHER	1	EA		
20	0007300001	CLAMP	1	EA		
21	0097210300	GUARD	1	EA		
22	0666101230	COVER	1	EA		
27	1100050850	BOLT (10TM8 X 50 P/1.25)	2	EA		
31	0003600228	COLLAR	1	EA		
33	1141110008	WASHER	4	EA		
35	1225121018	WASHER, conical	1	EA		
38	1515012040	ELBOW	4	EA		
38	1420010110	O-RING	1	EA		
39	1515102110	ELBOW	1	EA		
39	1420010110	O-RING	1	EA		
40	1515600200	ADAPTOR	2	EA		
40	1420010110	O-RING	1	EA		
41	0881612150	PIN	2	EA		
42	1901765400	VALVE, solenoid (1 BLOCK SOLENOID)	1	EA		
43	1512370012	ELBOW/ADAPTOR (with filter)	1	EA		
43	1420010110	O-RING	1	EA		

This page intentionally left blank

Item	Part No.	Name	Qty	Uom	Remarks	Serial Number
44	1900120500	CYLINDER, quick hitch	1	EA		
45	0696100025	HOSE ASSY	1	EA	18045-00084	
46	0696100026	HOSE ASSY	1	EA	18010-22076	
47	0696100014	HOSE ASSY	1	EA	18045-00243	
48	0696100015	HOSE ASSY	1	EA	18045-00213	
49	1531520075	PROTECTOR (SOLD BY THE METER)	1	EA	sold by the meter	
50	1531335000	PROTECTOR (SOLD BY THE METER)	1	EA	sold by the meter	
52	1533811065	BAND	1	EA		
53	1100042245	BOLT	2	EA		
54	1130040022	NUT	2	EA		
55	1652201005	BAND	4	EA		

ATTACHMENT QUICK HITCH (hydraulic type) (high flow) (with 3/4 coupler) 2

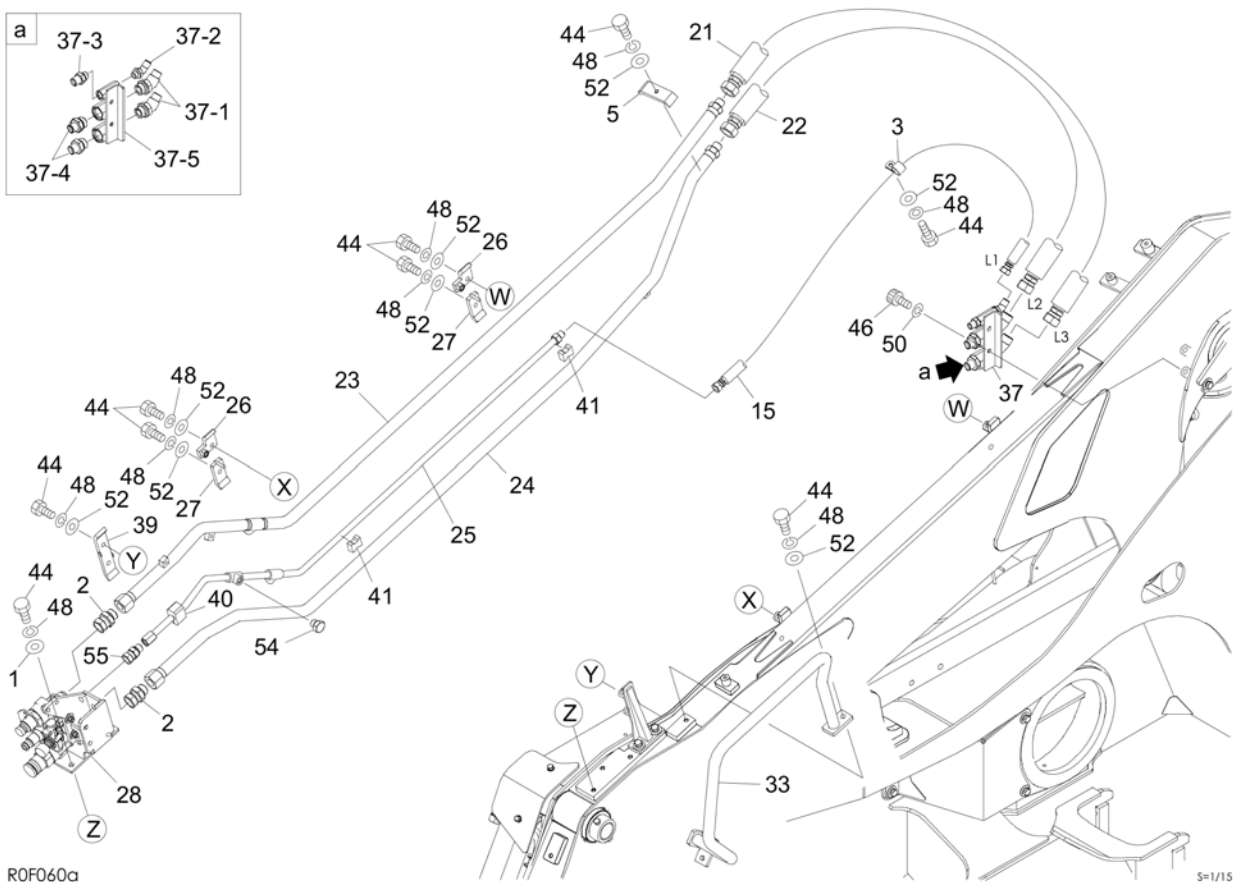
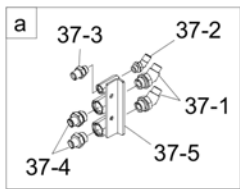


ROF110b

S=1/7, 1/30

Item	Part No.	Name	Qty	Uom	Remarks	Serial Number
23	0696104300	PLATE	1	EA		
24	0696104310	PLATE	1	EA		
25	0696100021	COVER	1	EA		
26	1110050612	BOLT, socket (10TM6 X 12 P/1.0)	2	EA		
28	1110050616	SCREW, cap	2	EA		
29	1130040006	NUT	1	EA		
30	1140020006	WASHER, spring	4	EA		
32	1140020008	WASHER, spring	2	EA		
33	1141110008	WASHER	4	EA		
34	1224100009	NUT	1	EA		
36	1700000043	SWITCH	1	EA		
37	1100050830	BOLT (10TM8 X 30 P/1.25)	2	EA		
51	1120530630	SCREW (4TM6 X 30 P/1.0)	1	EA		

ATTACHMENT PIPING; ARM (1/2) 1



ROF060a

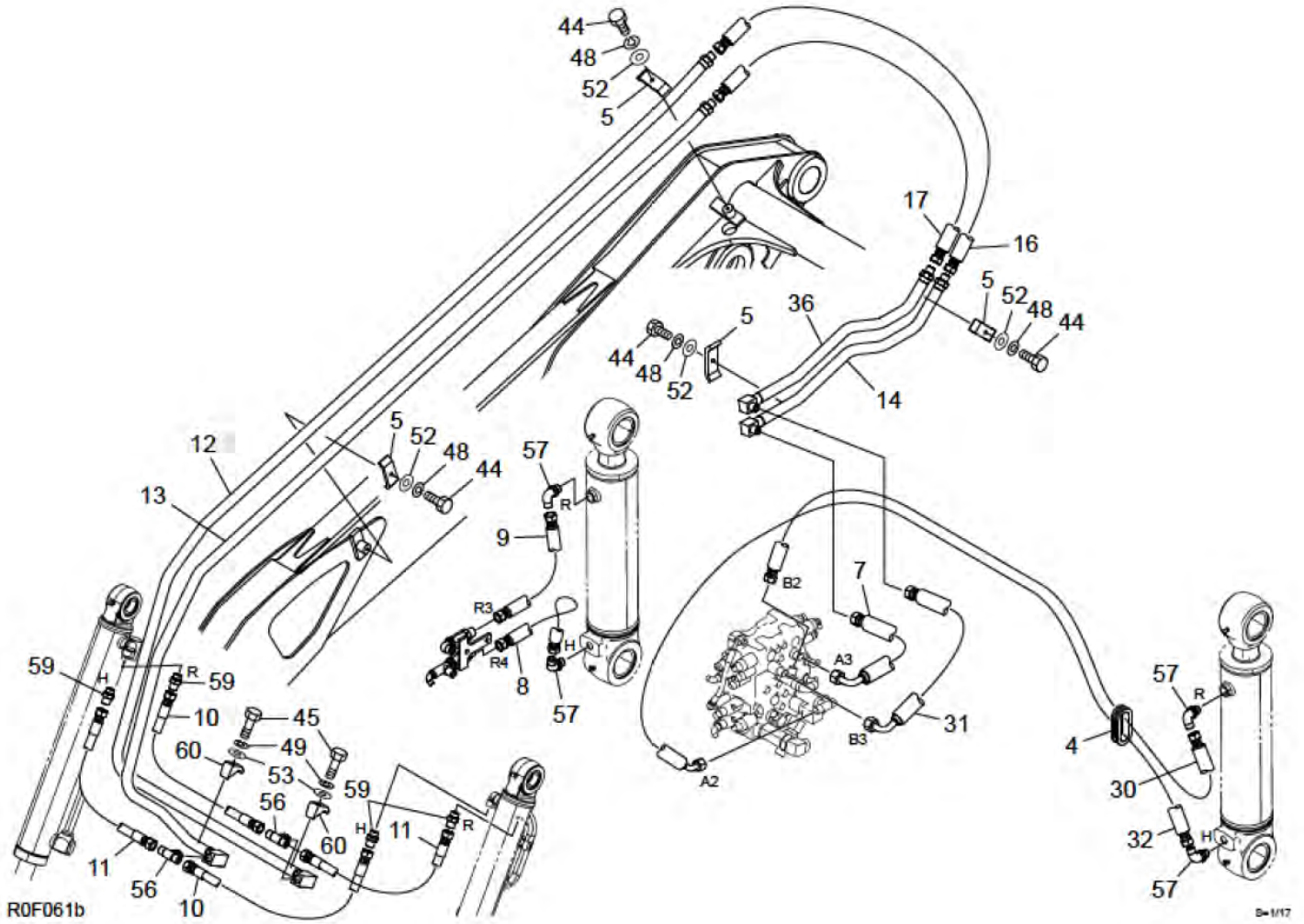
S=1/15

Item	Part No.	Name	Qty	Uom	Remarks	Serial Number
-	PNNA	PIPING ASSY		EA		
-	PNNA	PIPING ASSY (hydraulic quick hitch type)		EA		
1	0003600020	WASHER	3	EA		
2	0007236044	CONNECTOR	2	EA		
3	0007300001	CLAMP	1	EA		
5	0567320800	CLAMP (LIGHT GRAY)	5	EA		
15	0697300104	HOSE ASSY	1	EA	18010-23145	
21	0697300129	HOSE ASSY	1	EA		
22	0697300133	HOSE ASSY	1	EA		
23	0697300200	AUX A PIPE STD	1	EA		
24	0697300202	AUX B PIPE STD	1	EA		
25	0697300208	PIPE	1	EA		
26	0697300223	CLAMP	2	EA		
27	0697300225	CLAMP	2	EA		
28	*****	VALVE ASSY	1	EA	see page (2/2)	
28	*****	VALVE ASSY (hydraulic quick hitch type)	1	EA	see page (2/2)	
33	0697300265	PROTECTOR	1	EA		
37	*****	BRACKET ASSY	1	EA		
37-1	1515100048	ELBOW	2	EA		
37-1	1420010240	O-RING	1	EA		
37-2	1515102111	ELBOW	1	EA		
37-2	1420010140	O-RING	1	EA		
37-3	1515600201	ADAPTOR	1	EA		
37-3	1420010140	O-RING	1	EA		
37-4	1515600578	ADAPTOR	2	EA		
37-4	1420010240	O-RING	1	EA		
37-5	0697300194	BRACKET	1	EA		
39	0881733550	CLAMP (LIGHT GRAY)	1	EA		
40	0881733590	RUBBER	1	EA		
41	0881733600	RUBBER	2	EA		
44	1100051025	BOLT (10TM10 X 25 P/1.5)	17	EA		
46	1110051020	BOLT, socket (10TM10 X 20 P/1.5)	3	EA		
48	1140020010	WASHER, spring	17	EA		
50	1140420010	WASHER, spring	3	EA		
52	1141110010	WASHER, plain	14	EA		
54	1501750002	PLUG (FOR O-RING USE # 1420010110)	1	EA		
54	1420010110	O-RING	1	EA		

This page intentionally left blank

Item	Part No.	Name	Qty	Uom	Remarks	Serial Number
55	1511410003	CONNECTOR	1	EA		
55	1420010140	O-RING	1	EA		

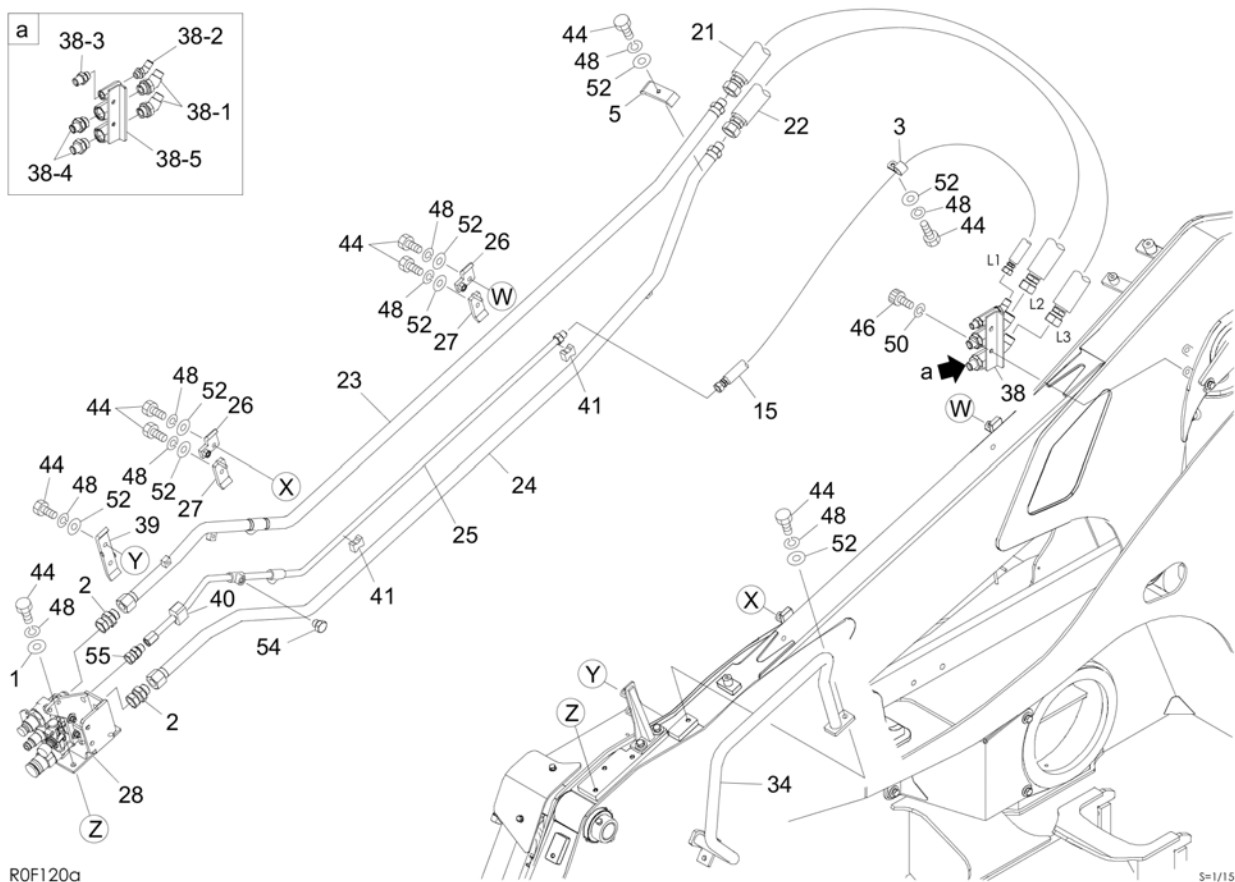
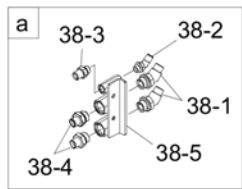
ATTACHMENT PIPING; ARM (1/2) 2



Item	Part No.	Name	Qty	Uom	Remarks	Serial Number
4	0377000111	GROMMET	1	EA		
5	0567320800	CLAMP (LIGHT GRAY)	5	EA		
7	0697300011	HOSE ASSY	1	EA		
8	0697300019	HOSE ASSY	1	EA	18045-40044	
9	0697300020	HOSE ASSY	1	EA	18045-40047	
10	0697300039	HOSE ASSY	2	EA	18047-40078	
11	0697300040	HOSE ASSY	2	EA	18047-40050	
12	0697300070	PIPE	1	EA		
13	0697300071	PIPE	1	EA		
14	0697300096	PIPE	1	EA		
16	0697300107	HOSE ASSY	1	EA		
17	0697300108	HOSE ASSY	1	EA		
30	0697300258	HOSE ASSY	1	EA	18045-40210	
31	0697300259	HOSE ASSY	1	EA		
32	0697300260	HOSE ASSY	1	EA	18045-42220	
36	0697300269	PIPE	1	EA		
44	1100051025	BOLT (10TM10 X 25 P/1.5)	17	EA		
45	1100051260	BOLT (10TM12 X 60 P/1.75)	2	EA		
48	1140020010	WASHER, spring	17	EA		
49	1140020012	WASHER, spring (12MM)	2	EA		
52	1141110010	WASHER, plain	14	EA		
53	1141110012	WASHER	2	EA		
56	1512374002	TEE	2	EA		
56	1420010180	O-RING	1	EA		
57	1515012042	ELBOW	4	EA		
57	1420010180	O-RING	1	EA		
59	1515600202	ADAPTOR	4	EA		
59	1420010180	O-RING	1	EA		
60	1534100274	CLAMP	2	EA		

Item	Part No.	Name	Qty	Uom	Remarks	Serial Number
6	0697300009	HOSE ASSY	1	EA		
18	0697300113	HOSE ASSY	1	EA	18010-23245	
19	0697300121	GUIDE	1	EA		
20	0697300127	HOSE ASSY	1	EA		
29	0697300257	HOSE ASSY	1	EA	18045-40044	
34	0697300267	HOSE ASSY	1	EA	18045-40040	
35	0697300268	HOSE ASSY	1	EA		
38	*****	BRACKET ASSY	1	EA		
38-1	0697300255	BRACKET	1	EA		
38-2	1512340004	ELBOW	1	EA		
38-2	1420010180	O-RING	1	EA		
38-3	1515012040	ELBOW	1	EA		
38-3	1420010110	O-RING	1	EA		
38-4	1515012042	ELBOW	1	EA		
38-4	1420010180	O-RING	1	EA		
38-5	1515600202	ADAPTOR	2	EA		
38-5	1420010180	O-RING	1	EA		
42	1100090816	BOLT	1	EA		
43	1100050820	BOLT (10TM8 X 20 P/1.25)	3	EA		
46	1110051020	BOLT, socket (10TM10 X 20 P/1.5)	3	EA		
47	1140020008	WASHER, spring	4	EA		
50	1140420010	WASHER, spring	3	EA		
51	1141110008	WASHER	4	EA		
58	1515012511	ELBOW	1	EA		
58	1420010140	O-RING	1	EA		
61	1654624026	TRIM	1	EA	sold by the meter	
62	0697300284	GUIDE	1	EA		

ATTACHMENT PIPING; ARM (1/2) (with ride control) 1



ROF120a

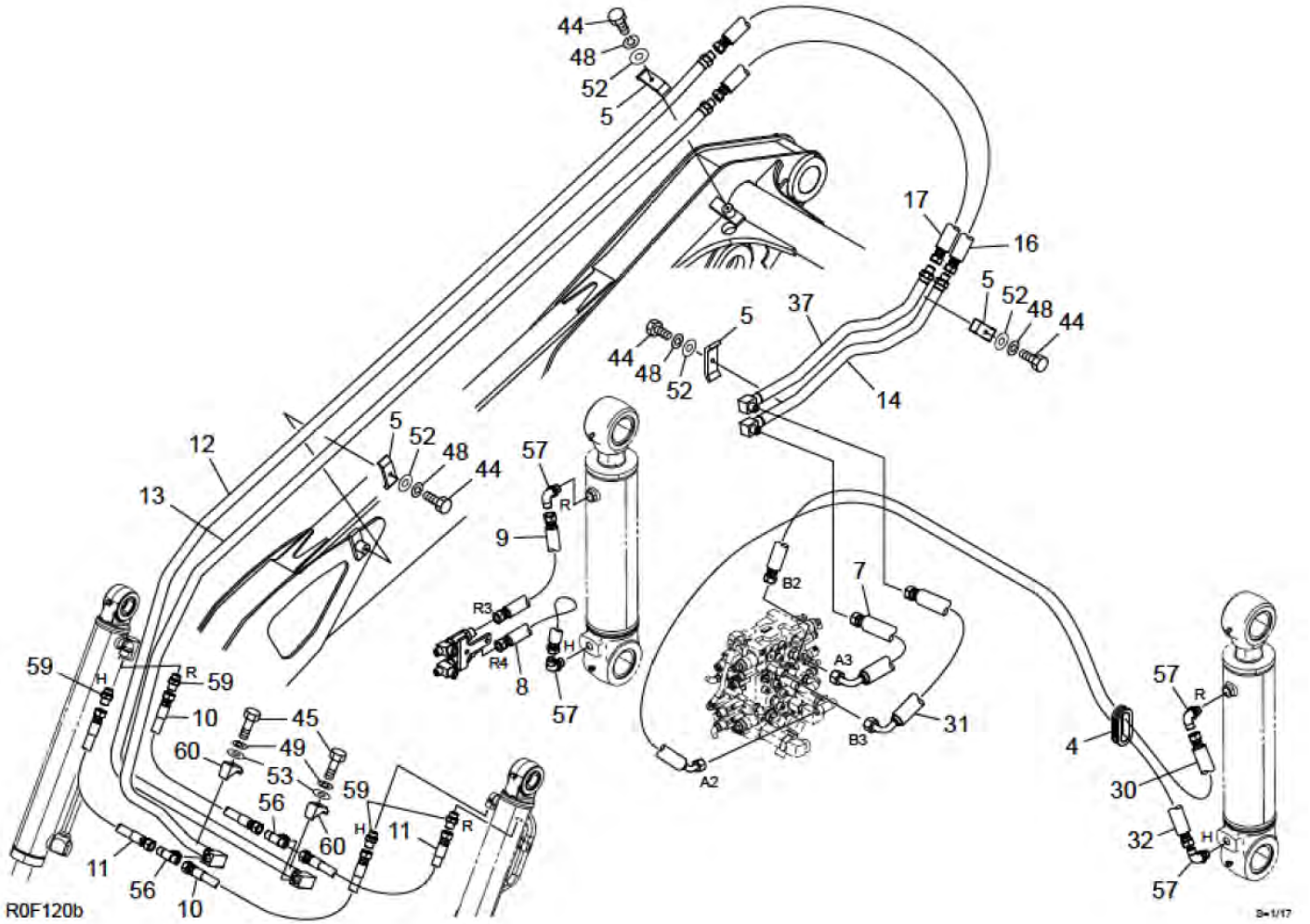
S=1/15

Item	Part No.	Name	Qty	Uom	Remarks	Serial Number
-	PNNA	PIPING ASSY		EA		
-	PNNA	PIPING ASSY (hydraulic quick hitch type)		EA		
1	0003600020	WASHER	3	EA		
2	0007236044	CONNECTOR	2	EA		
3	0007300001	CLAMP	1	EA		
5	0567320800	CLAMP (LIGHT GRAY)	5	EA		
15	0697300104	HOSE ASSY	1	EA	18010-23145	
21	0697300129	HOSE ASSY	1	EA		
22	0697300133	HOSE ASSY	1	EA		
23	0697300200	AUX A PIPE STD	1	EA		
24	0697300202	AUX B PIPE STD	1	EA		
25	0697300208	PIPE	1	EA		
26	0697300223	CLAMP	2	EA		
27	0697300225	CLAMP	2	EA		
28	*****	VALVE ASSY	1	EA	see page (2/2)	
28	*****	VALVE ASSY (hydraulic quick hitch type)	1	EA	see page (2/2)	
34	0697300265	PROTECTOR	1	EA		
38	*****	BRACKET ASSY	1	EA		
38-1	1515100048	ELBOW	2	EA		
38-1	1420010240	O-RING	1	EA		
38-2	1515102111	ELBOW	1	EA		
38-2	1420010140	O-RING	1	EA		
38-3	1515600201	ADAPTOR	1	EA		
38-3	1420010140	O-RING	1	EA		
38-4	1515600578	ADAPTOR	2	EA		
38-4	1420010240	O-RING	1	EA		
38-5	0697300194	BRACKET	1	EA		
39	0881733550	CLAMP (LIGHT GRAY)	1	EA		
40	0881733590	RUBBER	1	EA		
41	0881733600	RUBBER	2	EA		
44	1100051025	BOLT (10TM10 X 25 P/1.5)	17	EA		
46	1110051020	BOLT, socket (10TM10 X 20 P/1.5)	3	EA		
48	1140020010	WASHER, spring	17	EA		
50	1140420010	WASHER, spring	3	EA		
52	1141110010	WASHER, plain	14	EA		
54	1501750002	PLUG (FOR O-RING USE # 1420010110)	1	EA		
54	1420010110	O-RING	1	EA		

This page intentionally left blank

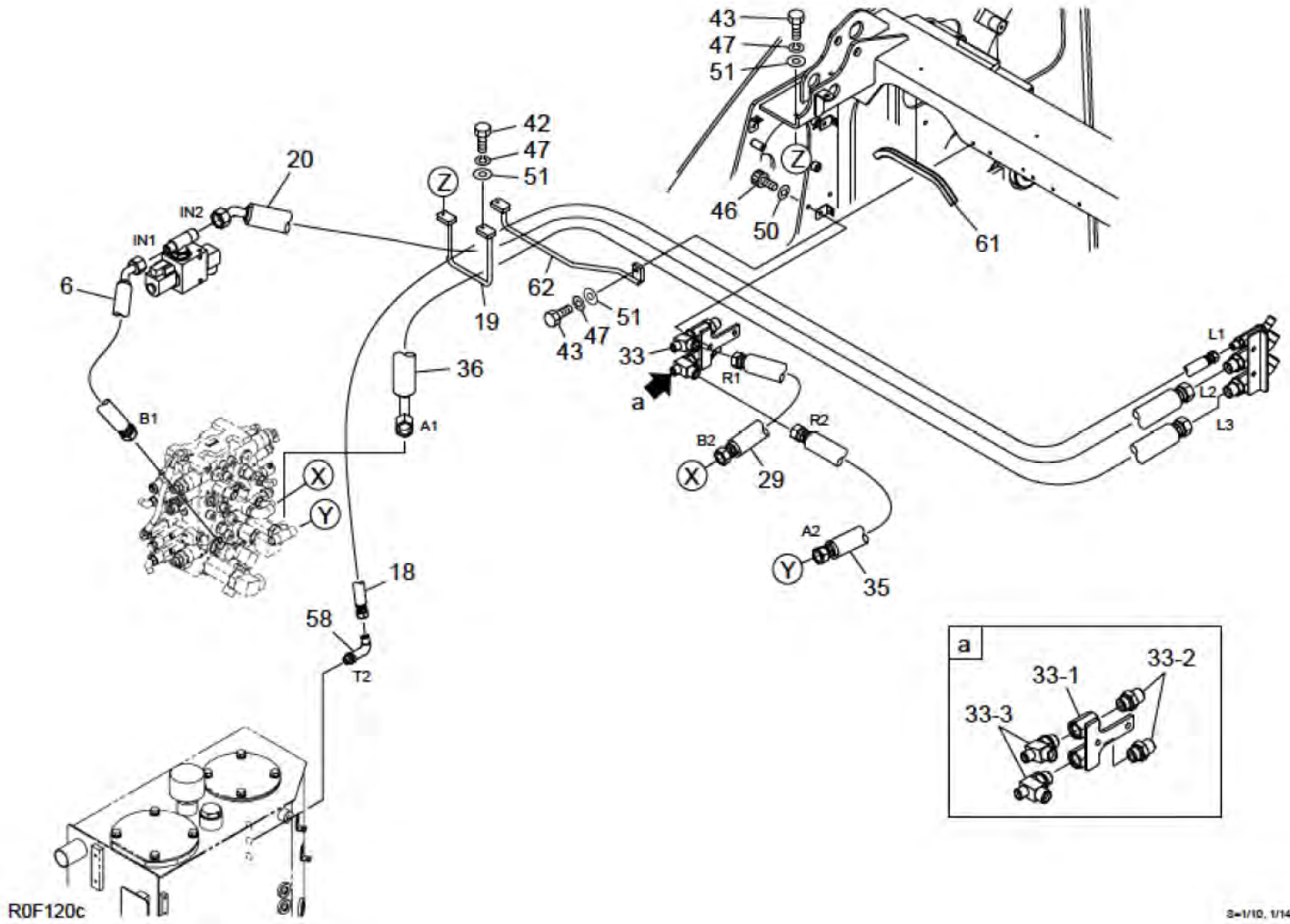
Item	Part No.	Name	Qty	Uom	Remarks	Serial Number
55	1511410003	CONNECTOR	1	EA		
55	1420010140	O-RING	1	EA		

ATTACHMENT PIPING; ARM (1/2) (with ride control) 2



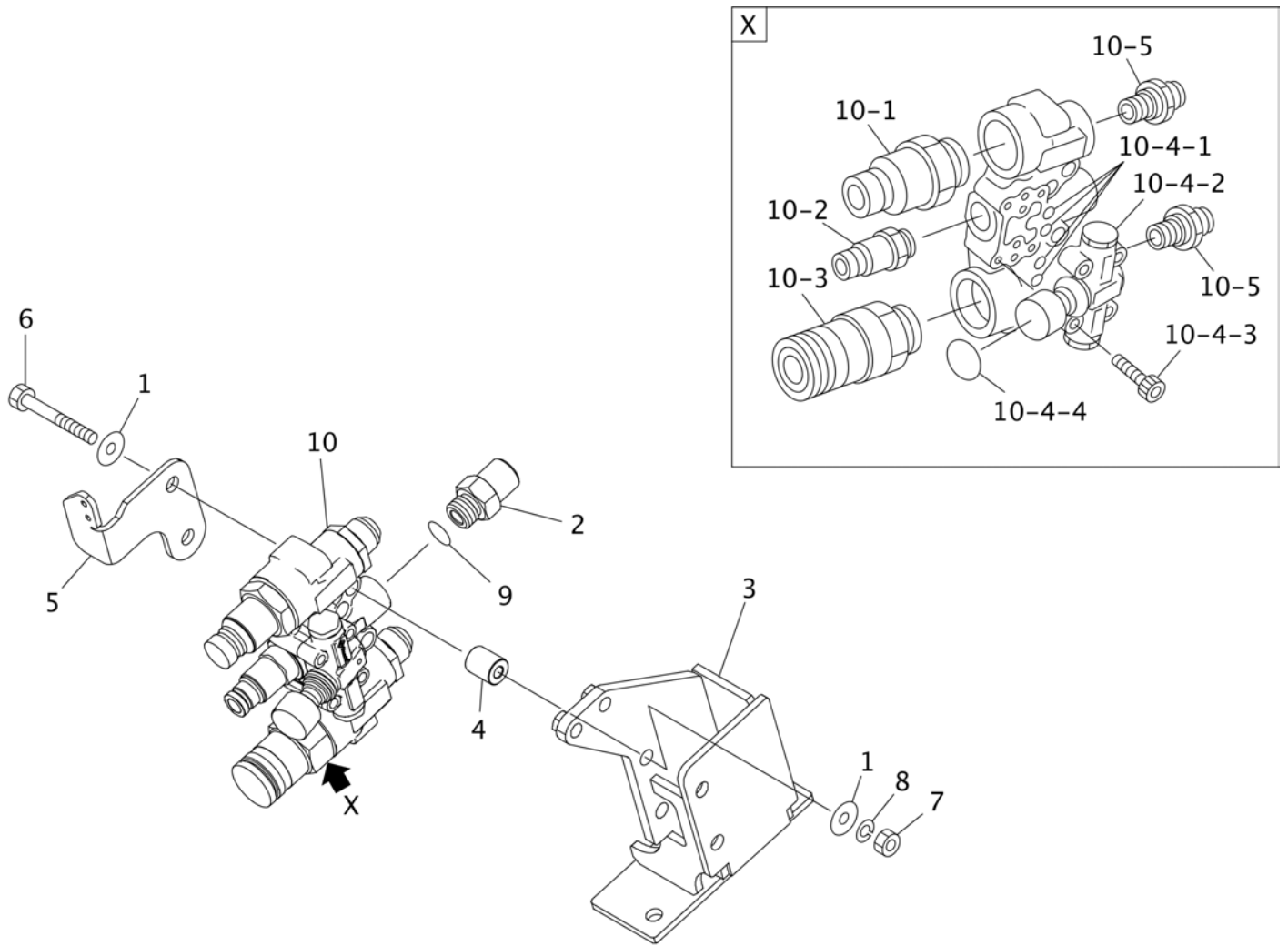
Item	Part No.	Name	Qty	Uom	Remarks	Serial Number
4	0377000111	GROMMET	1	EA		
5	0567320800	CLAMP (LIGHT GRAY)	5	EA		
7	0697300011	HOSE ASSY	1	EA		
8	0697300019	HOSE ASSY	1	EA	18045-40044	
9	0697300020	HOSE ASSY	1	EA	18045-40047	
10	0697300039	HOSE ASSY	2	EA	18047-40078	
11	0697300040	HOSE ASSY	2	EA	18047-40050	
12	0697300070	PIPE	1	EA		
13	0697300071	PIPE	1	EA		
14	0697300096	PIPE	1	EA		
16	0697300107	HOSE ASSY	1	EA		
17	0697300108	HOSE ASSY	1	EA		
30	0697300258	HOSE ASSY	1	EA	18045-40210	
31	0697300259	HOSE ASSY	1	EA		
32	0697300260	HOSE ASSY	1	EA	18045-42220	
37	0697300269	PIPE	1	EA		
44	1100051025	BOLT (10TM10 X 25 P/1.5)	17	EA		
45	1100051260	BOLT (10TM12 X 60 P/1.75)	2	EA		
48	1140020010	WASHER, spring	17	EA		
49	1140020012	WASHER, spring (12MM)	2	EA		
52	1141110010	WASHER, plain	14	EA		
53	1141110012	WASHER	2	EA		
56	1512374002	TEE	2	EA		
56	1420010180	O-RING	1	EA		
57	1515012042	ELBOW	4	EA		
57	1420010180	O-RING	1	EA		
59	1515600202	ADAPTOR	4	EA		
59	1420010180	O-RING	1	EA		
60	1534100274	CLAMP	2	EA		

ATTACHMENT PIPING; ARM (1/2) (with ride control) 3



Item	Part No.	Name	Qty	Uom	Remarks	Serial Number
6	0697300009	HOSE ASSY	1	EA		
18	0697300113	HOSE ASSY	1	EA	18010-23245	
19	0697300121	GUIDE	1	EA		
20	0697300127	HOSE ASSY	1	EA		
29	0697300257	HOSE ASSY	1	EA	18045-40044	
33	*****	BRACKET ASSY	1	EA		
33-1	0697300255	BRACKET	1	EA		
33-2	1515600202	ADAPTOR	2	EA		
33-2	1420010180	O-RING	1	EA		
33-3	1512373017	TEE	2	EA		
35	0697300267	HOSE ASSY	1	EA	18045-40040	
36	0697300268	HOSE ASSY	1	EA		
42	1100090816	BOLT	1	EA		
43	1100050820	BOLT (10TM8 X 20 P/1.25)	3	EA		
46	1110051020	BOLT, socket (10TM10 X 20 P/1.5)	3	EA		
47	1140020008	WASHER, spring	4	EA		
50	1140420010	WASHER, spring	3	EA		
51	1141110008	WASHER	4	EA		
58	1515012511	ELBOW	1	EA		
58	1420010140	O-RING	1	EA		
61	1654624026	TRIM	1	EA	sold by the meter	
62	0697300284	GUIDE	1	EA		

ATTACHMENT PIPING; ARM (2/2)



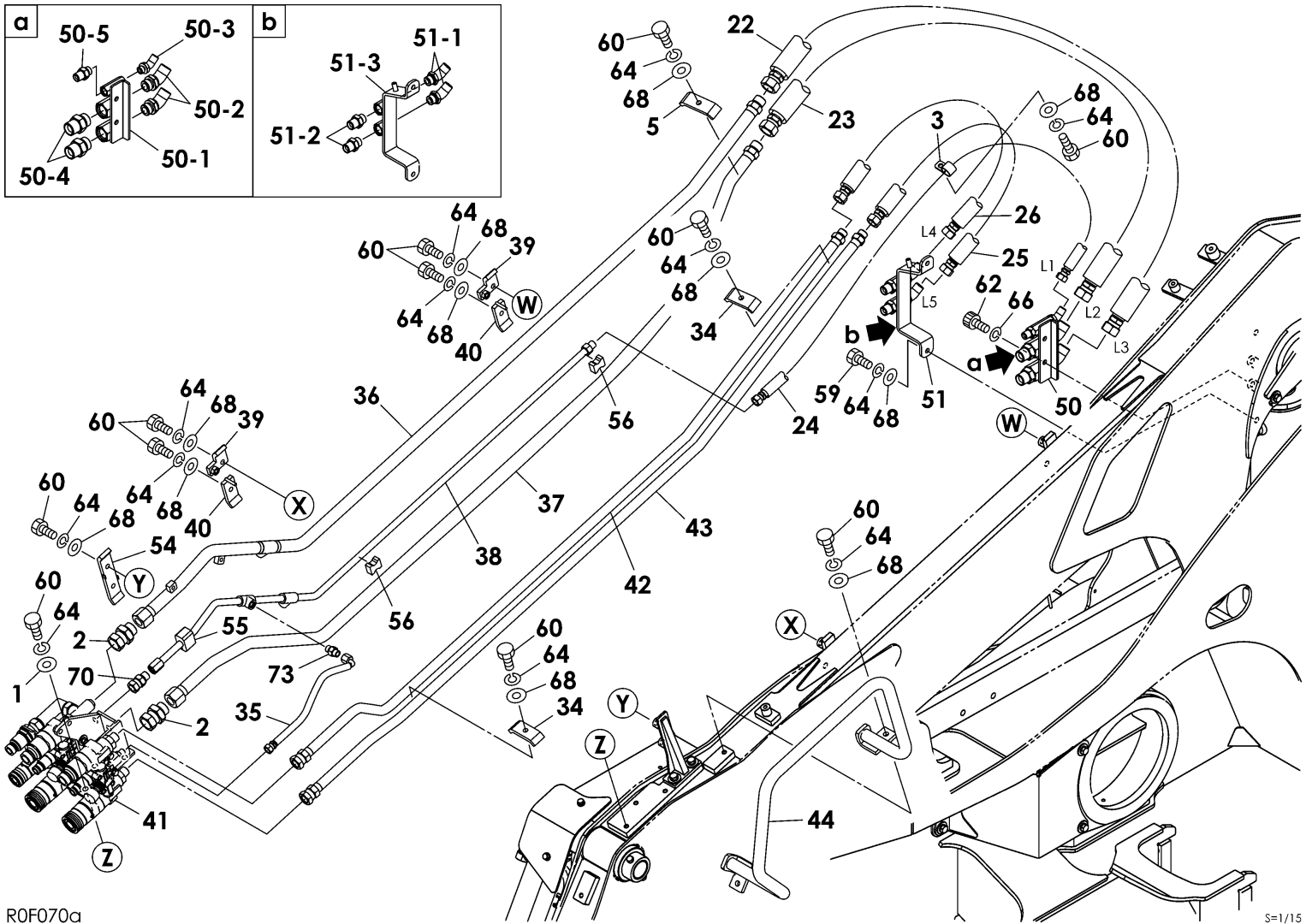
ROF090

S=1/5, 1)

355
MODEL: TL12V2

Item	Part No.	Name	Qty	Uom	Remarks	Serial Number
0	*****	VALVE ASSY	1	EA		
0	*****	VALVE ASSY (hydraulic quick hitch type)	1	EA		
1	0003608252	WASHER	4	EA		
2	0007203017	O-RING (TAPERED) (3/8" MALE)	1	EA		
3	0697300272	BRACKET	1	EA		
4	0697309210	SPACER	2	EA		
5	0697313860	BRACKET	1	EA	hydraulic quick hitch type	
6	1100050880	BOLT (10TM8 X 80 P/1.25)	2	EA		
6	1100040885	BOLT	2	EA	hydraulic quick hitch type	
7	1130140008	NUT (polycarbonate type)	2	EA		
8	1140020008	WASHER, spring	2	EA		
9	1420310906	O-RING (ARP568-906-1B)	1	EA		
10	1901759900	SATURN BLK-M13 M9 F13 TWINPORTS-1 1 1/16UN-12 37 M	1	EA		
10-1	K28857010	SATURN BLOCK COUPLER MALE 1/2 SAE EXT ON BLOCK	1	EA		
10-1	1901758604	O-RING (SATURN BLK KIT) (SEE COMMENTS)	1	EA	FOR USE ON # K28857008, K28857009, K28857010 & K28857012	
10-2	1901758602	SATURN BLOCK ADAPTOR MALE 1/2 INCH SAE	1	EA		
10-2	1901758605	SATURN BLOCK (O-RING KIT FOR #1901758602)	1	EA		
10-3	K28857012	SATURN BLOCK COUPLER FEMALE 1/2 SAE EXT ON BLOCK	1	EA		
10-3	1901758604	O-RING (SATURN BLK KIT) (SEE COMMENTS)	1	EA	FOR USE ON # K28857008, K28857009, K28857010 & K28857012	
10-4	K28857011	SATURN BLOCK PRESSURE RELIEF KIT	1	EA		
10-4-1	1901758606	SATURN BLK O-RING (FOR K28857008 & K28857009)	4	EA		
10-4-2	K28857011	SATURN BLOCK PRESSURE RELIEF KIT	1	EA		
10-4-3	1901758608	SCREW, cap	4	EA		
10-4-4	1901758609	DECAL	1	EA		
10-5	1901759905	ADAPTOR	2	EA		

ATTACHMENT PIPING; ARM (1/2) (high flow) (hydraulic quick hitch type) (with 2nd aux. line) 1



R0F070a

S=1/15

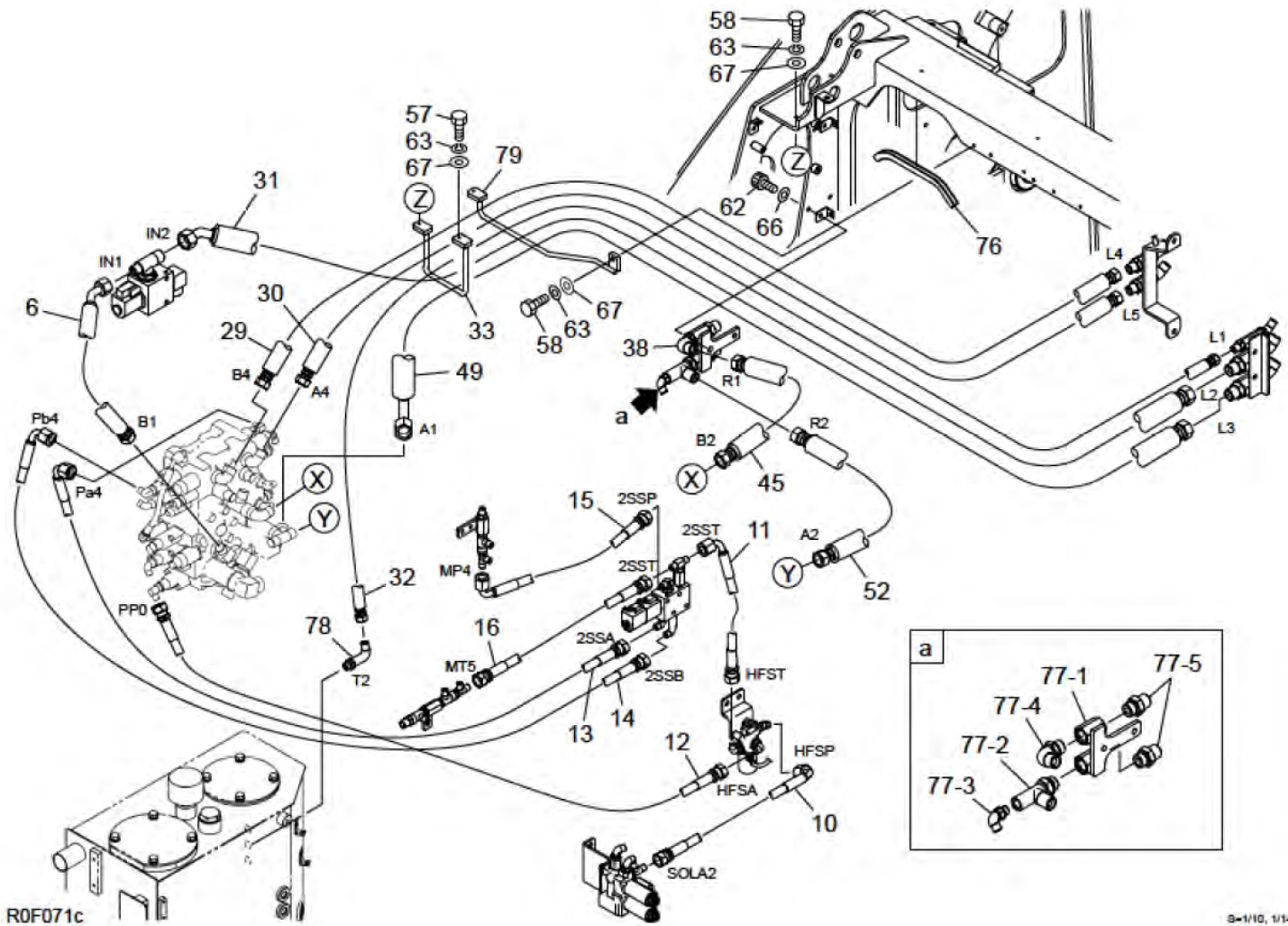
Item	Part No.	Name	Qty	Uom	Remarks	Serial Number
-	PNNA	PIPING ASSY		EA		
1	0003600020	WASHER	3	EA		
2	0007236044	CONNECTOR	2	EA		
3	0007300001	CLAMP	1	EA		
5	0567320800	CLAMP (LIGHT GRAY)	5	EA		
22	0697300102	HOSE ASSY	1	EA	18045-80100	
23	0697300103	HOSE ASSY	1	EA	18045-80092	
24	0697300104	HOSE ASSY	1	EA	18010-23145	
25	0697300105	HOSE ASSY	1	EA	18015-40116	
26	0697300106	HOSE ASSY	1	EA	18015-40110	
34	0697300122	CLAMP	2	EA		
35	0697300199	HOSE ASSY	1	EA	18010-52038	
36	0697300203	PIPE	1	EA		
37	0697300206	PIPE	1	EA		
38	0697300208	PIPE	1	EA		
39	0697300223	CLAMP	2	EA		
40	0697300225	CLAMP	2	EA		
41	*****	VALVE ASSY	1	EA	see page (2/2)	
42	0697300239	2ND AUX B PIPE	1	EA		
43	0697300241	2ND AUX A PIPE	1	EA		
44	0697300250	PROTECTOR	1	EA		
50	*****	BRACKET ASSY	1	EA		
50-1	0697300194	BRACKET	1	EA		
50-2	1515100113	ELBOW	2	EA		
50-2	1420010240	O-RING	1	EA		
50-3	1515102111	ELBOW	1	EA		
50-3	1420010140	O-RING	1	EA		
50-4	1515600203	ADAPTOR	2	EA		
50-4	1420010240	O-RING	1	EA		
50-5	1515600201	ADAPTOR	1	EA		
50-5	1420010140	O-RING	1	EA		
51	*****	BRACKET ASSY	1	EA		
51-1	1515102112	ELBOW	2	EA		
51-2	1515600202	ADAPTOR	2	EA		
51-2	1420010180	O-RING	1	EA		
51-3	0697300197	BRACKET	1	EA		
54	0881733550	CLAMP (LIGHT GRAY)	1	EA		
55	0881733590	RUBBER	1	EA		

This page intentionally left blank

Item	Part No.	Name	Qty	Uom	Remarks	Serial Number
56	0881733600	RUBBER	2	EA		
59	1100051020	BOLT (10TM10 X 20 P/1.5)	2	EA		
60	1100051025	BOLT (10TM10 X 25 P/1.5)	19	EA		
62	1110051020	BOLT, socket (10TM10 X 20 P/1.5)	4	EA		
64	1140020010	WASHER, spring	21	EA		
66	1140420010	WASHER, spring	4	EA		
68	1141110010	WASHER, plain	18	EA		
70	1511410003	CONNECTOR	1	EA		
70	1420010140	O-RING	1	EA		
73	1515600200	ADAPTOR	1	EA		
73	1420010110	O-RING	1	EA		

Item	Part No.	Name	Qty	Uom	Remarks	Serial Number
4	0377000111	GROMMET	1	EA		
5	0567320800	CLAMP (LIGHT GRAY)	5	EA		
7	0697300011	HOSE ASSY	1	EA		
8	0697300019	HOSE ASSY	1	EA	18045-40044	
9	0697300020	HOSE ASSY	1	EA	18045-40047	
17	0697300039	HOSE ASSY	2	EA	18047-40078	
18	0697300040	HOSE ASSY	2	EA	18047-40050	
19	0697300070	PIPE	1	EA		
20	0697300071	PIPE	1	EA		
21	0697300096	PIPE	1	EA		
27	0697300107	HOSE ASSY	1	EA		
28	0697300108	HOSE ASSY	1	EA		
46	0697300258	HOSE ASSY	1	EA	18045-40210	
47	0697300259	HOSE ASSY	1	EA		
48	0697300260	HOSE ASSY	1	EA	18045-42220	
53	0697300269	PIPE	1	EA		
60	1100051025	BOLT (10TM10 X 25 P/1.5)	19	EA		
61	1100051260	BOLT (10TM12 X 60 P/1.75)	2	EA		
64	1140020010	WASHER, spring	21	EA		
65	1140020012	WASHER, spring (12MM)	2	EA		
68	1141110010	WASHER, plain	18	EA		
69	1141110012	WASHER	2	EA		
71	1512374002	TEE	2	EA		
71	1420010180	O-RING	1	EA		
72	1515012042	ELBOW	4	EA		
72	1420010180	O-RING	1	EA		
74	1515600202	ADAPTOR	4	EA		
74	1420010180	O-RING	1	EA		
75	1534100274	CLAMP	2	EA		

ATTACHMENT PIPING; ARM (1/2) (high flow) (hydraulic quick hitch type) (with 2nd aux. line) 3

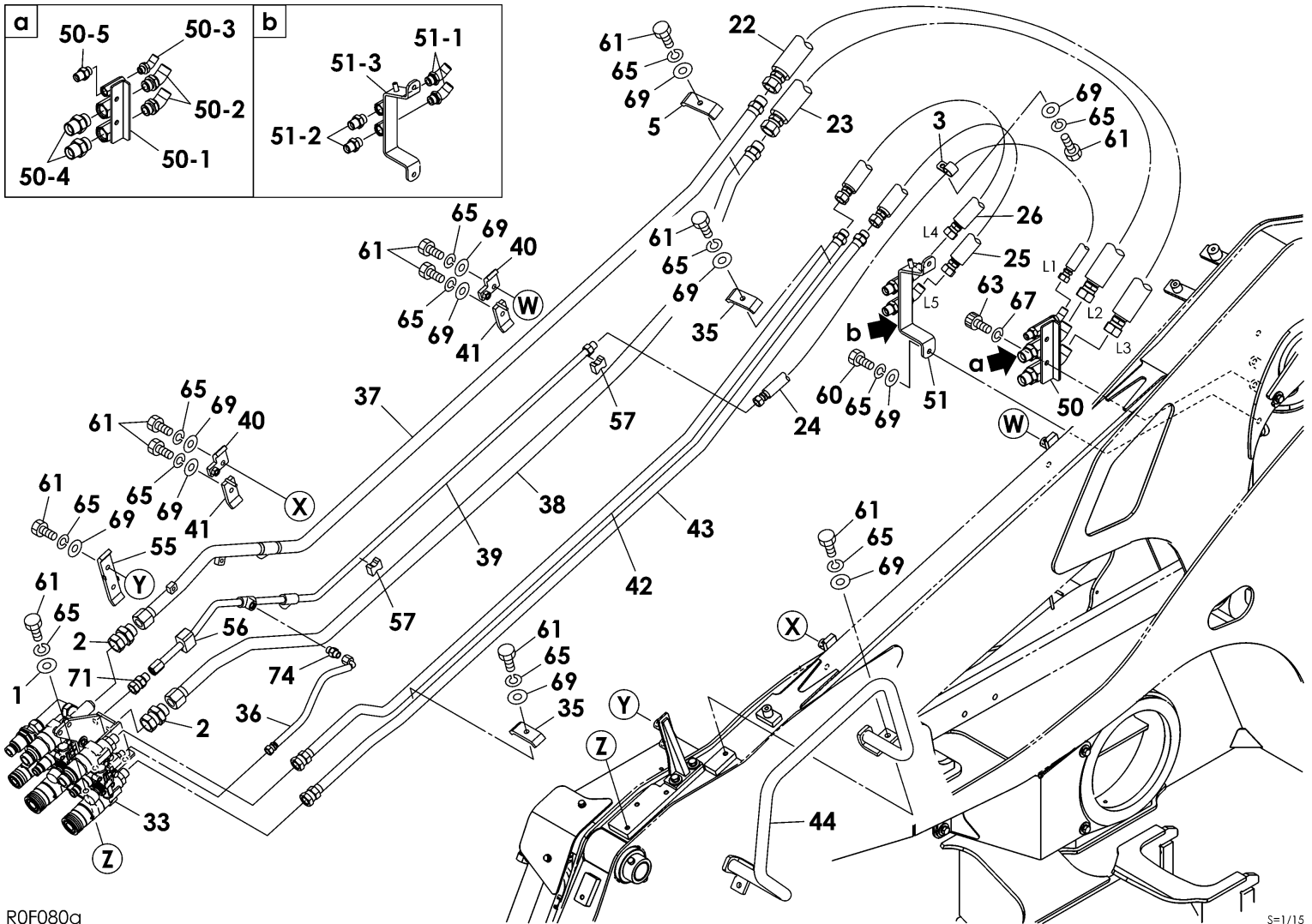


R0F071c

3-1/10, 1/14

Item	Part No.	Name	Qty	Uom	Remarks	Serial Number
6	0697300009	HOSE ASSY	1	EA		
10	0697300025	HOSE ASSY	1	EA	18010-52062	
11	0697300026	HOSE ASSY	1	EA	18010-52022	
12	0697300027	HOSE ASSY	1	EA	18010-22100	
13	0697300031	HOSE ASSY	1	EA	18010-52096	
14	0697300032	HOSE ASSY	1	EA	18010-52128	
15	0697300033	HOSE ASSY	1	EA	18010-52034	
16	0697300034	HOSE ASSY	1	EA	18010-22038	
29	0697300109	HOSE ASSY	1	EA	18015-40159	
30	0697300110	HOSE ASSY	1	EA	18015-40149	
31	0697300111	HOSE ASSY	1	EA	18045-82145	
32	0697300113	HOSE ASSY	1	EA	18010-23245	
33	0697300121	GUIDE	1	EA		
38	0697300208	PIPE	1	EA		
45	0697300257	HOSE ASSY	1	EA	18045-40044	
49	0697300261	HOSE ASSY	1	EA	18045-81175	
52	0697300267	HOSE ASSY	1	EA	18045-40040	
57	1100090816	BOLT	1	EA		
58	1100050820	BOLT (10TM8 X 20 P/1.25)	3	EA		
62	1110051020	BOLT, socket (10TM10 X 20 P/1.5)	4	EA		
63	1140020008	WASHER, spring	4	EA		
66	1140420010	WASHER, spring	4	EA		
67	1141110008	WASHER	4	EA		
76	1654624026	TRIM	1	EA	sold by the meter	
77	*****	BRACKET ASSY	1	EA		
77-1	0697300255	BRACKET	1	EA		
77-2	1512340004	ELBOW	1	EA		
77-2	1420010180	O-RING	1	EA		
77-3	1515012040	ELBOW	1	EA		
77-3	1420010110	O-RING	1	EA		
77-4	1515012042	ELBOW	1	EA		
77-4	1420010180	O-RING	1	EA		
77-5	1515600202	ADAPTOR	2	EA		
77-5	1420010180	O-RING	1	EA		
78	1515012511	ELBOW	1	EA		
78	1420010140	O-RING	1	EA		
79	0697300284	GUIDE	1	EA		412000572~

ATTACHMENT PIPING; ARM (1/2) (high flow) (with ride control) (with 2nd aux. line) 1



ROF080a

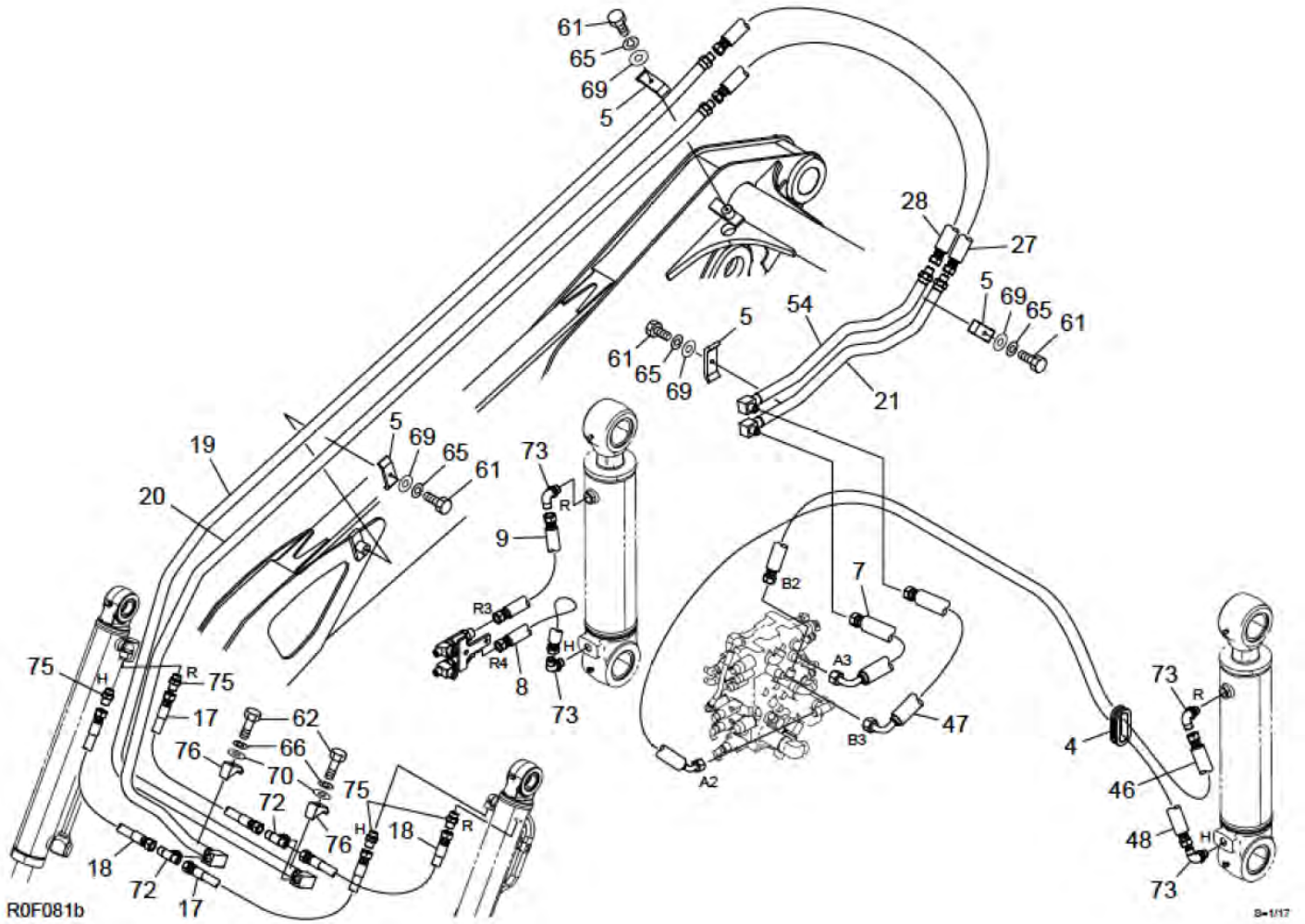
S=1/15

Item	Part No.	Name	Qty	Uom	Remarks	Serial Number
Not Shown	PNNA	PIPING ASSY		EA		
1	0003600020	WASHER	3	EA		
2	0007236044	CONNECTOR	2	EA		
3	0007300001	CLAMP	1	EA		
5	0567320800	CLAMP (LIGHT GRAY)	5	EA		
22	0697300102	HOSE ASSY	1	EA	18045-80100	
23	0697300103	HOSE ASSY	1	EA	18045-80092	
24	0697300104	HOSE ASSY	1	EA	18010-23145	
25	0697300105	HOSE ASSY	1	EA	18015-40116	
26	0697300106	HOSE ASSY	1	EA	18015-40110	
33	*****	VALVE ASSY	1	EA	see page (2/2)	
35	0697300122	CLAMP	2	EA		
36	0697300199	HOSE ASSY	1	EA	18010-52038	
37	0697300203	PIPE	1	EA		
38	0697300206	PIPE	1	EA		
39	0697300208	PIPE	1	EA		
40	0697300223	CLAMP	2	EA		
41	0697300225	CLAMP	2	EA		
42	0697300239	2ND AUX B PIPE	1	EA		
43	0697300241	2ND AUX A PIPE	1	EA		
44	0697300250	PROTECTOR	1	EA		
50	*****	BRACKET ASSY	1	EA		
50-1	0697300194	BRACKET	1	EA		
50-2	1515100113	ELBOW	2	EA		
50-2	1420010240	O-RING	1	EA		
50-3	1515102111	ELBOW	1	EA		
50-3	1420010140	O-RING	1	EA		
50-4	1515600203	ADAPTOR	2	EA		
50-4	1420010240	O-RING	1	EA		
50-5	1515600201	ADAPTOR	1	EA		
50-5	1420010140	O-RING	1	EA		
51	*****	BRACKET ASSY	1	EA		
51-1	1515102112	ELBOW	2	EA		
51-2	1515600202	ADAPTOR	2	EA		
51-2	1420010180	O-RING	1	EA		
51-3	0697300197	BRACKET	1	EA		
55	0881733550	CLAMP (LIGHT GRAY)	1	EA		
56	0881733590	RUBBER	1	EA		

This page intentionally left blank

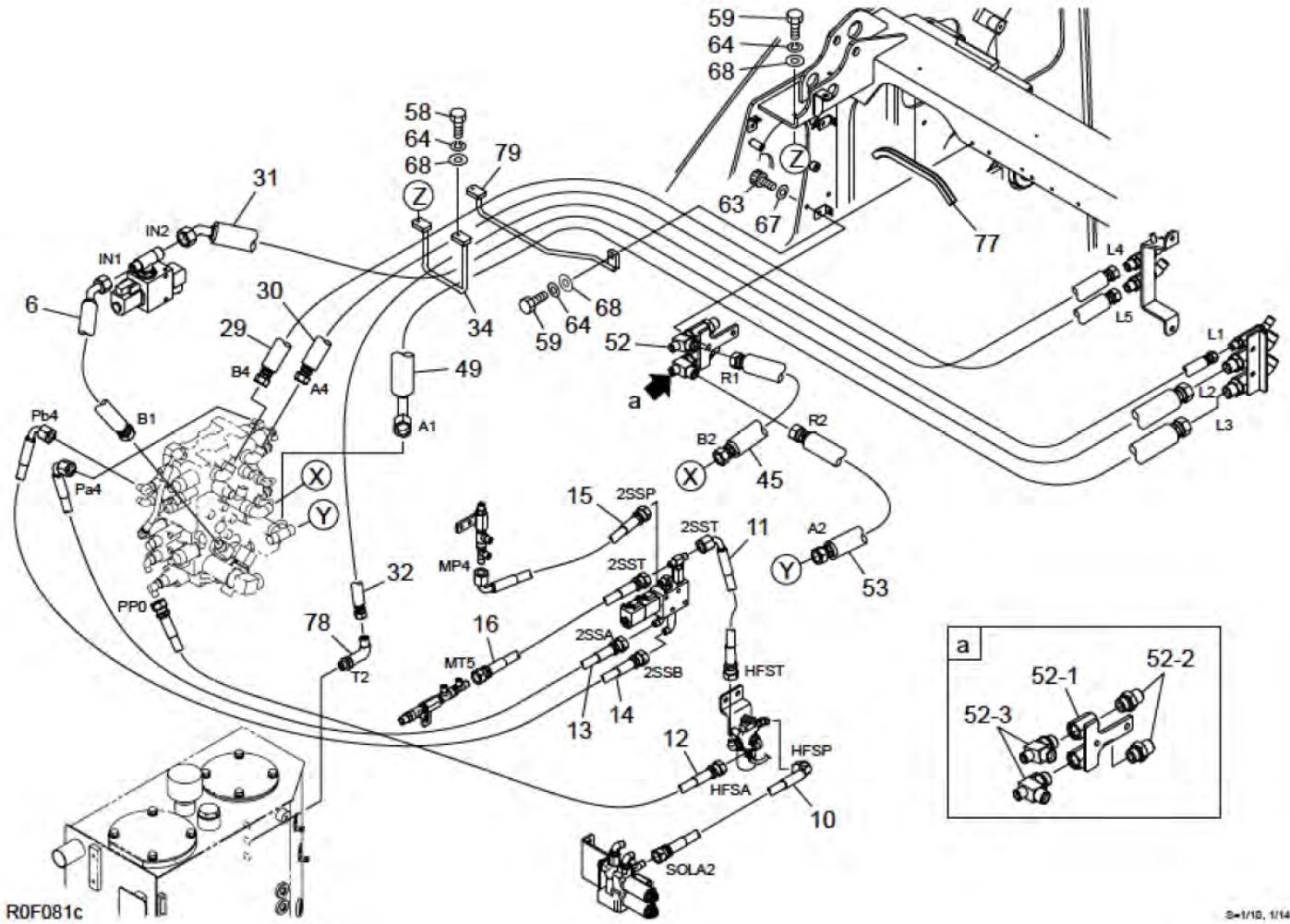
Item	Part No.	Name	Qty	Uom	Remarks	Serial Number
57	0881733600	RUBBER	2	EA		
60	1100051020	BOLT (10TM10 X 20 P/1.5)	2	EA		
61	1100051025	BOLT (10TM10 X 25 P/1.5)	19	EA		
63	1110051020	BOLT, socket (10TM10 X 20 P/1.5)	4	EA		
65	1140020010	WASHER, spring	21	EA		
67	1140420010	WASHER, spring	4	EA		
69	1141110010	WASHER, plain	18	EA		
71	1511410003	CONNECTOR	1	EA		
71	1420010140	O-RING	1	EA		
74	1515600200	ADAPTOR	1	EA		
74	1420010110	O-RING	1	EA		

ATTACHMENT PIPING; ARM (1/2) (high flow) (with ride control) (with 2nd aux. line) 2



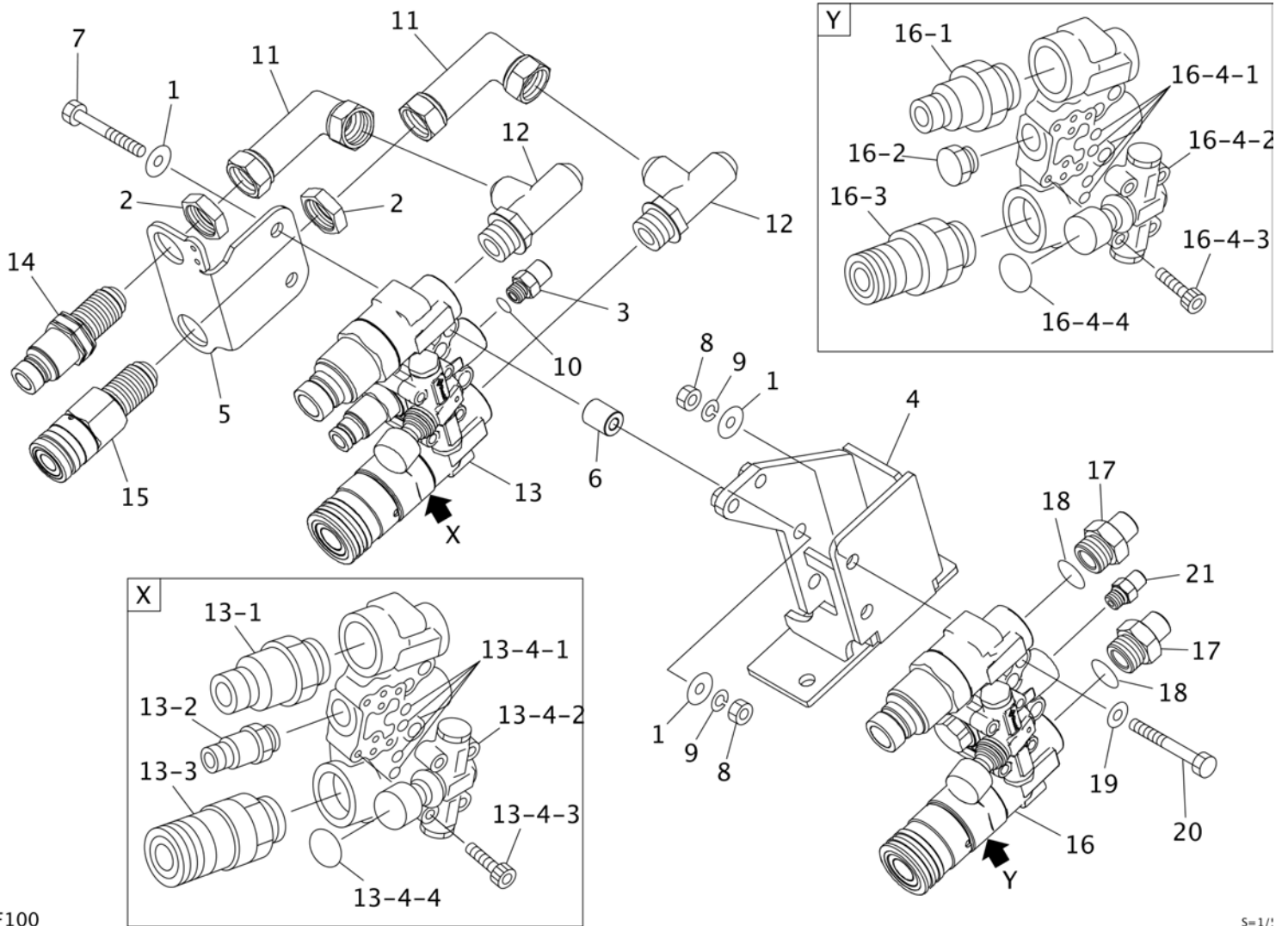
Item	Part No.	Name	Qty	Uom	Remarks	Serial Number
4	0377000111	GROMMET	1	EA		
5	0567320800	CLAMP (LIGHT GRAY)	5	EA		
7	0697300011	HOSE ASSY	1	EA		
8	0697300019	HOSE ASSY	1	EA	18045-40044	
9	0697300020	HOSE ASSY	1	EA	18045-40047	
17	0697300039	HOSE ASSY	2	EA	18047-40078	
18	0697300040	HOSE ASSY	2	EA	18047-40050	
19	0697300070	PIPE	1	EA		
20	0697300071	PIPE	1	EA		
21	0697300096	PIPE	1	EA		
27	0697300107	HOSE ASSY	1	EA		
28	0697300108	HOSE ASSY	1	EA		
46	0697300258	HOSE ASSY	1	EA	18045-40210	
47	0697300259	HOSE ASSY	1	EA		
48	0697300260	HOSE ASSY	1	EA	18045-42220	
54	0697300269	PIPE	1	EA		
61	1100051025	BOLT (10TM10 X 25 P/1.5)	19	EA		
62	1100051260	BOLT (10TM12 X 60 P/1.75)	2	EA		
65	1140020010	WASHER, spring	21	EA		
66	1140020012	WASHER, spring (12MM)	2	EA		
69	1141110010	WASHER, plain	18	EA		
70	1141110012	WASHER	2	EA		
72	1512374002	TEE	2	EA		
72	1420010180	O-RING	1	EA		
73	1515012042	ELBOW	4	EA		
73	1420010180	O-RING	1	EA		
75	1515600202	ADAPTOR	4	EA		
75	1420010180	O-RING	1	EA		
76	1534100274	CLAMP	2	EA		

ATTACHMENT PIPING; ARM (1/2) (high flow) (with ride control) (with 2nd aux. line) 3



Item	Part No.	Name	Qty	Uom	Remarks	Serial Number
6	0697300009	HOSE ASSY	1	EA		
10	0697300025	HOSE ASSY	1	EA	18010-52062	
11	0697300026	HOSE ASSY	1	EA	18010-52022	
12	0697300027	HOSE ASSY	1	EA	18010-22100	
13	0697300031	HOSE ASSY	1	EA	18010-52096	
14	0697300032	HOSE ASSY	1	EA	18010-52128	
15	0697300033	HOSE ASSY	1	EA	18010-52034	
16	0697300034	HOSE ASSY	1	EA	18010-22038	
29	0697300109	HOSE ASSY	1	EA	18015-40159	
30	0697300110	HOSE ASSY	1	EA	18015-40149	
31	0697300111	HOSE ASSY	1	EA	18045-82145	
32	0697300113	HOSE ASSY	1	EA	18010-23245	
34	0697300121	GUIDE	1	EA		
45	0697300257	HOSE ASSY	1	EA	18045-40044	
49	0697300261	HOSE ASSY	1	EA	18045-81175	
52	*****	BRACKET ASSY	1	EA		
52-1	0697300255	BRACKET	1	EA		
52-2	1515600202	ADAPTOR	2	EA		
52-2	1420010180	O-RING	1	EA		
52-3	1512373017	TEE	2	EA		
53	0697300267	HOSE ASSY	1	EA	18045-40040	
58	1100090816	BOLT	1	EA		
59	1100050820	BOLT (10TM8 X 20 P/1.25)	3	EA		
63	1110051020	BOLT, socket (10TM10 X 20 P/1.5)	4	EA		
64	1140020008	WASHER, spring	4	EA		
67	1140420010	WASHER, spring	4	EA		
68	1141110008	WASHER	4	EA		
77	1654624026	TRIM	1	EA	sold by the meter	
78	1515012511	ELBOW	1	EA		
78	1420010140	O-RING	1	EA		
79	0697300284	GUIDE	1	EA		412000572~

ATTACHMENT PIPING; ARM (2/2) (high flow)



ROF100

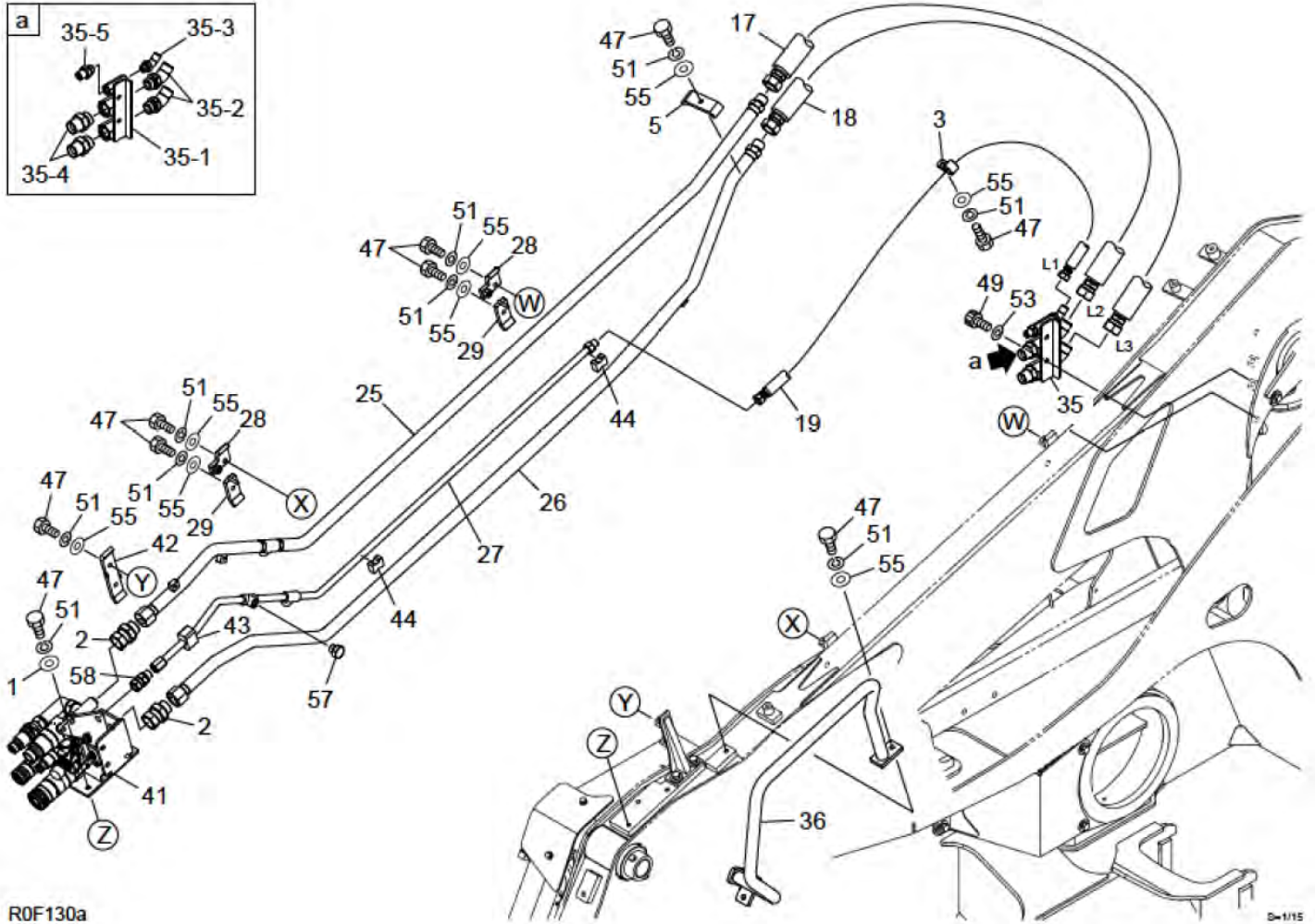
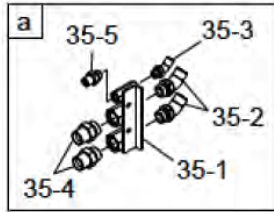
S=1/!

Item	Part No.	Name	Qty	Uom	Remarks	Serial Number
0	*****	VALVE ASSY	1	EA		
1	0003608252	WASHER	6	EA		
2	0007200233	NUT	2	EA		
3	0007203017	O-RING (TAPERED) (3/8" MALE)	1	EA		
4	0697300272	BRACKET	1	EA		
5	0697309200	BRACKET	1	EA		
6	0697309210	SPACER	2	EA		
7	1100040885	BOLT	2	EA		
8	1130140008	NUT (polycarbonate type)	4	EA		
9	1140020008	WASHER, spring	4	EA		
10	1420310906	O-RING (ARP568-906-1B)	1	EA		
11	1513390052	CONNECTOR	2	EA		
12	1513390053	TEE	2	EA		
12	1420310912	O-RING (ARP568-912-1B)	1	EA		
13	1901758600	BLOCK, coupler	1	EA		
13-1	K28857009	SATURN BLOCK COUPLER MALE 1 INCH ON BLOCK	1	EA		
13-1	1901758604	O-RING (SATURN BLK KIT) (SEE COMMENTS)	1	EA	FOR USE ON # K28857008, K28857009, K28857010 & K28857012	
13-2	1901758602	SATURN BLOCK ADAPTOR MALE 1/2 INCH SAE	1	EA		
13-2	1901758605	SATURN BLOCK (O-RING KIT FOR #1901758602)	1	EA		
13-3	K28857008	SATURN BLOCK COUPLER FEMALE 1 INCH ON BLOCK	1	EA		
13-3	1901758604	O-RING (SATURN BLK KIT) (SEE COMMENTS)	1	EA	FOR USE ON # K28857008, K28857009, K28857010 & K28857012	
13-4	K28857011	SATURN BLOCK PRESSURE RELIEF KIT	1	EA		
13-4-1	1901758606	SATURN BLK O-RING (FOR K28857008 & K28857009)	4	EA		
13-4-2	K28857011	SATURN BLOCK PRESSURE RELIEF KIT	1	EA		
13-4-3	1901758608	SCREW, cap	4	EA		
13-4-4	1901758609	DECAL	1	EA		
14	1901758700	COUPLER, quick	1	EA		
15	1901758800	COUPLER, quick	1	EA		
16	1901759800	SATURN BLK-M13 PLUG F13 PORTS 1/16-12 UNF SAE FEM	1	EA		
16-1	K28857010	SATURN BLOCK COUPLER MALE 1/2 SAE EXT ON BLOCK	1	EA		

This page intentionally left blank

Item	Part No.	Name	Qty	Uom	Remarks	Serial Number
16-1	1901758604	O-RING (SATURN BLK KIT) (SEE COMMENTS)	1	EA	FOR USE ON # K28857008, K28857009, K28857010 & K28857012	
16-2	1901759802	CAP W/HEXAGONAL HEAD PLUS O-RING	1	EA		
16-3	K28857012	SATURN BLOCK COUPLER FEMALE 1/2 SAE EXT ON BLOCK	1	EA		
16-3	1901758604	O-RING (SATURN BLK KIT) (SEE COMMENTS)	1	EA	FOR USE ON # K28857008, K28857009, K28857010 & K28857012	
16-4	K28857011	SATURN BLOCK PRESSURE RELIEF KIT	1	EA		
16-4-1	1901758606	SATURN BLK O-RING (FOR K28857008 & K28857009)	4	EA		
16-4-2	K28857011	SATURN BLOCK PRESSURE RELIEF KIT	1	EA		
16-4-3	1901758608	SCREW, cap	4	EA		
16-4-4	1901758609	DECAL	1	EA		
17	0007203037	FITTING	2	EA		
18	1420310912	O-RING (ARP568-912-1B)	2	EA		
19	1141110008	WASHER	2	EA		
20	1100050850	BOLT (10TM8 X 50 P/1.25)	2	EA		
21	1515600200	ADAPTOR	1	EA		
21	1420010110	O-RING	1	EA		

ATTACHMENT PIPING; ARM (1/2) (high flow) (with coupler) 1



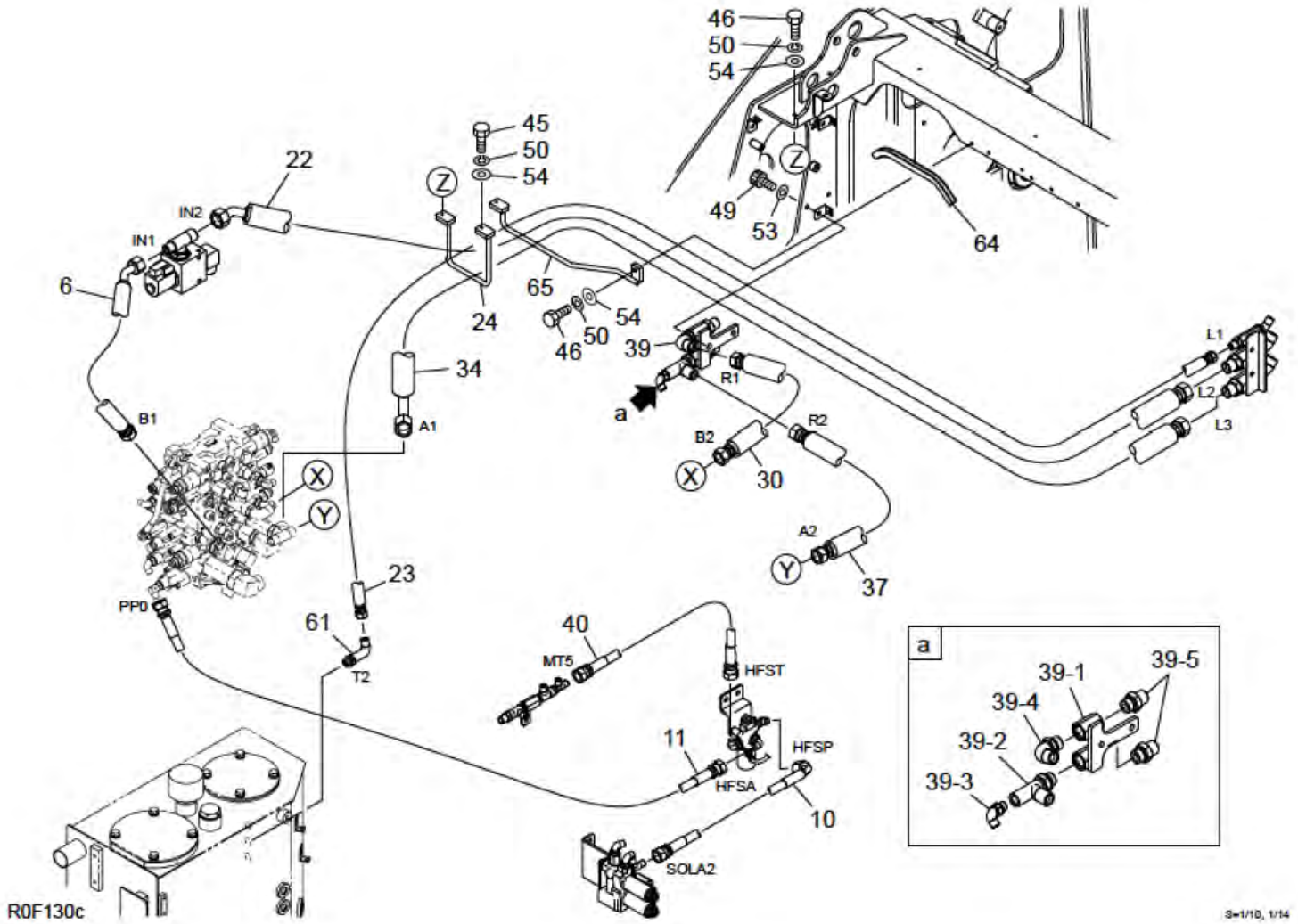
R0F130a

D-1/15

Item	Part No.	Name	Qty	Uom	Remarks	Serial Number
-	PNNA	PIPING ASSY		EA		
1	0003600020	WASHER	3	EA		
2	0007236044	CONNECTOR	2	EA		
3	0007300001	CLAMP	1	EA		
5	0567320800	CLAMP (LIGHT GRAY)	5	EA		
17	0697300102	HOSE ASSY	1	EA	18045-80100	
18	0697300103	HOSE ASSY	1	EA	18045-80092	
19	0697300104	HOSE ASSY	1	EA	18010-23145	
25	0697300203	PIPE	1	EA		
26	0697300206	PIPE	1	EA		
27	0697300208	PIPE	1	EA		
28	0697300223	CLAMP	2	EA		
29	0697300225	CLAMP	2	EA		
35	*****	BRACKET ASSY	1	EA		
35-1	0697300194	BRACKET	1	EA		
35-2	1515100113	ELBOW	2	EA		
35-2	1420010240	O-RING	1	EA		
35-3	1515102111	ELBOW	1	EA		
35-3	1420010140	O-RING	1	EA		
35-4	1515600203	ADAPTOR	2	EA		
35-4	1420010240	O-RING	1	EA		
35-5	1515600201	ADAPTOR	1	EA		
35-5	1420010140	O-RING	1	EA		
36	0697300265	PROTECTOR	1	EA		
41	*****	VALVE ASSY	1	EA	see page (2/2)	
42	0881733550	CLAMP (LIGHT GRAY)	1	EA		
43	0881733590	RUBBER	1	EA		
44	0881733600	RUBBER	2	EA		
47	1100051025	BOLT (10TM10 X 25 P/1.5)	17	EA		
49	1110051020	BOLT, socket (10TM10 X 20 P/1.5)	3	EA		
51	1140020010	WASHER, spring	17	EA		
53	1140420010	WASHER, spring	3	EA		
55	1141110010	WASHER, plain	14	EA		
57	1501750002	PLUG (FOR O-RING USE # 1420010110)	1	EA		
57	1420010110	O-RING	1	EA		
58	1511410003	CONNECTOR	1	EA		
58	1420010140	O-RING	1	EA		

Item	Part No.	Name	Qty	Uom	Remarks	Serial Number
4	0377000111	GROMMET	1	EA		
5	0567320800	CLAMP (LIGHT GRAY)	5	EA		
7	0697300011	HOSE ASSY	1	EA		
8	0697300019	HOSE ASSY	1	EA	18045-40044	
9	0697300020	HOSE ASSY	1	EA	18045-40047	
12	0697300039	HOSE ASSY	2	EA	18047-40078	
13	0697300040	HOSE ASSY	2	EA	18047-40050	
14	0697300070	PIPE	1	EA		
15	0697300071	PIPE	1	EA		
16	0697300096	PIPE	1	EA		
20	0697300107	HOSE ASSY	1	EA		
21	0697300108	HOSE ASSY	1	EA		
31	0697300258	HOSE ASSY	1	EA	18045-40210	
32	0697300259	HOSE ASSY	1	EA		
33	0697300260	HOSE ASSY	1	EA	18045-42220	
38	0697300269	PIPE	1	EA		
47	1100051025	BOLT (10TM10 X 25 P/1.5)	17	EA		
48	1100051260	BOLT (10TM12 X 60 P/1.75)	2	EA		
51	1140020010	WASHER, spring	17	EA		
52	1140020012	WASHER, spring (12MM)	2	EA		
55	1141110010	WASHER, plain	14	EA		
56	1141110012	WASHER	2	EA		
59	1512374002	TEE	2	EA		
59	1420010180	O-RING	1	EA		
60	1515012042	ELBOW	4	EA		
60	1420010180	O-RING	1	EA		
62	1515600202	ADAPTOR	4	EA		
62	1420010180	O-RING	1	EA		
63	1534100274	CLAMP	2	EA		

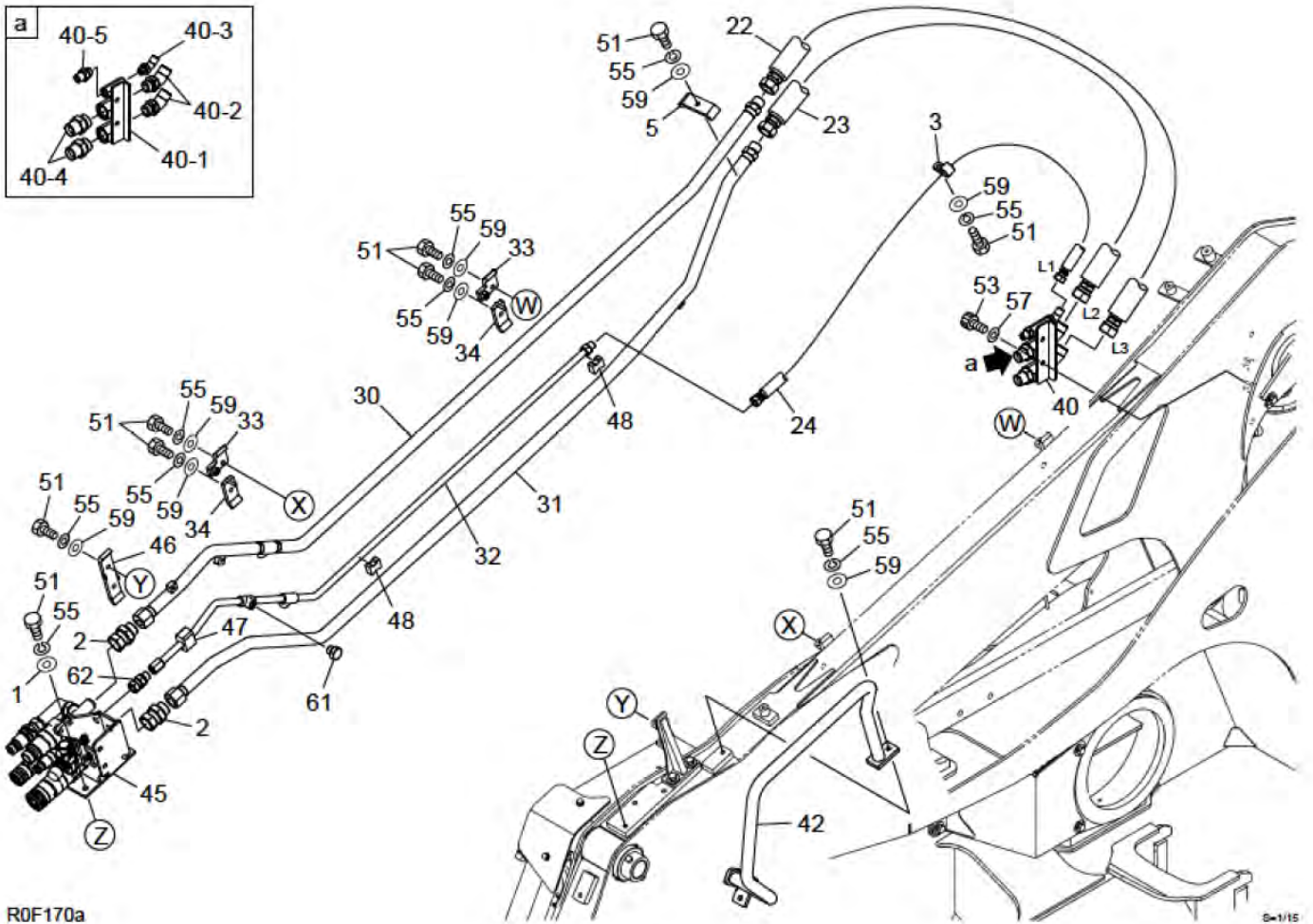
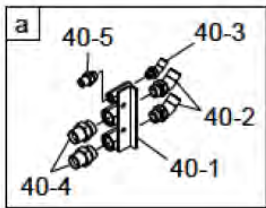
ATTACHMENT PIPING; ARM (1/2) (high flow) (with coupler) 3



3=1/10, 1/14

Item	Part No.	Name	Qty	Uom	Remarks	Serial Number
6	0697300009	HOSE ASSY	1	EA		
10	0697300025	HOSE ASSY	1	EA	18010-52062	
11	0697300027	HOSE ASSY	1	EA	18010-22100	
22	0697300111	HOSE ASSY	1	EA	18045-82145	
23	0697300113	HOSE ASSY	1	EA	18010-23245	
24	0697300121	GUIDE	1	EA		
30	0697300257	HOSE ASSY	1	EA	18045-40044	
34	0697300261	HOSE ASSY	1	EA	18045-81175	
37	0697300267	HOSE ASSY	1	EA	18045-40040	
39	0697300271	BRACKET ASSY	1	EA		
39-1	0697300255	BRACKET	1	EA		
39-2	1512340004	ELBOW	1	EA		
39-2	1420010180	O-RING	1	EA		
39-3	1515012040	ELBOW	1	EA		
39-3	1420010110	O-RING	1	EA		
39-4	1515012042	ELBOW	1	EA		
39-4	1420010180	O-RING	1	EA		
39-5	1515600202	ADAPTOR	2	EA		
40	0697300288	HOSE ASSY	1	EA	18010-22052	
45	1100090816	BOLT	1	EA		
46	1100050820	BOLT (10TM8 X 20 P/1.25)	3	EA		
49	1110051020	BOLT, socket (10TM10 X 20 P/1.5)	3	EA		
50	1140020008	WASHER, spring	4	EA		
53	1140420010	WASHER, spring	3	EA		
54	1141110008	WASHER	4	EA		
61	1515012511	ELBOW	1	EA		
61	1420010140	O-RING	1	EA		
64	1654624026	TRIM	1	EA	sold by the meter	
65	0697300284	GUIDE	1	EA		412000572~

ATTACHMENT PIPING; ARM (1/2) (high flow) (with coupler) (with ride control) (with 2nd aux. line) 1

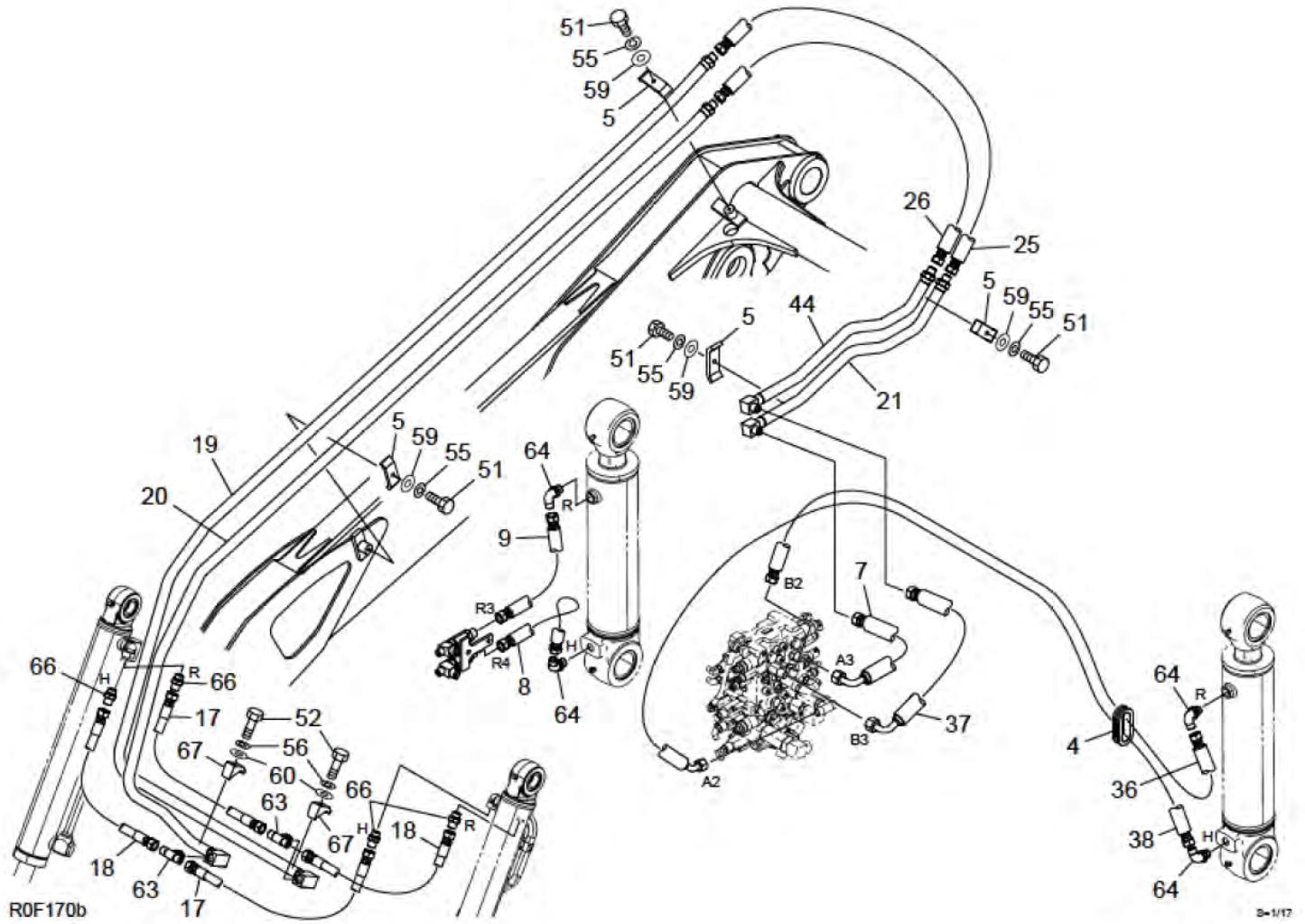


R0F170a

5-1/15

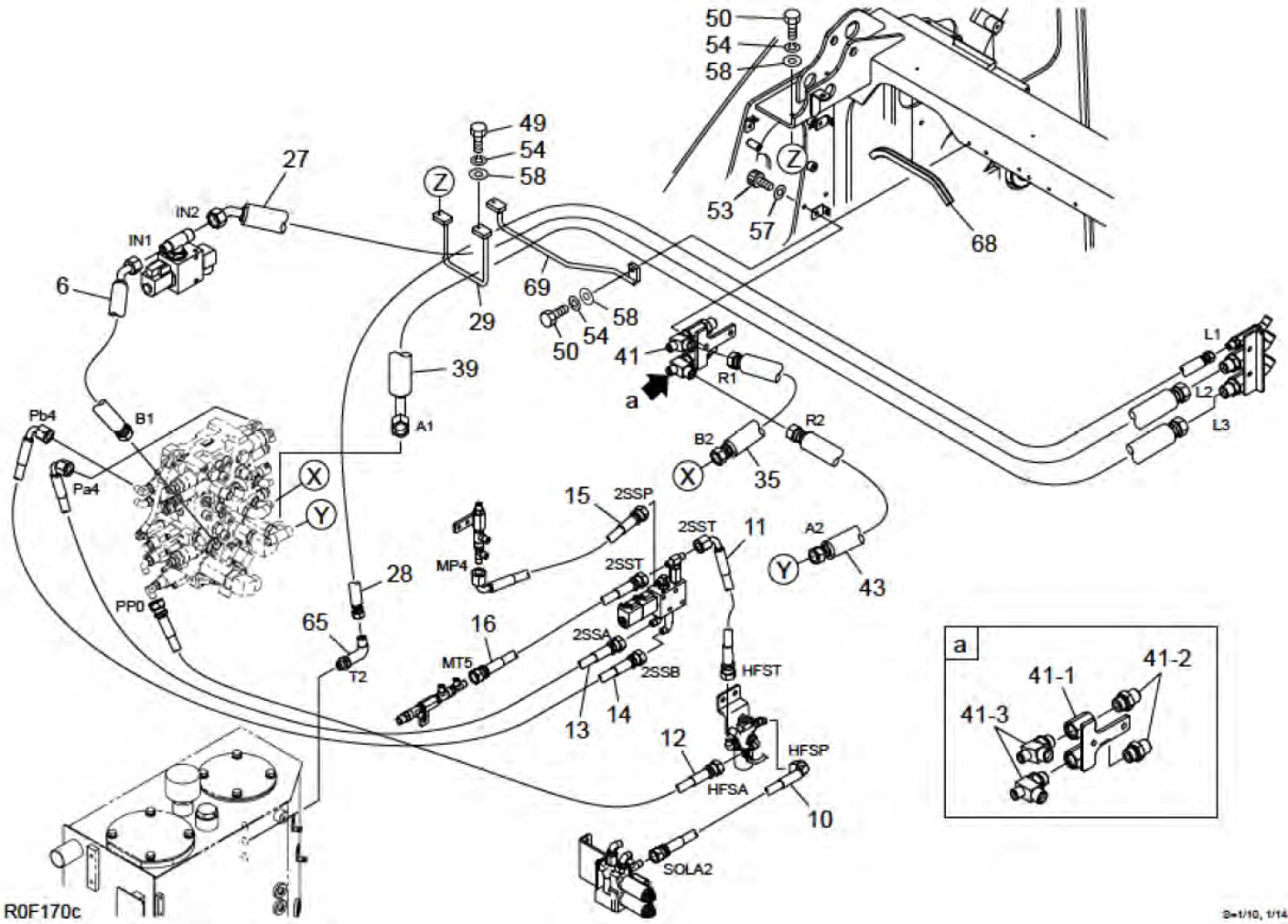
Item	Part No.	Name	Qty	Uom	Remarks	Serial Number
-	PNNA	PIPING ASSY		EA		
1	0003600020	WASHER	3	EA		
2	0007236044	CONNECTOR	2	EA		
3	0007300001	CLAMP	1	EA		
5	0567320800	CLAMP (LIGHT GRAY)	5	EA		
22	0697300102	HOSE ASSY	1	EA	18045-80100	
23	0697300103	HOSE ASSY	1	EA	18045-80092	
24	0697300104	HOSE ASSY	1	EA	18010-23145	
30	0697300203	PIPE	1	EA		
31	0697300206	PIPE	1	EA		
32	0697300208	PIPE	1	EA		
33	0697300223	CLAMP	2	EA		
34	0697300225	CLAMP	2	EA		
40	*****	BRACKET ASSY	1	EA		
40-1	0697300194	BRACKET	1	EA		
40-2	1515100113	ELBOW	2	EA		
40-2	1420010240	O-RING	1	EA		
40-3	1515102111	ELBOW	1	EA		
40-3	1420010140	O-RING	1	EA		
40-4	1515600203	ADAPTOR	2	EA		
40-4	1420010240	O-RING	1	EA		
40-5	1515600201	ADAPTOR	1	EA		
40-5	1420010140	O-RING	1	EA		
42	0697300265	PROTECTOR	1	EA		
45	*****	VALVE ASSY	1	EA	see page (2/2)	
46	0881733550	CLAMP (LIGHT GRAY)	1	EA		
47	0881733590	RUBBER	1	EA		
48	0881733600	RUBBER	2	EA		
51	1100051025	BOLT (10TM10 X 25 P/1.5)	17	EA		
53	1110051020	BOLT, socket (10TM10 X 20 P/1.5)	3	EA		
55	1140020010	WASHER, spring	17	EA		
57	1140420010	WASHER, spring	3	EA		
59	1141110010	WASHER, plain	14	EA		
61	1501750002	PLUG (FOR O-RING USE # 1420010110)	1	EA		
61	1420010110	O-RING	1	EA		
62	1511410003	CONNECTOR	1	EA		
62	1420010140	O-RING	1	EA		

ATTACHMENT PIPING; ARM (1/2) (high flow) (with coupler) (with ride control) (with 2nd aux. line) 2



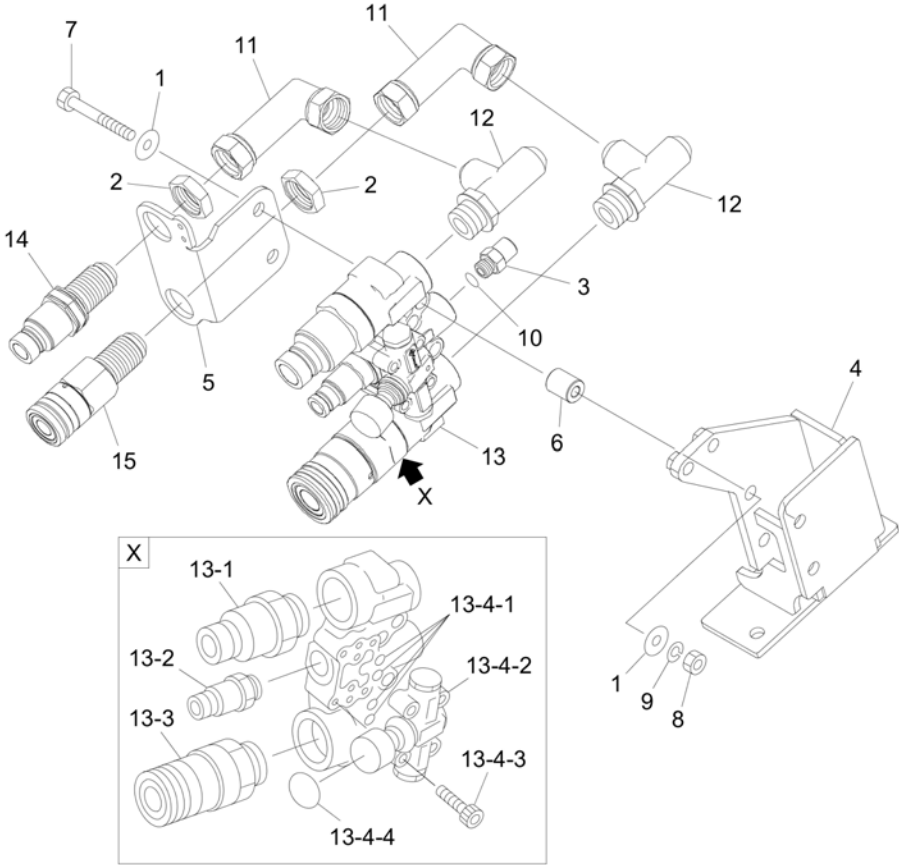
Item	Part No.	Name	Qty	Uom	Remarks	Serial Number
4	0377000111	GROMMET	1	EA		
5	0567320800	CLAMP (LIGHT GRAY)	5	EA		
7	0697300011	HOSE ASSY	1	EA		
8	0697300019	HOSE ASSY	1	EA	18045-40044	
9	0697300020	HOSE ASSY	1	EA	18045-40047	
17	0697300039	HOSE ASSY	2	EA	18047-40078	
18	0697300040	HOSE ASSY	2	EA	18047-40050	
19	0697300070	PIPE	1	EA		
20	0697300071	PIPE	1	EA		
21	0697300096	PIPE	1	EA		
25	0697300107	HOSE ASSY	1	EA		
26	0697300108	HOSE ASSY	1	EA		
36	0697300258	HOSE ASSY	1	EA	18045-40210	
37	0697300259	HOSE ASSY	1	EA		
38	0697300260	HOSE ASSY	1	EA	18045-42220	
44	0697300269	PIPE	1	EA		
51	1100051025	BOLT (10TM10 X 25 P/1.5)	17	EA		
52	1100051260	BOLT (10TM12 X 60 P/1.75)	2	EA		
55	1140020010	WASHER, spring	17	EA		
56	1140020012	WASHER, spring (12MM)	2	EA		
59	1141110010	WASHER, plain	14	EA		
60	1141110012	WASHER	2	EA		
63	1512374002	TEE	2	EA		
63	1420010180	O-RING	1	EA		
64	1515012042	ELBOW	4	EA		
64	1420010180	O-RING	1	EA		
66	1515600202	ADAPTOR	4	EA		
66	1420010180	O-RING	1	EA		
67	1534100274	CLAMP	2	EA		

ATTACHMENT PIPING; ARM (1/2) (high flow) (with coupler) (with ride control) (with 2nd aux. line) 3



Item	Part No.	Name	Qty	Uom	Remarks	Serial Number
6	0697300009	HOSE ASSY	1	EA		
10	0697300025	HOSE ASSY	1	EA	18010-52062	
11	0697300026	HOSE ASSY	1	EA	18010-52022	
12	0697300027	HOSE ASSY	1	EA	18010-22100	
13	0697300031	HOSE ASSY	1	EA	18010-52096	
14	0697300032	HOSE ASSY	1	EA	18010-52128	
15	0697300033	HOSE ASSY	1	EA	18010-52034	
16	0697300034	HOSE ASSY	1	EA	18010-22038	
27	0697300111	HOSE ASSY	1	EA	18045-82145	
28	0697300113	HOSE ASSY	1	EA	18010-23245	
29	0697300121	GUIDE	1	EA		
35	0697300257	HOSE ASSY	1	EA	18045-40044	
39	0697300261	HOSE ASSY	1	EA	18045-81175	
41	*****	BRACKET ASSY	1	EA		
41-1	0697300255	BRACKET	1	EA		
41-2	1515600202	ADAPTOR	2	EA		
41-2	1420010180	O-RING	1	EA		
41-3	1512373017	TEE	2	EA		
43	0697300267	HOSE ASSY	1	EA	18045-40040	
49	1100090816	BOLT	1	EA		
50	1100050820	BOLT (10TM8 X 20 P/1.25)	3	EA		
53	1110051020	BOLT, socket (10TM10 X 20 P/1.5)	3	EA		
54	1140020008	WASHER, spring	4	EA		
57	1140420010	WASHER, spring	3	EA		
58	1141110008	WASHER	4	EA		
65	1515012511	ELBOW	1	EA		
65	1420010140	O-RING	1	EA		
68	1654624026	TRIM	1	EA	sold by the meter	
69	0697300284	GUIDE	1	EA		412000572~

ATTACHMENT PIPING; ARM (2/2) (high flow) (with coupler)

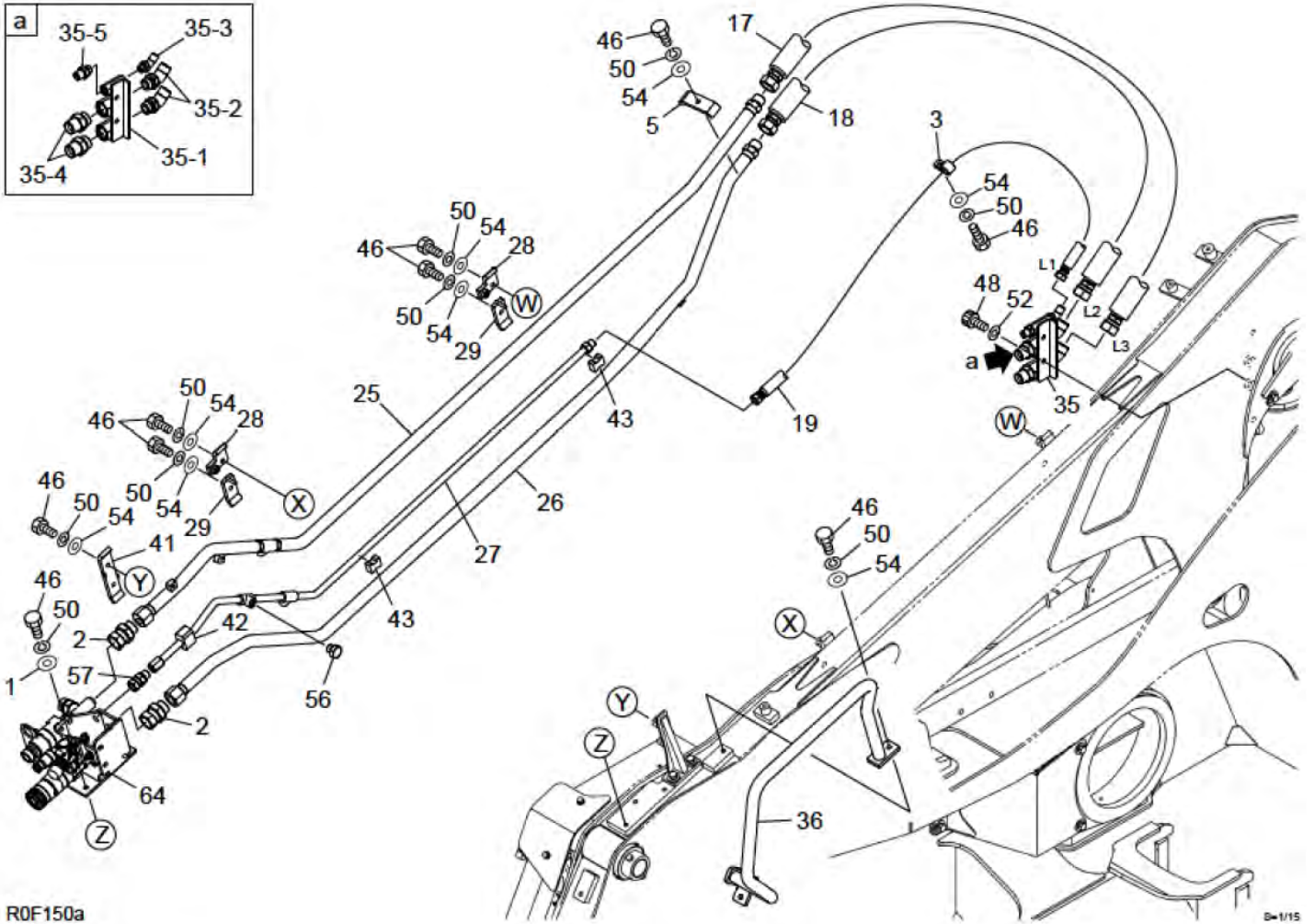
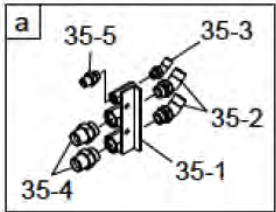


ROF140

S=1/5

Item	Part No.	Name	Qty	Uom	Remarks	Serial Number
0	*****	PLUG	1	EA		
1	0003608252	WASHER	4	EA		
2	0007200233	NUT	2	EA		
3	0007203017	O-RING (TAPERED) (3/8" MALE)	1	EA		
4	0697300272	BRACKET	1	EA		
5	0697309200	BRACKET	1	EA		
6	0697309210	SPACER	2	EA		
7	1100040885	BOLT	2	EA		
8	1130050008	NUT	2	EA		
9	1140020008	WASHER, spring	2	EA		
10	1420310906	O-RING (ARP568-906-1B)	1	EA		
11	1513390052	CONNECTOR	2	EA		
12	1513390053	TEE	2	EA		
12	1420310912	O-RING (ARP568-912-1B)	1	EA		
13	1901758600	BLOCK, coupler	1	EA		
13-1	1901758601	ADAPTOR	1	EA		
13-1	1901758604	O-RING (SATURN BLK KIT) (SEE COMMENTS)	1	EA	FOR USE ON # K28857008, K28857009, K28857010 & K28857012	
13-2	1901758602	SATURN BLOCK ADAPTOR MALE 1/2 INCH SAE	1	EA		
13-2	1901758605	SATURN BLOCK (O-RING KIT FOR #1901758602)	1	EA		
13-3	1901758603	ADAPTOR	1	EA		
13-3	1901758604	O-RING (SATURN BLK KIT) (SEE COMMENTS)	1	EA	FOR USE ON # K28857008, K28857009, K28857010 & K28857012	
13-4	1901758698	SPARE KIT	1	EA		
13-4-1	1901758606	SATURN BLK O-RING (FOR K28857008 & K28857009)	4	EA		
13-4-2	1901758607	VALVE, relief	1	EA		
13-4-3	1901758608	SCREW, cap	4	EA		
13-4-4	1901758609	DECAL	1	EA		
14	1901758700	COUPLER, quick	1	EA		
15	1901758800	COUPLER, quick	1	EA		

ATTACHMENT PIPING; ARM (1/2) (high flow) (with 3/4 coupler) 1

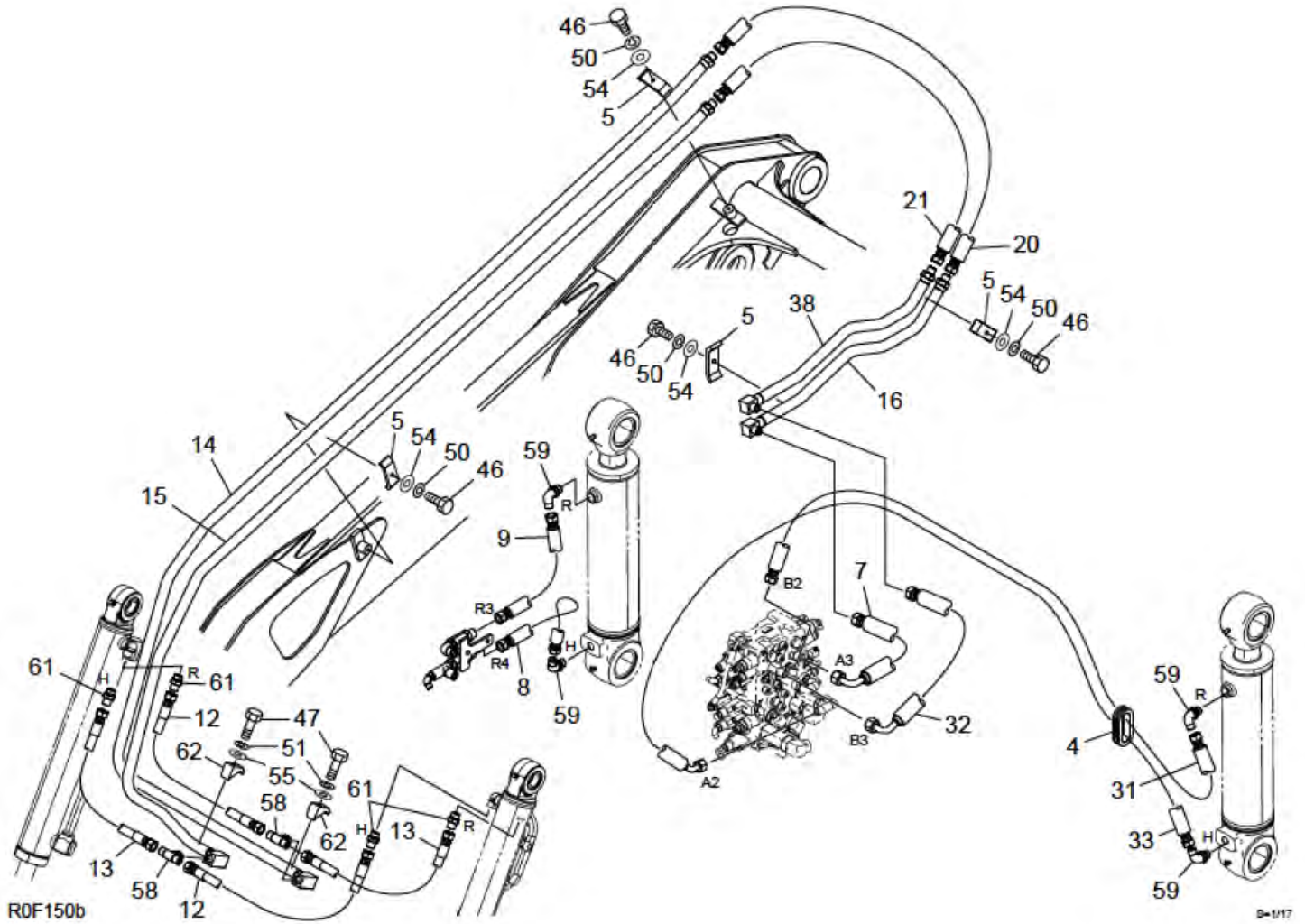


ROF150a

D-1/15

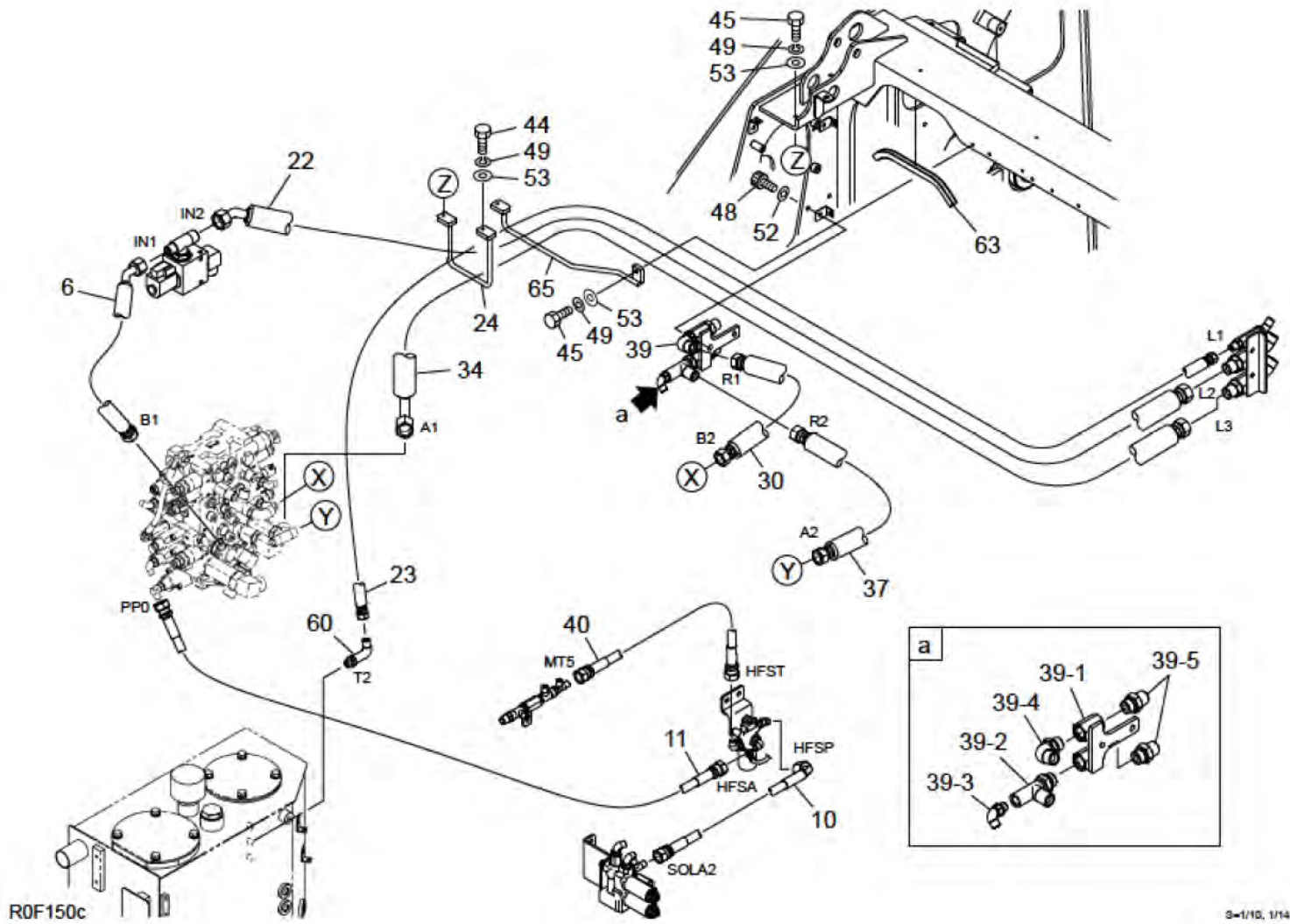
Item	Part No.	Name	Qty	Uom	Remarks	Serial Number
-	PNNA	PIPING ASSY		EA		
1	0003600020	WASHER	3	EA		
2	0007236044	CONNECTOR	2	EA		
3	0007300001	CLAMP	1	EA		
5	0567320800	CLAMP (LIGHT GRAY)	5	EA		
17	0697300102	HOSE ASSY	1	EA	18045-80100	
18	0697300103	HOSE ASSY	1	EA	18045-80092	
19	0697300104	HOSE ASSY	1	EA	18010-23145	
25	0697300203	PIPE	1	EA		
26	0697300206	PIPE	1	EA		
27	0697300208	PIPE	1	EA		
28	0697300223	CLAMP	2	EA		
29	0697300225	CLAMP	2	EA		
35	*****	BRACKET ASSY	1	EA		
35-1	0697300194	BRACKET	1	EA		
35-2	1515100113	ELBOW	2	EA		
35-2	1420010240	O-RING	1	EA		
35-3	1515102111	ELBOW	1	EA		
35-3	1420010140	O-RING	1	EA		
35-4	1515600203	ADAPTOR	2	EA		
35-4	1420010240	O-RING	1	EA		
35-5	1515600201	ADAPTOR	1	EA		
36	0697300265	PROTECTOR	1	EA		
41	0881733550	CLAMP (LIGHT GRAY)	1	EA		
42	0881733590	RUBBER	1	EA		
43	0881733600	RUBBER	2	EA		
46	1100051025	BOLT (10TM10 X 25 P/1.5)	17	EA		
48	1110051020	BOLT, socket (10TM10 X 20 P/1.5)	3	EA		
50	1140020010	WASHER, spring	17	EA		
52	1140420010	WASHER, spring	3	EA		
54	1141110010	WASHER, plain	14	EA		
56	1501750002	PLUG (FOR O-RING USE # 1420010110)	1	EA		
56	1420010110	O-RING	1	EA		
57	1511410003	CONNECTOR	1	EA		
57	1420010140	O-RING	1	EA		
64	*****	VALVE ASSY	1	EA	see page (2/2)	

ATTACHMENT PIPING; ARM (1/2) (high flow) (with 3/4 coupler) 2



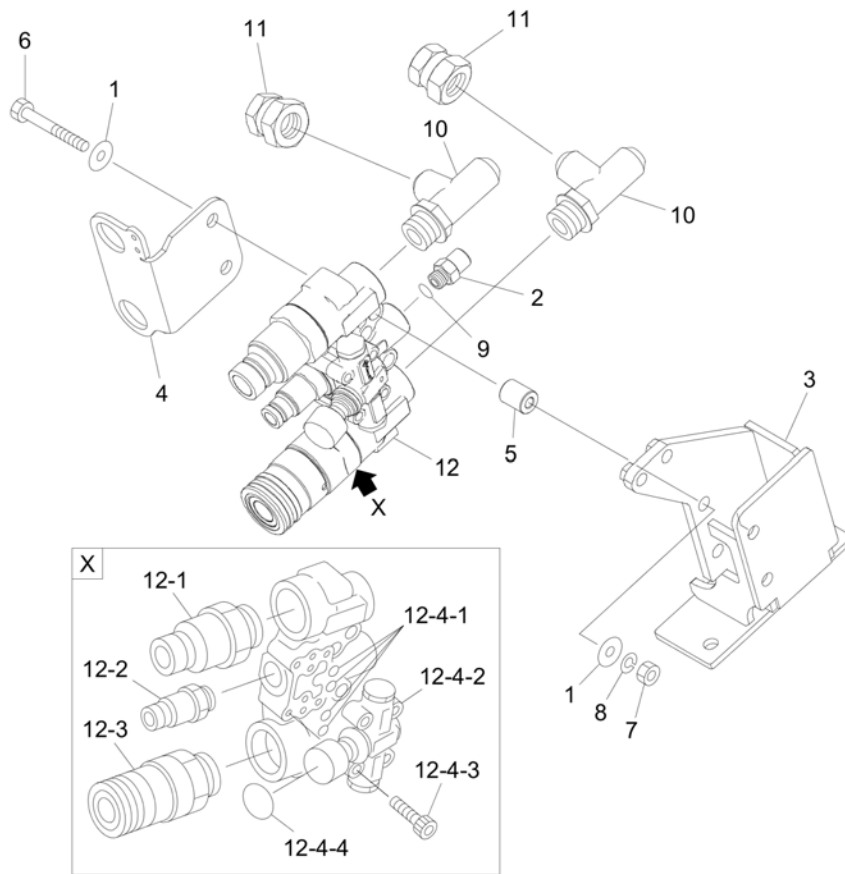
Item	Part No.	Name	Qty	Uom	Remarks	Serial Number
4	0377000111	GROMMET	1	EA		
5	0567320800	CLAMP (LIGHT GRAY)	5	EA		
7	0697300011	HOSE ASSY	1	EA		
8	0697300019	HOSE ASSY	1	EA	18045-40044	
9	0697300020	HOSE ASSY	1	EA	18045-40047	
12	0697300039	HOSE ASSY	2	EA	18047-40078	
13	0697300040	HOSE ASSY	2	EA	18047-40050	
14	0697300070	PIPE	1	EA		
15	0697300071	PIPE	1	EA		
16	0697300096	PIPE	1	EA		
20	0697300107	HOSE ASSY	1	EA		
21	0697300108	HOSE ASSY	1	EA		
31	0697300258	HOSE ASSY	1	EA	18045-40210	
32	0697300259	HOSE ASSY	1	EA		
33	0697300260	HOSE ASSY	1	EA	18045-42220	
38	0697300269	PIPE	1	EA		
46	1100051025	BOLT (10TM10 X 25 P/1.5)	17	EA		
47	1100051260	BOLT (10TM12 X 60 P/1.75)	2	EA		
50	1140020010	WASHER, spring	17	EA		
51	1140020012	WASHER, spring (12MM)	2	EA		
54	1141110010	WASHER, plain	14	EA		
55	1141110012	WASHER	2	EA		
58	1512374002	TEE	2	EA		
58	1420010180	O-RING	1	EA		
59	1515012042	ELBOW	4	EA		
59	1420010180	O-RING	1	EA		
61	1515600202	ADAPTOR	4	EA		
61	1420010180	O-RING	1	EA		
62	1534100274	CLAMP	2	EA		

ATTACHMENT PIPING; ARM (1/2) (high flow) (with 3/4 coupler) 3



Item	Part No.	Name	Qty	Uom	Remarks	Serial Number
6	0697300009	HOSE ASSY	1	EA		
10	0697300025	HOSE ASSY	1	EA	18010-52062	
11	0697300027	HOSE ASSY	1	EA	18010-22100	
22	0697300111	HOSE ASSY	1	EA	18045-82145	
23	0697300113	HOSE ASSY	1	EA	18010-23245	
24	0697300121	GUIDE	1	EA		
30	0697300257	HOSE ASSY	1	EA	18045-40044	
34	0697300261	HOSE ASSY	1	EA	18045-81175	
37	0697300267	HOSE ASSY	1	EA	18045-40040	
39	*****	BRACKET ASSY	1	EA		
39-1	0697300255	BRACKET	1	EA		
39-2	1420010180	O-RING	1	EA		
39-2	1512340004	ELBOW	1	EA		
39-3	1515012040	ELBOW	1	EA		
39-3	1420010110	O-RING	1	EA		
39-4	1515012042	ELBOW	1	EA		
39-4	1420010180	O-RING	1	EA		
39-5	1515600202	ADAPTOR	2	EA		
40	0697300288	HOSE ASSY	1	EA	18010-22052	
44	1100090816	BOLT	1	EA		
45	1100050820	BOLT (10TM8 X 20 P/1.25)	3	EA		
48	1110051020	BOLT, socket (10TM10 X 20 P/1.5)	3	EA		
49	1140020008	WASHER, spring	4	EA		
52	1140420010	WASHER, spring	3	EA		
53	1141110008	WASHER	4	EA		
60	1515012511	ELBOW	1	EA		
60	1420010140	O-RING	1	EA		
63	1654624026	TRIM	1	EA	sold by the meter	
65	0697300284	GUIDE	1	EA		412000572~

ATTACHMENT PIPING; ARM (2/2) (high flow) (with 3/4 coupler)



ROF160

S=1/5

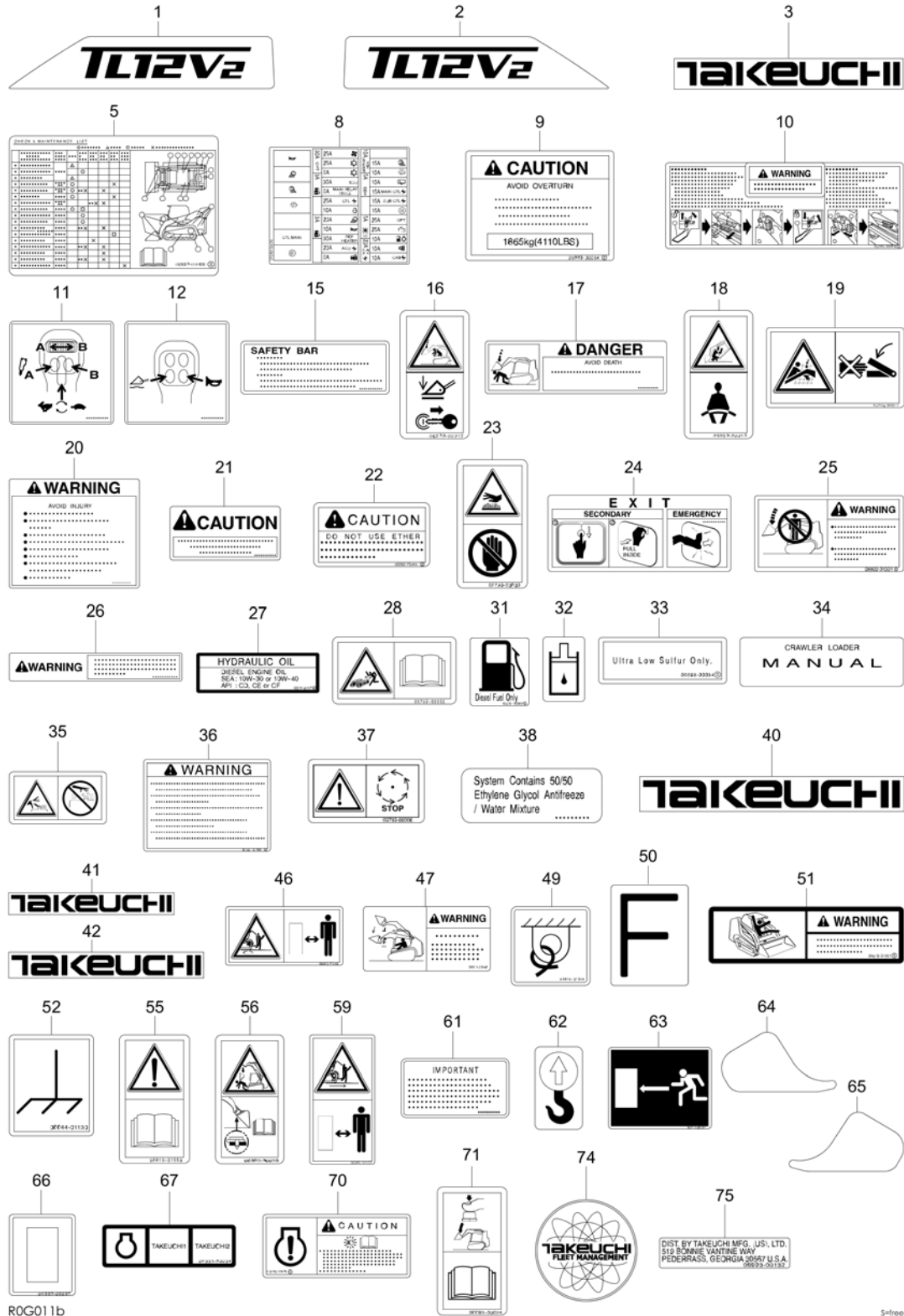
Item	Part No.	Name	Qty	Uom	Remarks	Serial Number
0	*****	VALVE ASSY	1	EA		
1	0003608252	WASHER	4	EA		
2	0007203017	O-RING (TAPERED) (3/8" MALE)	1	EA		
3	0697300272	BRACKET	1	EA		
4	0697309200	BRACKET	1	EA		
5	0697309210	SPACER	2	EA		
6	1100040885	BOLT	2	EA		
7	1130050008	NUT	2	EA		
8	1140020008	WASHER, spring	2	EA		
9	1420310906	O-RING (ARP568-906-1B)	1	EA		
10	1513390053	TEE	2	EA		
10	1420310912	O-RING (ARP568-912-1B)	1	EA		
11	1513980012	SOCKET	2	EA		
12	1901758600	BLOCK, coupler	1	EA		
12-1	1901758601	ADAPTOR	1	EA		
12-1	1901758604	O-RING (SATURN BLK KIT) (SEE COMMENTS)	1	EA	FOR USE ON # K28857008, K28857009, K28857010 & K28857012	
12-2	1901758602	SATURN BLOCK ADAPTOR MALE 1/2 INCH SAE	1	EA		
12-2	1901758605	SATURN BLOCK (O-RING KIT FOR #1901758602)	1	EA		
12-3	1901758603	ADAPTOR	1	EA		
12-3	1901758604	O-RING (SATURN BLK KIT) (SEE COMMENTS)	1	EA	FOR USE ON # K28857008, K28857009, K28857010 & K28857012	
12-4	1901758698	SPARE KIT	1	EA		
12-4-1	1901758606	SATURN BLK O-RING (FOR K28857008 & K28857009)	4	EA		
12-4-2	1901758607	VALVE, relief	1	EA		
12-4-3	1901758608	SCREW, cap	4	EA		
12-4-4	1901758609	DECAL	1	EA		

Item	Part No.	Name	Qty	Uom	Remarks	Serial Number
0	0699300086	DECAL SET (CANOPY)	1	EA		
1	0699300080	DECAL	1	EA		
2	0699300081	DECAL	1	EA		
3	0008500050	DECAL	2	EA		
5	0699300099	DECAL	1	EA		
8	0699300063	DECAL	1	EA		
9	0699300064	DECAL	1	EA		
10	0699300095	DECAL	1	EA		
11	0882030006	DECAL	1	EA		
12	0882030007	DECAL	1	EA		
13	*****	DECAL	1	EA		
15	0880031001	DECAL (English) "SAFETY BAR"	1	EA		
16	0659300012	DECAL	1	EA		
17	0880030010	DECAL (English) "DANGER"	1	EA		
18	0659300013	DECAL	1	EA		
19	0659300011	DECAL "WARNING"	3	EA		
20	0881030020	DECAL (English) "WARNING AVOID INJURY"	1	EA		
21	0880030015	DECAL (English) "CAUTION"	1	EA		
22	0339375040	DECAL (English) "CAUTION DO NOT USE EITHER"	1	EA		
23	0579303630	DECAL	1	EA		
24	0880031018	DECAL (English) "EXIT"	1	EA		
25	0880031005	DECAL (English) "WARNING"	2	EA		
26	0881030026	DECAL "WARNING OPERATOR MUST HAVE TRAINING" (ENG)	1	EA		
27	0880031017	DECAL (English) (OIL)	1	EA		
28	0579300052	DECAL	2	EA		
29	*****	DECAL	1	EA		
30	*****	DECAL	1	EA		
31	0359306600	DECAL (English) "DIESEL FUEL ONLY"	1	EA		
32	0359306700	DECAL (HYDRAULIC OIL-SAE SYMBOL)	1	EA		
33	0669300034	DECAL (English, for U.S.)	1	EA		
34	0880031016	DECAL (English)	1	EA		
35	0882031135	DECAL (English) "RADIATOR HOT"	1	EA		
36	0359313700	DECAL (English) "WARNING"	1	EA		
37	0379366006	DECAL(English)"CAUTION STOP ENGINE BEFORE OPENING"	1	EA		

This page intentionally left blank

Item	Part No.	Name	Qty	Uom	Remarks	Serial Number
38	0359313900	DECAL (U.S. TAKEUCHI) (ANTIFREEZE)	1	EA		
40	0699300073	DECAL	2	EA		
41	0699300074	DECAL "TAKEUCHI LOGOTYPE"	1	EA		
42	0699300075	DECAL	1	EA		
44	*****	SCREW	8	EA		
46	0882031046	DECAL	1	EA		
47	0881030046	DECAL (English) "WARNING"	2	EA		
49	0881031549	DECAL (TIE DOWN POINT)	4	EA		
50	0399300400	DECAL	1	EA		
51	0881031551	DECAL (English)	1	EA		
52	0664401130	DECAL	1	EA		
55	0881031556	DECAL	1	EA		
56	0689300035	DECAL	1	EA		
59	0882031159	DECAL	2	EA		
61	0339376240	DECAL (English) "IMPORTANT DO NOT DAMAGE RADIATOR"	1	EA		
62	0399300500	DECAL (LIFT POINT)	4	EA		
63	0871086051	DECAL	1	EA		
64	0699300078	DECAL	1	EA		
65	0699300079	DECAL	1	EA		
66	0699300093	DECAL	1	EA		
67	0699300094	DECAL	1	EA		
70	0569300090	DECAL (English)	1	EA		
71	0669300024	DECAL	1	EA		
72	*****	DECAL	1	EA		
73	*****	DECAL	1	EA		
74	0359300052	DECAL (TFM DECAL)	1	EA		
75	0699300132	DECAL	1	EA		

DECAL & TOOL DECAL (canopy) (English) 2



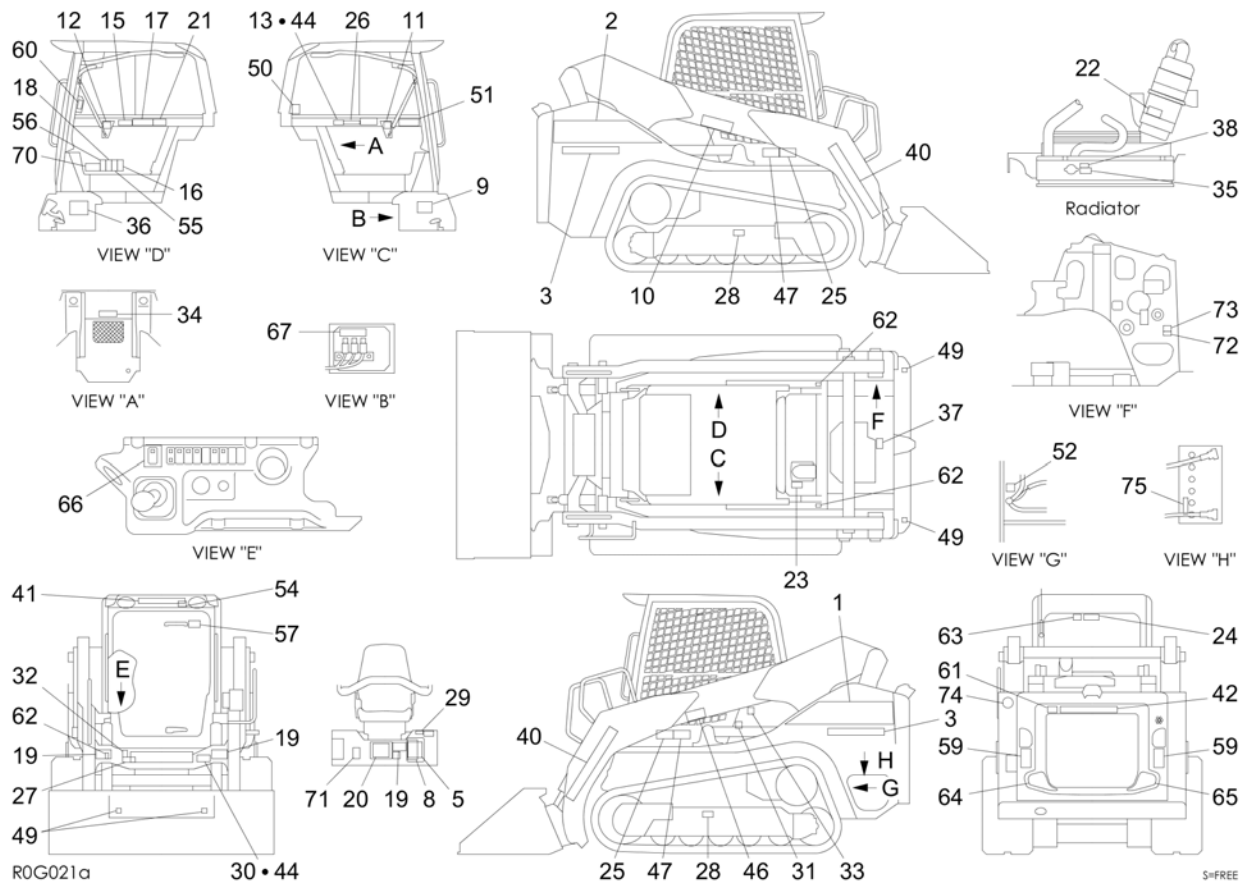
ROG011b

S-free

Item	Part No.	Name	Qty	Uom	Remarks	Serial Number
0	0699300086	DECAL SET (CANOPY)	1	EA		
1	0699300080	DECAL	1	EA		
2	0699300081	DECAL	1	EA		
3	0008500050	DECAL	2	EA		
5	0699300099	DECAL	1	EA		
8	0699300063	DECAL	1	EA		
9	0699300064	DECAL	1	EA		
10	0699300095	DECAL	1	EA		
11	0882030006	DECAL	1	EA		
12	0882030007	DECAL	1	EA		
15	0880031001	DECAL (English) "SAFETY BAR"	1	EA		
16	0659300012	DECAL	1	EA		
17	0880030010	DECAL (English) "DANGER"	1	EA		
18	0659300013	DECAL	1	EA		
19	0659300011	DECAL "WARNING"	3	EA		
20	0881030020	DECAL (English) "WARNING AVOID INJURY"	1	EA		
21	0880030015	DECAL (English) "CAUTION"	1	EA		
22	0339375040	DECAL (English) "CAUTION DO NOT USE EITHER"	1	EA		
23	0579303630	DECAL	1	EA		
24	0880031018	DECAL (English) "EXIT"	1	EA		
25	0880031005	DECAL (English) "WARNING"	2	EA		
26	0881030026	DECAL "WARNING OPERATOR MUST HAVE TRAINING" (ENG)	1	EA		
27	0880031017	DECAL (English) (OIL)	1	EA		
28	0579300052	DECAL	2	EA		
31	0359306600	DECAL (English) "DIESEL FUEL ONLY"	1	EA		
32	0359306700	DECAL (HYDRAULIC OIL-SAE SYMBOL)	1	EA		
33	0669300034	DECAL (English, for U.S.)	1	EA		
34	0880031016	DECAL (English)	1	EA		
35	0882031135	DECAL (English) "RADIATOR HOT"	1	EA		
36	0359313700	DECAL (English) "WARNING"	1	EA		
37	0379366006	DECAL(English)"CAUTION STOP ENGINE BEFORE OPENING"	1	EA		
38	0359313900	DECAL (U.S. TAKEUCHI) (ANTIFREEZE)	1	EA		
40	0699300073	DECAL	2	EA		

This page intentionally left blank

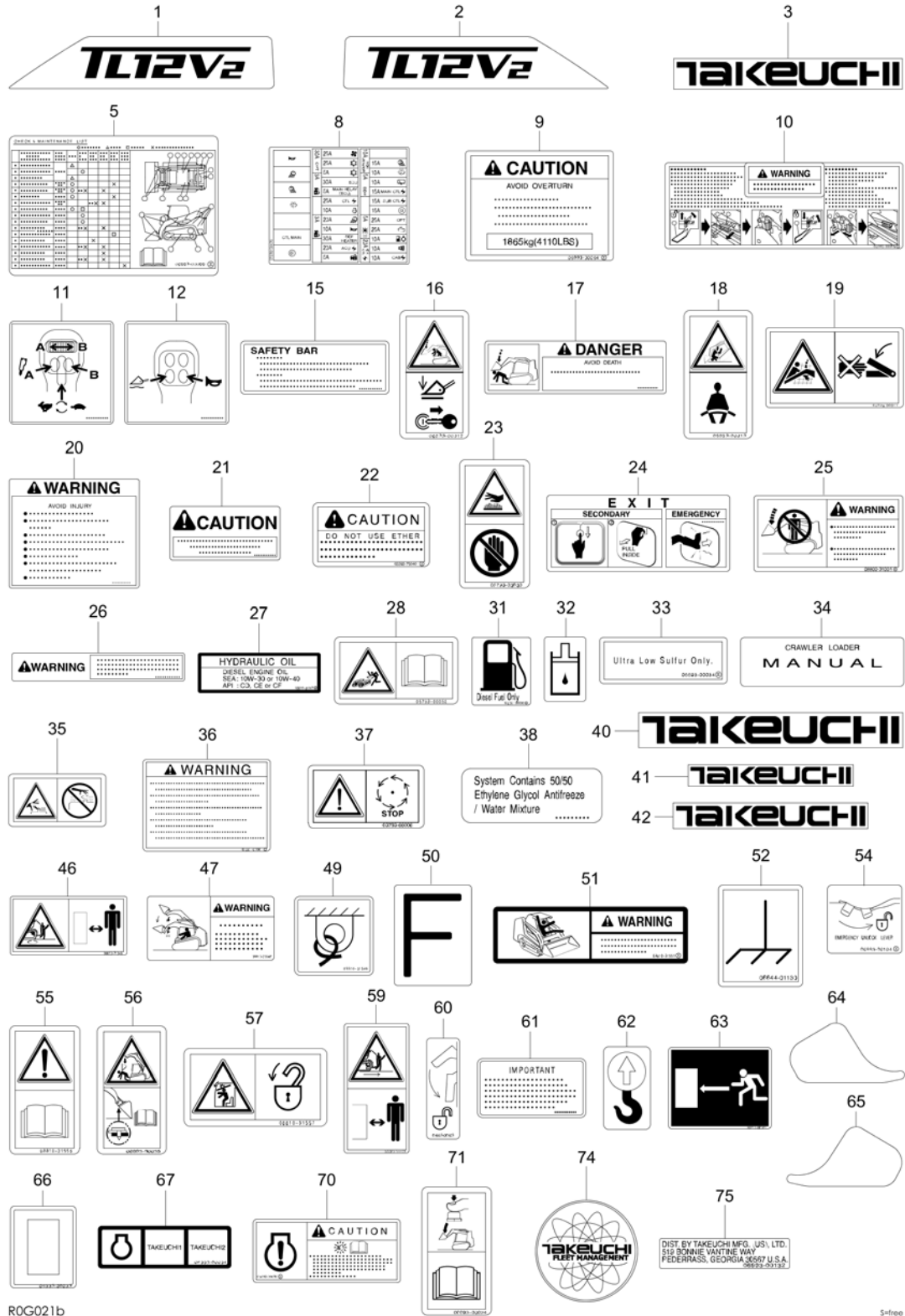
Item	Part No.	Name	Qty	Uom	Remarks	Serial Number
41	0699300074	DECAL "TAKEUCHI LOGOTYPE"	1	EA		
42	0699300075	DECAL	1	EA		
46	0882031046	DECAL	1	EA		
47	0881030046	DECAL (English) "WARNING"	2	EA		
49	0881031549	DECAL (TIE DOWN POINT)	4	EA		
50	0399300400	DECAL	1	EA		
51	0881031551	DECAL (English)	1	EA		
52	0664401130	DECAL	1	EA		
55	0881031556	DECAL	1	EA		
56	0689300035	DECAL	1	EA		
59	0882031159	DECAL	2	EA		
61	0339376240	DECAL (English) "IMPORTANT DO NOT DAMAGE RADIATOR"	1	EA		
62	0399300500	DECAL (LIFT POINT)	4	EA		
63	0871086051	DECAL	1	EA		
64	0699300078	DECAL	1	EA		
65	0699300079	DECAL	1	EA		
66	0699300093	DECAL	1	EA		
67	0699300094	DECAL	1	EA		
70	0569300090	DECAL (English)	1	EA		
71	0669300024	DECAL	1	EA		
74	0359300052	DECAL (TFM DECAL)	1	EA		
75	0699300132	DECAL	1	EA		



Item	Part No.	Name	Qty	Uom	Remarks	Serial Number
0	0699300087	DECAL SET (for U.S.)	1	EA		
1	0699300080	DECAL	1	EA		
2	0699300081	DECAL	1	EA		
3	0008500050	DECAL	2	EA		
5	0699300099	DECAL	1	EA		
8	0699300063	DECAL	1	EA		
9	0699300064	DECAL	1	EA		
10	0699300095	DECAL	1	EA		
11	0882030006	DECAL	1	EA		
12	0882030007	DECAL	1	EA		
13	*****	DECAL	1	EA		
15	0880031001	DECAL (English) "SAFETY BAR"	1	EA		
16	0659300012	DECAL	1	EA		
17	0880030010	DECAL (English) "DANGER"	1	EA		
18	0659300013	DECAL	1	EA		
19	0659300011	DECAL "WARNING"	3	EA		
20	0881030020	DECAL (English) "WARNING AVOID INJURY"	1	EA		
21	0880030015	DECAL (English) "CAUTION"	1	EA		
22	0339375040	DECAL (English) "CAUTION DO NOT USE EITHER"	1	EA		
23	0579303630	DECAL	1	EA		
24	0880031018	DECAL (English) "EXIT"	1	EA		
25	0880031005	DECAL (English) "WARNING"	2	EA		
26	0881030026	DECAL "WARNING OPERATOR MUST HAVE TRAINING" (ENG)	1	EA		
27	0880031017	DECAL (English) (OIL)	1	EA		
28	0579300052	DECAL	2	EA		
29	*****	DECAL	1	EA		
30	*****	DECAL	1	EA		
31	0359306600	DECAL (English) "DIESEL FUEL ONLY"	1	EA		
32	0359306700	DECAL (HYDRAULIC OIL-SAE SYMBOL)	1	EA		
33	0669300034	DECAL (English, for U.S.)	1	EA		
34	0880031016	DECAL (English)	1	EA		
35	0882031135	DECAL (English) "RADIATOR HOT"	1	EA		
36	0359313700	DECAL (English) "WARNING"	1	EA		
37	0379366006	DECAL(English)"CAUTION STOP ENGINE BEFORE OPENING"	1	EA		

This page intentionally left blank

Item	Part No.	Name	Qty	Uom	Remarks	Serial Number
38	0359313900	DECAL (U.S. TAKEUCHI) (ANTIFREEZE)	1	EA		
40	0699300073	DECAL	2	EA		
41	0699300074	DECAL "TAKEUCHI LOGOTYPE"	1	EA		
42	0699300075	DECAL	1	EA		
44	*****	SCREW	8	EA		
46	0882031046	DECAL	1	EA		
47	0881030046	DECAL (English) "WARNING"	2	EA		
49	0881031549	DECAL (TIE DOWN POINT)	4	EA		
50	0399300400	DECAL	1	EA		
51	0881031551	DECAL (English)	1	EA		
52	0664401130	DECAL	1	EA		
54	0699300104	DECAL	1	EA		
55	0881031556	DECAL	1	EA		
56	0689300035	DECAL	1	EA		
57	0881031557	DECAL	1	EA		
59	0882031159	DECAL	2	EA		
60	0699300103	DECAL	1	EA		
61	0339376240	DECAL (English) "IMPORTANT DO NOT DAMAGE RADIATOR"	1	EA		
62	0399300500	DECAL (LIFT POINT)	4	EA		
63	0871086051	DECAL	1	EA		
64	0699300078	DECAL	1	EA		
65	0699300079	DECAL	1	EA		
66	0699300093	DECAL	1	EA		
67	0699300094	DECAL	1	EA		
70	0569300090	DECAL (English)	1	EA		
71	0669300024	DECAL	1	EA		
72	*****	DECAL	1	EA		
73	*****	DECAL	1	EA		
74	0359300052	DECAL (TFM DECAL)	1	EA	for U.S.	
75	0699300132	DECAL	1	EA	for U.S.	



R0G021b

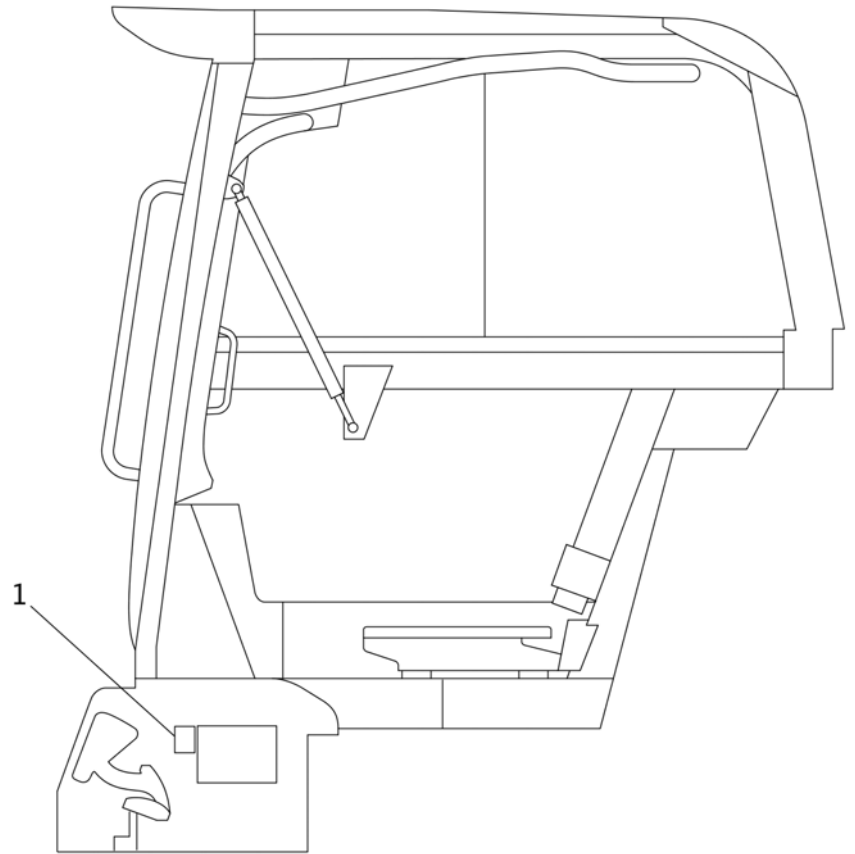
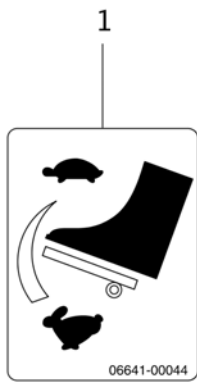
S=free

Item	Part No.	Name	Qty	Uom	Remarks	Serial Number
0	0699300087	DECAL SET (for U.S.)	1	EA		
1	0699300080	DECAL	1	EA		
2	0699300081	DECAL	1	EA		
3	0008500050	DECAL	2	EA		
5	0699300099	DECAL	1	EA		
8	0699300063	DECAL	1	EA		
9	0699300064	DECAL	1	EA		
10	0699300095	DECAL	1	EA		
11	0882030006	DECAL	1	EA		
12	0882030007	DECAL	1	EA		
15	0880031001	DECAL (English) "SAFETY BAR"	1	EA		
16	0659300012	DECAL	1	EA		
17	0880030010	DECAL (English) "DANGER"	1	EA		
18	0659300013	DECAL	1	EA		
19	0659300011	DECAL "WARNING"	3	EA		
20	0881030020	DECAL (English) "WARNING AVOID INJURY"	1	EA		
21	0880030015	DECAL (English) "CAUTION"	1	EA		
22	0339375040	DECAL (English) "CAUTION DO NOT USE EITHER"	1	EA		
23	0579303630	DECAL	1	EA		
24	0880031018	DECAL (English) "EXIT"	1	EA		
25	0880031005	DECAL (English) "WARNING"	2	EA		
26	0881030026	DECAL "WARNING OPERATOR MUST HAVE TRAINING" (ENG)	1	EA		
27	0880031017	DECAL (English) (OIL)	1	EA		
28	0579300052	DECAL	2	EA		
31	0359306600	DECAL (English) "DIESEL FUEL ONLY"	1	EA		
32	0359306700	DECAL (HYDRAULIC OIL-SAE SYMBOL)	1	EA		
33	0669300034	DECAL (English, for U.S.)	1	EA		
34	0880031016	DECAL (English)	1	EA		
35	0882031135	DECAL (English) "RADIATOR HOT"	1	EA		
36	0359313700	DECAL (English) "WARNING"	1	EA		
37	0379366006	DECAL(English)"CAUTION STOP ENGINE BEFORE OPENING"	1	EA		
38	0359313900	DECAL (U.S. TAKEUCHI) (ANTIFREEZE)	1	EA		
40	0699300073	DECAL	2	EA		

This page intentionally left blank

Item	Part No.	Name	Qty	Uom	Remarks	Serial Number
41	0699300074	DECAL "TAKEUCHI LOGOTYPE"	1	EA		
42	0699300075	DECAL	1	EA		
46	0882031046	DECAL	1	EA		
47	0881030046	DECAL (English) "WARNING"	2	EA		
49	0881031549	DECAL (TIE DOWN POINT)	4	EA		
50	0399300400	DECAL	1	EA		
51	0881031551	DECAL (English)	1	EA		
52	0664401130	DECAL	1	EA		
54	0699300104	DECAL	1	EA		
55	0881031556	DECAL	1	EA		
56	0689300035	DECAL	1	EA		
57	0881031557	DECAL	1	EA		
59	0882031159	DECAL	2	EA		
60	0699300103	DECAL	1	EA		
61	0339376240	DECAL (English) "IMPORTANT DO NOT DAMAGE RADIATOR"	1	EA		
62	0399300500	DECAL (LIFT POINT)	4	EA		
63	0871086051	DECAL	1	EA		
64	0699300078	DECAL	1	EA		
65	0699300079	DECAL	1	EA		
66	0699300093	DECAL	1	EA		
67	0699300094	DECAL	1	EA		
70	0569300090	DECAL (English)	1	EA		
71	0669300024	DECAL	1	EA		
74	0359300052	DECAL (TFM DECAL)	1	EA	for U.S.	
75	0699300132	DECAL	1	EA	for U.S.	

DECAL & TOOL DECAL (foot accelerator)

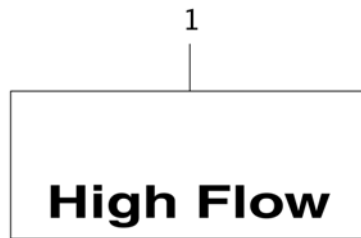
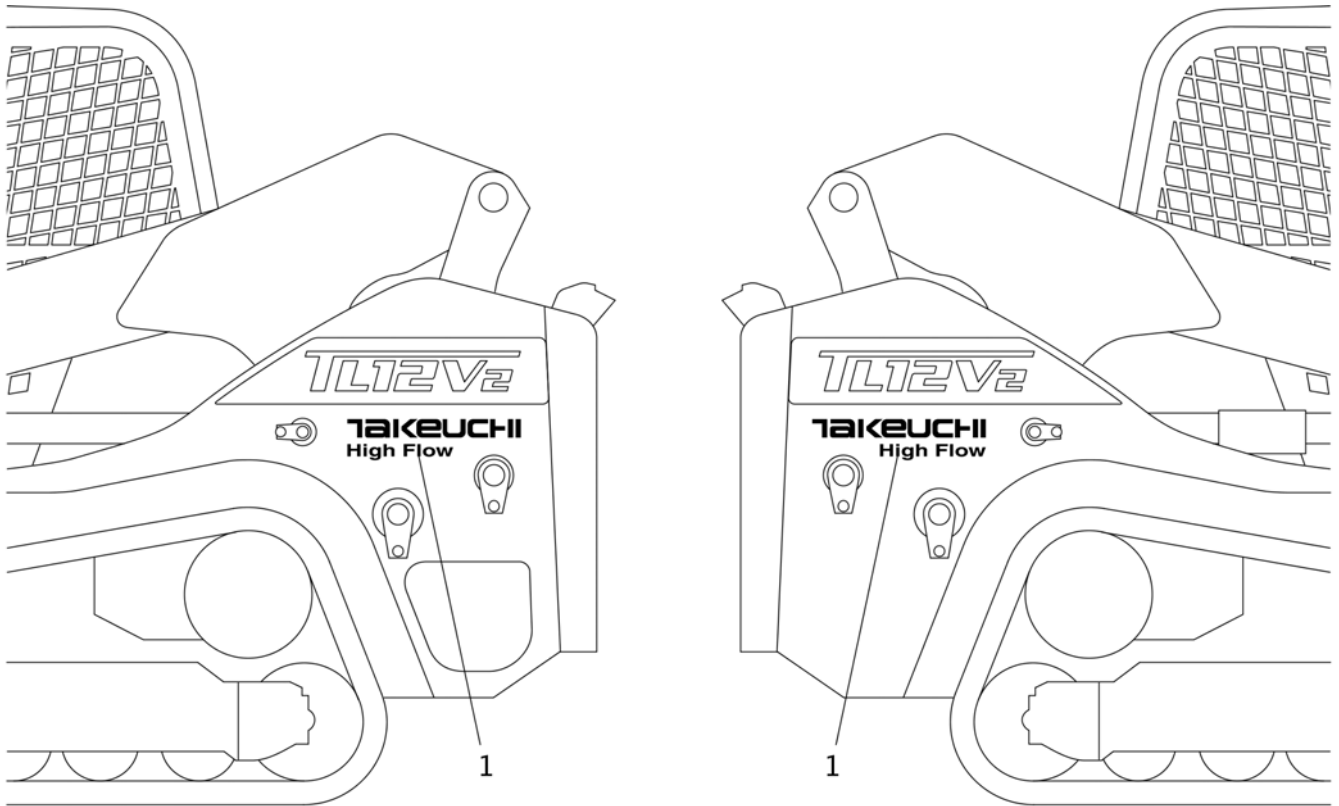


ROG030

S=FREI

Item	Part No.	Name	Qty	Uom	Remarks	Serial Number
-	PNNA	DECAL SET (English)		EA		
1	0664100044	DECAL	1	EA		

DECAL & TOOL DECAL (high flow)

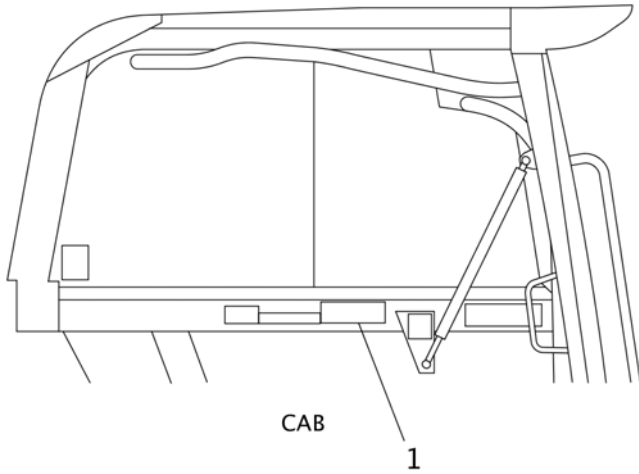


ROG040

S=FREI

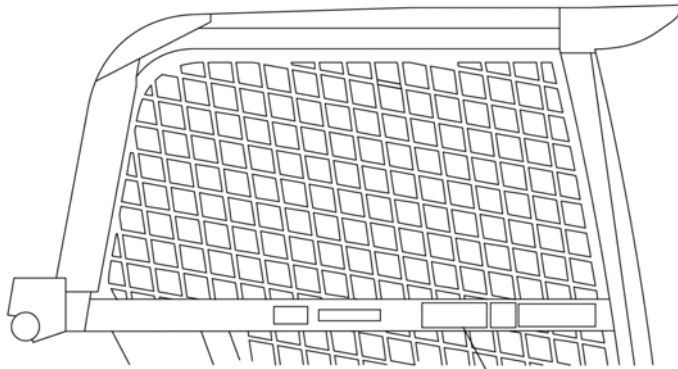
Item	Part No.	Name	Qty	Uom	Remarks	Serial Number
-	PNNA	DECAL SET (English)		EA		
1	0689300018	DECAL	2	EA		

DECAL & TOOL DECAL (lever operation)



CAB

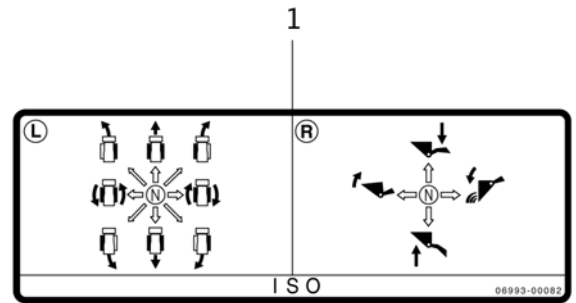
1



CANOPY

1

ROG050



1

L

R

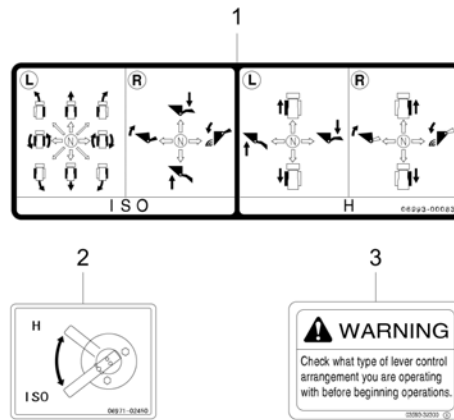
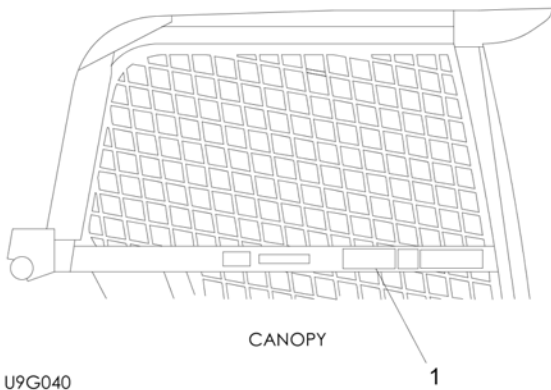
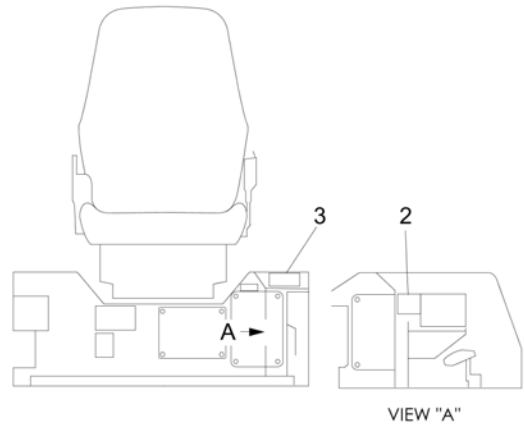
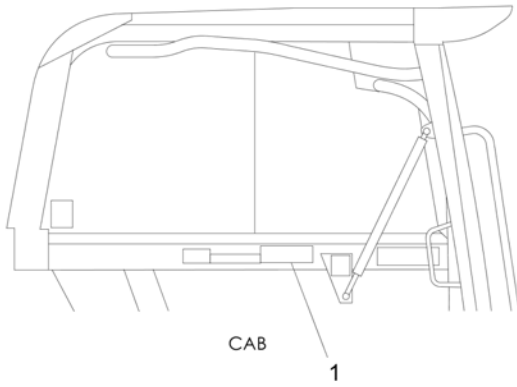
ISO

06993-00082

S=FREI

Item	Part No.	Name	Qty	Uom	Remarks	Serial Number
-	PNNA	DECAL SET (English)		EA		
1	0699300082	DECAL	1	EA		

DECAL & TOOL DECAL (pattern change)

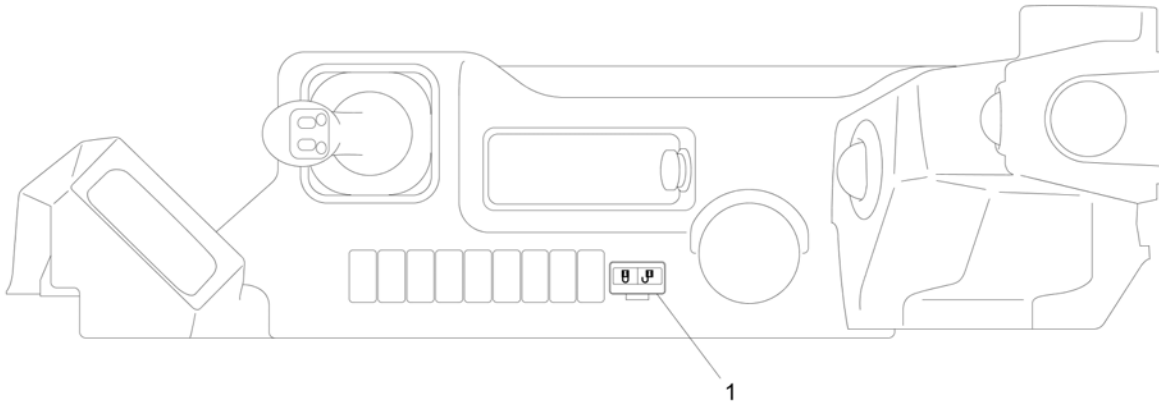


U9G040

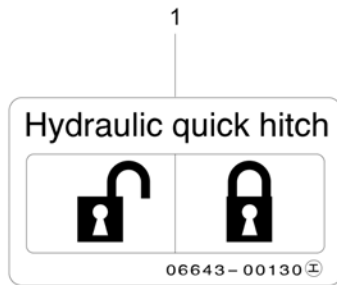
S=FREE

Item	Part No.	Name	Qty	Uom	Remarks	Serial Number
-	PNNA	DECAL SET		EA		
1	0699300083	DECAL	1	EA		
2	0697102450	DECAL	1	EA		
3	0359332300	DECAL (English)	1	EA		

DECAL & TOOL DECAL (hydraulic quick hitch type)



CONTROL BOX (L.H.)

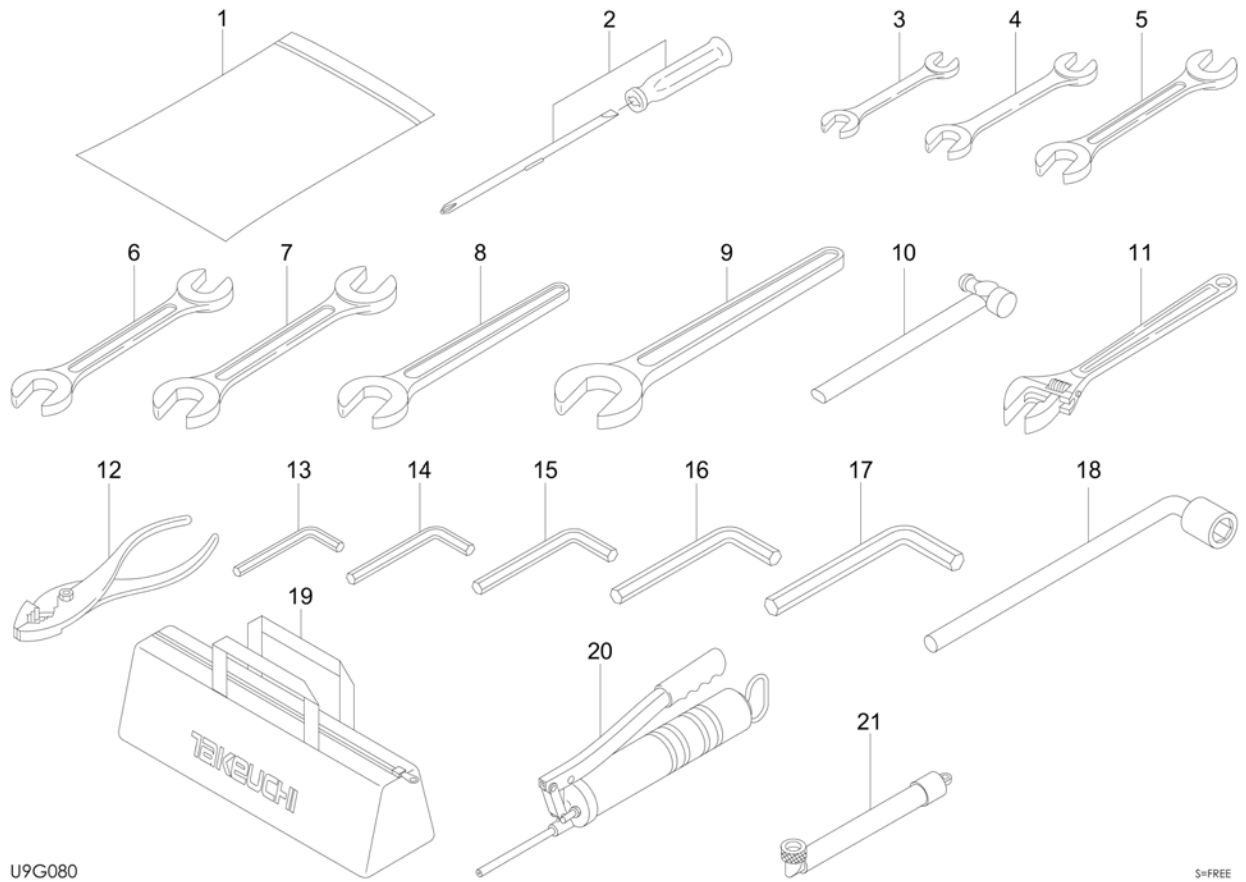


U9G050

S#FREE

Item	Part No.	Name	Qty	Uom	Remarks	Serial Number
-	PNNA	DECAL SET		EA		
1	0664300130	DECAL	1	EA		

DECAL & TOOL TOOL & ACCESSORIES

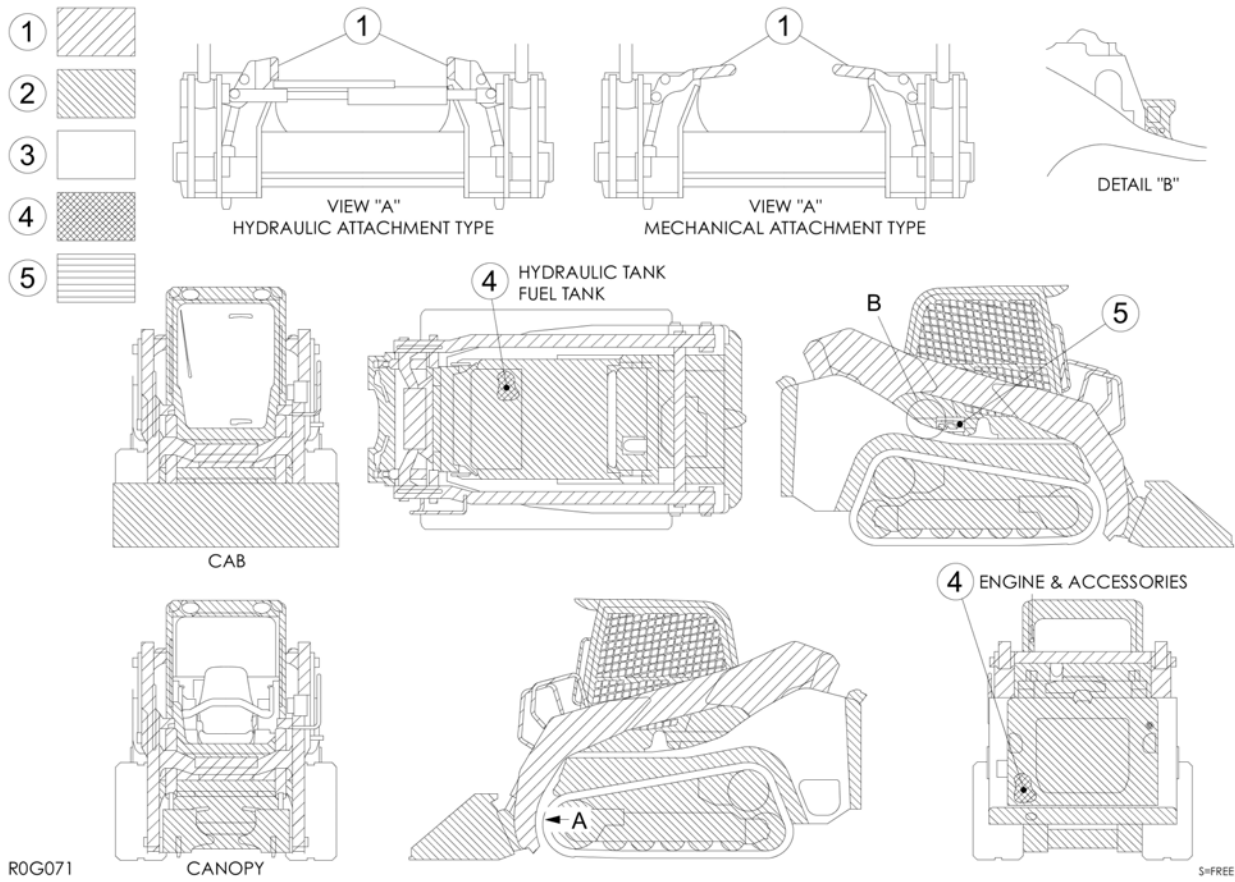


U9G080

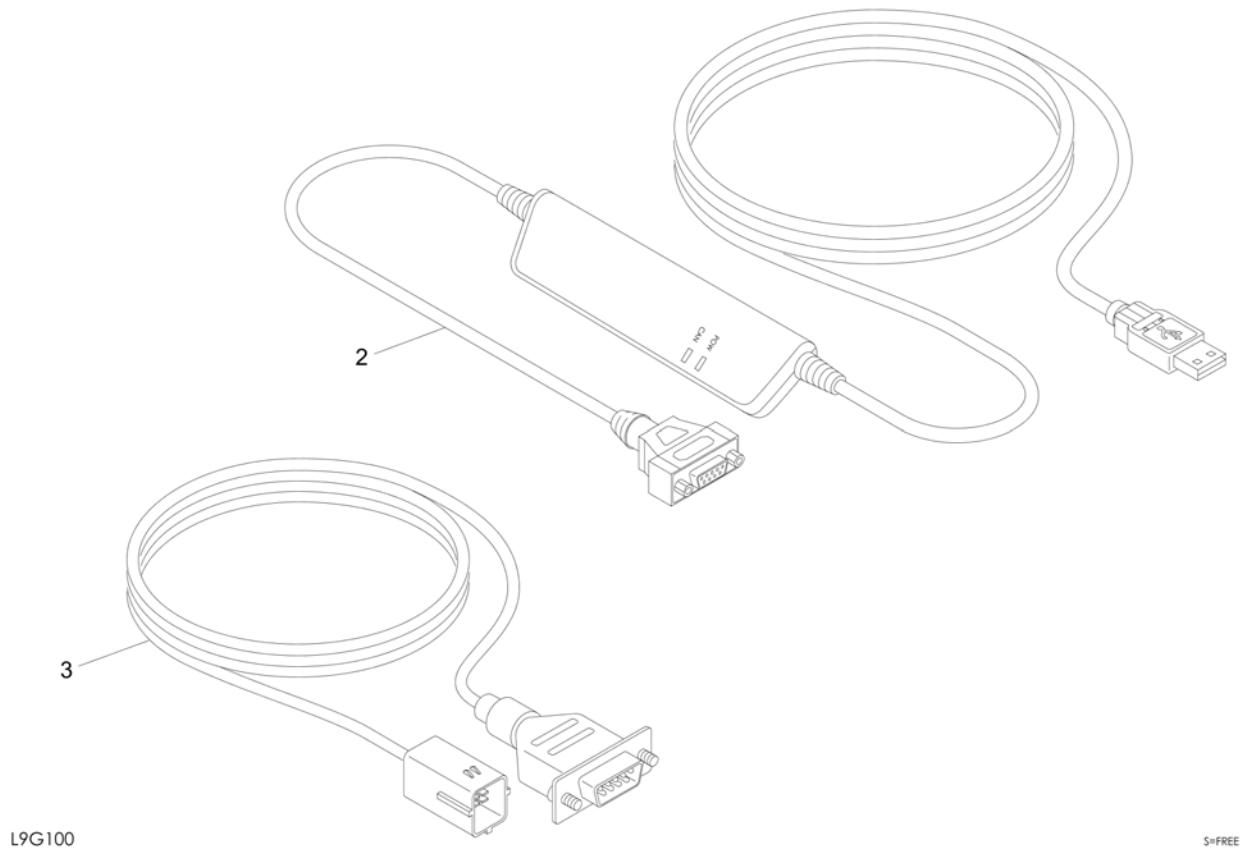
S=FREE

Item	Part No.	Name	Qty	Uom	Remarks	Serial Number
-	PNNA	TOOL SET	1	EA		
0-1	0699200060	SUB TOOL SET	1	EA		
1	1691900001	CASE, tool	1	EA		
2	1690220205	SCREWDRIVER	1	EA		
3	1690001012	SPANNER	1	EA		
4	1690001113	SPANNER	1	EA		
5	1690001417	SPANNER	1	EA		
6	1690001922	SPANNER	1	EA		
7	1690002427	SPANNER	1	EA		
8	1690100030	SPANNER	1	EA		
9	1690100041	SPANNER	1	EA		
10	1690300330	HAMMER	1	EA		
11	1690400250	WRENCH, monkey	1	EA		
12	1690500200	PLIER	1	EA		
13	1690600500	WRENCH, hex	1	EA		
14	1690600600	WRENCH, hex	1	EA		
15	1690600800	WRENCH, hex	1	EA		
16	1690601000	WRENCH, hex	1	EA		
17	1690601400	WRENCH, hex	1	EA		
18	1690830019	WRENCH, hex (L-WRENCH)	1	EA		
19	1691400005	CASE, tool	1	EA		
20	1691060600	GUN ASSY, grease	1	EA		
21	1554512601	TUBE (OIL DRAIN PLUG)	1	EA		

DECAL & TOOL PAINTED COLOR

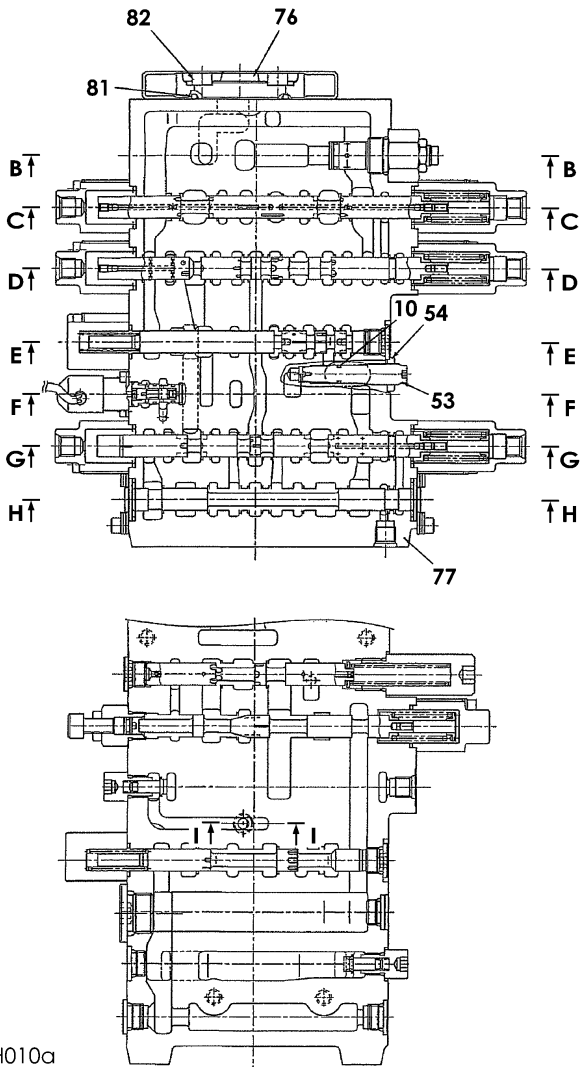


Item	Part No.	Name	Qty	Uom	Remarks	Serial Number
-	PNNA	PAINTED COLOR (canopy)		EA		
-	PNNA	PAINTED COLOR (cab)		EA		
1	1919060105	PAINT (QUART) (RED)	1	EA		
1	1919060104	PAINT (AEROSOL) (RED)	1	EA	spray	
2	1919060240	PAINT (GALLON) (MED. GRAY) (070)	1	EA		
2	1919060140	PAINT (AEROSOL) (MED.GRAY) (070)	1	EA	spray	
3	1919060141	PAINT (AEROSOL) (LT. GRAY)	1	EA		
4	1919060103	PAINT (BLACK)	1	EA		
5	1919060231	PAINT (TURMERIC YELLOW)	1	EA	FITTING, grease	

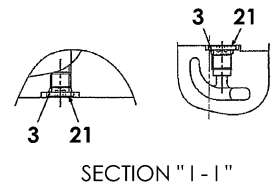
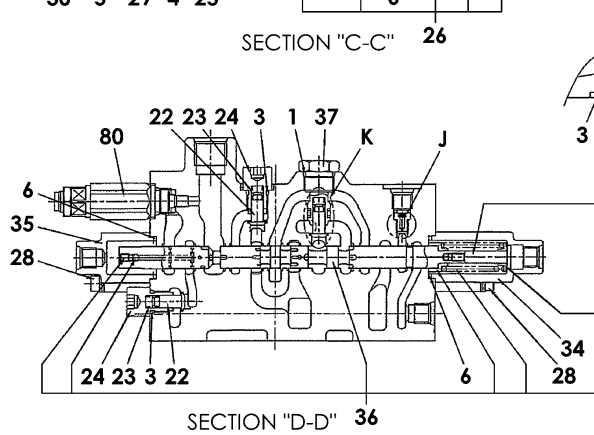
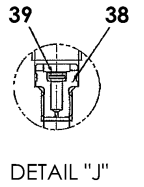
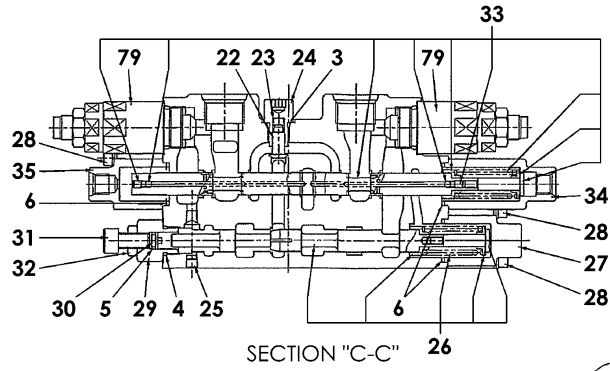
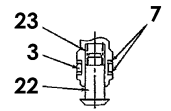
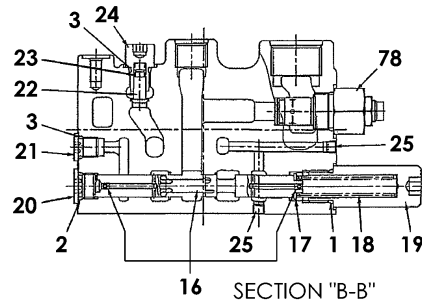


Item	Part No.	Name	Qty	Uom	Remarks	Serial Number
0		TOOL ASSY, service	1	EA		
2	1730141811	TOOL, maintenance	1	EA		
3	1730141820	CABLE ASSY (FOR TAKEUCHI SERVICE TOOL) (2/2)	1	EA		

HYDRAULIC DEVICE CONTROL VALVE 1



ROH010a



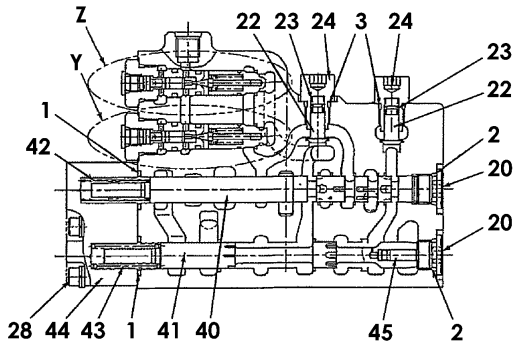
S=free

Item	Part No.	Name	Qty	Uom	Remarks	Serial Number
0	1901055800	VALVE ASSY, control	1	EA		
0-1	1901055899	KIT, SEAL	1	EA		
1	1420010180	O-RING	9	EA		
2	1420010140	O-RING	8	EA		
3	1420010110	O-RING	15	EA		
4	1420010150	O-RING	1	EA		
5	1420010080	O-RING	4	EA		
6	1420300119	O-RING	9	EA		
7	1421020110	RING, back-up	2	EA		
10	1420010090	O-RING (P-9 90B)	1	EA		
16	1901055190	VALVE ASSY, flow control	1	EA		
17	1901055891	WASHER	1	EA		
18	1901055892	SPRING	1	EA		
19	1901055893	COVER	1	EA		
20	1901045222	PLUG	3	EA		
21	1901024795	PLUG	4	EA		
22	1901039426	PLUNGER	9	EA		
23	1901039456	SPRING	9	EA		
24	1901045210	PLUG	10	EA		
25	1901030671	PLUG	3	EA		
26	1901055894	VALVE ASSY, flow control	1	EA		
27	1901055895	COVER	1	EA		
28	1901055896	SCREW, cap	18	EA		
29	1901055897	SOCKET	1	EA		
30	1901055898	GUIDE	1	EA		
31	1901055887	SCREW, cap	1	EA		
32	1901055809	NUT	1	EA		
33	1901055871	SPOOL ASSY	1	EA		
34	1901045205	COVER	3	EA		
35	1901045206	COVER	3	EA		
36	1901055872	SPOOL ASSY	1	EA		
37	1901045212	PLUG	1	EA		
38	1901055873	PLUG	1	EA		
39	1901055874	FILTER	1	EA		
53	1901045235	SLEEVE	1	EA		
54	1901045237	NUT	1	EA		
76	1901055866	COVER	1	EA		
77	1901055811	BLACK ASSY	1	EA		

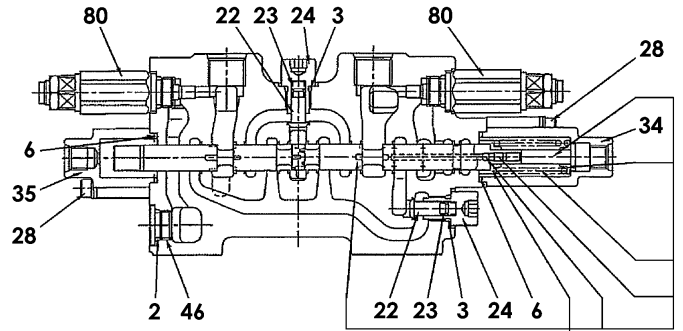
This page intentionally left blank

Item	Part No.	Name	Qty	Uom	Remarks	Serial Number
78	1901055821	VALVE ASSY	1	EA	relief	
78	1420010200	O-RING	1	EA		
79	1901055822	VALVE, relief	1	EA	over load	
79	1901055846	O-RING	1	EA		
80	1901055823	OVERLOAD RELIEF VALVE	1	EA	over load	
80	1420010140	O-RING	1	EA		
81	1901055856	O-RING	1	EA		
82	1110020820	SCREW, cap	4	EA		

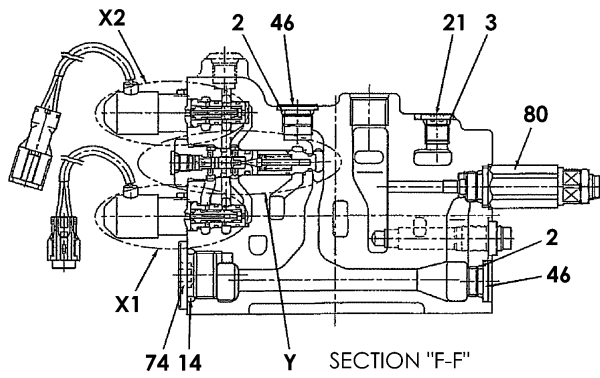
HYDRAULIC DEVICE CONTROL VALVE 2



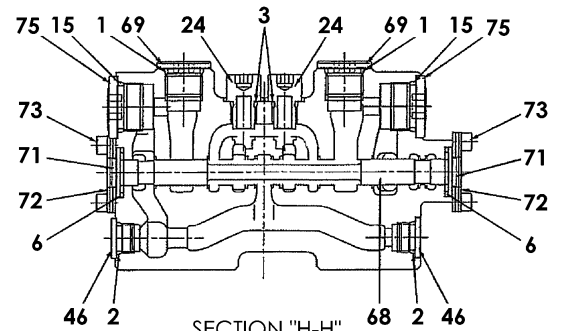
SECTION "E-E"



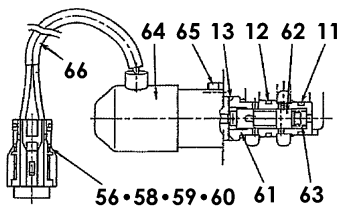
SECTION "G-G"



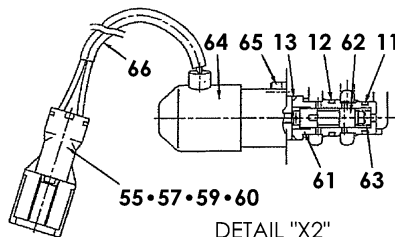
SECTION "F-F"



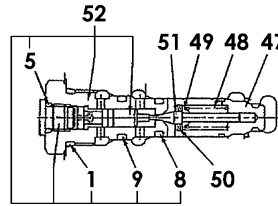
SECTION "H-H"



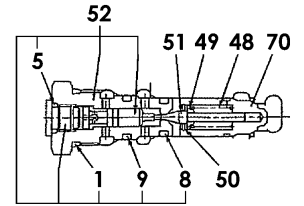
DETAIL "X1"



DETAIL "X2"



DETAIL "Y"



DETAIL "Z"

ROH010b

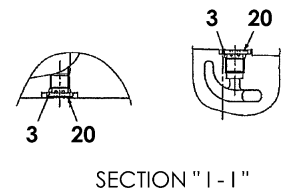
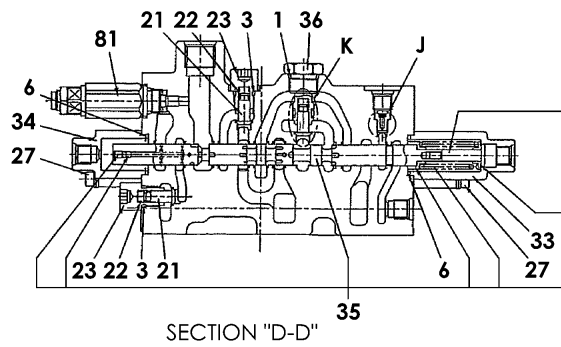
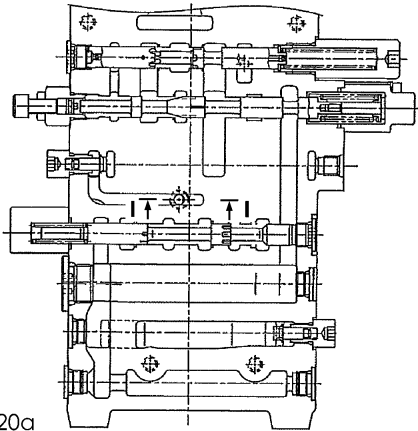
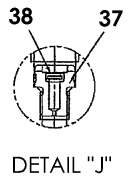
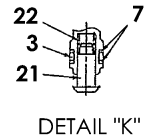
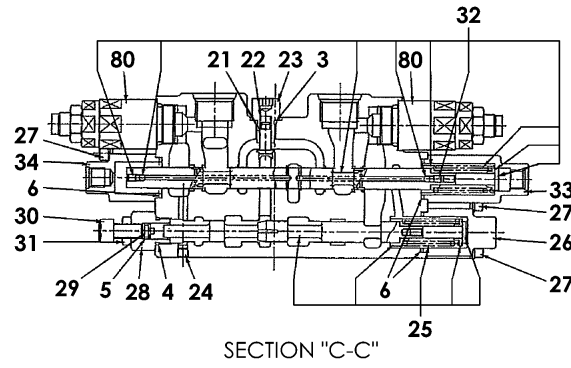
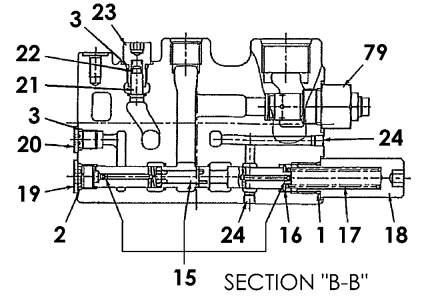
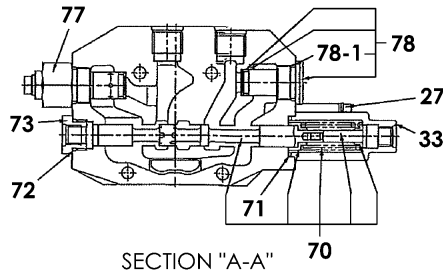
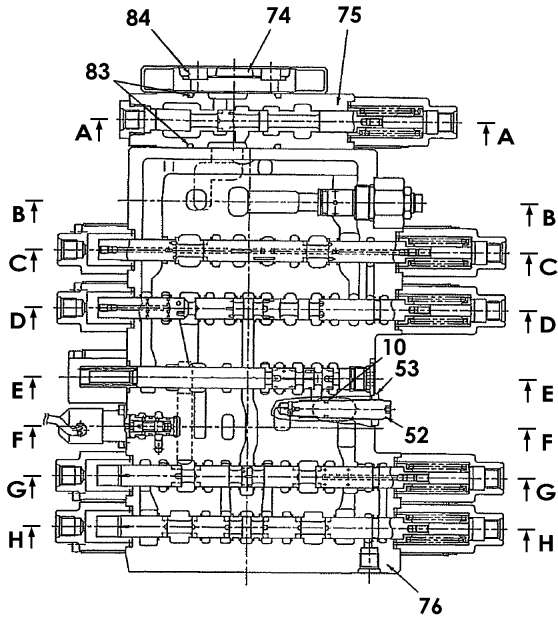
S=free

Item	Part No.	Name	Qty	Uom	Remarks	Serial Number
0	1901055800	VALVE ASSY, control	1	EA		
0-1	1901055899	KIT, SEAL	1	EA		
1	1420010180	O-RING	9	EA		
2	1420010140	O-RING	8	EA		
3	1420010110	O-RING	15	EA		
5	1420010080	O-RING	4	EA		
6	1420300119	O-RING	9	EA		
8	1420010101	O-RING (P-10A 90B)	3	EA		
9	1420010120	O-RING	3	EA		
11	1420010100	O-RING (PUMP)	2	EA		
12	1420500112	O-RING	2	EA		
13	1420500140	O-RING	2	EA		
14	1420010240	O-RING	1	EA		
15	1432900034	O-RING	2	EA		
20	1901045222	PLUG	3	EA		
21	1901024795	PLUG	4	EA		
22	1901039426	PLUNGER	9	EA		
23	1901039456	SPRING	9	EA		
24	1901045210	PLUG	10	EA		
28	1901055896	SCREW, cap	18	EA		
34	1901045205	COVER	3	EA		
35	1901045206	COVER	3	EA		
40	1901055875	SPOOL	1	EA		
41	1901045218	SPOOL	1	EA		
42	1901045219	SPRING	1	EA		
43	1901045220	SPRING	1	EA		
44	1901045221	HOLDER	1	EA		
45	1901045223	PISTON	1	EA		
46	1901030672	PLUG	5	EA		
47	1901049326	VALVE, check	2	EA		
48	1901045225	SPRING	3	EA		
49	1901045226	HOLDER	3	EA		
50	1901055870	RING, snap	3	EA		
51	1901045228	VALVE	3	EA		
52	1901045295	GUIDE, piston	3	EA		
55	1901045239	ADAPTOR	1	EA		
56	1901055877	CONNECTOR	1	EA		
57	1901045240	TERMINAL	2	EA		

This page intentionally left blank

Item	Part No.	Name	Qty	Uom	Remarks	Serial Number
58	1901055878	TERMINAL	2	EA		
59	1901045241	SEAL	4	EA		
60	1901045242	HOLDER	2	EA		
61	1901045243	SOCKET	2	EA		
62	1901045244	SPOOL	2	EA		
63	1901045245	SPRING	2	EA		
64	1901045249	SOLENOID	2	EA		
65	1901055879	SCREW, cap	4	EA		
66	1901045256	TUBE	2	EA		
67	1901055880	SPOOL ASSY	1	EA		
68	1901055881	SPOOL	1	EA		
69	1901045253	PLUG	2	EA		
70	1901055882	VALVE, check	1	EA		
71	1901055884	HOLDER	2	EA		
72	1901055883	COVER	6	EA		
73	1901055888	BOLT	4	EA		
74	1901055885	PLUG	1	EA		
75	1901055886	PLUG	2	EA		
80	1901055823	OVERLOAD RELIEF VALVE	1	EA	over load	
80	1420010140	O-RING	1	EA		

HYDRAULIC DEVICE CONTROL VALVE (high flow) 1



ROH020a

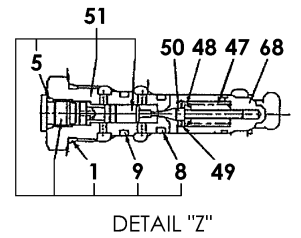
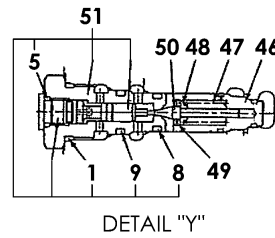
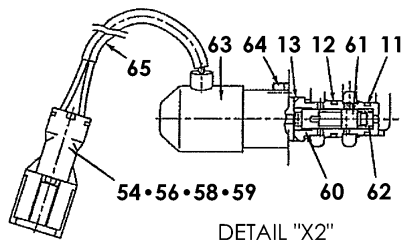
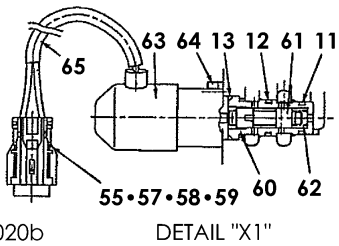
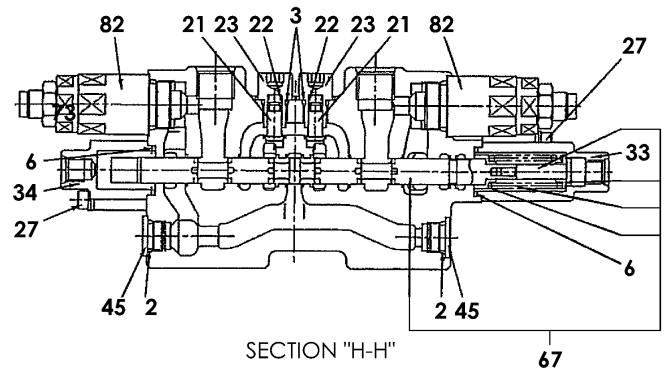
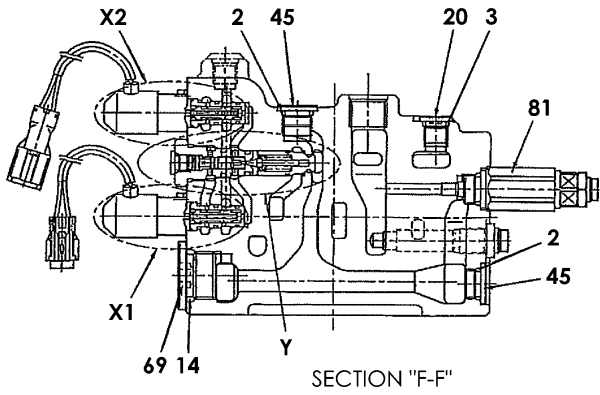
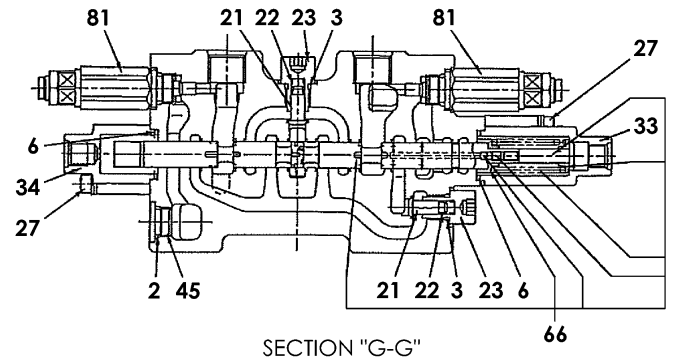
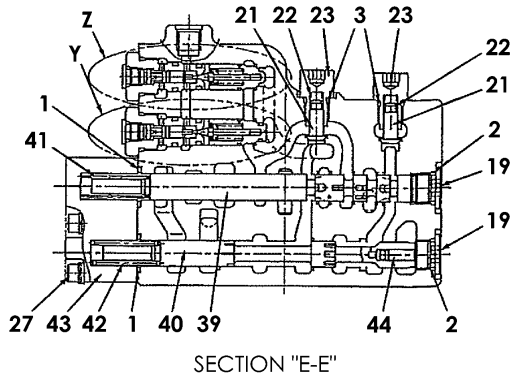
S=free

Item	Part No.	Name	Qty	Uom	Remarks	Serial Number
0	1901061700	VALVE. control	1	EA		
0-1	1901055199	KIT, seal (CONTROL VALVE)	1	EA		
1	1420010180	O-RING	7	EA		
2	1420010140	O-RING	8	EA		
3	1420010110	O-RING	15	EA		
4	1420010150	O-RING	1	EA		
5	1420010080	O-RING	4	EA		
6	1420300119	O-RING	9	EA		
7	1421020110	RING, back-up	2	EA		
10	1420010090	O-RING (P-9 90B)	1	EA		
15	1901055190	VALVE ASSY, flow control	1	EA		
16	1901055891	WASHER	1	EA		
17	1901055892	SPRING	1	EA		
18	1901055893	COVER	1	EA		
19	1901045222	PLUG	3	EA		
20	1901024795	PLUG	4	EA		
21	1901039426	PLUNGER	11	EA		
22	1901039456	SPRING	11	EA		
23	1901045210	PLUG	10	EA		
24	1901030671	PLUG	3	EA		
25	1901055894	VALVE ASSY, flow control	1	EA		
26	1901055895	COVER	1	EA		
27	1901055896	SCREW, cap	24	EA		
28	1901055897	SOCKET	1	EA		
29	1901055898	GUIDE	1	EA		
30	1901055887	SCREW, cap	1	EA		
31	1901055809	NUT	1	EA		
32	1901055871	SPOOL ASSY	1	EA		
33	1901045205	COVER	5	EA		
34	1901045206	COVER	4	EA		
35	1901055872	SPOOL ASSY	1	EA		
36	1901045212	PLUG	1	EA		
37	1901055873	PLUG	1	EA		
38	1901055874	FILTER	1	EA		
52	1901045235	SLEEVE	1	EA		
53	1901045237	NUT	1	EA		
70	1901055172	SPOOL ASSY	1	EA		
71	1420300119	O-RING	1	EA		

This page intentionally left blank

Item	Part No.	Name	Qty	Uom	Remarks	Serial Number
72	1420010180	O-RING	1	EA		
73	1901055132	BUSHING	1	EA		
74	1901055166	COVER	1	EA		
75	1901055110	BLOCK ASSY (CONTROL VALVE)	1	EA		
76	1901055133	BLACK ASSY	1	EA		
77	1901055121	VALVE, relief	1	EA	relief	
77	1420010200	O-RING	1	EA		
78	1901055122	VALVE, relief	1	EA	relief	
78-1	1420010220	O-RING	1	EA		
79	1901055821	VALVE ASSY	1	EA	relief	
79	1420010200	O-RING	1	EA		
80	1901055822	VALVE, relief	2	EA	over load	
80	1901055846	O-RING	1	EA		
81	1901055823	OVERLOAD RELIEF VALVE	4	EA	over load	
81	1420010140	O-RING	1	EA		
83	1901055856	O-RING	2	EA		
84	1110020855	SCREW, cap	4	EA		

HYDRAULIC DEVICE CONTROL VALVE (high flow) 2



ROH020b

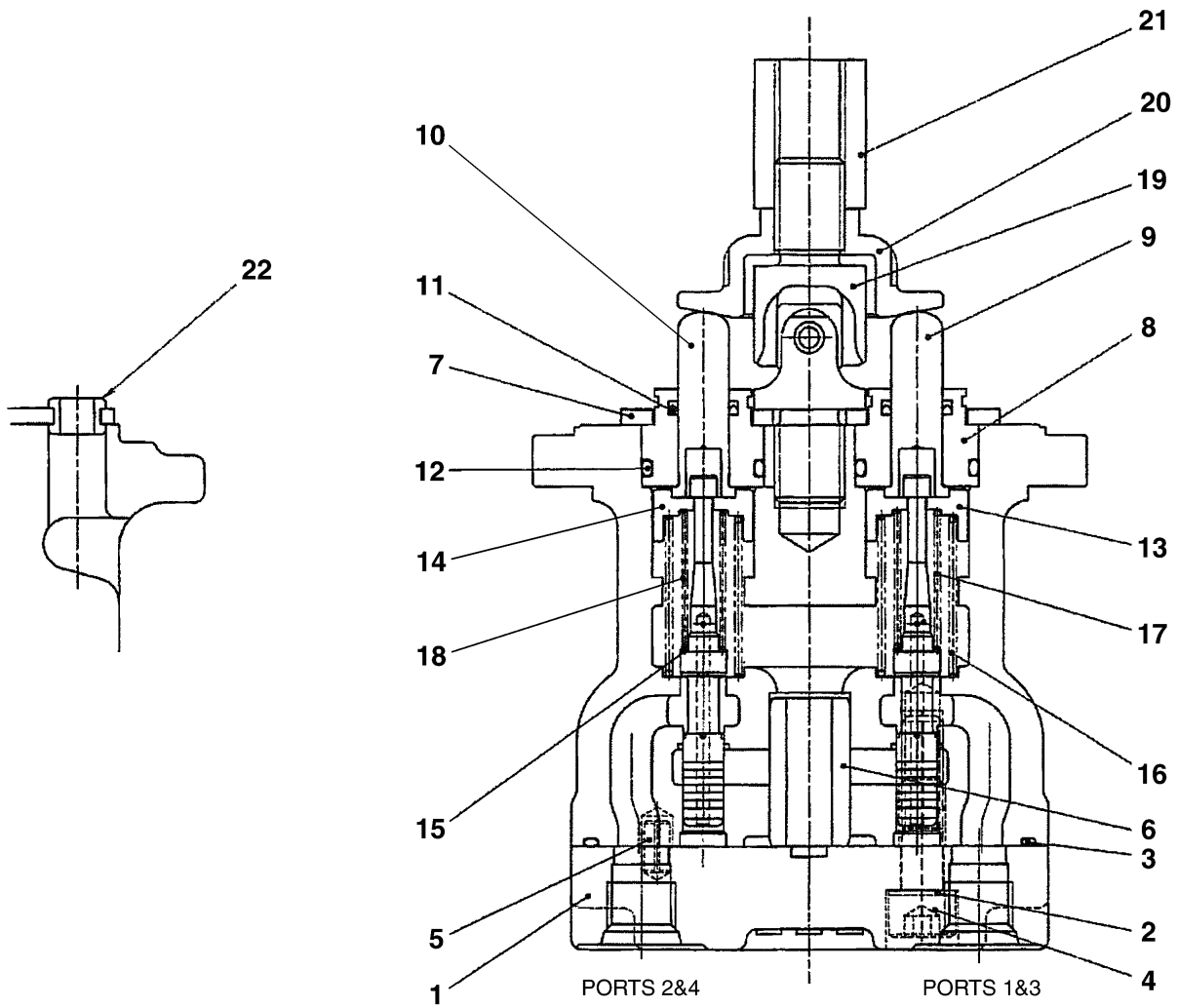
S=free

Item	Part No.	Name	Qty	Uom	Remarks	Serial Number
0	1901061700	VALVE. control	1	EA		
0-1	1901055199	KIT, seal (CONTROL VALVE)	1	EA		
1	1420010180	O-RING	7	EA		
2	1420010140	O-RING	8	EA		
3	1420010110	O-RING	15	EA		
5	1420010080	O-RING	4	EA		
6	1420300119	O-RING	9	EA		
8	1420010101	O-RING (P-10A 90B)	3	EA		
9	1420010120	O-RING	3	EA		
11	1420010100	O-RING (PUMP)	2	EA		
12	1420500112	O-RING	2	EA		
13	1420500140	O-RING	2	EA		
14	1420010240	O-RING	1	EA		
19	1901045222	PLUG	3	EA		
20	1901024795	PLUG	4	EA		
21	1901039426	PLUNGER	11	EA		
22	1901039456	SPRING	11	EA		
23	1901045210	PLUG	10	EA		
27	1901055896	SCREW, cap	24	EA		
33	1901045205	COVER	5	EA		
34	1901045206	COVER	4	EA		
39	1901055875	SPOOL	1	EA		
40	1901045218	SPOOL	1	EA		
41	1901045219	SPRING	1	EA		
42	1901045220	SPRING	1	EA		
43	1901045221	HOLDER	1	EA		
44	1901045223	PISTON	1	EA		
45	1901030672	PLUG	5	EA		
46	1901049326	VALVE, check	2	EA		
47	1901045225	SPRING	3	EA		
48	1901045226	HOLDER	3	EA		
49	1901055870	RING, snap	3	EA		
50	1901045228	VALVE	3	EA		
51	1901045295	GUIDE, piston	3	EA		
54	1901045239	ADAPTOR	1	EA		
55	1901055877	CONNECTOR	1	EA		
56	1901045240	TERMINAL	2	EA		
57	1901055878	TERMINAL	2	EA		

This page intentionally left blank

Item	Part No.	Name	Qty	Uom	Remarks	Serial Number
58	1901045241	SEAL	4	EA		
59	1901045242	HOLDER	2	EA		
60	1901045243	SOCKET	2	EA		
61	1901045244	SPOOL	2	EA		
62	1901045245	SPRING	2	EA		
63	1901045249	SOLENOID	2	EA		
64	1901055879	SCREW, cap	4	EA		
65	1901045256	TUBE	2	EA		
66	1901055880	SPOOL ASSY	1	EA		
67	1901055171	SPOOL ASSY	1	EA		
68	1901055882	VALVE, check	1	EA		
69	1901055885	PLUG	1	EA		
81	1901055823	OVERLOAD RELIEF VALVE	4	EA	over load	
81	1420010140	O-RING	1	EA		
82	1901055824	VALVE ASSY	2	EA	over load	
82	1901055847	O-RING	1	EA		

HYDRAULIC DEVICE PILOT VALVE (R.H.)

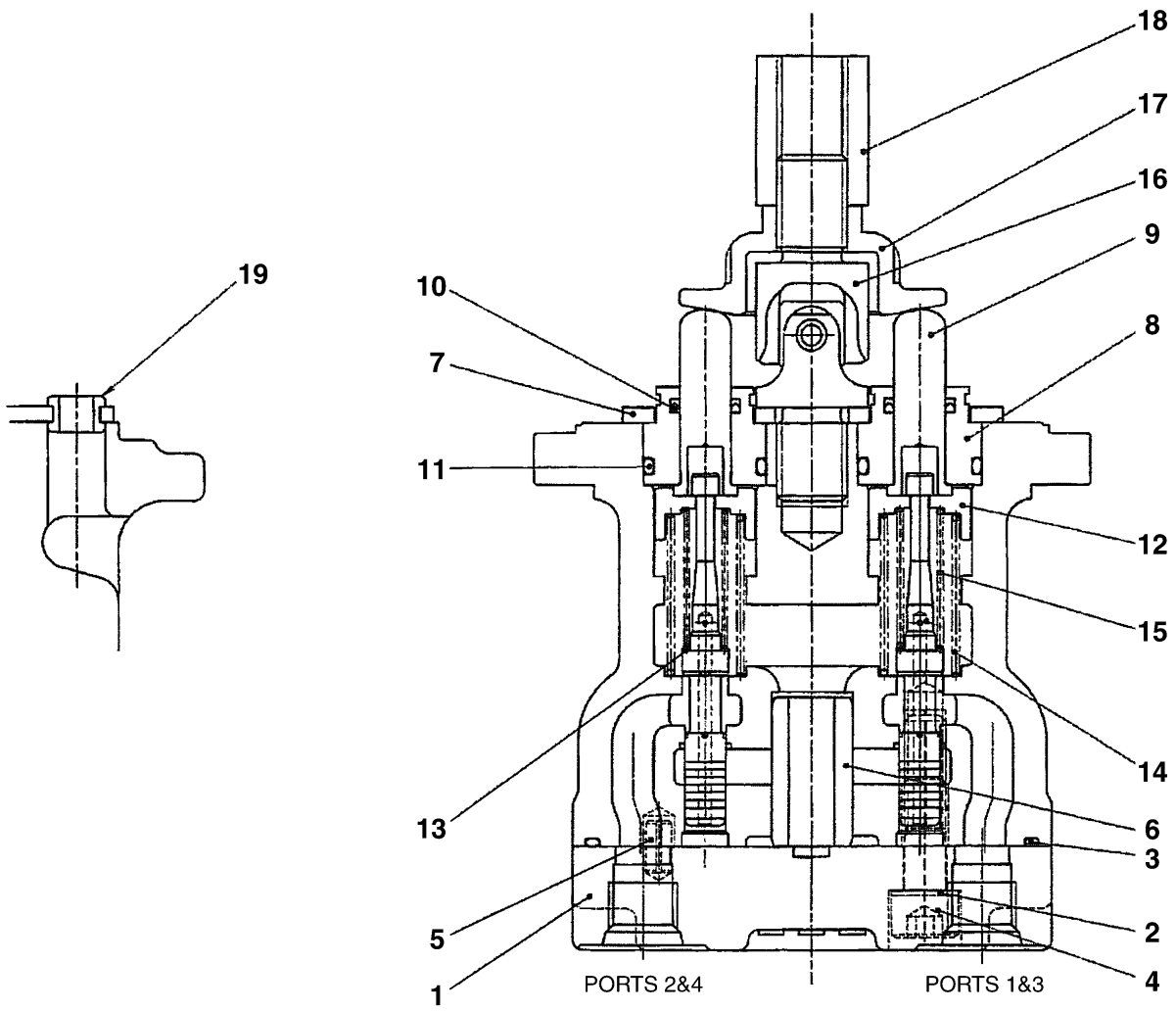


U3H090

S-FREE

Item	Part No.	Name	Qty	Uom	Remarks	Serial Number
0	1901754000	VALVE ASSY, pilot (R.H.)	1	EA	RIGHT	
1	1901749511	PLATE	1	EA		
2	1901715103	WASHER	2	EA		
3	1420510850	O-RING	1	EA		
4	1110020835	SCREW, cap	2	EA		
5	1213000510	PIN, spring	1	EA		
6	1901743606	BUSHING	1	EA		
7	1901749551	PLATE	1	EA		
8	1901710912	PLUG	4	EA		
9	1901719011	ROD	2	EA		
10	1901719012	ROD	2	EA		
11	1901710914	SEAL	4	EA		
12	1420010200	O-RING	4	EA		
13	1901743614	HOLDER	2	EA		
14	1901743615	HOLDER	2	EA		
15	1901710917	WASHER	4	EA		
16	1901749521	SPRING	4	EA		
17	1901749541	SPRING	2	EA		
18	1901749542	SPRING	2	EA		
19	1901720232	JOINT	1	EA		
20	1901743620	PLATE	1	EA		
21	1901710922	NUT	1	EA		
22	1901735630	BUSHING	1	EA		

HYDRAULIC DEVICE PILOT VALVE (L.H.)

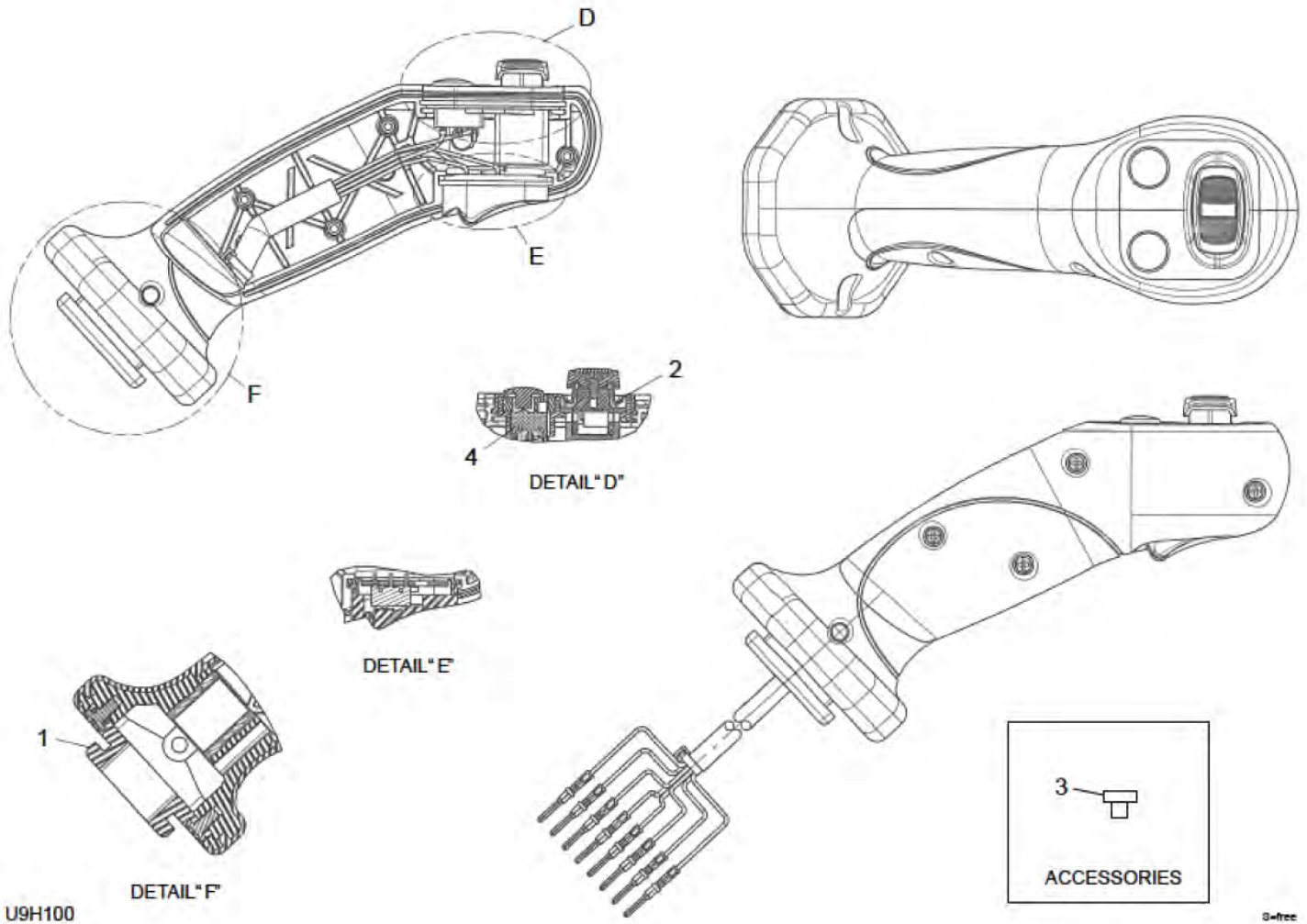


U1H030

S=FREE

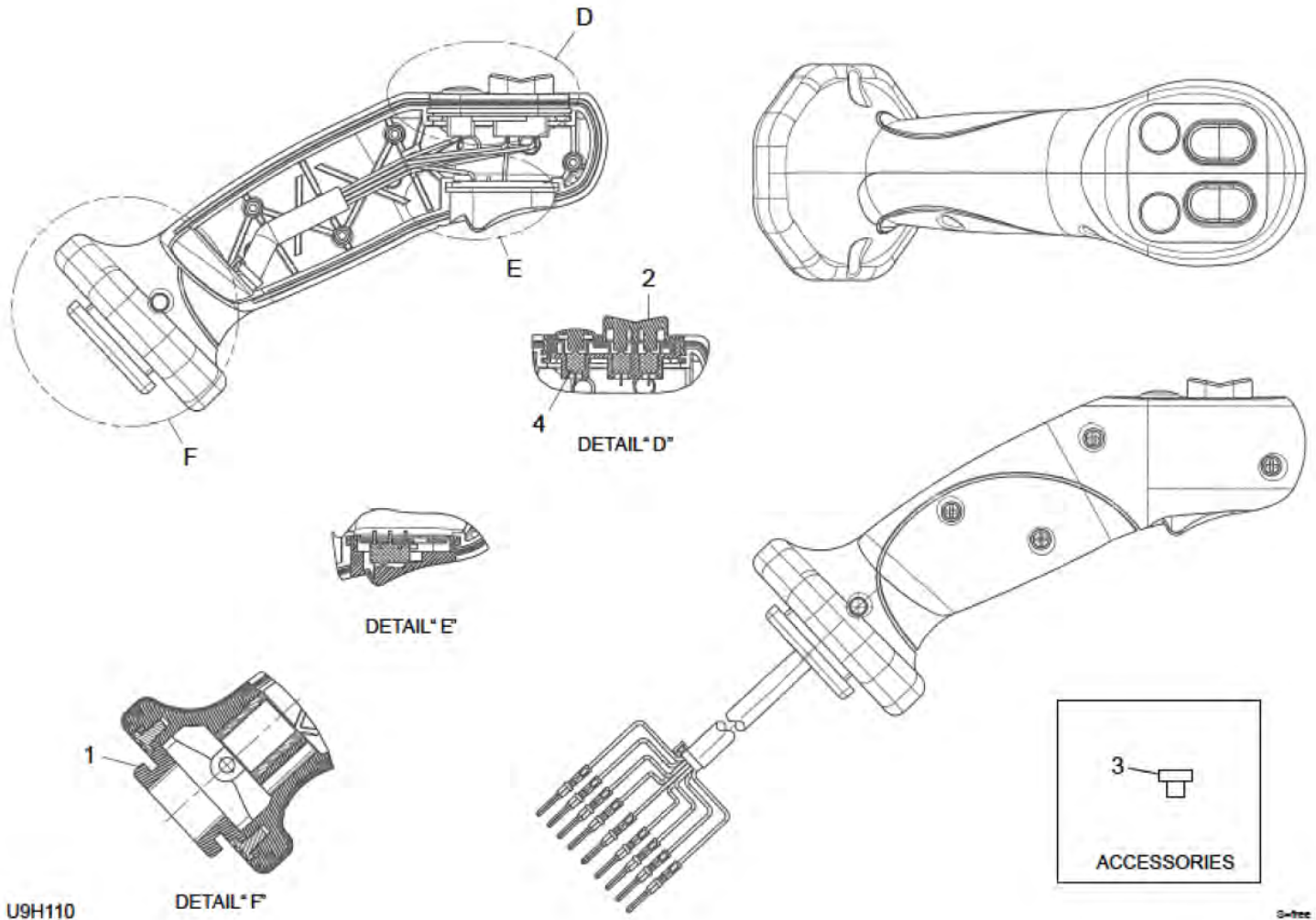
Item	Part No.	Name	Qty	Uom	Remarks	Serial Number
0	1901753900	VALVE ASSY, pilot (L.H.)	1	EA	LEFT	
1	1901749511	PLATE	1	EA		
2	1901715103	WASHER	2	EA		
3	1420510850	O-RING	1	EA		
4	1110040835	SCREW, cap	2	EA		
5	1213000510	PIN, spring	1	EA		
6	1901743606	BUSHING	1	EA		
7	1901749551	PLATE	1	EA		
8	1901710912	PLUG	4	EA		
9	1901719011	ROD	4	EA		
10	1901710914	SEAL	4	EA		
11	1420010200	O-RING	4	EA		
12	1901743614	HOLDER	4	EA		
13	1901710917	WASHER	4	EA		
14	1901749521	SPRING	4	EA		
15	1901749641	SPRING	4	EA		
16	1901720232	JOINT	1	EA		
17	1901743620	PLATE	1	EA		
18	1901710922	NUT	1	EA		
19	1901735630	BUSHING	1	EA		

HYDRAULIC DEVICE HANDLE (with slide switch)



Item	Part No.	Name	Qty	Uom	Remarks	Serial Number
0	1650205523	HANDLE ASSY	1	EA		
1	1650205507	COVER, lower	1	EA		
2	1650205510	COVER, rubber	1	EA		
3	1650205516	PIN, blanking	1	EA		
4	1650205521	SWITCH, micro	2	EA		

HYDRAULIC DEVICE HANDLE (with 5 switch)

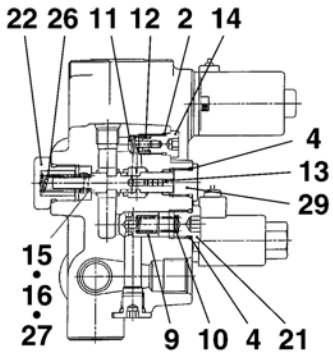


U9H110

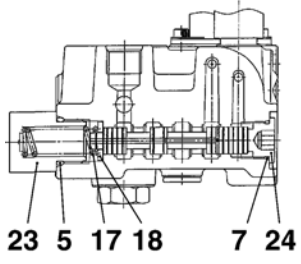
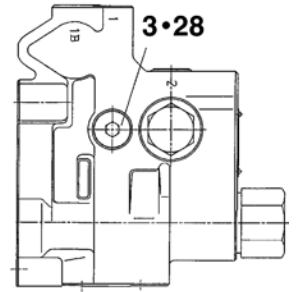
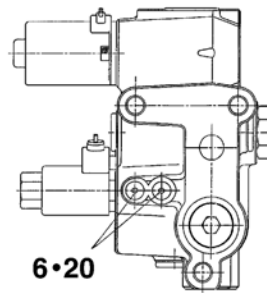
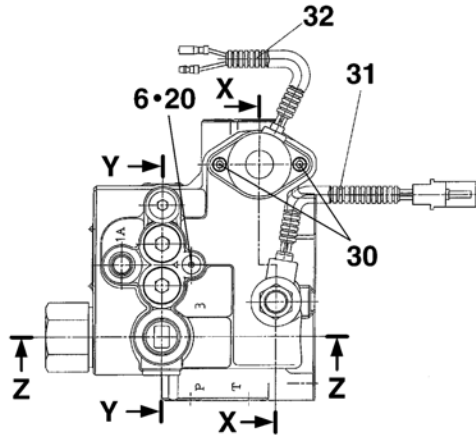
DETAIL "F"

Item	Part No.	Name	Qty	Uom	Remarks	Serial Number
0	1650205611	HANDLE ASSY	1	EA		
1	1650205507	COVER, lower	1	EA		
2	1650205608	COVER, rubber	1	EA		
3	1650205516	PIN, blanking	1	EA		
4	1650205521	SWITCH, micro	6	EA		

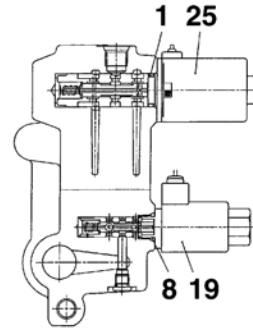
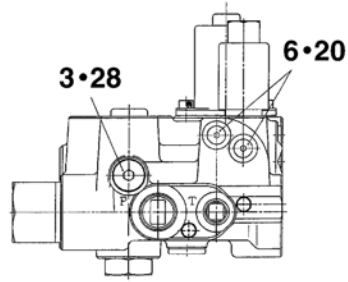
HYDRAULIC DEVICE SUB VALVE



SECTION "Y-Y"



SECTION "Z-Z"



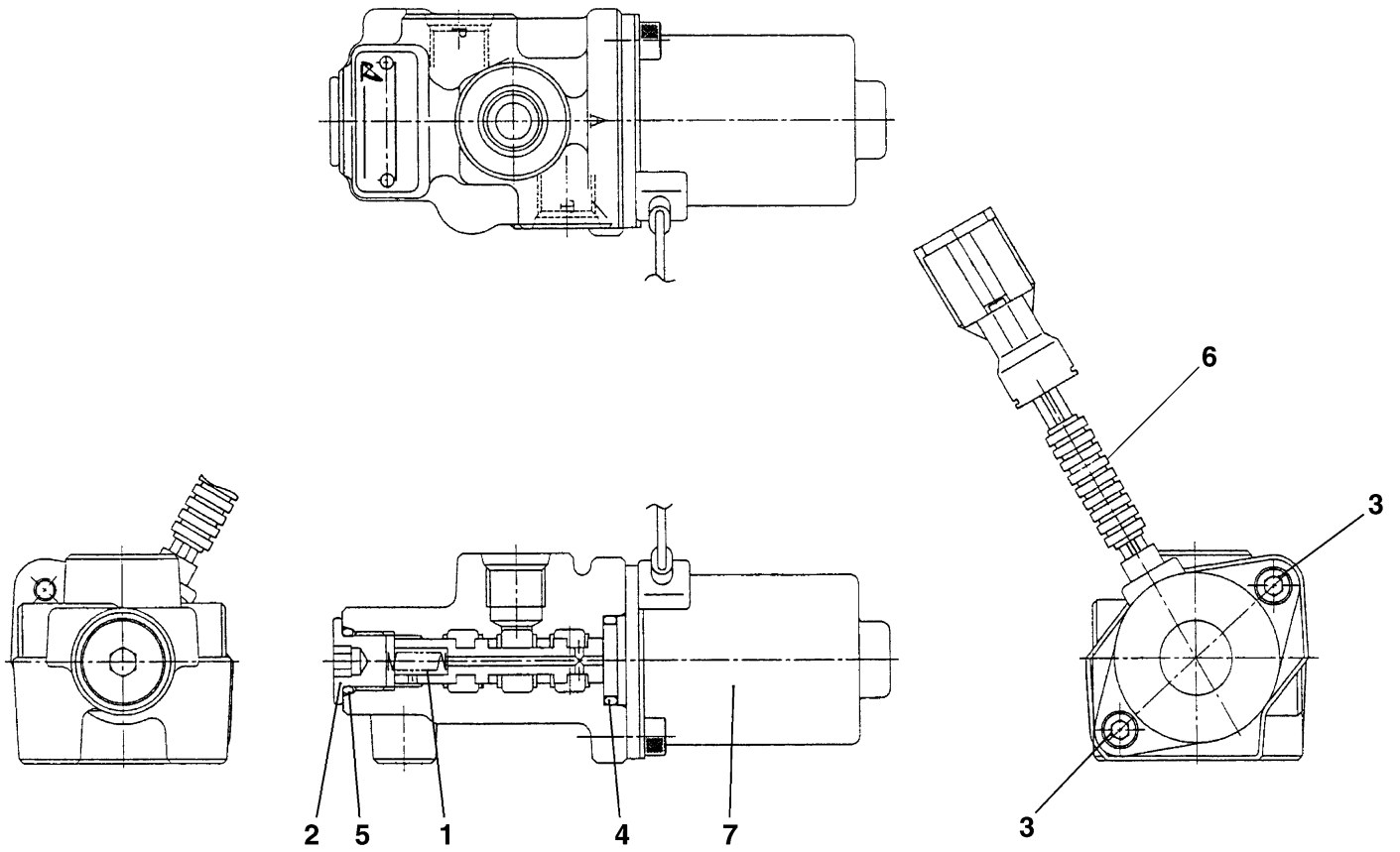
SECTION "X-X"

T3H010

S=FREE

Item	Part No.	Name	Qty	Uom	Remarks	Serial Number
0	1901748100	VALVE, sub	1	EA		
0-1	1901748199	KIT, seal (DOESNT INCLUDE WEAR RINGS)	1	EA		
1	1420010160	O-RING	1	EA		
2	1420010100	O-RING (PUMP)	1	EA		
3	1420010110	O-RING	2	EA		
4	1420010140	O-RING	2	EA		
5	1420010240	O-RING	1	EA		
6	1420310902	O-RING ARP568-902	5	EA		
7	1420310910	O-RING	1	EA		
8	1420000125	O-RING	1	EA		
9	1901731901	POPPET	1	EA		
10	1901731903	SPRING	1	EA		
11	1901035426	PLUNGER	1	EA		
12	1901004357	SPRING	1	EA		
13	1901730412	PISTON	1	EA		
14	1901035471	PLUG	1	EA		
15	1901729709	SHIM (t=1.0)	1	EA	t=0.1mm	
16	1901729710	SHIM (t=0.2)	1	EA	t=0.2mm	
17	1901731911	SPRING	1	EA		
18	1901731912	WASHER	1	EA		
19	1901748114	SOLENOID	1	EA		
20	1901748119	PLUG	5	EA		
21	1901748126	PLUG	1	EA		
22	1901748127	PLUG	1	EA		
23	1901748128	PLUG	1	EA		
24	1901748129	PLUG	1	EA		
25	1901748130	SOLENOID	1	EA		
26	1901748131	SPRING	1	EA		
27	1901748132	SHIM (t=0.10mm)	1	EA	t=0.1mm	
28	1901738312	PLUG	2	EA		
29	1501750002	PLUG (FOR O-RING USE # 1420010110)	1	EA		
29	1420010110	O-RING	1	EA		
30	1110050512	SCREW, cap (10TM5 X 12 P/0.8)	2	EA		
31	1901044619	PROTECTOR	1	EA		
32	1901748828	TUBE	1	EA		

HYDRAULIC DEVICE SOLENOID VALVE; 1 BLOCK



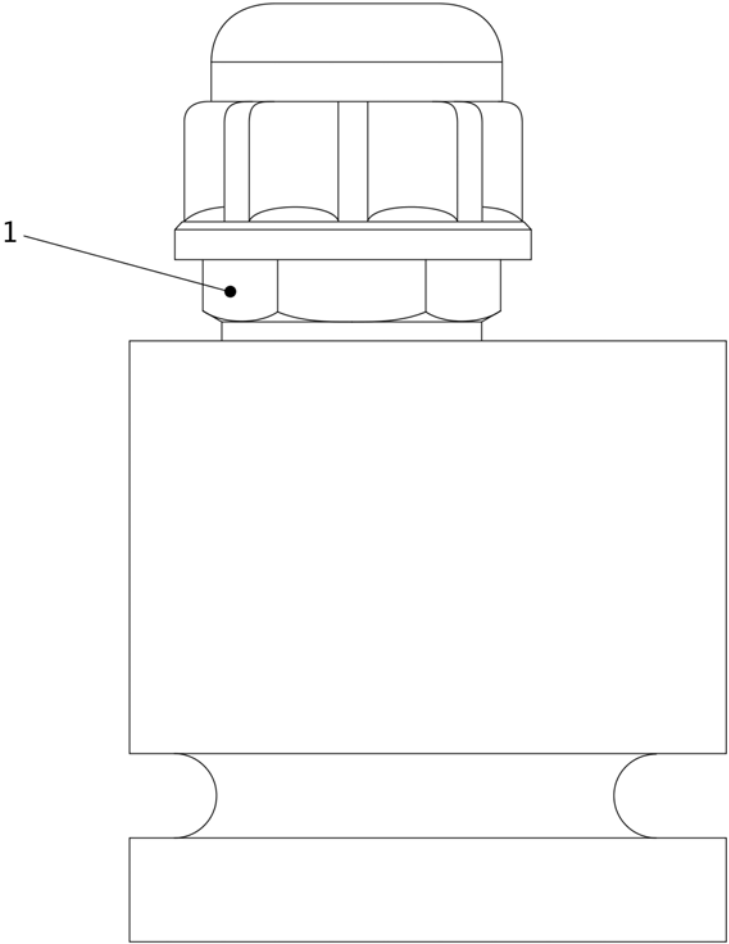
HOH100

S=FREE

457
MODEL: TL12V2

Item	Part No.	Name	Qty	Uom	Remarks	Serial Number
0	1901756100	VALVE, solenoid	1	EA		
1	1901734404	SPRING	1	EA		
2	1901738312	PLUG	1	EA		
3	1110050512	SCREW, cap (10TM5 X 12 P/0.8)	2	EA		
4	1420000160	O-RING	1	EA		
5	1420010110	O-RING	1	EA		
6	1901044619	PROTECTOR	1	EA		
7	1901750805	SOLENOID	1	EA		

HYDRAULIC DEVICE SOLENOID VALVE; 1 BLOCK

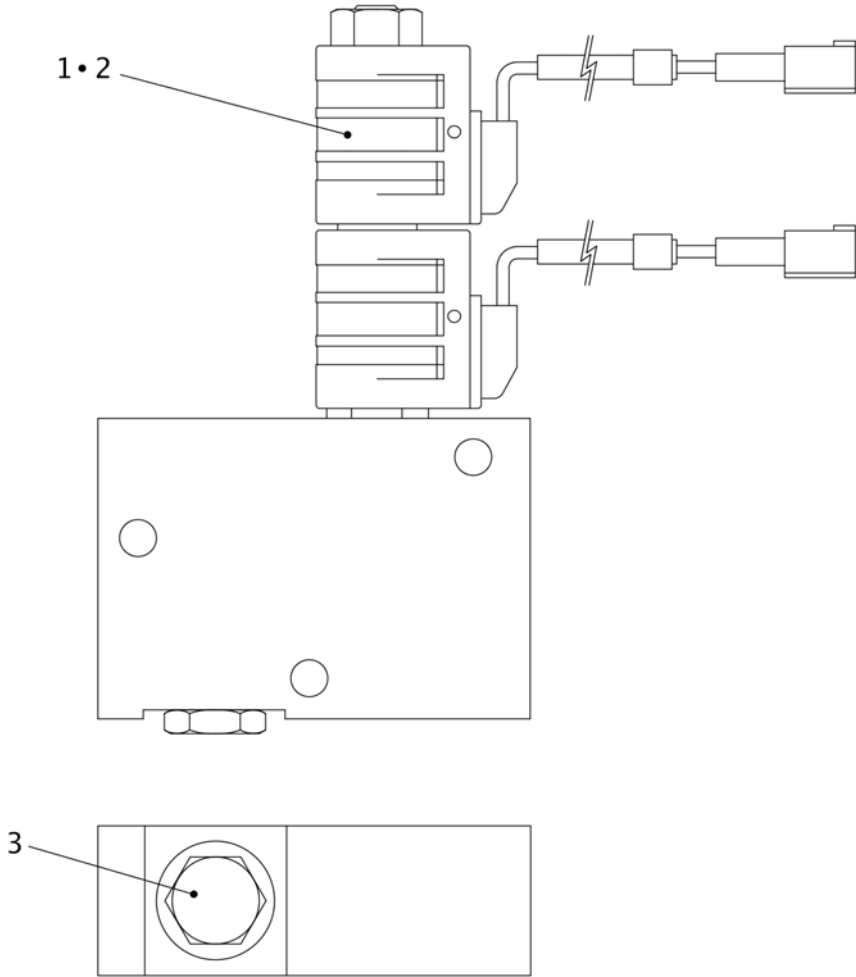


U8H030

S=FREI

Item	Part No.	Name	Qty	Uom	Remarks	Serial Number
0	1901764700	VALVE, emergency	1	EA		
1	1901764701	VALVE, solenoid	1	EA		

HYDRAULIC DEVICE SOLENOID VALVE; 1 BLOCK

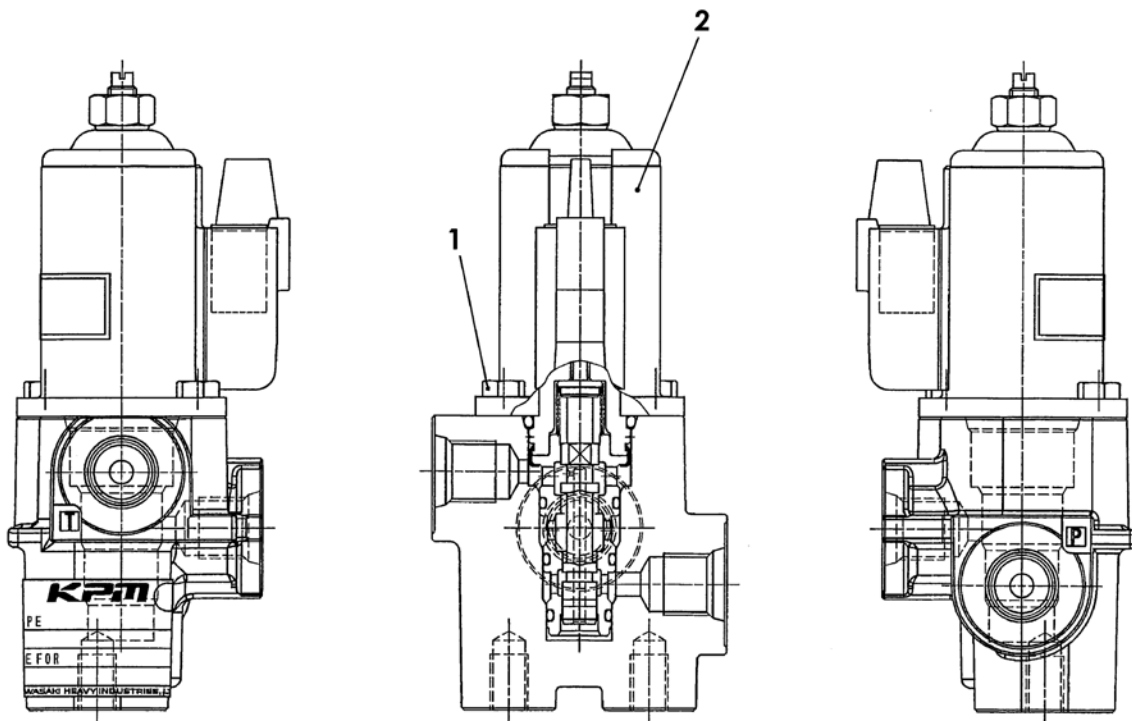
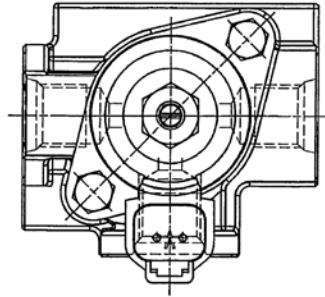


ROH100

S=FREI

Item	Part No.	Name	Qty	Uom	Remarks	Serial Number
0	1901765400	VALVE, solenoid (1 BLOCK SOLENOID)	1	EA		
1	1901765401	VALVE, solenoid	1	EA		
2	1901741703	COIL	2	EA		
3	1901764603	VALVE, check	1	EA		

HYDRAULIC DEVICE ELECTRICAL PROPORTION VALVE; 1 BLOCK



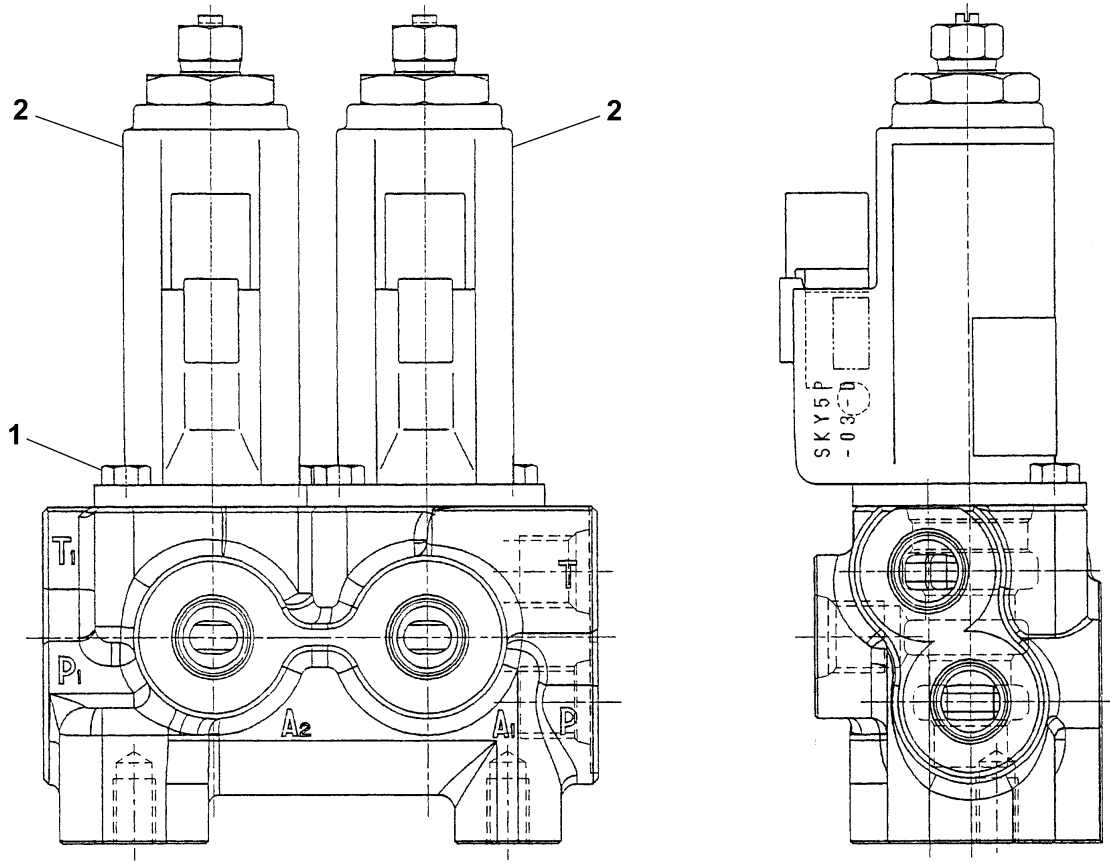
S7H010

S=free

463
MODEL: TL12V2

Item	Part No.	Name	Qty	Uom	Remarks	Serial Number
0	1901765600	VALVE ASSY, solenoid (1-block)	1	EA		
1	1100080512	BOLT	2	EA		
2	1901765602	VALVE, proportional	1	EA		

HYDRAULIC DEVICE ELECTRICAL PROPORTION VALVE; 2 BLOCKS

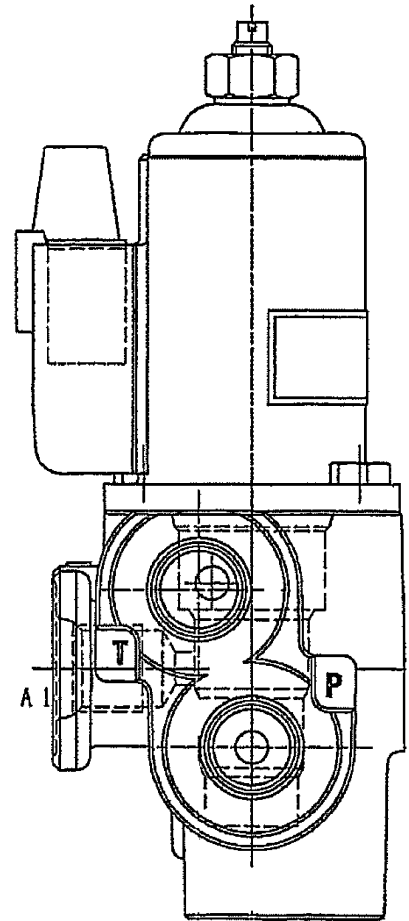
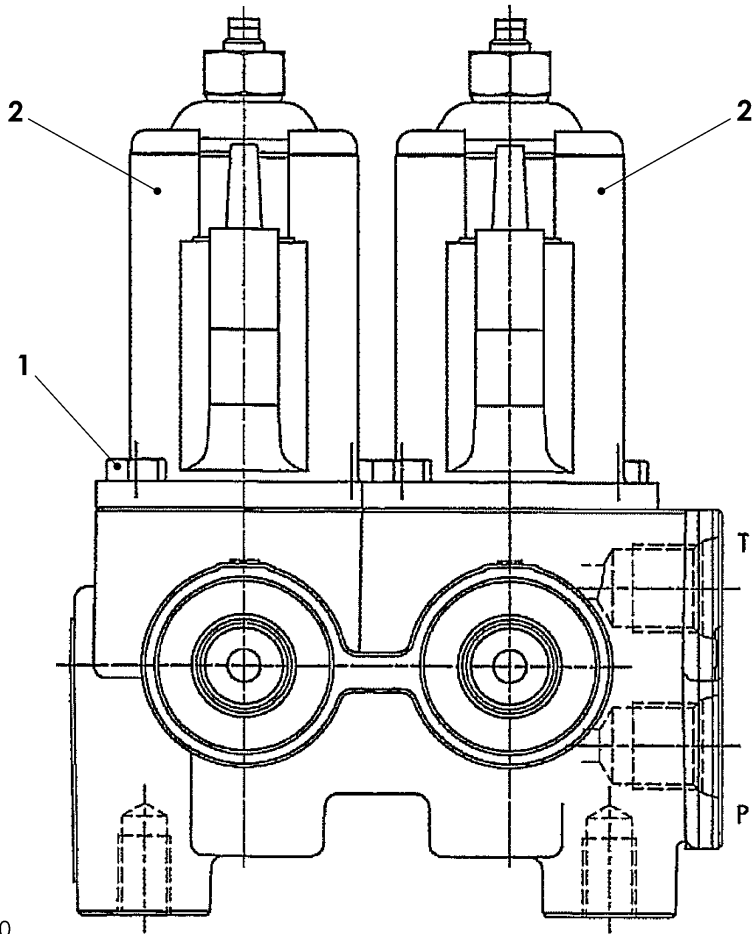


J3H020

S=free

Item	Part No.	Name	Qty	Uom	Remarks	Serial Number
0	1901752100	VALVE ASSY, proportional	1	EA		
1	1110050512	SCREW, cap (10TM5 X 12 P/0.8)	4	EA		
2	1901752103	VALVE, proportional	2	EA		

HYDRAULIC DEVICE ELECTRICAL PROPORTION VALVE; 2 BLOCKS

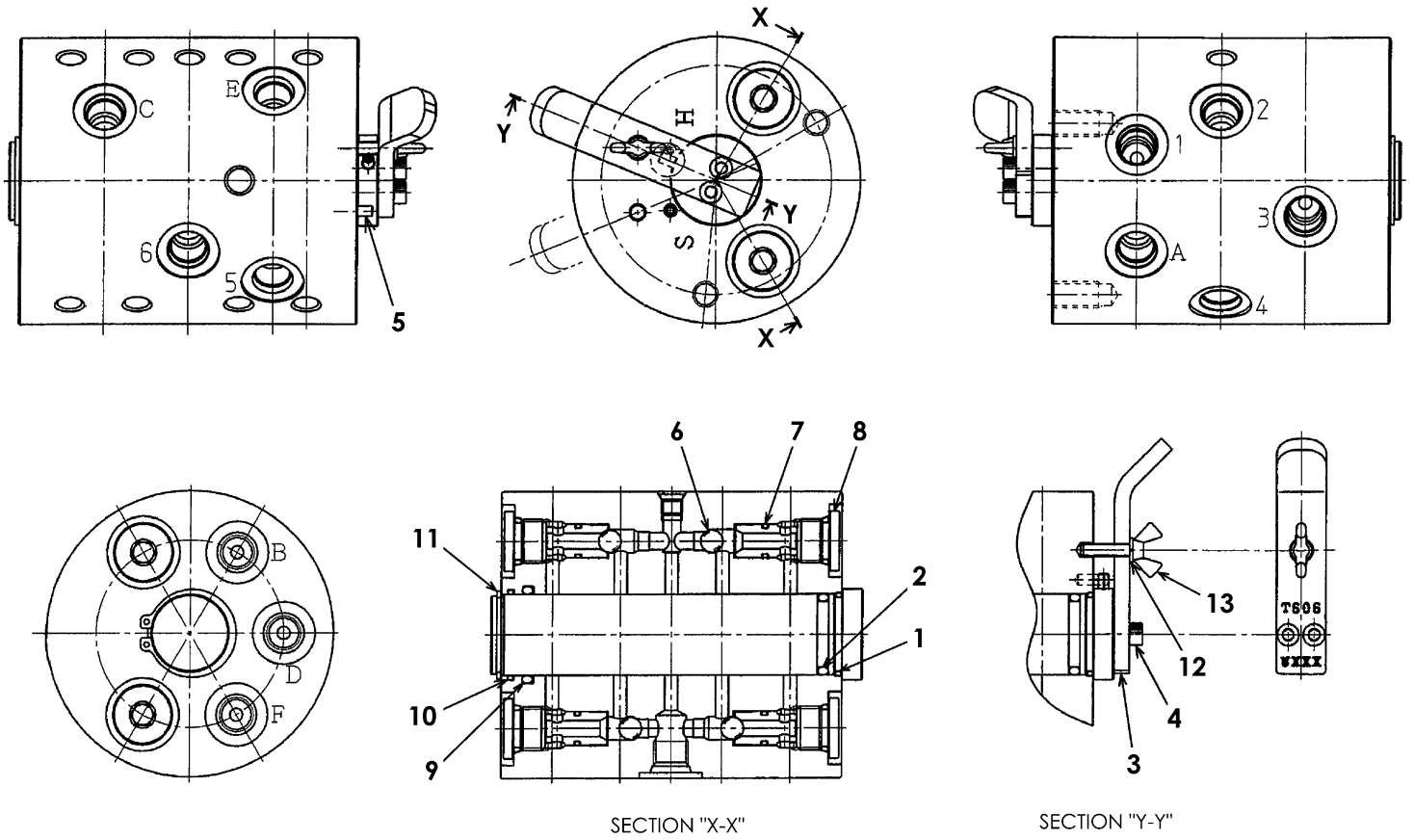


ROH030

S=FREE

Item	Part No.	Name	Qty	Uom	Remarks	Serial Number
0	1901766400	VALVE, solenoid	1	EA		
1	1100020512	BOLT	4	EA		
2	1901765602	VALVE, proportional	2	EA		

HYDRAULIC DEVICE SELECTOR VALVE (ISO-H pattern)

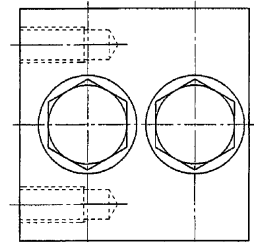
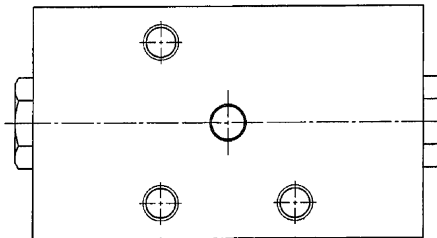
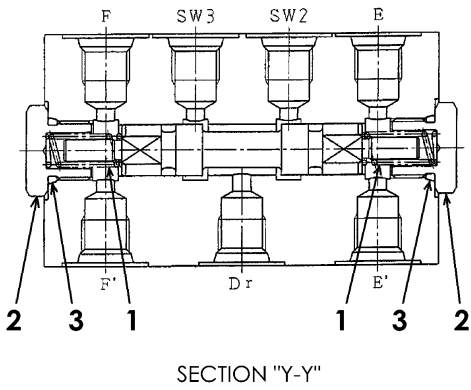
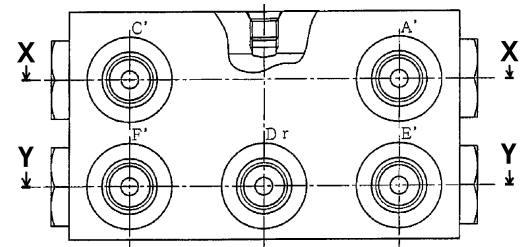
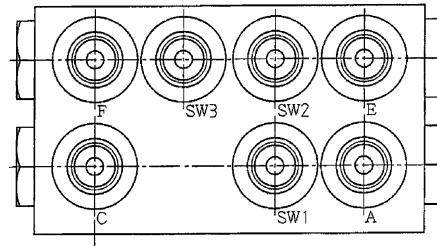
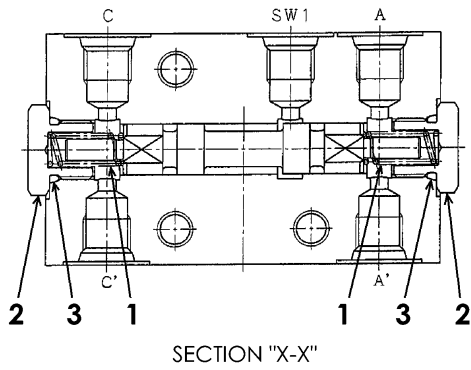


U6H140

S=free

Item	Part No.	Name	Qty	Uom	Remarks	Serial Number
0	1901760600	VALVE, selector	1	EA		
1	1901730508	O-RING	1	EA		
2	1901730507	O-RING	1	EA		
3	1901730503	LEVER	1	EA		
4	1110020514	SCREW, cap	2	EA		
5	1213000412	PIN, spring	3	EA		
6	1901760606	BALL, steel	4	EA		
7	1420010100	O-RING (PUMP)	4	EA		
8	1901036678	PLUG ASSY	4	EA		
8	1420010140	O-RING	1	EA		
9	1901730506	O-RING	1	EA		
10	1901730505	O-RING	1	EA		
11	1220000030	RING, snap	1	EA		
12	1140020005	WASHER, spring	1	EA		
13	1901730504	BOLT	1	EA		

HYDRAULIC DEVICE SHUTTLE VALVE

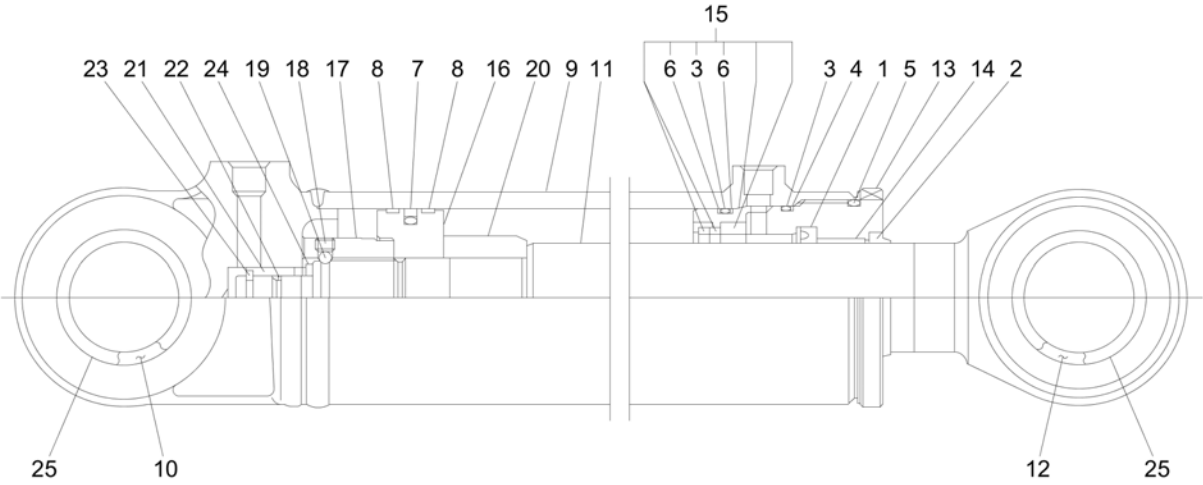


U6H150

S=free

Item	Part No.	Name	Qty	Uom	Remarks	Serial Number
0	1901760700	VALVE, shuttle	1	EA		
1	1901760701	SPRING	4	EA		
2	1901760702	PLUG	4	EA		
3	1420000140	O-RING	4	EA		

HYDRAULIC DEVICE LIFT ARM CYLINDER

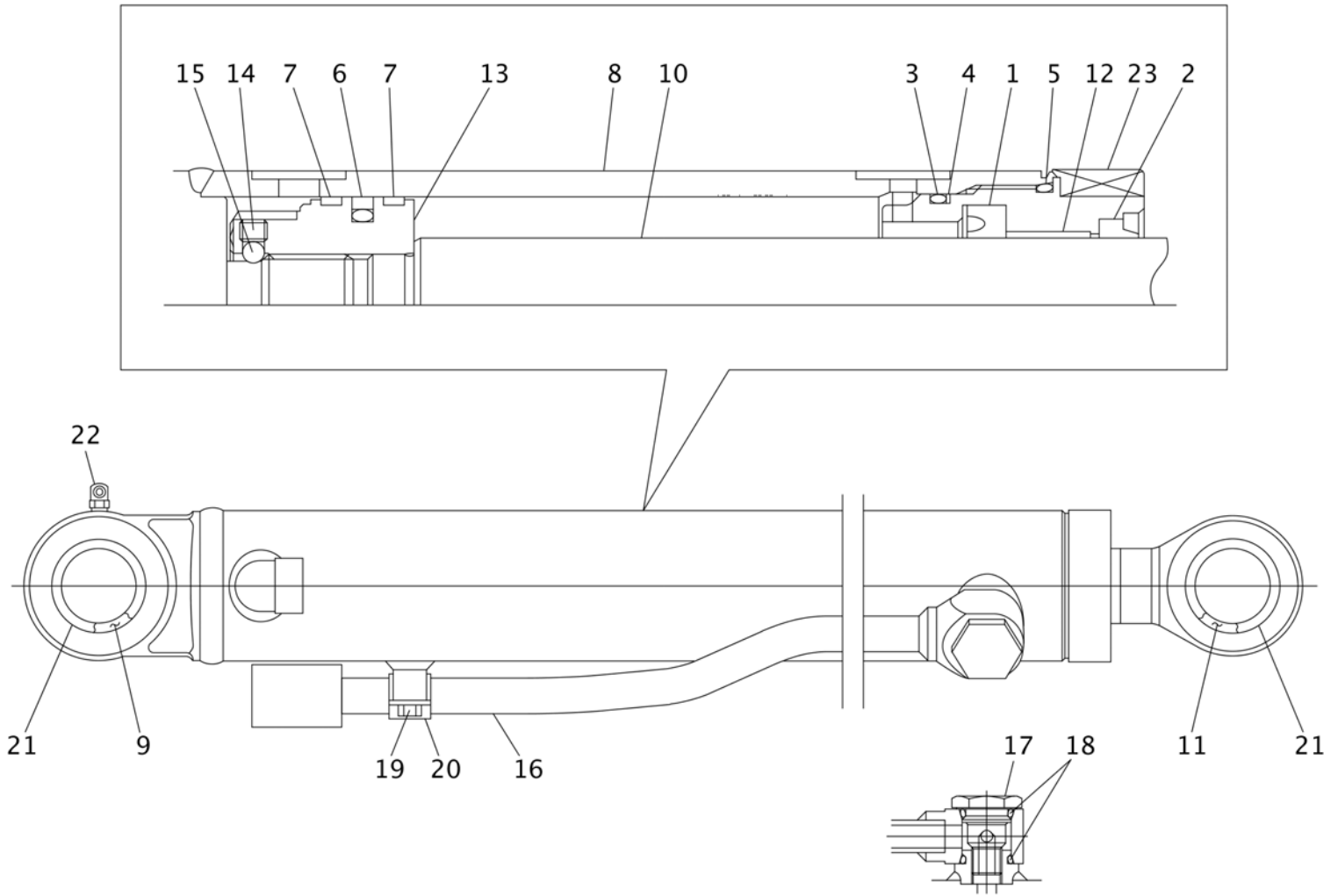


ROH040

S=FREE

Item	Part No.	Name	Qty	Uom	Remarks	Serial Number
0	1900120200	CYLINDER ASSY, arm	1	EA	lift arm	
0-1	1900120299	KIT, seal (ARM CYLINDER)	1	EA		
1	1900120203	PACKING, rod	1	EA		
2	1900071832	SEAL, dust	1	EA		
3	1420111100	O-RING	2	EA		
4	1900090037	RING, back-up	1	EA		
5	1420111150	O-RING G-150	1	EA		
6	1900067333	RING, back-up	2	EA		
7	1900067331	PACKING, piston	1	EA		
8	1900090026	RING, wear (DOZER BLADE CYLINDER)	2	EA		
9	1900120298	TUBE ASSY	1	EA		
10	0002727000	BUSHING	1	EA		
11	1900120297	ROD ASSY, piston	1	EA		
12	0002727000	BUSHING	1	EA		
13	1900120230	COVER, rod	1	EA		
14	1900120220	BUSHING	1	EA		
15	1900120219	HOLDER ASSY	1	EA		
16	1900092906	PISTON	1	EA		
17	1900090409	NUT	1	EA		
18	1121051212	SET-SCREW	1	EA		
19	1390020450	BALL, steel	1	EA		
20	1900120261	BEARING, cushion	1	EA		
21	1900120216	BEARING, cushion	1	EA		
22	1900086956	RING, cushion	1	EA		
23	1900063640	STOPPER	2	EA		
24	1900063641	RING, snap	1	EA		
25	1900120233	SEAL, dust	4	EA		

HYDRAULIC DEVICE BUCKET CYLINDER (L.H.)



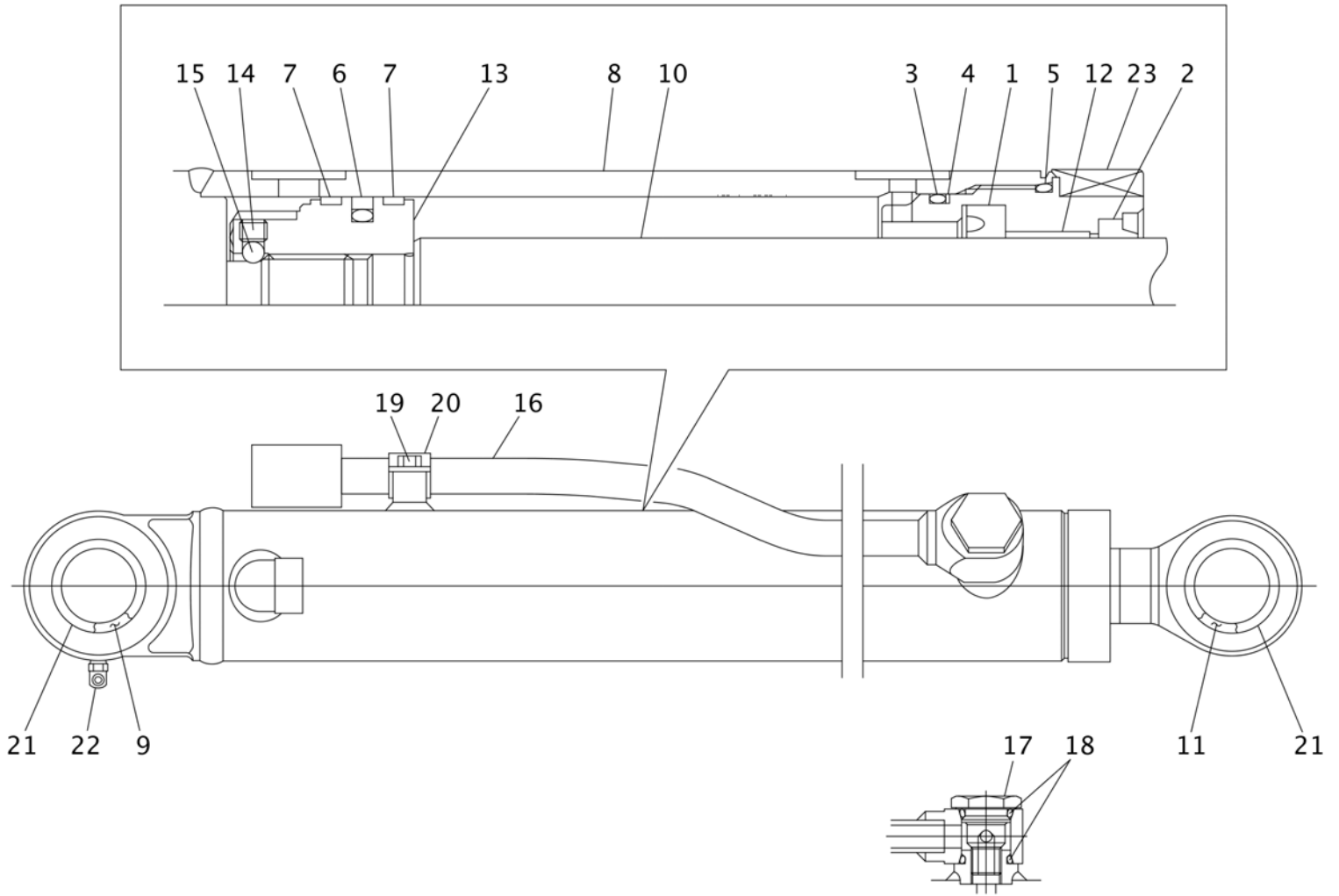
ROH050

S=FREI

475
MODEL: TL12V2

Item	Part No.	Name	Qty	Uom	Remarks	Serial Number
0	1900120300	CYLINDER ASSY, bucket (L.H.)	1	EA	bucket (L.H.)	
0-1	1900104999	KIT, seal (BUCKET CYLINDER)	1	EA		
1	1900005912	PACKING, rod	1	EA		
2	1900075133	SEAL, dust	1	EA		
3	1420110700	O-RING	1	EA		
4	1900104927	RING, back-up	1	EA		
5	1420110750	O-RING	1	EA		
6	1900050333	PACKING, piston	1	EA		
7	1900104926	RING, wear	2	EA		
8	1900120398	TUBE ASSY	1	EA		
9	1900015502	BUSHING	1	EA		
10	1900120497	ROD, piston	1	EA		
11	1900015502	BUSHING	1	EA		
12	1900101702	BUSHING	1	EA		
13	1900120406	PISTON	1	EA		
14	1121050808	SET-SCREW (M8 X 8 P/1.25)	1	EA		
15	1390020350	BALL, steel	1	EA		
16	1900120328	PIPE ASSY	1	EA		
17	1900116929	PLUG	1	EA		
18	1420010260	O-RING	2	EA		
19	1900117819	BOLT	1	EA		
20	1900086917	HOLDER, pipe	1	EA		
21	1432200045	SEAL, dust	4	EA		
22	1900105228	FITTING, grease	1	EA		
23	1900120428	COVER, rod	1	EA		

HYDRAULIC DEVICE BUCKET CYLINDER (R.H.)

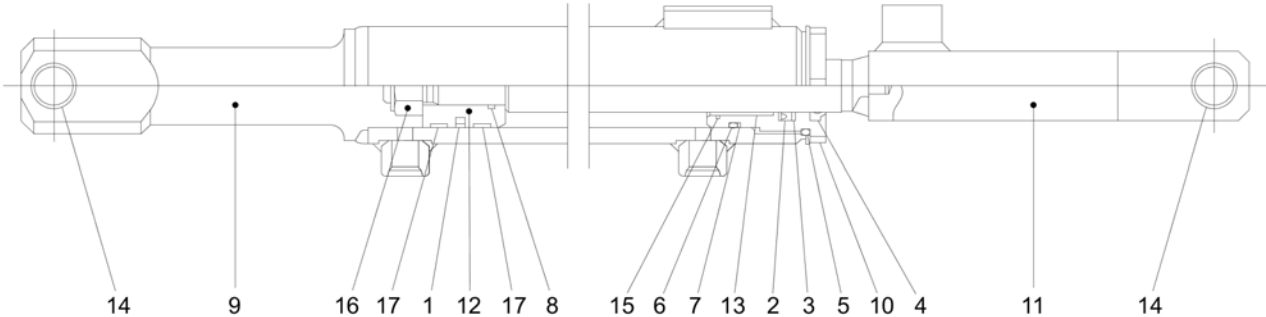


ROH060

S=FREI

Item	Part No.	Name	Qty	Uom	Remarks	Serial Number
0	1900120400	CYLINDER ASSY, bucket (R.H.)	1	EA	bucket (R.H.)	
0-1	1900104999	KIT, seal (BUCKET CYLINDER)	1	EA		
1	1900005912	PACKING, rod	1	EA		
2	1900075133	SEAL, dust	1	EA		
3	1420110700	O-RING	1	EA		
4	1900104927	RING, back-up	1	EA		
5	1420110750	O-RING	1	EA		
6	1900050333	PACKING, piston	1	EA		
7	1900104926	RING, wear	2	EA		
8	1900120498	TUBE ASSY	1	EA		
9	1900015502	BUSHING	1	EA		
10	1900120497	ROD, piston	1	EA		
11	1900015502	BUSHING	1	EA		
12	1900101702	BUSHING	1	EA		
13	1900120406	PISTON	1	EA		
14	1121050808	SET-SCREW (M8 X 8 P/1.25)	1	EA		
15	1390020350	BALL, steel	1	EA		
16	1900190708	PIPE ASSY	1	EA		
17	1900116929	PLUG	1	EA		
18	1420010260	O-RING	2	EA		
19	1900117819	BOLT	1	EA		
20	1900086917	HOLDER, pipe	1	EA		
21	1432200045	SEAL, dust	4	EA		
22	1900105228	FITTING, grease	1	EA		
23	1900120428	COVER, rod	1	EA		

HYDRAULIC DEVICE QUICK HITCH CYLINDER (412000006-412000518)

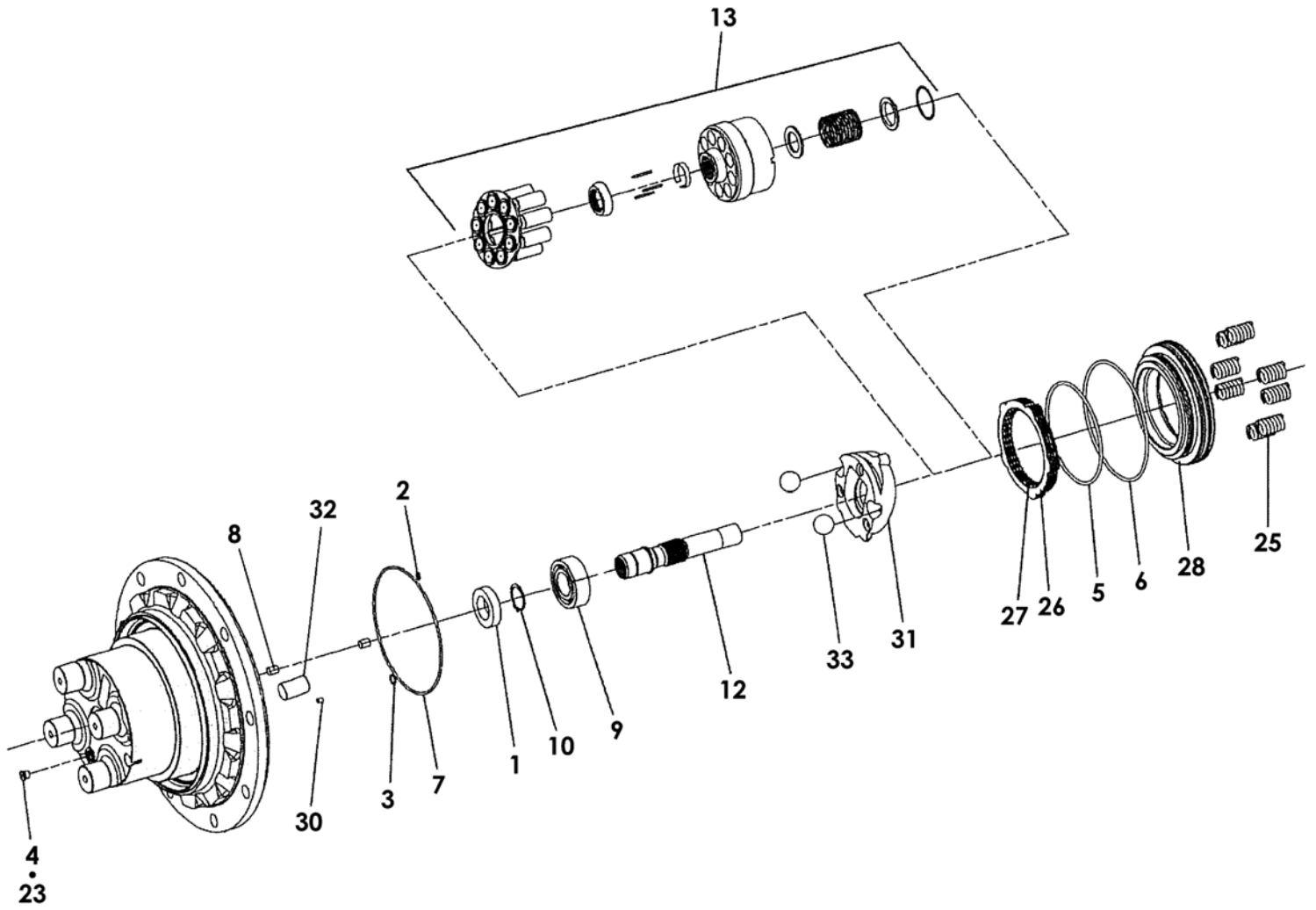


U1H050

S=FREE

Item	Part No.	Name	Qty	Uom	Remarks	Serial Number
-	1900100700	CYLINDER ASSY	1	EA	quick hitch	
0-1	1900100799	KIT, seal (HYDRAULIC CYLINDER)	1	EA	(DOES NOT INCLUDE WEAR RINGS)	
1	1410200400	PACKING, piston	1	EA		
2	1411140250	PACKING, rod	1	EA		
3	1411233252	RING, back-up	1	EA		
4	1411110250	SEAL, dust	1	EA		
5	1420110400	O-RING (40/45 T/3.1 (-+0.1))	1	EA		
6	1420110350	O-RING	1	EA		
7	1421130350	RING, back-up	1	EA		
8	1420010180	O-RING	1	EA		
9	1900100707	TUBE ASSY	1	EA		
10	1900100706	COVER, rod	1	EA		
11	1900100701	ROD ASSY, piston	1	EA		
12	1900100705	PISTON	1	EA		
13	1333002525	BUSHING	1	EA		
14	1333001830	BUSHING	2	EA		
15	1225620029	RING, snap	1	EA		
16	1132711016	NUT	1	EA		
17	1410810400	RING, wear	2	EA		

HYDRAULIC DEVICE TRAVEL MOTOR 1



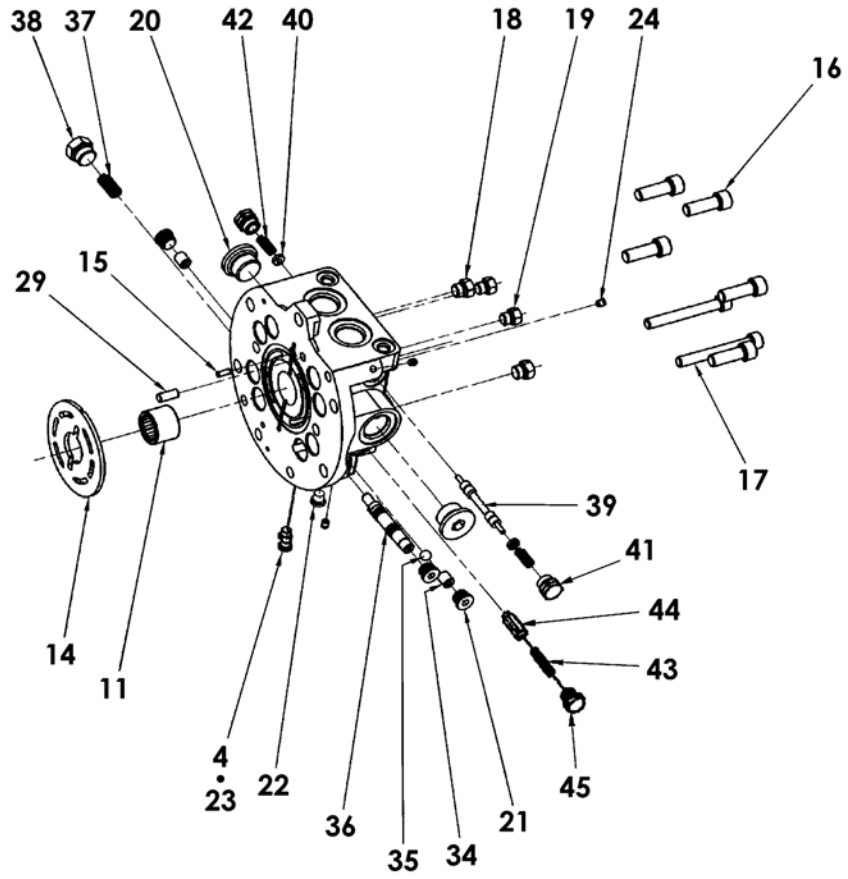
ROH080c

S=free

481
MODEL: TL12V2

Item	Part No.	Name	Qty	Uom	Remarks	Serial Number
0	1903132000	MOTOR, travel	1	EA		
0-1	*****	MOTOR ASSY	1	EA		
0-2	1903912099	KIT, seal (TRAVEL MOTOR)	1	EA		
1	1903910701	SEAL, oil	1	EA		
2	1420010090	O-RING (P-9 90B)	1	EA		
3	1420010110	O-RING	1	EA		
4	1420310903	O-RING	3	EA		
5	1420310250	O-RING	1	EA		
6	1420300257	O-RING	1	EA		
7	1420300164	O-RING	1	EA		
8	1902006702	PIN	2	EA		
9	1903906803	BEARING	1	EA		
10	1903910104	RING, snap	1	EA		
12	1903906807	SHAFT	1	EA		
13	1903906810	KIT, cylinder block	1	EA		
23	1903910117	PLUG ASSY	3	EA		
23	1420310903	O-RING	1	EA		
25	1903906828	SPRING	8	EA		
26	1903906829	PLATE	4	EA		
27	1903906830	PLATE	3	EA		
28	1903906831	PISTON, brake	1	EA		
30	1903908036	ORIFICE	1	EA		
31	1903910703	PLATE, swash	1	EA		
32	1903912001	PISTON	1	EA		
33	1903910127	BALL, steel	2	EA		

HYDRAULIC DEVICE TRAVEL MOTOR 2

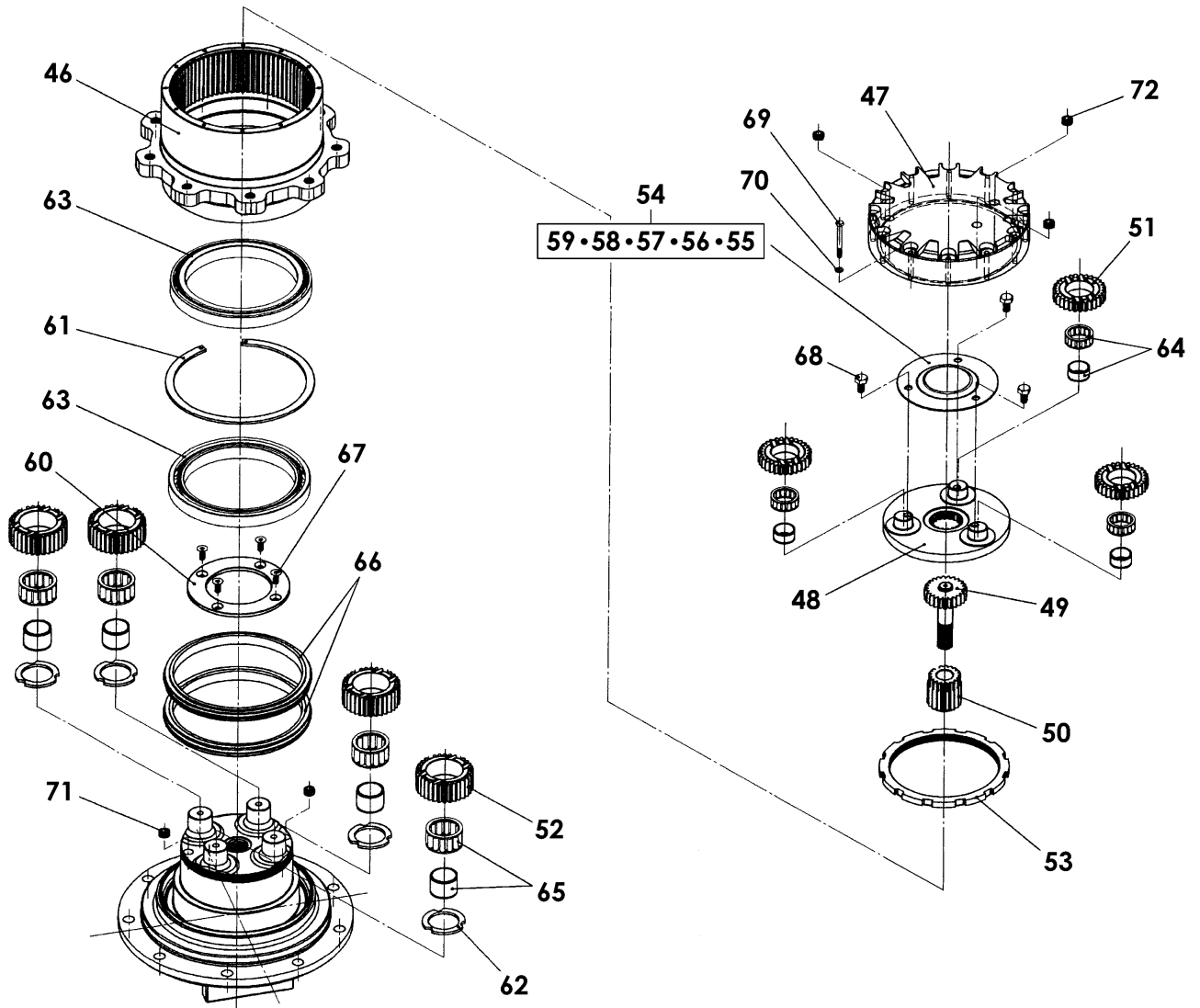


ROH080b

S=free

Item	Part No.	Name	Qty	Uom	Remarks	Serial Number
4	1420310903	O-RING	3	EA		
11	1903908406	BEARING	1	EA		
14	1903908411	PLATE	1	EA		
15	1902007411	PIN	1	EA		
16	1110041235	SCREW, cap	5	EA		
17	1110021080	SCREW, cap	2	EA		
18	1902021416	PLUG ASSY	2	EA		
18	1420310905	O-RING (ARP568-905)	1	EA		
19	1903910113	PLUG ASSY	2	EA		
19	1420310904	O-RING	1	EA		
20	1903910114	PLUG ASSY	2	EA		
20	1420010224	O-RING	1	EA		
21	1903910115	PLUG ASSY	3	EA		
21	1420310906	O-RING (ARP568-906-1B)	1	EA		
22	1903910116	PLUG ASSY	1	EA		
22	1420310904	O-RING	1	EA		
23	1903910117	PLUG ASSY	3	EA		
23	1420310903	O-RING	1	EA		
24	1903910702	PLUG	3	EA		
29	1903906832	PIN	1	EA		
34	1903906840	PLUG	2	EA		
35	1903910129	BALL, steel	1	EA		
36	1903906842	SPOOL	1	EA		
37	1903906843	SPRING	1	EA		
38	1903910132	PLUG ASSY	1	EA		
38	1420310908	O-RING (ARP568-908-1B)	1	EA		
39	1901810212	SPOOL	1	EA		
40	1901810211	GUIDE	2	EA		
41	1903910135	PLUG ASSY	2	EA		
41	1420310906	O-RING (ARP568-906-1B)	1	EA		
42	1901810203	SPRING	2	EA		
43	1903910704	SPRING	1	EA		
44	1903910705	POPPET	1	EA		
45	1902016544	PLUG ASSY	1	EA		
45	1420310906	O-RING (ARP568-906-1B)	1	EA		

HYDRAULIC DEVICE TRAVEL MOTOR 3

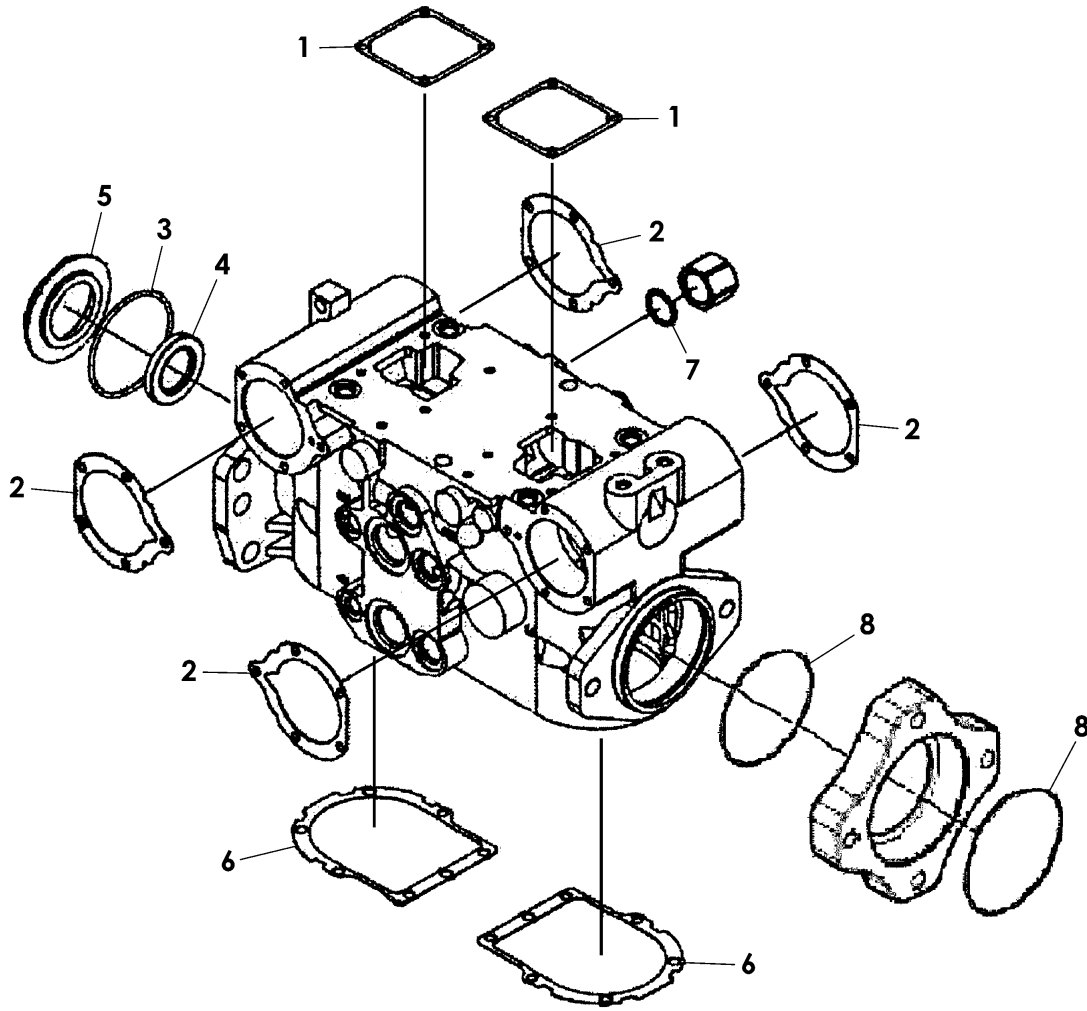


ROH080c

S=free

Item	Part No.	Name	Qty	Uom	Remarks	Serial Number
9	1903906803	BEARING	1	EA		
46	1912907801	GEAR, ring	1	EA		
47	1912907802	COVER	1	EA		
48	1912907803	CARRIER	1	EA		
49	1912907804	GEAR	1	EA		
50	1912907805	GEAR	1	EA		
51	1912907806	GEAR	3	EA		
52	1912907807	GEAR	4	EA		
53	1912907809	NUT	1	EA		
54	1912907810	PLATE KIT, stopper	1	EA		
55	1912907811	PLATE, stopper	1	EA	t=6.4mm	
56	1912907812	PLATE, stopper	1	EA	t=6.8mm	
57	1912907813	PLATE, stopper	1	EA	t=6.8mm	
58	1912907814	PLATE, stopper	1	EA	t=7.0mm	
59	1912907815	PLATE, stopper	1	EA	t=7.2mm	
60	1912907818	PLATE, stopper	1	EA		
61	1912907819	RING, snap	1	EA		
62	1912907820	WASHER	4	EA		
63	1912907821	BEARING	2	EA		
64	1912907822	BEARING	3	EA		
65	1912907824	BEARING	4	EA		
66	1912907826	SEAL KIT, floating	1	EA		
67	1912907827	SCREW, cap	4	EA		
68	1912907828	BOLT	3	EA		
69	1100050625	BOLT (10TM6 X 25 P/1.00)	12	EA		
70	1141190006	WASHER	12	EA		
71	1501810003	PLUG	2	EA		
72	1912907830	PLUG	3	EA		

HYDRAULIC DEVICE HYDRAULIC PUMP 1

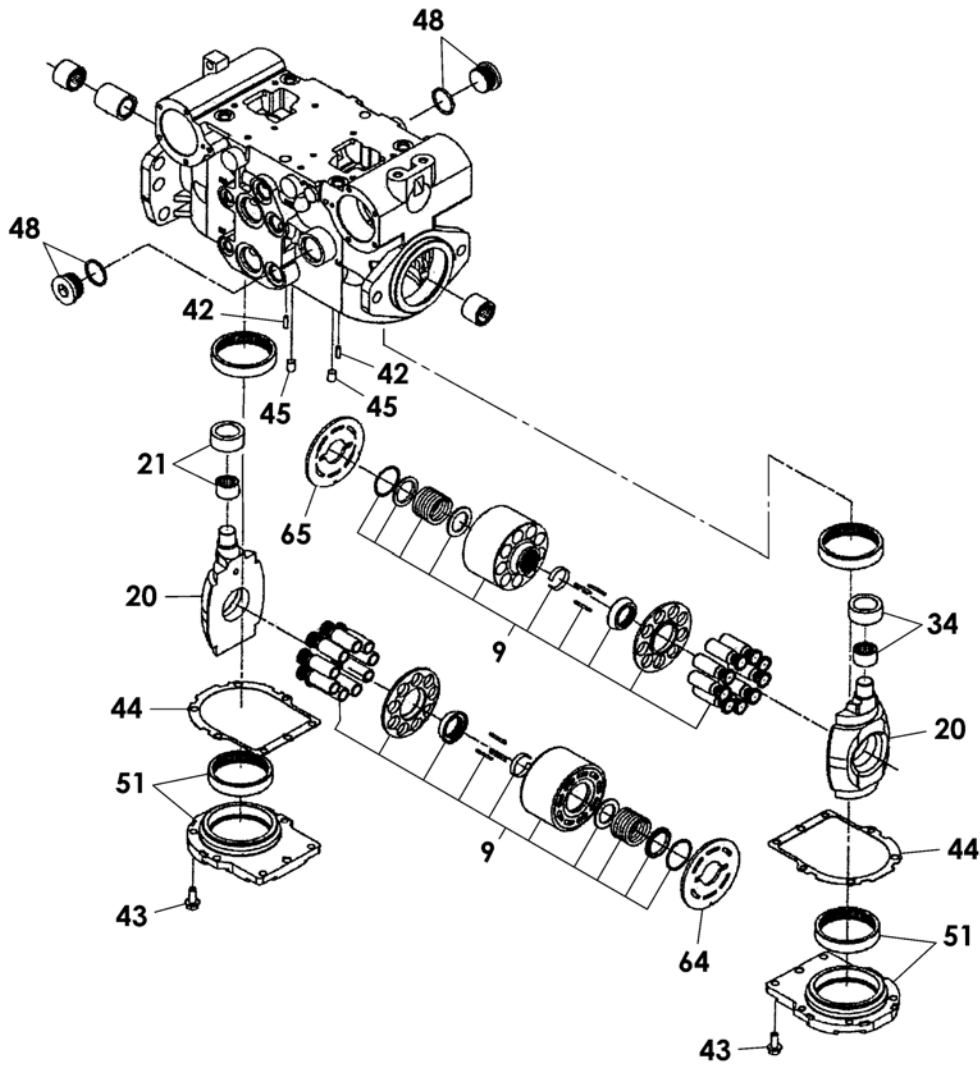


ROH070a

S=FREE

Item	Part No.	Name	Qty	Uom	Remarks	Serial Number
0	1902030600	PUMP, hydraulic		EA		
0-1	1902030699	KIT, seal (HYDRAULIC PUMP)		EA		
1	1902020733	GASKET	2	EA		
2	1902017713	GASKET	4	EA		
3	1902016507	O-RING	1	EA		
4	1902024610	KIT, seal	1	EA		
5	1902027172	SEAL, carrier	1	EA		
6	1902020721	GASKET	2	EA		
7	1420310910	O-RING	1	EA		
8	1420300155	O-RING	2	EA		

HYDRAULIC DEVICE HYDRAULIC PUMP 2

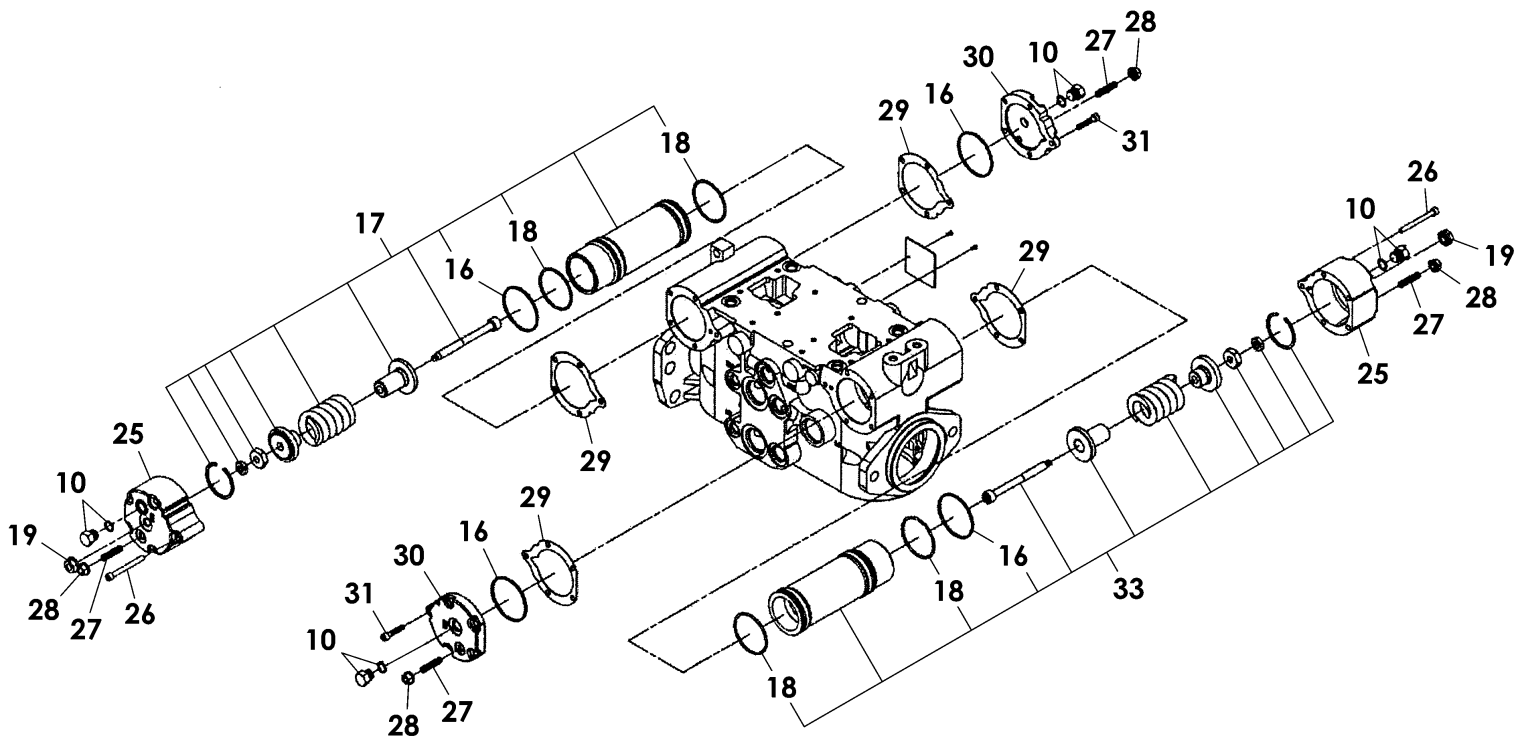


ROH070b

S=free

Item	Part No.	Name	Qty	Uom	Remarks	Serial Number
9	1902023101	BLOCK KIT, cylinder	2	EA		
20	1902023203	PLATE, swash	2	EA		
21	1902017701	BEARING	1	EA		
34	1902023209	BEARING ASSY	1	EA		
42	1902018809	PIN	2	EA		
43	1902020746	SCREW	12	EA		
44	1902020721	GASKET	2	EA		
45	1902006702	PIN	2	EA		
48	1902017724	PLUG ASSY	2	EA		
48	1420310916	O-RING	1	EA		
51	1902020723	COVER ASSY	2	EA		
64	1902018823	PLATE	1	EA		
65	1902026903	PLATE	1	EA		

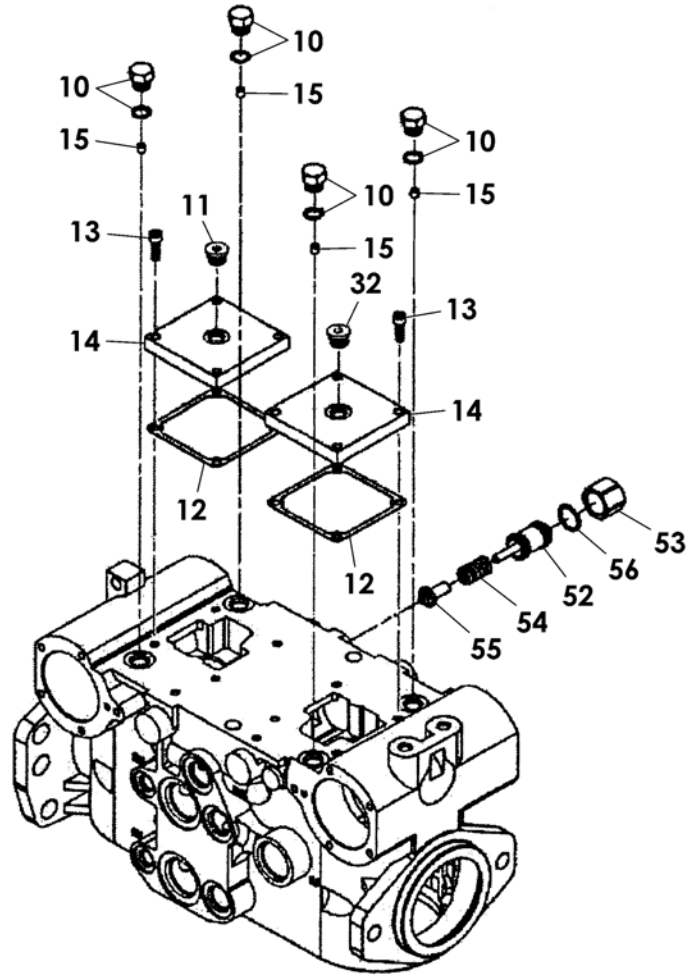
HYDRAULIC DEVICE HYDRAULIC PUMP 3



ROH070c

S=free

Item	Part No.	Name	Qty	Uom	Remarks	Serial Number
10	1902016531	PLUG ASSY (FOR O-RING ONLY USE #1420370906)	8	EA		
10	1420310906	O-RING (ARP568-906-1B)	1	EA		
16	1902017727	RING, backup (ORDER #1420310139 WHEN REPLACED)	4	EA		
17	1902023201	PISTON ASSY	1	EA		
18	1420300139	O-RING	4	EA		
19	1902018825	NUT, seal	2	EA		
25	1902018818	COVER	2	EA		
26	1110040660	SCREW, cap	10	EA		
27	1902017425	SCREW	4	EA		
28	1902020751	NUT	4	EA		
29	1902017713	GASKET	4	EA		
30	1902018820	COVER	2	EA		
31	1110040630	SCREW, cap	10	EA		
33	1902023207	PISTON ASSY	1	EA		

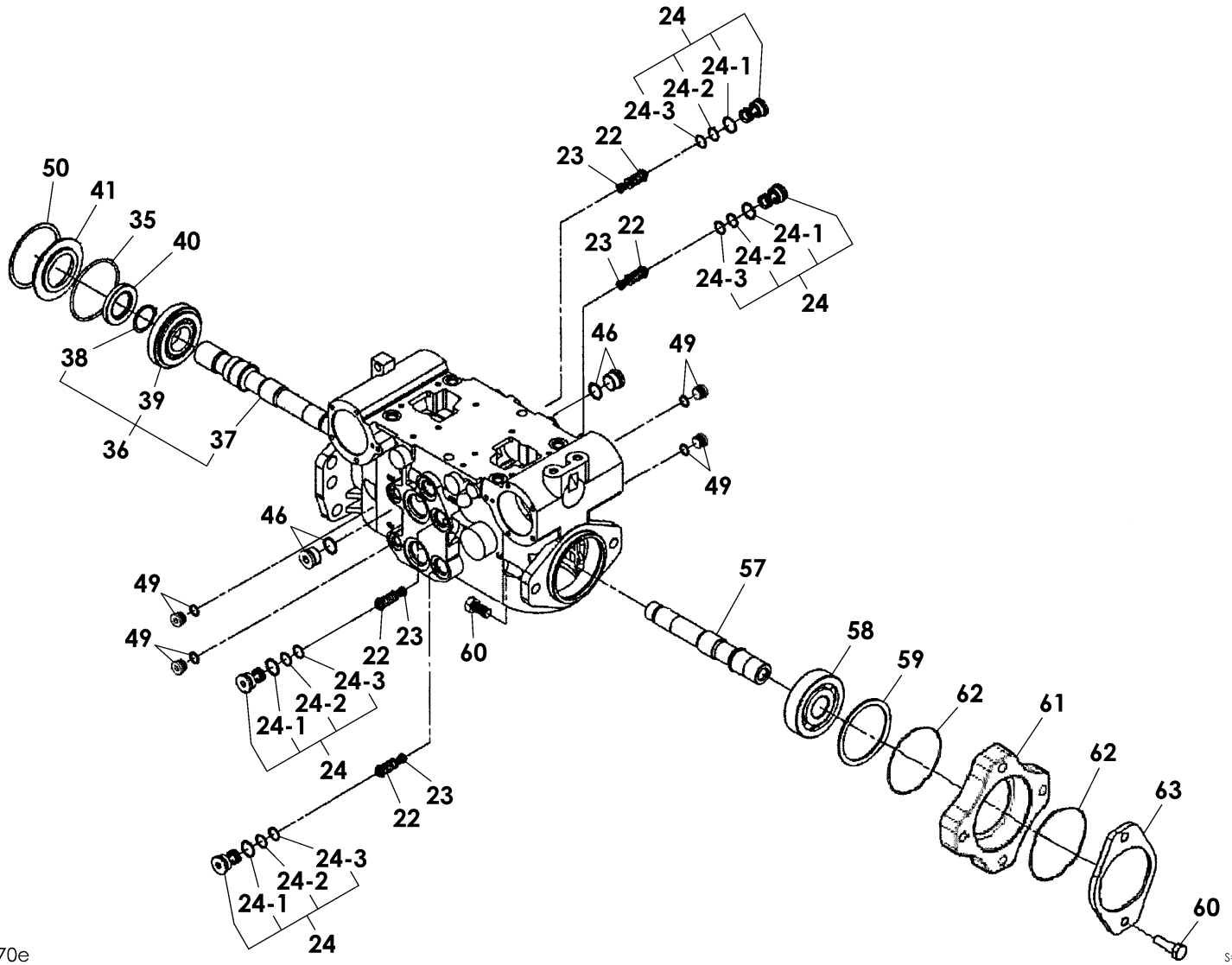


ROH070d

S=free

Item	Part No.	Name	Qty	Uom	Remarks	Serial Number
10	1902016531	PLUG ASSY (FOR O-RING ONLY USE #1420370906)	8	EA		
10	1420310906	O-RING (ARP568-906-1B)	1	EA		
11	1902010033	PLUG	1	EA		
12	1902020733	GASKET	2	EA		
13	1110050620	BOLT, socket (10TM6 X 20 P/1.0)	8	EA		
14	1902024601	COVER	2	EA		
15	1902018807	ORIFICE	4	EA		
32	1902010033	PLUG	1	EA		
52	1902017736	ADJUSTER	1	EA		
53	1902016552	NUT	1	EA		
54	1902016553	SPRING	1	EA		
55	1902016554	POPPET	1	EA		
56	1420310910	O-RING	1	EA		

HYDRAULIC DEVICE HYDRAULIC PUMP 5



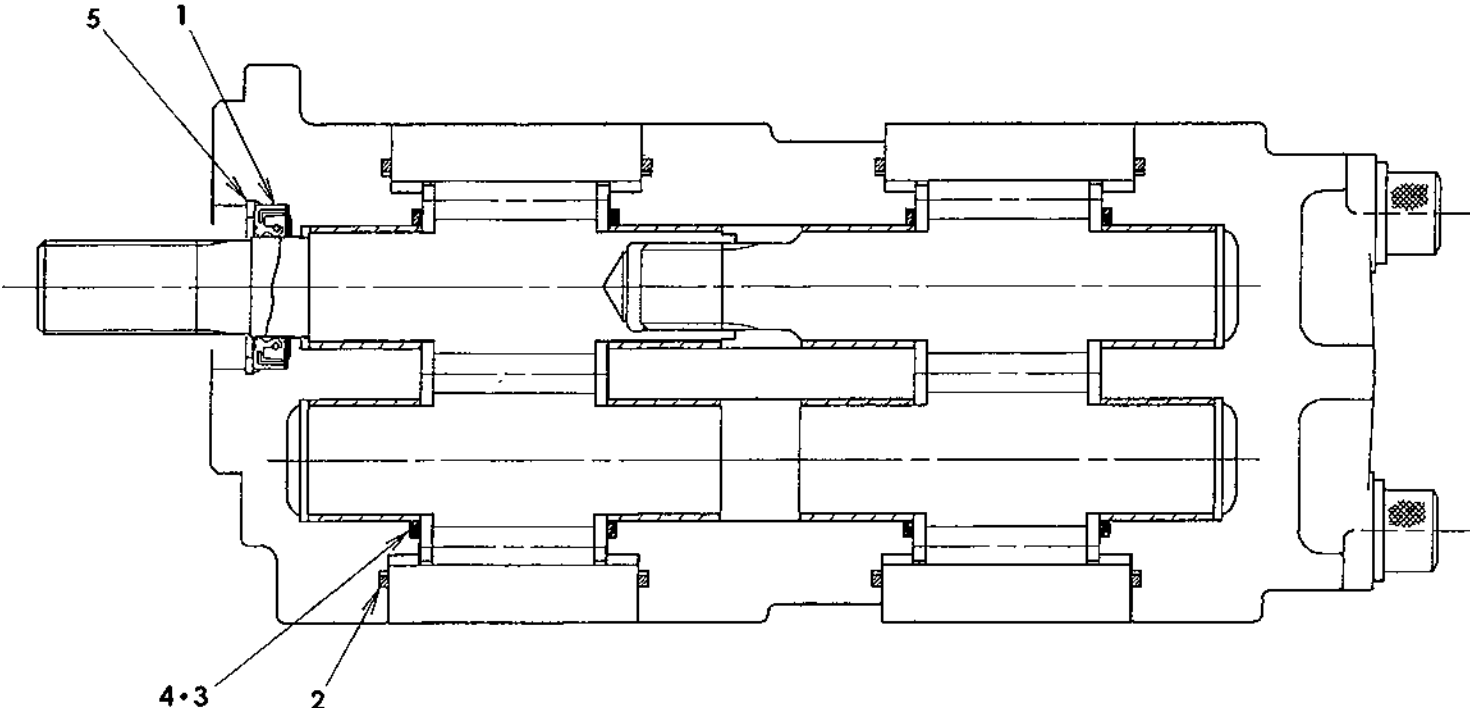
ROH070e

S=free

495
MODEL: TL12V2

Item	Part No.	Name	Qty	Uom	Remarks	Serial Number
22	1902023204	SCR VALVE ASSY, A (FRONT)	4	EA		
23	1902020736	SPRING	4	EA		
24	1902017716	PLUG ASSY	4	EA		
24-1	1420310910	O-RING	1	EA		
24-2	1902018815	RING, back-up	1	EA		
24-3	1902018814	O-RING	1	EA		
35	1902016507	O-RING	1	EA		
36	1902020712	SHAFT ASSY	1	EA		
37	1902023212	SHAFT	1	EA		
38	1902017704	RING, retaining	1	EA		
39	1902023213	BEARING	1	EA		
40	1902024610	KIT, seal	1	EA		
41	1902027172	SEAL, carrier	1	EA		
46	1912003106	PLUG ASSY	2	EA		
46	1420310910	O-RING	1	EA		
49	1901810214	PLUG ASSY	4	EA		
49	1420310906	O-RING (ARP568-906-1B)	1	EA		
50	1902016520	RING, retaining	1	EA		
57	1902030602	SHAFT	1	EA		
58	1902030603	BEARING ASSY	1	EA		
59	1902020761	RING, snap	1	EA		
60	1902030604	SCREW, cap	4	EA		
61	1902030605	ADAPTER	1	EA		
62	1420300155	O-RING	2	EA		
63	1902030606	PLATE	1	EA		

HYDRAULIC DEVICE GEAR PUMP

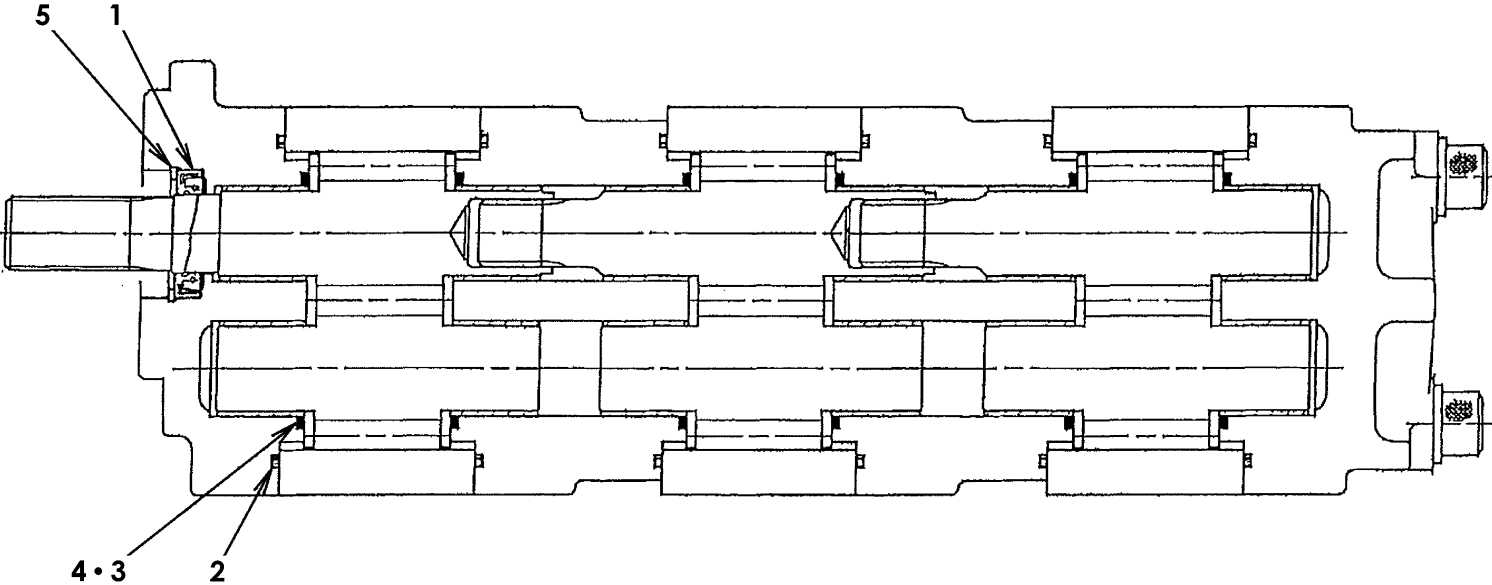


ROH090

3-1-cc

Item	Part No.	Name	Qty	Uom	Remarks	Serial Number
1	1902030801	SEAL, oil	1	EA		
2	1902017616	GASKET	4	EA		
3	1902017613	GASKET	4	EA		
4	1902017615	RING, back-up	4	EA		
5	1221000036	RING, snap	1	EA		

HYDRAULIC DEVICE GEAR PUMP (high flow)

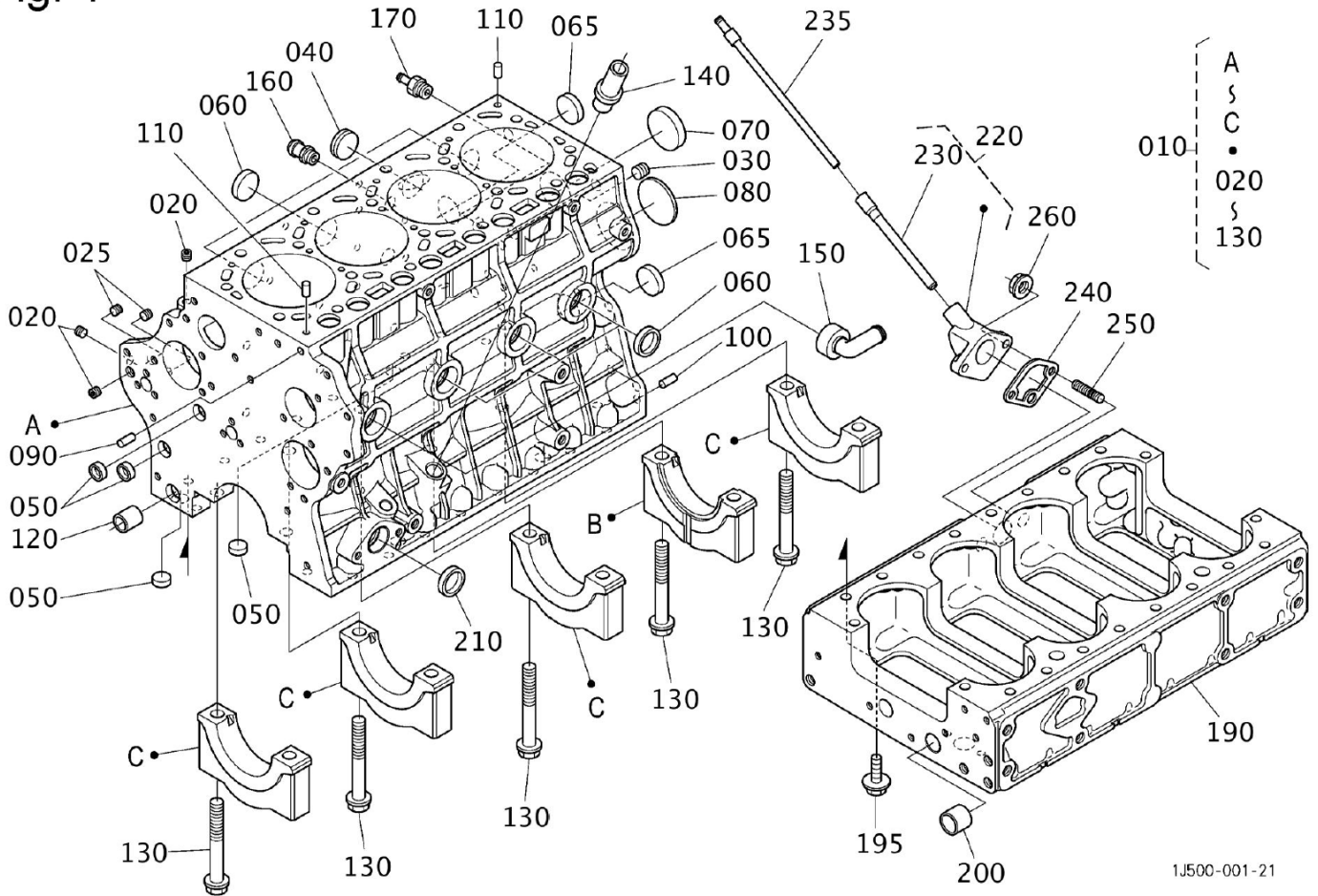


ROH110

S=FREE

Item	Part No.	Name	Qty	Uom	Remarks	Serial Number
0	1902030800	PUMP, gear (HIGH FLOW)	1	EA		
0-1	1902030899	SEAL KIT	1	EA		
1	1902030801	SEAL, oil	1	EA		
2	1902017616	GASKET	6	EA		
3	1902017613	GASKET	6	EA		
4	1902017615	RING, back-up	6	EA		
5	1221000036	RING, snap	1	EA		

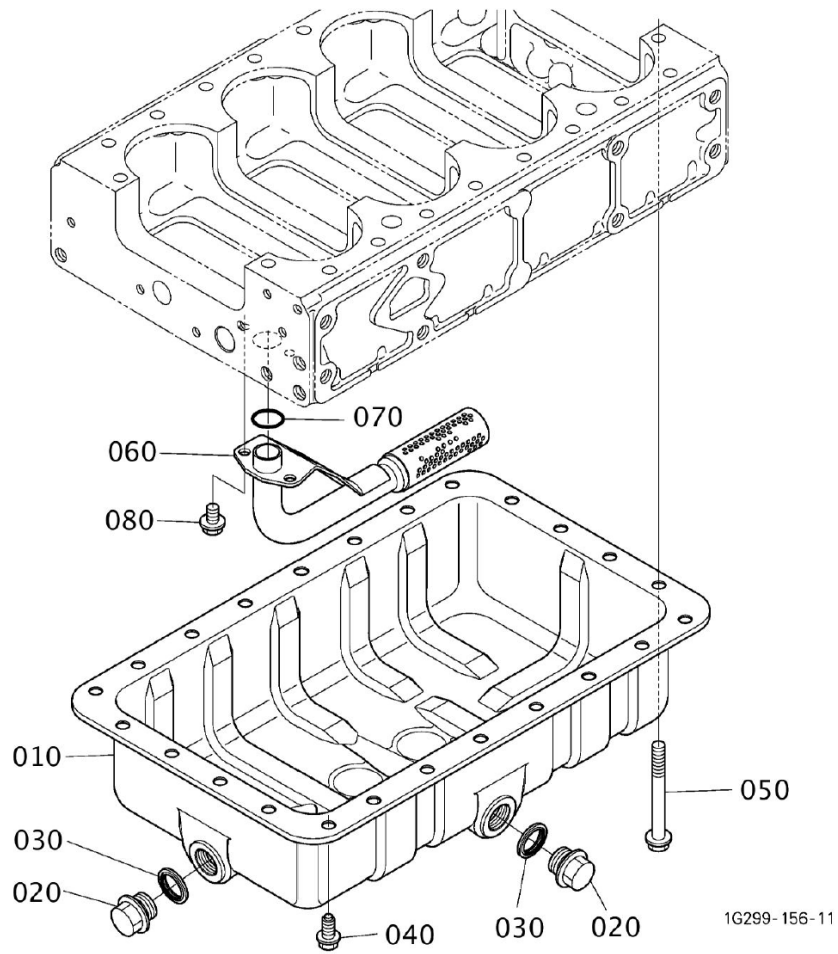
Fig. 1



1J500-001-21

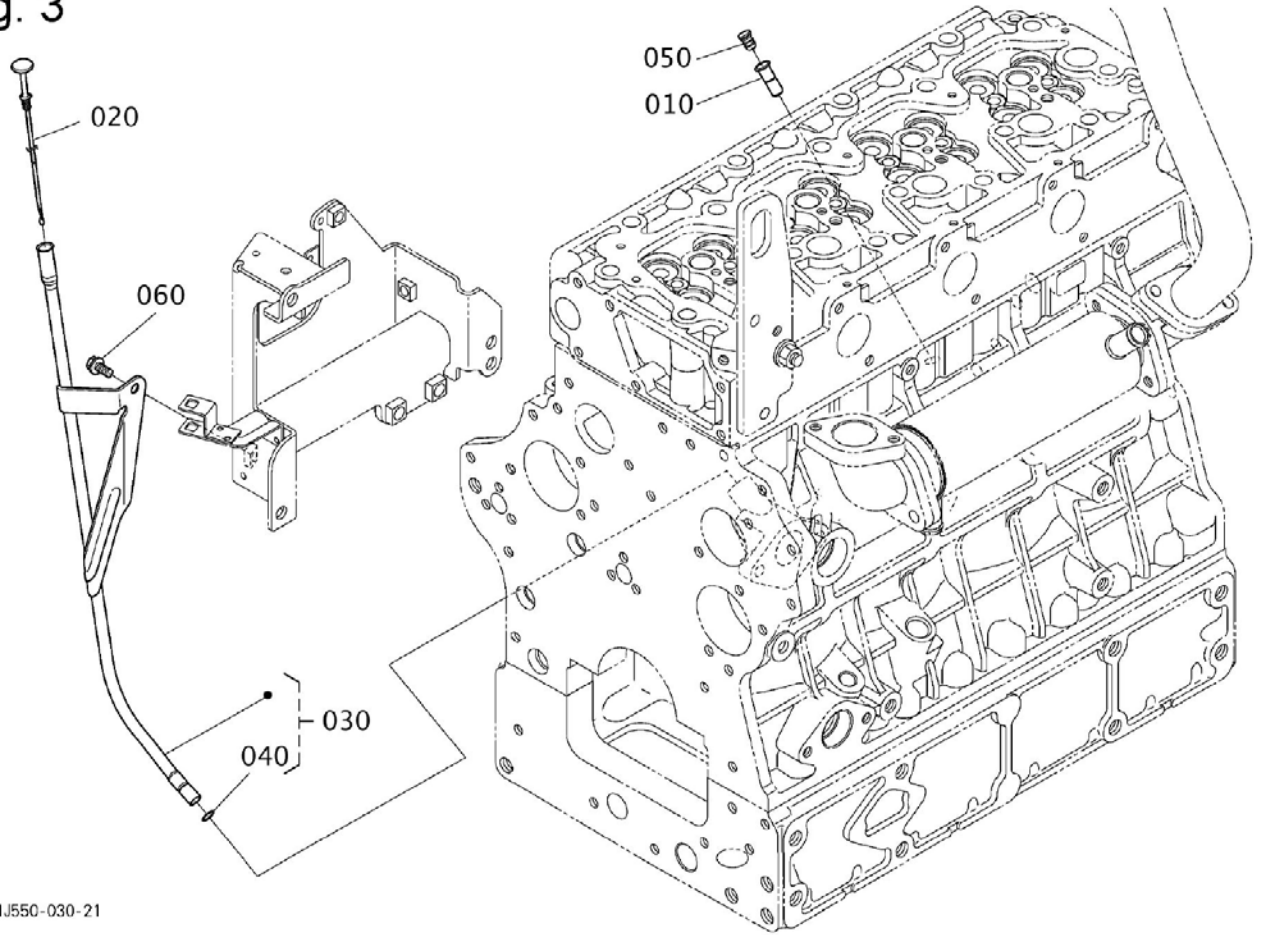
Item	Part No.	Name	Qty	Uom	Remarks	Serial Number
10	K1J508-01010	CRANKCASE	1	EA		
20	K15521-96020	PLUG	3	EA		
25	K15841-96020	PLUG	1	EA		
30	K1C010-96010	PLUG	1	EA		
40	K16683-96020	PLUG	1	EA		
50	K15261-03370	CAP, sealing	4	EA		
60	K15221-03380	CAP, sealing	6	EA		
65	K15221-03380	CAP, sealing	2	EA		
70	K15221-03390	CAP, sealing	1	EA		
80	K1C010-96160	PLUG	1	EA		
90	K05012-00820	PIN, straight	1	EA		
100	K05012-01016	PIN, straight	4	EA		
110	K15221-33650	PIN, pipe	2	EA		
120	K1C010-33643	PIN, straight	1	EA		
130	K1C010-04560	BOLT BEARING CASE	10	EA		
140	K1C040-33212	PIPE, oil	1	EA		
150	K1J550-71352	JOINT,PIPE	1	EA		
160	K1C010-37114	JOINT,WATER PIPE	1	EA		
170	K1G377-73170	PIPE JOINT DRAIN	1	EA		
190	K1E327-01120	CRANKCASE (2)	1	EA		
195	K01774-51030	BOLT, flange	16	EA		
200	K1C010-33653	PIN, straight	1	EA		
210	K15221-03380	CAP, sealing	1	EA		
220	K1J303-33100	FLANGE COMP	1	EA		
230	K1J419-05840	COMP. OIL RETURN PIPE	1	EA		
235	K1J432-36420	GUIDE (OIL GAUGE)	1	EA		
240	K15625-32890	GASKET	1	EA		
250	K1J542-91632	STUD	2	EA		
260	K02751-50080	NUT, flange	2	EA		

Fig. 2



Item	Part No.	Name	Qty	Uom	Remarks	Serial Number
10	K1C010-01503	COMP.OIL PAN	1	EA		
20	K15707-33750	PLUG DRAIN	2	EA		
30	K16265-96670	PACKING	2	EA		
40	K1C010-91100	BOLT	20	EA		
50	K01774-51004	BOLT	4	EA		
60	K1J550-32110	FILTER,OIL	1	EA		
70	K04814-00220	O-RING	1	EA		
80	K01754-50812	BOLT, flange	2	EA		

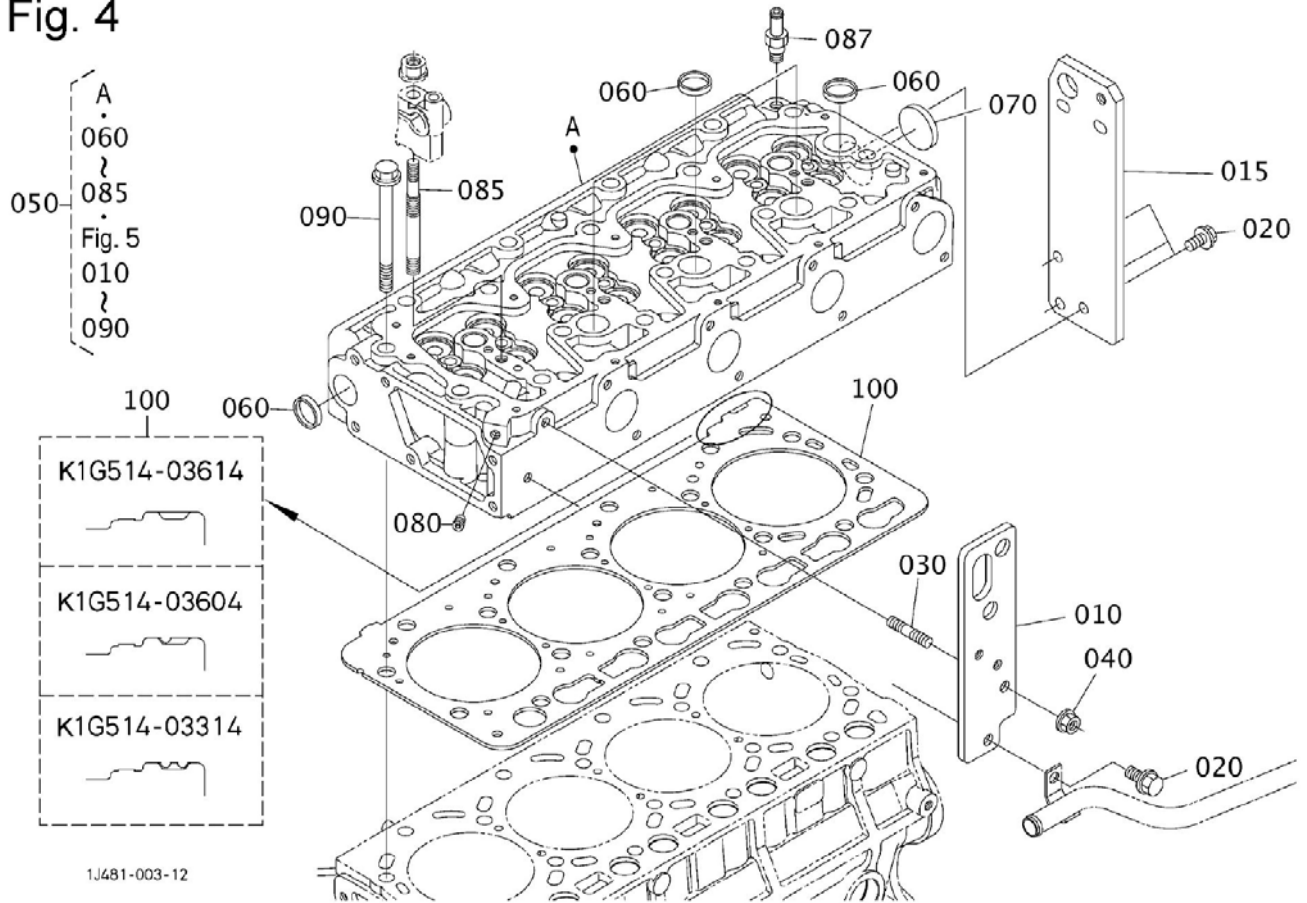
Fig. 3



1J550-030-21

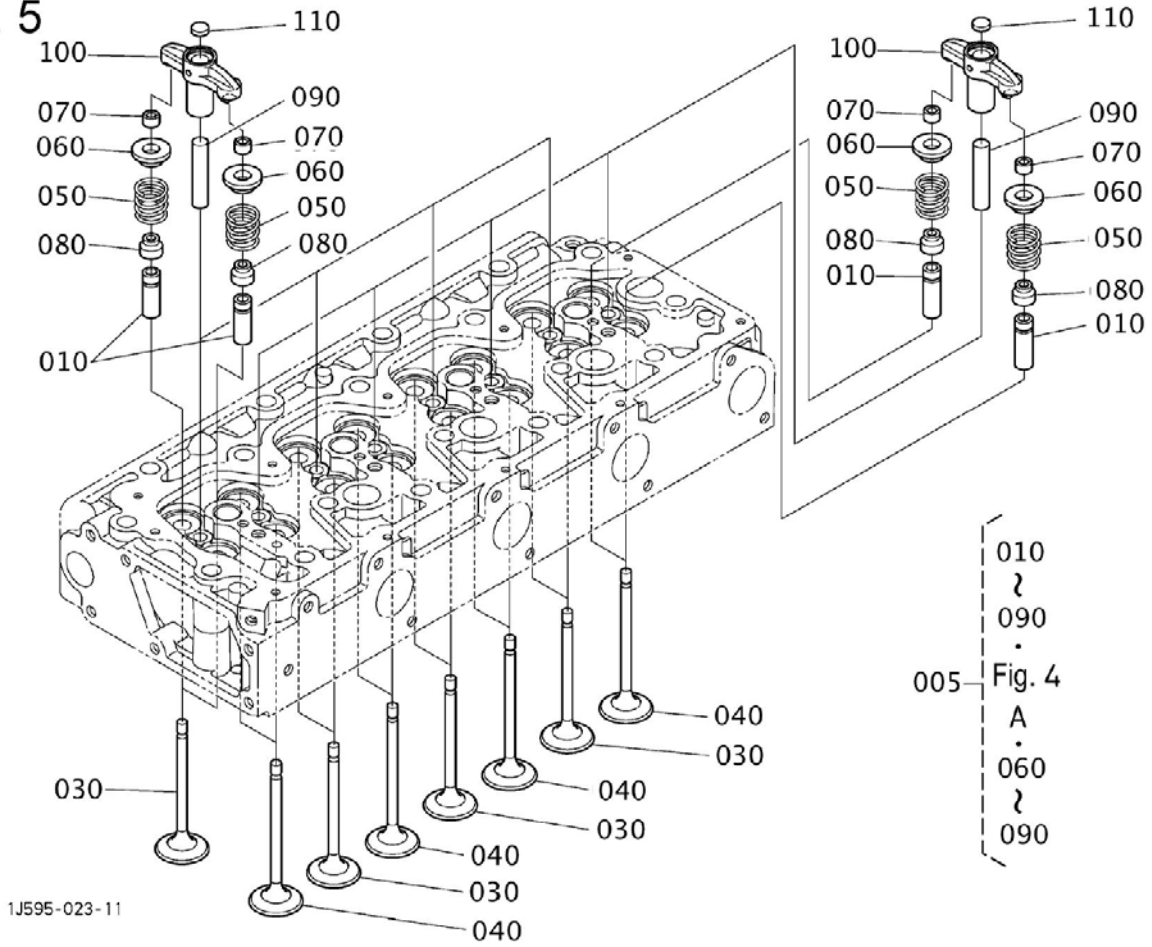
Item	Part No.	Name	Qty	Uom	Remarks	Serial Number
10	K1C010-36422	GUIDE (OIL GAUGE)	1	EA		
20	K1J303-36412	GAUGE,OIL	1	EA		
30	K1J303-36500	GUIDE ASSY	1	EA		
40	K04814-00090	O-RING	1	EA		
50	K1G513-36550	PLUG, oil gauge	1	EA		
60	K01754-50816	BOLT, flange	1	EA		

Fig. 4



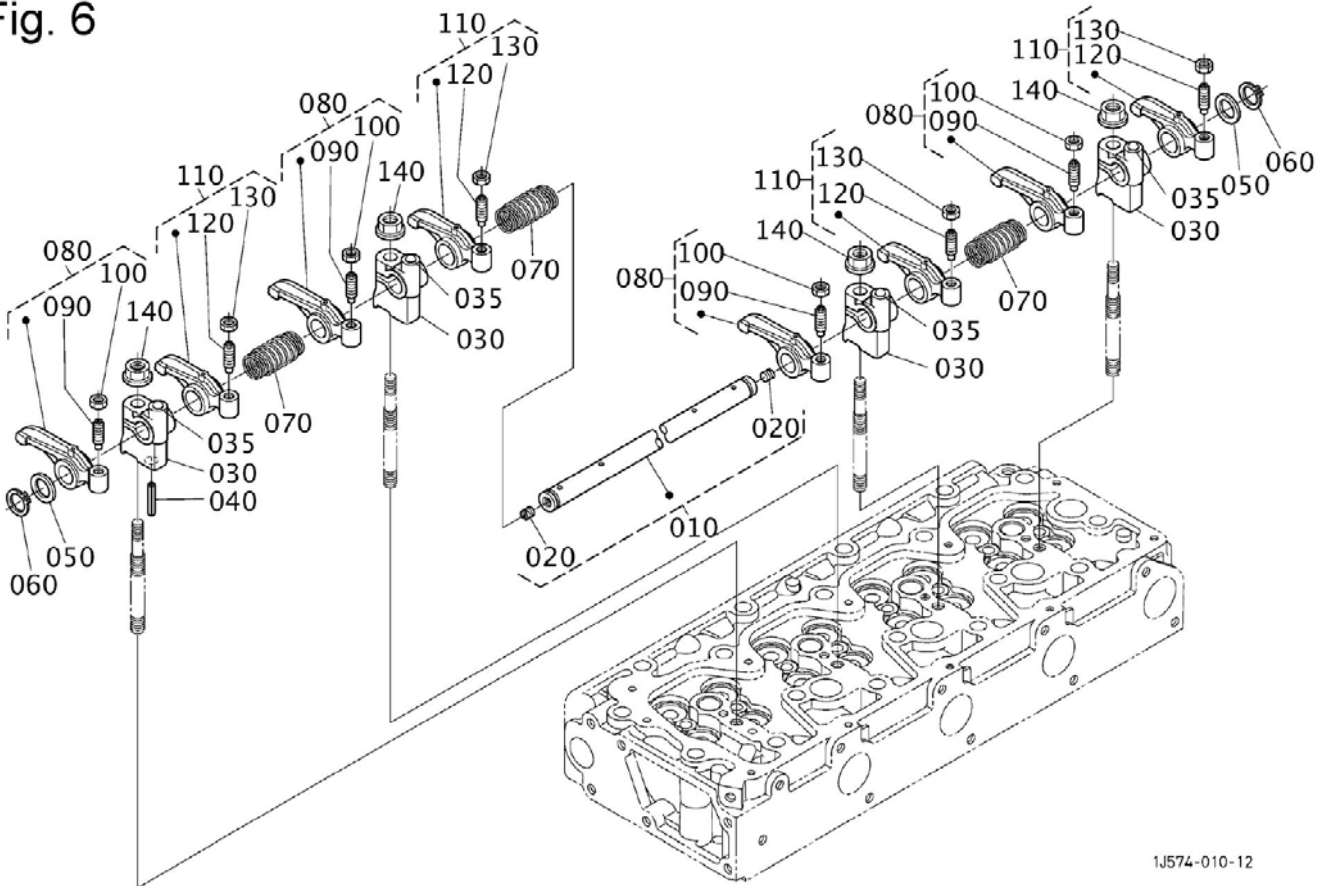
Item	Part No.	Name	Qty	Uom	Remarks	Serial Number
10	K1J508-01740	HOOK, engine	1	EA		
15	K1J509-01750	HOOK, engine	1	EA		
20	K1J500-91020	BOLT, flange	4	EA		
30	K1J542-91632	STUD	1	EA		
40	K02751-50080	NUT, flange	1	EA		
50	K1J574-03026	ASSY CYLINDER HEAD	1	EA		
60	K15221-03370	CAP, sealing	5	EA		
70	K15221-03490	CAP, sealing	1	EA		
80	K15521-96020	PLUG	1	EA		
85	K1J574-03410	STUD	4	EA		
87	K1J500-17610	JOINT,WATER PIPE	1	EA		
90	K1C010-03450	BOLT, CYLINDER HEAD	18	EA		
100	K1G514-03314	GASKET CYL. HEAD	1	EA		
100	K1G514-03604	GASKET,CYLINDER HEAD	1	EA		
100	K1G514-03614	GASKET CYL. HEAD	1	EA		

Fig. 5



Item	Part No.	Name	Qty	Uom	Remarks	Serial Number
5	K1J574-03026	ASSY CYLINDER HEAD	1	EA		
10	K16261-13560	VALVE, guide (EXHAUST)	16	EA		
30	K1C020-13112	VALVE, inlet	8	EA		
40	K1C020-13122	VALVE, exhaust	8	EA		
50	K1C010-13240	SPRING, VALVE	16	EA		
60	K16261-13330	RETAINER	16	EA		
70	K15261-13980	ASSY COLLET	16	EA		
80	K1C010-13150	SEAL, VALVE STEM	16	EA		
90	K1C010-13482	SHAFT	8	EA		
100	K1C020-13463	ARM, valve bridge	8	EA		
110	K1C010-13490	PAD	8	EA		

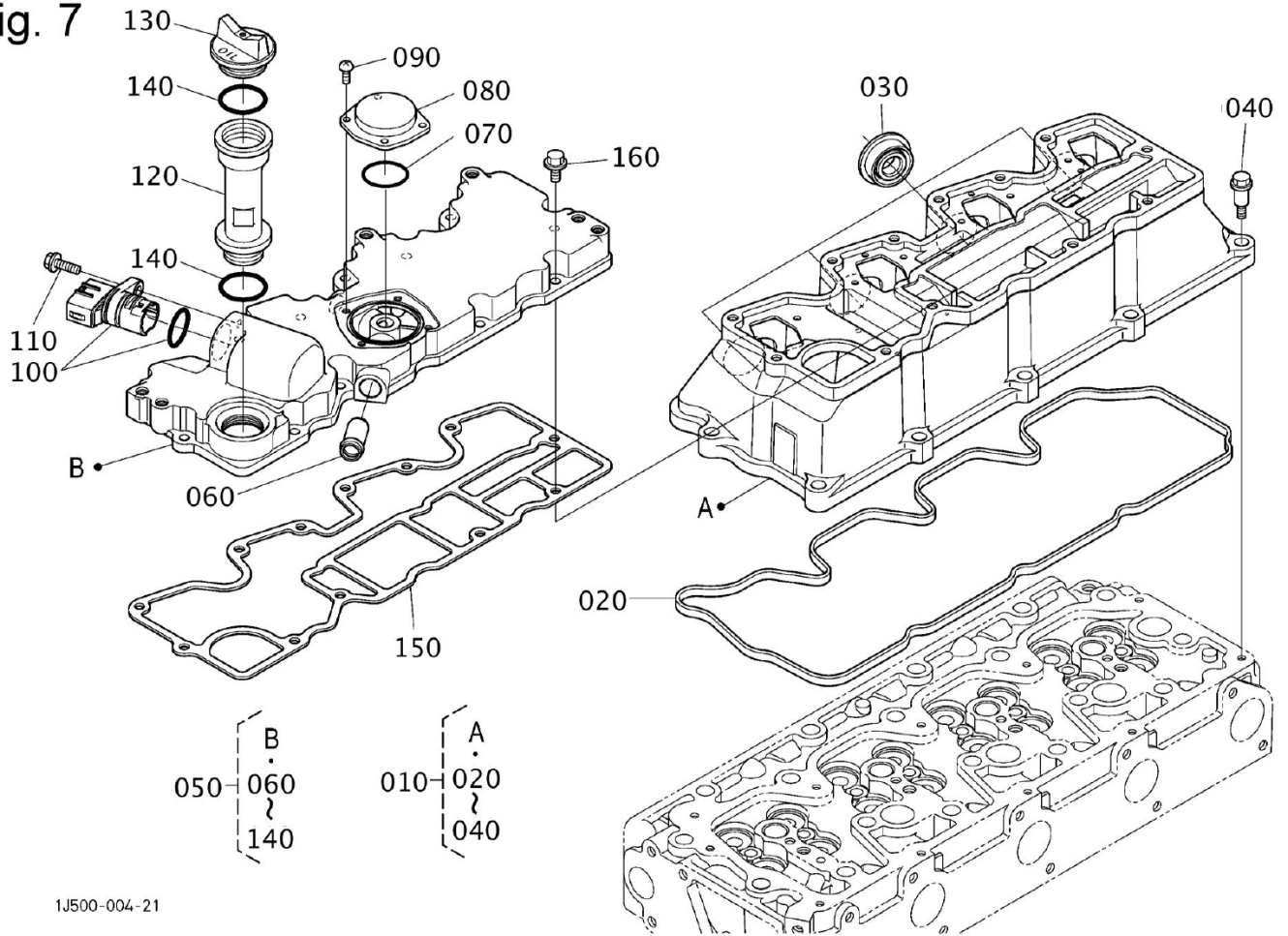
Fig. 6



1J574-010-12

Item	Part No.	Name	Qty	Uom	Remarks	Serial Number
10	K1C020-14050	ASSY SHAFT, ROCKER	1	EA		
20	K03410-50808	SCREW, SET	2	EA		
30	K1J574-14353	BRACKET,ROCKER ARM	4	EA		
35	K07715-01605	BALL	4	EA		
40	K05411-00528	PIN, spring	1	EA		
50	K1C010-14430	WASHER	2	EA		
60	K04612-00160	CIRCLIP (EXTERNAL)	2	EA		
70	K1C020-14310	SPRING	3	EA		
80	K1C020-14023	ASSY ROCKER ARM	4	EA		
90	K1G896-14230	SCREW,ADJUSTING	4	EA		
100	K15021-14240	NUT	4	EA		
110	K1C020-14153	ASSY ROCKER ARM	4	EA		
120	K1G896-14230	SCREW,ADJUSTING	4	EA		
130	K15021-14240	NUT	4	EA		
140	K02771-50100	NUT, flange	4	EA		

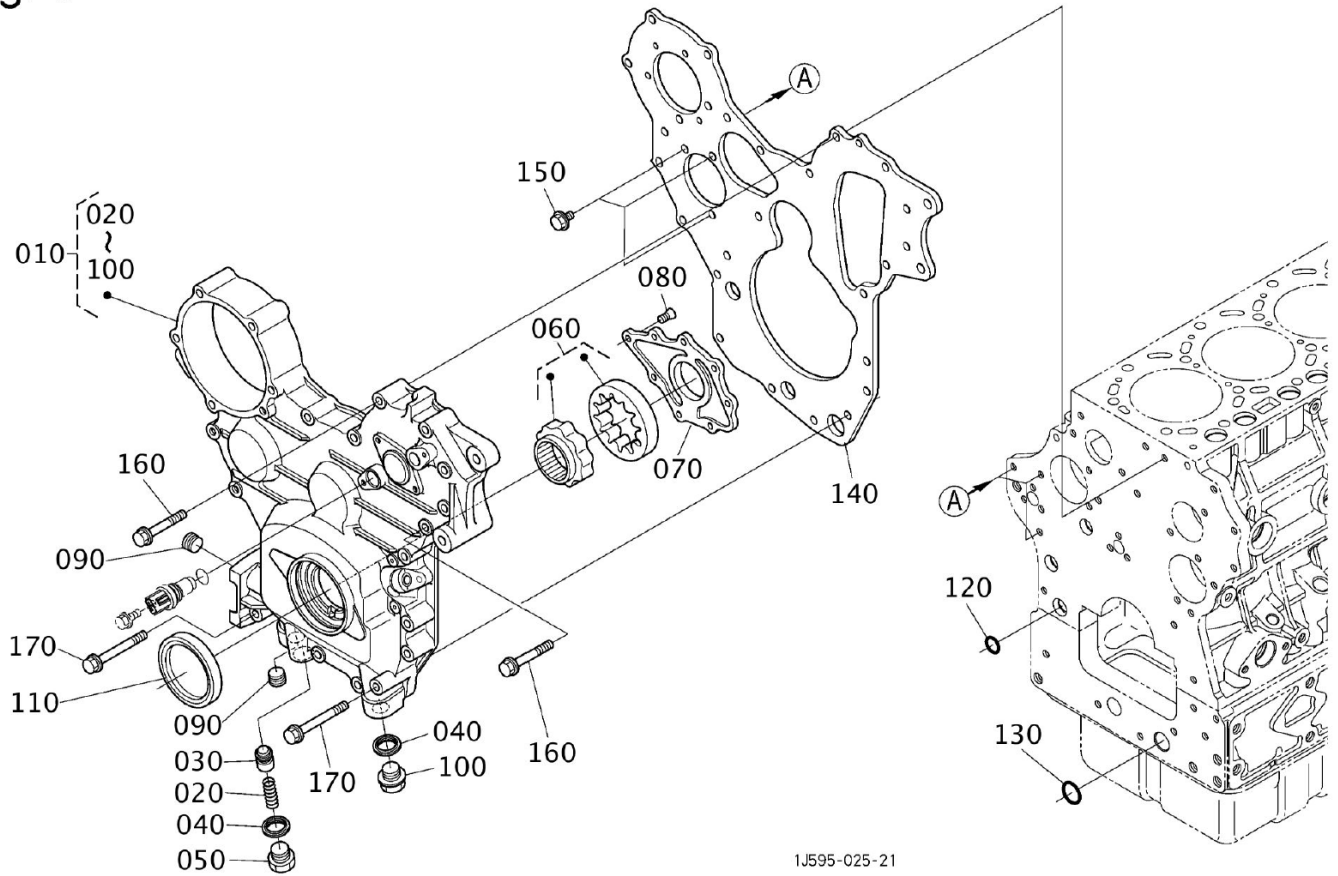
Fig. 7



1J500-004-21

Item	Part No.	Name	Qty	Uom	Remarks	Serial Number
10	K1J500-14503	ASSY COVER CYL HEAD	1	EA		
20	K1C020-14520	GASKET, HEAD COVER	1	EA		
30	K1C020-53810	SEAL (INJECTION PIPE)	4	EA		
40	K1G911-91022	BOLT	10	EA		
50	K1J508-14582	COVER HEAD	1	EA		
60	K16241-05550	JOINT,BREATHER PIPE	1	EA		
70	K1A021-05430	GASKET, BREATHER	1	EA		
80	K1G742-05120	COVER,BREATHER	1	EA		
90	K03054-50508	SCREW, W/WASHER	4	EA		
100	K1J574-65830	ASSY CONNECTOR	1	EA		
110	K01754-50620	BOLT, flange	1	EA		
120	K15951-33113	FLANGE OIL FILLER	1	EA		
130	K1G386-33140	PLUG	1	EA		
140	K04817-50300	O-RING	2	EA		
150	K1J500-14530	GASKET HEAD COVER	1	EA		
160	K01754-50620	BOLT, flange	12	EA		

Fig. 8

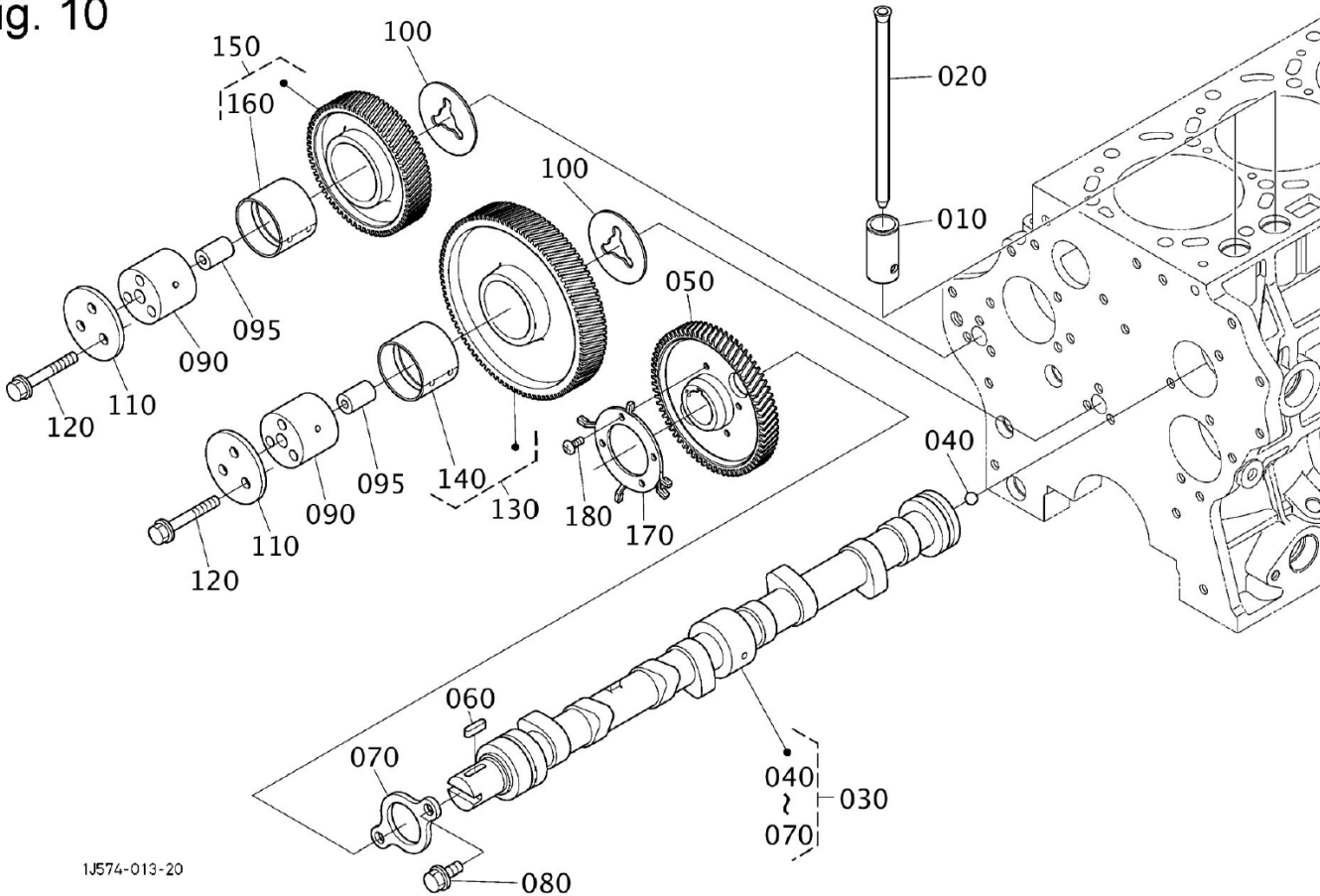


1J595-025-21

Item	Part No.	Name	Qty	Uom	Remarks	Serial Number
10	K1G381-04013	ASSY CASE,GEAR	1	EA		
20	K1C010-36950	SPRING	1	EA		
30	K1C010-36922	VALVE	1	EA		
40	K16265-96670	PACKING	2	EA		
50	K1C010-36960	PLUG	1	EA		
60	K1C010-35070	ASSY ROTOR OIL PUMP	1	EA		
70	K1C010-35130	COVER OIL PUMP	1	EA		
80	K03016-50616	SCREW, FLAT HEAD (PHILLIPS)	8	EA		
90	K1C010-96020	PLUG	2	EA		
100	K16286-33750	PLUG,DRAIN	1	EA		
110	K1C020-04140	SEAL, OIL	1	EA		
120	K04814-00200	O-RING	1	EA		
130	K04814-00240	O-RING	1	EA		
140	K1C011-04164	PLATE GEAR CASE	1	EA		
150	K01754-50816	BOLT, flange	3	EA		
160	K1C010-91030	BOLT, flange	11	EA		
170	K1C010-91040	BOLT, flange	2	EA		

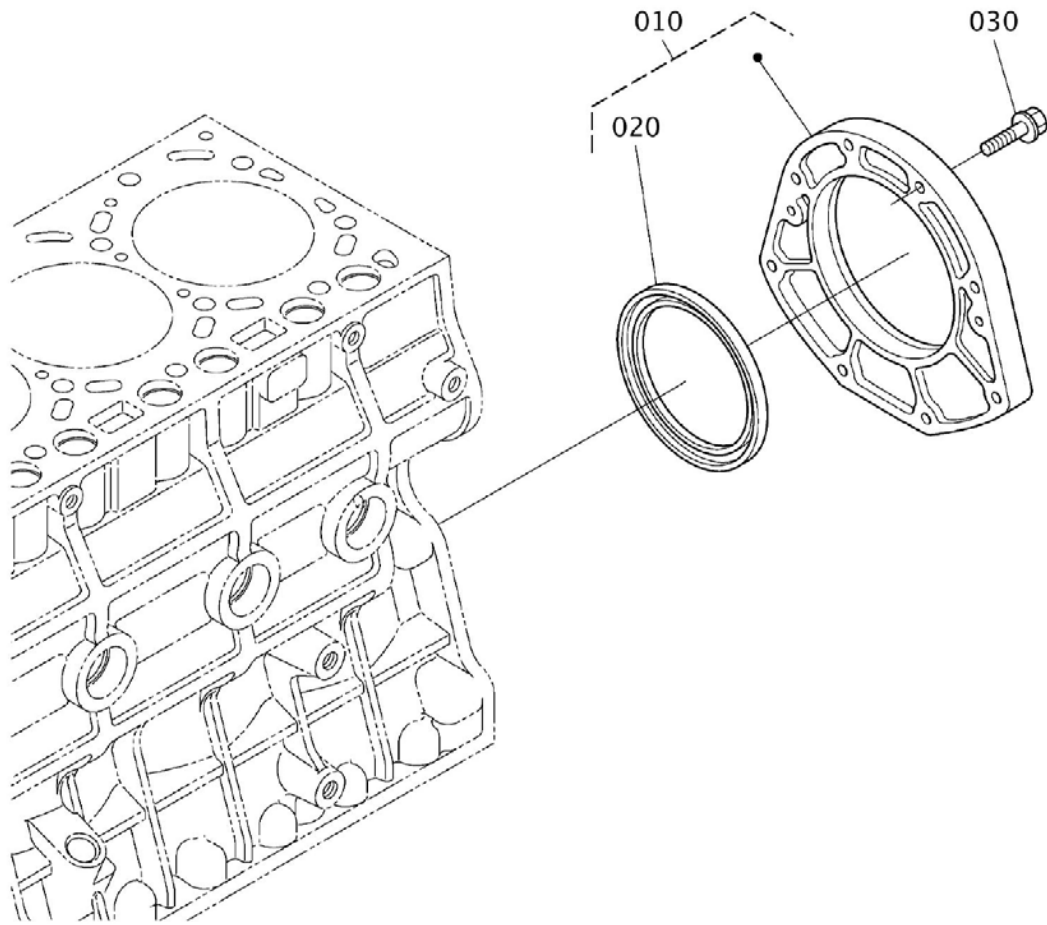
Item	Part No.	Name	Qty	Uom	Remarks	Serial Number
10	K1J508-21110	PISTON	4	EA		
10	K1J508-21910	PISTON	4	EA		
20	K1J508-21050	RING PISTON	4	EA		
20	K1J508-21090	RING PISTON	4	EA		
30	K1J550-21310	PIN PISTON	4	EA		
40	K04611-00300	CIRCLIP (INTERNAL)	4	EA		
45	K04611-00300	CIRCLIP (INTERNAL)	4	EA		
50	K1J574-22014	ASSY ROD,CONNECTING	4	EA		
60	K1J574-21982	BUSH, PISTON PIN	8	EA		
70	K1C010-22142	BOLT,CONNECTING ROD	8	EA		
80	K1C020-22313	METAL, crank pin (CLASS "L" STD/BLUE)	4	EA		
80	K1C020-22334	METAL,CRANK PIN (CLASS "S" STD)	4	EA		
80	K1C020-22963	METAL, crank pin (02-0.2MM/GREEN)	4	EA		
80	K1C020-22973	METAL, crank pin	4	EA		
90	K1G381-23010	COMP.CRANKSHAFT	1	EA		
100	K1C010-23300	SLEEVE	1	EA		
110	K1C057-24100	COMP GEAR,CRANKSHAFT	1	EA		
120	K05712-00515	KEY, feather	1	EA		
130	K1G381-35630	GEAR,OIL PUMP DRIVE	1	EA		
150	K1C020-23472	METAL,CRANKSHAFT STD/SET	5	EA		
150	K1C020-23912	METAL,CRANKSHAFT - 0.2mm/SET		EA		
150	K1C020-23922	METAL,CRANKSHAFT - 0.4mm/SET		EA		
160	K1C010-23532	METAL,SIDE STD	2	EA		
160	K1C010-23952	METAL,SIDE +0.2mm	2	EA		
160	K1C010-23962	METAL,SIDE +0.4mm	2	EA		
170	K1C010-23542	METAL,SIDE STD	2	EA		
170	K1C010-23972	METAL,SIDE +0.2mm	2	EA		
170	K1C010-23982	METAL,SIDE +0.4mm	2	EA		

Fig. 10



Item	Part No.	Name	Qty	Uom	Remarks	Serial Number
10	K15601-15553	TAPPET	8	EA		
20	K1C010-15110	ROD, PUSH	8	EA		
30	K1J574-16014	ASSY CAMSHAFT	1	EA		
40	K07715-01605	BALL	1	EA		
50	K1J574-16512	GEAR,CAM	1	EA		
60	K05712-00520	KEY, feather	1	EA		
70	K1C010-16270	STOPPER	1	EA		
80	K01754-50816	BOLT, flange	2	EA		
90	K1C010-24250	SHAFT(IDLE GEAR)	2	EA		
95	K1C010-24520	SHAFT,IDLE GEAR	2	EA		
100	K1C010-24360	COLLAR(IDLE GEAR)	2	EA		
110	K1C010-24370	COLLAR(IDLE GEAR)	2	EA		
120	K01754-50855	BOLT, flange	6	EA		
130	K1C010-24017	COMP.GEAR,IDLE	1	EA		
140	K1C010-24983	BUSH,IDLE GEAR	1	EA		
150	K1C010-24027	GEAR COMP IDLE	1	EA		
160	K1C010-24983	BUSH,IDLE GEAR	1	EA		
170	K1J574-16913	GEAR,G-PULSER	1	EA		
180	K03057-50508	SCREW,CR-REC.(SET AT 10)	4	EA		

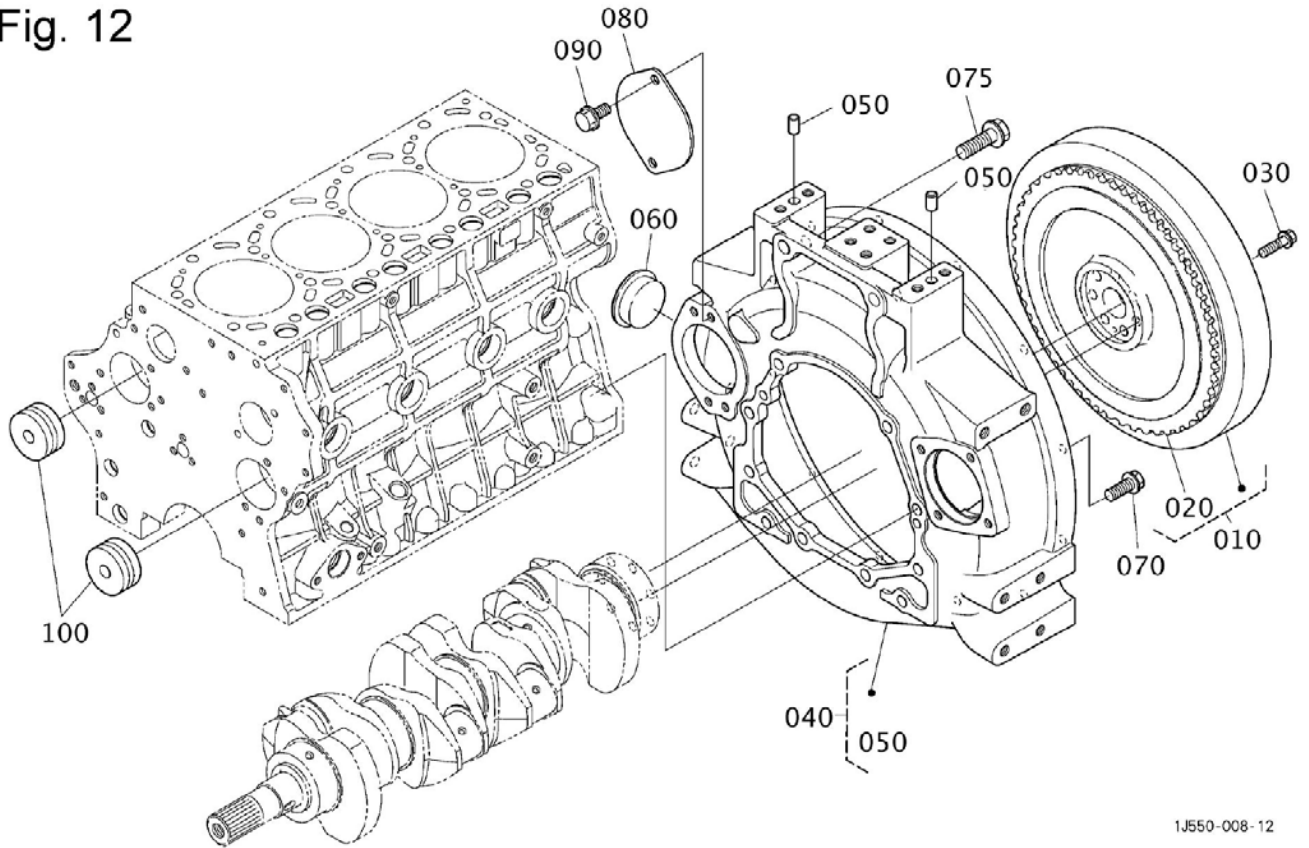
Fig. 11



1C010-007-22

Item	Part No.	Name	Qty	Uom	Remarks	Serial Number
10	K1C025-04300	ASSY COVER,BRG.CASE	1	EA		
20	K1C025-04460	SEAL,OIL	1	EA		
30	K01754-50830	BOLT, flange	8	EA		

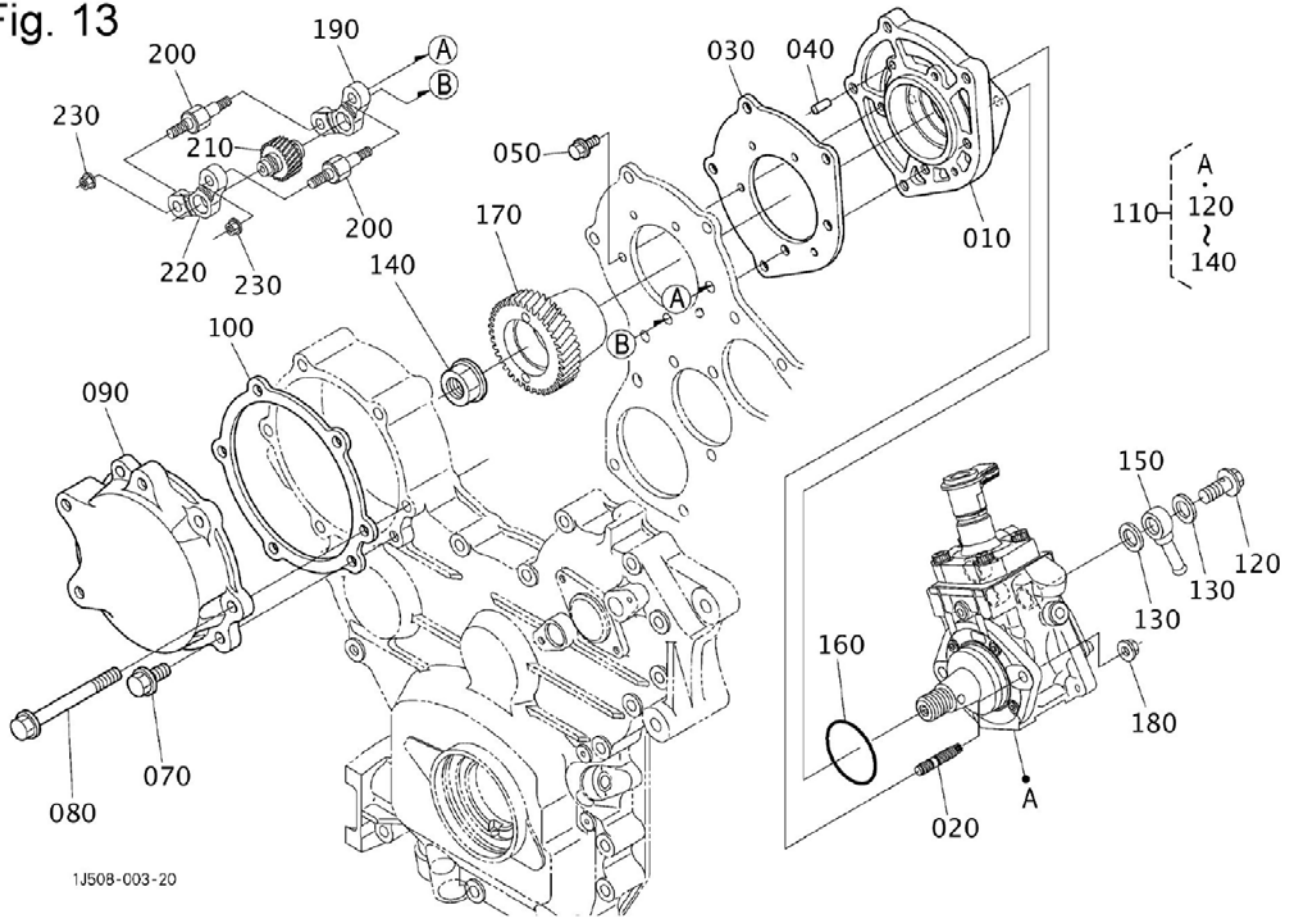
Fig. 12



1J550-008-12

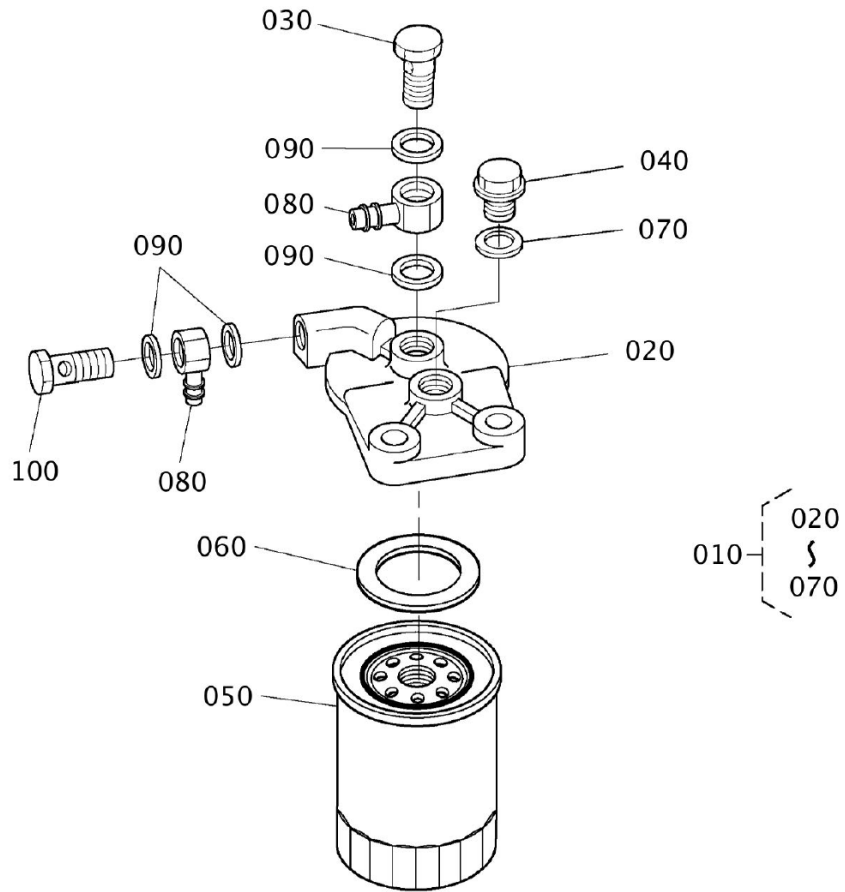
Item	Part No.	Name	Qty	Uom	Remarks	Serial Number
10	K1G371-25019	COMP FLYWHEEL	1	EA		
20	K1G772-63823	GEAR, RING	1	EA		
30	K15471-25162	BOLT FLYWHEEL	7	EA		
40	K1J303-04602	HOUSING FW ASSY	1	EA		
50	K05012-01016	PIN, straight	2	EA		
60	K1C010-04680	COVER	1	EA		
70	K1G772-91032	BOLT, flange	10	EA		
75	K01779-51445	BOLT UBS	2	EA		
80	K1C010-04450	COVER W/ FLYWHEEL HO	1	EA		
90	K01774-51020	BOLT, flange	2	EA		
100	K1C020-26340	COVER, balancer	2	EA		

Fig. 13



Item	Part No.	Name	Qty	Uom	Remarks	Serial Number
10	K1J508-51170	BASE PUMP	1	EA		
20	K1C020-91490	STUD	2	EA		
30	K1J508-51180	GASKET BASE	1	EA		
40	K05012-00614	PIN, straight	1	EA		
50	K01754-50616	BOLT, flange	2	EA		
70	K01754-50825	BOLT, flange	1	EA		
80	K01754-50875	BOLT, flange	5	EA		
90	K1C020-51650	COVER INJ PUMP	1	EA		
100	K1C010-51663	GASKET, IP COVER	1	EA		
110	K1J508-50500	PUMP ASSY	1	EA		
120	K1J508-51320	BOLT CONNECTING	1	EA		
130	K1J574-96660	GASKET	2	EA		
140	K1J508-92920	NUT, flange	1	EA		
150	K15451-95680	JOINT,EYE	1	EA		
160	K1J574-52130	GASKET,PUMP	1	EA		
170	K1J508-51150	GEAR PUMP	1	EA		
180	K02751-50080	NUT, flange	2	EA		
190	K1J508-24650	HOLDER	1	EA		
200	K1J508-24690	BOLT	2	EA		
210	K1J508-24610	GEAR 3 IDLE	1	EA		
220	K1J508-24650	HOLDER	1	EA		
230	K02751-50080	NUT, flange	2	EA		

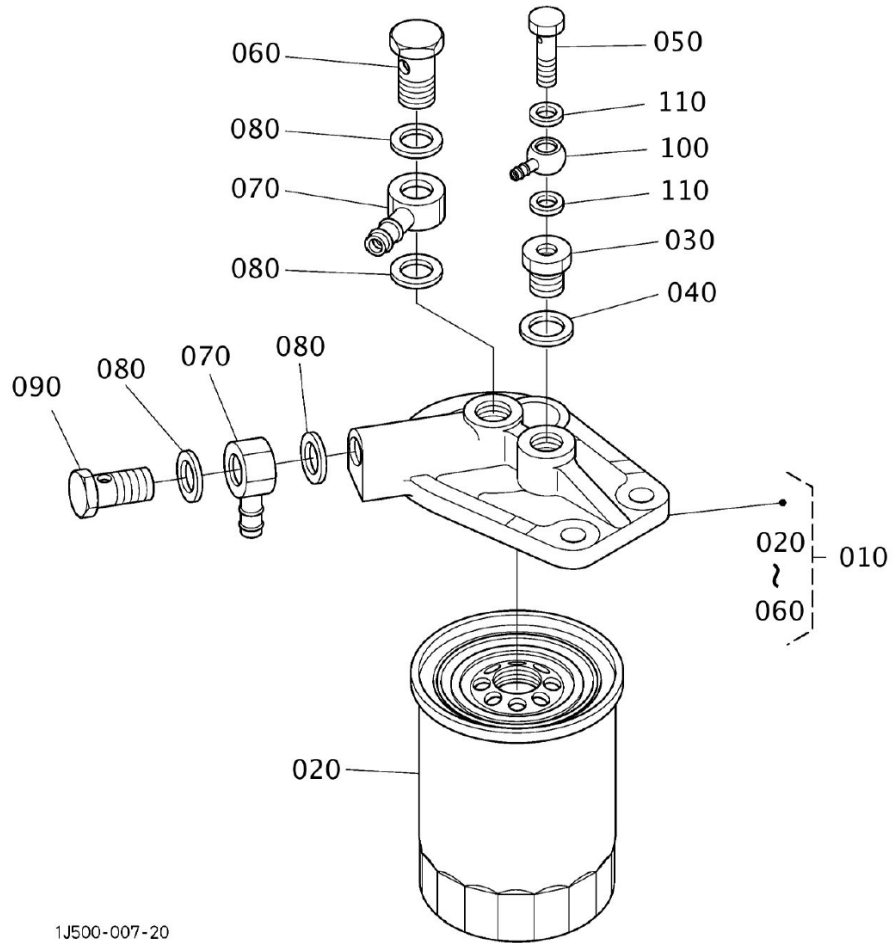
Fig. 14



1G882-012-30

Item	Part No.	Name	Qty	Uom	Remarks	Serial Number
10	K1G518-43011	FILTER ASSY, fuel	1	EA		
20	K16541-43210	COVER D3502	1	EA		
30	K16541-95790	BOLT, joint	1	EA		
40	K19077-43280	PLUG	1	EA		
50	K16631-43560	ELEMENT, fuel filter	1	EA		
60	K16541-43330	GASKET	1	EA		
70	K17105-33680	GASKET (VO ZB)	1	EA		
80	K15401-95690	JOINT, fuel	2	EA		
90	K17105-33680	GASKET (VO ZB)	4	EA		
100	K16541-95790	BOLT, joint	1	EA		

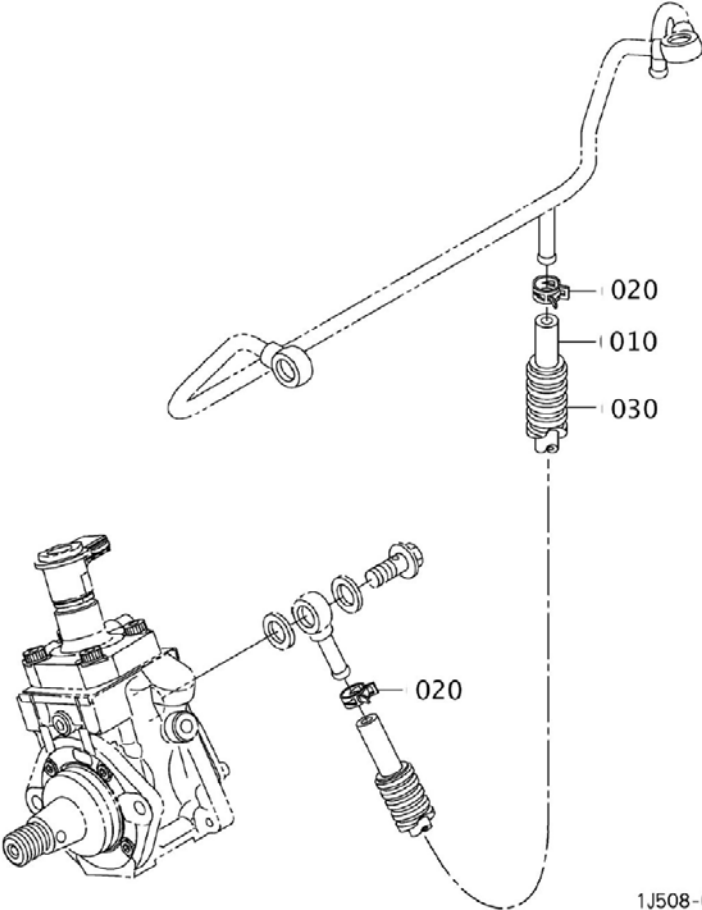
Fig. 15



1J500-007-20

Item	Part No.	Name	Qty	Uom	Remarks	Serial Number
10	K1J301-43010	ELEMENT, FUEL FILTER	1	EA		
20	K1J301-43170	FILTER, fuel (FOR AFTERMARKET SEE #AFK1J301-43170)	1	EA		
30	K1J301-95800	CONNECTOR	1	EA		
40	K1J301-33680	PACKING	1	EA		
50	K1J301-95810	CONNECTOR	1	EA		
60	K1K947-95790	BOLT, joint	1	EA		
70	K15401-95690	JOINT, fuel	2	EA		
80	K17105-33680	GASKET (VO ZB)	4	EA		
90	K16541-95790	BOLT, joint	1	EA		
100	K14117-42560	PIPE, fuel	1	EA		
110	K15021-33660	GASKET	2	EA		

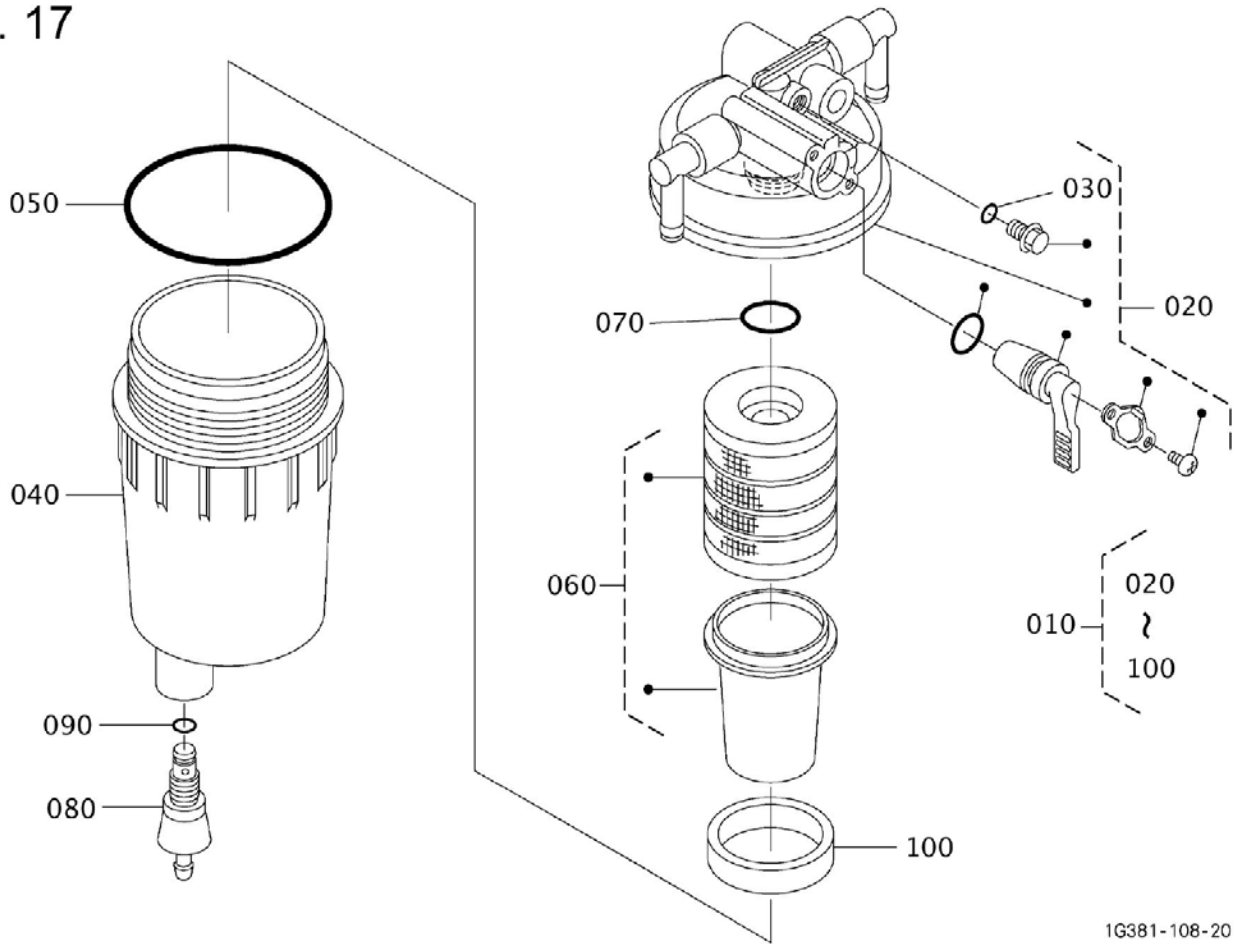
Fig. 16



1J508-004-10

Item	Part No.	Name	Qty	Uom	Remarks	Serial Number
10	K1J508-42110	TUBE, fuel	1	EA		
20	K14911-42750	CLIP,PIPE	2	EA		
30	K1J508-42210	TUBE	1	EA		

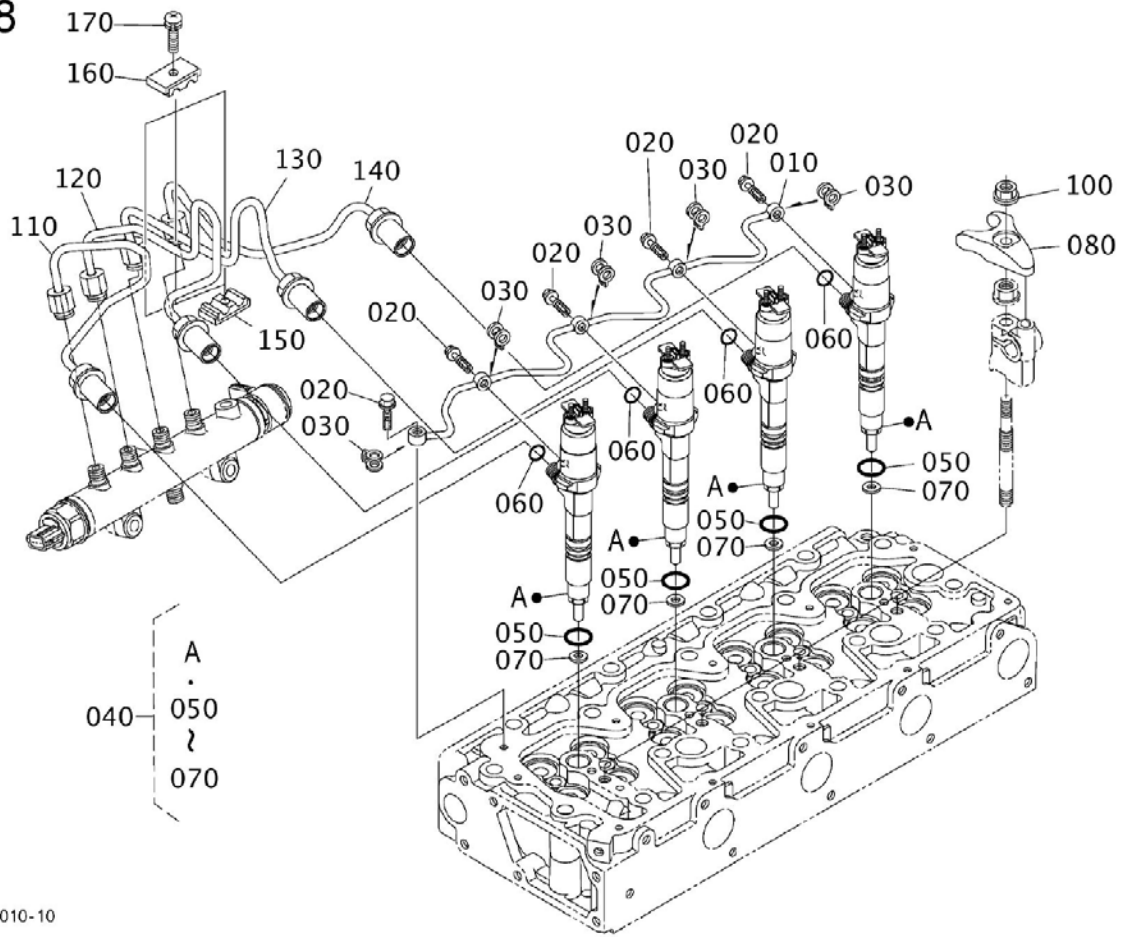
Fig. 17



1G381-108-20

Item	Part No.	Name	Qty	Uom	Remarks	Serial Number
10	KRD451-51360	FILTER,ASSY(W,SEPARATOR)	1	EA		
20	KRD451-51910	ASSY BODY	1	EA		
30	K04817-00060	O-RING	1	EA		
40	KRD451-51920	CUP	1	EA		
50	KRD451-51930	O-RING	1	EA		
60	KRD451-51940	ELEMENT, SEDIMENT STRAINER	1	EA		
70	K04817-00160	O-RING	1	EA		
80	KRD451-51950	PLUG,DRAIN	1	EA		
90	K04817-00070	O-RING	1	EA		
100	KRD451-51960	FLOAT	1	EA		

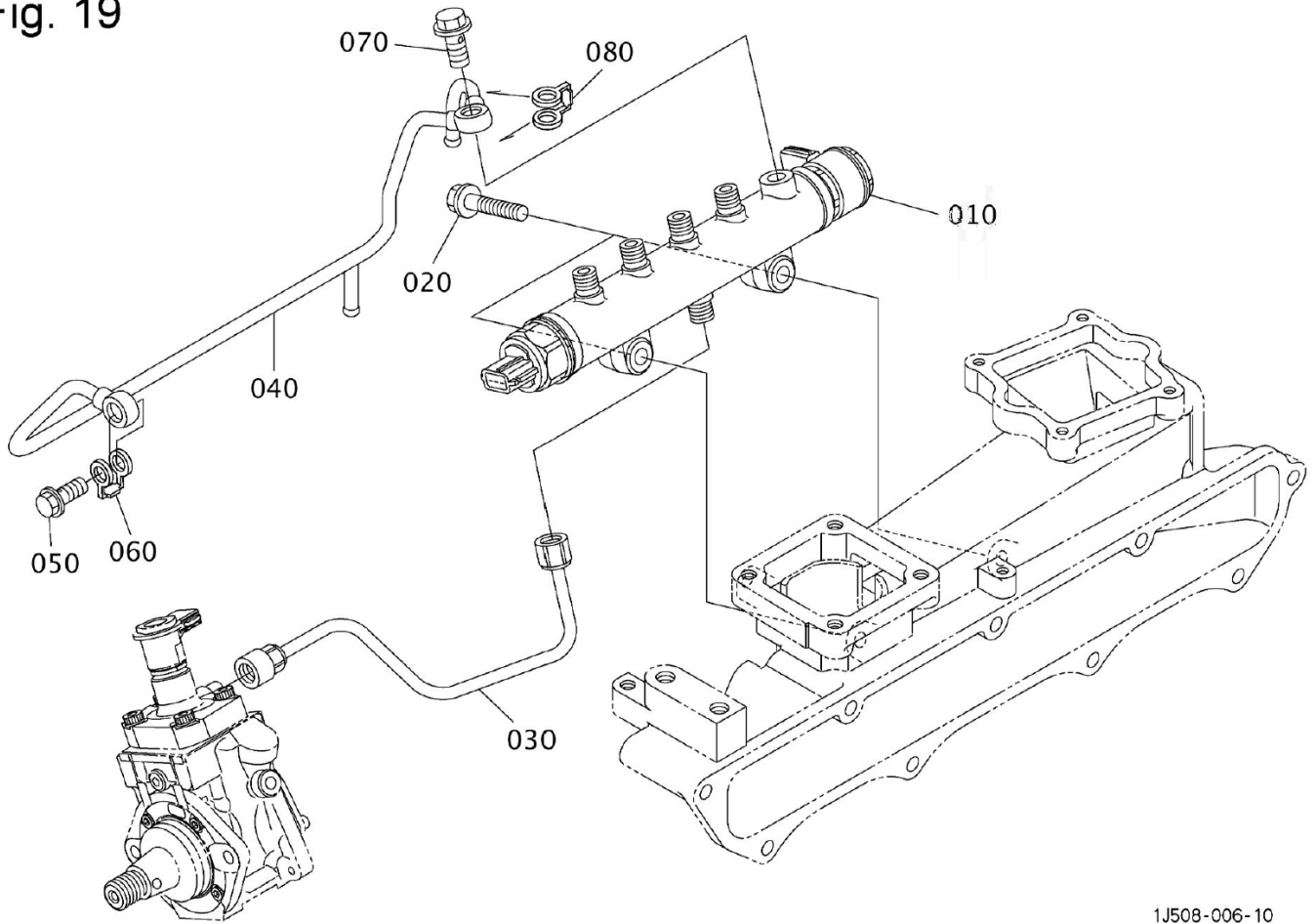
Fig. 18



1J481-010-10

Item	Part No.	Name	Qty	Uom	Remarks	Serial Number
10	K1J574-42500	ASSY PIPE,OVER FLOW	1	EA		
20	K1C020-95810	BOLT	5	EA		
30	K1J550-96730	GASKET	5	EA		
40	K1J508-53070	INJECTOR KIT	4	EA		
50	K04814-00160	O-RING	4	EA		
60	K04814-05120	O-RING	4	EA		
70	K1G796-53620	GASKET	4	EA		
80	K1J574-53150	CLAMP	4	EA		
100	K02751-50080	NUT, flange	4	EA		
110	K1J508-53710	PIPE	1	EA		
120	K1J508-53720	PIPE	1	EA		
130	K1J508-53730	PIPE	1	EA		
140	K1J508-53740	PIPE	1	EA		
150	K15841-53850	CLAMP,PIPE	3	EA		
160	K15841-53860	CLAMP,PIPE	3	EA		
170	K03024-50520	SCREW, sems (PAN HEAD)	3	EA		

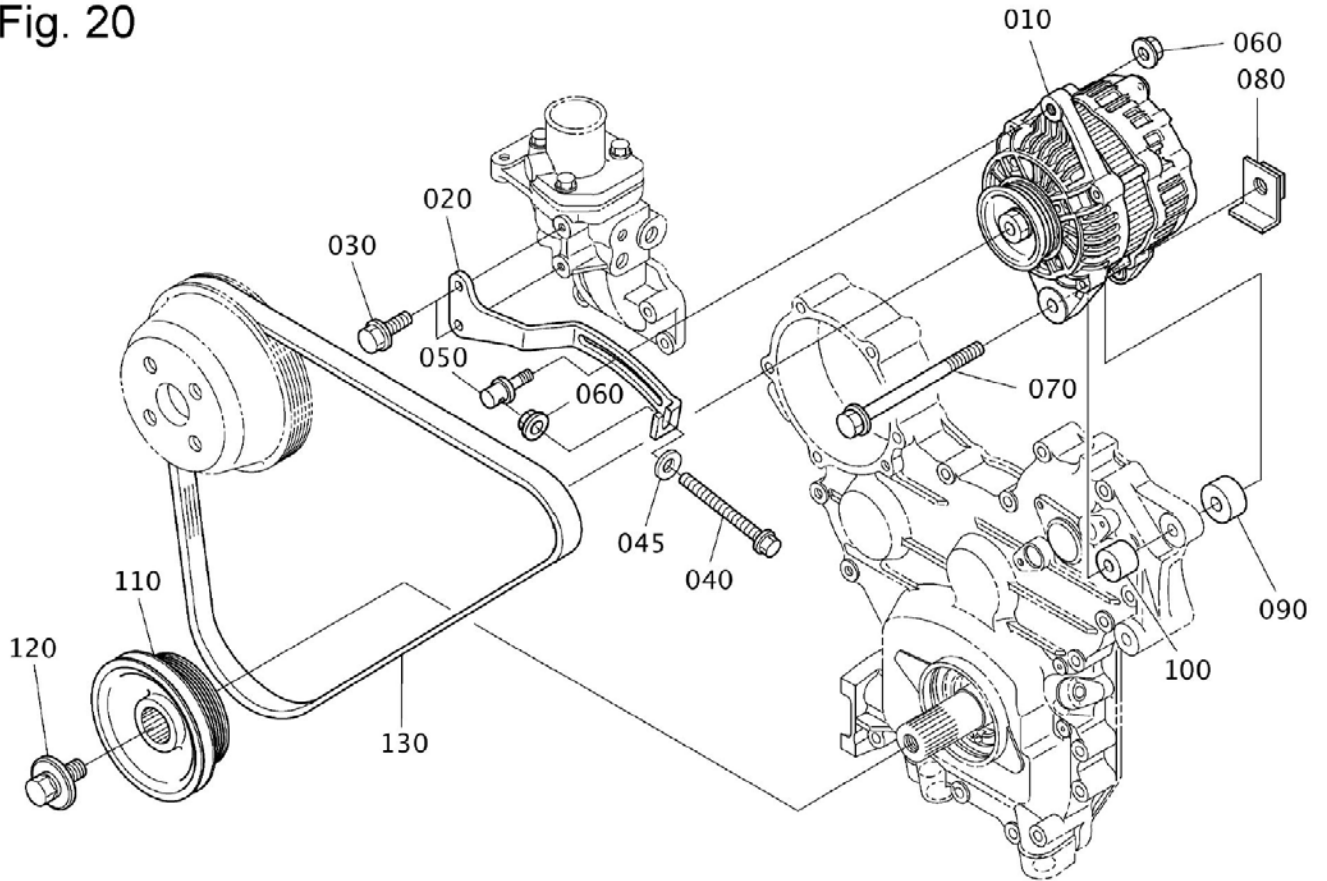
Fig. 19



1J508-006-10

Item	Part No.	Name	Qty	Uom	Remarks	Serial Number
10	K1J508-50600	RAIL ASSY	1	EA		
20	K01754-50830	BOLT, flange	2	EA		
30	K1J508-53750	PIPE, injection (A)	1	EA		
40	K1J508-42850	PIPE COMP	1	EA		
50	K1J860-95790	BOLT, EYE JOINT	1	EA		
60	K1G557-96650	GASKET	1	EA		
70	K1J508-95780	BOLT CONN	1	EA		
80	K1J510-96650	GASKET	1	EA		

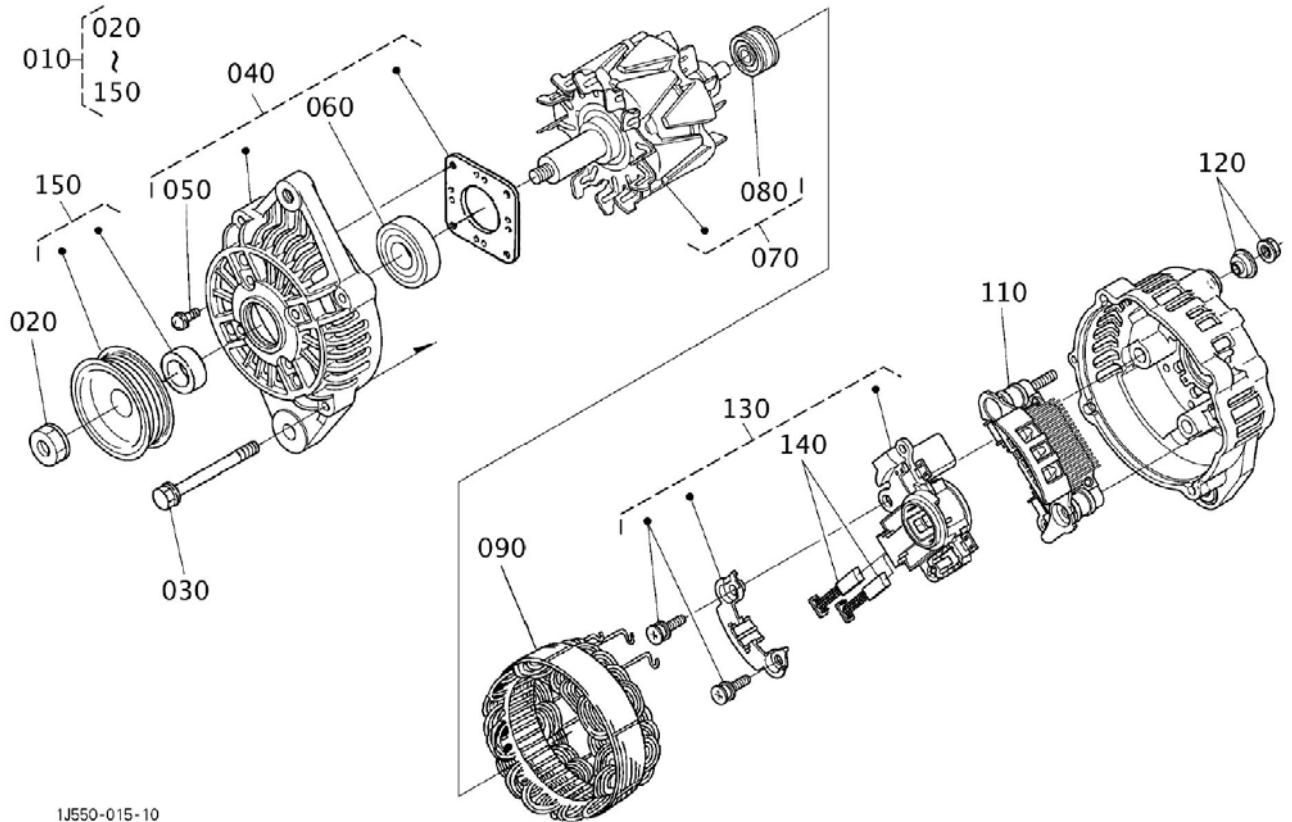
Fig. 20



1G381-102-20

Item	Part No.	Name	Qty	Uom	Remarks	Serial Number
10	K1G377-64012	ALTERNATOR ASSY 12V 80A	1	EA		
20	K1G377-64422	STAY DYNAMO	1	EA		
30	K01754-50825	BOLT, flange	2	EA		
40	K6A671-75342	BOLT, flange (8MxL.100)	1	EA		
45	K04015-60080	WASHER, plain	1	EA		
50	K1G377-64412	SHAFT	1	EA		
60	K02751-50080	NUT, flange	2	EA		
70	K01774-51002	BOLT, flange	1	EA		
80	K17490-64472	METAL FITTING DYNAMO	1	EA		
90	K16881-64370	COLLAR	1	EA		
100	K1G377-64370	COLLAR DYNAMO	1	EA		
110	K1J301-74280	PULLEY,FAN DRIVE	1	EA		
120	K1G774-91010	BOLT	1	EA		
130	K1G377-97010	BELT, fan	1	EA		

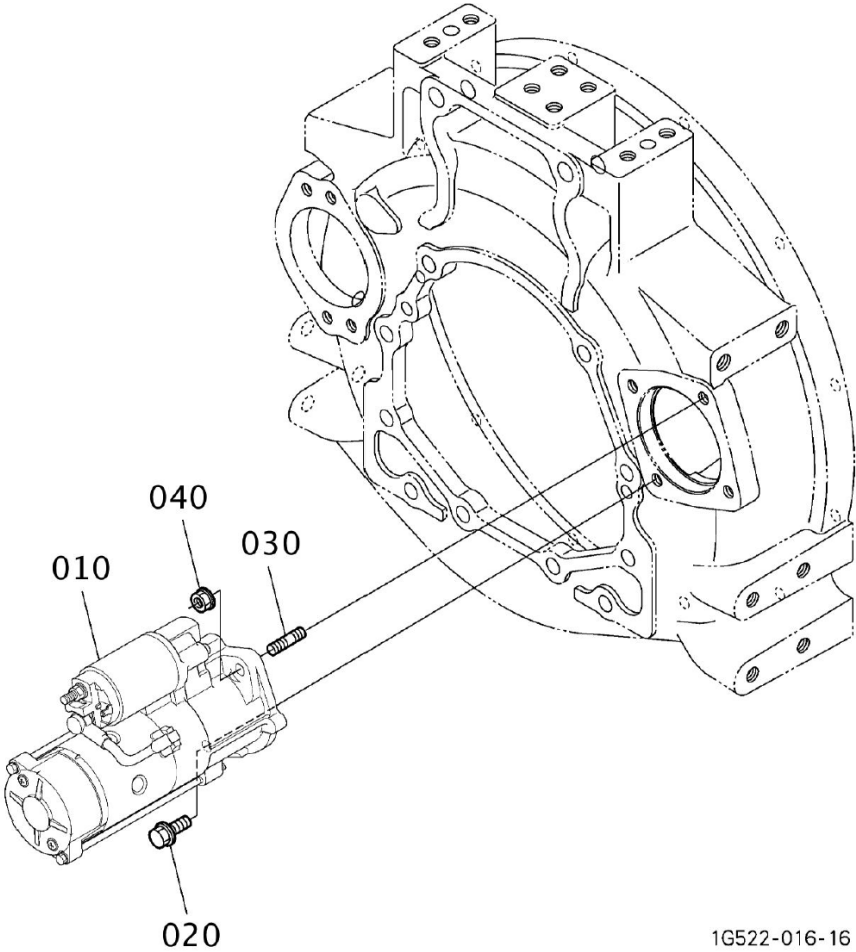
Fig. 21



1J550-015-10

Item	Part No.	Name	Qty	Uom	Remarks	Serial Number
10	K1G377-64012	ALTERNATOR ASSY 12V 80A	1	EA		
20	K1C010-92010	NUT	1	EA		
30	K1C010-91050	SET BOLT	1	EA		
40	K1G377-64020	ASSY BRACKET,FRONT	1	EA		
50	K1C010-93010	SET, BOLT	1	EA		
60	K3F261-78120	BEARING	1	EA		
70	K3F261-78130	ASSY_ROTOR	1	EA		
80	K1C010-64770	BEARING	1	EA		
90	K1G377-64080	ASSY STATOR	1	EA		
110	K1G377-64850	ASSY RECTIFIER	1	EA		
120	K1K011-92030	SET, NUT	1	EA		
130	K1G377-64602	SET,REGULATOR	1	EA		
140	K1C010-64310	SET BRUSH	1	EA		
150	K1G377-64110	ASSY PULLEY	1	EA		

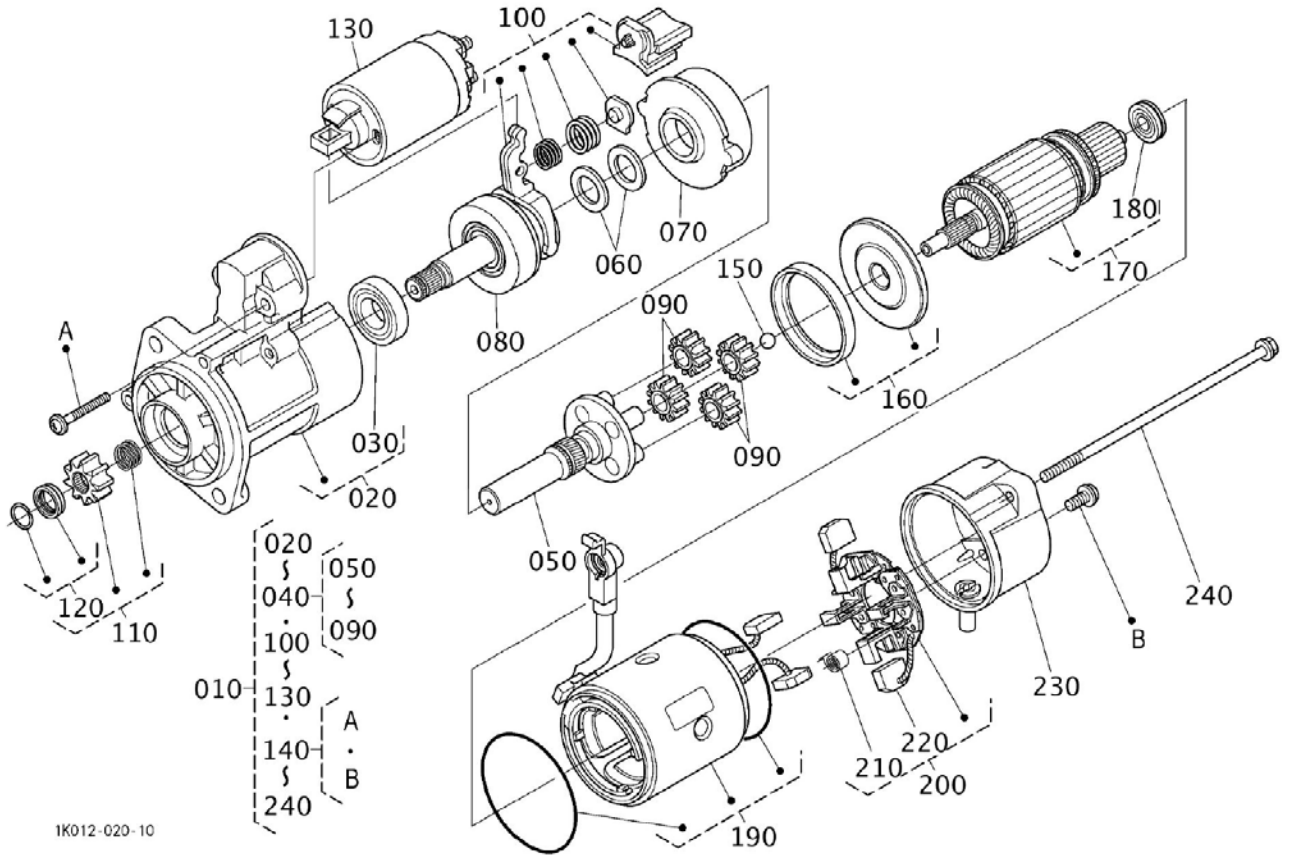
Fig. 22



1G522-016-16

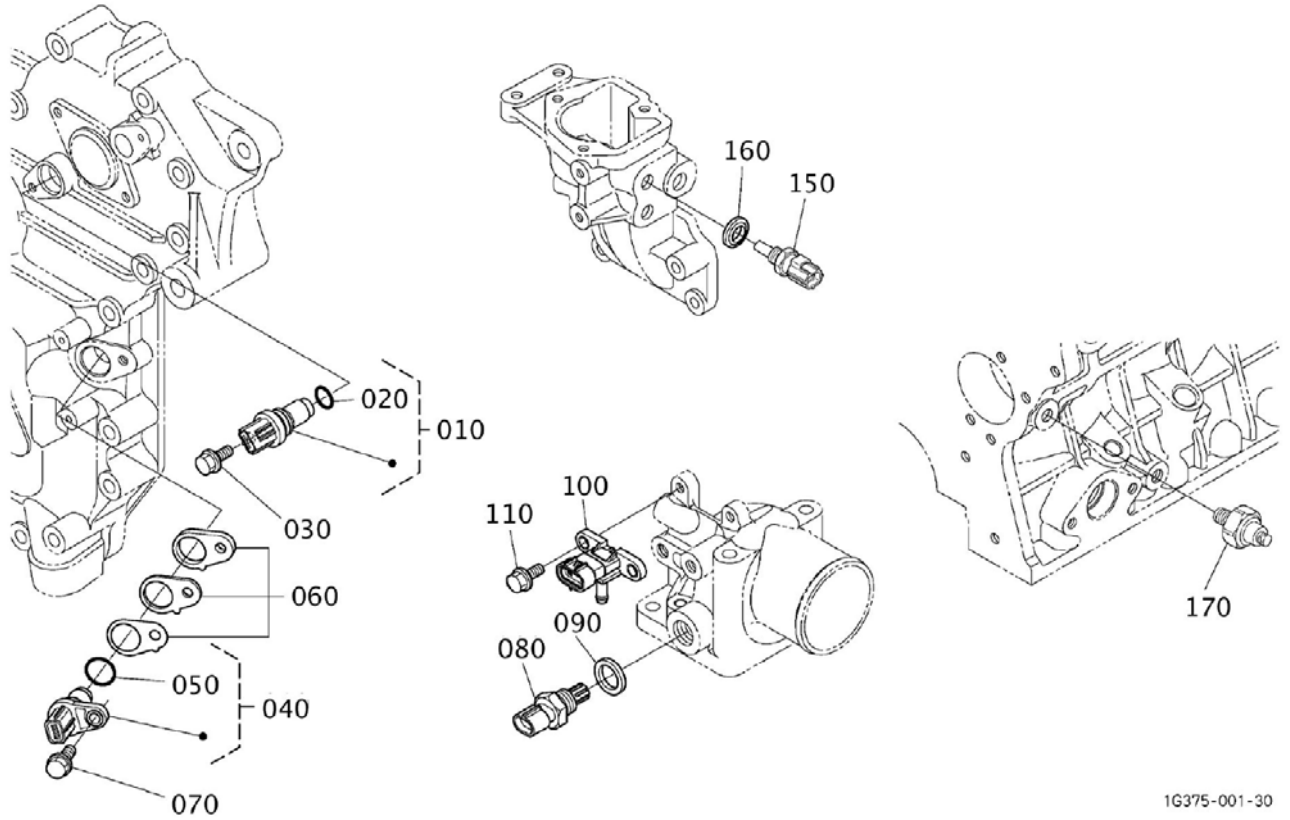
Item	Part No.	Name	Qty	Uom	Remarks	Serial Number
10	K1J301-63010	STARTER ASSY	1	EA		
20	K01774-51035	BOLT, flange	1	EA		
30	K01517-51030	BOLT, STUD	1	EA		
40	K02771-50100	NUT, flange	1	EA		

Fig. 23



Item	Part No.	Name	Qty	Uom	Remarks	Serial Number
10	K1J301-63010	STARTER ASSY	1	EA		
20	K1K012-63030	ASSY BRACKET, front	1	EA		
30	K1C010-63240	SET BEARING	1	EA		
40	K1K012-63040	ASSY SHAFT, CLUTCH	1	EA		
50	K1K012-63210	ASSY SHAFT, GEAR	1	EA		
60	K1C010-63410	SET WASHER	1	EA		
70	K1C010-63260	SET,INTERNAL GEAR	1	EA		
80	K1C010-63330	CLUTCH, OVER RUNNING	1	EA		
90	K1C010-63270	ASSY GEAR	4	EA		
100	K1K012-63050	ASSY LEVER, SET	1	EA		
110	K1K012-63280	SET PINION	1	EA		
120	K1C010-63170	SET STOPPER	1	EA		
130	K1J301-63020	SWITCH MAGNETIC	1	EA		
140	K1K012-63760	SET-SCREW	1	EA		
150	K6C040-82690	BALL	1	EA		
160	K1C010-63520	SET PACKING	1	EA		
170	K1K012-63070	ASSY ARMATURE	1	EA		
180	K1C010-63250	BEARING	1	EA		
190	K1J301-63080	YOKE ASSY	1	EA		
200	K1K012-63380	ASSY HOLDER, BRUSH	1	EA		
210	K1K012-63390	BRUSH SPRING	4	EA		
220	K1K012-63370	BRUSH	2	EA		
230	K1K012-63200	ASSY BRACKET, rear	1	EA		
240	K1K012-63320	SET, BOLT	1	EA		

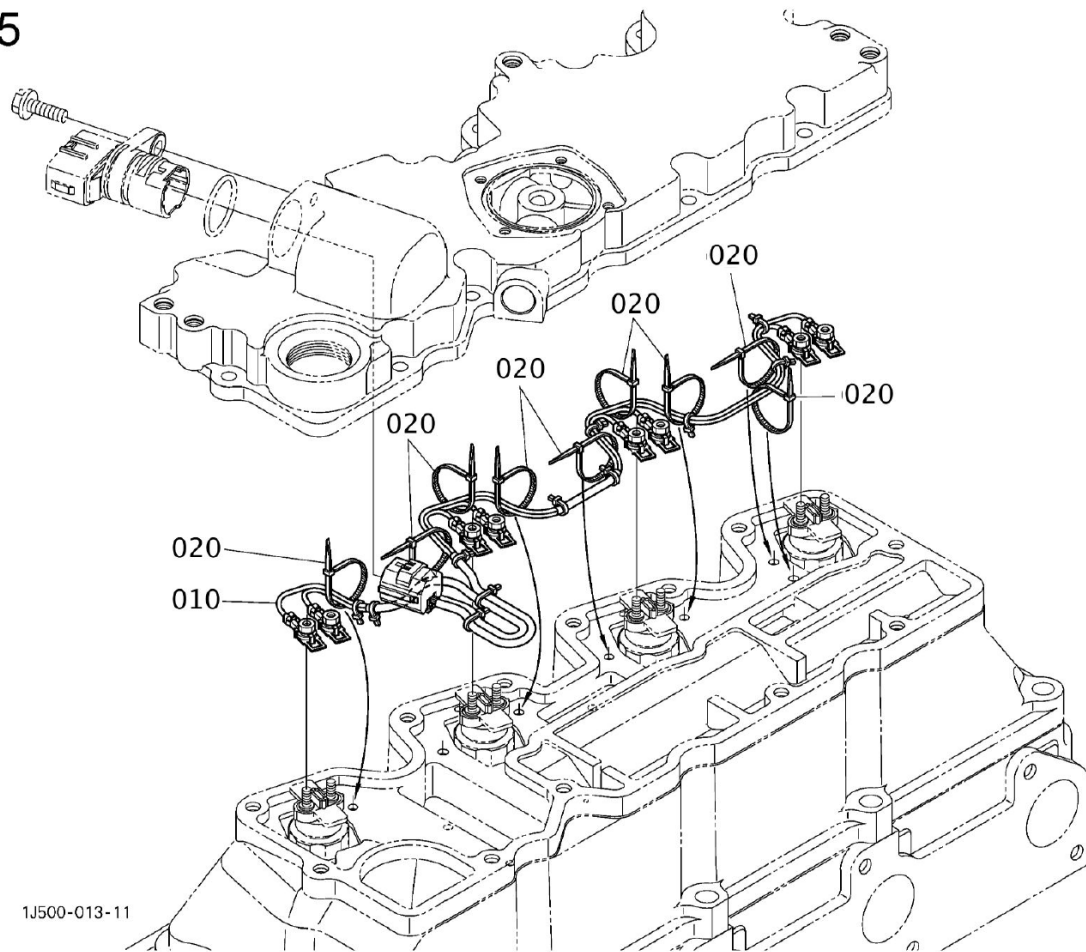
Fig. 24



1G375-001-30

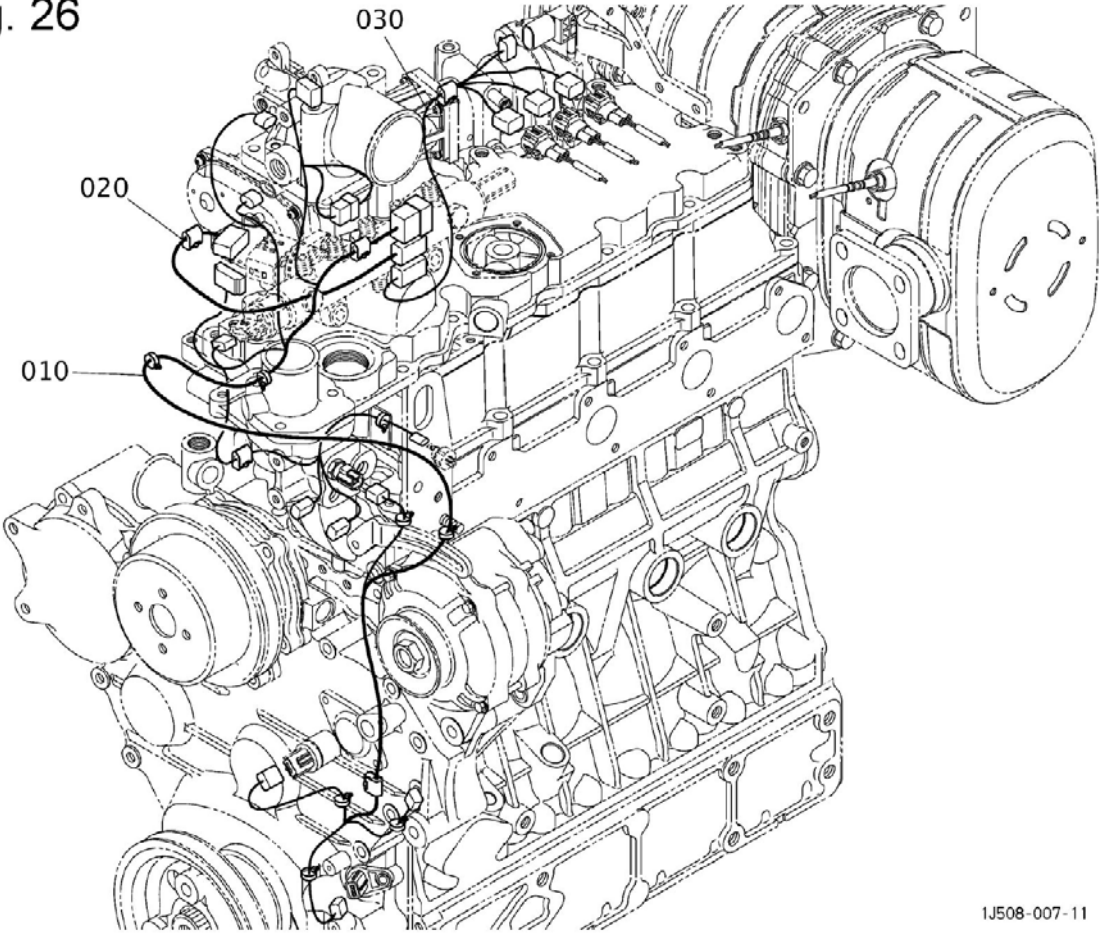
Item	Part No.	Name	Qty	Uom	Remarks	Serial Number
10	K1J574-59710	SENSOR (G)	1	EA		
20	K1J574-96750	O-RING	1	EA		
30	K01754-50616	BOLT, flange	1	EA		
40	K1J574-59710	SENSOR (G)	1	EA		
50	K1J574-96750	O-RING	1	EA		
60	K1G381-04420	SHIM(NE SENSOR)	1	EA		
60	K1G381-04430	SHIM(NE SENSOR)	1	EA		
60	K1G381-04440	SHIM(NE SENSOR)	1	EA		
70	K01754-50616	BOLT, flange	1	EA		
80	K1J574-59680	SENSOR THERMO	1	EA		
90	K04724-00160	PACKING	1	EA		
100	K1J500-59670	SENSOR BOOST	1	EA		
110	K01754-50616	BOLT, flange	2	EA		
150	K5H601-41940	SENSOR WATER TEMP	1	EA		
160	K04717-01200	WASHER, seal	1	EA		
170	K1A024-39010	SWITCH,OIL	1	EA		

Fig. 25



Item	Part No.	Name	Qty	Uom	Remarks	Serial Number
10	K1J500-65055	ASSY HARNESS	1	EA		
20	K1J574-65340	BAND,HARNESS	9	EA		

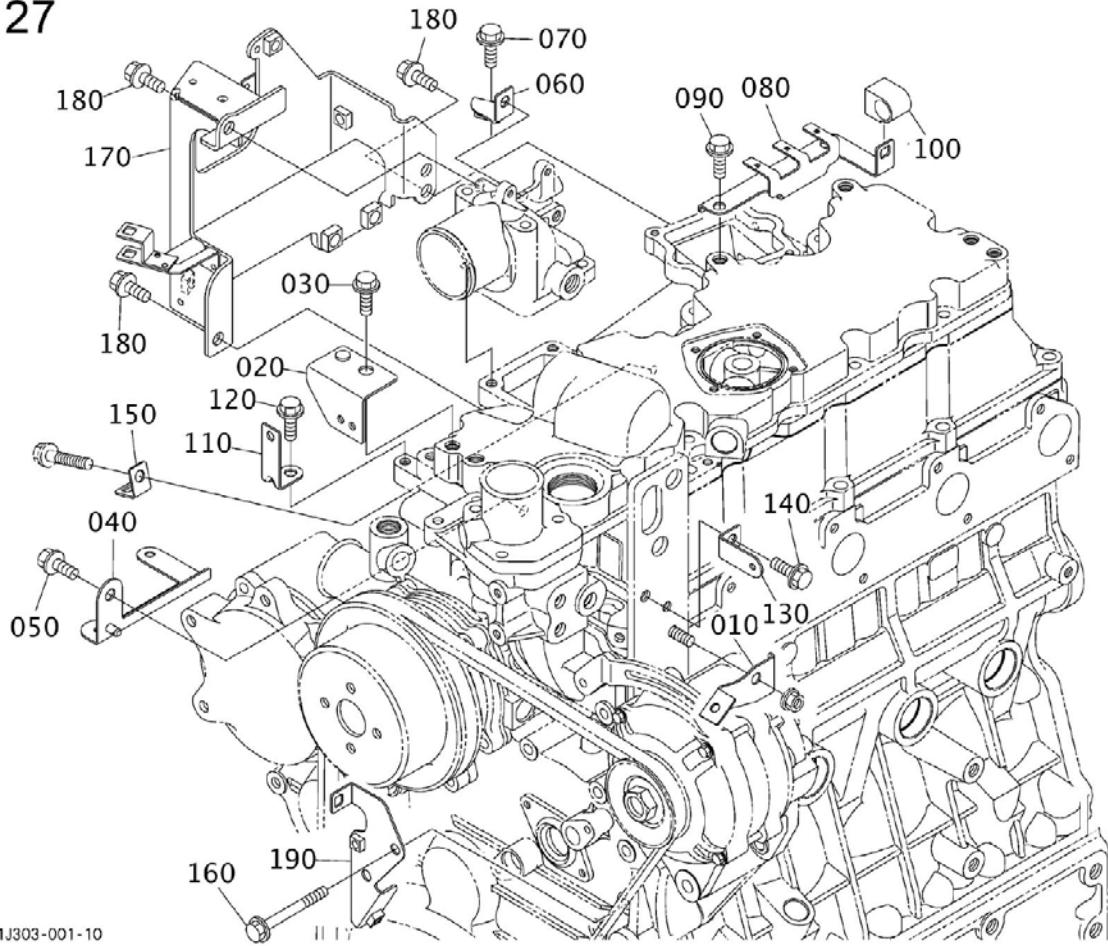
Fig. 26



1J508-007-11

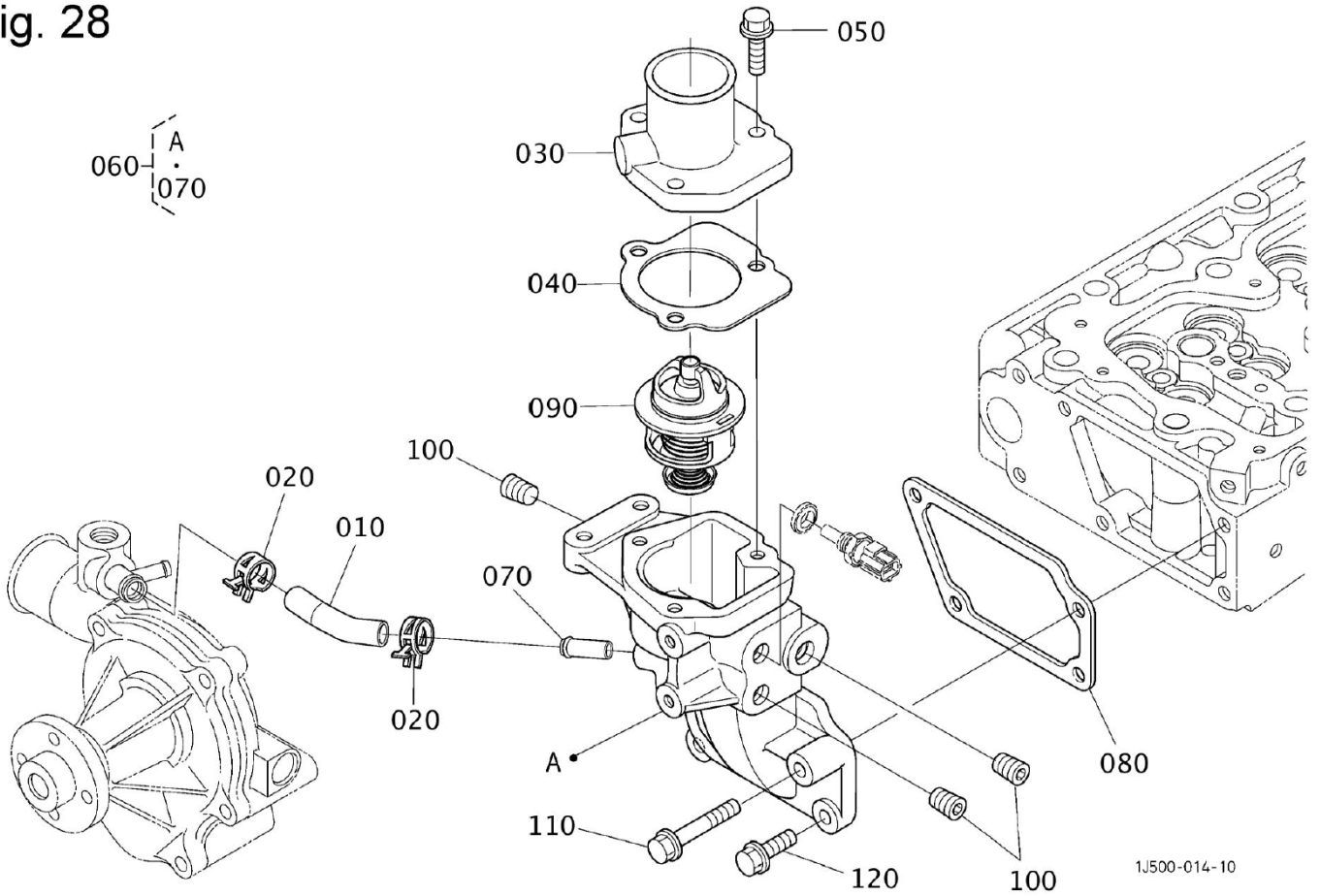
Item	Part No.	Name	Qty	Uom	Remarks	Serial Number
10	K1J508-65060	HARNESS ASSY	1	EA		
20	K1J508-65070	HARNESS ASSY	1	EA		
30	K1J508-65080	HARNESS ASSY	1	EA		

Fig. 27



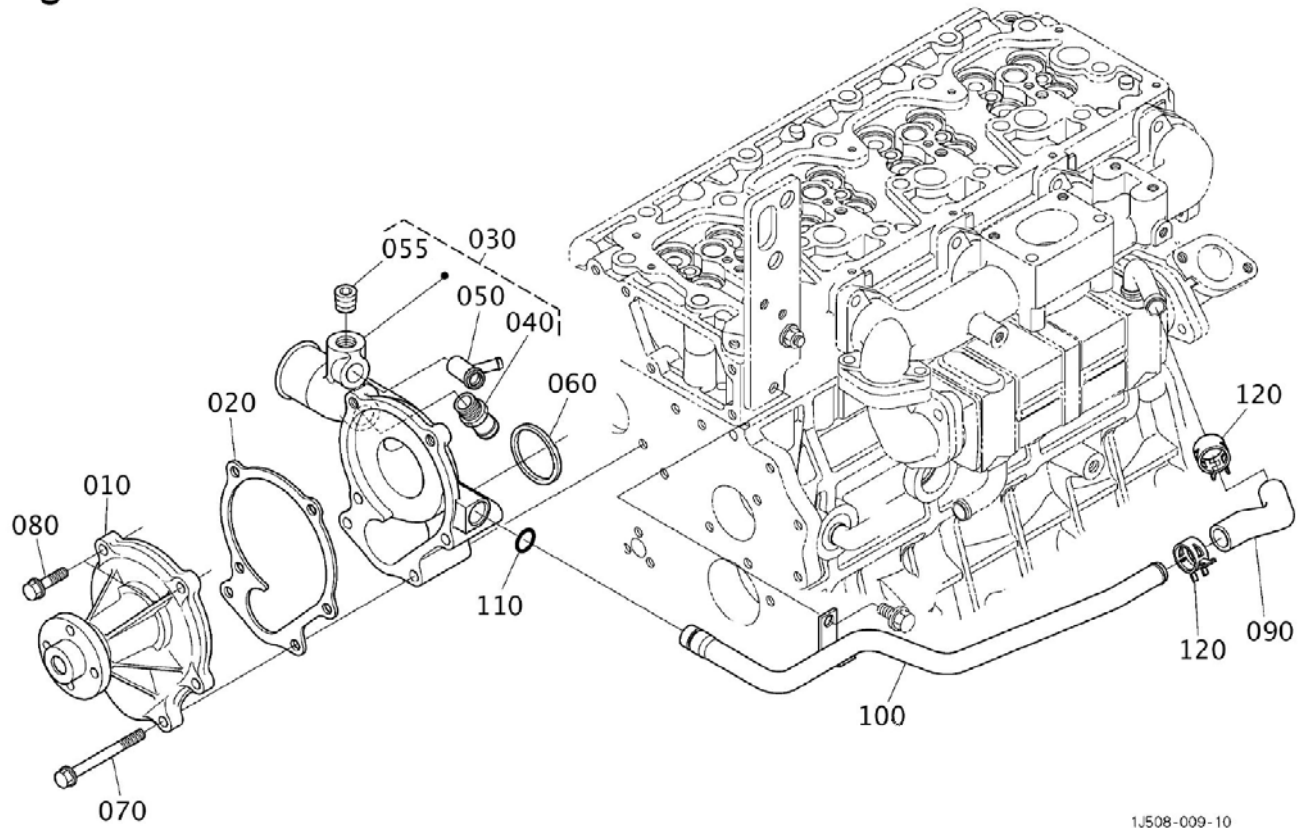
Item	Part No.	Name	Qty	Uom	Remarks	Serial Number
10	K1J508-65220	BRACKET	1	EA		
20	K1J508-65230	BRACKET COMP	1	EA		
30	K01754-50816	BOLT, flange	1	EA		
40	K1J508-65240	COMP HARNESS	1	EA		
50	K01754-50816	BOLT, flange	1	EA		
60	K1J508-65320	BRACKET	1	EA		
70	K01754-50816	BOLT, flange	1	EA		
80	K1J508-65170	BRACKET	1	EA		
90	K01754-50816	BOLT, flange	2	EA		
100	K1J500-65390	CLAMP	1	EA		
110	K1J508-65370	BRACKET	1	EA		
120	K01754-50816	BOLT, flange	1	EA		
130	K1J508-65380	BRACKET	1	EA		
140	K01754-50816	BOLT, flange	1	EA		
150	K1J508-65330	BRACKET	1	EA		
160	K1C010-91070	BOLT, flange	2	EA		
170	K1J303-65200	BRACKET COMP CONN	1	EA		
180	K01754-50816	BOLT, flange	3	EA		
190	K1J508-65210	BRACKET COMP	1	EA		

Fig. 28



Item	Part No.	Name	Qty	Uom	Remarks	Serial Number
10	K1J500-73352	HOSE, WATER RETURN	1	EA		
20	K09318-88200	CLAMP, hose	2	EA		
30	K1C020-73260	COVER THERMOSTAT	1	EA		
40	K1C020-73272	GASKET	1	EA		
50	K01754-50825	BOLT, flange	3	EA		
60	K1C011-72707	COMP.FLANGE,WATER	1	EA		
70	K16241-05550	JOINT,BREATHER PIPE	1	EA		
80	K1C010-72820	GASKET, WATER FLANGE	1	EA		
90	K1C011-73010	THERMOSTAT ASSY	1	EA		
100	K1A021-96020	PLUG	3	EA		
110	K01754-50850	BOLT, flange	1	EA		
120	K01754-50825	BOLT, flange	3	EA		

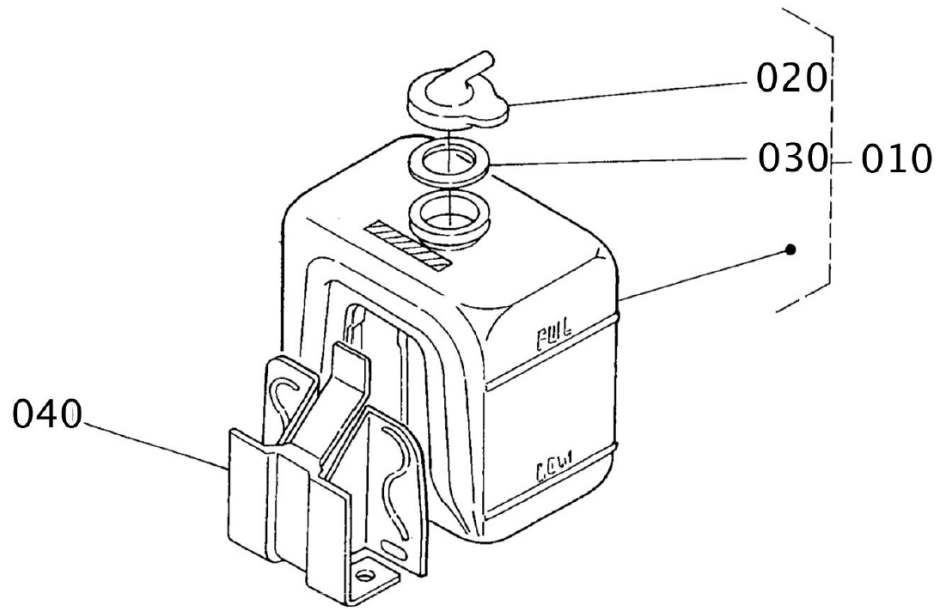
Fig. 29



1J508-009-10

Item	Part No.	Name	Qty	Uom	Remarks	Serial Number
10	K1C010-73034	ASSY PUMP WATER	1	EA		
20	K1C010-73430	GASKET	1	EA		
30	K1J500-73060	ASSY SUPPORT W/P	1	EA		
40	K1C010-37114	JOINT,WATER PIPE	1	EA		
50	K1J500-73310	COMP.PIPE,WATER RETURN	1	EA		
55	K16241-96020	BOLT, flange	1	EA		
60	K1J550-73762	GASKET,W/P SUPPORT	1	EA		
70	K01754-50880	BOLT, flange	4	EA		
80	K01754-50830	BOLT, flange	2	EA		
90	K1J508-71460	HOSE	1	EA		
100	K1J508-71470	PIPE COMP	1	EA		
110	K04816-05150	O-RING	1	EA		
120	K09318-88200	CLAMP, hose	2	EA		

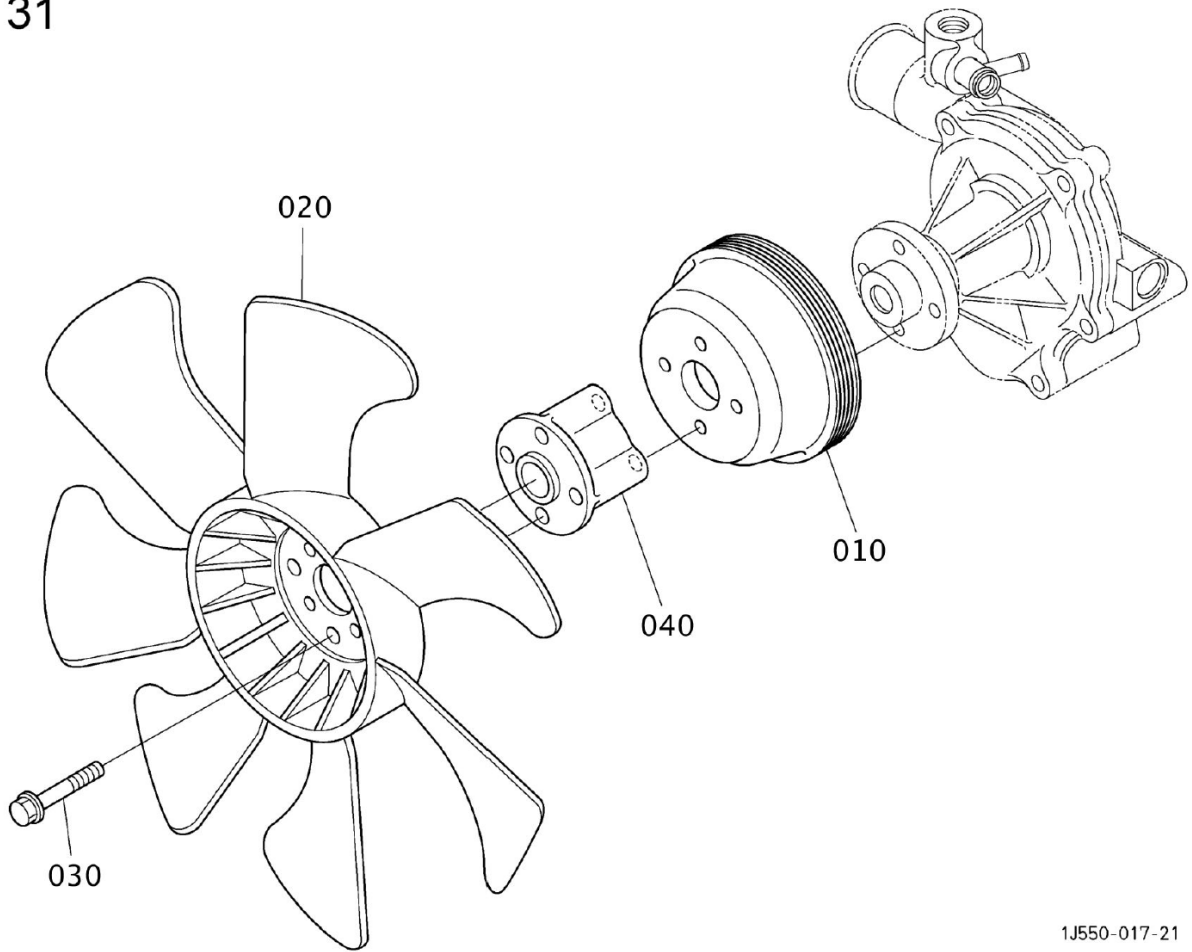
Fig. 30



1G682-013-10

Item	Part No.	Name	Qty	Uom	Remarks	Serial Number
10	K15527-72400	TANK ASSY, reserve	1	EA		
20	K15272-72420	CAP	1	EA		
30	K15531-72432	GASKET	1	EA		
40	K15527-72460	STAY RESERVE TANK	1	EA		

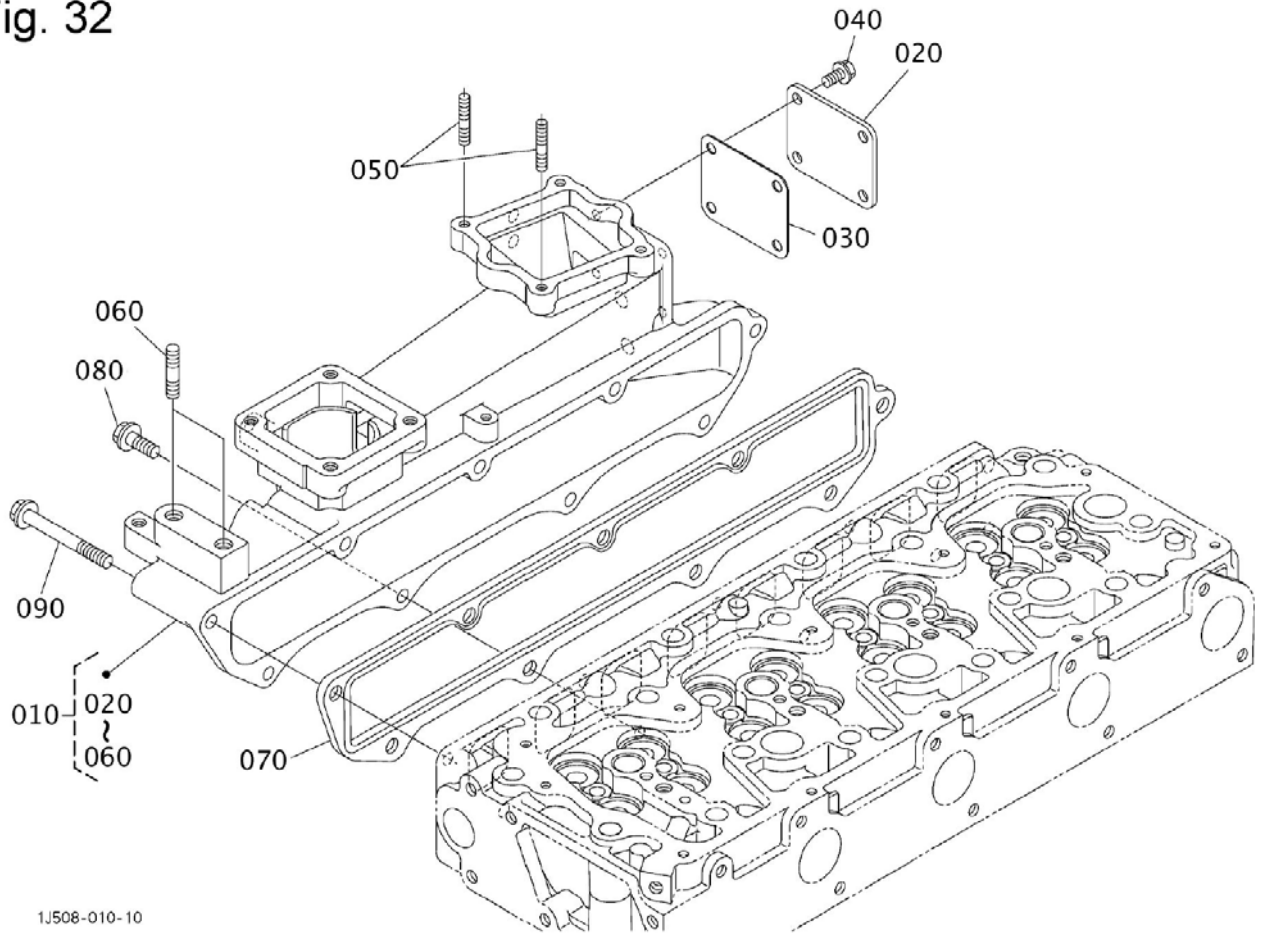
Fig. 31



1J550-017-21

Item	Part No.	Name	Qty	Uom	Remarks	Serial Number
10	K1G377-74250	FAN PULLEY	1	EA		
20	K1G377-74110	FAN (COOLING)	1	EA		
30	K01754-50865	BOLT, flange	4	EA		
40	K17381-74150	COLLAR, fan	1	EA		

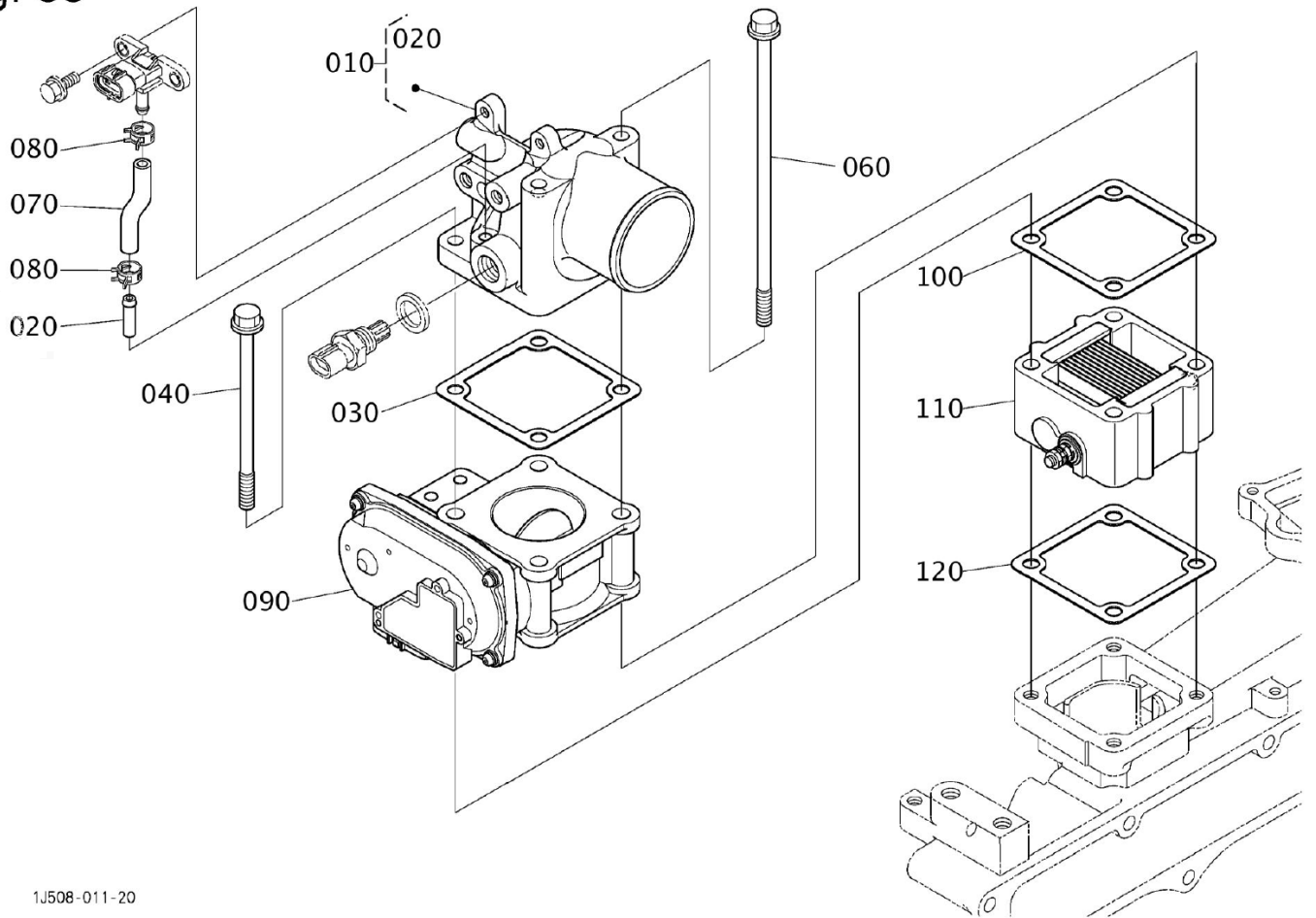
Fig. 32



1J508-010-10

Item	Part No.	Name	Qty	Uom	Remarks	Serial Number
10	K1J509-11772	MANIFOLD INLET	1	EA		
20	K1J500-11980	COVER,INLET	1	EA		
30	K1J500-11840	GASKET,INLET	1	EA		
40	K01754-50612	BOLT, flange	4	EA		
50	K01518-50622	BOLT, stud	2	EA		
60	K01517-71025	STUD	2	EA		
70	K1C020-11820	GASKET,IN/MANIFOLD	1	EA		
80	K01754-50820	BOLT, flange (M8X1.25X20)	5	EA		
90	K01754-50865	BOLT, flange	4	EA		

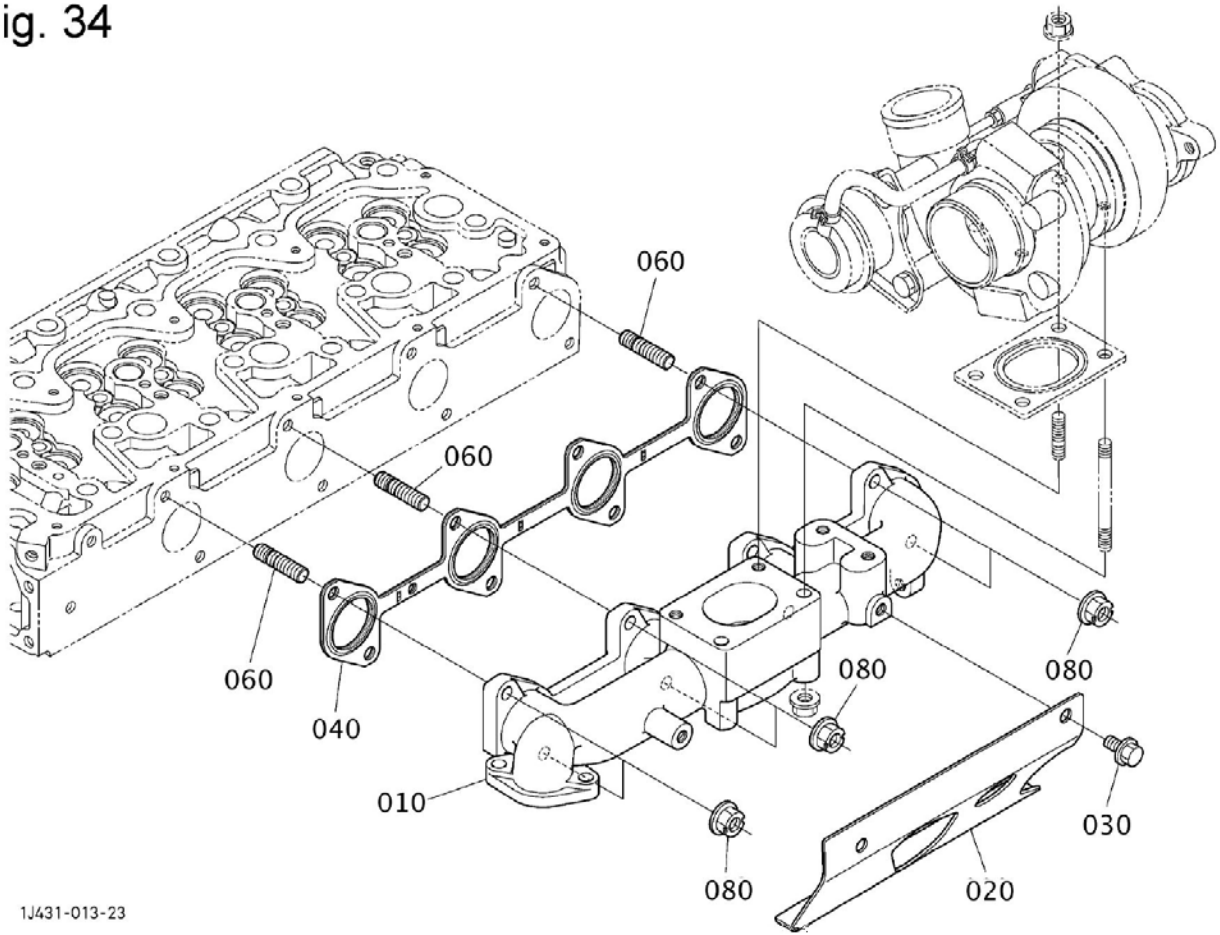
Fig. 33



1J508-011-20

Item	Part No.	Name	Qty	Uom	Remarks	Serial Number
10	K1J500-11810	COMP FLANGE,A-CLEAN.	1	EA		
20	K1J574-54280	PIPE,BOOST	1	EA		
30	K1J500-11650	GASKET A/C FLANGE	1	EA		
40	K01754-50804	BOLT, flange	2	EA		
60	K1J500-91010	BOLT, flange	2	EA		
70	K1J500-54560	TUBE,BOOST	1	EA		
80	K09318-88085	CLAMP, hose	2	EA		
90	K1J500-10600	ASSY THROTTLE VALVE	1	EA		
100	K1J500-11650	GASKET A/C FLANGE	1	EA		
110	K1J500-65452	HEATER,INTAKE AIR	1	EA		
120	K1J500-11650	GASKET A/C FLANGE	1	EA		

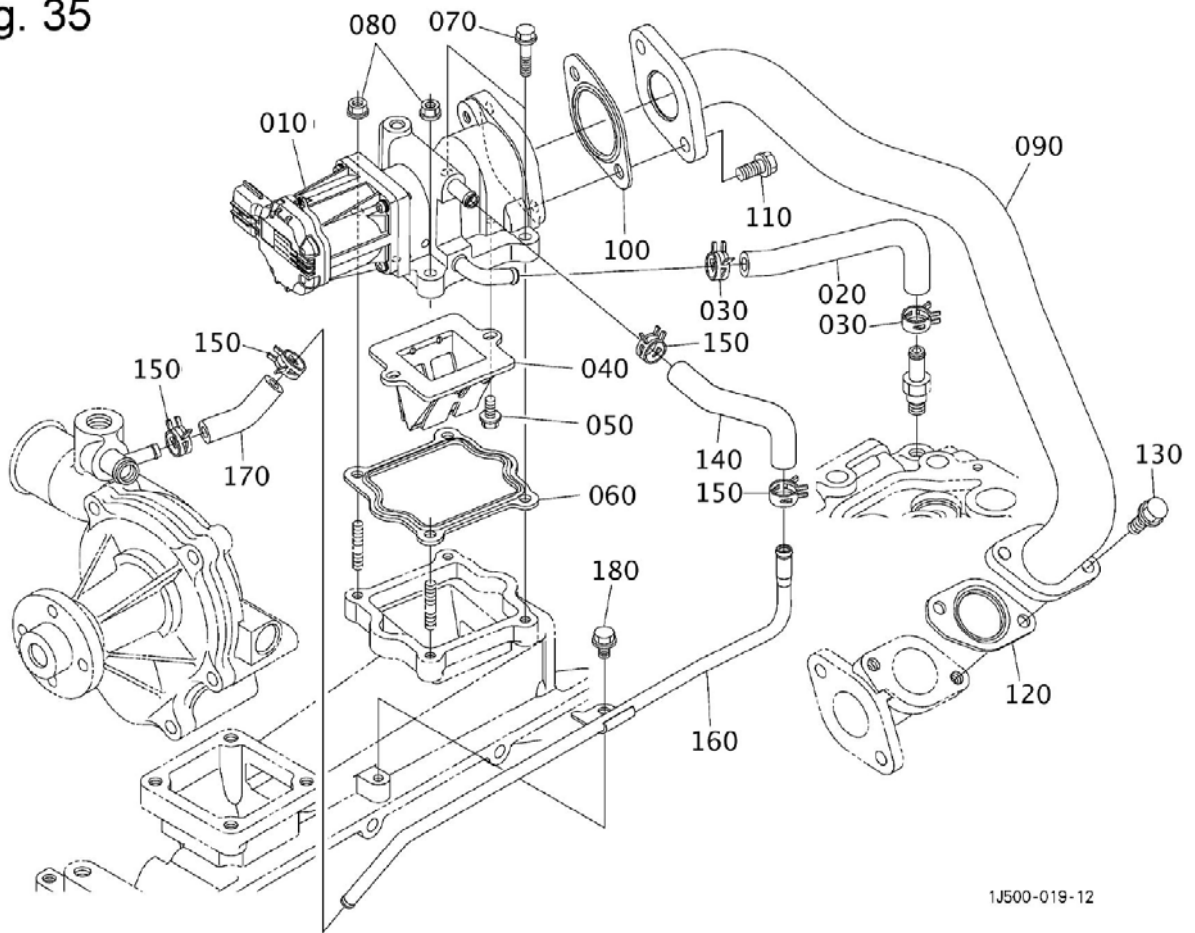
Fig. 34



1J431-013-23

Item	Part No.	Name	Qty	Uom	Remarks	Serial Number
10	K1J500-12314	MANIFOLD EXHAUST	1	EA		
20	K1J500-17343	COVEREX MANIFOLD	1	EA		
30	K1J301-91010	BOLT, flange	2	EA		
40	K1J550-12350	GASKET,EX-MANIFOLD	1	EA		
60	K1J542-91632	STUD	8	EA		
80	K1J542-92500	NUT, flange	8	EA		

Fig. 35

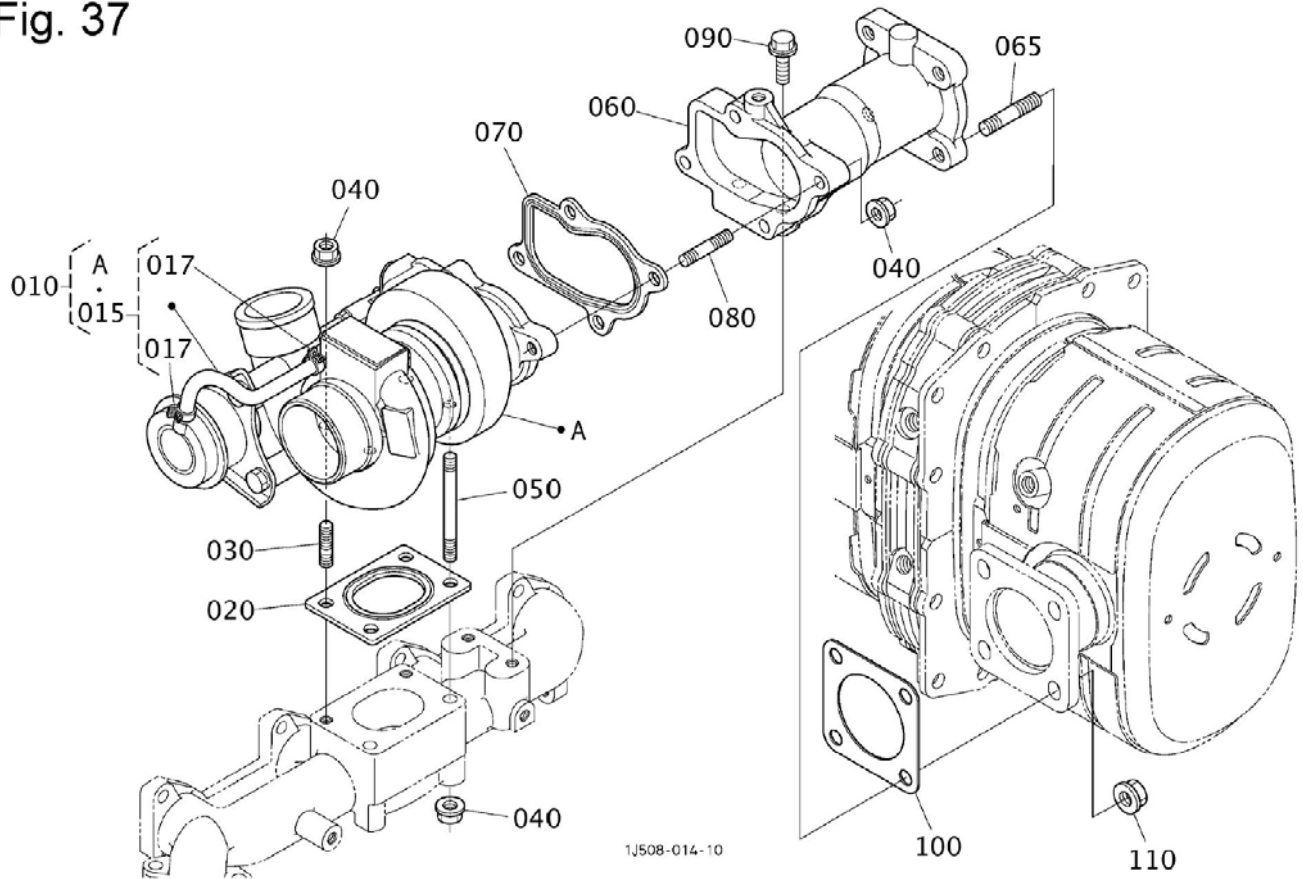


1J500-019-12

Item	Part No.	Name	Qty	Uom	Remarks	Serial Number
10	K1J508-62700	VALVE ASSY	1	EA		
20	K1J500-71810	TUBE	1	EA		
30	K09318-88130	CLAMP, hose	2	EA		
40	K1J574-13710	VALVE, LEAD	1	EA		
50	K01754-50612	BOLT, flange	2	EA		
60	K1J803-17410	GASKET,EGR VALVE	1	EA		
70	K01754-50625	BOLT, flange	2	EA		
80	K02751-50060	NUT, flange	2	EA		
90	K1J500-17320	COMP.PIPE,EGR	1	EA		
100	K1J803-17430	GASKET(COOLER,EGR)	1	EA		
110	K01754-50820	BOLT, flange (M8X1.25X20)	2	EA		
120	K1J500-17490	GASKET(EGR PIPE)	1	EA		
130	K01754-50820	BOLT, flange (M8X1.25X20)	2	EA		
140	K1J500-71820	TUBE	1	EA		
150	K09318-88130	CLAMP, hose	4	EA		
160	K1J500-71830	COMP.PIPE	1	EA		
170	K1J500-71840	TUBE	1	EA		
180	K01755-50612	BOLT, flange	1	EA		

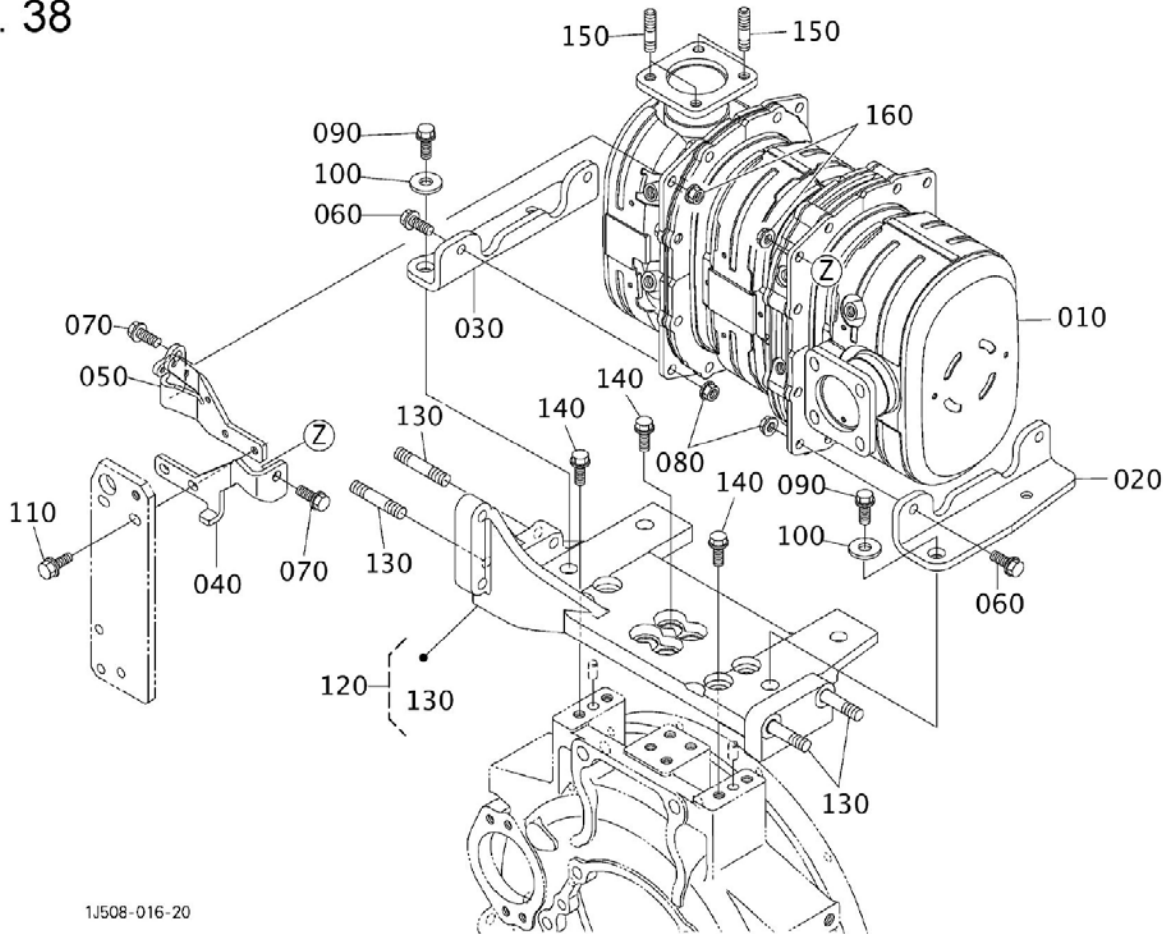
Item	Part No.	Name	Qty	Uom	Remarks	Serial Number
5	K1J508-17240	FLANGE ASSY	1	EA		
10	K1J508-17310	FLANGE EGR	1	EA		
15	K1J500-91550	STUD	2	EA		
20	K1J500-17490	GASKET(EGR PIPE)	1	EA		
30	K1J542-92500	NUT, flange	2	EA		
40	K1J508-71410	COOLER COMP	1	EA		
50	K1J803-17430	GASKET(COOLER,EGR)	2	EA		
60	K1J500-91020	BOLT, flange	4	EA		
70	K1J508-17270	FLANGE EGR	1	EA		
80	K1J508-71430	STAY EGR	1	EA		
90	K1J301-91010	BOLT, flange	2	EA		
100	K1J508-71450	HOSE	1	EA		
110	K09318-88200	CLAMP, hose	2	EA		

Fig. 37



Item	Part No.	Name	Qty	Uom	Remarks	Serial Number
10	K1J508-17014	TURBO ASSY	1	EA		
15	K1C041-17200	HOSE ASSY	1	EA		
17	K17371-17220	CLAMP, hose	2	EA		
20	K1J550-17100	GASKET	1	EA		
30	K1J530-91500	BOLT, stud	2	EA		
40	K1J542-92500	NUT, flange	8	EA		
50	K1J530-91530	STUD	2	EA		
60	K1J508-12320	FLANGE MUFFLER	1	EA		
65	K01517-71025	STUD	4	EA		
70	K1G544-17110	GASKET	1	EA		
80	K1J530-91510	STUD	4	EA		
90	K1J436-91012	BOLT, flange	2	EA		
100	K1J500-12230	GASKET MUFFLER	1	EA		
110	K02771-50100	NUT, flange	4	EA		

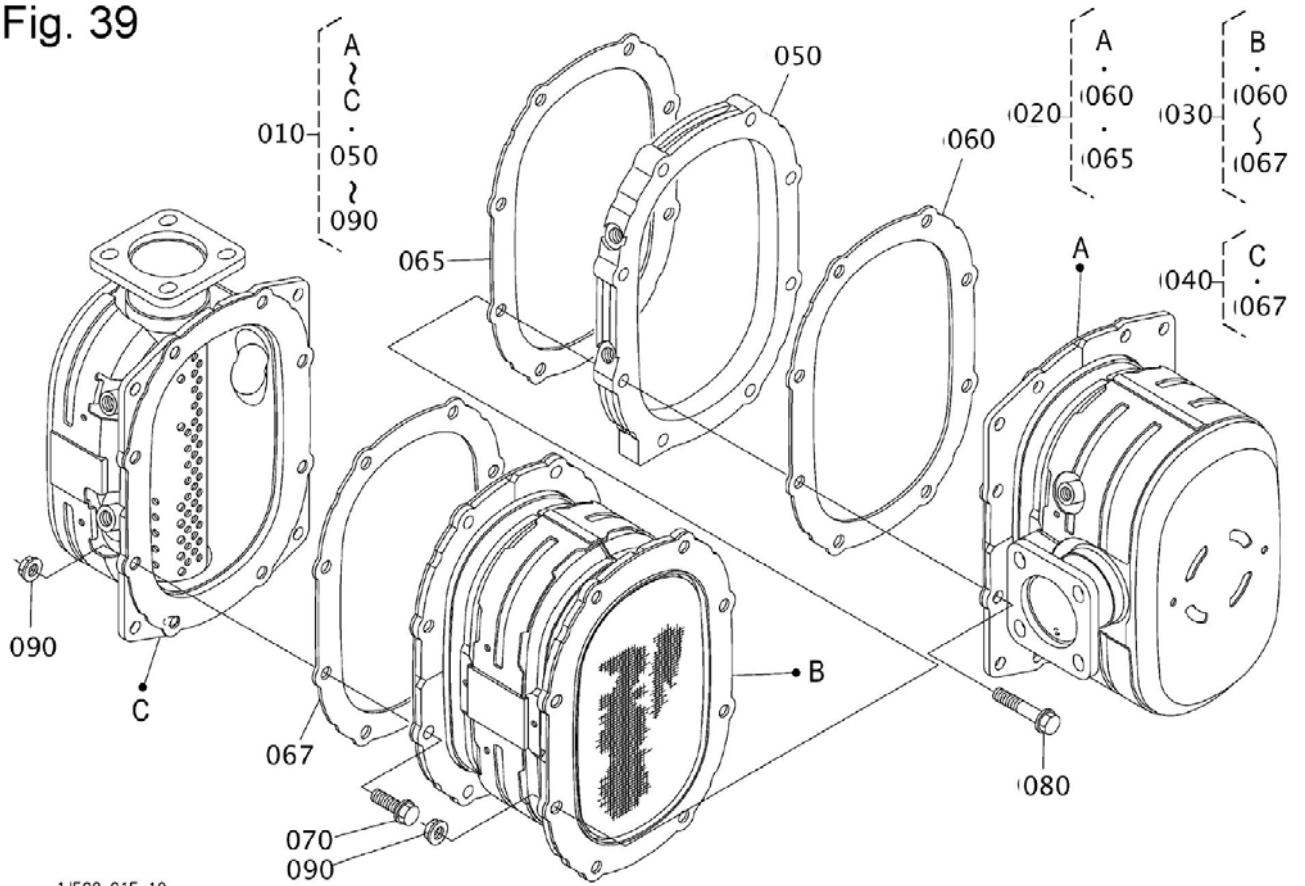
Fig. 38



1J508-016-20

Item	Part No.	Name	Qty	Uom	Remarks	Serial Number
10	PNNA	MUFFLER, ASSY (DPF)		EA		
20	K1J500-18700	BRACKET, DPF	1	EA		
30	K1J500-18710	BRACKET, DPF	1	EA		
40	K1J500-18720	STAY,DPF	1	EA		
50	K1J500-18730	STAY,DPF	1	EA		
60	K01774-51025	BOLT, flange	4	EA		
70	K01774-51025	BOLT, flange	2	EA		
80	K02771-50100	NUT, flange	4	EA		
90	K01774-51025	BOLT, flange	4	EA		
100	K04015-50100	WASHER, plain	4	EA		
110	K01754-50825	BOLT, flange	2	EA		
120	K1J508-18762	BRACKET BASE	1	EA		
130	K01517-51460	BOLT, stud	4	EA		
140	K01774-51230	BOLT, flange	8	EA		
150	K1J520-91540	STUD	4	EA		
160	K02771-50100	NUT, flange	2	EA		

Fig. 39



Item	Part No.	Name	Qty	Uom	Remarks	Serial Number
10	PNNA	MUFFLER,ASSY(DPF)	1	EA		
20	K1J508-18940	CATALYST KIT	1	EA		
30	K1J508-18930	FILTER KIT DPF	1	EA		
40	K1J508-18950	BODY KIT DPF	1	EA		
50	K1J500-18400	COLLAR (DPF)	1	EA		
60	K1J500-18412	GASKET DPF	1	EA		
65	K1J500-18412	GASKET DPF	1	EA		
67	K1J500-18412	GASKET DPF	1	EA		
70	K01774-51030	BOLT, flange	8	EA		
80	K01774-51050	BOLT, flange	8	EA		
90	K1J520-18420	NUT, flange	16	EA		

Takeuchi DPF Cleaning Program

Takeuchi is pleased to provide an economical alternative to costly filter replacement. The Takeuchi DPF Cleaning Program provides dealers the ability to send in dirty diesel particulate filters and have them professionally cleaned of ash buildup. The cleaning process will remove approximately 98% of the ash deposits, allowing customers to reuse filters in a cost effective manner. DPFs must be cleaned at 3,000 hours or less per manufacturer recommendations. No exchanges or swap outs, your filters will be returned to you.

Step-by-Step Instructions:

Fill out DPF Cleaning Order Form: The Takeuchi DPF Cleaning Order Form is attached and should be completed and included with the returned DPF filter. Information on the form includes: dealer return shipment address, return shipment method, PO number, dealer representative contact information, and signature authorization. This form can also be downloaded from the Takeuchi Parts Portal Document Library.

Shipping: Dealer is responsible for shipping the dirty DPF to Takeuchi utilizing pre-paid freight. DPFs shipped to Takeuchi freight collect will be refused and sent back to the dealer. DPF shipment should be addressed as follows:

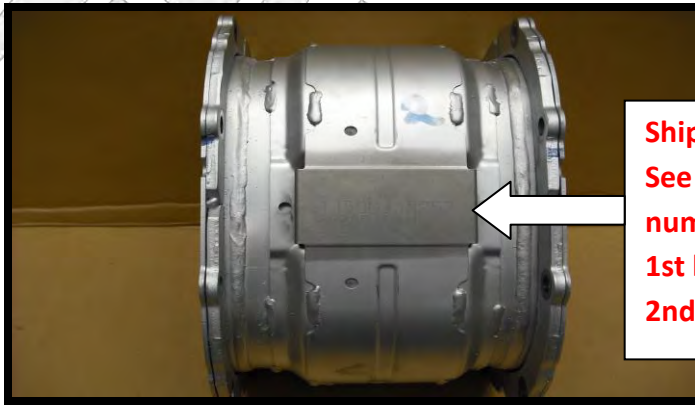
DPF Cleaning Technologies, Inc.
ATTN: Takeuchi DPF Cleaning Program
140A Auburn Park Drive
Auburn, GA 30011

Inspection and Cleaning: The DPF will be visually inspected for any cracks or damage. If damage is found, the dealer will be contacted for further guidance. If no damage is found, DPF will be thoroughly cleaned using a professional baking process. Once cleaning is complete, the DPF will be tested to ensure proper function. We will provide a quick turn-around, with product being cleaned and shipped within one (2) standard business days from receipt.

Pricing and Return Shipping: DPF Cleaning is **\$250** per filter. Takeuchi will ship the cleaned DPF back to the dealer via UPS Next Day Air, 2nd Day Air, or Ground Service based on the shipping method selected by the dealer on the Takeuchi DPF Cleaning Order Form. Return freight charges will be pre-paid and added to the invoice charged to the dealer's open parts account.

Price does not include any hardware, gaskets, clamps, or shop supplies utilized for removal and replacement of the DPF in the machine. Price does not include our standard \$7.50 per package shipping fee, fuel surcharges, or special delivery fees and charges that may apply.

Please note that the entire assembly should not be sent to Takeuchi for cleaning. It is the dealer's responsibility to disassemble and ship ONLY the DPF section as shown below.



**Ship DPF Core Section Only.
See Plate for part and serial
number information.
1st line is part #.
2nd line is serial #.**

The used DPF should be properly packaged by the dealer for shipment to Takeuchi. Please see example packaging below.

It is recommended that package is insured for full replacement value in case of loss or damage by the carrier. Takeuchi is not responsible for any loss or damage caused by the carrier or any loss or damage due to improper shipping or packaging by the dealer. Please see example packaging below.



- Seal the removed DPF filter comp with a plastic bag as shown in the photograph, so the ash will not escape during shipment.
- Put a cushioning material in the bottom, sides, and top of the cardboard box.
- Put "FRAGILE" sticker on the cardboard box.
- Ship Prepaid Freight to the address on the DPF cleaning form.
- Recommend insuring package with carrier for full replacement value in case of loss or damage to package.

If you have any questions, please contact the Takeuchi Service Department at 706-693-3600.

DPF Cleaning Order Form

Please fill out this form completely and return with the DPF filter to:

DPF Cleaning Technologies, Inc.
ATTN: Takeuchi DPF Cleaning Program
140A Auburn Park Drive
Auburn, GA 30011

Note: Disassemble and send the center section of the DPF assembly only. Sending the complete DPF assembly will result in additional charges for disassembly.

<i>DEALERSHIP CONTACT INFORMATION</i>	
Dealer Name	
Dealer Account Number (Parts)	
Dealer Contact Name / Phone Number	
Ship to Address	
City, State, Zip	
Purchase Order Number	

<i>MACHINE INFORMATION</i>	
Model Number	
Serial Number	
Machine Hours	
DPF Serial Number (side of DPF)	

Return Freight will be pre-paid and added to the final invoice.

Return Freight Options:

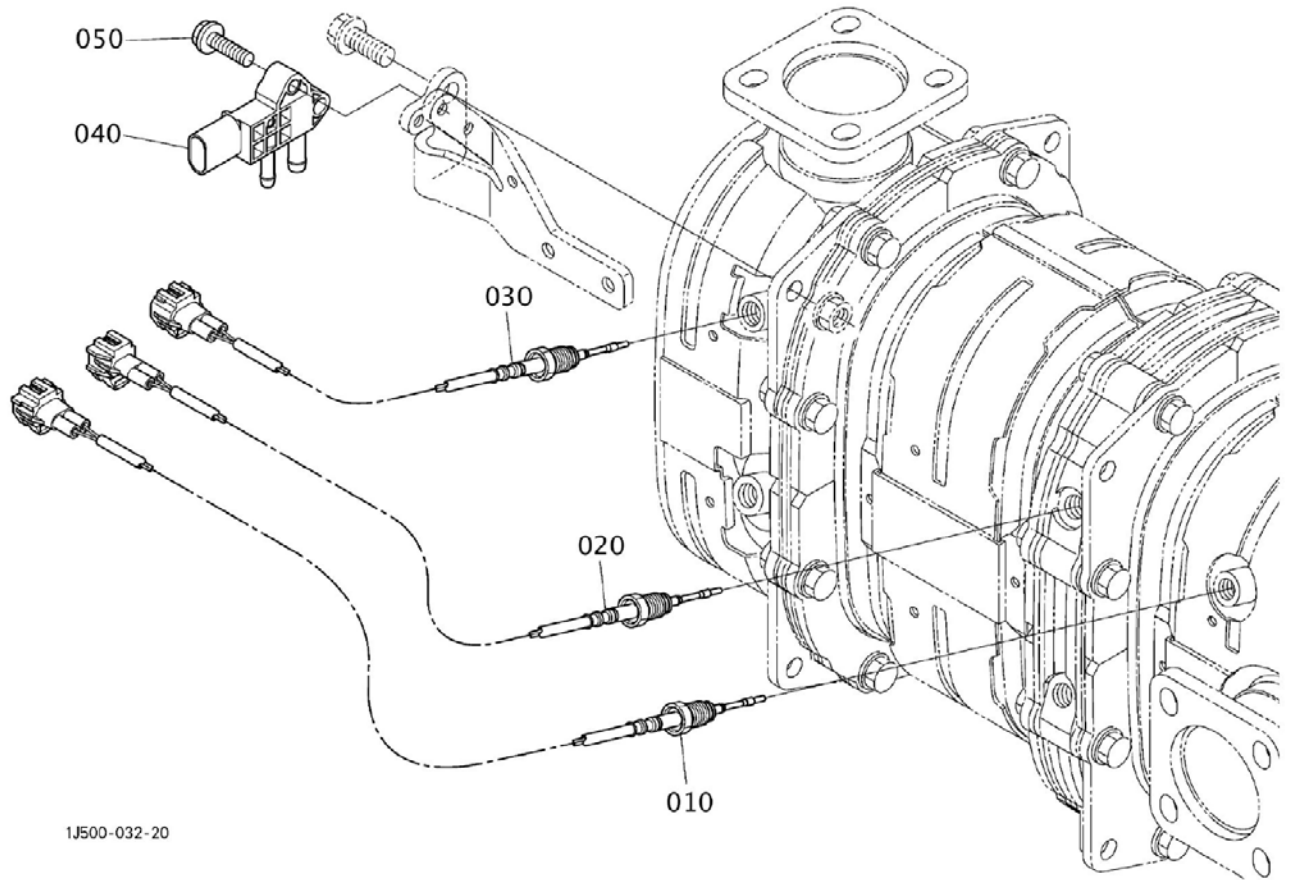
UPS Next Day Air
UPS 2nd Day Air
UPS Ground

Date: _____

Authorized Signature: _____

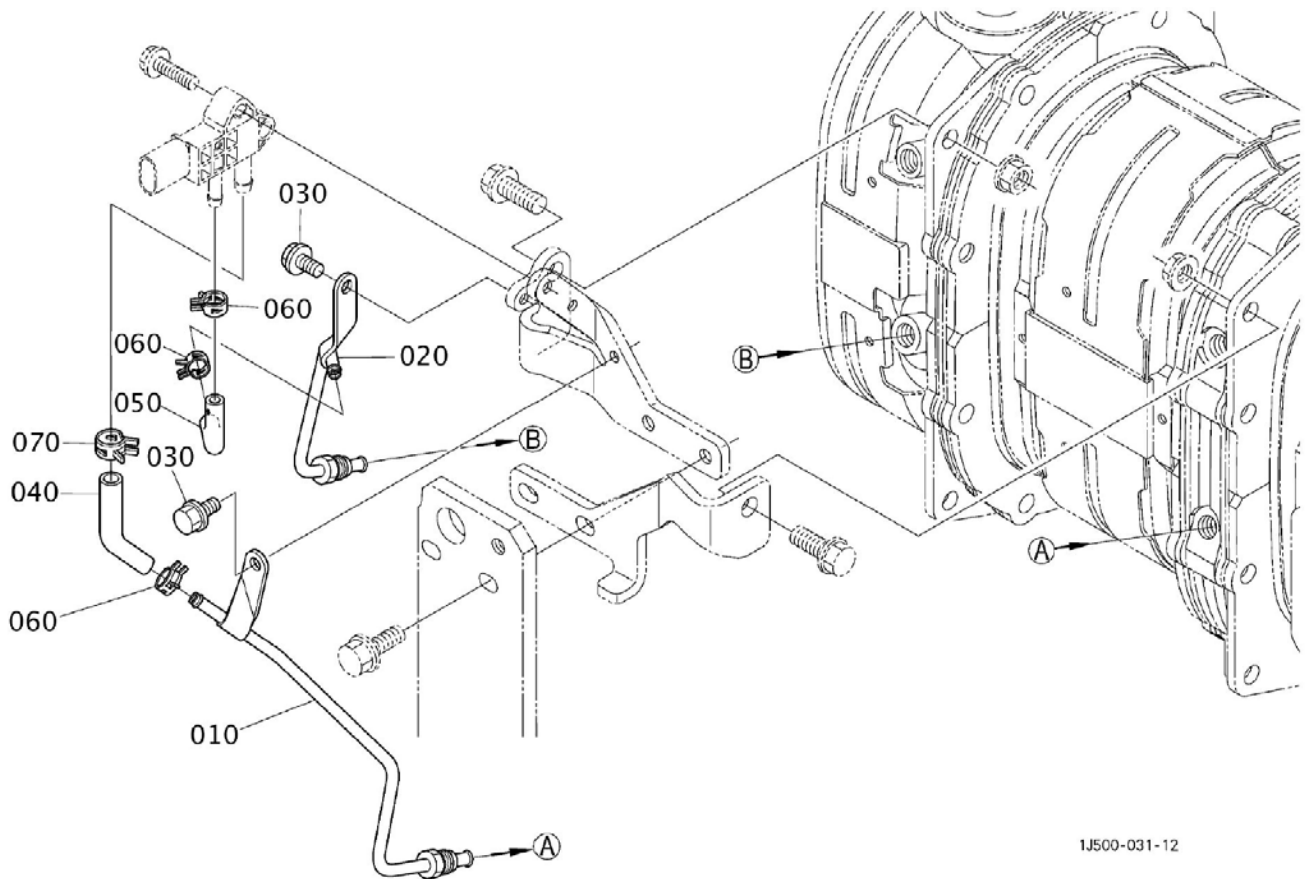
This page intentionally left blank

Fig. 40



Item	Part No.	Name	Qty	Uom	Remarks	Serial Number
10	K1J500-18500	SENSOR (THERMO,0)	1	EA		
20	K1J770-18510	SENSOR(THERMO,1)	1	EA		
30	K1J500-18522	SENSOR THERMO 2	1	EA		
40	K1J520-18600	SENSOR (DIFFERENTIAL PRESSURE)	1	EA		
50	K01754-50625	BOLT, flange	2	EA		

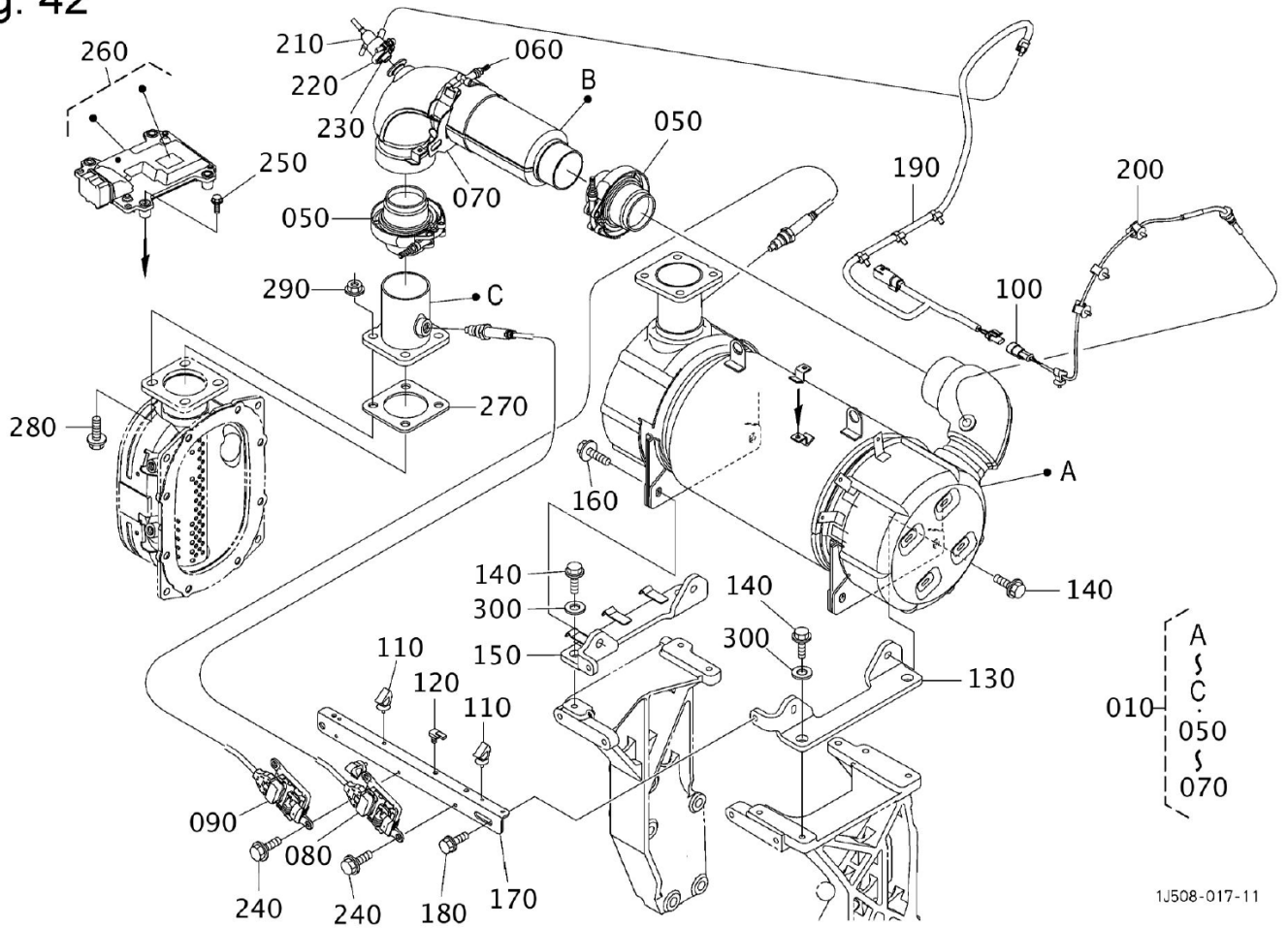
Fig. 41



1J500-031-12

Item	Part No.	Name	Qty	Uom	Remarks	Serial Number
10	K1J500-18620	COMP.PIPE,DIFF.PRESSURE	1	EA		
20	K1J500-18630	COMP.PIPE,DIFF.PRESSURE	1	EA		
30	K01754-50612	BOLT, flange	2	EA		
40	K1J500-18642	TUBE(PRESSURE,1)	1	EA		
50	K1J500-18652	TUBE (PRESSURE,2)	1	EA		
60	K09318-88100	CLAMP, hose	3	EA		
70	K09318-88115	CLAMP, hose	1	EA		

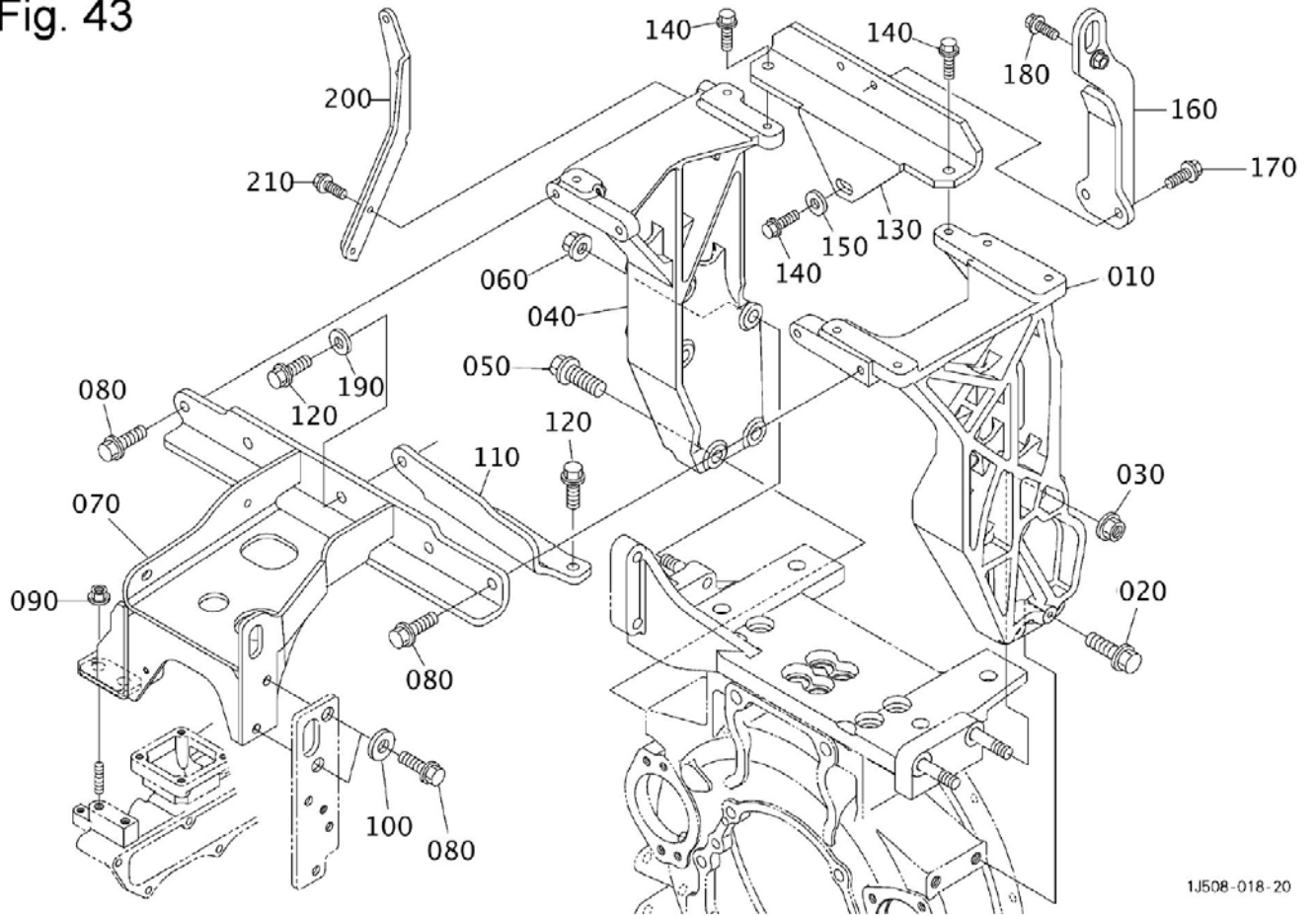
Fig. 42



1J508-017-11

Item	Part No.	Name	Qty	Uom	Remarks	Serial Number
10	K1J303-19102	SCR MUFFLER ASSY	1	EA		
50	K1J508-19270	BAND ASSY	2	EA		
60	K1J508-19260	BAND ASSY	1	EA		
70	K1J508-19792	STAY PIPE	1	EA		
80	K1J508-19360	SENSOR NOX PRE	1	EA		
90	K1J508-19370	SENSOR NOX POST	1	EA		
100	K1J509-19380	SENSOR THERMO	1	EA		
110	K1J508-65390	CLAMP	4	EA		
120	K1J509-65390	CLAMP	1	EA		
130	K1J508-19700	BRACKET	1	EA		
140	K01774-51030	BOLT, flange	2	EA		
150	K1J508-19710	BRACKET	1	EA		
160	K01774-51030	BOLT, flange	2	EA		
170	K1J508-19722	BRACKET	1	EA		
180	K01774-51016	BOLT, flange	2	EA		
190	K1J508-65090	HARNESS ASSY	1	EA		
200	K1J508-65390	CLAMP	4	EA		
210	K1J508-97640	INJECTION KIT (DEF)	1	EA		
220	K1J508-19510	BAND	1	EA		
230	K1J508-19520	GASKET	1	EA		
240	K01754-50612	BOLT, flange	2	EA		
250	K01754-50630	BOLT, flange	2	EA		
260	K1H105-59090	SUB ASSY, ECU	1	EA		
270	K1J520-12230	GASKET MUFFLER	1	EA		
280	K02771-50100	NUT, flange	4	EA		
290	K01774-51025	BOLT, flange	4	EA		
300	K04015-50100	WASHER, plain	4	EA		

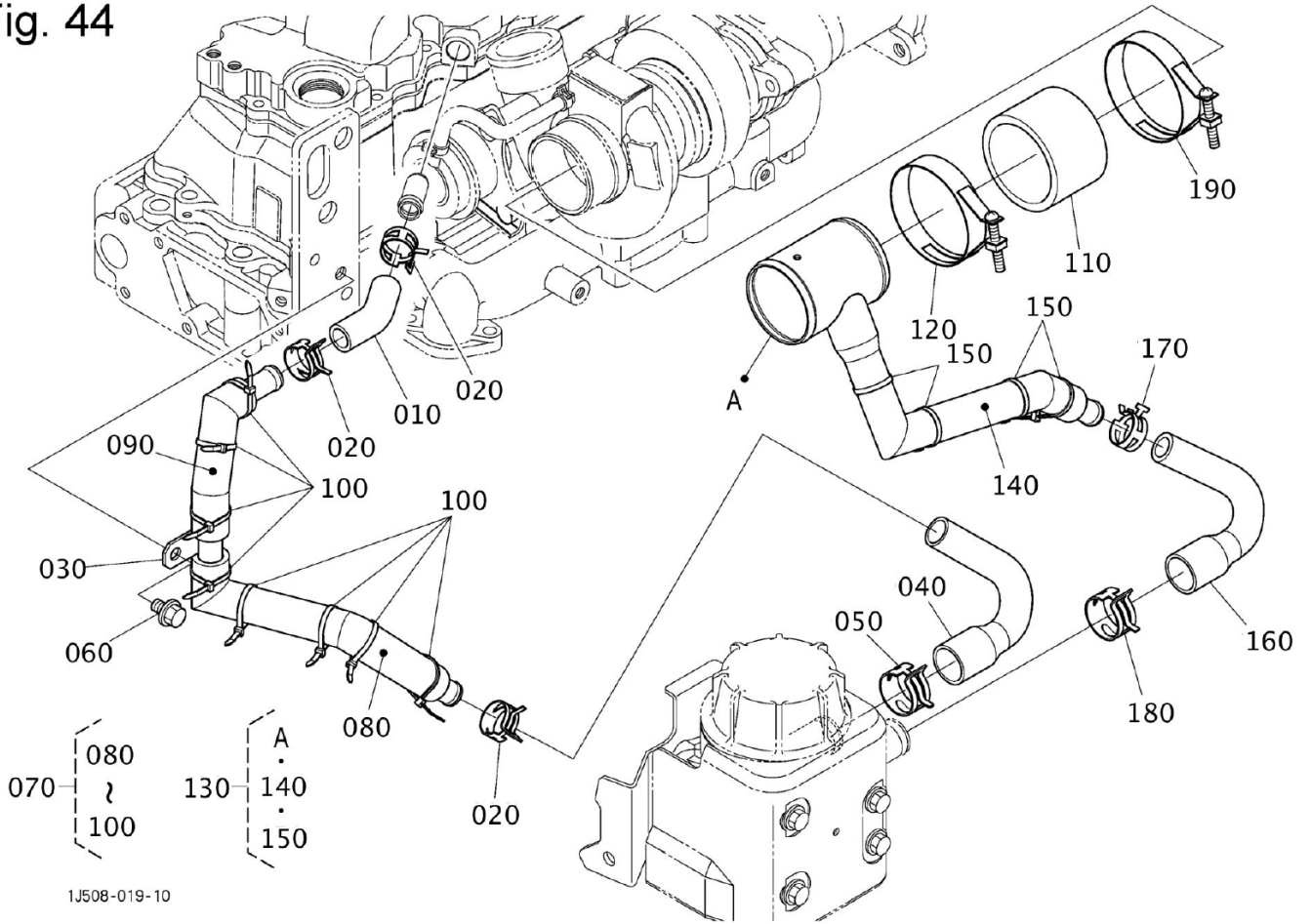
Fig. 43



1J508-018-20

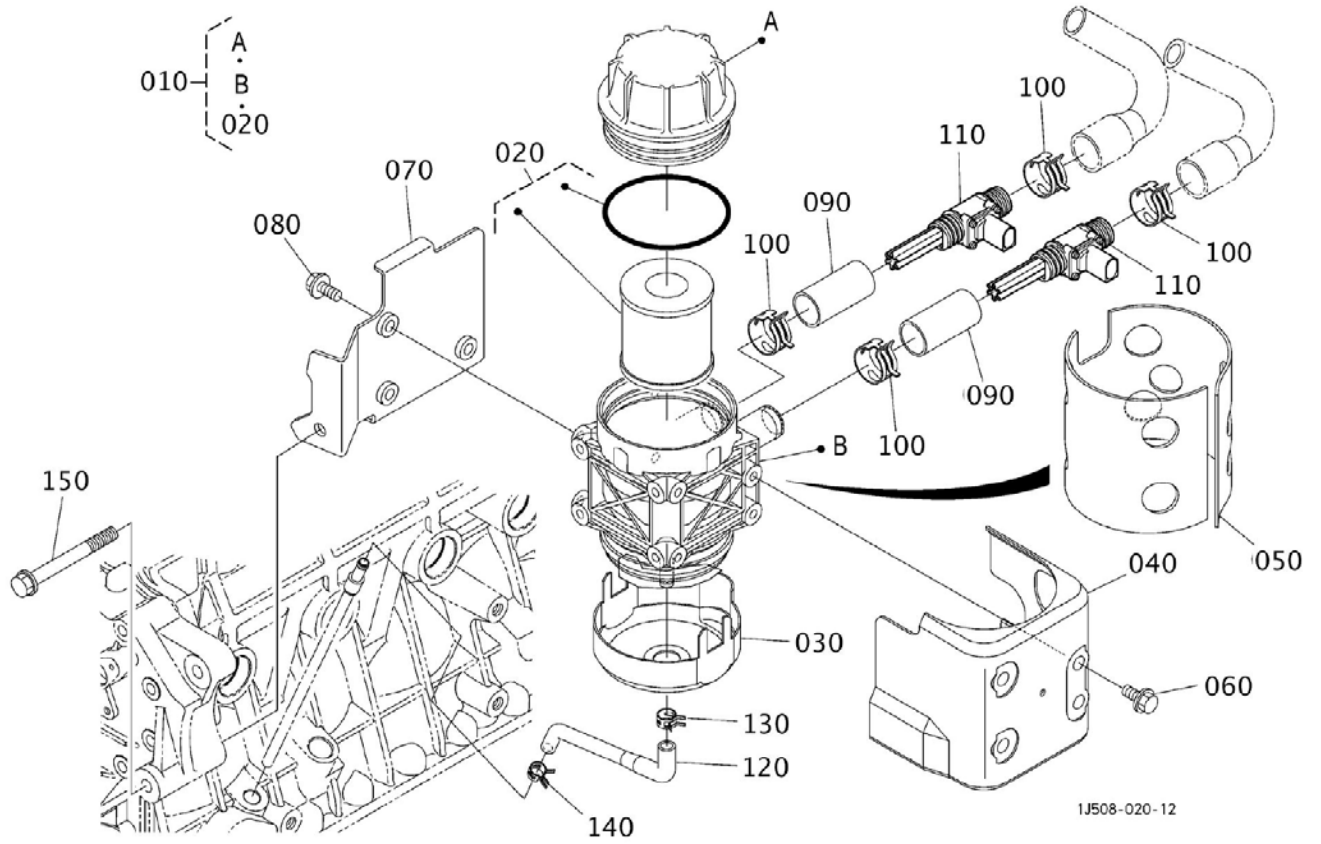
Item	Part No.	Name	Qty	Uom	Remarks	Serial Number
10	K1J508-19732	BASE	1	EA		
20	K01774-51455	BOLT, flange	2	EA		
30	K02771-50140	NUT, flange	2	EA		
40	K1J508-19742	BASE	1	EA		
50	K01774-51455	BOLT, flange	3	EA		
60	K02771-50140	NUT, flange	2	EA		
70	K1J508-19764	STAY COMP	1	EA		
80	K01774-51025	BOLT, flange	6	EA		
90	K02771-50100	NUT, flange	2	EA		
100	K04015-50100	WASHER, plain	2	EA		
110	K1J508-19770	STAY	1	EA		
120	K01774-51025	BOLT, flange	2	EA		
130	K1J508-19780	STAY, COMP	1	EA		
140	K01774-51025	BOLT, flange	3	EA		
150	K04015-50100	WASHER, plain	1	EA		
160	K1J508-19693	HOOK, engine	1	EA		
170	K01774-51025	BOLT, flange	2	EA		
180	K01774-51025	BOLT, flange	1	EA		
190	K04015-50100	WASHER, plain	1	EA		
200	K1J508-19580	BRACKET HOSE	1	EA		
210	K01754-50820	BOLT, flange (M8X1.25X20)	2	EA		

Fig. 44



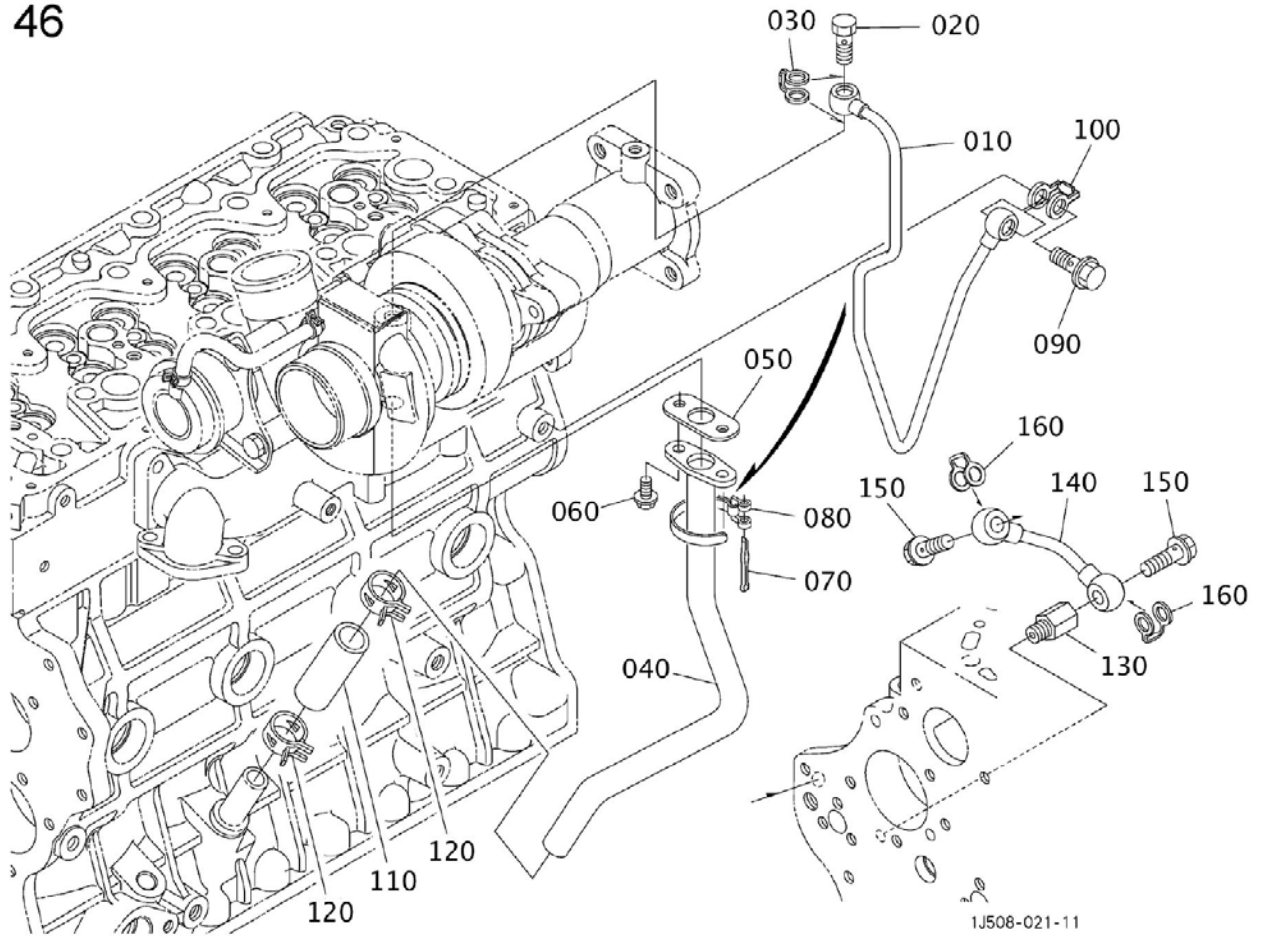
Item	Part No.	Name	Qty	Uom	Remarks	Serial Number
10	K1J500-05850	TUBE, SEPARATOR	1	EA		
20	K1K984-05580	CLAMP, hose	3	EA		
30	K1J431-05870	PIPE,COMP(SEPARATOR)	1	EA		
40	K1J419-05860	TUBE(2,BREATHER)	1	EA		
50	K09318-88260	CLAMP, hose	1	EA		
60	K01754-50812	BOLT, flange	1	EA		
70	K1E474-05744	PIPE ASSY SEP	1	EA		
80	K1E474-75810	INSULATION	1	EA		
90	K1E474-75830	INSULATION	1	EA		
100	K1E474-67580	CLAMP, cord	8	EA		
110	K1J419-11620	TUBE,INLET TURBO	1	EA		
120	K35466-74460	BAND,PIPE	1	EA		
130	K1J509-05640	PIPE ASSY	1	EA		
140	K1J509-75820	INSULATION	1	EA		
150	K1E474-67580	CLAMP, cord	4	EA		
160	K1J419-05860	TUBE(2,BREATHER)	1	EA		
170	K09318-88200	CLAMP, hose	1	EA		
180	K09318-88260	CLAMP, hose	1	EA		
190	K35466-74460	BAND,PIPE	1	EA		

Fig. 45



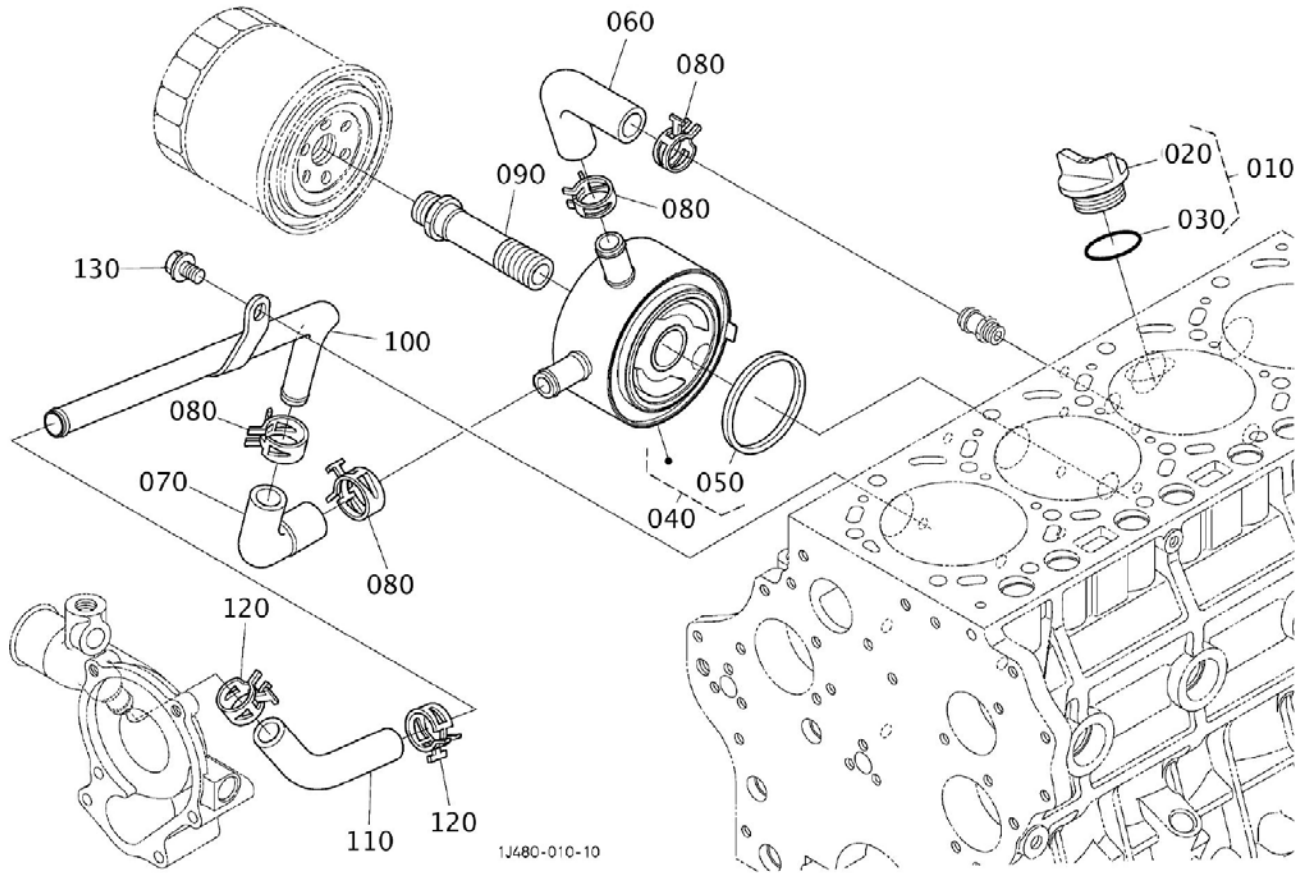
Item	Part No.	Name	Qty	Uom	Remarks	Serial Number
10	K1J509-05030	SEPARATOR ASSY	1	EA		
20	K1J508-05810	KIT, element	1	EA		
30	K1E474-05400	COVER	1	EA		
40	K1E474-05350	COVER	1	EA		
50	K1E474-75780	INSULATION HEAT	1	EA		
60	K01754-50825	BOLT, flange	4	EA		
70	K1J509-05820	BRACKET COMP	1	EA		
80	K01754-50825	BOLT, flange	3	EA		
90	K1E474-05862	TUBE 3 SEPARATOR	2	EA		
100	K09318-88260	CLAMP, hose	4	EA		
110	K1E474-05750	HEATER	2	EA		
120	K1J419-05830	TUBE, OIL RETURN	1	EA		
130	K09318-88130	CLAMP, hose	1	EA		
140	K09318-88115	CLAMP, hose	1	EA		
150	K01774-51080	BOLT, flange	1	EA		

Fig. 46



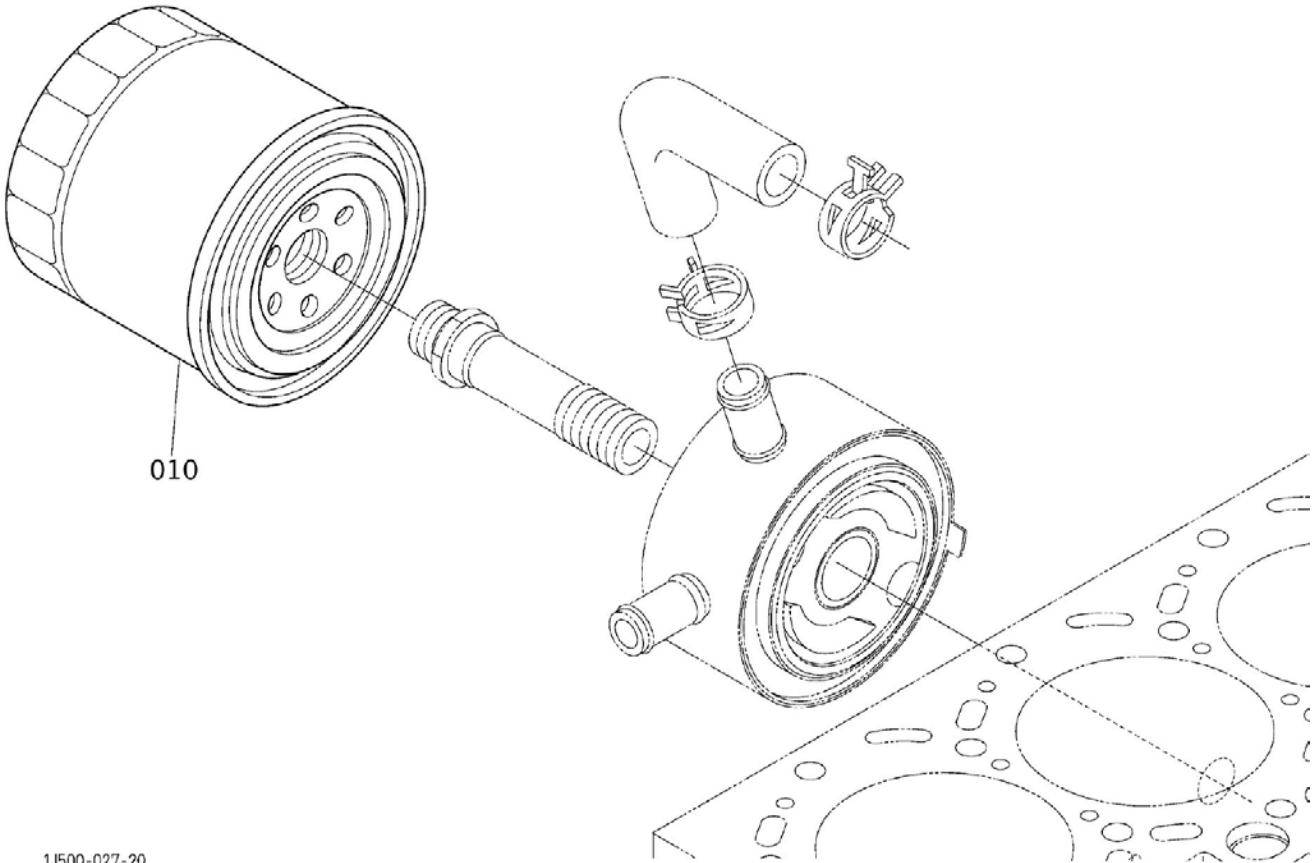
Item	Part No.	Name	Qty	Uom	Remarks	Serial Number
10	K1J583-33040	PIPE COMP	1	EA		
20	K17371-95800	BOLT	1	EA		
30	K1G777-96650	GASKET	1	EA		
40	K1J508-33060	PIPE COMP	1	EA		
50	K1J550-33670	GASKET	1	EA		
60	K01754-50612	BOLT, flange	2	EA		
70	K33430-82760	PIN HYD PIPE BAND	1	EA		
80	K1A024-33520	CLAMP (PIPE)	1	EA		
90	K1J860-95790	BOLT, EYE JOINT	2	EA		
100	K1G557-96650	GASKET	2	EA		
110	K1J553-33240	TUBE, OIL	1	EA		
120	K09318-88230	BAND, hose	2	EA		
130	K1J508-33360	JOINT PIPE OIL	1	EA		
140	K1J508-33690	PIPE COMP OIL	1	EA		
150	K1J860-95790	BOLT, EYE JOINT	2	EA		
160	K1G557-96650	GASKET	2	EA		

Fig. 47



Item	Part No.	Name	Qty	Uom	Remarks	Serial Number
10	K1C010-33080	ASSY, plug	1	EA		
20	KE9151-33140	PLUG, OIL FILLER	1	EA		
30	K04817-50300	O-RING	1	EA		
40	K1J500-37012	COOLER OIL ASSY	1	EA		
50	K15484-37070	GASKET, OIL COOLER	1	EA		
60	K1J500-37150	HOSE,OIL COOLER	1	EA		
70	K1J500-37180	HOSE,OIL COOLER	1	EA		
80	K09318-88200	CLAMP, hose	4	EA		
90	K1J500-32290	JOINT	1	EA		
100	K1J508-37160	PIPE COMP OIL	1	EA		
110	K1C010-37172	OIL COOLER WATER PIPE	1	EA		
120	K09318-88200	CLAMP, hose	2	EA		
130	K01754-50812	BOLT, flange	1	EA		

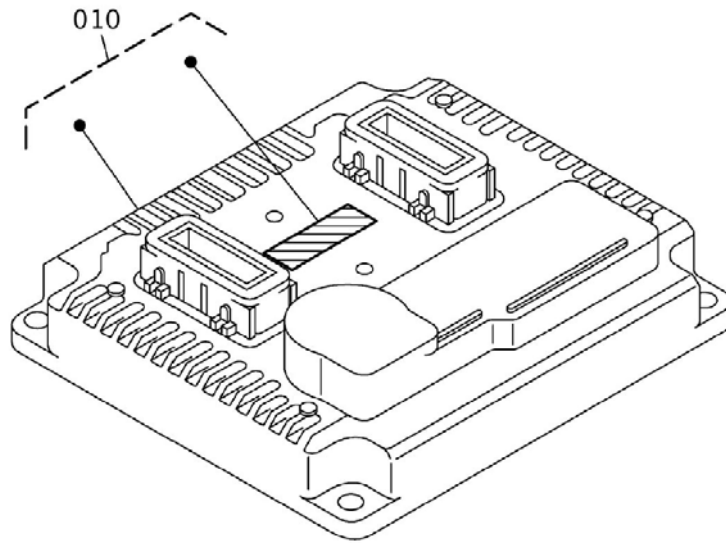
Fig. 48



1J500-027-20

Item	Part No.	Name	Qty	Uom	Remarks	Serial Number
10	KHH1C0-32430	FILTER, oil (CARTRIDGE)	1	EA		

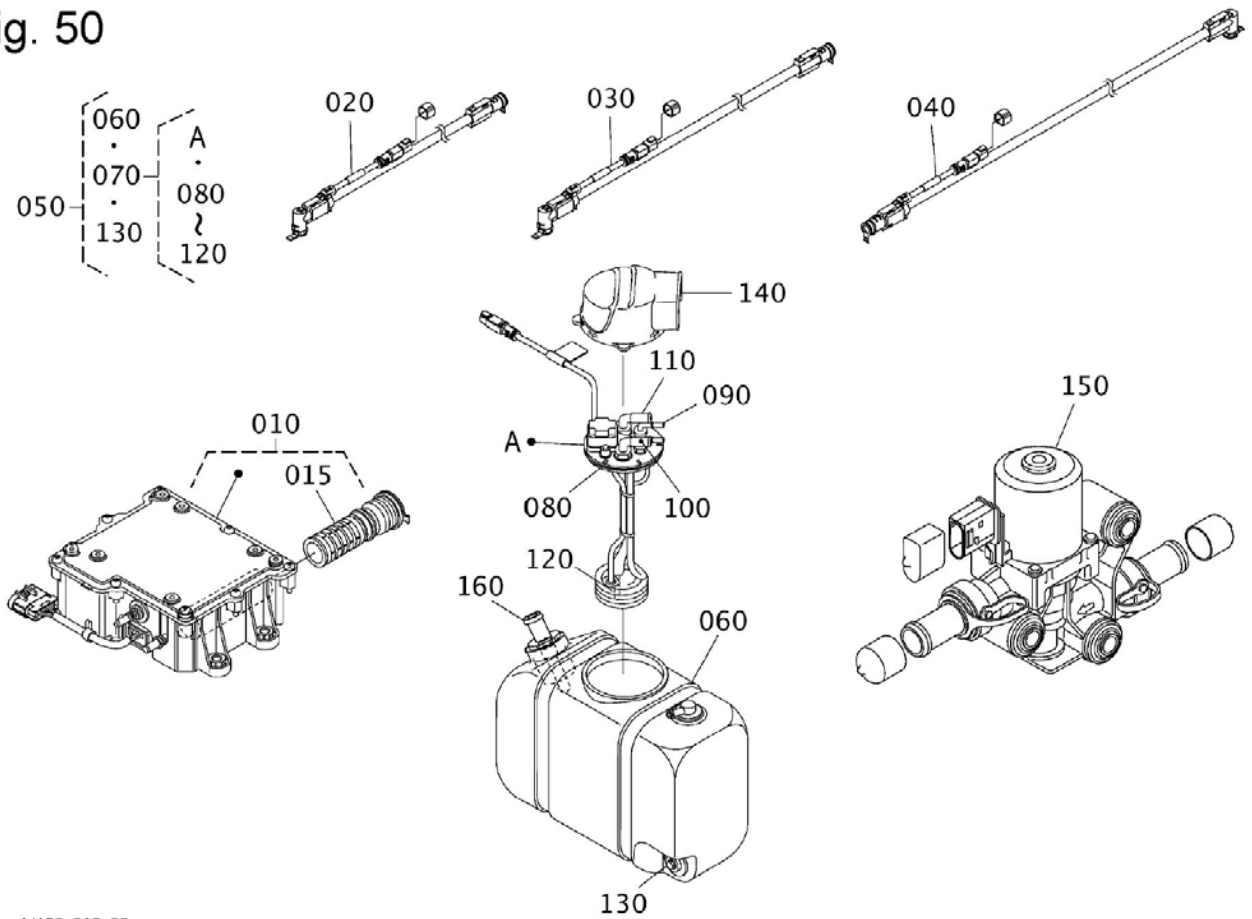
Fig. 49



1J480-011-10

Item	Part No.	Name	Qty	Uom	Remarks	Serial Number
10	K1H057-59090	SUB ASSY, ECU	1	EA		

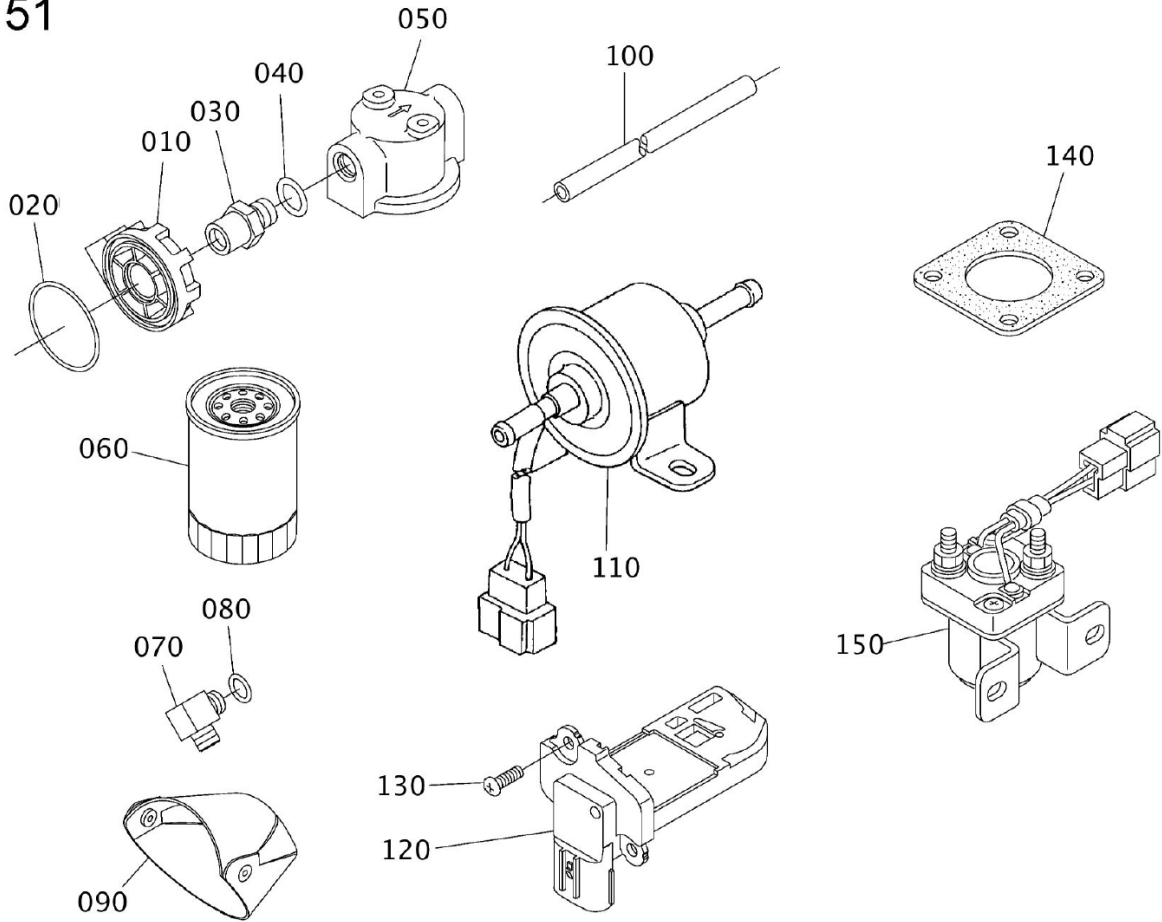
Fig. 50



1J480-012-20

Item	Part No.	Name	Qty	Uom	Remarks	Serial Number
10	K1J508-19653	PUMP, hydraulic	1	EA		
15	K1J508-19660	FILTER ASSY DEF PUMP	1	EA		
20	K1J303-19550	HOSE	1	EA		
30	K1E506-19560	HOSE	1	EA		
40	K1J303-19570	HOSE	1	EA		
50	K1J303-19800	TANK ASSY DEF	1	EA		
60	K1J481-19880	TANK DEF	1	EA		
70	K1E506-19870	HEADER	1	EA		
80	K1J508-19890	GASKET	1	EA		
90	K1J508-19900	JOINT ASSY	1	EA		
100	K1J508-19910	JOINT ASSY	1	EA		
110	K1J508-19920	JOINT ASSY	2	EA		
120	K1J508-19990	FILTER	1	EA		
130	K1J508-19830	PLUG ASSY	1	EA		
140	K1J508-19860	COVER	1	EA		
150	K1J508-19600	VALVE ASSY	1	EA		
160	K1J508-19630	CAP	1	EA		

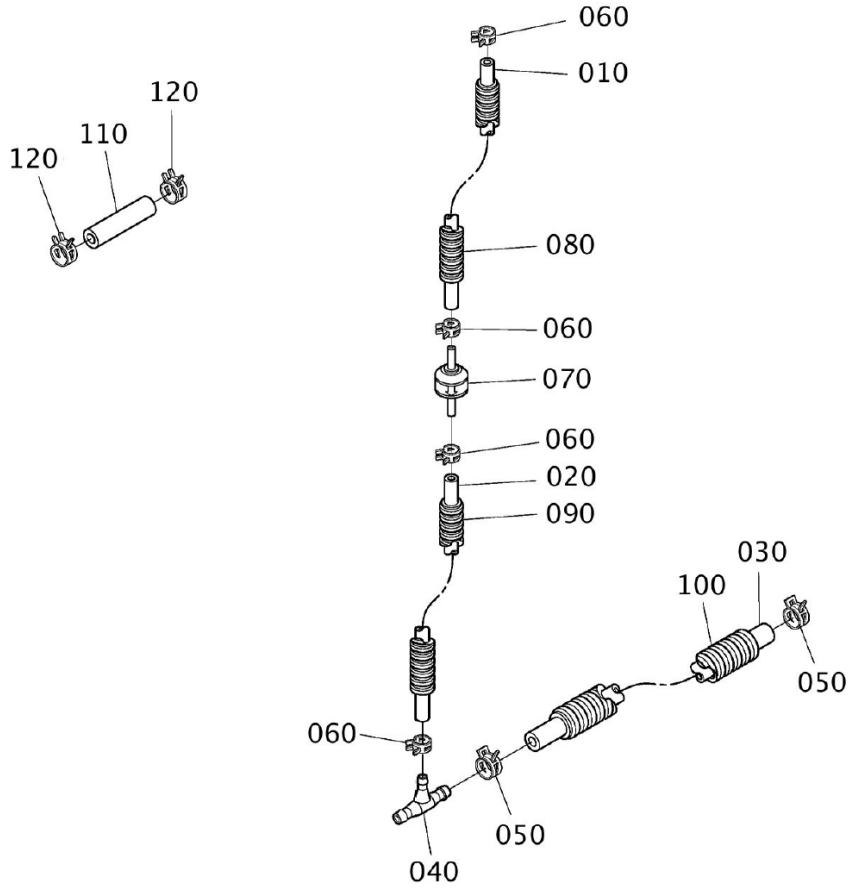
Fig. 51



1G381-113-32

Item	Part No.	Name	Qty	Uom	Remarks	Serial Number
10	K1K946-32610	ADAPTER,OIL FILTER	1	EA		
20	K19202-96830	O-RING	1	EA		
30	K1K946-32370	PLUG, oil filter	1	EA		
40	K04817-07220	O-RING	1	EA		
50	K1K946-32630	BASE OIL FILTER	1	EA		
60	KHH1C0-32430	FILTER, oil (CARTRIDGE)	1	EA		
70	KMR003-40410	JOINT PIPE	1	EA		
80	K04817-00180	O-RING	1	EA		
90	K1J303-75810	INSULATION TUBE	1	EA		
100	K09661-70650	TUBE, fuel (7.3X12.5X650L)	1	EA		
110	K1G938-52033	PUMP, feed	1	EA		
120	K1J520-10700	SENSOR	1	EA		
130	K03054-50412	SCREW,PAN HEAD	2	EA		
140	K1J520-12230	GASKET MUFFLER	1	EA		
150	K3N300-75210	RELAY	1	EA		

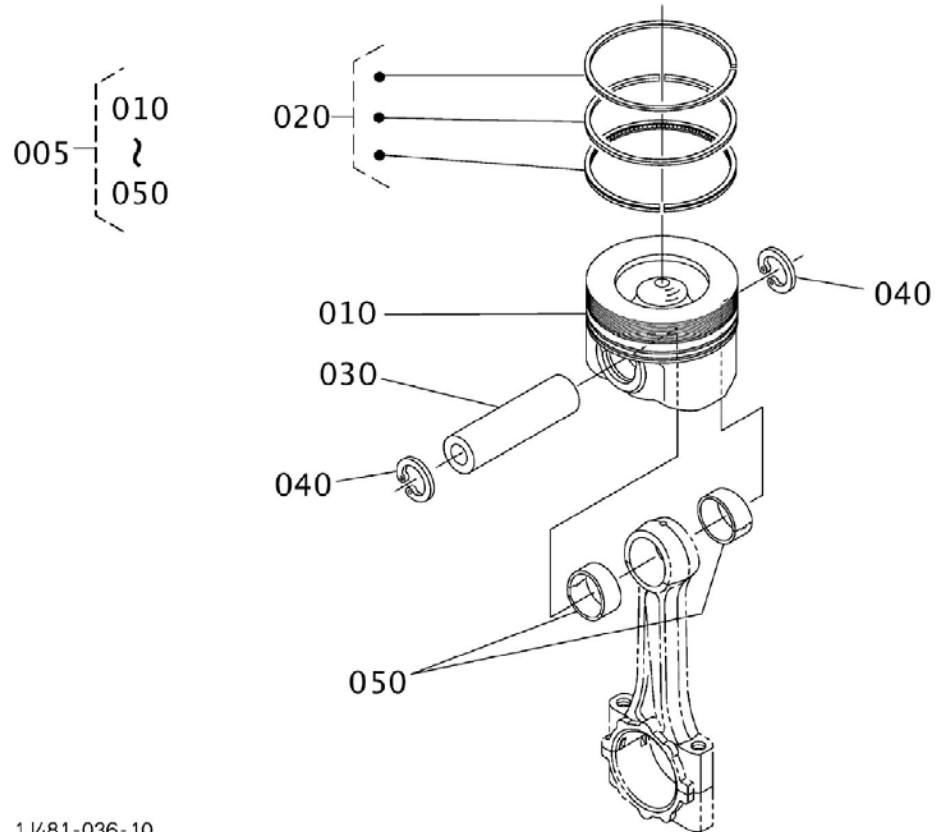
Fig. 52



1J500-008-31

Item	Part No.	Name	Qty	Uom	Remarks	Serial Number
10	K1J301-42112	TUBE, fuel	1	EA		
20	K1G565-42120	TUBE, fuel (140 MM)	1	EA		
30	K1J303-42110	TUBE, fuel	1	EA		
40	K5H833-77242	JOINT	1	EA		
50	K14911-42750	CLIP,PIPE	2	EA		
60	K16241-42320	BAND,PIPE	4	EA		
70	K1C010-42460	VALVE	1	EA		
80	K1J303-42210	TUBE PIPE	1	EA		
90	K1J301-42210	TUBE(PIPE)	1	EA		
100	K1J303-42220	TUBE PIPE	1	EA		
110	K3T200-42110	TUBE, fuel	1	EA		
120	K14911-42750	CLIP,PIPE	2	EA		

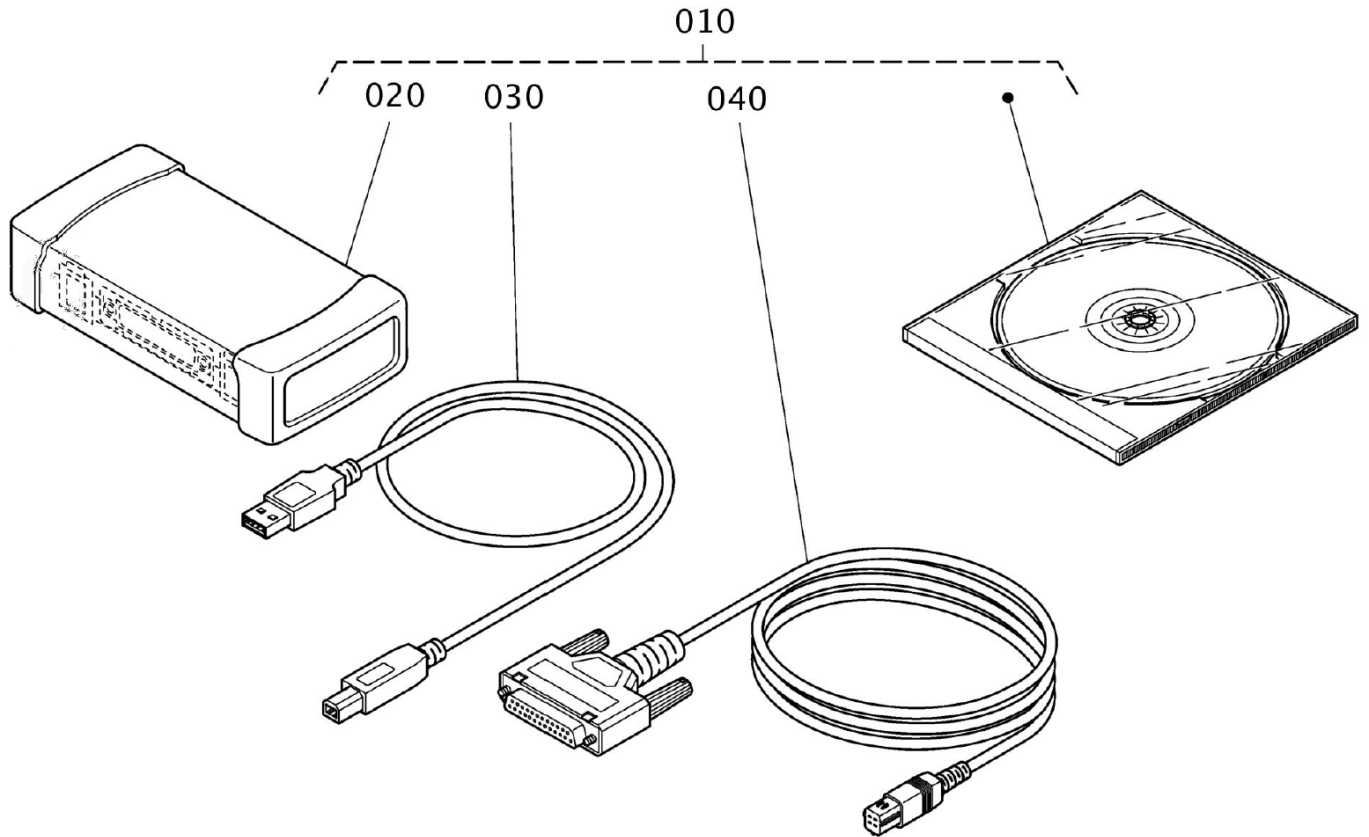
Fig. 54



1J481-036-10

Item	Part No.	Name	Qty	Uom	Remarks	Serial Number
5	K1J508-21770	KIT, piston	4	EA		
5	K1J508-21780	KIT, piston	4	EA		
10	K1J508-21110	PISTON	4	EA		
10	K1J508-21910	PISTON	4	EA		
20	K1J508-21050	RING PISTON	4	EA		
20	K1J508-21090	RING PISTON	4	EA		
30	K1J550-21310	PIN PISTON	4	EA		
40	K04611-00300	CIRCLIP (INTERNAL)	8	EA		
50	K1J574-21982	BUSH, PISTON PIN	8	EA		

Fig. 55



1J574-025-14

Item	Part No.	Name	Qty	Uom	Remarks	Serial Number
10	PNNA	KIT TOOL	1	EA		
20	K1J423-90200	INTERFACE	1	EA		
30	K1J423-90310	CABLES, UBS	1	EA		
40	K1J423-90320	CABLE, VEH	1	EA		



Item	Part No.	Name	Qty	Uom	Remarks	Serial Number
-	PNNA	TL12V2 BUCKETS-BLADES-ATTACHMENTS		EA		
-	BTL1280	BUCKET (80" SMOOTH)(WITH BOLT-ON BLADE)	1	EA		
-	BTL1280T	BUCKET (80" TOOTH)	1	EA		
-	ABLU-84S-100	BUCKET (84" SMOOTH/HIGH CAPACITY)(HD DIRT)	1	EA		
-	ABLU-84T-100	BUCKET (84" TOOTH/HIGH CAPACITY)(HD DIRT)	1	EA		
-	BPL12008	8' BLADE ASSY. TL150	1	EA		
-	BTLPF48	FORK ASSY., HEAVY DUTY 48" TL130/140/150	1	EA		



615
MODEL: TL12V2

Item	Part No.	Name	Qty	Uom	Remarks	Serial Number
-	3100003	4' HEATER CORD W/ELEMENT (#3600023 IS CORD ONLY)		EA		



TL12V-2 RECOMMENDED STOCK LIST

FILTERS			
QUANTITY	PART NUMBER	DESCRIPTION	SERIAL BREAK (if applicable)
2	1551103900	FILTER (HYDRAULIC)	
4	KHH1C0-32430	OIL FILTER (CARTRIDGE)	
4	K1J301-43170	FUEL FILTER	
4	K16631-43560	ELEMENT,FUEL FILTER	
4	1911262102	AIR FILTER (OUTER)	
2	1911262101	AIR FILTER (INNER)	
2	K1J770-05810	KIT, ELEMENT	
SEAL KITS			
QUANTITY	PART NUMBER	DESCRIPTION	SERIAL BREAK (if applicable)
2	1900104999	KIT, seal (BUCKET CYLINDER)	
1	1900100799	KIT, seal (HYDRAULIC CYLINDER)	
2	1900120299	KIT, seal (ARM CYLINDER)	
MISC			
QUANTITY	PART NUMBER	DESCRIPTION	SERIAL BREAK (if applicable)
2	1700100072	SWITCH, starter (KEY)	
10	1700100019	KEY (QTY 2 = 1 KEYS)	
2	1703000030	WORK LIGHT	
2	K1G377-74110	FAN (COOLING)	
2	K1G377-97010	BELT (FAN)	
2	0691600011	SPROCKET	
2	0694000161	HOSE, radiator (LOWER)	
2	0694000163	HOSE, radiator (UPPER)	

Item	Part No.	Name	Qty	Uom	Remarks	Serial Number
1	1551103900	FILTER (HYDRAULIC)	2	EA		
2	KHH1C0-32430	FILTER, oil (CARTRIDGE)	4	EA		
3	K1J301-43170	FILTER, fuel (FOR AFTERMARKET SEE #AFK1J301-43170)	4	EA		
4	K16631-43560	ELEMENT, fuel filter	4	EA		
5	1911262102	AIR FILTER (OUTER)	4	EA		
6	1911262101	AIR FILTER (INNER)	2	EA		
7	K1J770-05810	KIT, element	2	EA		
8	1900104999	KIT, seal (BUCKET CYLINDER)	2	EA		
9	1900100799	KIT, seal (HYDRAULIC CYLINDER)	1	EA	(DOES NOT INCLUDE WEAR RINGS)	
10	1900120299	KIT, seal (ARM CYLINDER)	2	EA		
11	1700100072	SWITCH, starter (KEY)	2	EA		
12	1700100019	KEY (QTY 2 = 1 KEYS)	10	EA		
13	1703000030	LAMP ASSY	2	EA		
14	K1G377-74110	FAN (COOLING)	2	EA		
15	K1G377-97010	BELT, fan	2	EA		
16	0691600011	SPROCKET (SEE NOTES FOR MATCHING TRACK PART #'S)	2	EA	FOR MODELS: TL12V/R-2; MATCHING TRACK FOR #ATTL12VTAK, #ATTL12TAKSB & 1914099830	
17	0694000161	HOSE, radiator (LOWER)	2	EA		
18	0694000163	HOSE, radiator (UPPER)	2	EA		

TAKEUCHI®

Those in the know, know Takeuchi



Takeuchi Fleet Management Component Guide

Version: 1

Release Date 08/01/2016

Components

Monitoring Unit: M8HBI



Antenna Excavators: Dome Antenna

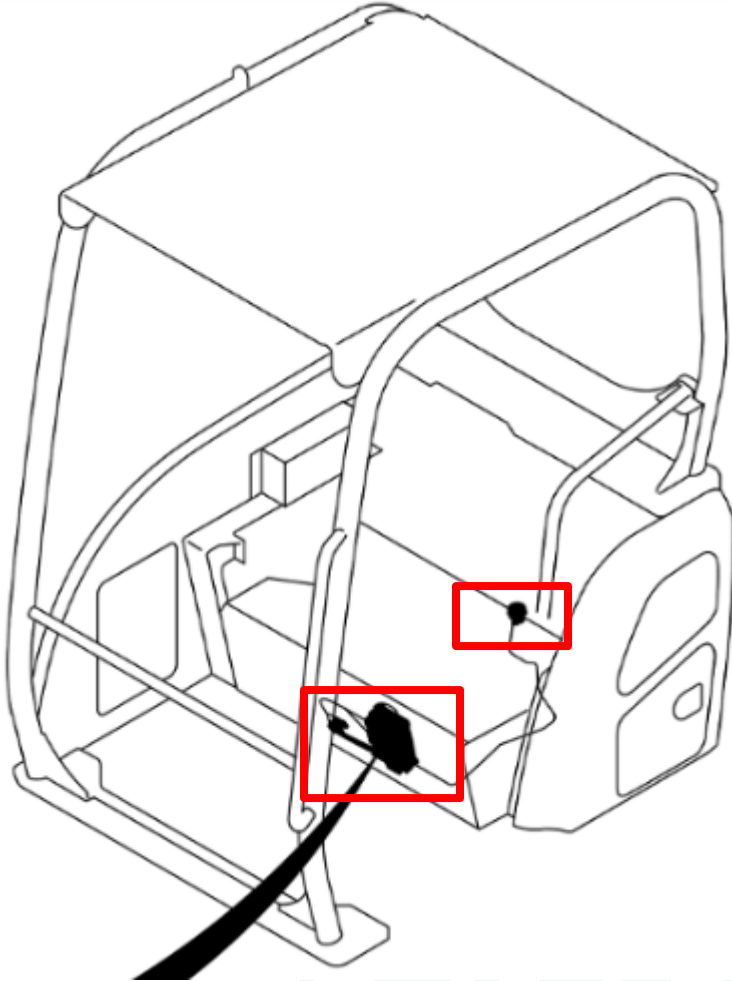


Antenna Track Loaders: Chocolate Bar Style Antenna

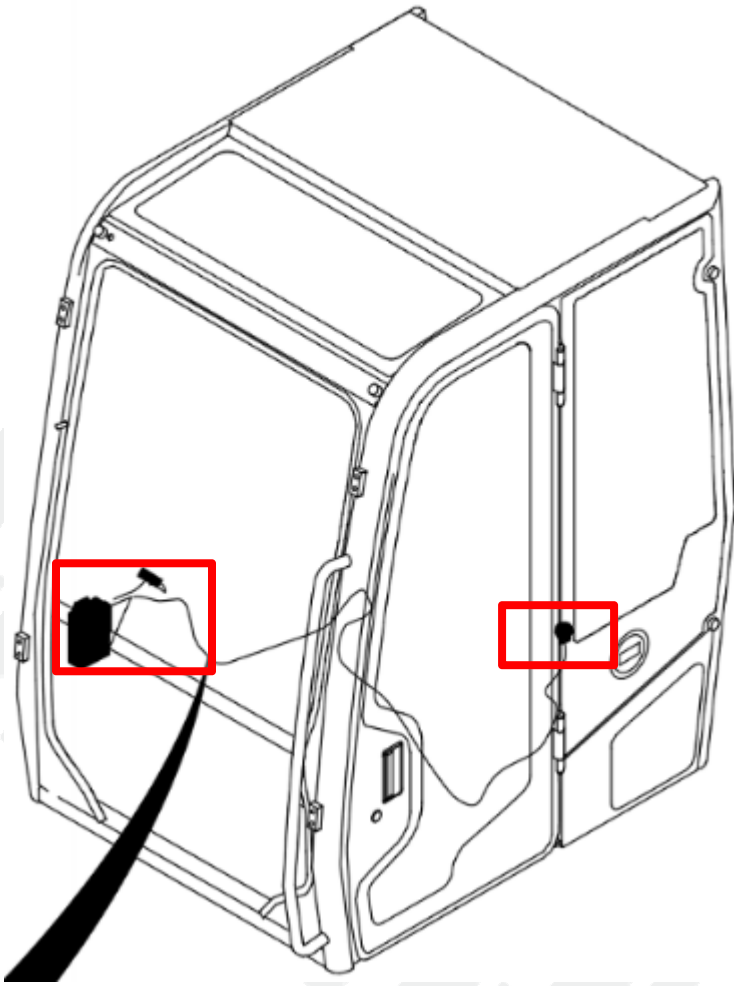


Components Location Excavators

The monitoring unit is located behind the steel access panel under the operator's seat. The antenna is located in the plastic panel in the safety lever lock. (TB230, TB240 Canopy, TB260 Canopy)

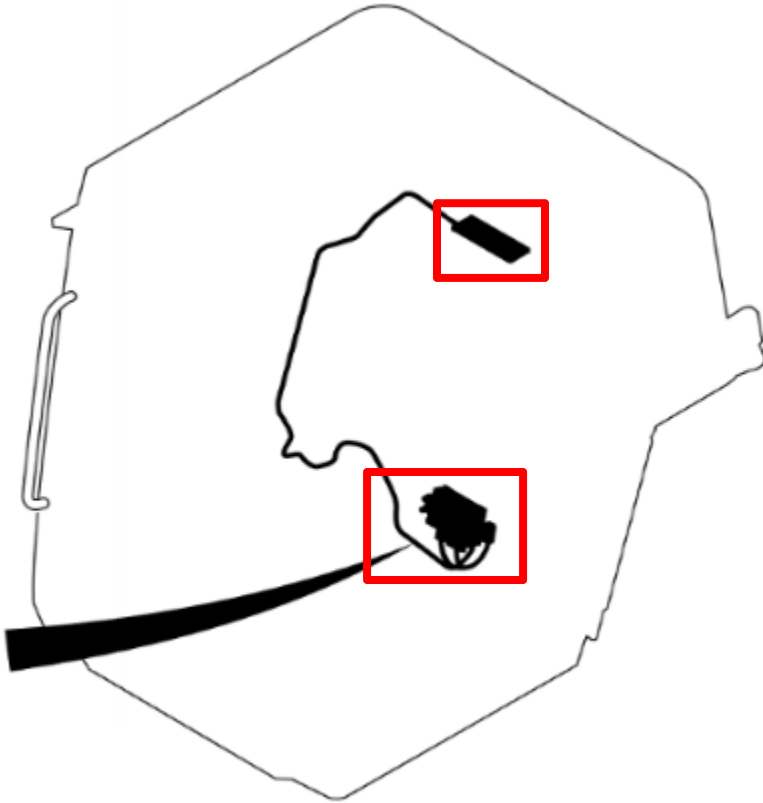


The monitoring unit is located behind the plastic panel in the operator's station. The antenna is located in the plastic panel in the safety lever lock.
(TB260 Cab, TB290, TB280FR)

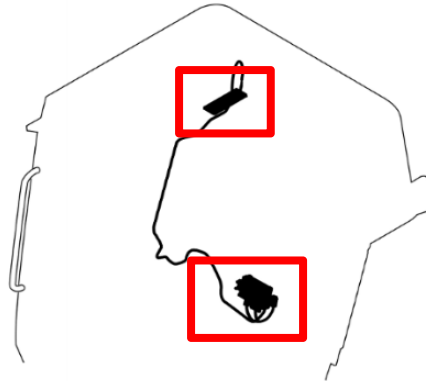


Components Location Track Loaders

The monitoring unit is located under the cab in the engine room (tilting the cab is required to gain access). The antenna is located inside the cab behind the operator's seat. (TL8 Canopy, TL10 Canopy, TL12 Canopy, TL12V2 Canopy)



The monitoring unit is located in the same location for cab units. The antenna on the cab is located inside the cab behind the operator's seat in a slightly different location.



Troubleshooting

Monitoring Unit Troubleshooting Guide		
Problem/Symptom	Probable Cause	Correct Action Required
Monitoring Unit Does not Power On	Pin Connector Loose	Ensure pin connector is full inserted and latch engaged.
	Power Connection Incorrectly Wired	Monitoring unit must have a continuous power connection. Observe monitoring unit LEDs - *Refer to LED Status Indicator.*
	Faulty Harness	Inspect harness for pinched or shorted wires
Monitoring Unit Does Not Check In/Not Available on Map	M8 is Not Powering On	Refer to probable cause above.
	Unit is not Activated	Contact Jonathan Martinez to confirm the monitoring unit is activated. Email: jmartinez@takeuchi-us.com Cell: (706)-429-7061
	Monitoring Unit is Damaged	Contact Jonathan Martinez to confirm the warranty process. Email: jmartinez@takeuchi-us.com Cell: (706)-429-7061
	Antenna Cables Faulty or Damaged Connections	Inspect for damage and proceed with warranty process as mentioned above.
	Antenna Cables Swapped	Ensure antenna cables are installed in the designated connectors

The monitoring unit is equipped with two Status LEDs*, one for COM (cellular network status) and one for GPS. The LEDs use the following blink patterns to indicate service:

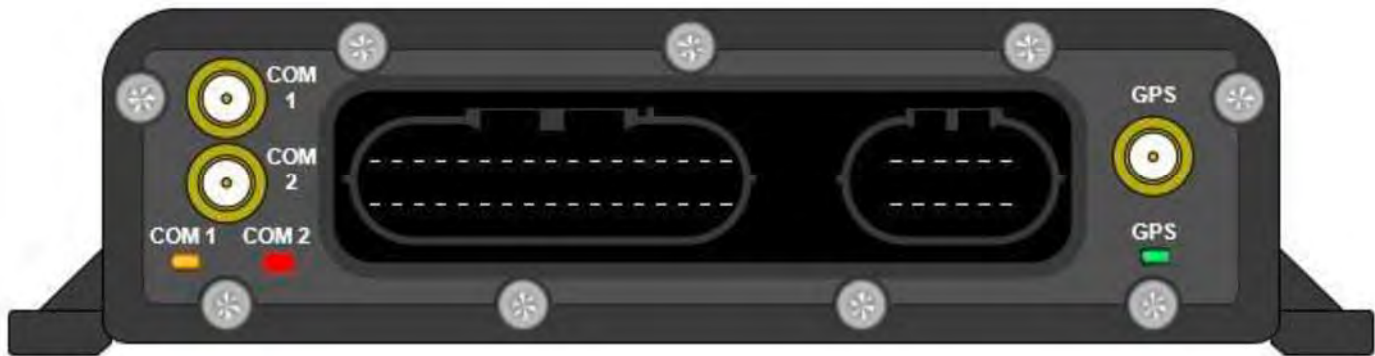
COM 1 “Cellular” LED (Orange) Definitions

Condition	LED
Modem Off	Off
Com On – Searching	Slow Blinking
Network Available	Fast Blinking
Registered but no Inbound Acknowledgement	Alternates from Solid to Fast Blink every 1 second
Registered and Received Inbound Acknowledgement (Properly Activated)	Solid

GPS LED (Green) Definitions

Condition	LED
GPS Off	Off
GPS On	Slow Blinking
GPS Time Sync	Fast Blinking
GPS Fix (Properly Activated)	Solid

LED Status Indicators



Antenna Connections



Should you have any further questions outside of this guide please contact Jonathan Martinez at:

Email: jmartinez@takeuchi-us.com

Cell: (706)-429-7061

TFM Fuse Details

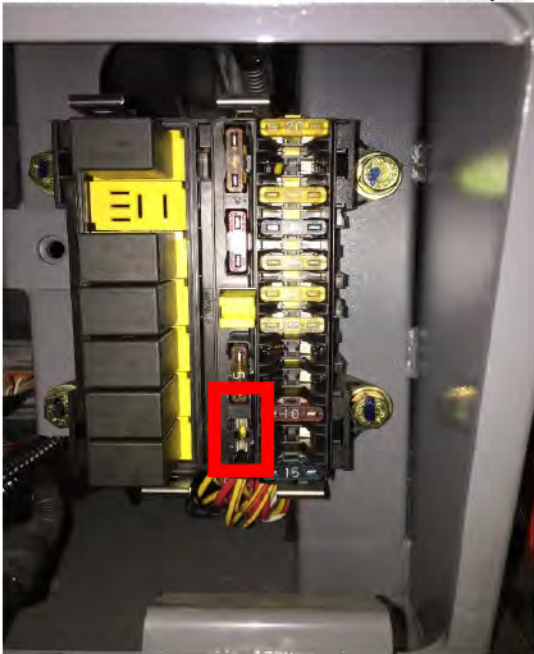
TB230 TB240 TB260 Uninstalled Fuse Example



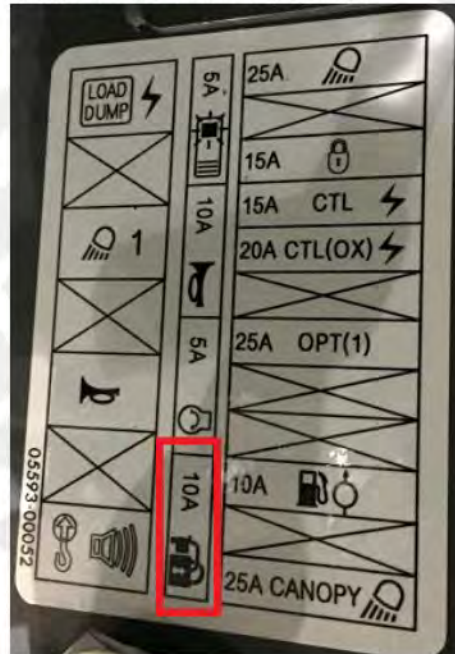
TB230 TB240 TB260 Uninstalled Fuse Example Cover Open



TB230 TB240 TB260 Uninstalled Fuse Example 2 Cover Open



TB230 TB240 TB260 Fuse Detail



TB290 Uninstalled Fuse Example



TB290 Uninstalled Fuse Example Cover Open



TB290 Fuse Detail



TB2150 Uninstalled Fuse Example



TB2150 Uninstall Fuse Example Cover Open



TB2150 Fuse Detail

25A				10A OPT(12V)
10A			10A	
15A OPT(2)			10A	
10A OPT(1)			3A 	
25A CAB			25A	
10A			30A	
10A	5A OPT(12V)	20A		
20A		15A	30A	
10A		5A	10A	
20A		3A	10A	

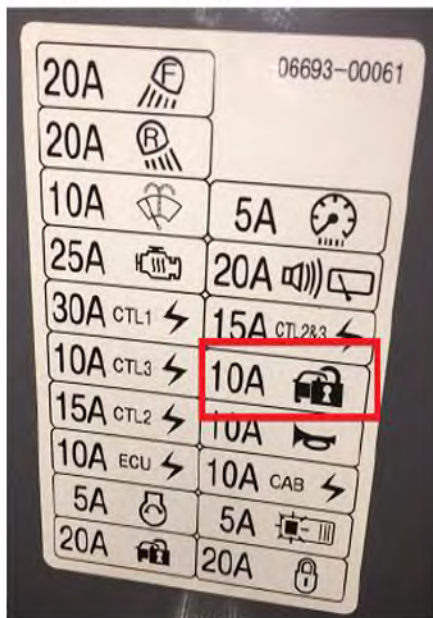
TL8 Uninstalled Fuse Example



TL8 Uninstalled Fuse Example Cover Open



TL8 Fuse Detail



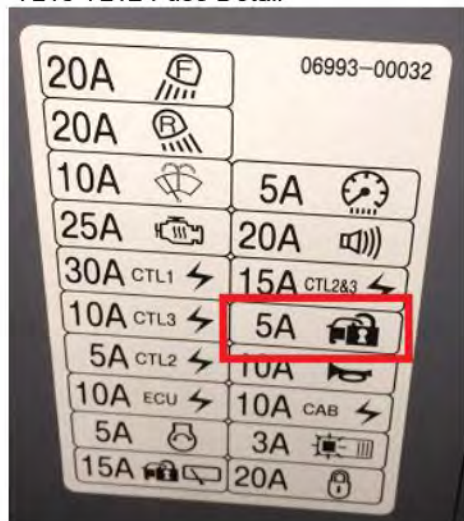
TL10 TL12 Uninstalled Fuse Example



TL10 TL12 Uninstalled Fuse Example Cover Open



TL10 TL12 Fuse Detail



TL10V2 TL12R2 TL12V2 Uninstalled Fuse Example



TL10V2 TL12R2 TL12V2 Uninstallle Fuse Example Cover Open



TL10V2 TL12R2 TL12V2 Fuse Detail

			ECU	MAIN RELAY (ECU)					DEF HEATER		
25A	25A	5A	30A	5A	25A	10A	20A	10A	30A	20A	5A
30A	OPT	3A					3A				

New TL Undercarriage Track Kits

These kits are an undercarriage and track combo package for our track loaders. Kits will be available in OEM or Aftermarket sets. The kit will include a complete set of track rollers, rear rollers, front idlers, sprockets and a set of tracks.

Our new kits will help you prepare your customers for a full undercarriage replacement, or to stock and pull parts as needed. We offer unique packaging for the undercarriage set that is easy to identify and stock.

Aftermarket

OEM

Part Number	Style*	List Price	Part Number	Style*	List Price
AFTL8UC-KIT	CL	\$4,797.52	OEMTL8UC-KIT	FB	\$8,613.74
AFTL8WUC-KIT	CL, W	\$5,129.82	OEMTL8UCW-KIT	FB, W	\$9,178.99
AFTL8SWUC-KIT	SW	\$4,853.16	OEMTL10UC-KIT	FB	\$10,274.06
AFTL10UC-KIT	CL	\$6,491.94	OEMTL12UC-KIT	FB	\$11,660.72
AFTL10SWUC-KIT	SW	\$6,516.46	OEMTL12V2UC-KIT	FB	\$12,912.46
AFTL12UC-KIT	CL	\$7,070.32			
AFTL12SWUC-KIT	SW	\$7,093.56			

Track Pattern Style

- *FB = Flat Block
- *SB = Straight Bar
- *SW = S Wave
- *CL = C Lug
- *W = Wide, 15"

More kits coming soon for new models!

TL10V2 OEM and Aftermarket
TL12V2 Aftermarket

All kits will ship free freight!

Discounted prices on these kits is a very economical option for the cost conscious customer. All kits are backed by our 12 months pro rata warranty policy. You can add the kit to a stock order, and receive tier benefits.



*Free freight refers to shipping of best way from Takeuchi in the most cost effective manner. Orders must be placed online. To receive free freight select stock order at check out. Offer cannot be combined with any other Takeuchi offers. Collect customers will be excluded from any free freight offers from Takeuchi including but not limited to stock orders, track orders, or any other free freight programs or promotions.

Account must be current and in good standing. ***Pricing subject to change***

Contact Takeuchi Parts Department for more information. **(706-693-3697)**

TL12/TL150/TL250 UNDERCARRIAGE TRACK KITS

Track Pattern Style

- *FB = flat block
- *SB = straight bar
- *SW = S wave
- *CL = C lug
- *W = wide, 15"

OEM

Part Number	Style*	List Price
OEMTL12UC-KIT	FB	\$11,660.72

OEM TL12 Kit Includes:

Model	Part Number	Description	Qty
TL150/TL250/TL12	0881130500	TRACK ROLLER ASSY	10
TL150/TL250/TL12	0881131300	ROLLER REAR	2
TL150/TL250/TL12	0881140300	FRONT IDLER	2
TL150/TL250/TL12	0881160110	SPROCKET	2
TL150/TL250/TL12	1914099320	TRACK RUBBER TL12/150/250 AGGRESSIVE BAR	2

OEM

Part Number	Style*	List Price
OEMTL12V2UC-KIT	FB	\$12,912.46

OEM TL12V2 Kit Includes:

Model	Part Number	Description	Qty
TL12V2	0881130500	TRACK ROLLER ASSY	10
TL12V2	0881131300	ROLLER REAR	2
TL12V2	0881140300	FRONT IDLER	2
TL12V2	0691600011	SPROCKET	2
TL12V2	1914099830	TRACK RUBBER TL12V2 FLAT BLOCK	2

AFTERMARKET

Part Number	Style*	List Price
AFTL12UC-KIT	CL	\$7,070.32

Aftermarket TL12 Kit Includes:

Model	Part Number	Description	Qty
TL150/TL250/TL12	AU0881130500	ROLLER ASSY TRACK AFTERMARKET	10
TL150/TL250/TL12	AU0881131300	ROLLER REAR AFTERMARKET	2
TL150/TL250/TL12	AU0881140300	IDLER FRONT AFTERMARKET	2
TL150/TL250/TL12	AU0881160110	SPROCKET AFTERMARKET	2
TL150/TL250/TL12	ATTL150TAK	TRACK RUBBER TL12/150/250 AFTERMARKET	2

AFTERMARKET

Part Number	Style*	List Price
AFTL12SWUC-KIT	SW	\$7,093.56

Aftermarket TL12 S-Wave Track Kit Includes:

Model	Part Number	Description	Qty
TL150/TL250/TL12	AU0881130500	ROLLER ASSY TRACK AFTERMARKET	10
TL150/TL250/TL12	AU0881131300	ROLLER REAR AFTERMARKET	2
TL150/TL250/TL12	AU0881140300	IDLER FRONT AFTERMARKET	2
TL150/TL250/TL12	AU0881160110	SPROCKET AFTERMARKET	2
TL150/TL250/TL12	ATTL150SW	TRACK RUBBER TL12/150/250 AFTERMARKET S-WAVE	2

Appendix A:Pages Index	
ACCESSORIES AND SERVICE PARTS	603, 605, 607
AIR CLEANER FLANGE AND THROTTLE VALVE	565
AIR CONDITIONER (1/4) (compressor)	301
AIR CONDITIONER (2/4) (condenser)	303
AIR CONDITIONER (3/4) (air conditioner unit)	307
AIR CONDITIONER (4/4)	311
ALTERNATOR (COMPONENT PARTS)	541
ALTERNATOR AND PULLEY	539
ARM 1	313
ARM 2	315
BATTERY	85
BEARING CASE COVER	521
BLOCK HEATERS	615
BREATHER PIPE/SEPARATOR	591
BUCKET CYLINDER (L.H.)	475
BUCKET CYLINDER (R.H.)	477
BUCKETS-BLADES-ATTACHMENTS	613
CAB (1/3) 1	267
CAB (1/3) 2	269
CAB (1/3) 3	271
CAB (1/3) 4	273
CAB (2/3) (for U.S.) (front door) 1	275
CAB (2/3) (for U.S.) (front door) 2	279
CAB (3/3) (for U.S.) (side sash)	283
CAB INTERIOR	285
CAB MOUNT	265
CAMSHAFT AND IDLE GEAR SHAFT	519
CANOPY (for U.S.) 1	257
CANOPY (for U.S.) 2	259
CANOPY (for U.S.) 3	261
CANOPY INTERIOR	263
CANOPY MOUNT	255
COMMON RAIL	537
CONTROL VALVE (high flow) 1	439
CONTROL VALVE (high flow) 2	443
CONTROL VALVE 1	431
CONTROL VALVE 2	435
COVER (1/4)	227
COVER (1/4) (with rear view camera)	231
COVER (2/4) (center cover)	235
COVER (3/4) (rear door)	237
COVER (4/4) (engine hood)	239
CRANK CASE	501
CRAWLER BELT (for US)	19
CYLINDER HEAD	507
DECAL (cab) (English) 1	407
DECAL (cab) (English) 2	411
DECAL (canopy) (English) 1	399
DECAL (canopy) (English) 2	403
DECAL (foot accelerator)	415
DECAL (high flow)	417
DECAL (hydraulic quick hitch type)	423
DECAL (lever operation)	419
DECAL (pattern change)	421
DIAGMASTER (OPTION)	611
DIESEL PARTICULATE FILTER MUFFLER	575
DIESEL PARTICULATE FILTER MUFFLER (COMPONENT PARTS)	577
DIPSTICK AND GUIDE	505
DPF CLEANING ORDER FORM - REV 021418	581
DPF CLEANING PROGRAM REV 021418	579
ECU	601
EGR COOLER	571
EGR VALVE	569
ELECTRICAL (1/2) 1	61
ELECTRICAL (1/2) 2	63
ELECTRICAL (1/2) 3	67
ELECTRICAL (1/2) 4	71
ELECTRICAL (1/2) 5	73
ELECTRICAL (2/2)	75
ELECTRICAL (cab)	79
ELECTRICAL (cab) (with 2nd aux. line)	81
ELECTRICAL (canopy)	77
ELECTRICAL PROPORTION VALVE; 1 BLOCK	463
ELECTRICAL PROPORTION VALVE; 2 BLOCKS	465, 467
ELECTRICAL WIRING	551
ENGINE & ACCESSORIES (1/3) 1	41
ENGINE & ACCESSORIES (1/3) 2	47
ENGINE & ACCESSORIES (1/3) 3	51
ENGINE & ACCESSORIES (2/3)	55
ENGINE & ACCESSORIES (3/3)	57
EXHAUST MANIFOLD	567
FAN AND PULLEY	561
FLOOR FRAME	241
FLYWHEEL	523
FOOT ACCELERATOR	59
FRAME	21
FRONT IDLER (for US) (412000006-412000578)	11
FRONT IDLER (for US) (412000579-)	13
FUEL FILTER	527, 529
FUEL TANK & FUEL PIPING (1/2) 1	221
FUEL TANK & FUEL PIPING (1/2) 2	223
FUEL TANK & FUEL PIPING (2/2)	225
FUEL TUBE	531
GEAR CASE	515
GEAR PUMP	497
GEAR PUMP (high flow)	499
GPS DEVICE	83
HANDLE (with 5 switch)	453
HANDLE (with slide switch)	451
HEAD COVER	513
HYDRAULIC PUMP 1	487
HYDRAULIC PUMP 2	489
HYDRAULIC PUMP 3	491
HYDRAULIC PUMP 4	493
HYDRAULIC PUMP 5	495
HYDRAULIC TANK	217
INJECTION PIPE	535
INJECTOR HARNESS	549
INLET MANIFOLD	563

INLET VALVE AND EXHAUST VALVE	509	PIPING; ARM (1/2) (with ride control) 3	353
LIFT ARM CYLINDER	473	PIPING; ARM (1/2) 1	339
MUFFLER SENSOR	582	PIPING; ARM (1/2) 2	343
OIL COOLER	597	PIPING; ARM (1/2) 3	345
OIL FILTER	599	PIPING; ARM (2/2)	355
OIL PAN	503	PIPING; ARM (2/2) (high flow)	373
OIL PIPE (TURBO CHARGE)	595	PIPING; ARM (2/2) (high flow) (with 3/4 coupler)	397
OIL SEPARATOR	593	PIPING; ARM (2/2) (high flow) (with coupler)	389
PAINTED COLOR	427	PIPING; OPERATION LEVER (ISO-H pattern) 1	31
PILOT VALVE (L.H.)	449	PIPING; OPERATION LEVER (ISO-H pattern) 2	35
PILOT VALVE (R.H.)	447	PIPING; OPERATION LEVER (ISO-H pattern) 3	37
PIPING (high flow) (with 2nd aux. line) 1	189	PIPING; OPERATION LEVER 1	25
PIPING (high flow) (with 2nd aux. line) 2	191	PIPING; OPERATION LEVER 2	29
PIPING (high flow) (with 2nd aux. line) 3	195	PISTON AND CRANKSHAFT	517
PIPING (high flow) (with parking brake) 1	205	PISTON KIT (OPTION)	609
PIPING (high flow) (with parking brake) 2	207	PRESSURE PIPE	585
PIPING (high flow) (with parking brake) 3	211	PUMP DRIVE	213
PIPING (high flow) (with ride control) 1	197	PUMP DRIVE (high flow)	215
PIPING (high flow) (with ride control) 2	199	QUICK HITCH	319
PIPING (high flow) (with ride control) 3	203	QUICK HITCH (hydraulic type) (high flow) (with 3/4 coupler) 1	333
PIPING (high flow) 1	181	QUICK HITCH (hydraulic type) (high flow) (with 3/4 coupler) 2	337
PIPING (high flow) 2	183	QUICK HITCH (hydraulic type) (high flow) (with coupler) 1	327
PIPING (high flow) 3	187	QUICK HITCH (hydraulic type) (high flow) (with coupler) 2	331
PIPING (with ride control) 1	173	QUICK HITCH (hydraulic type) 1	321
PIPING (with ride control) 2	175	QUICK HITCH (hydraulic type) 2	325
PIPING (with ride control) 3	179	QUICK HITCH CYLINDER (412000006-412000518)	479
PIPING 1	165	RADIO	89
PIPING 2	167	REAR MIRROR	299
PIPING 3	171	REAR VIEW CAMERA	91
PIPING; ARM (1/2) (high flow) (hydraulic quick hitch type) (with 2nd aux. line) 1	357	RECOMMENDED STOCK LIST (TL12V-2)	617
PIPING; ARM (1/2) (high flow) (hydraulic quick hitch type) (with 2nd aux. line) 2	361	RESERVE TANK	559
PIPING; ARM (1/2) (high flow) (hydraulic quick hitch type) (with 2nd aux. line) 3	363	ROCKER ARM SHAFT	511
PIPING; ARM (1/2) (high flow) (with 3/4 coupler) 1	391	ROOF GUARD	297
PIPING; ARM (1/2) (high flow) (with 3/4 coupler) 2	393	SAFETY BAR	253
PIPING; ARM (1/2) (high flow) (with 3/4 coupler) 3	395	SEAT (1/2)	245
PIPING; ARM (1/2) (high flow) (with coupler) (with ride control) (with 2nd aux. line) 1	383	SEAT (2/2)	247
PIPING; ARM (1/2) (high flow) (with coupler) (with ride control) (with 2nd aux. line) 2	385	SEAT BELT	249
PIPING; ARM (1/2) (high flow) (with coupler) (with ride control) (with 2nd aux. line) 3	387	SEAT SWITCH	251
PIPING; ARM (1/2) (high flow) (with coupler) 1	377	SELECTIVE CATALYTIC REDUCTION MUFFLER	587
PIPING; ARM (1/2) (high flow) (with coupler) 2	379	SELECTIVE CATALYTIC REDUCTION MUFFLER BASE	589
PIPING; ARM (1/2) (high flow) (with coupler) 3	381	SELECTOR VALVE (ISO-H pattern)	469
PIPING; ARM (1/2) (high flow) (with ride control) (with 2nd aux. line) 1	365	SEPARATOR	533
PIPING; ARM (1/2) (high flow) (with ride control) (with 2nd aux. line) 2	369	SERVICE TOOL	429
PIPING; ARM (1/2) (high flow) (with ride control) (with 2nd aux. line) 3	371	SHUTTLE VALVE	471
PIPING; ARM (1/2) (with ride control) 1	347	SOLENOID VALVE; 1 BLOCK	457, 459, 461
PIPING; ARM (1/2) (with ride control) 2	351	STARTER	543
		STARTER (COMPONENT PARTS)	545
		SUB VALVE	455
		SUPPLY PUMP	525
		SWITCH (cab)	289
		SWITCH (cab) (high flow)	291
		SWITCH (cab) (high flow) (with ride control)	293
		SWITCH (canopy)	295
		SWITCH/SENSOR	547
		TAKEUCHI FLEET MANAGEMENT COMPONENT GUIDE	619

TFM-FUSE DETAIL 11-18-16	626
TL12-TL150-TL250 UNDERCARRIAGE TRACK KITS	632
TOOL & ACCESSORIES	425
TRACK ADJUSTER	15
TRACK ROLLER (for US) (412000006-412000578)	1
TRACK ROLLER (for US) (412000579-412000918)	3
TRACK ROLLER (for US) (412000919-)	7
TRAVEL DEVICE (for US)	17
TRAVEL MOTOR 1	481
TRAVEL MOTOR 2	483
TRAVEL MOTOR 3	485
TURBO CHARGER	573
VALVE & ACCESSORIES (1/2) (high flow) (2nd aux. line plug type) 1	125
VALVE & ACCESSORIES (1/2) (high flow) (2nd aux. line plug type) 2	127
VALVE & ACCESSORIES (1/2) (high flow) (2nd aux. line plug type) 3	133
VALVE & ACCESSORIES (1/2) (high flow) (2nd aux. line plug type) 4	135
VALVE & ACCESSORIES (1/2) (high flow) (with 2nd aux. line) (with ride control) 1	149
VALVE & ACCESSORIES (1/2) (high flow) (with 2nd aux. line) (with ride control) 2	151
VALVE & ACCESSORIES (1/2) (high flow) (with 2nd aux. line) (with ride control) 3	157
VALVE & ACCESSORIES (1/2) (high flow) (with 2nd aux. line) (with ride control) 4	159
VALVE & ACCESSORIES (1/2) (high flow) (with 2nd aux. line) 1	137
VALVE & ACCESSORIES (1/2) (high flow) (with 2nd aux. line) 2	139
VALVE & ACCESSORIES (1/2) (high flow) (with 2nd aux. line) 3	145
VALVE & ACCESSORIES (1/2) (high flow) 1	115
VALVE & ACCESSORIES (1/2) (high flow) 2	117
VALVE & ACCESSORIES (1/2) (high flow) 3	123
VALVE & ACCESSORIES (1/2) (with ride control) 1	101
VALVE & ACCESSORIES (1/2) (with ride control) 2	103
VALVE & ACCESSORIES (1/2) (with ride control) 3	107
VALVE & ACCESSORIES (1/2) (with ride control) 4	109
VALVE & ACCESSORIES (1/2) 1	93
VALVE & ACCESSORIES (1/2) 2	95
VALVE & ACCESSORIES (1/2) 3	99
VALVE & ACCESSORIES (2/2)	111
VALVE & ACCESSORIES (2/2) (high flow)	161
VALVE BRACKET	23
WATER FLANGE AND THERMOSTAT	555
WATER PUMP	557
WINDOW WASHER	87
WIRE HARNESS BRACKET	553

Appendix B:Parts Index

0001090005	316	0007205005	52
0001324501	316	0007213010	96, 104, 108, 118, 130, 134, 142, 154, 158, 214, 216
0001674002	316	0007213014	168, 176, 184, 192, 200, 208
0002140025	316, 316	0007213028	128, 140, 152
0002400038	314	0007213034	112, 162, 214, 216
0002400065	314	0007213038	108, 112, 134, 158, 162
0002400078	314, 314	0007213061	112, 162
0002727000	474, 474	0007213092	112, 164
0003000082	78, 80	0007224001	52
0003600020	22, 340, 348, 358, 366, 378, 384, 392	0007236044	340, 348, 358, 366, 378, 384, 392
0003600024	250	0007253002	214, 216
0003600025	48, 52, 166, 174, 182, 190, 198, 206, 218, 222, 230, 234, 254, 314, 318, 320, 322, 328, 334	0007253003	216
0003600033	72	0007261006	308
0003600034	322, 328, 334	0007262009	52
0003600036	316	0007300001	302, 322, 328, 334, 340, 348, 358, 366, 378, 384, 392
0003600043	222	0007300003	52
0003600065	316	0007300030	26, 32
0003600079	62	0007300055	32, 38, 52, 304, 308
0003600110	52, 64, 64, 70, 74	0007300065	26, 32, 302, 304
0003600136	48, 94, 102, 116, 126, 138, 150	0007300067	42
0003600160	54	0007300069	26, 30, 32, 36
0003600161	316	0008500050	400, 404, 408, 412
0003600176	316	0011903011	316
0003600211	314	0011903012	316
0003600218	314	0011907008	314
0003600222	302	0011908002	314
0003600223	302	0011909006	314
0003600228	322, 328, 334	0011909007	314
0003600237	318	0068621500	278
0003600273	74	0093208300	254
0003600275	316	0097210300	322, 328, 334
0003606202	68, 92, 304	0331018600	22
0003608003	318	0334340191	264, 286
0003608252	26, 30, 32, 36, 56, 230, 234, 356, 374, 390, 398	0338600134	276
0003610002	322, 328, 334	0339375040	400, 404, 408, 412
0003900037	230, 234	0339376240	402, 406, 410, 414
0003900038	230, 234	0348103450	226
0003900075	214, 216	0354216010	72, 74, 86
0003900095	214, 216	0359300052	402, 406, 410, 414
0004000009	228, 232	0359306600	400, 404, 408, 412
0004012035	240	0359306700	400, 404, 408, 412
0004015002	238	0359313700	400, 404, 408, 412
0007000016	320, 322, 328, 334	0359313900	402, 404, 410, 412
0007000031	218	0359332300	422
0007000112	238	0375000056	168, 168, 176, 176, 184, 184, 192, 192, 200, 200, 208, 208
0007000119	320, 322, 328, 334	0375109110	100, 100, 110, 110, 124, 124, 136, 136, 146, 146, 160, 160
0007200233	374, 390	0377000111	344, 352, 362, 370, 380, 386, 394
0007203017	356, 374, 390, 398	0378219160	240
0007203033	112, 162	0379366006	400, 404, 408, 412
0007203037	376	0398610900	276
0007203068	18	0399300400	402, 406, 410, 414
0007203076	114, 164	0399300500	402, 406, 410, 414
0007203095	18	0541500500	12, 14
		0553500337	240
		0554000318	266

0563218500	242	0687310020	78, 80, 82
0563219700	242	0688000017	218
0564000450	50	0688000020	218
0564200221	92	0688200070	228, 232
0564626010	302	0688200071	228, 232
0564634880	302	0688200142	240
0564634890	302	0688400020	264
0564634895	302	0688400021	264
0566048080	314	0688600018	278
0567320800	340, 344, 348, 352, 358, 362, 366, 370, 378, 380, 384, 386, 392, 394	0688600050	286
0569300090	402, 406, 410, 414	0688600072	286
0573300610	64, 68	0688600073	286
0574207141	76	0688600074	264, 286
0574400990	86	0688600075	286
0575002030	162, 162	0688600076	286
0578600193	270	0688600077	286
0579300052	400, 404, 408, 412	0688600078	264, 286
0579303630	400, 404, 408, 412	0688600081	286
0659300011	400, 404, 408, 412	0688600098	288
0659300012	400, 404, 408, 412	0688600100	286
0659300013	400, 404, 408, 412	0689300018	418
0663405010	252	0689300035	402, 406, 410, 414
0664000310	56	0690100025	430
0664100044	416	0691300016	4, 8
0664300004	242	0691300017	4, 8
0664300110	290, 292, 294	0691300019	4, 8
0664300120	290, 292, 294	0691300020	4, 8
0664300130	424	0691300022	4, 8
0664300140	290, 292, 294	0691300023	4, 8
0664401130	402, 406, 410, 414	0691300025	4, 4, 8, 8
0664603020	302	0691300026	4, 4, 8, 8
0665000007	118, 128, 140, 152	0691400032	14
0665101120	100, 110, 124, 136, 146, 160	0691400033	14
0665101203	100, 100, 110, 110, 124, 124, 136, 136, 146, 146, 160, 160	0691400034	14
0665102120	100, 110, 124, 136, 146, 160	0691500016	16
0666101080	322, 328, 334	0691500017	16
0666101230	322, 328, 334	0691500018	16
0666101590	322, 328, 334	0691500019	16
0666101600	322, 328, 334	0691500028	12
0668200040	240	0691500032	12
0669300024	402, 406, 410, 414	0691500033	12, 14
0669300034	400, 404, 408, 412	0691500034	12, 14
0683400007	250	0691500035	14
0684005350	56	0691500036	14
0684100004	60	0691600011	18, 618
0684200043	68	0693000141	22
0684400006	86	0693000145	22
0684600009	254	0693000238	22
0684600017	254	0693000303	22
0684600020	254	0693000339	22
0684700001	90	0693000411	22
0684700004	90	0693000433	22
0685200080	214, 216	0693000434	22
0687000052	112, 162	0693500026	242
		0693500034	242

0693500044	242	0694200069	64
0693500048	242	0694200071	64
0693500049	242	0694200074	68
0693500076	242	0694200081	68
0693500077	242	0694200094	308
0693500081	242	0694200104	68
0693500090	242	0694200108	76
0693500096	242	0694200132	76
0693500097	242	0694200139	238
0693500099	242	0694200140	238
0693500102	242	0694200161	78, 80, 82
0693500105	242	0694200164	68
0693500108	242	0694200172	84
0693500113	242	0694200173	64
0694000087	42, 48	0694200175	78
0694000092	56	0694200179	62
0694000093	56	0694200182	80, 82
0694000094	56	0694200183	238
0694000095	56	0694200184	238
0694000109	48	0694200185	80, 82
0694000111	48	0694200186	76
0694000139	48	0694200189	68
0694000150	52	0694200191	64
0694000151	52	0694200192	68
0694000157	52	0694200197	68
0694000159	52	0694200199	64
0694000160	52	0694200201	62
0694000161	48, 618	0694200202	62
0694000163	48, 618	0694200203	68
0694000164	52	0694200204	68
0694000166	52	0694200208	64
0694000168	48	0694200218	64
0694000170	52	0694200219	68
0694000204	42	0694200226	68
0694000208	42	0694200233	76
0694000209	42	0694200237	64
0694000226	42	0694200238	64
0694000236	44	0694200266	92
0694000239	44	0694200268	92
0694000241	44	0694200290	76
0694000248	48	0694200311	64, 70, 74
0694000258	52	0694200340	64
0694000267	56	0694200344	64
0694000281	56	0694205212	62
0694000285	42	0694205340	76
0694000288	42	0694205350	68
0694000301	52	0694205685	78, 80, 82
0694000307	42	0694205695	78, 80, 82
0694000312	42	0694300270	264, 286
0694002430	48	0694400002	86
0694002440	48	0694400007	86
0694200019	76	0694400008	86
0694200021	76	0694400019	86
0694200055	68	0694400021	86
0694200067	64	0694400025	86

0694400026	86	0696100025	324, 330, 336
0694400027	86	0696100026	324, 330, 336
0694400028	86	0696100037	320, 322, 328, 334
0694401350	86	0696104300	332, 338
0694600007	302	0696104310	332, 338
0694600009	308	0696104610	332
0694600033	304	0696105120	326
0694600042	304	0696105130	326
0694600057	308	0697000007	182, 190, 198, 206
0694600058	308	0697000008	172, 180, 188, 196, 204, 212
0694600061	304	0697000009	172, 180, 188, 196, 204, 212
0694600064	304	0697000011	172, 180, 188, 196, 204, 212
0694600065	304	0697000012	172, 180, 188, 196, 204, 212
0694600070	304	0697000013	166, 174, 182, 190, 198, 206
0694600071	306	0697000014	172, 180, 188, 196, 204, 212
0694700005	90	0697000015	172, 180, 188, 196, 204, 212
0695000022	94, 102, 116, 126, 138, 150	0697000016	172, 180, 188, 196, 204, 212
0695000023	94, 102, 116, 126, 138, 150	0697000017	172, 180, 188, 196, 204, 212
0695000028	98, 106, 120, 132, 144, 156	0697000018	172, 180, 188, 196, 204, 212
0695000092	94, 102, 116, 126, 138, 150	0697000019	166, 174, 190, 198
0695000107	100, 110, 124, 136, 146, 160	0697000021	182, 190, 198, 206
0695000108	100, 110, 124, 136, 146, 160	0697000022	182, 190, 198, 206
0695000109	100, 110, 124, 136, 146, 160	0697000023	166, 174
0695000111	100, 110, 124, 136, 146, 160	0697000024	172, 180, 188, 196, 204
0695000112	100, 110, 124, 136, 146, 160	0697000025	172, 180, 188, 196, 204
0695000113	96, 104, 120, 130, 142, 154	0697000027	166, 174, 182, 190, 198, 206
0695000142	122	0697000031	166, 174, 182, 190, 198, 206
0695010020	108, 134, 158	0697000032	166, 174, 190, 198
0695010030	108, 134, 158	0697000033	166, 174, 182, 190, 198, 206
0695010040	108, 134, 158	0697000034	212
0695100026	24	0697000035	212
0695100027	24	0697000036	212
0695200006	216	0697000037	212
0695200011	214	0697000042	178, 200
0695201100	44	0697000043	168, 176, 184, 192, 200, 208
0696000077	316	0697000045	168, 176, 184, 192, 200, 208
0696000082	314, 316	0697000046	168, 176, 184, 192, 200, 208
0696000083	314, 316	0697000047	168, 176, 184, 192, 200, 208
0696000186	316	0697000048	168, 176, 184, 192, 200, 208
0696000209	316	0697000049	168, 176, 184, 192, 200, 208
0696000219	314	0697000051	184, 192, 200, 208
0696000261	316	0697000052	168, 176, 184, 192, 200, 208
0696000266	316	0697000053	168, 176, 184, 192, 200, 208
0696000270	316	0697000066	166, 174
0696000273	316	0697000075	176, 200
0696000274	316	0697000076	168, 184, 194, 208
0696000275	316	0697000077	168, 176, 184, 192, 200, 208
0696000281	316	0697000081	178, 200
0696000296	318	0697000093	166, 174, 182, 190, 198, 206
0696000297	318	0697000099	166, 174, 182, 190, 198, 206
0696000303	318	0697000101	176, 200
0696100008	320	0697000102	176, 200
0696100014	324, 330, 336	0697000103	166, 174, 182, 190, 198, 206
0696100015	324, 330, 336	0697000105	166, 174, 182, 190, 198, 206
0696100021	326, 332, 338	0697000112	166, 174, 182, 190, 198, 206

0697000113	166, 174, 182, 190, 198, 206	0697300070	344, 352, 362, 370, 380, 386, 394
0697100003	26, 32	0697300071	344, 352, 362, 370, 380, 386, 394
0697100006	26	0697300096	344, 352, 362, 370, 380, 386, 394
0697100007	26, 32	0697300102	358, 366, 378, 384, 392
0697100008	26, 32	0697300103	358, 366, 378, 384, 392
0697100009	30	0697300104	340, 348, 358, 366, 378, 384, 392
0697100011	30	0697300105	358, 366
0697100012	30	0697300106	358, 366
0697100013	30	0697300107	344, 352, 362, 370, 380, 386, 394
0697100016	26, 32	0697300108	344, 352, 362, 370, 380, 386, 394
0697100017	26, 32	0697300109	364, 372
0697100018	26, 32	0697300110	364, 372
0697100019	26, 32	0697300111	364, 372, 382, 388, 396
0697100021	32	0697300113	346, 354, 364, 372, 382, 388, 396
0697100022	32	0697300121	346, 354, 364, 372, 382, 388, 396
0697100023	36	0697300122	358, 366
0697100024	36	0697300127	346, 354
0697100025	36	0697300129	340, 348
0697100026	36	0697300133	340, 348
0697100027	38	0697300194	340, 348, 358, 366, 378, 384, 392
0697100028	38	0697300197	358, 366
0697100029	38	0697300199	358, 366
0697100030	38	0697300200	340, 348
0697100031	38	0697300202	340, 348
0697100032	38	0697300203	358, 366, 378, 384, 392
0697100033	32	0697300206	358, 366, 378, 384, 392
0697100034	32	0697300208	340, 348, 358, 364, 366, 378, 384, 392
0697100035	38	0697300223	340, 348, 358, 366, 378, 384, 392
0697100036	38	0697300225	340, 348, 358, 366, 378, 384, 392
0697100037	38	0697300239	358, 366
0697100049	38	0697300241	358, 366
0697100056	38	0697300250	358, 366
0697100061	40	0697300255	346, 354, 364, 372, 382, 388, 396
0697100062	26, 32	0697300257	346, 354, 364, 372, 382, 388, 396
0697100063	30, 36	0697300258	344, 352, 362, 370, 380, 386, 394
0697100064	30, 36	0697300259	344, 352, 362, 370, 380, 386, 394
0697100066	26	0697300260	344, 352, 362, 370, 380, 386, 394
0697100067	30, 36	0697300261	364, 372, 382, 388, 396
0697100068	26	0697300265	340, 348, 378, 384, 392
0697100069	32	0697300267	346, 354, 364, 372, 382, 388, 396
0697100071	30, 36	0697300268	346, 354
0697102450	422	0697300269	344, 352, 362, 370, 380, 386, 394
0697300009	346, 354, 364, 372, 382, 388, 396	0697300271	382
0697300011	344, 352, 362, 370, 380, 386, 394	0697300272	356, 374, 390, 398
0697300019	344, 352, 362, 370, 380, 386, 394	0697300284	346, 354, 364, 372, 382, 388, 396
0697300020	344, 352, 362, 370, 380, 386, 394	0697300288	382, 396
0697300025	364, 372, 382, 388, 396	0697309200	374, 390, 398
0697300026	364, 372, 388	0697309210	356, 374, 390, 398
0697300027	364, 372, 382, 388, 396	0697313860	356
0697300031	364, 372, 388	0698000021	218
0697300032	364, 372, 388	0698000029	218
0697300033	364, 372, 388	0698000035	218
0697300034	364, 372, 388	0698000045	220
0697300039	344, 352, 362, 370, 380, 386, 394	0698000049	220
0697300040	344, 352, 362, 370, 380, 386, 394	0698000055	218

0698000060	220	0698600150	270
0698100008	226	0698600151	258, 268
0698100014	222	0698600152	258, 268
0698100019	222	0698600157	260, 272
0698100022	222	0698600158	298
0698100034	222	0698600160	270
0698100035	222	0698600175	266
0698100036	222	0698600178	258, 268
0698100037	222	0698600181	256, 266
0698100038	222	0698600182	276
0698100039	222	0698600183	280
0698100040	222	0698600184	280
0698100051	222	0698600185	276
0698100054	222	0698600186	276
0698100058	222	0698600187	276
0698102120	226	0698600188	276
0698200094	228, 232, 236	0698600189	276
0698200095	236	0698600190	276
0698200132	228, 232	0698600191	276
0698200134	228, 232	0698600192	276
0698200160	240	0698600193	276
0698200222	238	0698600194	276, 280
0698200223	238	0698600195	278
0698200236	238	0698600196	278, 280
0698200240	238	0698600197	280
0698200246	238	0698600198	280
0698200256	238	0698600199	280
0698200258	232, 238	0698600200	258, 270
0698200261	238	0698600201	278
0698200268	228, 238	0698600202	278
0698200270	238	0698600203	278
0698200272	240	0698600204	280
0698200282	228, 232	0698600205	282
0698200289	230, 234, 240	0698600206	282
0698200293	64, 70, 74, 228, 232	0698600207	282
0698200296	236	0698600208	278
0698200300	230, 234	0698600209	278
0698200307	236	0698600210	258, 270
0698200308	228, 232	0698600211	278
0698200321	230, 234	0698600212	278
0698200323	230, 234	0698600213	278
0698200325	230, 234	0698600214	278
0698200348	228, 232	0698600215	278
0698400016	262	0698600216	280
0698400019	256, 258	0698600219	270
0698600097	256, 266	0698600221	270
0698600100	256, 266	0698600222	274
0698600127	286	0698600223	262
0698600132	256, 266	0698600224	262, 274
0698600133	256, 266	0698600225	272
0698600135	266, 270	0698600226	272
0698600139	266, 270	0698600227	260
0698600143	258, 268	0698600228	260
0698600148	256, 266	0698600229	272
0698600149	256, 266	0698600230	270

0698600231	274	0699300078	402, 406, 410, 414
0698600232	262, 274	0699300079	402, 406, 410, 414
0698600233	258	0699300080	400, 404, 408, 412
0698600234	268	0699300081	400, 404, 408, 412
0698600236	274	0699300082	420
0698600237	272	0699300083	422
0698600238	260	0699300086	400, 404
0698600239	272	0699300087	408, 412
0698600240	260	0699300093	402, 406, 410, 414
0698600241	274	0699300094	402, 406, 410, 414
0698600242	274	0699300095	400, 404, 408, 412
0698600243	274	0699300099	400, 404, 408, 412
0698600244	260	0699300103	410, 414
0698600245	258, 268	0699300104	410, 414
0698600246	258, 268	0699300132	402, 406, 410, 414
0698600247	258, 268	0870431821	264, 286
0698600248	258, 268	0871086051	402, 406, 410, 414
0698600249	258, 268	0872433150	48, 54, 68, 218, 306
0698600250	258, 268	0880030010	400, 404, 408, 412
0698600251	258, 268	0880030015	400, 404, 408, 412
0698600252	258, 268	0880031001	400, 404, 408, 412
0698600253	258, 268	0880031005	400, 404, 408, 412
0698600254	258	0880031016	400, 404, 408, 412
0698600255	274	0880031017	400, 404, 408, 412
0698600256	274	0880031018	400, 404, 408, 412
0698600257	280	0880612070	320
0698600258	270, 284	0880840070	256, 266
0698600260	284	0880865139	258, 270
0698600261	284	0880865144	258, 268
0698600262	284	0880865150	258, 268
0698600263	284	0880865302	280
0698600264	284	0880865303	280
0698600265	284	0880865304	280
0698600266	284	0880865305	276
0698600267	284	0880865310	280
0698600268	284	0880865311	280
0698600269	284	0880865312	280
0698600270	284	0880865313	282
0698600271	284	0880865314	280
0698600272	284	0880865315	280
0698600273	284	0880865316	280
0698600274	274	0880865410	272
0698600275	274	0881030020	400, 404, 408, 412
0698600280	280	0881030026	400, 404, 408, 412
0698600281	278	0881030046	402, 406, 410, 414
0698600291	270, 284	0881031549	402, 406, 410, 414
0698603230	280	0881031551	402, 406, 410, 414
0698700010	300	0881031556	402, 406, 410, 414
0698900007	88	0881031557	410, 414
0699200060	426	0881130500	2
0699300063	400, 404, 408, 412	0881130510	2
0699300064	400, 404, 408, 412	0881130520	2
0699300073	402, 404, 410, 412	0881130530	2, 4, 4, 8, 8
0699300074	402, 406, 410, 414	0881131300	2
0699300075	402, 406, 410, 414	0881131310	2

0881131320	2, 4, 8	1100040855	132, 144, 156
0881131330	2, 4, 8	1100040885	356, 374, 390, 398
0881131340	2, 4, 8	1100041020	22, 26, 30, 32, 36, 68, 72, 74, 78, 80, 82, 86, 94, 102, 106, 108, 116, 122, 126, 132, 134, 138, 144, 150, 156, 158, 166, 168, 174, 176, 182, 184, 190, 192, 198, 200, 206, 208, 222, 322, 328, 334
0881131350	2, 4, 8	1100041055	78, 80, 256, 266
0881131360	2, 4, 8	1100041460	2, 4, 8
0881140300	12	1100041690	256, 266
0881140310	12, 14	1100042245	320, 324, 330, 336
0881140320	12, 14	1100050612	44, 50, 56, 68, 72
0881140330	12	1100050616	68, 76, 264, 286, 304
0881140340	12	1100050620	118, 122, 128, 140, 152, 222, 238
0881140350	12, 14	1100050625	224, 486
0881140360	12, 14	1100050635	54, 64, 304
0881152200	16	1100050812	220
0881302095	22	1100050814	26, 30, 32, 36, 68, 72
0881353080	244	1100050820	22, 30, 36, 44, 54, 56, 62, 68, 72, 168, 176, 184, 192, 200, 208, 218, 228, 232, 242, 246, 254, 298, 302, 318, 346, 354, 364, 372, 382, 388, 396
0881402180	56	1100050825	42, 42, 60, 238, 254, 302, 318
0881406050	56	1100050830	78, 228, 232, 300, 308, 316, 326, 332, 338
0881520700	214, 216	1100050835	52, 64, 74, 228, 232
0881521010	44	1100050840	254
0881600950	22	1100050850	322, 328, 334, 376
0881602910	22	1100050860	54
0881602950	22	1100050865	72, 74, 224
0881602960	22	1100050875	94, 102, 116, 126, 138, 150
0881612040	320	1100050880	356
0881612050	320	1100051016	22, 42, 52, 54, 72, 218
0881612060	320, 322, 328, 334	1100051020	44, 48, 54, 98, 218, 254, 314, 320, 360, 368
0881612070	320, 322, 328, 334	1100051025	22, 24, 26, 32, 36, 38, 38, 40, 50, 54, 72, 78, 80, 82, 98, 106, 122, 132, 144, 156, 220, 222, 254, 304, 308, 318, 340, 344, 348, 352, 360, 362, 368, 370, 378, 380, 384, 386, 392, 394
0881612150	320, 322, 328, 334	1100051030	2, 4, 8, 12, 14, 40, 44, 52, 222, 224, 228, 232, 242
0881612160	320, 322, 328, 334	1100051035	224
0881711360	222	1100051040	46, 316
0881733550	340, 348, 358, 366, 378, 384, 392	1100051075	108, 134, 158
0881733590	340, 348, 358, 366, 378, 384, 392	1100051225	96, 104, 120, 130, 142, 154, 298
0881733600	340, 348, 360, 368, 378, 384, 392	1100051230	48, 250
0881811090	226	1100051235	94, 102, 116, 126, 138, 150
0881811100	226	1100051260	344, 352, 362, 370, 380, 386, 394
0881811110	226	1100051635	18
0881812080	226	1100051645	2
0881840008	256, 266	1100080512	464
0881841060	256, 266	1100090616	286
0881841061	256, 266	1100090816	22, 26, 30, 32, 36, 48, 50, 54, 56, 60, 62, 68, 72, 74, 86, 88, 92, 98, 98, 106, 106, 120, 122, 122, 132, 132, 144, 144, 156, 156, 218, 228, 232, 236, 242, 306, 308, 346, 354, 364, 372, 382, 388, 396
0882030006	400, 404, 408, 412	1100090825	276
0882030007	400, 404, 408, 412	1100141010	98, 106, 122, 132, 144, 156
0882031046	402, 406, 410, 414	1100141610	256, 266
0882031135	400, 404, 408, 412	1100240650	240
0882031159	402, 406, 410, 414	1100440810	302
0882160210	18	1100790812	260, 272
0882502140	224	1100790816	258, 262, 268
0882702480	98, 106, 120, 132, 144, 156	1100790820	274
0882861185	258, 270		
1100020512	468		
1100020825	218		
1100021025	166, 174, 182, 190, 198, 206		
1100040512	72		
1100040516	72		
1100040640	98, 106, 120, 132, 144, 156		

1100790825	276	1121050808	476, 478
1101041265	228, 232	1121051212	474
1101041645	4, 8	1122400514	276
1101051240	228, 232	1130020006	238, 240
1101141420	12	1130030003	290, 292, 294
1101141640	44	1130030004	306
1102041220	44	1130030005	278, 282
1102041270	86	1130040006	64, 64, 68, 70, 72, 74, 76, 78, 82, 238, 308, 326, 332, 338
1102540725	250	1130040022	320, 324, 330, 336
1103041085	316	1130050006	80
1103141005	302	1130050008	56, 68, 72, 74, 76, 78, 80, 82, 86, 302, 304, 390, 398
1106041635	12, 14	1130050010	68, 72, 74, 82
1106241440	2, 4, 8	1130050012	54, 250, 254, 260, 272, 276
1106690616	276	1130050016	256, 266
1110020514	470	1130090010	274
1110020820	434	1130140008	54, 228, 232, 242, 254, 262, 282, 300, 356, 374
1110020835	448	1130140012	302
1110020855	442	1130240010	22, 44, 50, 56, 98, 106, 122, 132, 144, 156, 222, 228, 232, 256, 266, 302, 308, 316
1110021080	484	1130550012	228, 232
1110040430	276	1131212004	276
1110040522	84	1131212005	276
1110040630	492	1131213008	270
1110040660	492	1131243006	280
1110040835	450	1132130045	314
1110041080	214, 216	1132630012	320, 322, 328, 334
1110041235	484	1132711016	480
1110042040	22	1132712010	274
1110042070	22	1132940719	250
1110050512	456, 458, 466	1134831035	52
1110050612	326, 332, 338	1140020004	306
1110050616	226, 326, 332, 338	1140020005	72, 84, 470
1110050620	100, 110, 124, 136, 146, 160, 494	1140020006	44, 50, 54, 56, 64, 64, 68, 70, 72, 74, 76, 78, 80, 82, 92, 98, 100, 106, 110, 118, 122, 122, 124, 128, 132, 136, 140, 144, 148, 152, 156, 160, 222, 224, 226, 238, 264, 286, 304, 308, 326, 332, 338
1110051020	340, 346, 348, 354, 360, 364, 368, 372, 378, 382, 384, 388, 392, 396	1140020008	22, 26, 30, 32, 36, 42, 42, 44, 48, 48, 52, 56, 60, 62, 64, 68, 72, 74, 76, 78, 80, 82, 86, 88, 92, 94, 98, 98, 102, 106, 106, 116, 120, 122, 122, 126, 132, 132, 138, 144, 144, 150, 156, 156, 168, 176, 184, 192, 200, 208, 218, 224, 228, 232, 236, 238, 240, 242, 242, 246, 298, 300, 302, 304, 308, 316, 326, 332, 338, 346, 354, 356, 364, 372, 374, 382, 388, 390, 396, 398
1110051025	214, 216	1140020010	2, 4, 8, 12, 14, 22, 24, 26, 30, 32, 36, 38, 38, 40, 44, 50, 54, 68, 72, 74, 78, 80, 82, 86, 94, 98, 102, 106, 108, 116, 122, 126, 132, 134, 138, 144, 150, 156, 158, 166, 168, 174, 176, 182, 184, 190, 192, 198, 200, 206, 208, 218, 222, 224, 228, 232, 242, 254, 302, 304, 308, 314, 318, 320, 340, 344, 348, 352, 360, 362, 368, 370, 378, 380, 384, 386, 392, 394
1111041645	214, 216	1140020012	44, 50, 86, 94, 96, 102, 104, 116, 120, 126, 130, 138, 142, 150, 154, 228, 232, 250, 298, 344, 352, 362, 370, 380, 386, 394
1111141410	14	1140020016	44, 256, 266
1111810610	308	1140090006	286
1112021235	42	1140120010	322, 328, 334
1112041240	214, 216	1140210007	250
1120530330	290, 292, 294	1140330010	44, 72, 86
1120530520	282	1140330012	44
1120530620	226, 326	1140420010	214, 216, 340, 346, 348, 354, 360, 364, 368, 372, 378, 382, 384, 388, 392, 396
1120530630	92, 332, 338		
1120590416	258, 268		
1120630512	276		
1120630516	276		
1120790620	264, 286		
1120800635	274		
1120801025	274		
1120940612	278		
1120940630	280		
1120940635	280		
1120940816	278		
1120990820	240, 242		

154, 154, 158, 158, 158, 158, 162, 162, 162, 162, 162, 162, 162, 164, 164, 164, 172, 180, 188, 196, 204, 212, 214, 214, 216, 216, 226, 344, 344, 344, 346, 346, 346, 352, 352, 352, 354, 358, 362, 362, 362, 364, 364, 364, 366, 370, 370, 370, 372, 380, 380, 380, 382, 382, 386, 386, 386, 388, 394, 394, 394, 396, 396, 432, 436, 440, 442, 444, 480	1432200045 314, 476, 478
1420010200 226, 434, 442, 442, 448, 450	1432200060 314, 314
1420010220 442	1432200065 314
1420010224 484	1432500640 2, 2, 4, 4, 4, 8, 8, 8
1420010240 . 18, 18, 94, 94, 102, 102, 112, 112, 112, 112, 116, 116, 126, 126, 138, 138, 150, 150, 162, 162, 162, 164, 166, 174, 182, 190, 198, 206, 214, 214, 214, 216, 216, 216, 340, 340, 348, 348, 358, 358, 366, 366, 378, 378, 384, 384, 392, 392, 436, 444, 456	1432500800 12, 14
1420010260 476, 478	1432900034 436
1420010290 . 112, 114, 114, 164, 164, 164, 166, 166, 166, 166, 166, 174, 174, 174, 174, 182, 182, 182, 182, 182, 190, 190, 190, 190, 190, 198, 198, 198, 198, 206, 206, 206, 206, 206, 218	1501750002 . . . 96, 96, 104, 104, 108, 118, 120, 130, 130, 134, 142, 142, 154, 154, 158, 168, 176, 184, 192, 202, 214, 216, 320, 340, 348, 378, 384, 392, 456
1420010450 226	1501750003 168, 184, 194, 208
1420100350 2, 2, 4, 4, 4, 8, 8, 8	1501750004 162, 162
1420100400 12, 14, 214, 216	1501750010 218
1420100600 96, 104, 120, 130, 142, 154	1501810003 486
1420101450 218	1501820001 2, 2, 4, 8, 12, 14
1420110300 48	1501840000 4, 4, 8, 8
1420110350 214, 216, 480	1501986526 52, 308
1420110400 480	1511410003 342, 350, 360, 368, 378, 384, 392
1420110700 476, 478	1512330005 30, 40
1420110750 476, 478	1512330009 40
1420111100 474	1512340001 168, 168, 176, 176, 184, 184, 192, 192, 200, 200, 208, 208
1420111150 474	1512340003 108, 134, 158
1420111250 218	1512340004 . . . 96, 98, 104, 106, 118, 120, 130, 130, 142, 142, 154, 154, 346, 364, 382, 396
1420300119 432, 436, 440, 440, 444	1512340021 112, 162
1420300139 492	1512350005 214, 216
1420300155 216, 488, 496	1512370010 40, 122, 128, 140, 152
1420300164 482	1512370011 . . . 98, 106, 106, 120, 120, 120, 130, 132, 142, 142, 144, 154, 154, 156, 184, 192, 192, 200, 200, 208
1420300257 482	1512370012 322, 328, 334
1420310155 214	1512370029 . . . 96, 100, 100, 104, 110, 110, 118, 124, 124, 128, 136, 136, 140, 146, 146, 152, 160, 160
1420310250 482	1512373017 354, 372, 388
1420310902 456	1512374002 112, 162, 344, 352, 362, 370, 380, 386, 394
1420310903 482, 482, 484, 484	1512374011 94, 102
1420310904 484, 484	1512374012 116, 126, 138, 150
1420310905 484	1512375004 112, 118, 122, 128, 128, 140, 140, 152, 152, 162
1420310906 . . 30, 30, 40, 40, 40, 356, 374, 390, 398, 484, 484, 484, 492, 494, 496	1512375006 30, 40
1420310908 484	1513250202 26, 38
1420310910 214, 216, 456, 488, 494, 496, 496	1513300014 38
1420310912 374, 376, 390, 398	1513300015 112, 164
1420310916 214, 214, 216, 216, 490	1513300020 18
1420500112 436, 444	1513300022 96, 98, 104, 106, 118, 120, 128, 130, 140, 142, 152, 154
1420500140 436, 444	1513300029 112, 162
1420510850 448, 450	1513370046 98, 106, 120, 132, 144, 156
1421020110 432, 440	1513370048 96, 104, 118, 128, 140, 152
1421020600 16	1513390029 26, 106, 120, 130, 142, 154
1421130350 480	1513390052 374, 390
1422010600 16	1513390053 374, 390, 398
1432122302 44	1513940004 218
1432200040 316, 316	1513980012 398
	1515010041 26, 30, 32, 36, 170, 178, 184, 192, 202, 208
	1515010042 42
	1515010043 166, 174, 182, 190, 198, 206
	1515010044 . 114, 164, 166, 166, 174, 174, 182, 182, 190, 190, 198, 198, 206, 206
	1515010051 108, 108, 134, 134, 158, 158

1515010052	112, 162	1531532057	26, 32
1515010130	38, 38, 96, 104, 118, 128, 140, 152	1531532185	30, 36
1515010132	112, 162	1533001065	286
1515010133	94, 102, 116, 126, 138, 150	1533120012	50
1515012040	30, 32, 38, 38, 96, 98, 104, 106, 106, 108, 112, 118, 118, 120, 120, 120, 122, 128, 128, 128, 130, 132, 134, 140, 140, 140, 142, 144, 152, 152, 152, 156, 156, 158, 162, 168, 168, 176, 176, 184, 208, 212, 322, 328, 334, 346, 364, 382, 396	1533120015	54
1515012042	96, 98, 104, 106, 112, 118, 120, 130, 130, 142, 142, 154, 154, 162, 162, 214, 216, 344, 346, 352, 362, 364, 370, 380, 382, 386, 394, 396	1533120020	308
1515012510	32, 112, 128, 140, 152, 162	1533120511	224
1515012511	346, 354, 364, 372, 382, 388, 396	1533700025	218
1515100048	112, 340, 348	1533700035	222, 226
1515100112	172, 180, 188, 196, 204, 212	1533700045	54
1515100113	164, 358, 366, 378, 384, 392	1533700054	48
1515100114	166, 174, 182, 190, 198, 206	1533700060	48, 216, 218, 222
1515100136	38	1533700071	48, 166, 174, 182, 190, 198, 206
1515102110	322, 328, 334	1533700080	48
1515102111	340, 348, 358, 366, 378, 384, 392	1533700113	304
1515102112	358, 366	1533700115	44
1515600200	100, 110, 110, 124, 136, 146, 146, 160, 160, 168, 176, 186, 192, 200, 208, 322, 328, 334, 360, 368, 376	1533701300	44
1515600201	340, 348, 358, 366, 378, 384, 392	1533811065	324, 330, 336
1515600202	42, 112, 164, 344, 346, 352, 354, 358, 362, 364, 366, 370, 372, 380, 382, 386, 388, 394, 396	1534100274	344, 352, 362, 370, 380, 386, 394
1515600203	358, 366, 378, 384, 392	1534416260	54
1515600204	112, 164, 166, 166, 174, 174, 182, 182, 190, 190, 198, 198, 206, 206	1540140830	166, 174, 182, 190, 198, 206
1515600212	214, 216	1541300501	16
1515600571	38, 38, 96, 98, 100, 100, 104, 106, 110, 110, 110, 118, 120, 124, 124, 128, 130, 136, 136, 140, 142, 146, 146, 146, 154, 154, 160, 160, 160, 168, 176, 184, 192, 200, 208	1550216365	218
1515600573	164	1551100300	218
1515600578	214, 216, 340, 348	1551101001	96, 104, 118, 130, 142, 154
1515630002	226	1551101003	96, 104, 118, 130, 142, 154
1530541046	218	1551102500	96, 104, 118, 130, 142, 154
1530619084	226	1551102505	96, 104, 120, 130, 142, 154
1530741004	216	1551103900	218, 618
1530808100	48	1552000800	218
1530808133	48	1552000830	218
1531010070	44	1552100320	222
1531115000	224, 224, 224, 224, 224	1552101200	222
1531115112	48	1552101207	222
1531118045	48	1552101500	52
1531118130	48	1552101600	52
1531207000	224, 224, 224, 224, 224	1552200040	108, 134, 158
1531207005	224	1553020603	218
1531325000	308, 310	1553020685	218
1531325042	308	1553021650	218
1531335000	52, 324, 330, 336	1553022650	218
1531335016	26, 32	1553203100	226
1531407000	48	1554502250	46
1531520075	324, 330, 336	1554512601	44, 426
1531528020	36	1560001000	314, 316, 320, 322, 328, 334
		1566165027	286
		1566165070	286
		1607000033	44
		1607000110	44
		1607000111	44
		1607000112	44
		1607000114	44
		1621073038	302
		1650202300	238, 240
		1650205507	452, 454

1650205510	452	1652900802	92
1650205516	452, 454	1653303010	262, 274
1650205521	452, 454	1653303012	258, 268
1650205523	100, 110, 124, 136, 146, 160, 452	1653384630	276
1650205608	454	1653601395	262
1650205611	100, 110, 124, 136, 146, 160, 454	1653900021	230, 234
1651005030	256, 266	1653900083	254
1651021030	56	1653900090	266
1651030026	42	1653900092	256, 266
1651030027	42	1653916000	258
1651101028	274	1653916005	70
1651101042	274	1653916006	238
1651101050	228, 232	1653916007	70
1651101224	254	1653916009	70, 230, 234
1652052800	256	1653916027	230, 234
1652053200	76, 304	1653916039	230, 234
1652053400	256, 266	1653916052	280
1652102320	258, 268	1653916055	230, 234
1652200004	272	1653916094	230, 234
1652200010	26, 30, 32, 36, 40, 74, 80, 82, 302, 306	1653916250	258
1652201005	28, 30, 34, 36, 40, 64, 64, 64, 70, 70, 70, 74, 74, 74, 86, 92, 302, 306, 324, 330, 336	1654004006	280
1652201007	26, 30, 32, 36, 40, 68, 74, 80, 82, 84, 90, 92, 310	1654004007	282
1652201008	78, 80, 82	1654010600	274
1652201010	68, 84, 92	1654011700	274
1652201021	74	1654011701	260, 272
1652201023	74	1654011703	260, 262, 272
1652221050	272	1654011931	260, 272
1652221051	276	1654011933	276
1652231100	68, 74	1654011934	276
1652231140	54	1654011941	278
1652231250	30, 32, 36, 50, 54, 74, 76, 84, 172, 180, 188, 196, 204, 212, 222, 224	1654011942	262, 274
1652520005	84	1654011944	260, 272
1652520006	92	1654011947	280
1652520008	308, 316	1654011948	276, 276, 280, 280
1652533018	256	1654011962	260
1652533023	22	1654011963	260, 262, 274
1652615200	238	1654011964	274
1652711696	242	1654012004	276
1652768610	256, 266	1654012005	278
1652900008	74	1654253248	258, 270
1652900012	304	1654301004	238
1652900013	86	1654301007	238
1652900016	264, 286	1654302013	310
1652900019	68, 74	1654314011	70
1652900101	72	1654343000	56
1652900207	68, 72	1654343078	56
1652900208	54	1654344004	244
1652900210	72	1654353000	310
1652900211	72	1654358018	242
1652900212	72	1654520000	262, 270, 270
1652900214	72	1654605000	236, 238, 270, 304
1652900407	122, 132, 144, 156	1654605106	238
1652900507	54	1654606000	48, 230, 230, 234, 234, 238, 242, 242, 242, 244, 304, 306
		1654606023	70
		1654619003	270

1654623250	258, 268	1700008299	290, 292, 294, 296
1654624026	346, 354, 364, 372, 382, 388, 396	1700008313	64, 64, 70, 74
1654625046	22	1700009010	254
1654631000	280	1700100015	30, 40
1654636082	258, 268	1700100019	264, 286, 618
1654640012	166, 174, 182, 190, 198, 206	1700100041	26
1654643000	270, 276, 276	1700100060	26, 40
1654645000	280	1700100072	264, 286, 618
1654648006	270	1700100089	40
1654648010	260	1700100119	218
1654652007	276	1701310003	76
1654652080	276	1701310005	76
1654652223	258, 270	1701310010	76
1654652294	270	1701310015	76
1656500130	300	1701310020	76
1690001012	426	1701310025	76
1690001113	426	1701310030	76
1690001417	426	1701330045	76
1690001922	426	1701330065	76
1690002427	426	1702042531	86
1690100030	426	1702108210	86
1690100041	426	1702402003	44
1690220205	426	1702901283	86, 86
1690300330	426	1703000030	260, 272, 618
1690400250	426	1703007300	272
1690500200	426	1703210700	302
1690600500	426	1703210703	54
1690600600	426	1703210712	238
1690600800	426	1703220740	88
1690601000	426	1703700013	238
1690601400	426	1705003460	272
1690830019	426	1705004780	90
1691060600	426	1705016000	272
1691400005	426	1705016001	272
1691900001	426	1711900064	72
1700000043	326, 332, 338	1711900071	78, 80, 82
1700000059	264, 286	1711900072	74, 76, 86, 302
1700000066	264, 286	1711900076	52, 170, 176, 184, 192, 202, 210
1700000071	60	1711900097	70, 74
1700008080	290, 292, 294	1711900122	86
1700008129	290, 290, 292, 294, 296, 296	1711900127	52, 218
1700008200	290, 292, 294	1711900128	22
1700008210	290, 292, 294	1711900144	70, 72
1700008232	290, 292, 294, 296	1711900155	78, 80, 82
1700008250	290, 292, 294, 296	1711900163	70
1700008252	292, 294	1711900164	92
1700008253	290, 292, 294, 296	1711900191	70, 72
1700008254	292, 294	1711900194	62, 70, 76, 78, 80, 82
1700008256	290, 292, 294, 296	1711900198	78, 80, 82
1700008272	290, 292, 294, 296	1711900201	70
1700008286	290, 292, 294, 296	1711900202	64
1700008287	290, 294, 296	1711900204	92
1700008292	64	1711900520	264, 286
1700008293	290, 292, 294, 296	1711910014	274
1700008294	290, 292, 294, 296	1711910016	274

1711910040	274	1900120300	316, 476
1711910290	88	1900120328	476
1711910291	88	1900120398	476
1711919000	274	1900120400	316, 478
1711919350	274	1900120406	476, 478
1730141811	430	1900120428	476, 478
1730141820	430	1900120497	476, 478
1730143341	76	1900120498	478
1730143422	84, 84, 84	1900120500	324, 330, 336
1730143440	84, 84	1900190708	478
1730143660	264, 286	1901004357	456
1730143661	264, 286	1901024795	432, 436, 440, 444
1730143910	84	1901030671	432, 440
1730500008	308	1901030672	436, 444
1730500025	76	1901035426	456
1730500041	62, 64, 64, 76, 80, 82	1901035471	456
1900005912	476, 478	1901036678	470
1900015502	476, 476, 478, 478	1901039426	432, 436, 440, 444
1900050333	476, 478	1901039456	432, 436, 440, 444
1900063640	474	1901044619	456, 458
1900063641	474	1901045205	432, 436, 440, 444
1900067331	474	1901045206	432, 436, 440, 444
1900067333	474	1901045210	432, 436, 440, 444
1900071832	474	1901045212	432, 440
1900075133	476, 478	1901045218	436, 444
1900086917	476, 478	1901045219	436, 444
1900086956	474	1901045220	436, 444
1900090026	474	1901045221	436, 444
1900090037	474	1901045222	432, 436, 440, 444
1900090409	474	1901045223	436, 444
1900092906	474	1901045225	436, 444
1900100700	480	1901045226	436, 444
1900100701	480	1901045228	436, 444
1900100705	480	1901045235	432, 440
1900100706	480	1901045237	432, 440
1900100707	480	1901045239	436, 444
1900100799	480, 618	1901045240	436, 444
1900101702	476, 478	1901045241	438, 446
1900104926	476, 478	1901045242	438, 446
1900104927	476, 478	1901045243	438, 446
1900104999	476, 478, 618	1901045244	438, 446
1900105228	476, 478	1901045245	438, 446
1900116929	476, 478	1901045249	438, 446
1900117819	476, 478	1901045253	438
1900120200	314, 474	1901045256	438, 446
1900120203	474	1901045295	436, 444
1900120216	474	1901049326	436, 444
1900120219	474	1901055110	442
1900120220	474	1901055121	442
1900120230	474	1901055122	442
1900120233	474	1901055132	442
1900120261	474	1901055133	442
1900120297	474	1901055166	442
1900120298	474	1901055171	446
1900120299	474, 618	1901055172	440

1901055190	432, 440	1901730504	470
1901055191	164	1901730505	470
1901055192	164	1901730506	470
1901055199	440, 444	1901730507	470
1901055800	112, 432, 436	1901730508	470
1901055809	432, 440	1901731901	456
1901055811	432	1901731903	456
1901055821	434, 442	1901731911	456
1901055822	434, 442	1901731912	456
1901055823	434, 438, 442, 446	1901734404	458
1901055824	446	1901735630	448, 450
1901055846	434, 442	1901738312	456, 458
1901055847	446	1901741703	128, 140, 152, 462
1901055856	434, 442	1901743606	448, 450
1901055866	432	1901743614	448, 450
1901055870	436, 444	1901743615	448
1901055871	432, 440	1901743620	448, 450
1901055872	432, 440	1901748100	98, 106, 120, 130, 142, 154, 456
1901055873	432, 440	1901748114	456
1901055874	432, 440	1901748119	456
1901055875	436, 444	1901748126	456
1901055877	436, 444	1901748127	456
1901055878	438, 444	1901748128	456
1901055879	438, 446	1901748129	456
1901055880	438, 446	1901748130	456
1901055881	438	1901748131	456
1901055882	438, 446	1901748132	456
1901055883	438	1901748199	456
1901055884	438	1901748828	456
1901055885	438, 446	1901749511	448, 450
1901055886	438	1901749521	448, 450
1901055887	432, 440	1901749541	448
1901055888	438	1901749542	448
1901055891	432, 440	1901749551	448, 450
1901055892	432, 440	1901749641	450
1901055893	432, 440	1901750805	458
1901055894	432, 440	1901752100	466
1901055895	432, 440	1901752103	466
1901055896	432, 436, 440, 444	1901753600	94, 102, 116, 126, 138, 150
1901055897	432, 440	1901753602	94, 102, 116, 126, 138, 150
1901055898	432, 440	1901753603	94, 102, 116, 126, 138, 150
1901055899	432, 436	1901753900	100, 110, 124, 136, 146, 160, 450
1901061700	164, 440, 444	1901754000	100, 110, 124, 136, 146, 160, 448
1901710912	448, 450	1901756100	118, 122, 128, 140, 152, 458
1901710914	448, 450	1901758600	374, 390, 398
1901710917	448, 450	1901758601	390, 398
1901710922	448, 450	1901758602	356, 374, 390, 398
1901715103	448, 450	1901758603	390, 398
1901719011	448, 450	1901758604	356, 356, 374, 374, 376, 376, 390, 390, 398, 398
1901719012	448	1901758605	356, 374, 390, 398
1901720232	448, 450	1901758606	356, 374, 376, 390, 398
1901729709	456	1901758607	390, 398
1901729710	456	1901758608	356, 374, 376, 390, 398
1901730412	456	1901758609	356, 374, 376, 390, 398
1901730503	470	1901758698	390, 398

1901758700	374, 390	1902018823	490
1901758800	374, 390	1902018825	492
1901759700	108, 134, 158	1902020712	496
1901759702	108, 134, 158	1902020721	488, 490
1901759703	108, 134, 158	1902020723	490
1901759800	374	1902020733	488, 494
1901759802	376	1902020736	496
1901759900	356	1902020746	490
1901759905	356	1902020751	492
1901760600	38, 470	1902020761	496
1901760606	470	1902021416	484
1901760700	40, 472	1902023101	490
1901760701	472	1902023201	492
1901760702	472	1902023203	490
1901764601	128, 140, 152	1902023204	496
1901764603	462	1902023207	492
1901764700	96, 104, 118, 128, 140, 152, 460	1902023209	490
1901764701	460	1902023212	496
1901765400	322, 328, 334, 462	1902023213	496
1901765401	462	1902024601	494
1901765600	96, 104, 118, 130, 142, 154, 464	1902024610	488, 496
1901765602	464, 468	1902026903	490
1901765900	128, 140, 152	1902027172	488, 496
1901766400	98, 106, 120, 132, 144, 156, 468	1902030600	214, 216, 488
1901810203	484	1902030602	496
1901810211	484	1902030603	496
1901810212	484	1902030604	496
1901810214	496	1902030605	496
1902006702	482, 490	1902030606	496
1902007411	484	1902030699	488
1902010033	494, 494	1902030700	214
1902016507	488, 496	1902030800	216, 500
1902016520	496	1902030801	498, 500
1902016531	492, 494	1902030899	500
1902016544	484	1903132000	18, 482
1902016552	494	1903900125	312
1902016553	494	1903900210	76
1902016554	494	1903900211	312
1902017425	492	1903900212	312
1902017613	498, 500	1903900213	312
1902017615	498, 500	1903900214	312
1902017616	498, 500	1903900245	64, 70, 74
1902017701	490	1903906803	482, 486
1902017704	496	1903906807	482
1902017713	488, 492	1903906810	482
1902017716	496	1903906828	482
1902017724	490	1903906829	482
1902017727	492	1903906830	482
1902017736	494	1903906831	482
1902018807	494	1903906832	484
1902018809	490	1903906840	484
1902018814	496	1903906842	484
1902018815	496	1903906843	484
1902018818	492	1903908036	482
1902018820	492	1903908406	484

1903908411	484	1911513022	304
1903910104	482	1911514416	312
1903910113	484	1911514422	312
1903910114	484	1911514840	308, 312
1903910115	484	1911514842	312
1903910116	484	1911514843	312
1903910117	482, 484	1911514870	308
1903910127	482	1911515100	308
1903910129	484	1911516207	304
1903910132	484	1911516208	302
1903910135	484	1911516209	302
1903910701	482	1911516210	304
1903910702	484	1911516300	308, 312
1903910703	482	1911516306	308
1903910704	484	1912003106	496
1903910705	484	1912907801	486
1903912001	482	1912907802	486
1903912099	482	1912907803	486
1910450101	42	1912907804	486
1911102855	58	1912907805	486
1911262100	44, 58	1912907806	486
1911262101	58, 618	1912907807	486
1911262102	58, 618	1912907809	486
1911262103	58	1912907810	486
1911262104	58	1912907811	486
1911300851	56	1912907812	486
1911300980	56	1912907813	486
1911300981	56	1912907814	486
1911300982	56	1912907815	486
1911300983	56	1912907818	486
1911500500	54, 308	1912907819	486
1911501663	52	1912907820	486
1911501690	52	1912907821	486
1911501800	308	1912907822	486
1911502100	308	1912907824	486
1911502200	308	1912907826	486
1911505422	312	1912907827	486
1911505503	304	1912907828	486
1911505514	304	1912907830	486
1911505601	304, 304	1914099830	20
1911505602	302	1914099850	20
1911505763	312	1914100072	246, 248
1911506010	302	1914100086	252
1911506012	286	1914100145	250
1911506041	310	1914101072	248
1911506052	308	1914102072	248
1911506083	304	1914103072	248
1911508311	304	1914104072	248
1911509280	312	1914105072	248
1911510003	286	1914106072	248
1911511761	52	1914107072	248
1911511800	308	1914108072	248
1911512066	302	1914109072	248
1911512067	312	1914110072	248
1911513021	304	1914111072	248

1914112072	248	K01774-51016	588
1914113072	248	K01774-51020	524
1914114072	248	K01774-51025	576, 576, 576, 588, 590, 590, 590, 590, 590
1914115072	248	K01774-51030	502, 578, 588, 588
1914116072	248	K01774-51035	544
1914118072	248	K01774-51050	578
1914119072	248	K01774-51080	594
1914120072	248	K01774-51230	576
1914121072	248	K01774-51455	590, 590
1914122072	248	K01779-51445	524
1914123072	248	K02751-50060	570
1914198071	248	K02751-50080	502, 508, 526, 526, 536, 540
1914199072	248	K02771-50100	512, 544, 574, 576, 576, 588, 590
1919060103	428	K02771-50140	590, 590
1919060104	428	K03016-50616	516
1919060105	428	K03024-50520	536
1919060140	428	K03054-50412	606
1919060141	428	K03054-50508	514
1919060231	428	K03057-50508	520
1919060240	428	K03410-50808	512
3100003	616	K04015-50100	576, 588, 590, 590, 590
ABLU-84S-100	614	K04015-60080	540
ABLU-84T-100	614	K04611-00300	518, 518, 610
ATTL12VTAK	20	K04612-00160	512
ATTL12VTAKS	20	K04717-01200	548
AU0881130500	2	K04724-00160	548
AU0881131300	2	K04814-00090	506
AU0881140300	12	K04814-00160	536
BPL12008	614	K04814-00200	516
BTL1280	614	K04814-00220	504
BTL1280T	614	K04814-00240	516
BTLPF48	614	K04814-05120	536
K01517-51030	544	K04816-05150	558
K01517-51460	576	K04817-00060	534
K01517-71025	564, 574	K04817-00070	534
K01518-50622	564	K04817-00160	534
K01754-50612	564, 570, 586, 588, 596	K04817-00180	606
K01754-50616	526, 548, 548, 548	K04817-07220	42, 606
K01754-50620	514, 514	K04817-50300	514, 598
K01754-50625	570, 584	K05012-00614	526
K01754-50630	588	K05012-00820	502
K01754-50804	566	K05012-01016	502, 524
K01754-50812	504, 592, 598	K05411-00528	512
K01754-50816	506, 516, 520, 554, 554, 554, 554, 554, 554, 554	K05712-00515	518
K01754-50820	564, 570, 570, 590	K05712-00520	520
K01754-50825	526, 540, 556, 556, 576, 594, 594	K07715-01605	512, 520
K01754-50830	522, 538, 558	K09318-88085	566
K01754-50850	556	K09318-88100	586
K01754-50855	520	K09318-88115	586, 594
K01754-50865	562, 564	K09318-88130	570, 570, 594
K01754-50875	526	K09318-88200	556, 558, 572, 592, 598, 598
K01754-50880	558	K09318-88230	596
K01755-50612	570	K09318-88260	592, 592, 594
K01774-51002	540	K09661-70650	50, 606
K01774-51004	504	K14117-42560	224, 530

K14911-42750	532, 608, 608	K1C010-13150	510
K15021-14240	512, 512	K1C010-13240	510
K15021-33660	224, 530	K1C010-13482	510
K15221-03370	508	K1C010-13490	510
K15221-03380	502, 502, 502	K1C010-14430	512
K15221-03390	502	K1C010-15110	520
K15221-03490	508	K1C010-16270	520
K15221-33650	502	K1C010-22142	518
K15261-03370	502	K1C010-23300	518
K15261-13980	510	K1C010-23532	518
K15272-72420	560	K1C010-23542	518
K15401-95690	224, 528, 530	K1C010-23952	518
K15451-95680	526	K1C010-23962	518
K15471-25162	524	K1C010-23972	518
K15484-37070	598	K1C010-23982	518
K15521-96020	502, 508	K1C010-24017	520
K15527-72400	48, 560	K1C010-24027	520
K15527-72460	48, 560	K1C010-24250	520
K15531-72432	560	K1C010-24360	520
K15601-15553	520	K1C010-24370	520
K15625-32890	502	K1C010-24520	520
K15707-33750	504	K1C010-24983	520, 520
K15841-53850	536	K1C010-33080	598
K15841-53860	536	K1C010-33643	502
K15841-96020	502	K1C010-33653	502
K15951-33113	514	K1C010-35070	516
K16241-05550	514, 556	K1C010-35130	516
K16241-42320	608	K1C010-36422	506
K16241-96020	558	K1C010-36922	516
K16261-13330	510	K1C010-36950	516
K16261-13560	510	K1C010-36960	516
K16265-96670	504, 516	K1C010-37114	502, 558
K16286-33750	516	K1C010-37172	598
K16541-43210	528	K1C010-42460	608
K16541-43330	528	K1C010-51663	526
K16541-95790	224, 528, 528, 530	K1C010-63170	546
K16631-43560	528, 618	K1C010-63240	546
K16683-96020	502	K1C010-63250	546
K16881-64370	540	K1C010-63260	546
K17105-33680	224, 528, 528, 530	K1C010-63270	546
K17371-17220	574	K1C010-63330	546
K17371-95800	596	K1C010-63410	546
K17381-74150	562	K1C010-63520	546
K17490-64472	540	K1C010-64310	542
K19077-43280	528	K1C010-64770	542
K19202-96830	42, 606	K1C010-72820	556
K1A021-05430	514	K1C010-73034	558
K1A021-96020	556	K1C010-73430	558
K1A024-33520	596	K1C010-91030	516
K1A024-39010	548	K1C010-91040	516
K1C010-01503	504	K1C010-91050	542
K1C010-03450	508	K1C010-91070	554
K1C010-04450	524	K1C010-91100	504
K1C010-04560	502	K1C010-92010	542
K1C010-04680	524	K1C010-93010	542

K1C010-96010	502	K1G377-64602	542
K1C010-96020	516	K1G377-64850	542
K1C010-96160	502	K1G377-73170	502
K1C011-04164	516	K1G377-74110	562, 618
K1C011-72707	556	K1G377-74250	562
K1C011-73010	556	K1G377-97010	540, 618
K1C020-04140	516	K1G381-04013	516
K1C020-11820	564	K1G381-04420	548
K1C020-13112	510	K1G381-04430	548
K1C020-13122	510	K1G381-04440	548
K1C020-13463	510	K1G381-23010	518
K1C020-14023	512	K1G381-35630	518
K1C020-14050	512	K1G386-33140	48, 514
K1C020-14153	512	K1G513-36550	506
K1C020-14310	512	K1G514-03314	508
K1C020-14520	514	K1G514-03604	508
K1C020-22313	518	K1G514-03614	508
K1C020-22334	518	K1G518-43011	224, 528
K1C020-22963	518	K1G544-17110	574
K1C020-22973	518	K1G557-96650	538, 596, 596
K1C020-23472	518	K1G565-42120	608
K1C020-23912	518	K1G742-05120	514
K1C020-23922	518	K1G772-63823	524
K1C020-26340	524	K1G772-91032	524
K1C020-51650	526	K1G774-91010	540
K1C020-53810	514	K1G777-96650	596
K1C020-73260	556	K1G796-53620	536
K1C020-73272	556	K1G896-14230	512, 512
K1C020-91490	526	K1G911-91022	514
K1C020-95810	536	K1G938-52033	224, 606
K1C025-04300	522	K1H057-59090	70, 602
K1C025-04460	522	K1H105-59090	64, 588
K1C040-33212	502	K1J301-33680	530
K1C041-17200	574	K1J301-42112	608
K1C057-24100	518	K1J301-42210	608
K1E327-01120	502	K1J301-43010	224, 530
K1E474-05350	594	K1J301-43170	530, 618
K1E474-05400	594	K1J301-63010	544, 546
K1E474-05744	592	K1J301-63020	546
K1E474-05750	594	K1J301-63080	546
K1E474-05862	594	K1J301-74280	540
K1E474-67580	592, 592	K1J301-91010	568, 572
K1E474-75780	594	K1J301-95800	530
K1E474-75810	592	K1J301-95810	530
K1E474-75830	592	K1J303-04602	524
K1E506-19560	52, 604	K1J303-19102	588
K1E506-19870	604	K1J303-19550	52, 604
K1G371-25019	524	K1J303-19570	52, 604
K1G377-64012	540, 542	K1J303-19800	604
K1G377-64020	542	K1J303-33100	502
K1G377-64080	542	K1J303-36412	506
K1G377-64110	542	K1J303-36500	506
K1G377-64370	540	K1J303-42110	608
K1G377-64412	540	K1J303-42210	608
K1G377-64422	540	K1J303-42220	608

K1J303-65200	554	K1J500-91010	566
K1J303-75810	606	K1J500-91020	508, 572
K1J419-05830	594	K1J500-91550	572
K1J419-05840	502	K1J508-01010	502
K1J419-05860	592, 592	K1J508-01740	508
K1J419-11620	592	K1J508-05810	594
K1J423-90200	612	K1J508-12320	574
K1J423-90310	612	K1J508-14582	514
K1J423-90320	612	K1J508-17014	574
K1J431-05870	592	K1J508-17240	572
K1J432-36420	502	K1J508-17270	572
K1J436-91012	574	K1J508-17310	572
K1J481-19880	604	K1J508-18762	576
K1J500-05850	592	K1J508-18930	578
K1J500-10600	566	K1J508-18940	578
K1J500-11650	566, 566, 566	K1J508-18950	578
K1J500-11810	566	K1J508-19260	588
K1J500-11840	564	K1J508-19270	588
K1J500-11980	564	K1J508-19360	588
K1J500-12230	574	K1J508-19370	588
K1J500-12314	568	K1J508-19510	588
K1J500-14503	514	K1J508-19520	588
K1J500-14530	514	K1J508-19580	590
K1J500-17320	570	K1J508-19600	52, 604
K1J500-17343	568	K1J508-19630	604
K1J500-17490	570, 572	K1J508-19653	52, 604
K1J500-17610	508	K1J508-19660	604
K1J500-18400	578	K1J508-19693	590
K1J500-18412	578, 578, 578	K1J508-19700	588
K1J500-18500	584	K1J508-19710	588
K1J500-18522	584	K1J508-19722	588
K1J500-18620	586	K1J508-19732	590
K1J500-18630	586	K1J508-19742	590
K1J500-18642	586	K1J508-19764	590
K1J500-18652	586	K1J508-19770	590
K1J500-18700	576	K1J508-19780	590
K1J500-18710	576	K1J508-19792	588
K1J500-18720	576	K1J508-19830	604
K1J500-18730	576	K1J508-19860	54, 604
K1J500-32290	598	K1J508-19890	604
K1J500-37012	598	K1J508-19900	604
K1J500-37150	598	K1J508-19910	604
K1J500-37180	598	K1J508-19920	604
K1J500-54560	566	K1J508-19990	604
K1J500-59670	548	K1J508-21050	518, 610
K1J500-65055	550	K1J508-21090	518, 610
K1J500-65390	554	K1J508-21110	518, 610
K1J500-65452	566	K1J508-21770	610
K1J500-71810	570	K1J508-21780	610
K1J500-71820	570	K1J508-21910	518, 610
K1J500-71830	570	K1J508-24610	526
K1J500-71840	570	K1J508-24650	526, 526
K1J500-73060	558	K1J508-24690	526
K1J500-73310	558	K1J508-33060	596
K1J500-73352	556	K1J508-33360	596

K1J508-33690	596	K1J530-91510	574
K1J508-37160	598	K1J530-91530	574
K1J508-42110	532	K1J542-91632	502, 508, 568
K1J508-42210	532	K1J542-92500	568, 572, 574
K1J508-42850	538	K1J550-12350	568
K1J508-50500	526	K1J550-17100	574
K1J508-50600	538	K1J550-21310	518, 610
K1J508-51150	526	K1J550-32110	504
K1J508-51170	526	K1J550-33670	596
K1J508-51180	526	K1J550-71352	502
K1J508-51320	526	K1J550-73762	558
K1J508-53070	536	K1J550-96730	536
K1J508-53710	536	K1J553-33240	596
K1J508-53720	536	K1J574-03026	508, 510
K1J508-53730	536	K1J574-03410	508
K1J508-53740	536	K1J574-13710	570
K1J508-53750	538	K1J574-14353	512
K1J508-62700	570	K1J574-16014	520
K1J508-65060	552	K1J574-16512	520
K1J508-65070	552	K1J574-16913	520
K1J508-65080	552	K1J574-21982	518, 610
K1J508-65090	588	K1J574-22014	518
K1J508-65170	554	K1J574-42500	536
K1J508-65210	554	K1J574-52130	526
K1J508-65220	554	K1J574-53150	536
K1J508-65230	554	K1J574-54280	566
K1J508-65240	554	K1J574-59680	548
K1J508-65320	554	K1J574-59710	548, 548
K1J508-65330	554	K1J574-65340	550
K1J508-65370	554	K1J574-65830	514
K1J508-65380	554	K1J574-96660	526
K1J508-65390	588, 588	K1J574-96750	548, 548
K1J508-71410	572	K1J583-33040	596
K1J508-71430	572	K1J770-05810	618
K1J508-71450	572	K1J770-18510	584
K1J508-71460	558	K1J803-17410	570
K1J508-71470	558	K1J803-17430	570, 572
K1J508-92920	526	K1J860-95790	538, 596, 596
K1J508-95780	538	K1K011-92030	542
K1J508-97640	588	K1K012-63030	546
K1J509-01750	508	K1K012-63040	546
K1J509-05030	594	K1K012-63050	546
K1J509-05640	592	K1K012-63070	546
K1J509-05820	594	K1K012-63200	546
K1J509-11772	564	K1K012-63210	546
K1J509-19380	588	K1K012-63280	546
K1J509-65390	588	K1K012-63320	546
K1J509-75820	592	K1K012-63370	546
K1J510-96650	538	K1K012-63380	546
K1J520-10700	44, 606	K1K012-63390	546
K1J520-12230	46, 588, 606	K1K012-63760	546
K1J520-18420	578	K1K946-32370	42, 606
K1J520-18600	584	K1K946-32610	42, 606
K1J520-91540	576	K1K946-32630	42, 606
K1J530-91500	574	K1K947-95790	530

K1K984-05580	592
K28857008	374
K28857009	374
K28857010	356, 374
K28857011	356, 356, 374, 374, 376, 376
K28857012	356, 376
K33430-82760	596
K35466-74460	592, 592
K3F261-78120	542
K3F261-78130	542
K3N300-75210	70, 606
K3T200-42110	608
K5H601-41940	548
K5H833-77242	608
K6A671-75342	540
K6C040-82690	546
KE9151-33140	598
KHH1C0-32430	42, 600, 606, 618
KMR003-40410	42, 606
KRD451-51360	224, 534
KRD451-51910	534
KRD451-51920	534
KRD451-51930	534
KRD451-51940	534
KRD451-51950	534
KRD451-51960	534
Y129150-49100	48