

LIGHT TOWER

RL™ 4



Genie®

A TEREX BRAND

TAKING YOU **HIGHER™**

GENIELIFT.ME

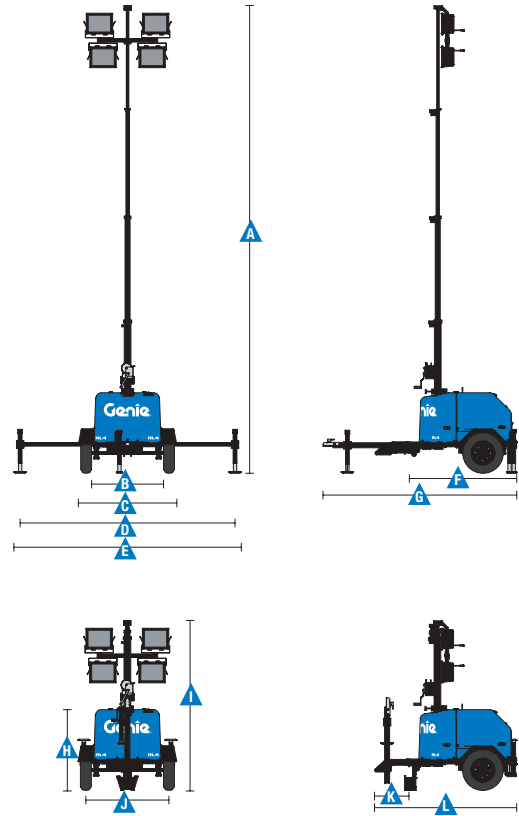


Light Tower

RL™ 4

Specifications

Models	RL™ 4	
Measurements	US	Metric
A Mast height	23.4 ft	7.13 m
B Inside track width	43 in	109 cm
C Width - stowed	59 in	150 cm
D Width - deployed	128 in	325 cm
E Width - operating	136 in	345 cm
F Length - to step	64 in	163 cm
G Length - overall	116 in	295 cm
H Height - cabinet	48 in	122 cm
I Height - stowed	102 in	259 cm
J Track width	49 in	124 cm
K Tongue length - stowed	21 in	53 cm
Length - stowed	85 in	216 cm
Fuel capacity	45 gal	170 L
Wheel size	13 in	33 cm
Axle rating	2,200 lbs	998 kg
Machine weight no fuel	1,461 lbs	663 kg
Tongue weight travel position	203 lbs	92 kg



Notice: Metal halide lamp bulbs contain mercury (Hg). Dispose of lamp bulbs according to local, state and federal laws.

Features

Durable 23ft/7m vertical mast with manual self-breaking winch, mast brake and 359 degree mast rotation for quick set up and light positioning

19" lamps 4 X 1000 W metal halide lights

Kohler 10.7 hp engine and 6kW generator which provides 90 hours of run time

Efficient design layout allows up to 17 units per truck load, with forks and lifting eye for quick loading and unloading

Rust proof polymer covers provide ample access for service and maintenance, with locking tabs for security

Platform to access lights and fold up tongue for transport

Standard engine protection includes high water temperature and low oil auto shutdown

Standard DOT approved run, stop and turn lights

Telematics ready

Chassis Options

Genie® branding and blue paint

Dome light with switch, 12V

Export racking and preparation

Multiple hitch configurations

Engine Options

6 kW, 60 Hz generator with 13.6 hp Kubota® diesel

7 kW, 50 Hz generator with 13.6 hp Kubota® diesel

8 kW, 60 Hz generator with 13.6 hp Kubota® diesel

Positive air shutdown

Fuel/water separator filter

Fuel/water separator with fuel line heater

Autostart

One T/L 30A/240V receptacle

Tower Options

4 horizontally mounted lights, spun aluminum square housing

19" lamps 4 X 1000W metal halide lights

Electric winch

Cold Weather Options

Cold weather package including: 800 CCA battery, battery heater blanket, engine block heater and low temperature coolant mix

United Kingdom and MESART

The Maltings, Wharf Road, Grantham NG31 6BH, T: +44 800 988 3739 (toll free), Fax +44 (0)1476 584334.

Middle East, Southern Africa, Russia and Turkey, T: +971 4 399 0381.

Visit www.genielift.com/en-gb/about-genie/locations to view our global locations list.

Worldwide Manufacturing And Distribution

Australia · Brazil · Caribbean · Central America · China · France · Germany · Italy · Japan · Korea · Mexico · Russia · Southeast Asia · Spain · Sweden · United Arab Emirates · United Kingdom · United States

Product specifications and prices are subject to change without notice or obligation. The photographs and/or drawings in this document are for illustrative purposes only. Refer to the appropriate Operator's Manual for instructions on the proper use of this equipment. Failure to follow the appropriate Operator's Manual when using our equipment or to otherwise act irresponsibly may result in serious injury or death. The only warranty applicable to our equipment is the standard written warranty applicable to the particular product and sale and we make no other warranty, express or implied. Products and services listed may be trademarks, service marks or trade names of Terex Corporation and/or their subsidiaries in the USA and many other countries. Genie is a registered trademark of Terex South Dakota, Inc. © 2019 Terex Corporation.

GEN1295 Updated: 08/19



www.genielift.com/en-gb