

SKYJACK

PARTS MANUAL

SJ45 AJ+

ARTICULATING BOOM



238271ACA

December 2021
ANSI/CSA, CE, AS

This manual is for MEWPs with serial numbers:

SJ45 AJ+: A301 100 001 - A301 199 999

Please refer to the website (www.skyjack.com) for contact information, other serial numbers, the most recent technical manuals, and USB software.

Table of Contents

Foreword.....	7
General.....	7
Parts Ordering Information.....	7
Method of Listing.....	7
Quantities.....	7
How To Order Repair Parts.....	7
Recommended Service Parts.....	8
Section 1 – Platform.....	11
1.1 Platform with Drop Bars.....	12
1.2 Platform with Swing Gate.....	14
1.3 Railings.....	16
1.4 Platform Base.....	18
1.5 Drop Bar Gate.....	20
1.6 Swing Gate.....	22
1.7 Platform Control Box.....	24
1.8 Boom / Turret Controller.....	28
1.9 Drive / Steer Controller.....	30
1.10 Riser Controller.....	32
1.11 Platform Terminal Strip.....	33
1.12 SGE.....	34
1.13 Footswitch.....	35
1.14 Power to Platform - CE & AS.....	36
1.15 Power to Platform - ANSI/CSA.....	38
Section 2 – Boom.....	39
2.1 Main & Fly Boom Assembly.....	40
2.2 Boom Limit Switches.....	44
2.3 Fly Boom.....	46
2.4 Riser.....	48
2.5 Cable Track.....	52
2.6 Jib.....	54
2.7 Jib Manifold.....	56
2.8 Rotary Actuator.....	58
Section 3 – Cylinders.....	59
3.1 Extension Cylinder.....	60
3.2 Lift Cylinder.....	62
3.3 Riser Cylinder Mounting.....	63

3.4	Riser Cylinder	64
3.5	Master Cylinder	65
3.6	Slave Cylinder	66
3.7	Jib Cylinder	67
3.8	Axle Lock Cylinder	68
Section 4 – Turret		69
4.1	Turret	70
4.2	Engine Tray	72
4.3	Counterweight	73
4.4	Cowling - Engine Side	74
4.5	Cowling - Controls Side	76
4.6	Cowling - Front	78
4.7	Manifold Hardware	80
4.8	Main Manifold	82
4.9	Brake Manifold	86
4.10	Fuel Tank - Kubota D1305	88
4.11	Fuel Tank - Kubota WG972	90
4.12	Hydraulic Tank	92
4.13	High Pressure Filter	94
4.14	Auxiliary Pump	95
4.15	Battery	96
4.16	Base Control Box	98
4.17	Base Terminal Strip	102
4.18	Grease Line	103
Section 5 – Base		105
5.1	Base	106
5.2	Axles	108
5.3	Hub Reduction - Front Axle - S/N A301 100 090 & above	110
5.4	Hub Reduction - Front Axle - S/N A301 100 089 & below	114
5.5	Differential - Front Axle	116
5.6	Central Housing - Front Axle	118
5.7	Steering Assembly	119
5.8	Trunnion	120
5.9	Drive Shaft	121
5.10	Hub Reduction - Rear Axle	122
5.11	Differential - Rear Axle	124
5.12	Brake - Rear Axle	126
5.13	Central Housing - Rear Axle	130
5.14	Gear Box - Rear Axle	132
5.15	Drive Motor	134
5.16	Tires	136

Section 6 – Engines	137
6.1 Kubota D1305 Engine	138
6.2 Air Intake & Exhaust - Kubota D1305	142
6.3 Fuel Lines - Kubota D1305	144
6.4 Kubota WG972 Engine	146
6.5 Air Intake & Exhaust - Kubota WG972	150
6.6 Regulator/Vaporizer Mount and Hoses	152
6.7 Propane Tank & Lines - Kubota WG972	154
6.8 Fuel Lines - Kubota WG972	156
6.9 Drive & System Pumps	158
Section 7 – Electrical Harnesses	161
7.1 Main Electrical & Fuel Level Switch Harnesses	162
7.2 Engine Harness - Kubota D1305	164
7.3 Engine Fuse Box - Kubota D1305	166
7.4 Engine Harness - Kubota WG972	168
7.5 ECU Power Harness - Kubota WG972	170
7.6 Fuel Pump Harness - Kubota WG972	171
7.7 Battery Cables	172
7.8 Control & CANbus Cables	174
7.9 Jib & Platform Rotate Valve Harnesses	175
Section 8 – Hydraulic Hoses	177
8.1 Standard Hose Numbering System	178
8.2 Boom Hoses	180
8.3 Turret Hoses	182
8.4 Base Hoses	184
Section 9 – Optional Equipment	187
9.1 Flashing Light	188
9.2 Oil Quick Drain	189
9.3 Welder & Mount	190
9.4 Generator - 3.5 kW	194
9.5 Generator - 7.5 kW	196
9.6 Glazier Tray	200
9.7 Control Box Cover	202
9.8 Pipe Rack	204
9.9 Tool Caddy	206
9.10 Half-Height Platform Mesh	208
9.11 External Railing	212
9.12 Positive Air Shut-off	214
9.13 White Noise Alarm	216
9.14 Elevate Telematics	218
9.15 Elevate Telematics Subscription	220

Section 10 – Labels	221
10.1 Label Kit	222
10.2 Labels - Front and Back	223
10.3 Labels - Left & Right Sides	224
10.4 Labels - Platform	226
10.5 Labels - Controls Compartment	228
10.6 Labels - Engine Compartment	230

Foreword

General

The information contained in this manual is designed to aid the user in locating and identifying replacement parts. Component parts of various assemblies and subassemblies comprising the work platform are illustrated and accompanied by a descriptive parts list. Exploded drawings are used to show relative location of component parts in disassembly order. If a part cannot be found in this manual, contact your local Skyjack Parts Department for assistance.

Parts Ordering Information

When ordering replacement parts, the complete part number and description should be used to ensure proper identification and delivery of the desired item. This complete identification should also be used when requesting equipment information.

Method of Listing

Parts are listed in order according to the reference number shown in the illustration, followed by a full description based upon the "NOUN FIRST" method. That is, the noun name of the part is listed first, then the modifying description information which serves to specifically identify the item. For example: PIN, Clevis.

Assemblies at the beginning of a parts list may be identified with a reference letter: A, B, C, etc. These letters are used to identify different configurations of the assembly. Individual parts in these lists have corresponding letters after their description to identify which assembly it is used in. If a part does not have a reference letter, it is used in all of the assemblies.

Bullets (•) are used to show the assembly structure, or parent/child relationship. A part listed at the beginning of the parts list without a bullet before the description is the main assembly, and all of the parts below it with one bullet are the subcomponent parts of that assembly. Two bullets denote a subcomponent of a subcomponent, etc.

Example:

Main Assembly A

- Part 1 (subcomponent of Main Assembly A)
- Part 2 (subcomponent of Main Assembly A)
- • Part 3 (subcomponent of Part 2)

Quantities

The quantities required to complete the assembly are given for each part. If the quantity is (AR), it is understood that the quantity may vary when the machine is equipped with certain options. Order quantity as needed.

How To Order Repair Parts

1. Address all orders to your local SKYJACK dealer.
2. Specify model and serial number of the work platform (found on the serial number plate).
3. List the quantity needed.
4. List the length needed (if it is a bulk item).
5. List the part number and description as shown in this manual for each item.
6. Show the billing and shipping address and the name of the individual, if possible.
7. Suggest the best routing.

Customer: _____

Dealer: _____

Model Number: _____

Serial Number: _____

Date Purchased: _____

USE ONLY SKYJACK AUTHORIZED REPLACEMENT PARTS!

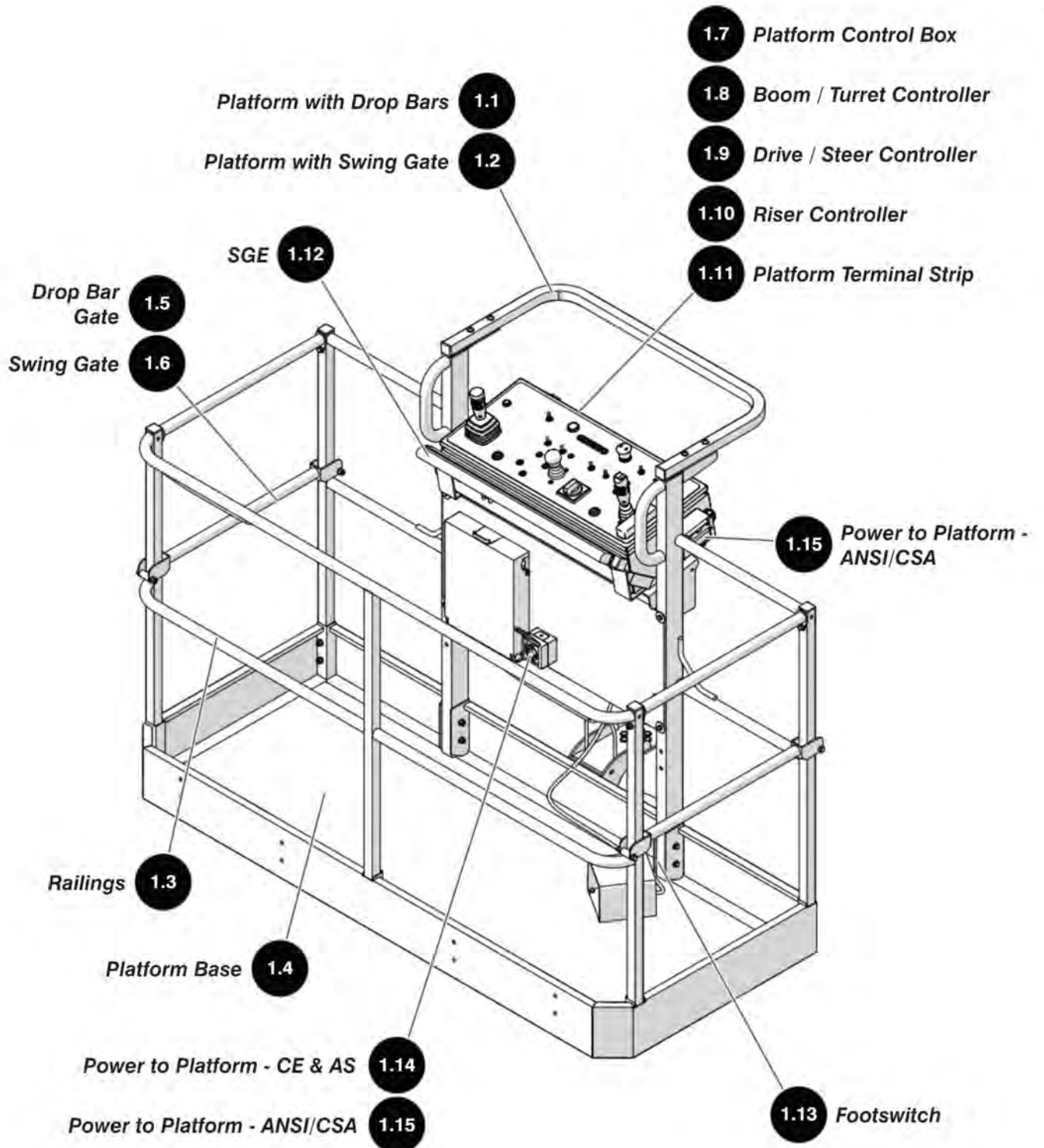
Recommended Service Parts

Description	Year 1 Qty	Year 2 Qty	Year 3 Qty	Skyjack Part No.
Engine - Kubota D1305				
CARTRIDGE, Oil filter	2	2	2	119932
FILTER, Fuel	2	2	2	236089
ELEMENT, Air cleaner	2	2	2	132913
THERMOSTAT	0	0	1	136109
BELT, Fan	0	0	1	236079
PUMP, Fuel transfer	1	1	1	236080
STARTER	0	0	1	236072
ALTERNATOR	0	0	1	236073
Engine - Kubota WG972				
ELEMENT, Air cleaner	2	2	2	132913
ALTERNATOR	0	0	1	237570
BELT, Fan	0	1	1	136114
ELEMENT, Fuel Filter	2	2	2	136118
PUMP, Fuel	1	1	1	163557
FILTER, LP	0	1	1	142300
FILTER, Oil	2	2	2	237654
SPARK PLUG	3	3	3	166642
STARTER	0	0	1	159216
THERMOSTAT	0	0	1	237573
Electrical				
BATTERY	2	2	2	144676
RELAY, Micro	5	5	5	931298
SOCKET, Micro relay	1	1	1	218997
SWITCH, Toggle	2	2	2	102853
SWITCH, Toggle	1	1	1	148988
SWITCH, Toggle	1	1	1	138278
SWITCH, Toggle	1	1	1	115747
SWITCH, Toggle	1	1	1	124446
SWITCH, Toggle	1	1	1	115574
BLOCK, N.C. Contact (red plunger, key switch and e-stop)	1	1	1	147053
BLOCK, N.O. Contact (black plunger, key switch)	1	1	1	166141
BLOCK, N.C. Contact (yellow plunger, key switch)	1	1	1	166142
SWITCH, Limit - riser up	0	1	1	199546
SWITCH, Limit - boom extension	0	1	1	207016

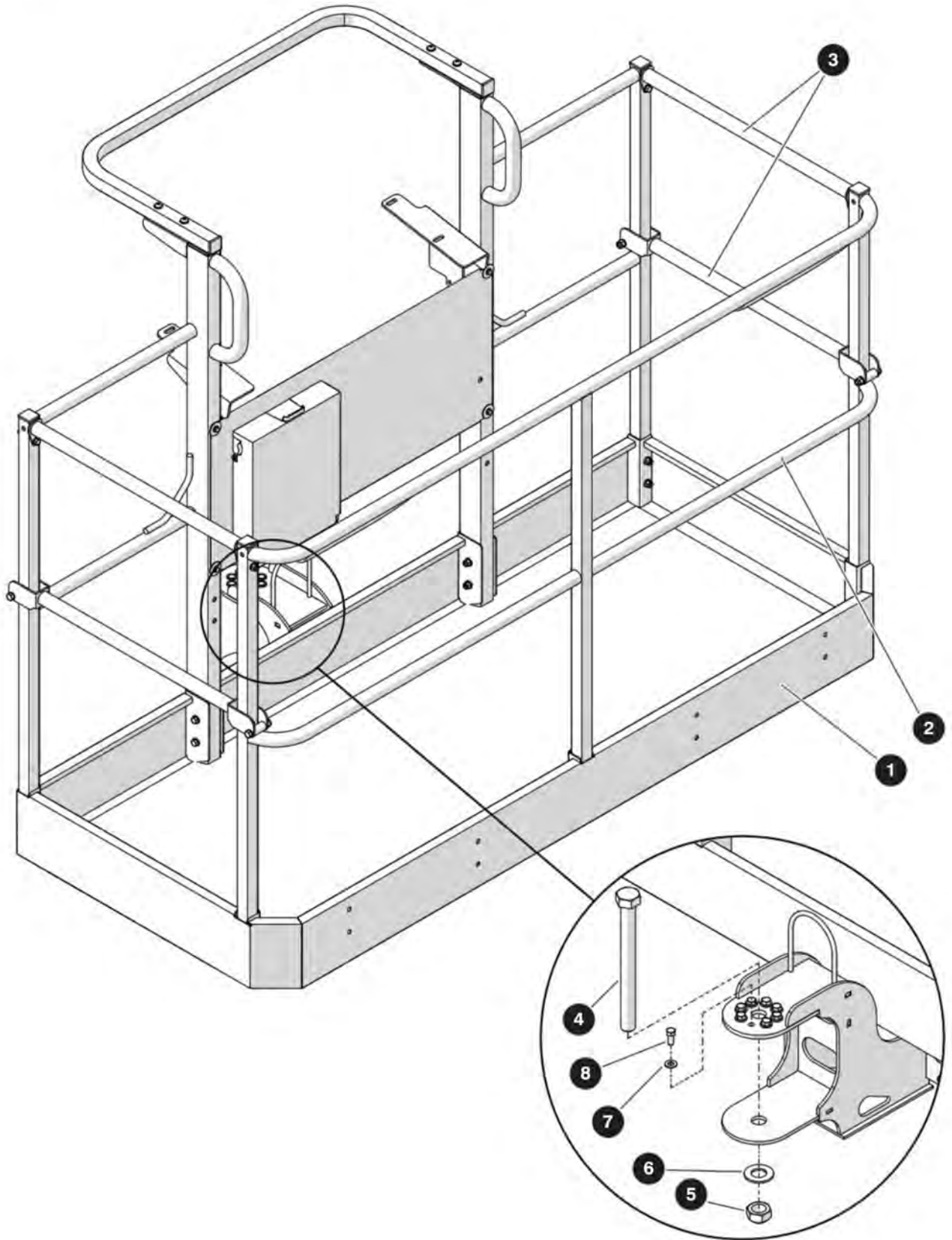
Recommended Service Parts

Description	Year 1 Qty	Year 2 Qty	Year 3 Qty	Skyjack Part No.
SWITCH, Limit - boom angle	0	1	1	207017
SWITCH, Limit - direction sensing	0	1	1	199486
COIL, Valve	0	1	1	159819
KIT, Drive/steer joystick handle	0	1	1	141338
KEY	2	2	4	104466
Hydraulic				
ELEMENT, High pressure filter - hydraulic	1	1	1	161947
ELEMENT, Return filter - hydraulic	2	2	2	161949
SEAL KIT, Extension cylinder - SJ46AJ	0	0	1	154537
SEAL KIT, Extension cylinder - SJ51AJ	0	0	1	154655
SEAL KIT, Lift cylinder	0	0	1	154528
SEAL KIT, Riser cylinder	0	0	1	154562
SEAL KIT, Master cylinder	0	0	1	154524
SEAL KIT, Slave cylinder	0	0	1	152254
SEAL KIT, Jib cylinder	0	0	1	154549
SEAL KIT, Axle lockout cylinder	0	0	1	154557
SEAL KIT, Rotary actuator	0	0	1	144709
SEAL KIT, Steer cylinder	0	0	1	168050
Boom				
SHIM, 16 gauge (top)	0	1	1	148829
SHIM, 20 gauge (top)	0	1	1	148830
SHIM, 16 gauge (side)	0	1	1	148837
SHIM, 20 gauge (side)	0	1	2	148838
PAD, Wear - top	0	1	2	148827
PAD, Wear - bottom	0	1	2	148826
Cowling				
LATCH, Flexible draw	2	2	2	144002
Axles				
SEAL, Differential pinion - front axle	0	0	1	140976
SEAL, Planetary hub - front and rear axle	0	0	1	154631
O-RING, Planetary hub - front axle	0	0	1	140970
SEAL, Inner axle shaft - front axle	0	0	1	154625
SEAL, Outer axle shaft - front axle	0	0	1	154625
SEAL, Differential pinion - rear axle	0	0	1	141074
O-RING, Planetary hub - rear axle	0	0	1	140970

Section 1 – Platform



1.1 Platform with Drop Bars



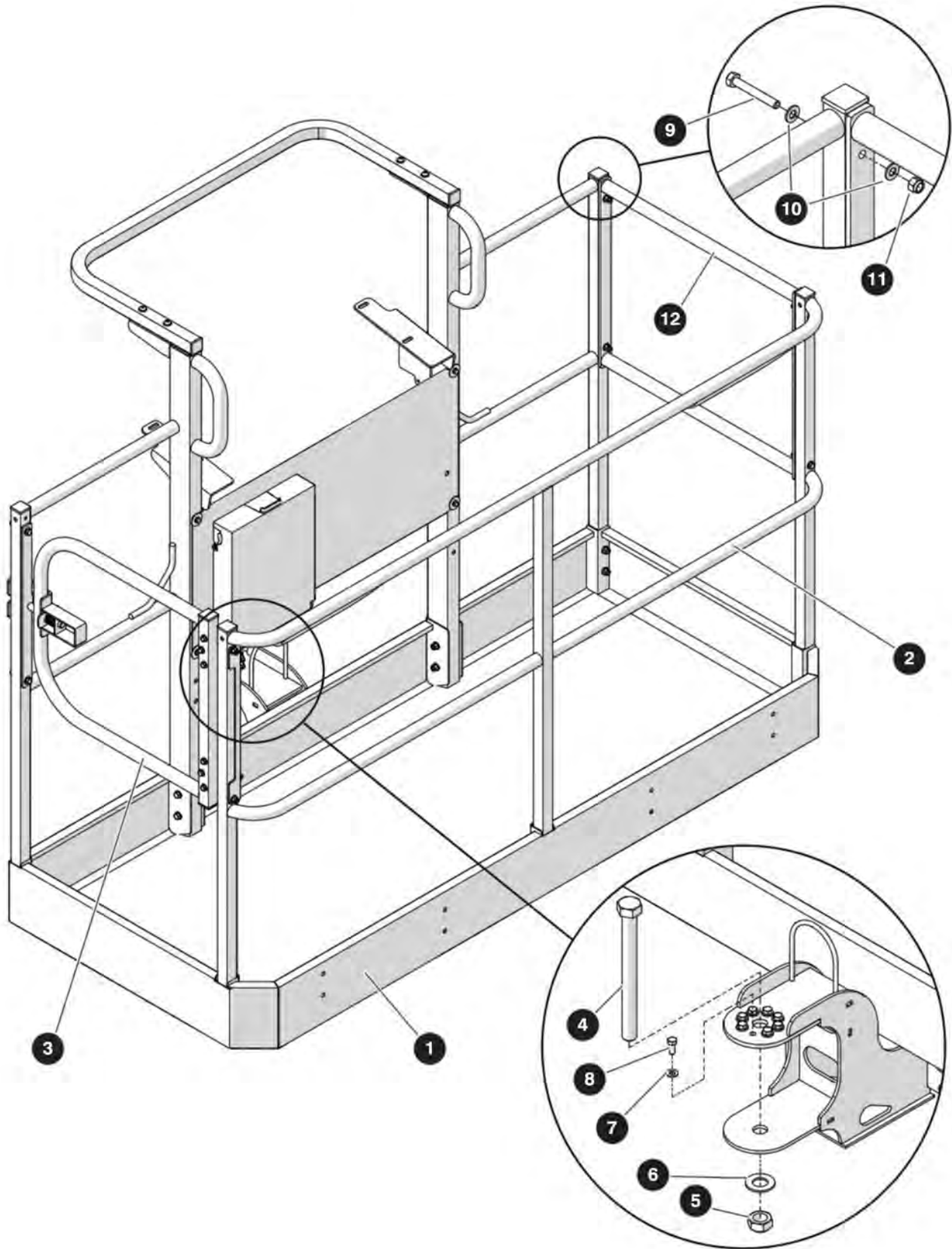
M163273AB

238271ACA

1.1 Platform with Drop Bars

Index No.	Skyjack Part No.	Qty.	Description
-	218723	1	PLATFORM ASSEMBLY - 6' with Drop Bar
-	218725	1	PLATFORM ASSEMBLY - 5' with Drop Bar
1	(Ref.)	1	<ul style="list-style-type: none"> RAILINGS (For components, refer to 1.3 Railings)
2	(Ref.)	1	<ul style="list-style-type: none"> PLATFORM BASE (For components, refer to 1.4 Platform Base)
3	(Ref.)	2	<ul style="list-style-type: none"> GATE, Drop (For components, refer to 1.5 Drop Bar Gate)
4	138696	1	<ul style="list-style-type: none"> BOLT, Hex head (1"-8 x 10-1/2" Grade 8, zinc)
5	138559	1	<ul style="list-style-type: none"> NUT, Torque lock (1"-8 Grade 8)
6	102646	1	<ul style="list-style-type: none"> WASHER, Flat (1")
7	125959	8	<ul style="list-style-type: none"> WASHER, Flat (3/8")
8	139193	8	<ul style="list-style-type: none"> BOLT, Hex head (3/8"-16 x 0.78", Grade 8)
9	173200	1	MANUAL OF RESPONSIBILITIES (not shown)

1.2 Platform with Swing Gate



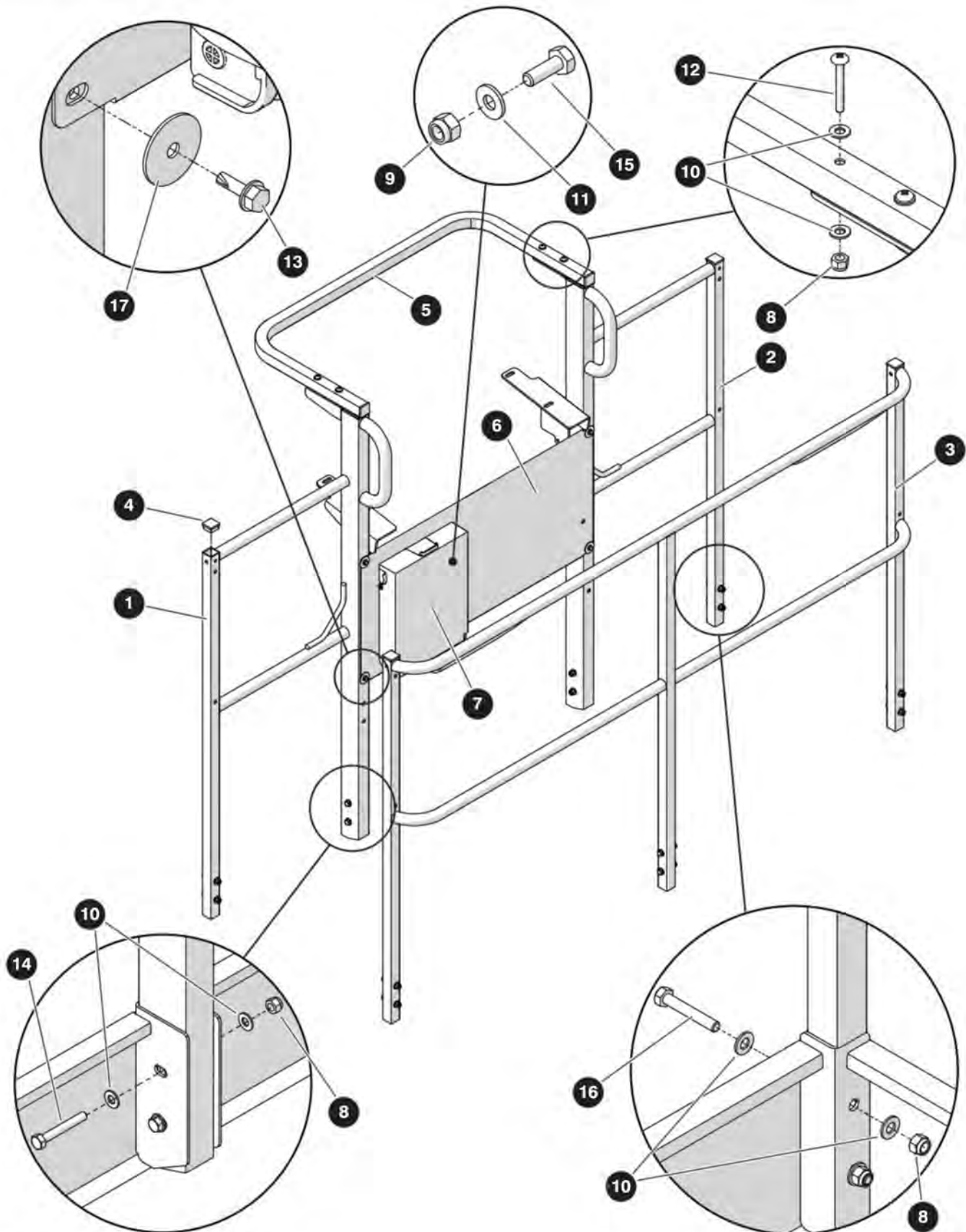
M163274AB

238271ACA

1.2 Platform with Swing Gate

Index No.	Skyjack Part No.	Qty.	Description
-	218724	1	PLATFORM ASSEMBLY - 6' with Swing Gate
-	218726	1	PLATFORM ASSEMBLY - 5' with Swing Gate
1	(Ref.)	1	<ul style="list-style-type: none"> RAILINGS (For components, refer to 1.3 Railings)
2	(Ref.)	1	<ul style="list-style-type: none"> PLATFORM BASE (For components, refer to 1.4 Platform Base)
3	(Ref.)	1	<ul style="list-style-type: none"> SWING GATE (For components, refer to 1.6 Swing Gate)
4	138696	1	<ul style="list-style-type: none"> BOLT, Hex head (1"-8 x 10-1/2" Grade 8, zinc)
5	138559	1	<ul style="list-style-type: none"> NUT, Torque lock (1"-8 Grade 8)
6	102646	1	<ul style="list-style-type: none"> WASHER, Flat (1")
7	125959	8	<ul style="list-style-type: none"> WASHER, Flat (3/8")
8	139193	8	<ul style="list-style-type: none"> BOLT, Hex head (3/8"-16 x 0.78", Grade 8)
9	103866	4	<ul style="list-style-type: none"> BOLT, Hex head (5/16"-18 x 2-1/4", gr 5)
10	103996	8	<ul style="list-style-type: none"> WASHER, Flat (5/16")
11	103984	4	<ul style="list-style-type: none"> NUT, Lock (5/16"-18, gr 5)
12	159416	1	<ul style="list-style-type: none"> RAILING, Side
13	173200	1	MANUAL OF RESPONSIBILITIES (not shown)

1.3 Railings



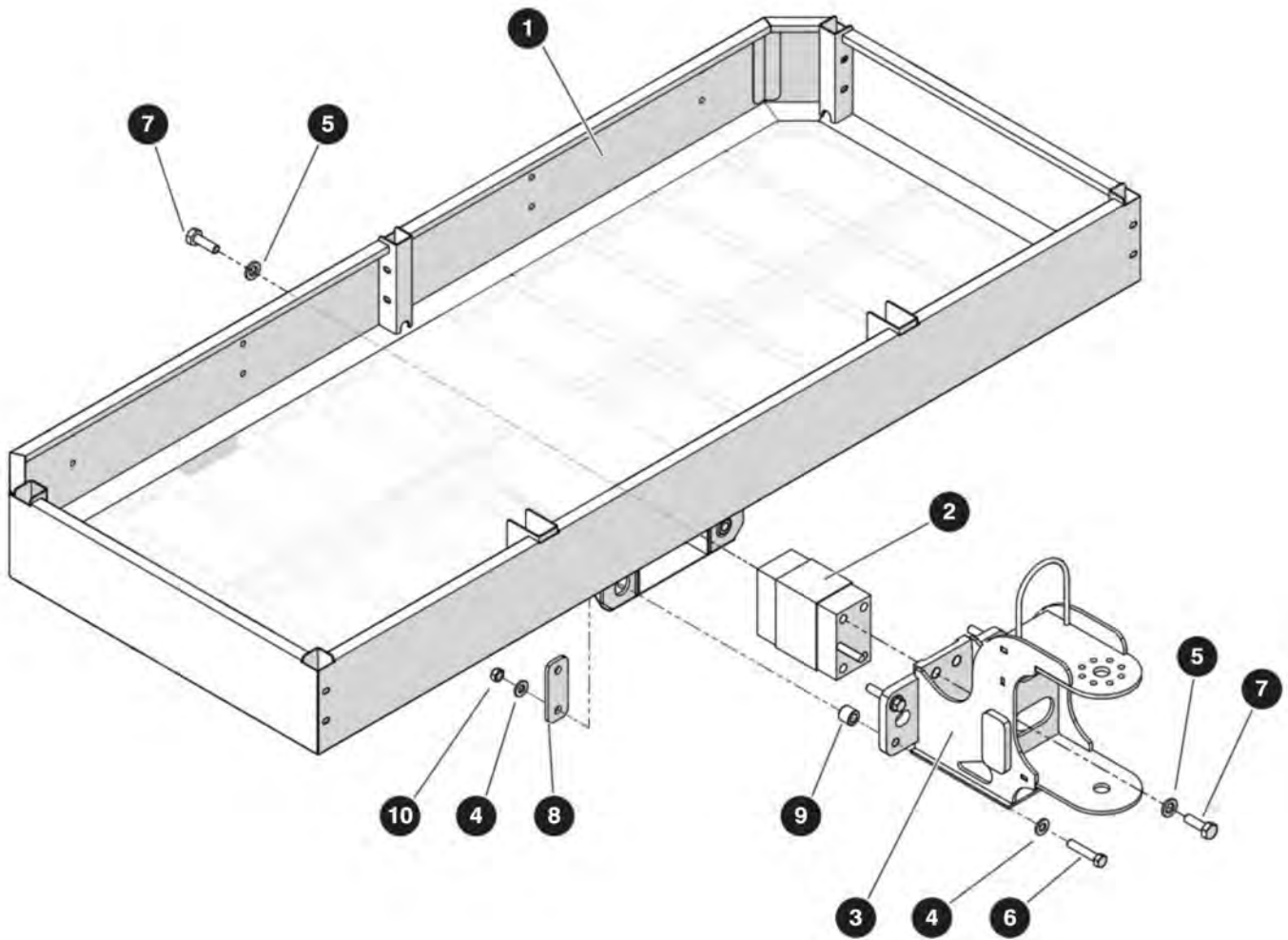
M218716AB

238271ACA

1.3 Railings

Index No.	Skyjack Part No.	Qty.	Description
A	-	1	RAILINGS - 6' platform
B	-	1	RAILINGS - 5' platform
1	160997	1	• RAILING, Front left, A
	160996	1	• RAILING, Front left, B
2	160999	1	• RAILING, Front right, A
	160998	1	• RAILING, Front right, B
3	165820	1	• RAILING, Rear, A
	165823	1	• RAILING, Rear, B
4	100702	6	• CAP, Plastic end
5	149098	1	• RAILING, Front
6	159586	1	• PLATE, Front guard
7	198789	1	• MANUAL BOX
8	103984	18	• NUT, Hex lock (5/16"-18 Grade 5, nylon)
9	115649	4	• NUT, Hex lock (1/4"-20 Grade 5, nylon)
10	103996	36	• WASHER, Flat (5/16")
11	103995	4	• WASHER, Flat (1/4")
12	139008	4	• SCREW, Round head machine (5/16"-18 x 2")
13	103632	4	• SCREW, Hex head self tapping (1/4"-14 x 3/4")
14	103866	4	• BOLT, Hex head (5/16"-18 x 2 1/4" Grade 5)
15	103856	4	• BOLT, Hex head (1/4"-20 x 3/4" Grade 5)
16	103865	10	• BOLT, Hex head (5/16"-18 x 2" Grade 5)
17	700598	4	• WASHER, Fender
18	207981	1	• BAG, Resealable (not shown)
19	173200	1	MANUAL, Manual of responsibilities (not shown)

1.4 Platform Base



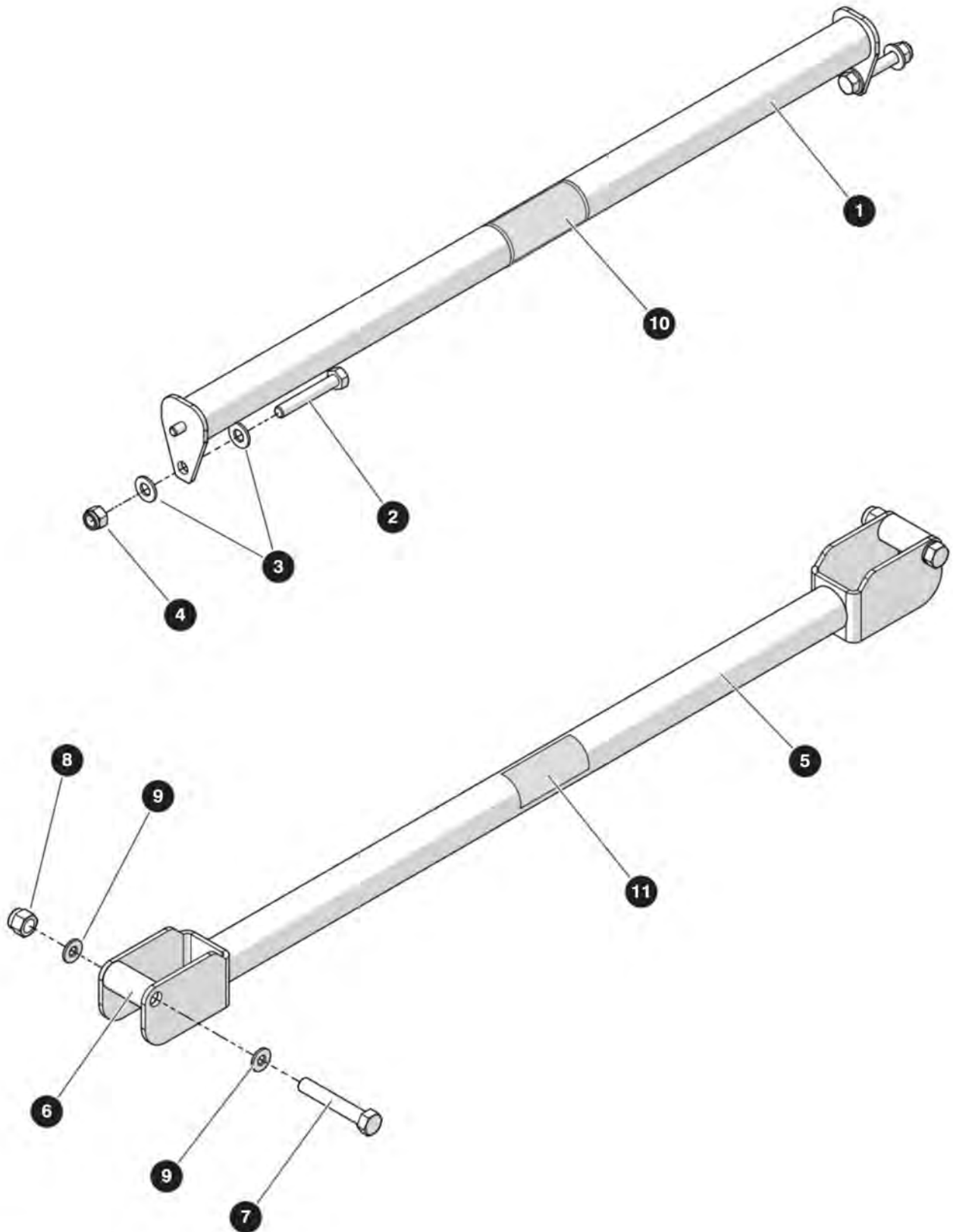
M218716AB-1

238271ACA

1.4 Platform Base

Index No.	Skyjack Part No.	Qty.	Description
1	218664	1	<ul style="list-style-type: none"> • PLATFORM BASE - 6' platform
	218678	1	<ul style="list-style-type: none"> • PLATFORM BASE - 5' platform
2	218368	1	<ul style="list-style-type: none"> • LOAD CELL, CAN MOBA
3	216296	1	<ul style="list-style-type: none"> • MOUNT, Rotary Actuator
4	104379	8	<ul style="list-style-type: none"> • WASHER, Flat hardened (1/2")
5	217844	8	<ul style="list-style-type: none"> • WASHER, Flat hardened structural (M16)
6	144575	4	<ul style="list-style-type: none"> • BOLT, Hex head (1/2"-13 x 2-1/2" gr 8)
7	144362	8	<ul style="list-style-type: none"> • BOLT, Hex head patch (M16 x 1.5 x 45 gr 8.8)
8	144365	2	<ul style="list-style-type: none"> • WASHER, Safety
9	144574	4	<ul style="list-style-type: none"> • SPACER, Load cell
10	138791	4	<ul style="list-style-type: none"> • NUT, Torque lock (1/2"-13 gr C)

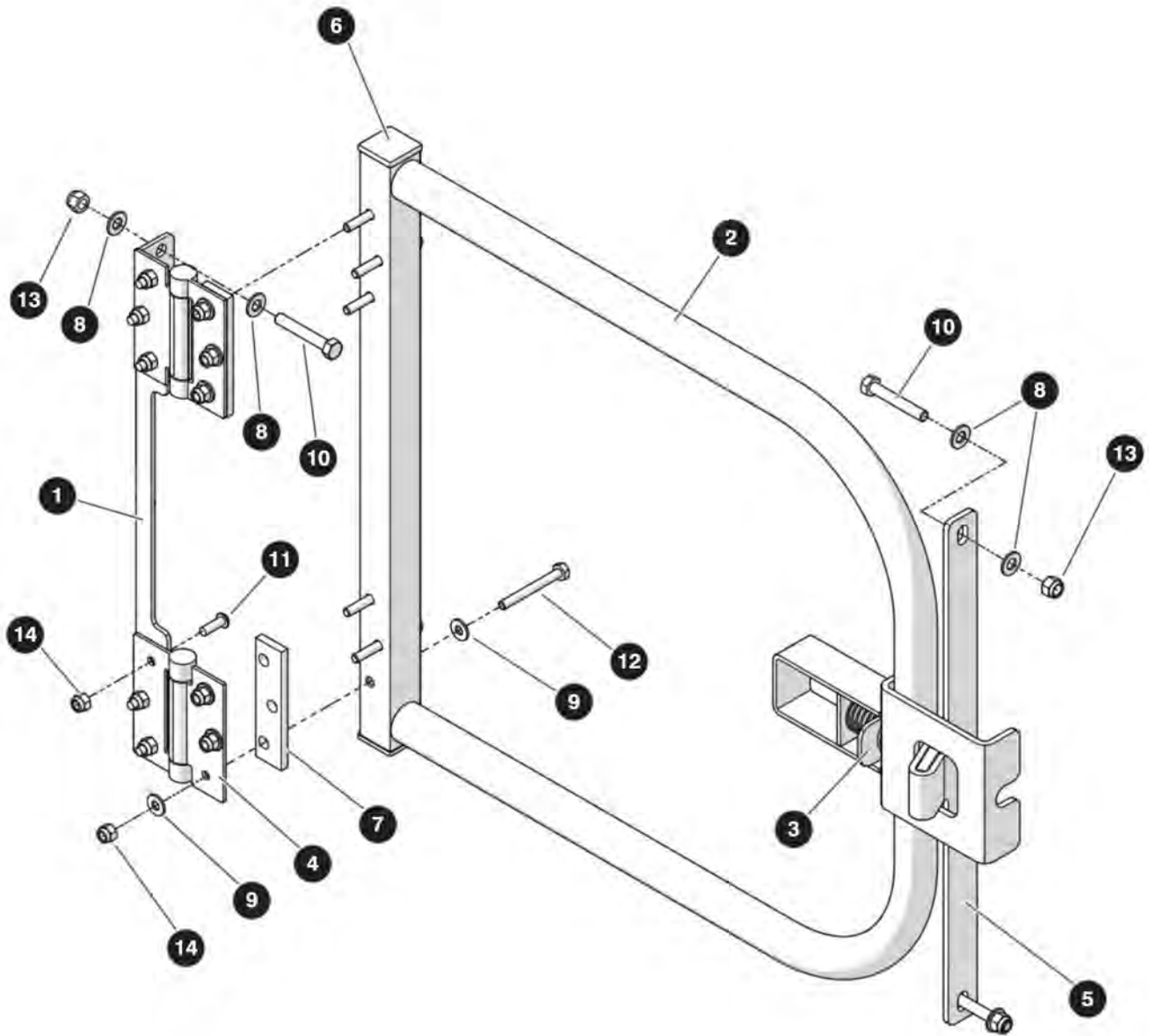
1.5 Drop Bar Gate



1.5 Drop Bar Gate

Index No.	Skyjack Part No.	Qty.	Description
-	194069	1	DROP BAR GATE FIELD KIT
-	171986	3	• DROP BAR ASSEMBLY
1	160708	1	• • WELDMENT, Tie bar
2	103865	2	• • BOLT, Hex head (0.312"-18 x 2.00" gr 5)
3	103996	4	• • WASHER, Flat (0.312")
4	103984	2	• • NUT, Hex head nylon lock (0.312"-18 gr 5)
-	162965	1	• • DROP BAR ASSEMBLY
5	162958	1	• • • WELDMENT, Drop bar
6	154386	2	• • • SPACER (3/8" ID x 3/4" OD x 1.375" lg)
7	103872	2	• • • BOLT, Hex head (3/8"-16 x 2.25" gr 5)
8	104606	2	• • • NUT, Hex head nylon lock (3/8"-16 gr 5)
9	103472	4	• • • WASHER, Flat (3/8")
10	137988	3	• LABEL, Crush/pinch hazard
11	115543	3	• LABEL, "No step"
12	194067	1	• INSTRUCTION, Drop bar installation (not shown)

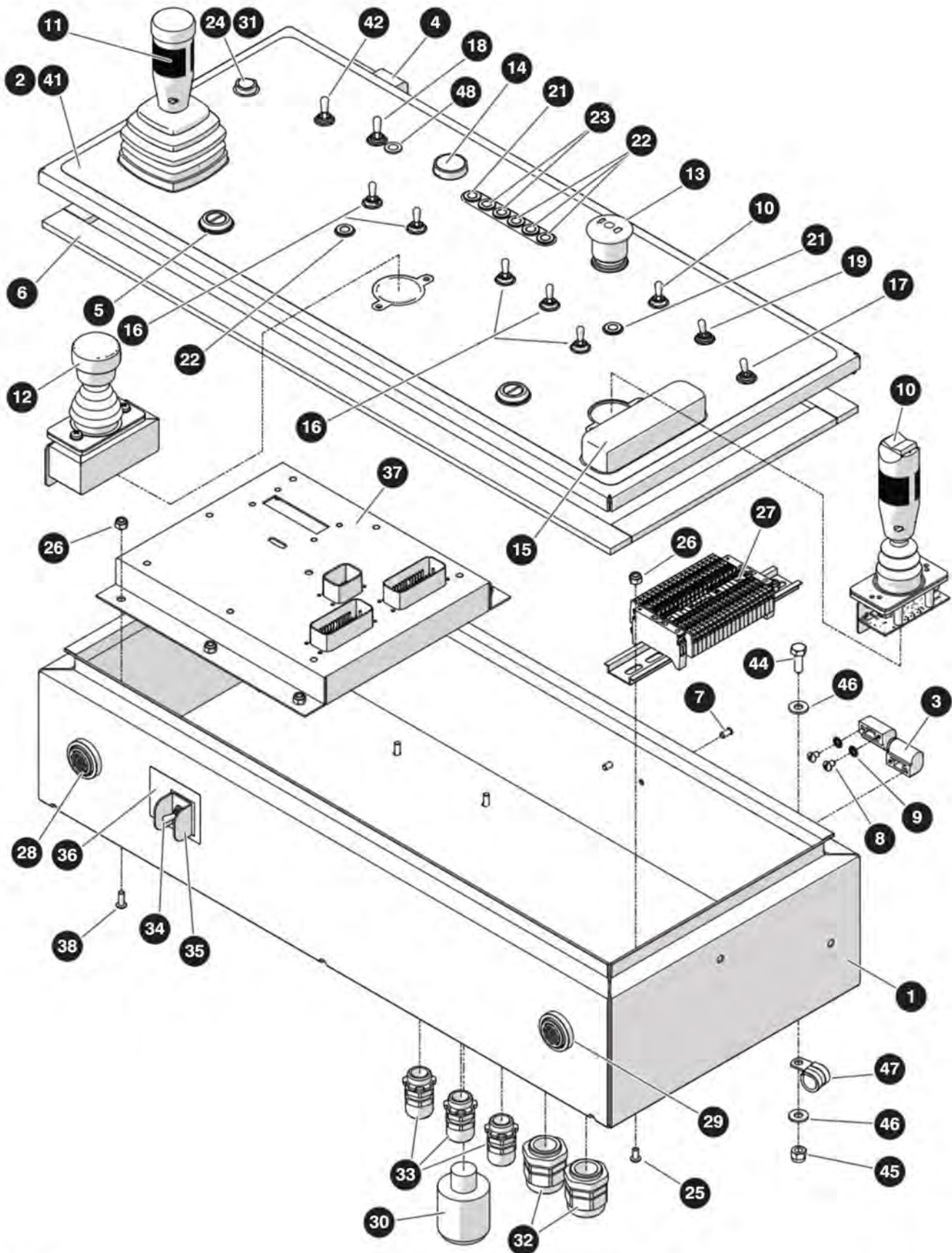
1.6 Swing Gate



1.6 Swing Gate

Index No.	Skyjack Part No.	Qty.	Description
A	164589	1	SWING GATE (30" x 60")
B	164618	1	SWING GATE (30" x 72")
1	164590	1	• BRACKET, Hinge mounting
2	164593	1	• WELDMENT, Gate A
	164619	1	• WELDMENT, Gate B
3	110824	1	• PIN LATCH, Door spring
4	209527	2	• HINGE, Spring
5	166288	1	• PLATE, Locking A
5	166287	1	• PLATE, Locking B
6	100702	2	• CAP, End
7	164592	2	• TAB, Hinge
8	103996	10	• WASHER, Flat (5/16")
9	103995	12	• WASHER, Flat (1/4")
10	103865	5	• BOLT, Hex head (5/16"-18 x 2.00", Grade 5)
11	139168	6	• BOLT, Button head cap screw (1/2"-20 x 0.75", Grade 5)
12	103862	6	• BOLT, Hex head (1/4"-20 x 2.25", Grade 5)
13	103984	5	• NUT, Hex head nylon lock (5/16"-18, Grade 5)
14	115649	12	• NUT, Hex head nylon lock (1/4"-20, Grade 5)

1.7 Platform Control Box



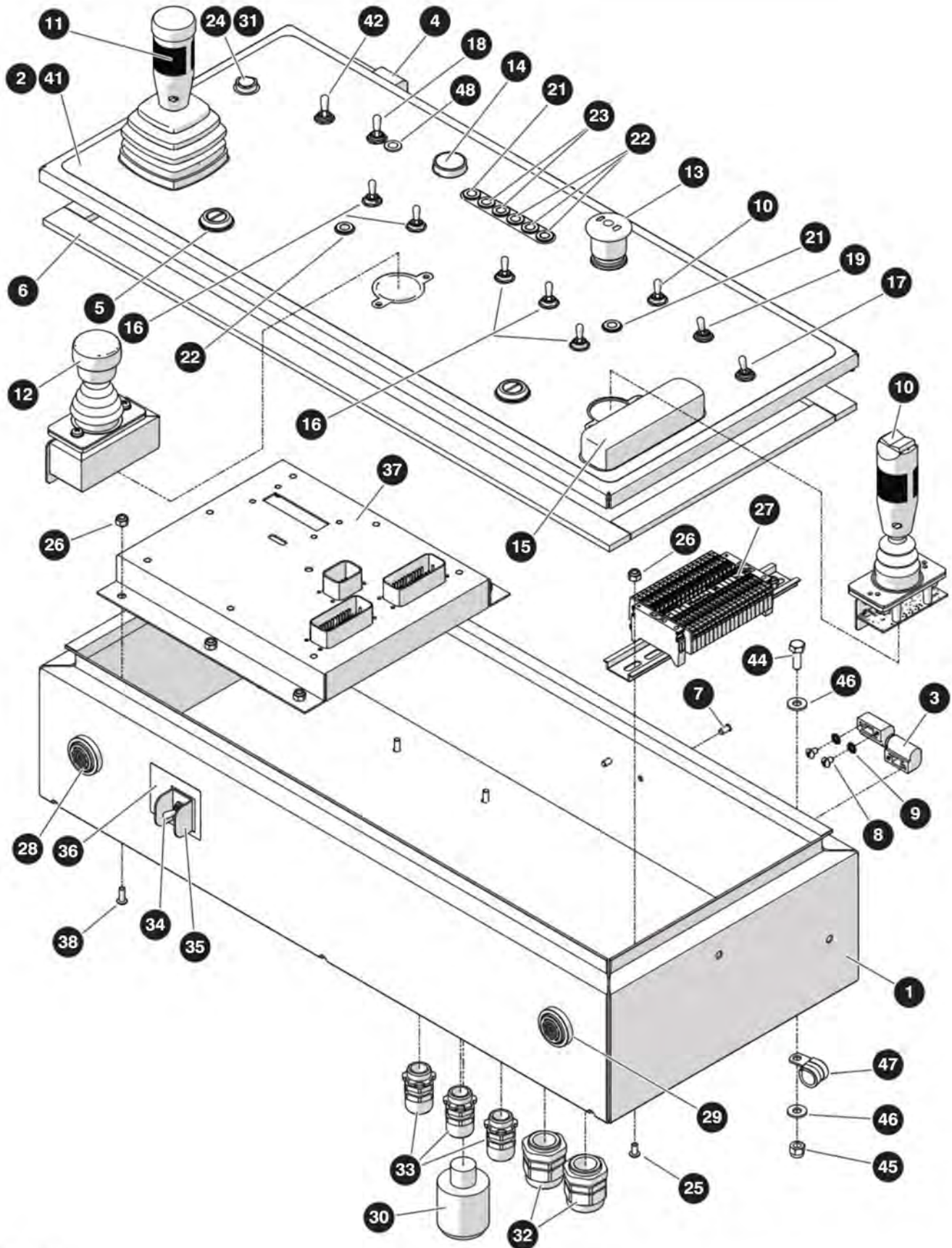
M218375AH

238271ACA

1.7 Platform Control Box

Index No.	Skyjack Part No.	Qty.	Description
-	218375	1	PLATFORM CONTROL BOX
-	218345	1	• CONTROL BOX, Platform
1	218346	1	• • BODY, Control box
2	218421	1	• • LID, Control box
3	149384	1	• • HINGE, Nylon (Left hand)
4	149385	1	• • HINGE, Nylon (Right hand)
5	138715	2	• • LATCH, Slotted door
6	138334	1	• • WEATHER STRIP, Cut
7	159879	2	• • STUD, Aluminum (#10-32 x 3/8")
8	103959	8	• • SCREW, Round head machine (#10-24 x 1/4")
9	163512	8	• • WASHER, Lock (#10)
10	(Ref.)	1	• CONTROLLER, Drive / Steer (For components, refer to 1.9 Drive / Steer Controller)
11	(Ref.)	1	• CONTROLLER, Boom / Turret (For components, refer to 1.8 Boom / Turret Controller)
12	(Ref.)	1	• CONTROLLER, Riser (For components, refer to 1.10 Riser Controller)
13	144647	1	• SWITCH, E-stop
	147056	1	• • LATCH, Mounting
	147229	1	• • SWITCH, LED Block (Red)
	147053	2	• • BLOCK, NC Contact
	147051	1	• • SWITCH HEAD, Emergency stop
14	144648	1	• PUSHBUTTON, Horn
	147056	1	• • LATCH, Mounting
	147054	1	• • BLOCK, NO Contact
	147058	1	• • SWITCH HEAD, Horn pushbutton
15	149402	1	• HANDREST
16	102853	6	• SWITCH, Toggle (1NT1-7)
17	115747	1	• SWITCH, Toggle (1NT1-3)
18	124446	1	• SWITCH, Toggle (2NT1-50)
19	115574	1	• SWITCH, Toggle (1NT1-2)
20	144016	9	• SEAL, Panel bushing (not shown)
21	213303	2	• LIGHT, LED - green
22	213307	4	• LIGHT, LED - amber
23	213308	2	• LIGHT, LED - red
24	166087	1	• PUSHBUTTON, Yellow
25	115545	2	• SCREW, Round head machine (#10-32 x 3/8")
26	300450	8	• NUT, Hex lock (#10-32 Grade 5, nylon)
27	(Ref.)	1	• PLATFORM TERMINAL STRIP (For components, refer to 1.11 Platform Terminal Strip)
28	103057	1	• BEEPER, 4-28VDC Slow pulsing
29	144387	1	• ALARM, Overload
30	166110	1	• ALARM/FLASHER, 12V red light
31	166086	1	• BODY, Contact block - N/O yellow LED 12-24 V
32	116266	2	• CONNECTOR, Strain relief (PG21)
33	103036	3	• CONNECTOR, Strain relief (1/2")
34	218481	1	• SWITCH, Toggle (1NT1-3D)

1.7 Platform Control Box



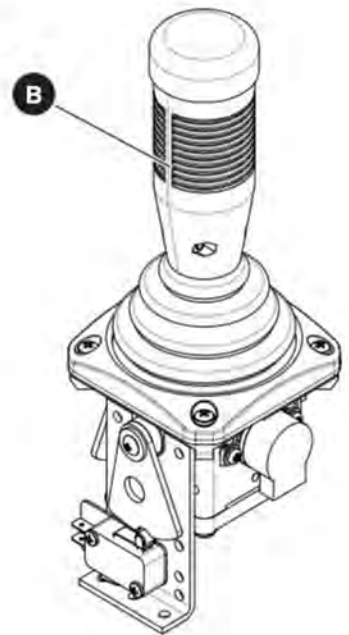
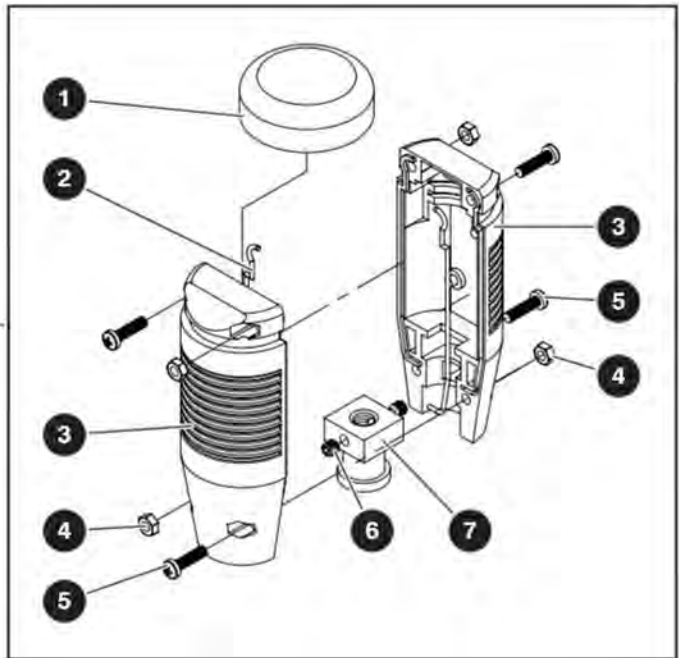
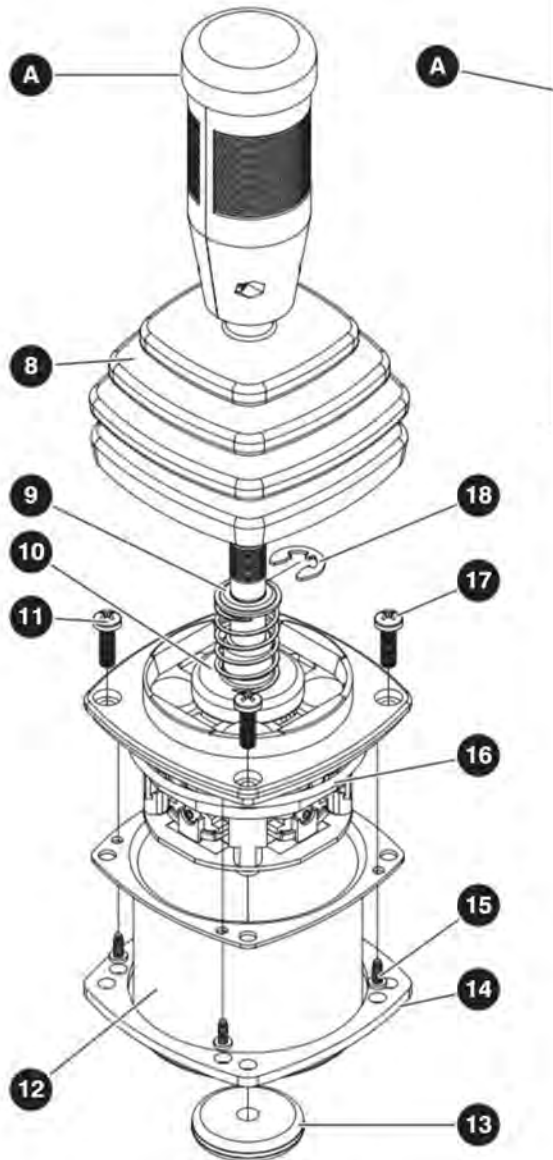
M218375AH

238271ACA

1.7 Platform Control Box

Index No.	Skyjack Part No.	Qty.	Description
35	111181	1	• GUARD, Toggle switch
36	231398	1	• LABEL, Override switch
37	218382	1	• MODULE, Slave
	218277	1	• • SERVICE TOOL
	218276	1	• • • HARNESS, SMB1 to peak
	218278	1	• • • ADAPTER, PCAN-USB
38	103962	6	• SCREW, Round head machine (#10-32 x 1/2")
39	103855	2	• BOLT, Hex head (1/4"-20 x 1/2" Grade 5)
40	103995	2	• WASHER, Flat (1/4")
41	(Ref.)	1	• LABEL, Platform controls (For components, refer to 10.4 Labels - Platform)
42	115747	1	SWITCH, Toggle (dual fuel) - Kubota WG972
43	144016	1	SEAL, Panel bushing (not shown) - Kubota WG972
44	103856	4	BOLT, Hex head (1/4"-20 x 3/4" gr 5)
45	115649	4	NUT, Hex head nylon (1/4"-20 gr 5)
46	103995	8	WASHER, Flat (1/4")
47	103024	1	CLIP, Single (G8)
48	223749	1	LIGHT, LED - blue - EcoStart

1.8 Boom / Turret Controller



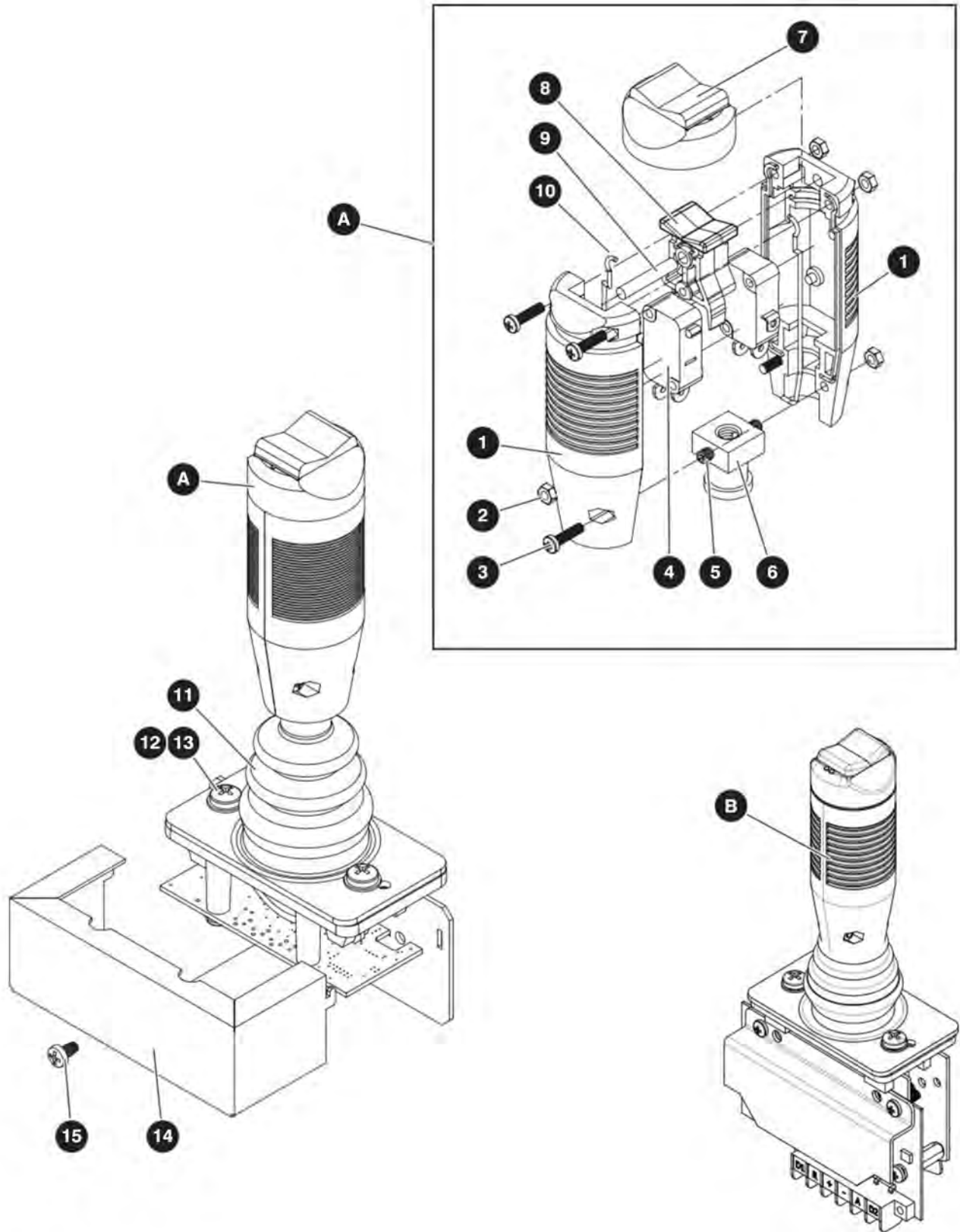
M138225AA_M220628AA

238271ACA

1.8 Boom / Turret Controller

Index No.	Skyjack Part No.	Qty.	Description
A	138225	1	BOOM / TURRET CONTROLLER ASSEMBLY (DUAL AXIS)
1	141326	1	• CAP, Rubber
2	141327	2	• GASKET
3	141325	2	• HANDLE, Half
4	141328	4	• NUT
5	141329	4	• SCREW
6	141331	2	• SCREW, Set
7	141330	1	• COUPLING, (10 mm)
8	141313	1	• BOOT
9	141323	1	• WASHER, Retainer
10	141315	1	• SHOE, Spring
11	141321	4	• SCREW, Mounting (M4)
12	141316	1	• CAN, Enclosure
13	141320	1	• GROMMET, Rubber
14	141317	1	• GASKET, Mounting
15	141319	4	• SCREW
16	141318	1	• O-RING
17	141324	1	• SPRING, Compression
18	141322	1	• CLIP, Retainer
19	216879	1	• CONNECTOR, Male (4-pin) (not shown)
20	216880	1	• CONNECTOR, Female (4-pin) (not shown)
B	220628	1	RISER BOOM CONTROLLER (Single Axis) - Potentiometer style - <i>Optional</i>

1.9 Drive / Steer Controller



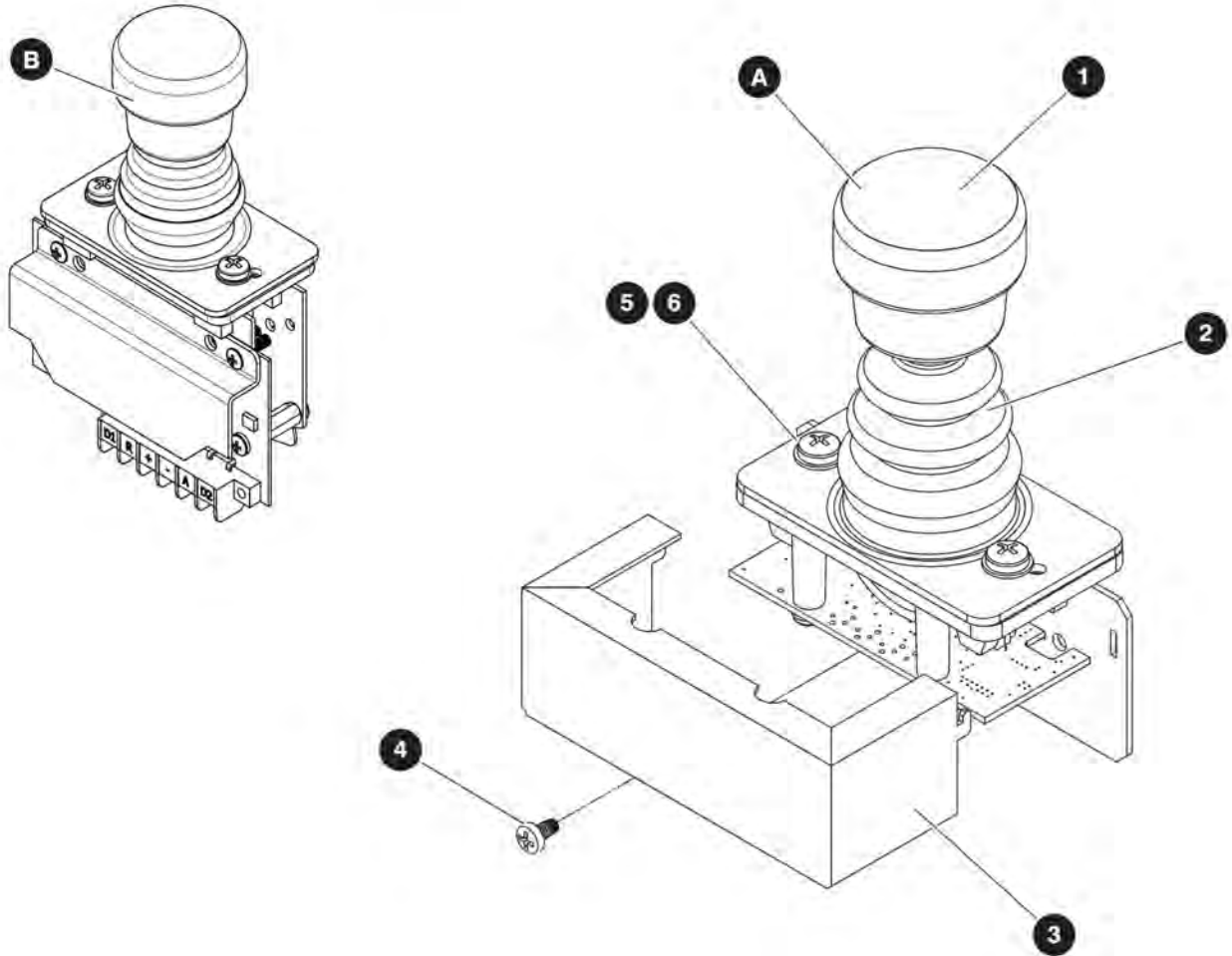
M138224AA_M220627AA

238271ACA

1.9 Drive / Steer Controller

Index No.	Skyjack Part No.	Qty.	Description
A	138224	1	DRIVE / STEER CONTROLLER ASSEMBLY (SINGLE AXIS)
1	141338	2	• HANDLE, Half
2	141328	4	• NUT
3	141329	4	• SCREW
4	141342	2	• MICROSWITCH
5	141331	2	• SCREW, Set
6	141343	1	• COUPLING, (8 MM)
7	141339	1	• CAP Rubber
8	141340	1	• ROCKER
9	141341	1	• ROCKER, Axle
10	141327	2	• GASKET
11	141334	1	• BOOT ASSEMBLY, Standard
12	141336	2	• SCREW Mounting
13	141335	2	• WASHER, Mounting
14	141333	1	• ENCLOSURE
15	141337	1	• SCREW, Enclosure
B	220627	1	DRIVE / STEER CONTROLLER (SINGLE AXIS) - Potentiometer style - Optional

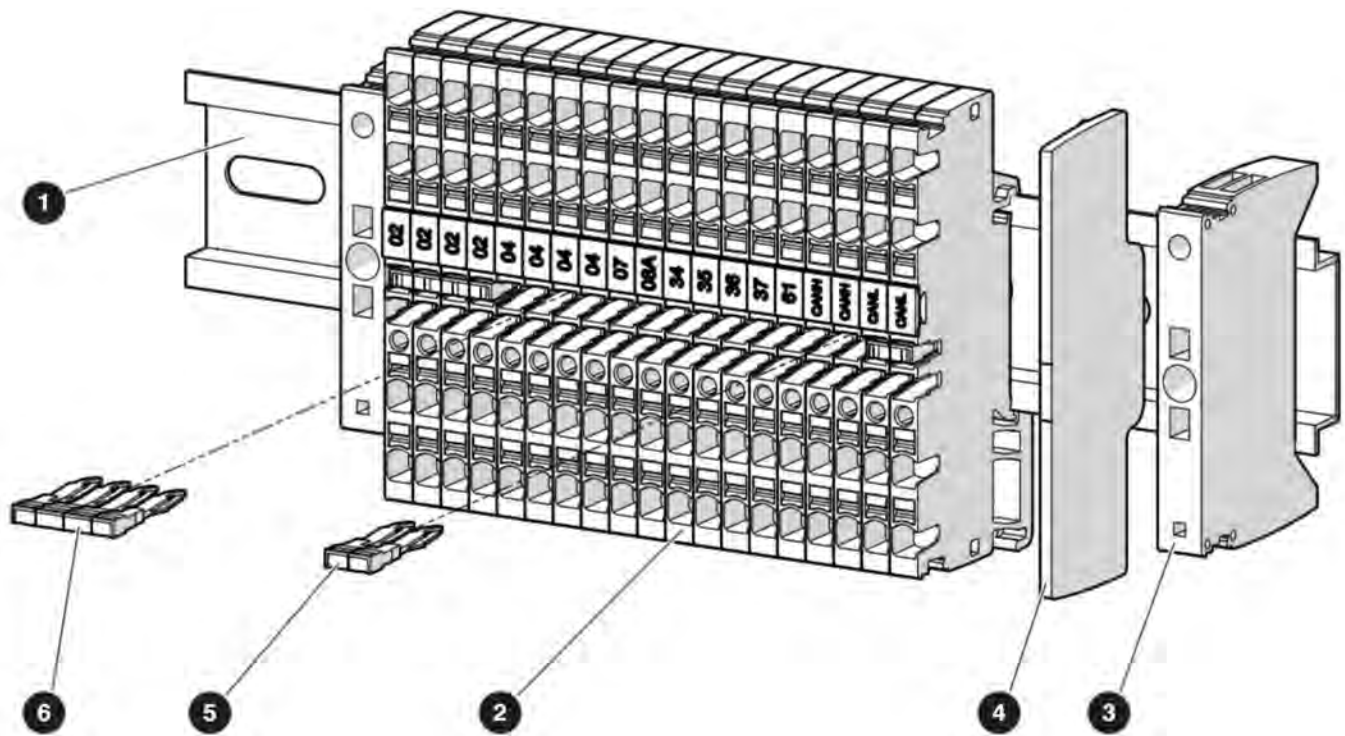
1.10 Riser Controller



M148707AA_M220626AA

Index No.	Skyjack Part No.	Qty.	Description
A	148707	1	RISER BOOM CONTROLLER (Single Axis)
1	154648	1	• CAP, Handle
2	141334	1	• BOOT ASSEMBLY, Standard
3	141333	1	• ENCLOSURE
4	141337	1	• SCREW, Enclosure
5	141336	2	• SCREW, Mount
6	141335	2	• WASHER, Mount
B	220626	1	RISER BOOM CONTROLLER (Single Axis) - Potentiometer style - Optional

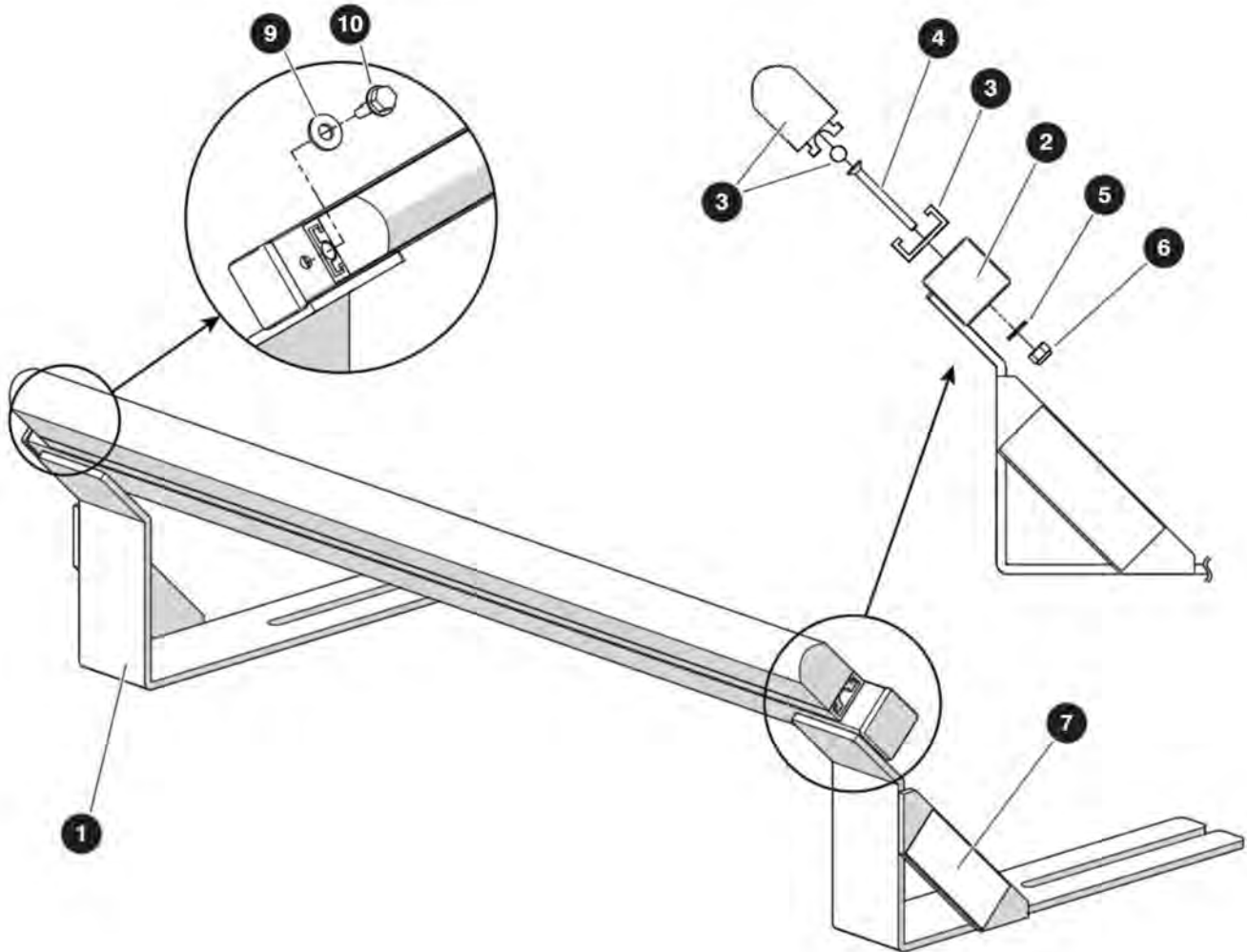
1.11 Platform Terminal Strip



M218402AD

Index No.	Skyjack Part No.	Qty.	Description
-	218402	1	PLATFORM TERMINAL STRIP
1	233337	205 mm	• RAIL
2	233338	19	• BLOCK, Terminal
3	233341	2	• PLATE, End
4	233342	1	• PLATE, Separator
5	233343	2	• JUMPER, 2-pin
6	233344	2	• JUMPER, 4-pin

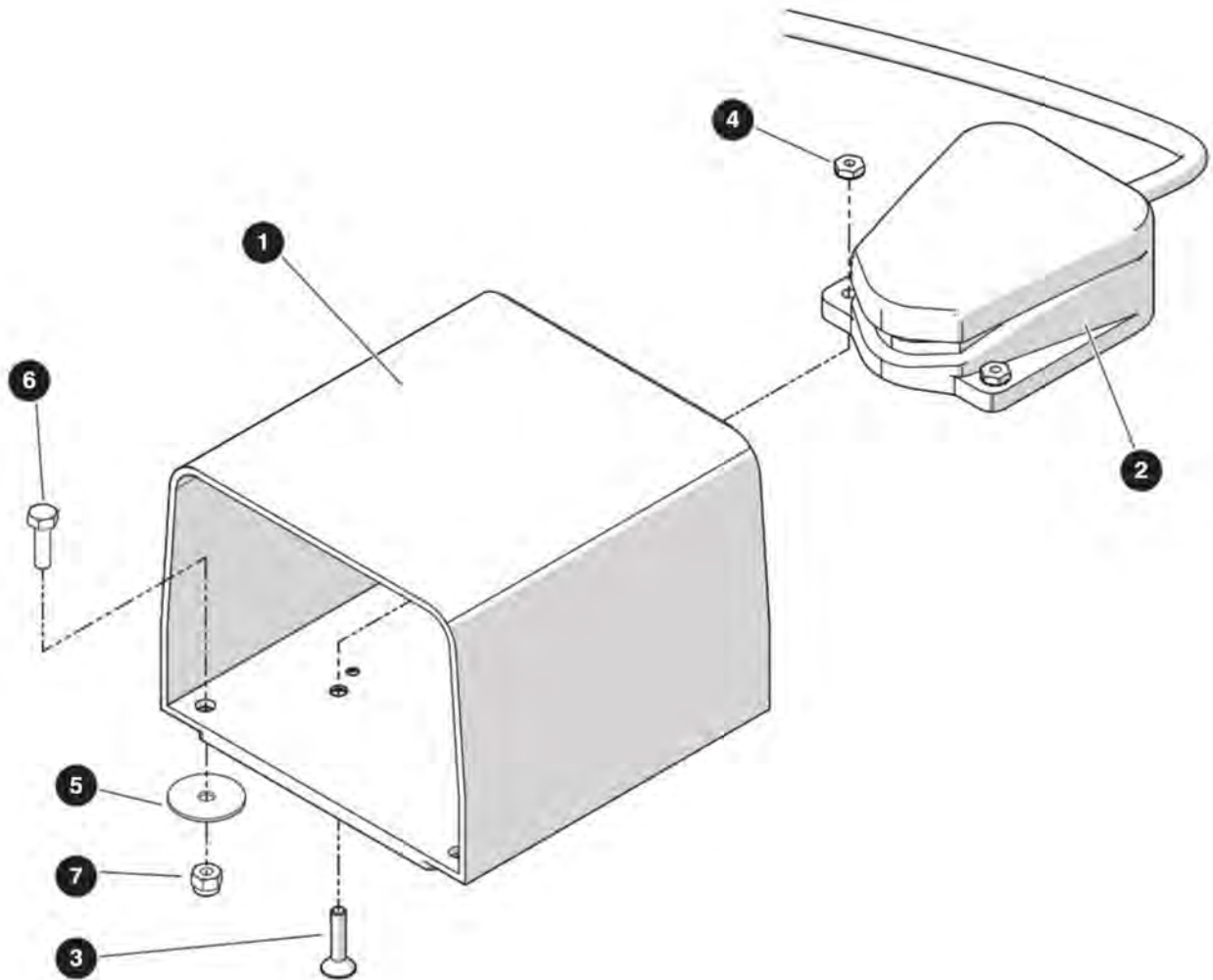
1.12 SGE



M198348AC

Index No.	Skyjack Part No.	Qty.	Description
-	198348	1	SGE
1	166101	1	• SUPPORT, Sensing edge
2	100702	2	• PLUG, Tube (1.25" x 1.25")
3	166107	1	• SENSING EDGE
4	166105	3	• SCREW, Flat head cap (10-32 x 1.75" gr 5)
5	104694	3	• WASHER, Flat (#10)
6	300450	3	• NUT, Lock (10-32 gr 5 nylon)
7	166756	2	• LABEL, SGE
8	167218	1	• SCREW, Slotted binding head (6-32 x 0.25") (not shown)
9	103995	1	• WASHER, Flat (1/4")
10	103632	1	• BOLT, Self-tapping (1/4"-14 x 3/4")

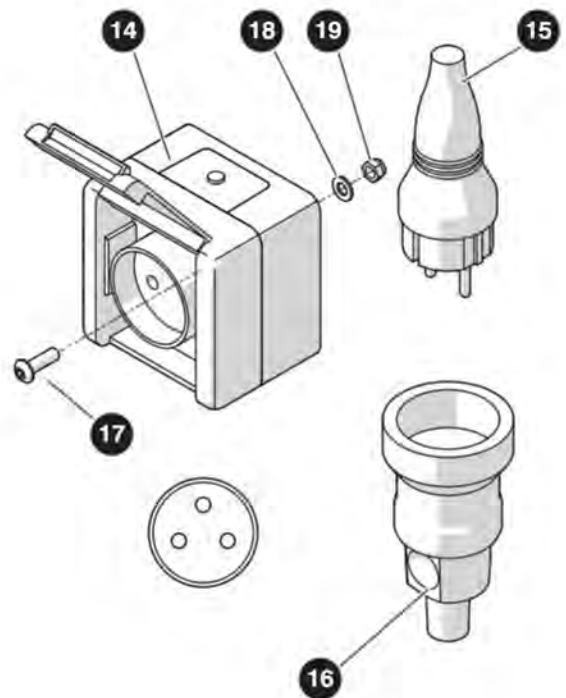
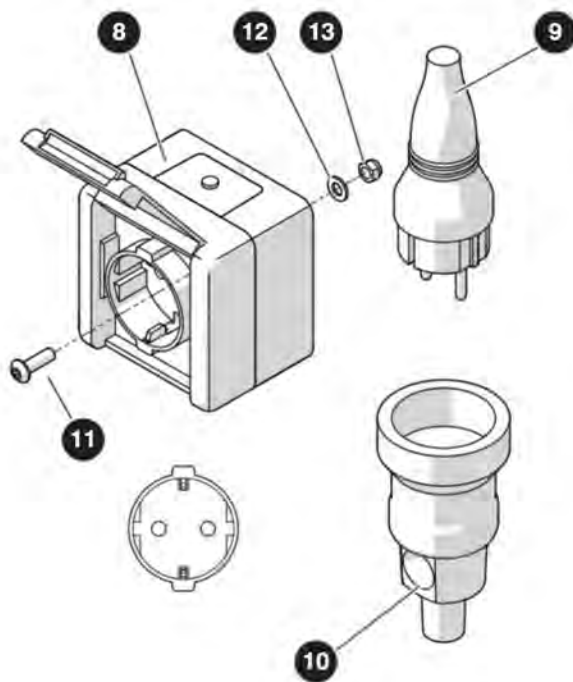
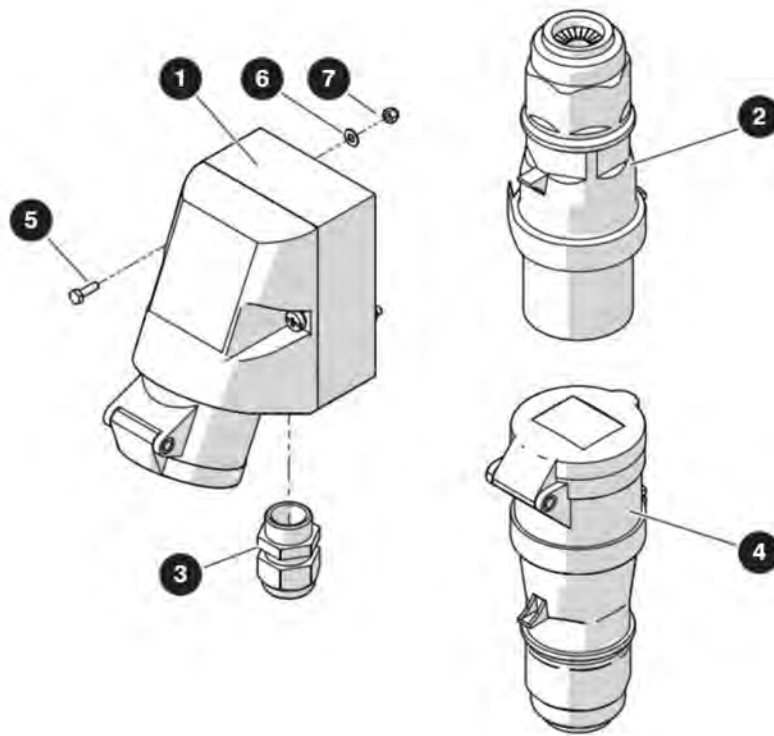
1.13 Footswitch



M154127AC_2

Index No.	Skyjack Part No.	Qty.	Description
-	154127	1	FOOTSWITCH ASSEMBLY
1	700187	1	• FOOTSWITCH
2	139688	2	• SCREW, Flat head machine (1/4"-20 x 1.00")
3	130017	2	• NUT, K-lock (#10-32, zinc)
4	700188	1	• COVER, Footswitch
5	103891	4	BOLT, Hex head (1/4"-20 x 0.87", Grade 5)
6	700598	4	WASHER, Fender
7	115649	4	NUT, Hex lock (1/4"-20 Grade 5, nylon)

1.14 Power to Platform - CE & AS



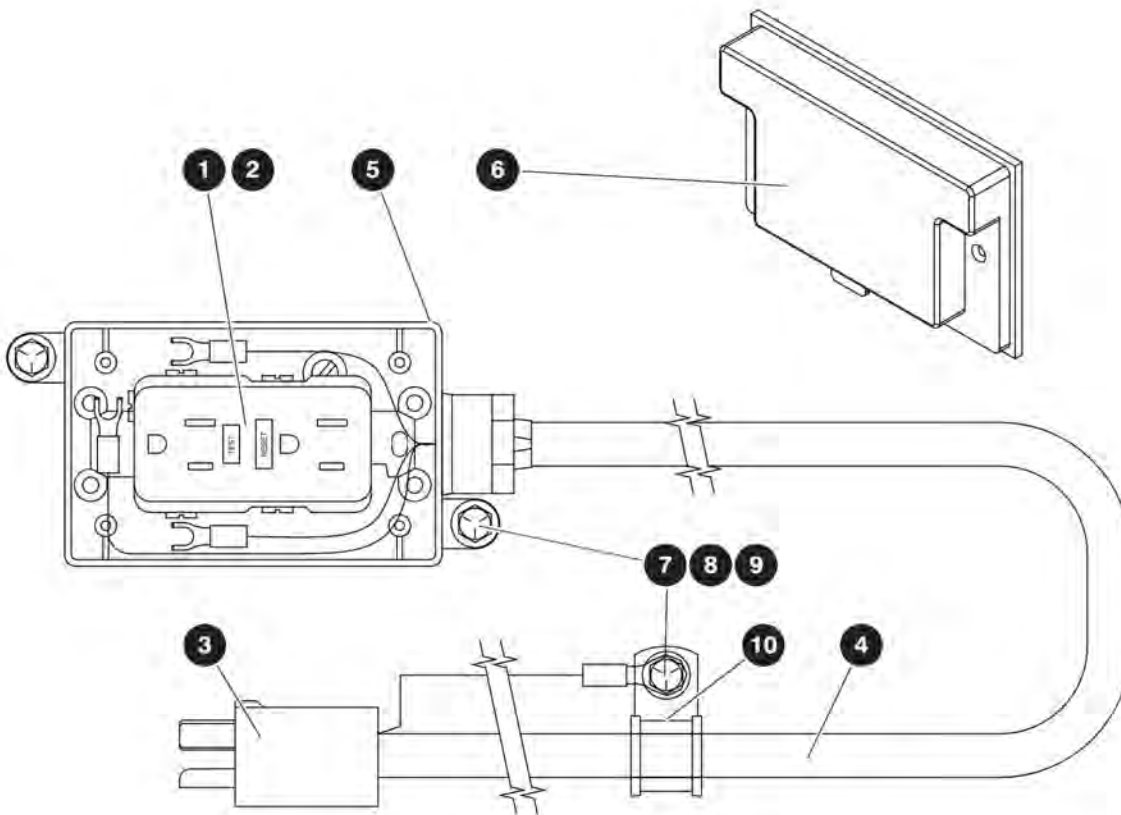
M226505AB_M226509AC_M226513AC

238271ACA

1.14 Power to Platform - CE & AS

Index No.	Skyjack Part No.	Qty.	Description
A	226505	1	POWER TO PLATFORM OUTLET - UK with generator
B	226507	1	POWER TO PLATFORM OUTLET - UK no generator
1	226503	1	• RECEPTACLE, 16 amp 110 VAC 2P+E
2	226501	1	• PLUG, 16 amp 110 VAC 2P+E
3	138373	1	• STRAIN RELIEF, M20
4	226502	1	• RECEPTACLE, 16 amp 110 VAC 2P+E, A
5	228463	2	• BOLT, Hex head (M3 x 0.5 x 10, cl 8.8)
6	600579	2	• WASHER, Flat (M4)
7	217626	2	• NUT, Hex head nylon lock (M3 x 0.5, cl 8)
C	226509	1	POWER TO PLATFORM OUTLET - Type F with generator
D	226511	1	POWER TO PLATFORM OUTLET - Type F no generator
8	226454	1	• OUTLET, Socket - 16 amp 250 V
9	157192	1	• PLUG, 250 V
10	226504	1	• RECEPTACLE, 250 V 16 amp, C
11	228459	2	• BOLT, Hex head (M5 x 0.8 x 16, cl 10.9)
12	933816	2	• WASHER, Flat (M5)
13	217628	2	• NUT, Hex head nylon lock (M5 x 0.8, cl 8)
E	226513	1	POWER TO PLATFORM OUTLET - Type E with generator
F	226515	1	POWER TO PLATFORM OUTLET - Type E no generator
14	226455	1	• OUTLET, Socket - 16 amp 250 V
15	157192	1	• PLUG, 250 V
16	226504	1	• RECEPTACLE, 250 V 16 amp, E
17	228459	2	• BOLT, Hex head (M5 x 0.8 x 16, cl 10.9)
18	933816	2	• WASHER, Flat (M5)
19	217628	2	• NUT, Hex head nylon lock (M5 x 0.8, cl 8)
-	103259	734 ^u	CABLE, 220V (not shown)

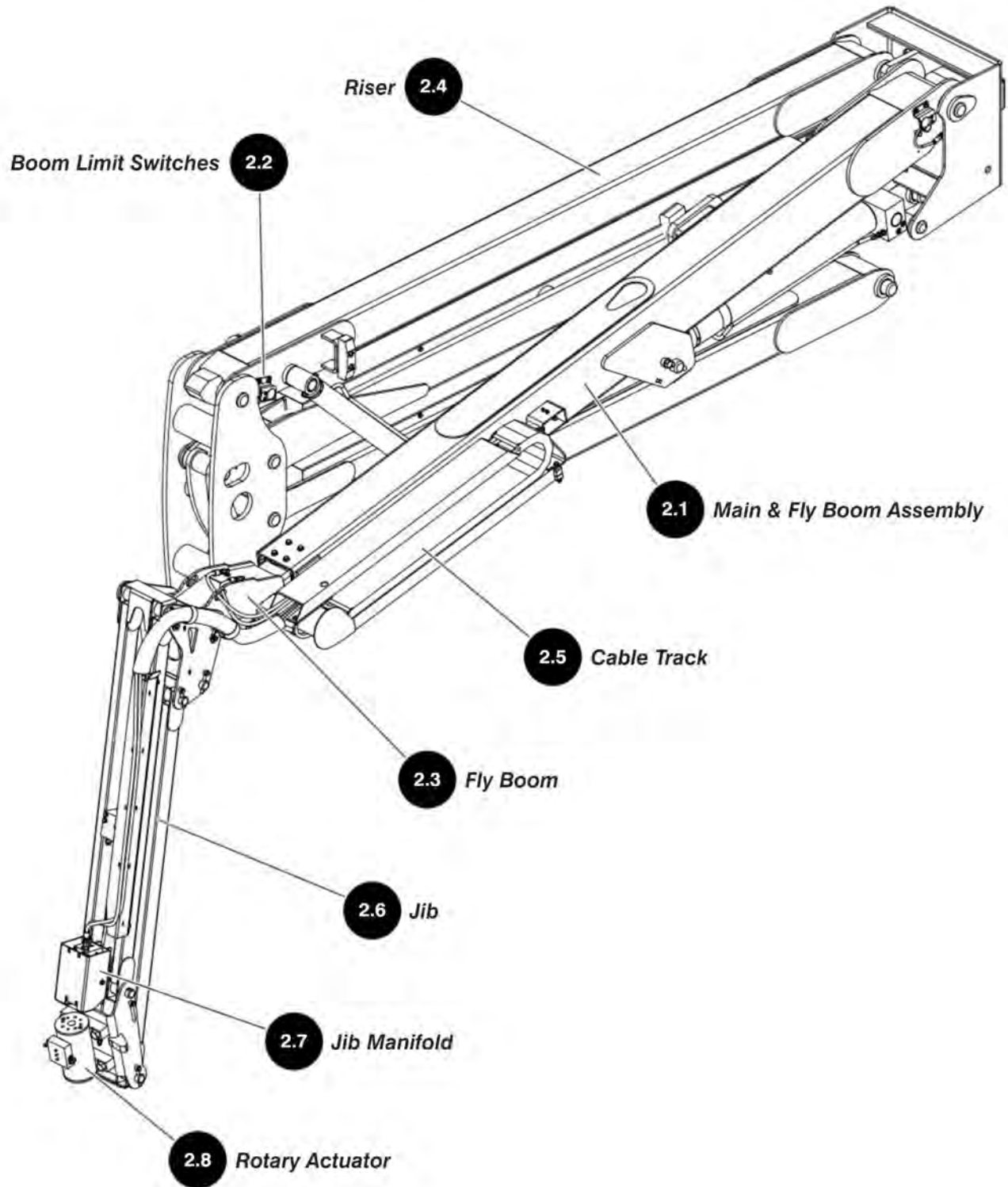
1.15 Power to Platform - ANSI/CSA



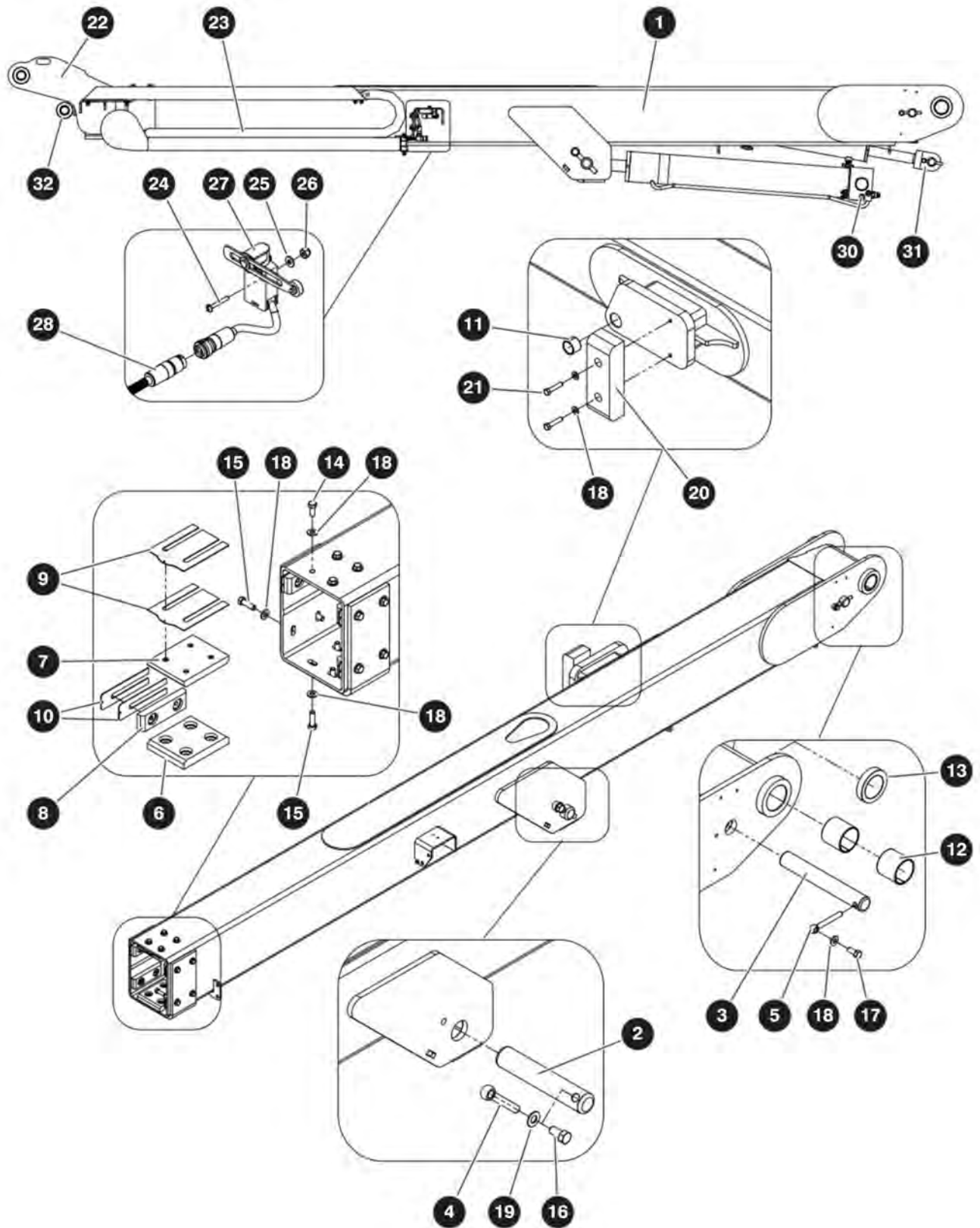
M1448634AA

Index No.	Skyjack Part No.	Qty.	Description
-	148634	1	110V OUTLET ASSEMBLY
1	109698	1	• RECEPTACLE, GFI
2	121461	2	• BOLT, Machine round head (6-32 UNC x 3/8")
-	149492	1	• 110V CABLE ASSEMBLY
3	104208	1	• • PLUG, Male (15A - 225V)
4	103259	758"	• • CABTIRE (12/3 300V)
4	136328	1	• BOX, AC outlet
5	109699	1	• PLATE, Weatherproof cover
6	115649	3	• NUT, Hex nylon lock (1/4"-20, Grade 5)
7	103857	3	• BOLT, Hex head (1/4"-20 x 1", Grade 5)
8	103995	3	• WASHER, Flat (1/4")
9	103024	1	• CLIP, Single (G8)

Section 2 – Boom



2.1 Main & Fly Boom Assembly



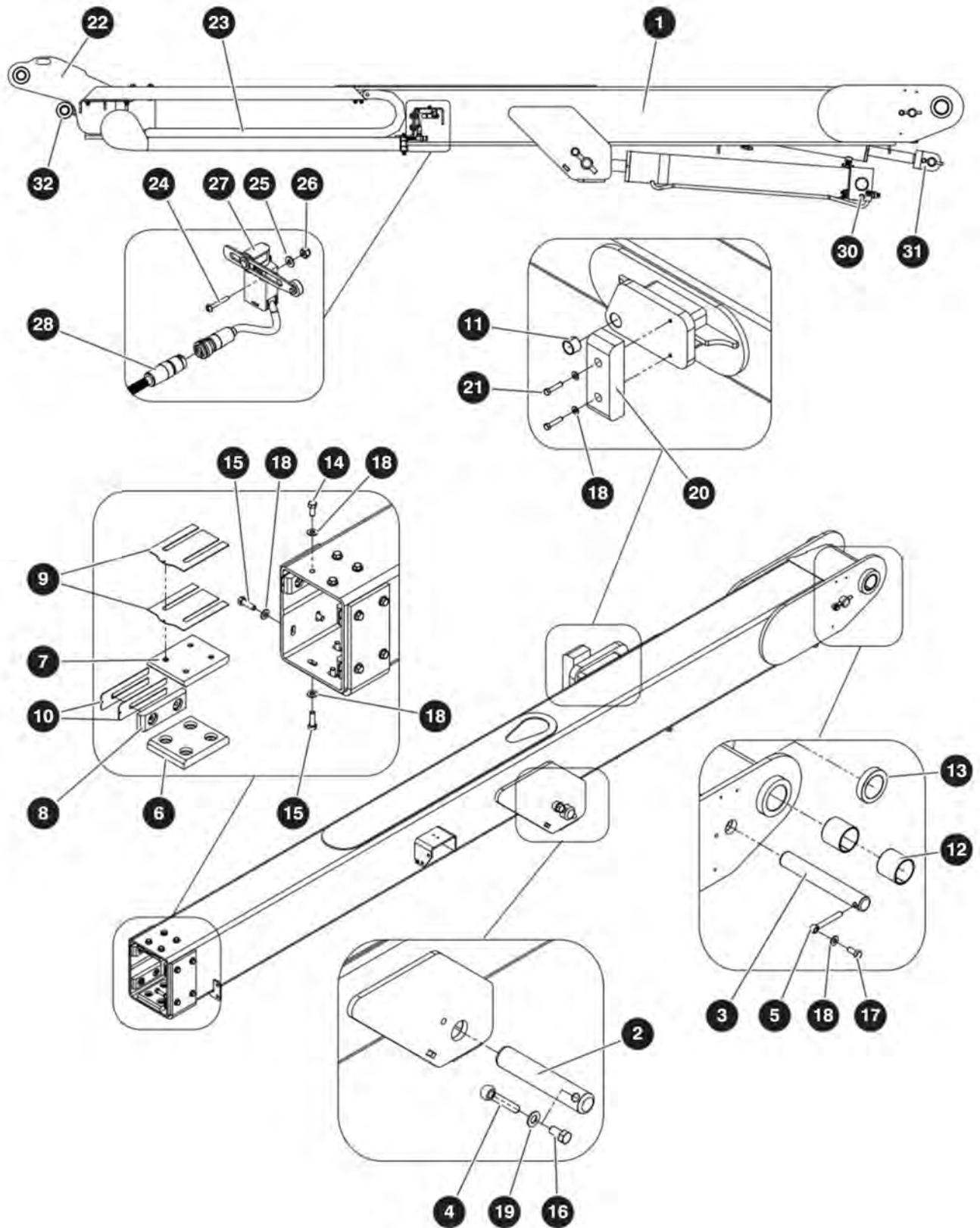
M162409AA

238271ACA

2.1 Main & Fly Boom Assembly

Index No.	Skyjack Part No.	Qty.	Description
-	218930	1	MAIN AND FLY BOOM ASSEMBLY
	161977	1	• MAIN BOOM ASSEMBLY
1	161981	1	• • MAIN BOOM WELDMENT
2	148843	1	• • PIN (1 3/4" diameter x 9 1/2")
3	148844	1	• • PIN (1.25" diameter x 9")
4	146898	1	• • KEEPER PIN (5/8")
5	146897	1	• • KEEPER PIN (3/8")
6	148826	1	• • PAD, Bottom
7	148827	1	• • PAD, Top
8	148828	4	• • PAD, Side
9	148829	AR	• • SHIM, 16 Gauge (top)
	148830	AR	• • SHIM, 20 Gauge (top)
10	148837	AR	• • SHIM, 16 Gauge (side)
	148838	AR	• • SHIM, 20 Gauge (side)
11	148817	2	• • BUSHING (2" ID x 2")
12	148847	1	• • BUSHING (1 1/4" ID x 1")
13	149267	2	• • SPACER (Extension cylinder)
14	300437	4	• • BOLT, Hex head (3/8"-16 x 7/8" Grade 5)
15	101297	12	• • BOLT, Hex head (3/8"-16 x 1 1/4" Grade 5)
16	149015	1	• • BOLT, Hex head/patch (5/8"-16 x 7/8" Grade 8, ZP)
17	139193	1	• • BOLT, Hex head patch (3/8"-16 x 7/8" Grade 8, ZP)
18	125959	19	• • WASHER, Flat (3/8")
19	700782	1	• • WASHER, Flat (5/8")
20	152306	1	• • PAD, Wear - boom
21	103871	2	• • BOLT, Hex head (3/8"-16 x 1.75" Grade 5)
22	(Ref.)	1	• FLY BOOM ASSEMBLY (For components, refer to 2.3 Fly Boom)
23	(Ref.)	1	• E-CHAIN ASSEMBLY (For components, refer to 2.5 Cable Track)
-	161980	1	• BOOM EXTEND LIMIT SWITCH ASSEMBLY
24	112248	2	• • SCREW, Round head machine (#8-32 x 1")
25	103991	2	• • WASHER, Flat (#8)
26	138765	2	• • NUT, Hex lock (#8-32 Grade 5, nylon)
27	207016	1	• • SWITCH, Limit (with adjustable lever arm)
	207849	1	• • • BODY, Limit switch
	160009	1	• • • HEAD, Limit switch
	160011	1	• • • LEVER, Limit switch
28	207853	1	• • • CORD, Limit Switch (17 m)
29	(Ref.)	1	• EXTENSION CYLINDER (For components, refer to 3.1 Extension Cylinder)
30	(Ref.)	1	• MAIN BOOM LIFT CYLINDER (For components, refer to 3.2 Lift Cylinder)

2.1 Main & Fly Boom Assembly



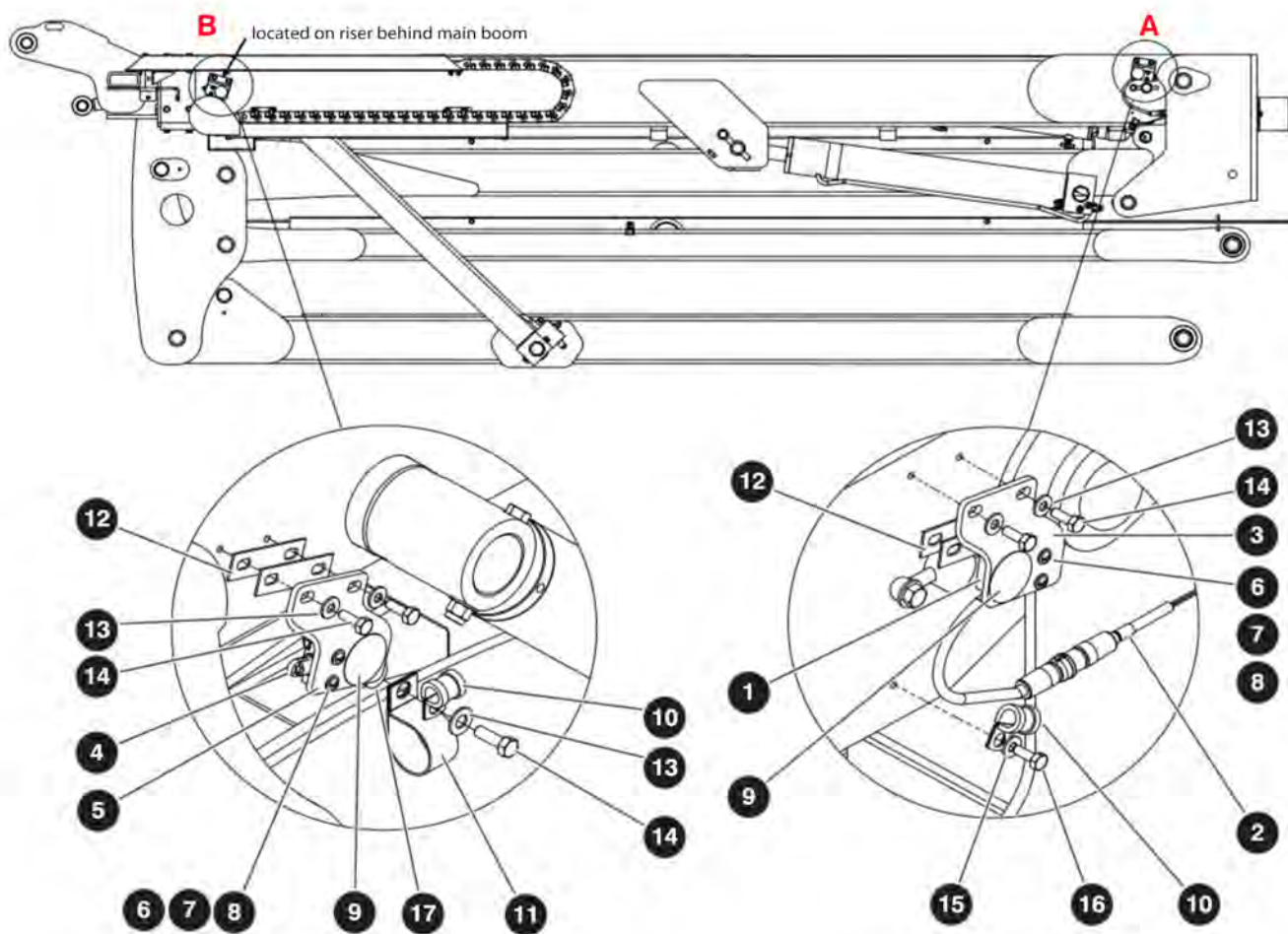
M162409AA

238271ACA

2.1 Main & Fly Boom Assembly

Index No.	Skyjack Part No.	Qty.	Description
31	(Ref.)	1	• MASTER CYLINDER (For components, refer to 3.5 Master Cylinder)
32	(Ref.)	1	• SLAVE CYLINDER (For components, refer to 3.6 Slave Cylinder)
33	(Ref.)	1	• E-CHAIN HOSE KIT (Not Shown) (For components, refer to 8.2 Boom Hoses)

2.2 Boom Limit Switches



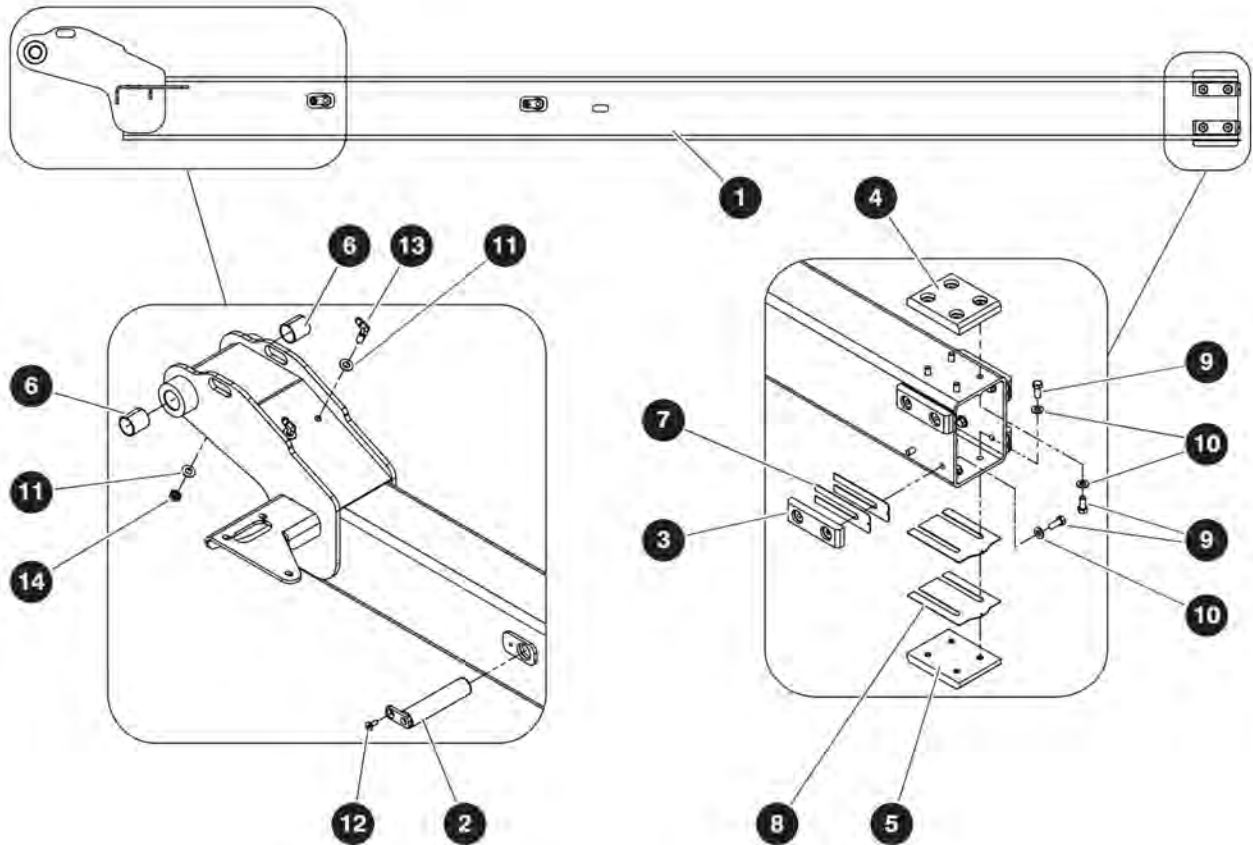
M162345AB

238271ACA

2.2 Boom Limit Switches

Index No.	Skyjack Part No.	Qty.	Description
-	162345	1	LIMIT SWITCH ASSEMBLY - MAIN AND RISER BOOM
A	162362	1	• BRACKET ASSEMBLY, Limit Switch
1	207017	1	• • SWITCH ASSEMBLY, Roller plunger
2	207853	1	• • • CORD, Switch
	207849	1	• • • BODY, Limit switch
	207850		• • • HEAD, Limit switch
3	162363	1	• • BRACKET
B	162370	1	• BRACKET ASSEMBLY, Limit Switch
4	199546	1	• • SWITCH, Limit, roller plunger
	207850		• • • HEAD, Limit switch
5	162363	1	• • BRACKET
6	152294	2	• • SCREW, Round head machine (#8-32 x 1.25"), A, B
7	138765	2	• • NUT, Hex head nylon lock (#8-32, Grade 5), A, B
8	103991	4	• • WASHER, Flat (#8), A, B
9	156613	1	• • LABEL, Do not alter, A, B
10	149495	2	• CLAMP, Tube (cushioned)
11	409187	1	• CLAMP, Hose (1-1/2")
12	161053	4	• SHIM
13	103995	5	• WASHER, Flat (1/4")
14	103856	5	• BOLT, Hex head (1/4"-20 x 0.75", Grade 5)
15	103472	2	• WASHER, Flat (3/8")
16	103864	1	• BOLT, Hex head (5/16"-18 x 1.00", Grade 5)
17	103984	1	• NUT, Hex head nylon lock (5/16"-18, Grade 5)

2.3 Fly Boom



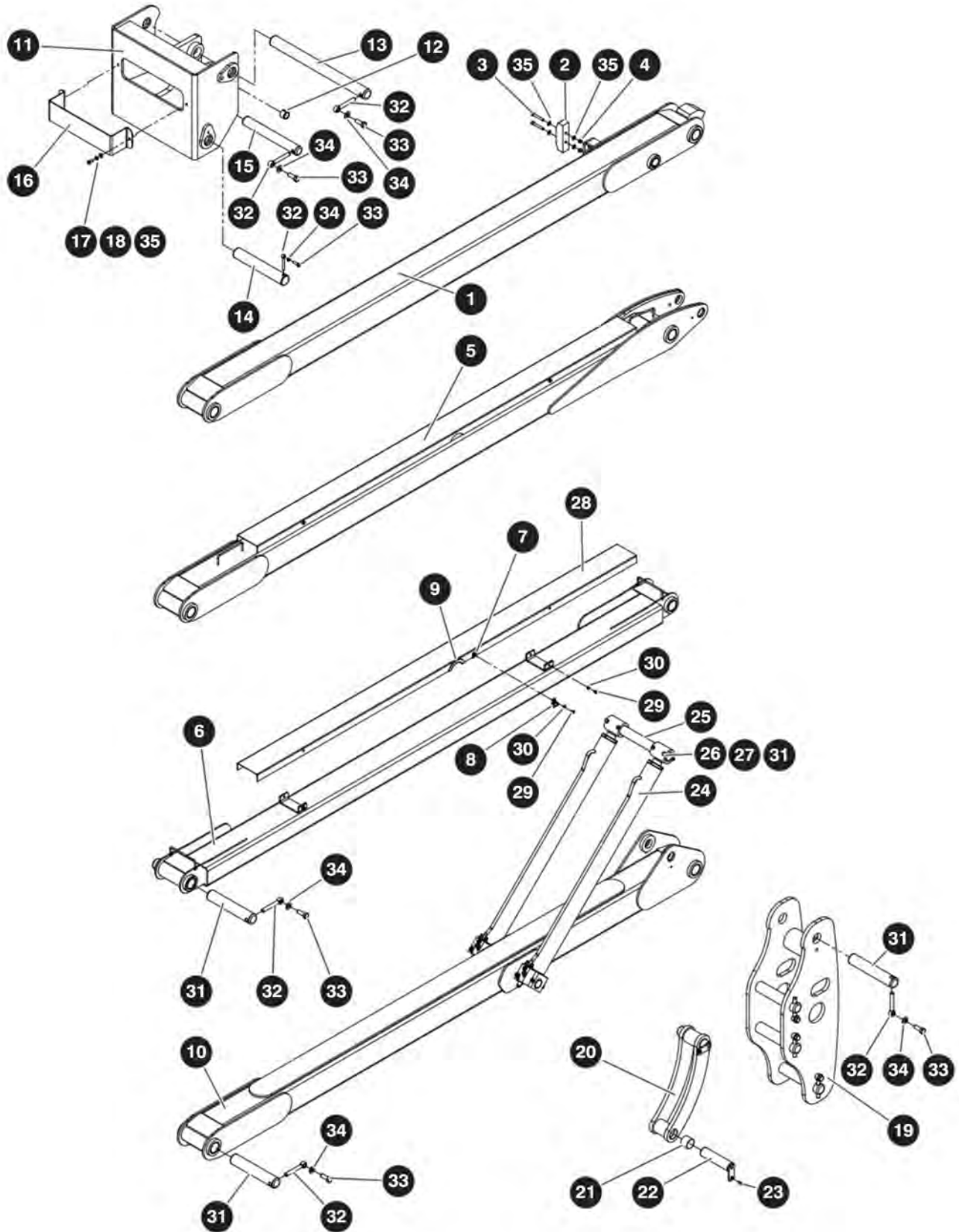
M161978AB

238271ACA

2.3 Fly Boom

Index No.	Skyjack Part No.	Qty.	Description
-	218069	1	FLY BOOM
1	161986	1	• FLY BOOM WELDMENT
2	148839	2	• PIN WELDMENT (1 1/4" diameter x 5 11/16")
3	148828	4	• PAD, Side
4	148826	1	• PAD, Top
5	148827	1	• PAD, Bottom
6	125262	2	• BUSHING, CJS 2024 (1.25" ID x 1.50" lg)
7	148837	AR	• SHIM, 16 Gauge (side)
	148838	AR	• SHIM, 20 Gauge (side)
8	148829	AR	• SHIM, 16 Gauge (bottom)
	148830	AR	• SHIM, 20 Gauge (bottom)
9	300437	16	• BOLT, Hex head (3/8"-16 x 7/8" Grade 5)
10	103472	24	• WASHER, Flat (3/8")
11	119313	4	• WASHER, Flat (7/16")
12	704642	2	• SCREW, Flat head cap (5/16"-18 x 3/4" Grade 5)
13	149418	2	• FITTING, Elbow 90° bulkhead (04 JICM - 04 JICM)
14	143963	2	• FITTING, Nut bulkhead (04 JIC)

2.4 Riser



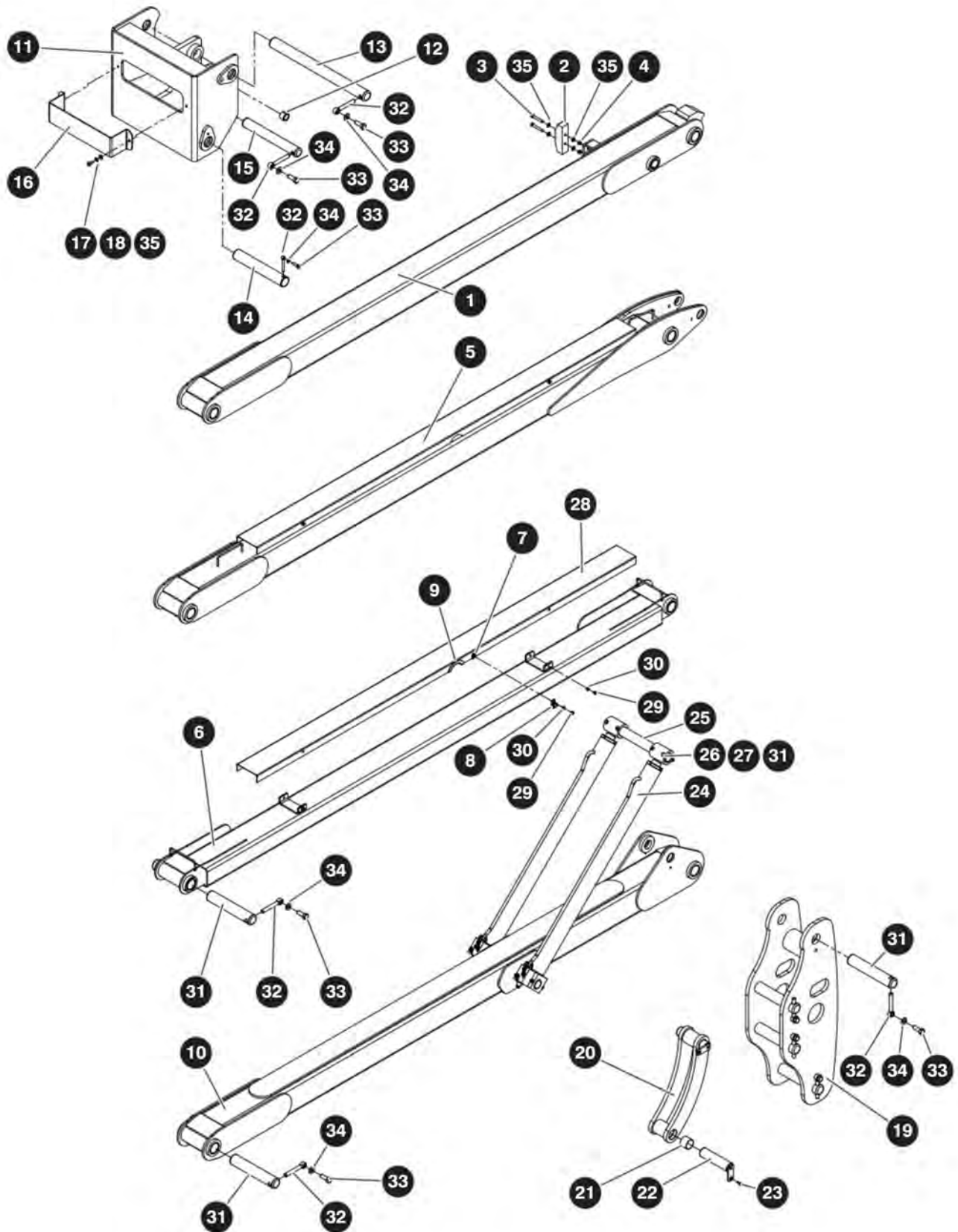
M162334AA

238271ACA

2.4 Riser

Index No.	Skyjack Part No.	Qty.	Description
-	231357	1	RISER BOOM ASSEMBLY
-	162337	1	• UPPER RISER BOOM
1	162338	1	• • WELDMENT, Upper riser boom
	148861	2	• • BUSHING (1 3/4" ID x 2")
	148817	4	• • BUSHING (2" ID x 2")
2	152525	1	• • PAD, Bumper
3	103873	2	• • BOLT, Hex head (3/8"-16 x 2 1/2" Grade 5)
4	144238	2	• • NUT, Torque lock (3/8"-16, Grade C)
5	148786	1	• THIRD RISER BOOM
	148787	1	• • WELDMENT, Third riser boom
	148817	4	• • BUSHING (2" ID x 2")
-	218062	1	• SECOND RISER BOOM
6	148781	1	• • WELDMENT, Second riser boom
	148817	4	• • BUSHING (2" ID x 2")
7	152516	2	• • NUT RETAINER, J-Type (1/4"-20)
8	144129	2	• • CLIP, Single
9	117398	7.4"	• • TRIM, Protective
10	158763	1	• LOWER RISER BOOM
	158764	1	• • WELDMENT, Lower riser boom
	148861	2	• • BUSHING (1 3/4" ID x 2")
	148817	4	• • BUSHING (2" ID x 2")
-	218065	1	• UPPER PIVOT WELDMENT
11	169109	1	• • WELDMENT, Upper pivot
12	148847	1	• • BUSHING (1 1/4" ID x 1")
13	148823	1	• • PIN (2" diameter x 24.188")
14	169110	1	• • PIN (2" diameter x 12.375")
15	148824	1	• • PIN (2" diameter x 13.75")
16	239884	1	• • PLATE, Guard
17	101632	2	• • BOLT, Hex head (3/8"-16 x 3/4" Grade 5)
18	103999	2	• • WASHER, Lock (3/8")
-	162335	1	• LOWER PIVOT
19	162336	1	• • WELDMENT, Lower pivot
-	148813	1	• RISER LINK WELDMENT
20	148814	1	• • WELDMENT, Riser link
21	101564	6	• • BUSHING (1-3/4" ID x 1")
22	152319	2	• • PIN (1.75" diameter x 7")
23	704642	2	• • SCREW, Flat head cap (5/16"-18 x 3/4" Grade 5)
-	158769	1	• RISER LIFT CYLINDER ASSEMBLY
24	(Ref.)	2	• CYLINDER, Riser lift (For components, refer to 3.4 Riser Cylinder)
25	158770	2	• • PIN (1.75" diameter x 15.00")
26	103916	2	• • BOLT, Hex head (3/8"-16 x 3.25", Grade 5)
27	104606	4	• • NUT, Hex head nylon lock (3/8"-16, Grade 5)
28	148855	2	• COVER, Riser
29	112495	10	• BOLT, Hex head (1/4"-20 x 3/8" Grade 5)
30	103995	10	• WASHER, Flat hardened (1/4")

2.4 Riser



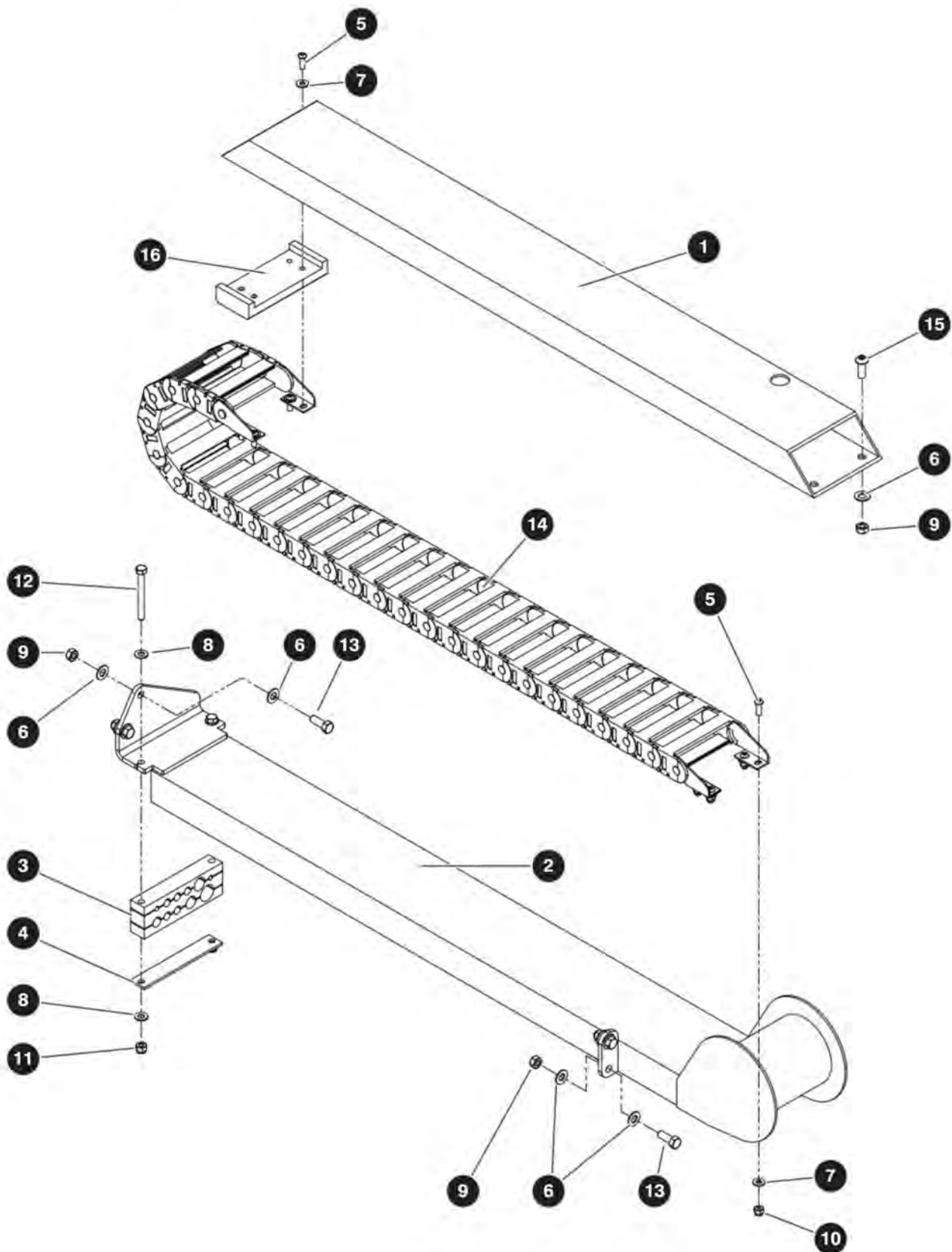
M162334AA

238271ACA

2.4 Riser

Index No.	Skyjack Part No.	Qty.	Description
31	148819	6	• PIN (2" diameter x 11.063")
32	146898	9	• KEEPER PIN (5/8")
33	148944	9	• BOLT, Hex head patch (5/8"-11 x 1 3/4" Grade 8)
34	700782	9	• WASHER, Flat hardened (5/8")
35	103472	6	• WASHER, Flat (3/8")

2.5 Cable Track



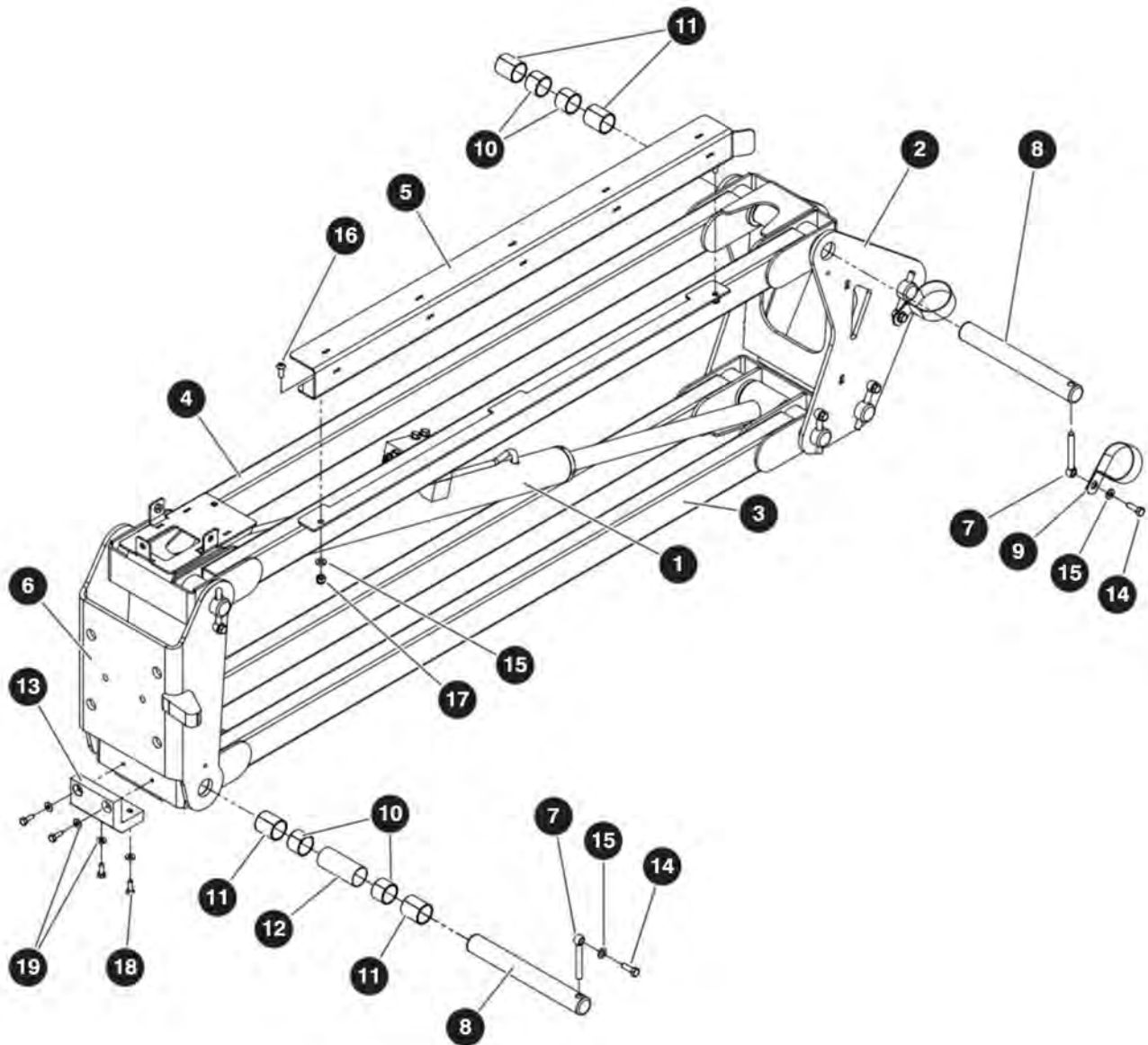
M161979AD

238271ACA

2.5 Cable Track

Index No.	Skyjack Part No.	Qty.	Description
-	231507	1	CABLE TRACK
1	161990	1	• TUBE, E-chain upper
2	161992	1	• TUBE, E-chain lower
3	231503	1	• CLAMP, Hose
4	710210	1	• PLATE, Hose guide
5	139168	8	• SCREW, Button head cap (1/4"-20 x 0.75")
6	103472	11	• WASHER, Flat (3/8")
7	103995	8	• WASHER, Flat (1/4")
8	103996	4	• WASHER, Flat (5/16")
9	144238	7	• NUT, Torque lock (3/8"-16 Grade C)
10	115649	4	• NUT, Hex head nylon lock (1/4"-20 Grade 5)
11	103984	2	• NUT, Hex head nylon lock (5/16"-18 Grade 5)
12	103867	2	• BOLT, Hex head (5/16"-18 x 3.00" Grade 5)
13	103473	4	• BOLT, Hex head (3/8"-16 x 1.00" Grade 5)
14	168334	1	• E-CHAIN, 250 series, 26 links, A
	210078	1	• • MOUNTING BRACKET SET
	210077	A/R	• • LINK, E-Chain
	210074	A/R	• • SEPARATOR, E-Chain
15	103949	3	• SCREW, Button head cap (3/8"-16 x 1.00")
16	196488	1	• PAD, Wear

2.6 Jib



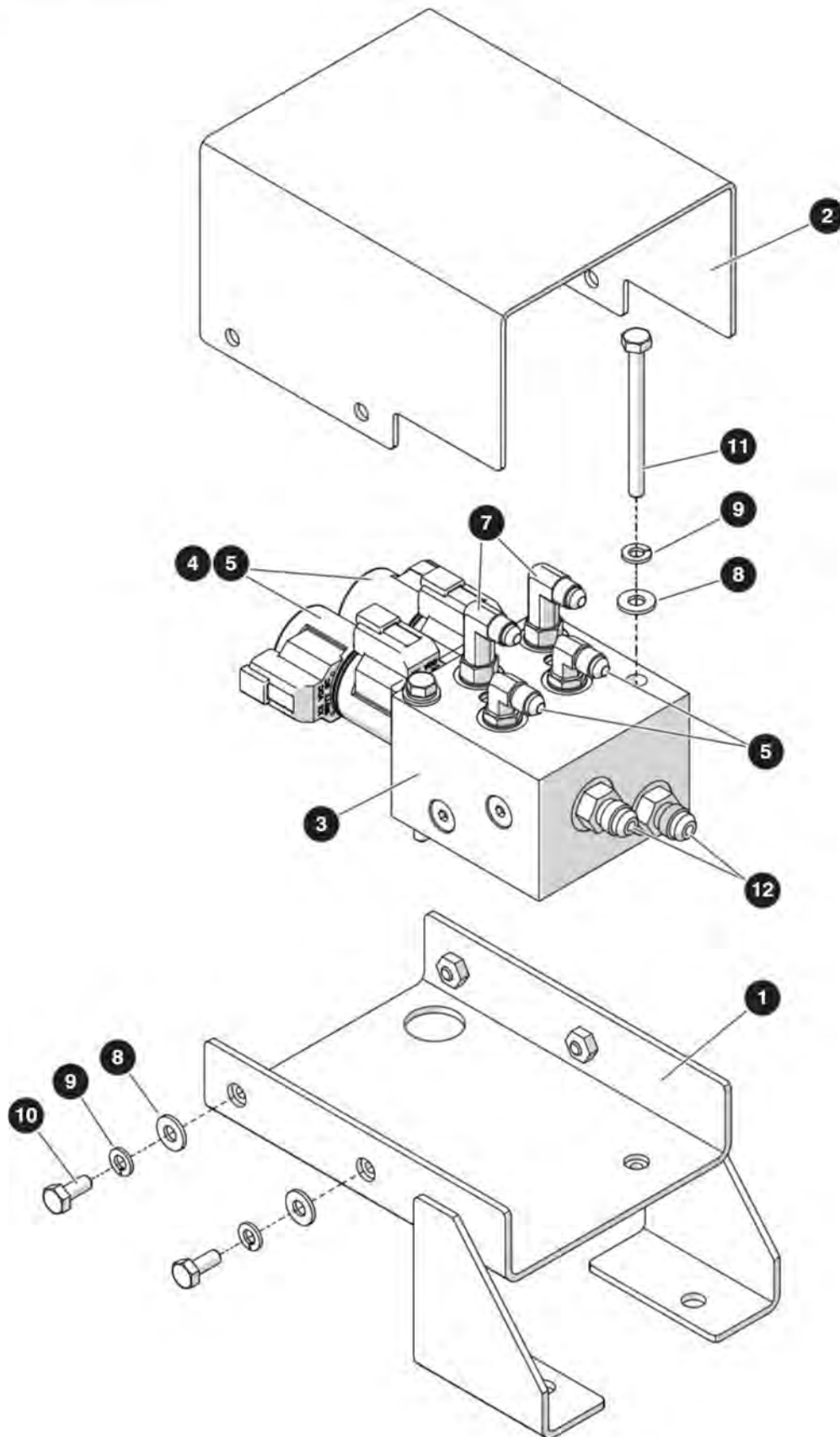
M167645AA

238271ACA

2.6 Jib

Index No.	Skyjack Part No.	Qty.	Description
-	218053	1	JIB BOOM
1	(Ref.)	1	<ul style="list-style-type: none"> JIB CYLINDER (For components, refer to 3.7 Jib Cylinder)
2	218054	1	<ul style="list-style-type: none"> BRACKET, Jib mount
3	218059	1	<ul style="list-style-type: none"> WELDMENT, Lower arm
4	218056	1	<ul style="list-style-type: none"> WELDMENT, Upper arm
5	148891	1	<ul style="list-style-type: none"> COVER, Hose
6	218733	1	<ul style="list-style-type: none"> BRACKET, Platform mount
7	146897	6	<ul style="list-style-type: none"> KEEPER PIN (3/8")
8	148890	6	<ul style="list-style-type: none"> PIN (1 1/4" diameter x 10 3/16")
9	143987	2	<ul style="list-style-type: none"> CLAMP (2 1/2")
10	148847	8	<ul style="list-style-type: none"> BUSHING (1 1/4" ID x 1")
11	125262	8	<ul style="list-style-type: none"> BUSHING (1 1/4" ID x 1 1/2")
12	148920	2	<ul style="list-style-type: none"> SPACER
13	148936	1	<ul style="list-style-type: none"> PAD, Wear
14	148943	6	<ul style="list-style-type: none"> BOLT, Hex head patch (5/16"-18 x 1" Grade 8)
15	103996	8	<ul style="list-style-type: none"> WASHER, Flat (5/16")
16	300064	2	<ul style="list-style-type: none"> SCREW, Button head cap (5/16"-18 x 3/4")
17	103984	2	<ul style="list-style-type: none"> NUT, Hex lock (5/16"-18 Grade 5, nylon)
18	103856	4	<ul style="list-style-type: none"> BOLT, Hex head (1/4"-20 x 3/4" Grade 5)
19	103995	4	<ul style="list-style-type: none"> WASHER, Flat (1/4")

2.7 Jib Manifold



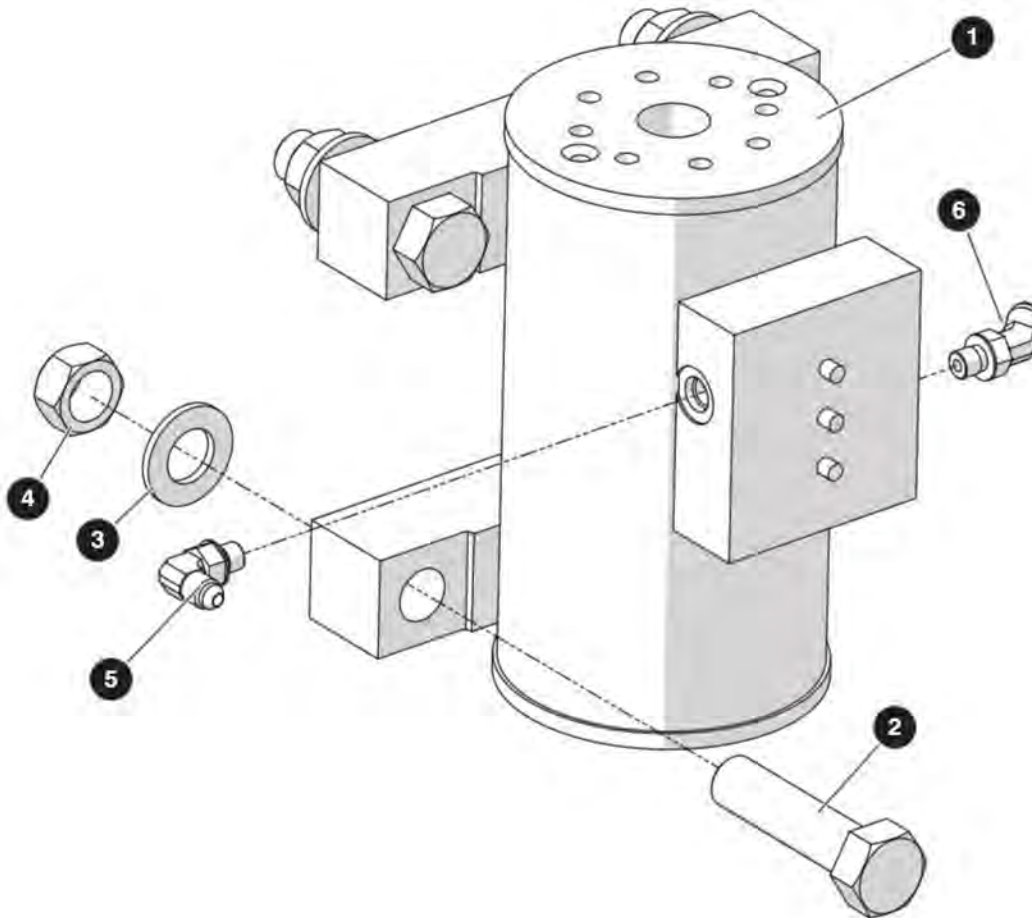
M167646AB

238271ACA

2.7 Jib Manifold

Index No.	Skyjack Part No.	Qty.	Description
-	231510	1	JIB MANIFOLD
1	231514	1	• SUPPORT, Manifold
2	231517	1	• COVER
3	231501	1	• MANIFOLD, Jib
4	166036	2	• • VALVE
5	208881	4	• • COIL
6	125883	2	• • FITTING, 90° (04JICM-04ORBM)
7	147552	2	• • FITTING, 90° long (04JICM004ORBM)
8	103995	6	• WASHER, Flat (1/4")
9	104000	6	• WASHER, Lock (1/4")
10	103892	4	• BOLT, Hex head (0.25"-20 x 0.625" Grade 5)
11	113583	2	• BOLT, Hex head (0.25"-20 x 3.00" Grade 5)
12	701956	2	• FITTING, Straight (04 JICM - 06 ORBM)

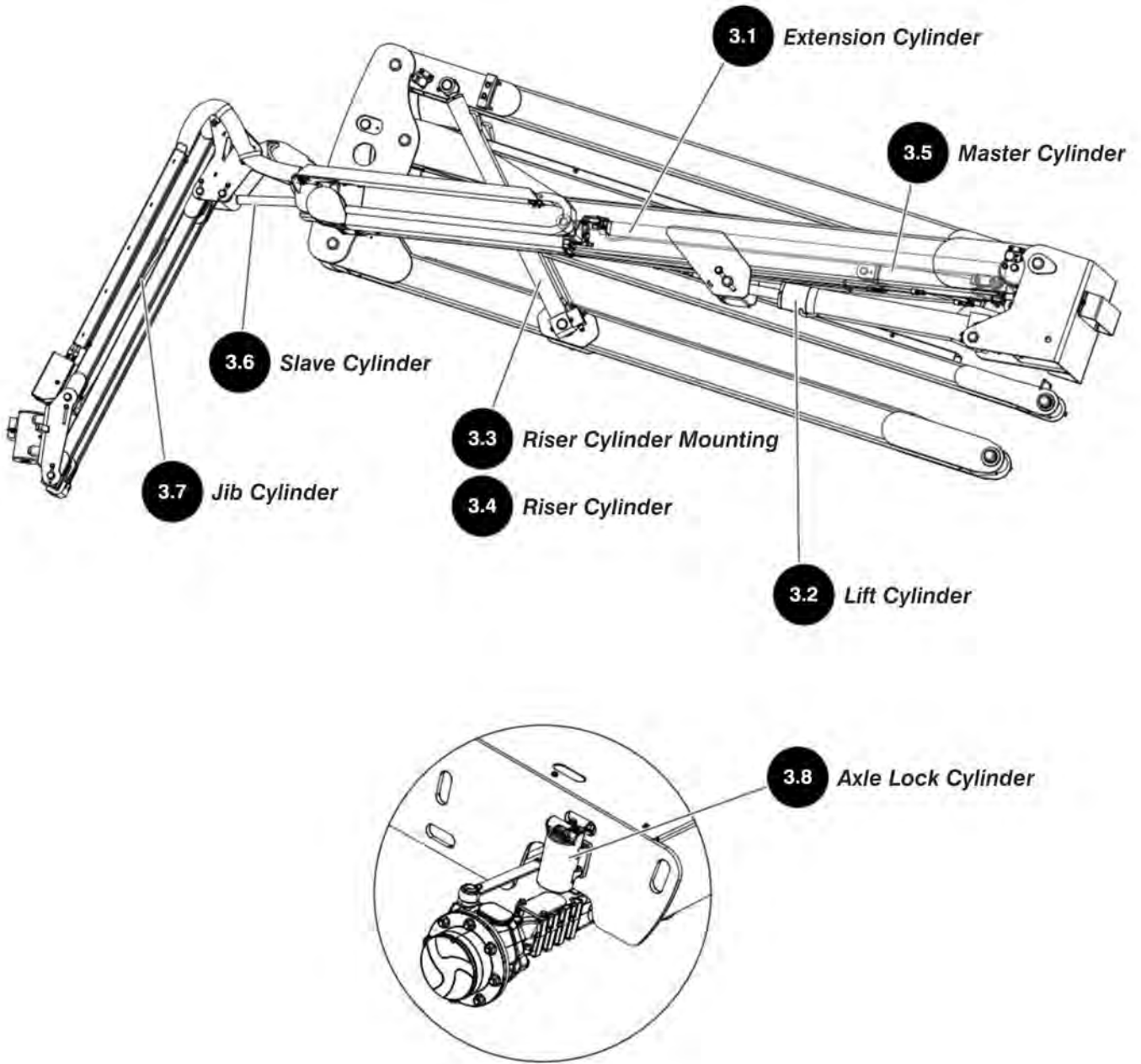
2.8 Rotary Actuator



M213518AB

Index No.	Skyjack Part No.	Qty.	Description
-	231518	1	ROTARY ACTUATOR
1	144710	1	• ACTUATOR, Rotary
2	103894	4	• BOLT, Hex head (3/4"-10 x 3" Grade 8)
3	702194	4	• WASHER, Flat (3/4")
4	700575	4	• NUT, Crownlock (3/4"-10 Grade 8)
5	125883	1	• FITTING, 90° (04 JICM - 04 ORBM)
6	131716	1	• FITTING, 45° (04 JICM - 04 ORBM)
K	144709	1	SEAL KIT

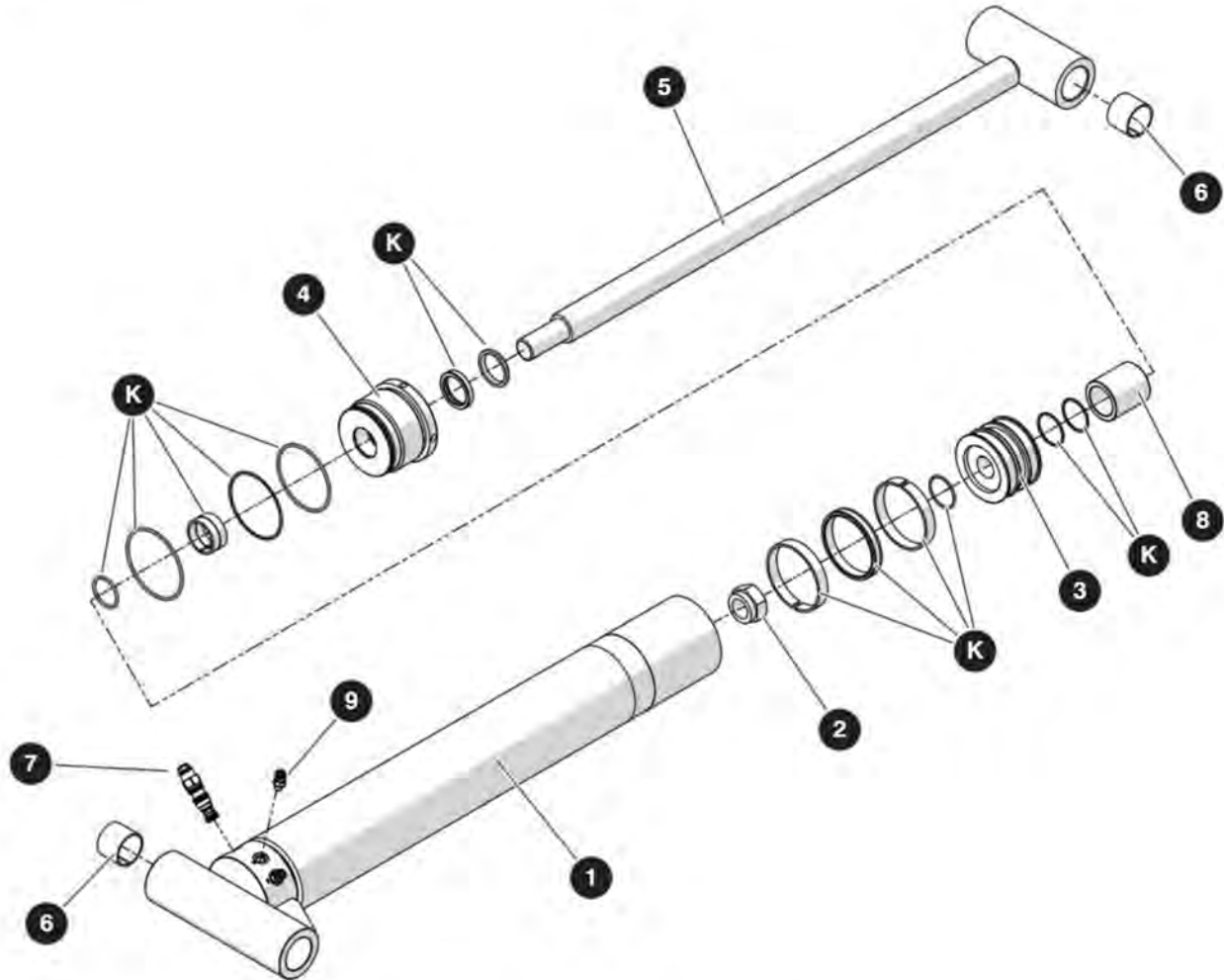
Section 3 – Cylinders



3.1 Extension Cylinder

Index No.	Skyjack Part No.	Qty.	Description
-	148700	1	EXTENSION CYLINDER
-	148712	1	• EXTENSION CYLINDER
1	154547	1	• • WELDMENT, Tube
2	154539	1	• • NUT, Rod
3	154543	1	• • PISTON
4	154546	1	• • STOP SLEEVE
5	154544	1	• • GLAND
6	154548	1	• • WELDMENT, Rod
7	141453	1	• • VALVE, Counterbalance (1000 psi)
8	149228	1	• • VALVE, Counterbalance (3000 psi)
9	103069	1	• FITTING, Straight (06 JICM - 06 ORBM)
10	702761	1	• FITTING, Elbow 90° (06 JICM - 06 JICFSW)
11	114578	1	• FITTING, Elbow 90° (06 JICM - 06 ORBM)
12	152417	2	• PAD, Wear
13	103596	4	• BOLT, Hex head (3/8"-16 x 2" Grade 5)
14	103472	8	• WASHER, Flat (3/8")
15	104606	4	• NUT, Hex lock (3/8"-16 Grade 5, nylon)
K	154537	1	SEAL KIT

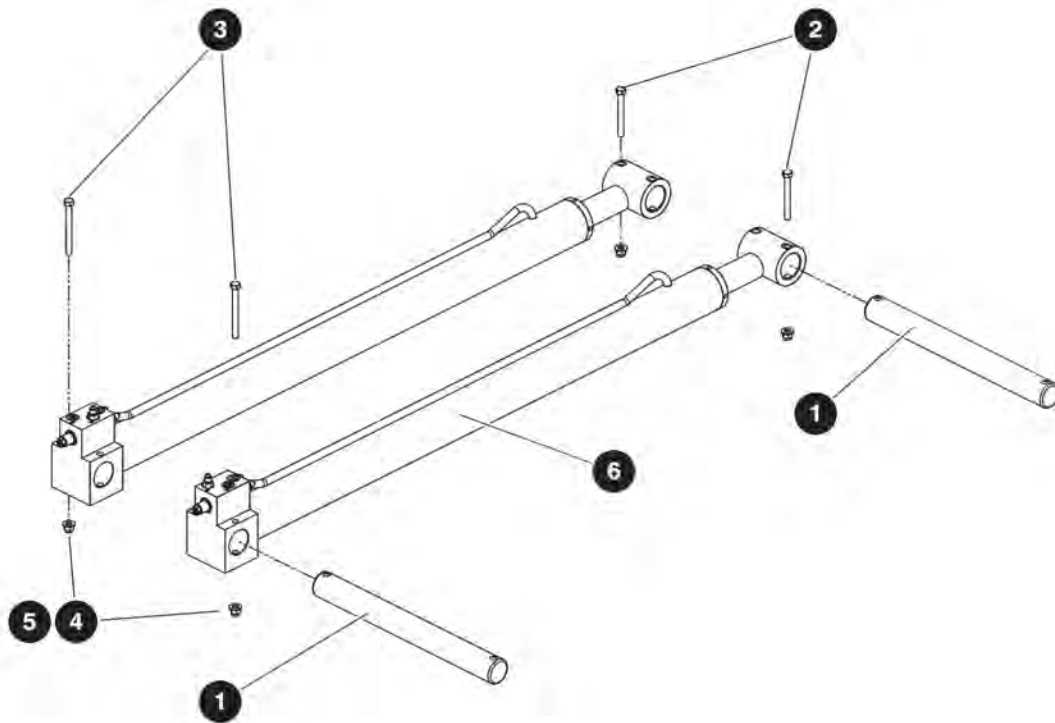
3.2 Lift Cylinder



M238369AA

Index No.	Skyjack Part No.	Qty.	Description
-	220590	1	LIFT CYLINDER
-	238369	1	• CYLINDER, LIFT
1	229055	1	• • BARREL
2	154530	1	• • NUT, Rod
3	230692	1	• • PISTON
4	154535	1	• • GLAND
5	230693	1	• • ROD
6	154533	4	• • BEARING
7	152326	1	• • VALVE, Counterbalance
8	240881	2	• • TUBE, Stop (2.38 OD x 1.75 ID x 2.6 LG)
9	131716	2	• FITTING, Elbow 45° (04 JICM - 04 ORBM)
K	229058	1	SEAL KIT

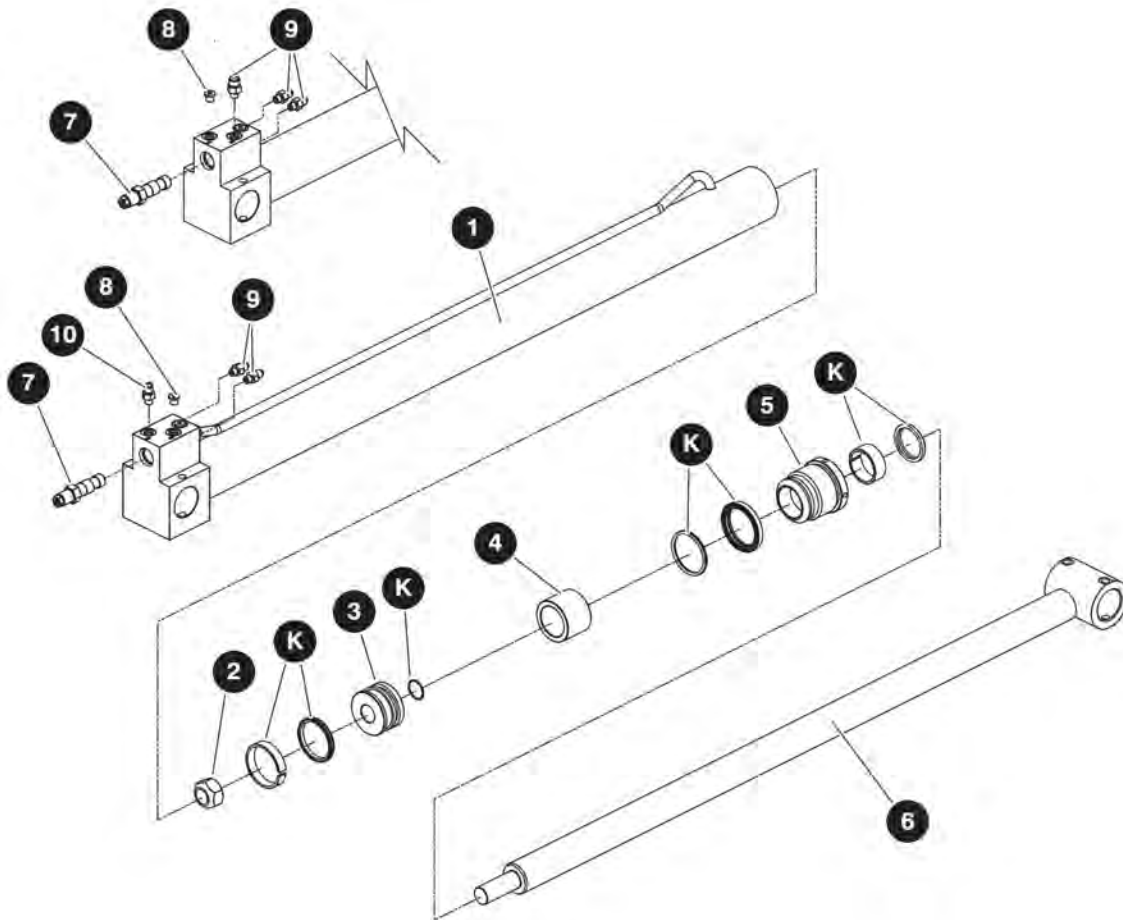
3.3 Riser Cylinder Mounting



M148619AA

Index No.	Skyjack Part No.	Qty.	Description
1	158770	2	PIN (1 3/4" diameter x 15")
2	103916	2	BOLT, Hex head (3/8"-16 x 3 1/4" Grade 5)
3	152350	2	BOLT, Hex head (3/8"-16 x 4" Grade 5)
4	103472	4	WASHER, Flat (3/8")
5	104606	4	NUT, Hex lock (3/8"-16 Grade 5, nylon)
6	(Ref.)	2	RISER CYLINDER ASSEMBLY (For components, refer to 3.4 Riser Cylinder)

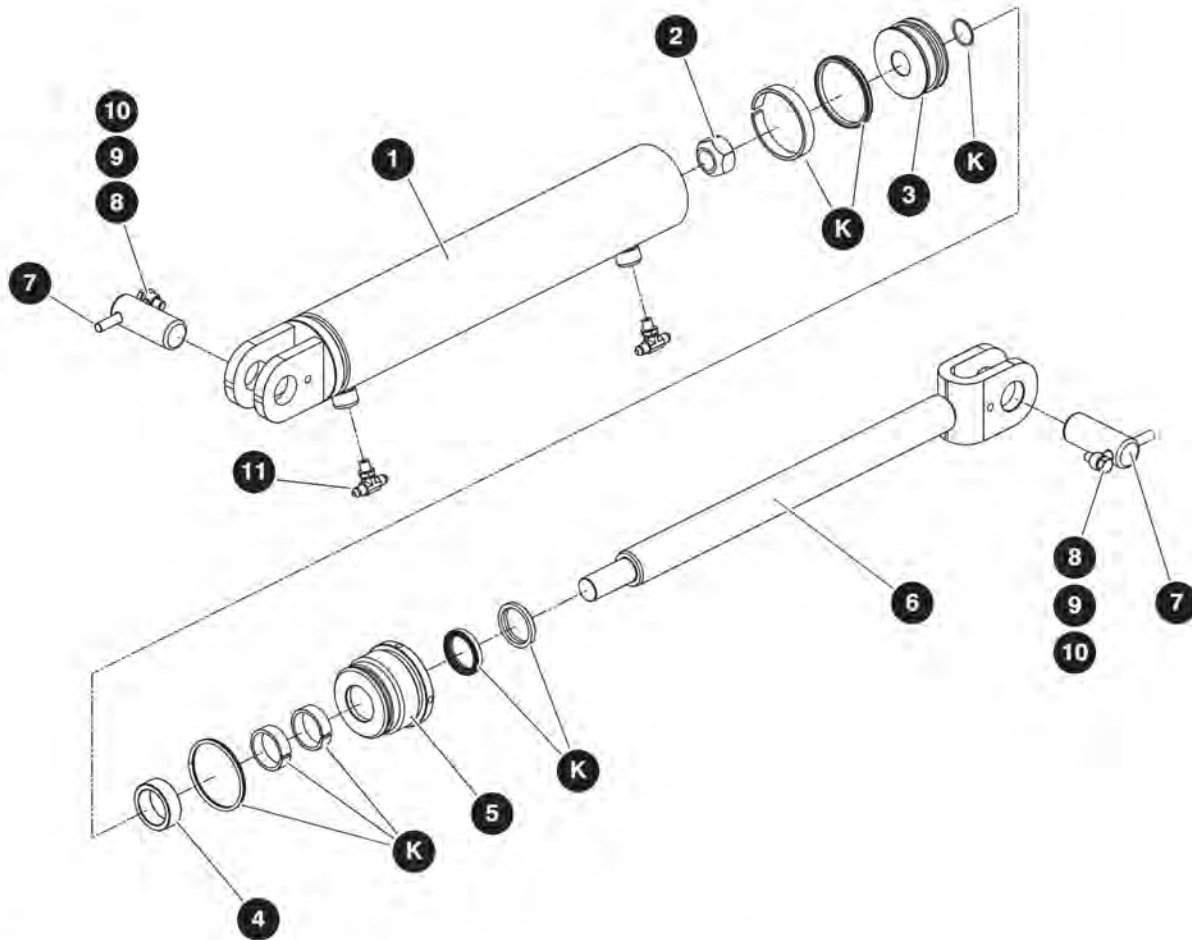
3.4 Riser Cylinder



M148710AB

Index No.	Skyjack Part No.	Qty.	Description
-	148710	2	RISER CYLINDER ASSEMBLY
1	154563	1	• WELDMENT, Tube
2	152256	1	• NUT, Rod
3	154566	1	• PISTON
4	154568	1	• TUBE STOP
5	154567	1	• GLAND
6	154564	1	• WELDMENT, Rod
7	149488	1	• VALVE, Counterbalance
8	121250	2	• PLUG, Hex socket (04 ORBM)
9	128869	5	FITTING, Straight (06 JICM - 04 ORBM)
10	126128	1	FITTING, Straight (04 JICM - 04 ORBM)
K	154562	1	SEAL KIT

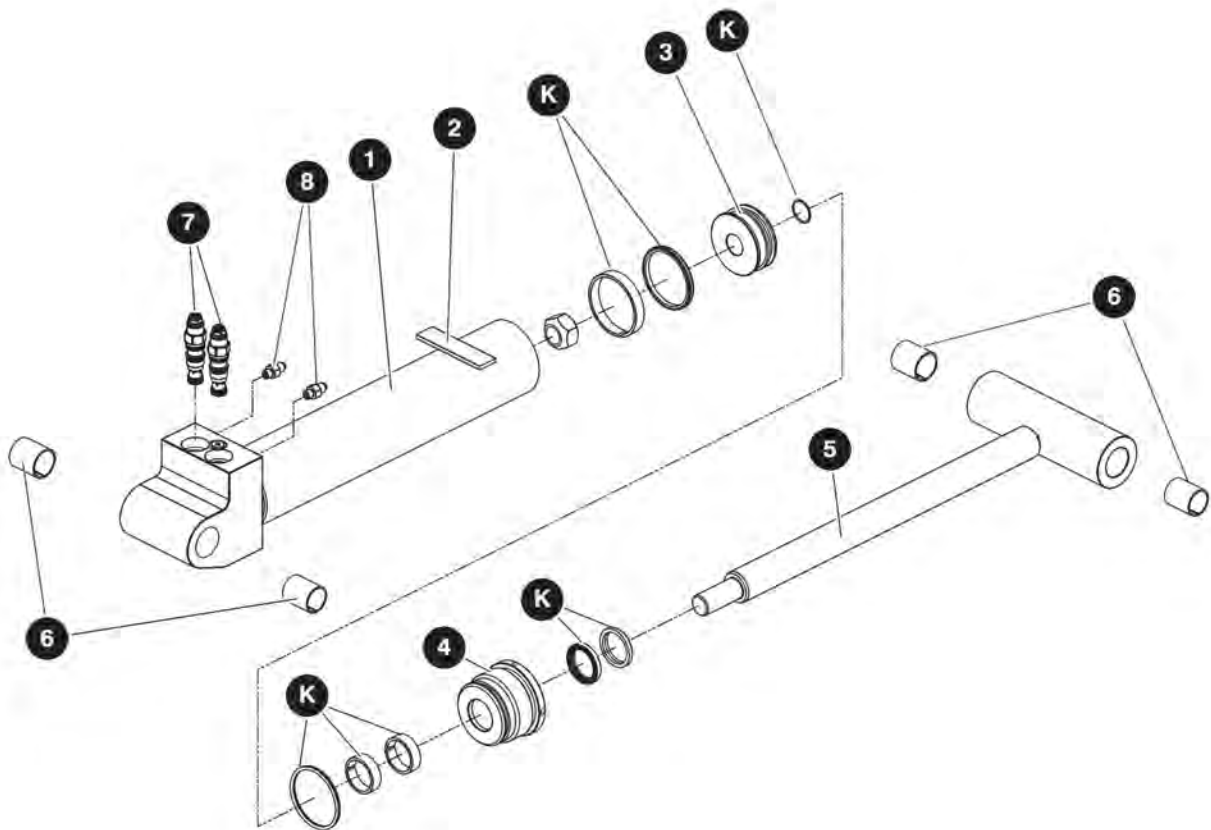
3.5 Master Cylinder



M148628AA

Index No.	Skyjack Part No.	Qty.	Description
-	148628	1	MASTER CYLINDER ASSEMBLY
-	148715	1	• MASTER CYLINDER
1	154525	1	• • WELDMENT, Tube
2	152256	1	• • NUT, Rod
3	154522	1	• • PISTON
4	154527	1	• • TUBE STOP
5	154523	1	• • GLAND
6	154526	1	• • WELDMENT, Rod
7	148846	2	• PIN (1 1/4" diameter x 3 1/8")
8	146897	2	• KEEPER PIN (3/8")
9	139193	2	• BOLT, Hex head patch (3/8"-16 x 7/8" Grade 8, ZP)
10	103472	2	• WASHER, Flat (3/8")
11	132463	2	• FITTING, Tee (04MJ04MB04MJ)
K	154524	1	SEAL KIT

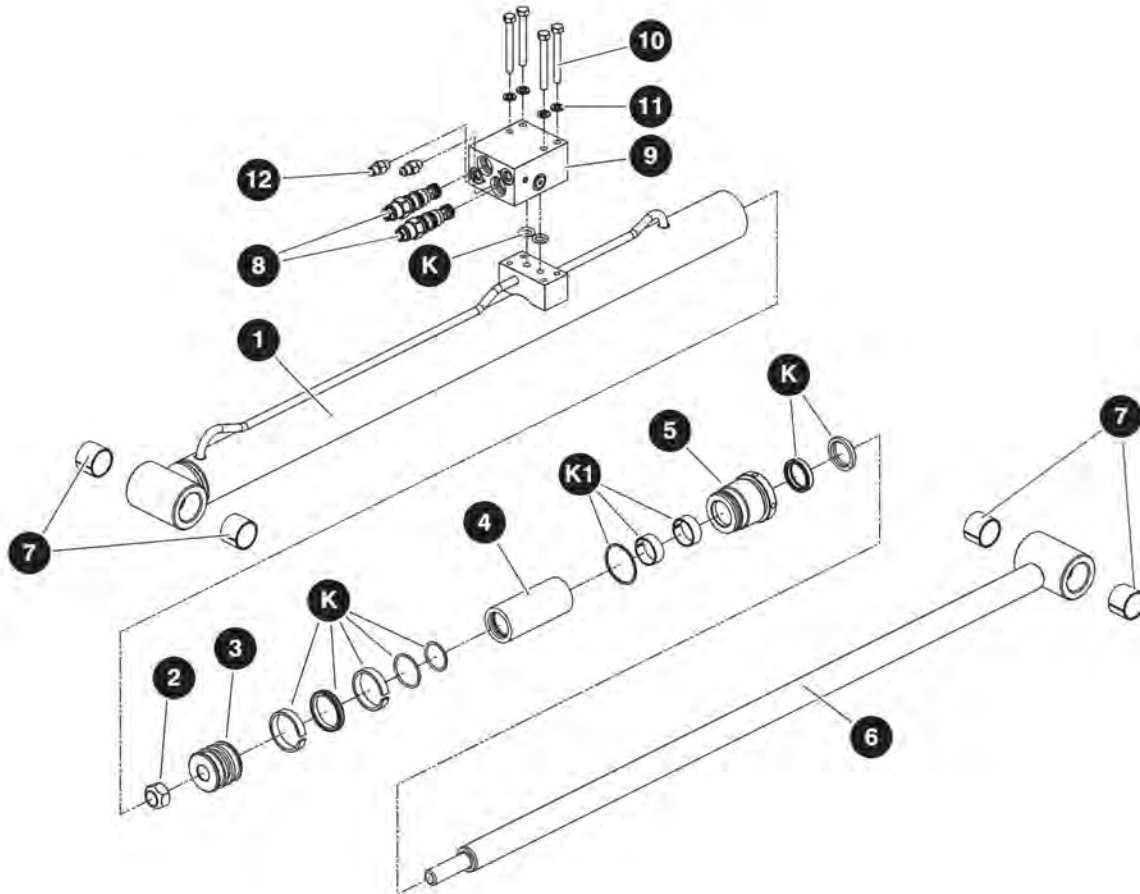
3.6 Slave Cylinder



M148629AA

Index No.	Skyjack Part No.	Qty.	Description
-	148629	1	SLAVE CYLINDER ASSEMBLY
-	148716	1	• SLAVE CYLINDER
1	152255	1	• • WELDMENT, Tube
2	152256	1	• • NUT, Rod
3	154522	1	• • PISTON
4	154523	1	• • GLAND
5	154519	1	• • WELDMENT, Rod
6	154521	4	• • BEARING
7	701827	1	• • VALVE, Counterbalance
8	126128	2	• FITTING, Straight (04 JICM - 04 ORBM)
K	152254	1	SEAL KIT

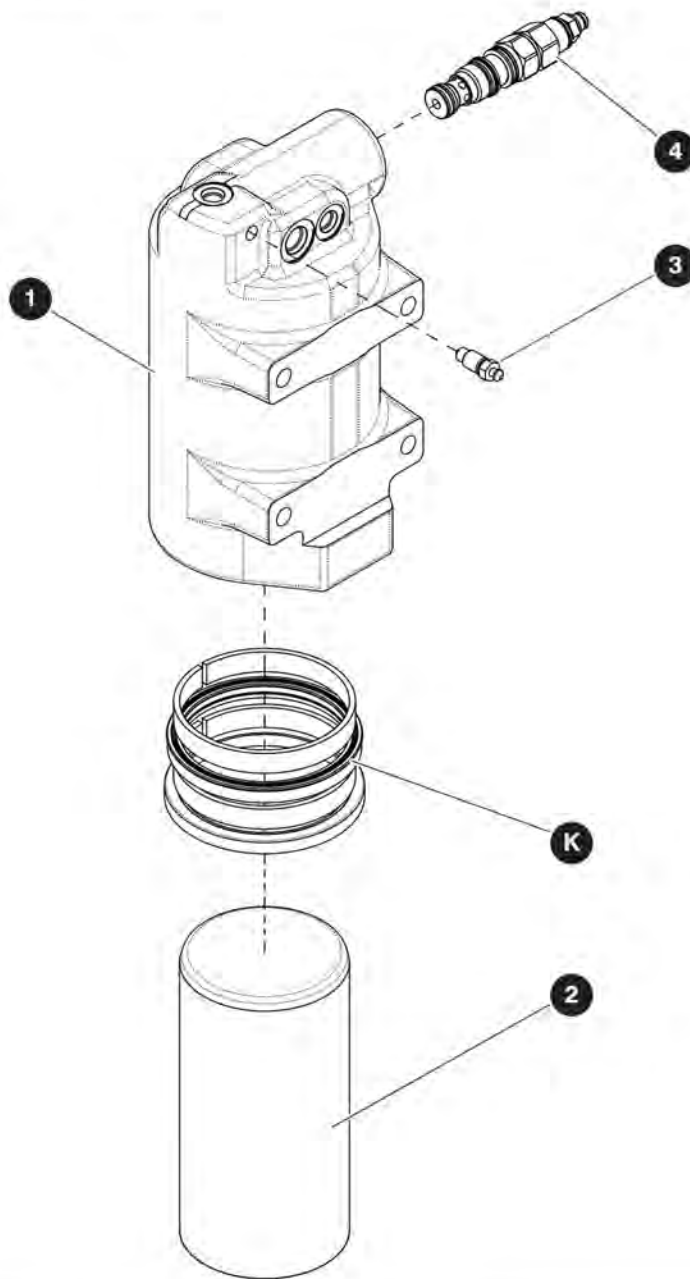
3.7 Jib Cylinder



M148714AB

Index No.	Skyjack Part No.	Qty.	Description
-	218750	1	JIB CYLINDER
1	236648	1	• BARREL
2	154539	1	• NUT, Rod
3	236650	1	• PISTON
4	154546	1	• STOP SLEEVE
5	236651	1	• GLAND
6	236649	1	• ROD
7	236652	4	• BEARING
8	236654	1	• VALVE, Counterbalance
9	154556	1	• BLOCK, Manifold
10	154554	4	• BOLT, Hex head (5/16"-18 x 2 3/4" Grade 5, zinc)
11	154555	4	• WASHER, Flat zinc (5/16")
12	126128	2	• FITTING, Straight (04 JICM - 04 ORBM)
K	236653	1	SEAL KIT

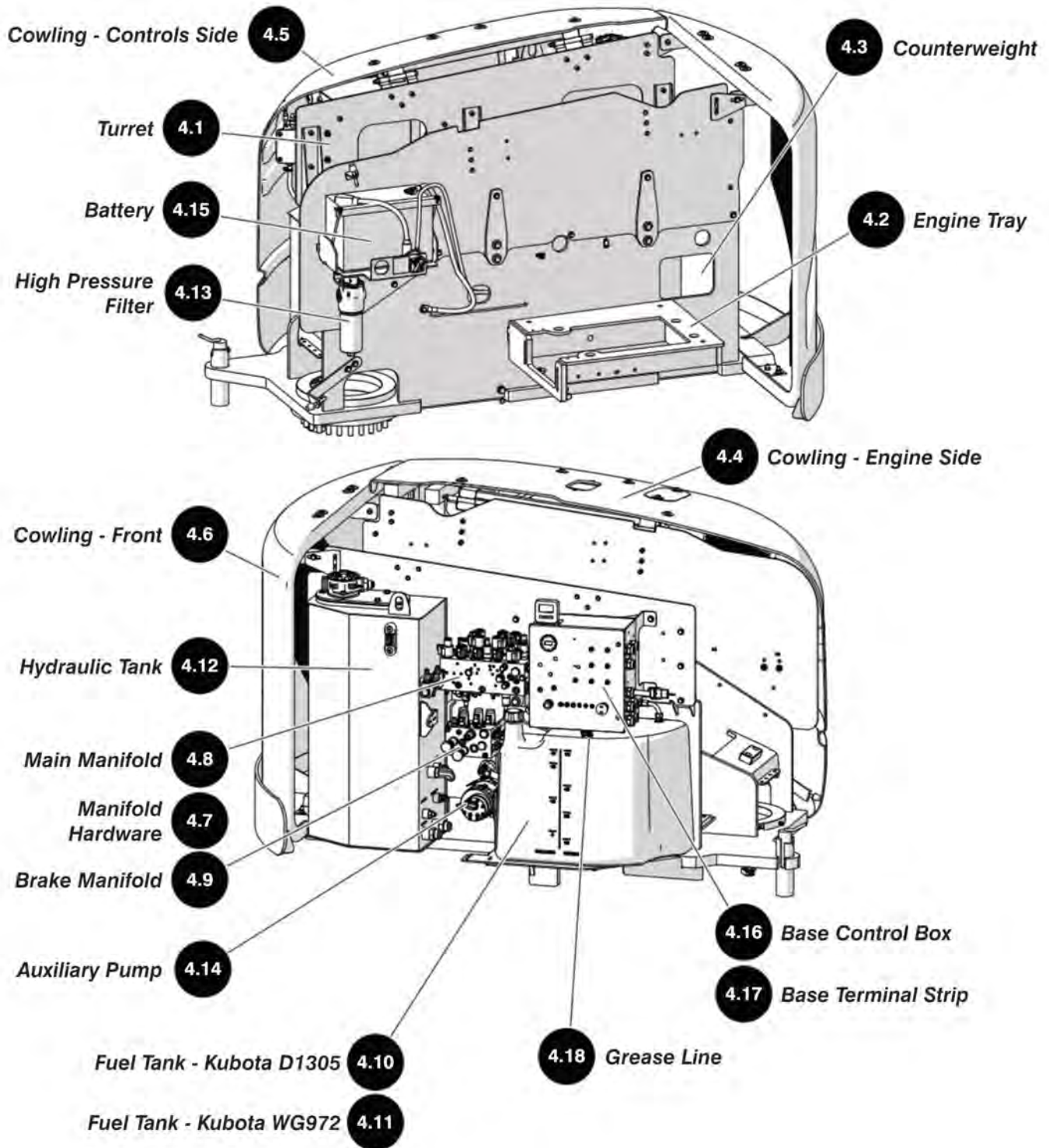
3.8 Axle Lock Cylinder



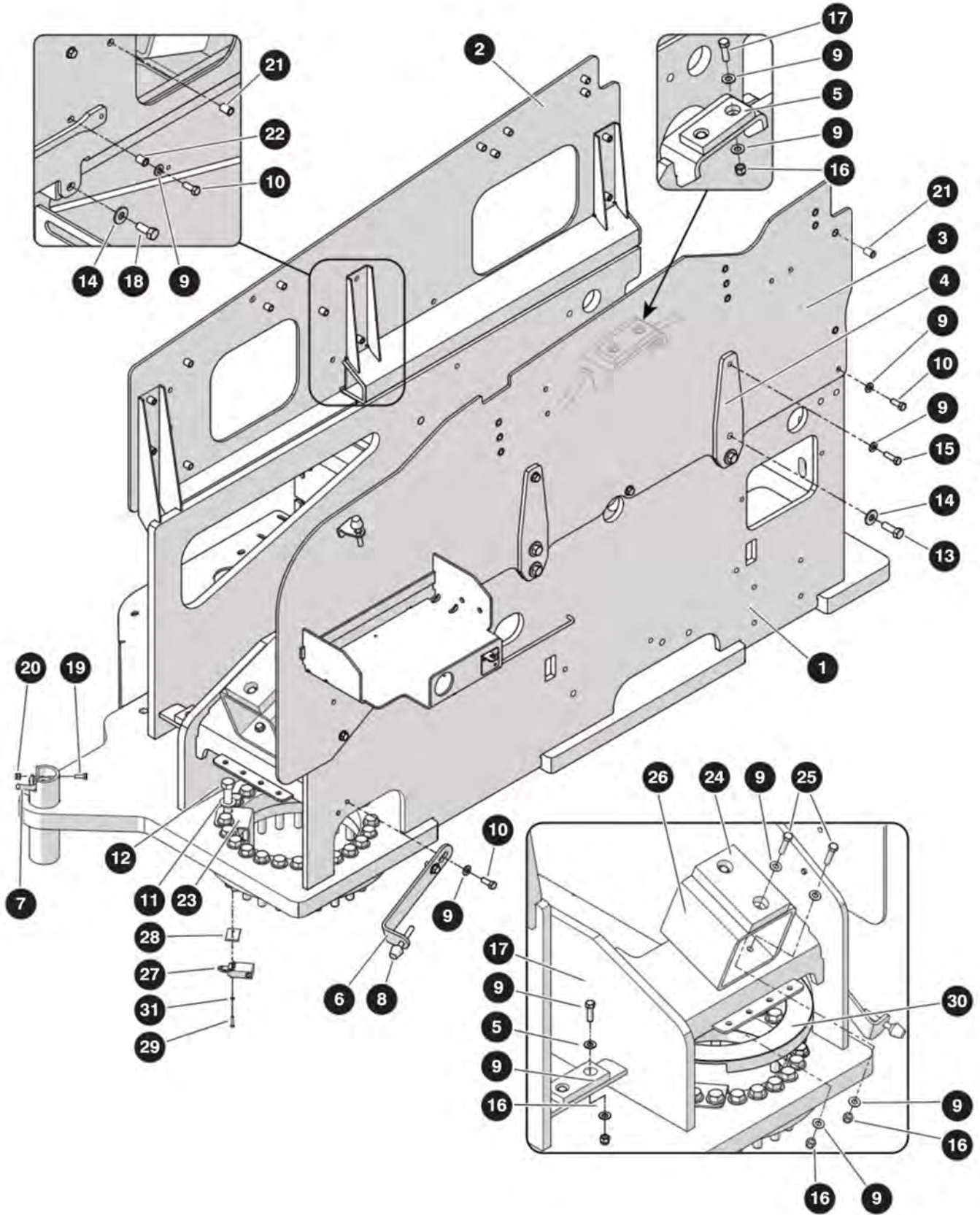
M198433AB

Index No.	Skyjack Part No.	Qty.	Description
--	212871	1	AXLE LOCK CYLINDER
1	154558	1	• BARREL
2	154559	1	• ROD
3	154561	1	• SCREW, Bleed
4	212872	1	• VALVE, Counterbalance - 4800 psi
K	154557	1	SEAL KIT, Axle lock cylinder

Section 4 – Turret



4.1 Turret



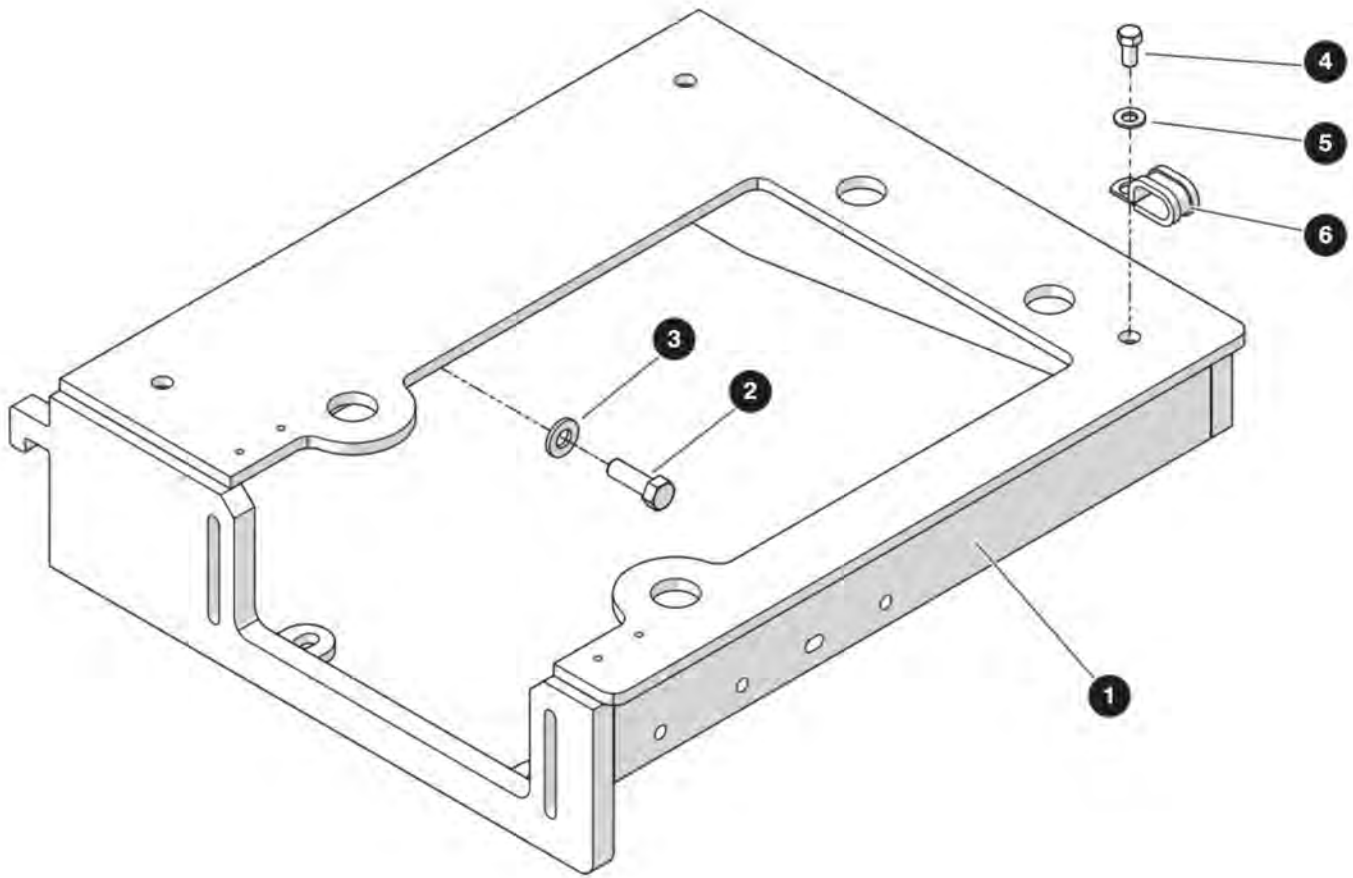
M237995AC

238271ACA

4.1 Turret

Index No.	Skyjack Part No.	Qty.	Description
-	237995	1	TURRET ASSEMBLY
1	237996	1	• WELDMENT, Turret
2	238361	1	• PLATE, Turret - upper left
3	238363	1	• PLATE, Turret - upper right
4	162292	2	• PLATE, Stiffener - turret
5	162293	2	• PAD, Guide (5.00" x 2.00" x 0.625")
6	162294	1	• BRACKET, Bumper - lower cowling
7	238049	1	• PIN, Transportation locking
8	116494	2	• BUMPER, Engine guard
9	103472	33	• WASHER, Lock (3/8")
10	103473	15	• BOLT, Hex head (3/8"-16 x 1" Grade 5)
11	700782	23	• WASHER, Flat hardened (5/8")
12	701762	23	• BOLT, Hex head (5/8"-11 x 4.5" Grade 8)
13	103907	4	• BOLT, Hex head (1/2"-13 x 1.5" Grade 5)
14	103468	5	• WASHER, Flat (1/2")
15	117430	2	• BOLT, Hex head (3/8"-16 x 1.25" Grade 8)
16	104606	8	• NUT, Hex head nylon lock (3/8"-16 Grade 5)
17	101297	4	• BOLT, Hex head (3/8"-16 x 1 1/4" Grade 5)
18	103910	1	• BOLT, Hex head (1/2"-13 x 1.25" Grade 8)
19	103856	1	• BOLT, Hex head (1/4"-20 x 0.75" Grade 5)
20	115649	1	• NUT, Hex head nylon lock (1/4"-20 Grade 5)
21	167459	25	• INSERT, 3/8"-16 AK series (0.150"-0.312")
22	167460	7	• INSERT, 3/8"-16 AK series (0.027"-0.150")
23	216472	1	• BRACKET, Limit switch
24	212857	1	• PAD, Guide (5.00" x 2.00" x 0.625")
25	208945	4	• BOLT, Hex head (0.375"-16 x 1.625" Grade 5)
26	238050	1	• TUBE, Boom rest
-	210399	1	DIRECTION SENSING LIMIT SWITCH ASSEMBLY
27	199486	1	• SWITCH, Limit - roller plunger (5 m)
28	211213	1	• PLATE, Limit switch - threaded
29	126499	2	• SCREW, Round head machine (8-32 x 0.875")
30	208815	1	• RING, Protector - plastic
31	122249	2	• WASHER, Lock (#8)

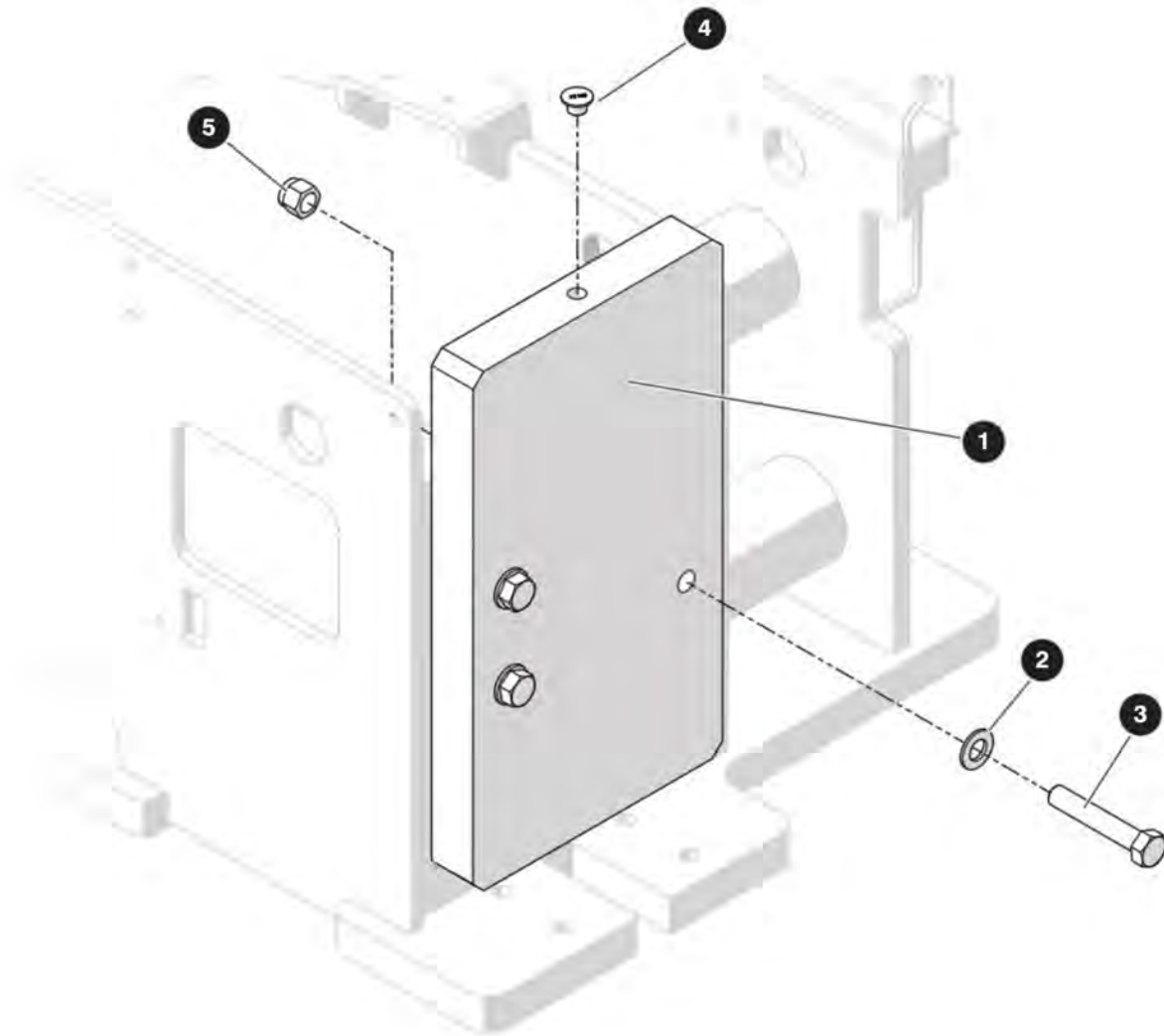
4.2 Engine Tray



M238732AB

Index No.	Skyjack Part No.	Qty.	Description
-	238732	1	ENGINE TRAY ASSEMBLY
1	235796	1	• ENGINE TRAY WELDMENT
2	103907	3	• BOLT, Hex head (1/2"-13 x 1-1/2", gr 5)
3	104379	3	• WASHER, Flat hardened (1/2")
4	101632	1	• BOLT, Hex head (3/8"-16 x 3/4", gr 5)
5	125959	1	• WASHER, Flat hardened (3/8")
6	152333	1	• CLAMP, Tube - cushioned (5/8" with 17/32" hole)

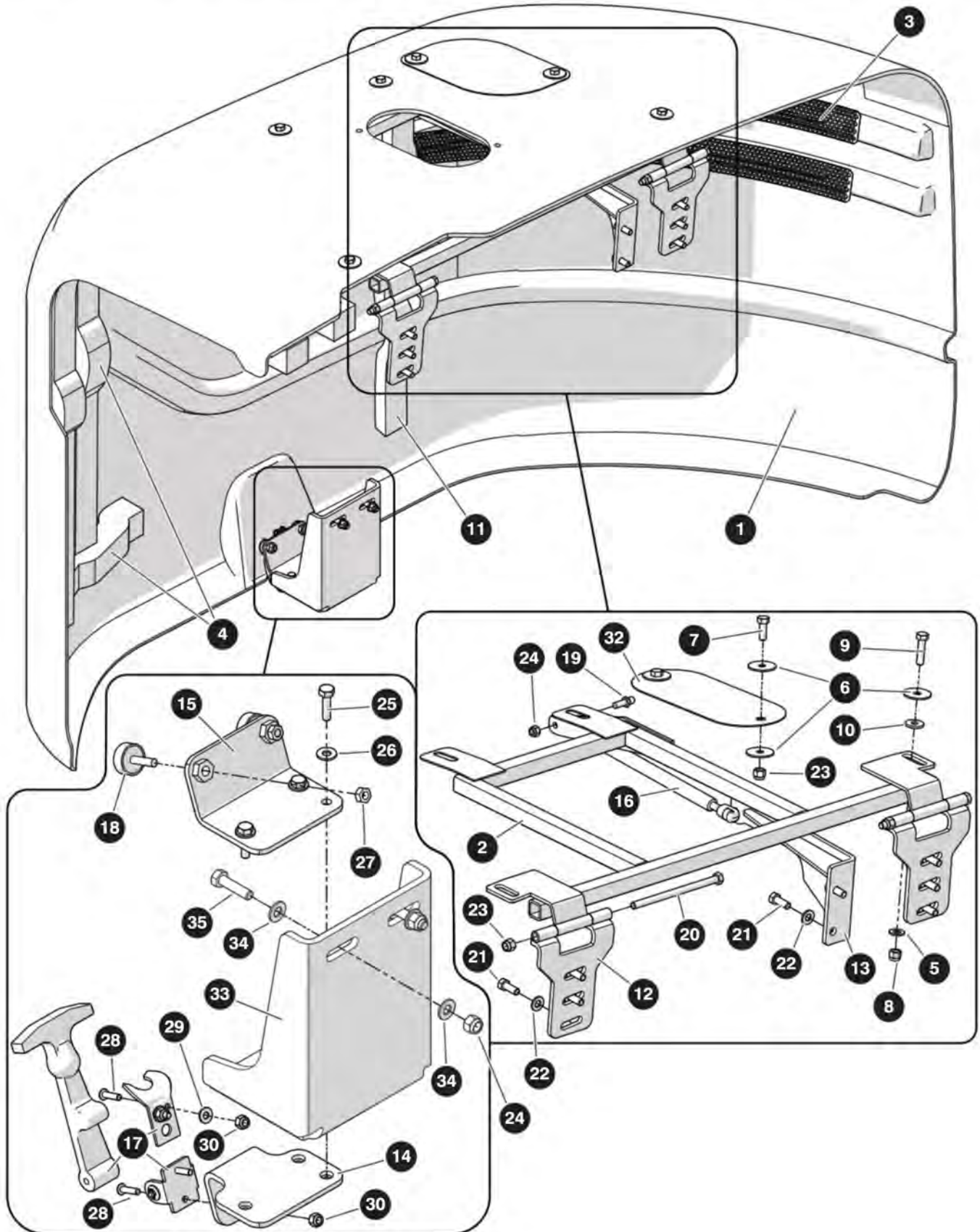
4.3 Counterweight



M239536AA

Index No.	Skyjack Part No.	Qty.	Description
-	239536	1	COUNTERWEIGHT
1	239537	1	• COUNTERWEIGHT
2	702194	6	• WASHER, Flat hardened (3/4")
3	191836	3	• BOLT, Hex head (3/4"-10 x 4-1/4", gr 8)
4	144105	1	• PLUG (3/4" threaded hole)
5	138266	3	• NUT, Lock (3/4"-10, gr 8)

4.4 Cowling - Engine Side



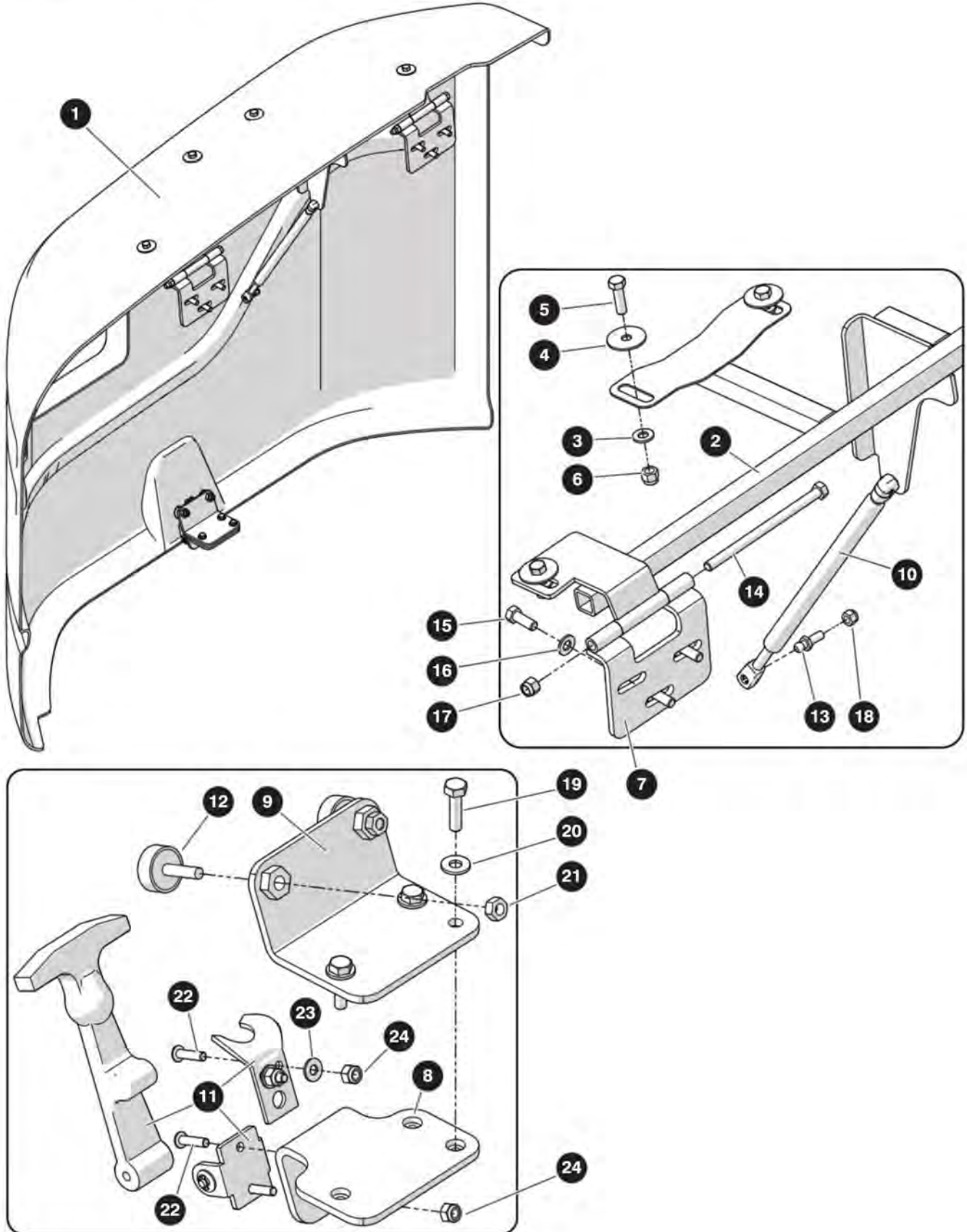
M218579AD

238271ACA

4.4 Cowling - Engine Side

Index No.	Skyjack Part No.	Qty.	Description
-	218579	1	ENGINE SIDE COWLING
-	149259	1	• COWLING, Engine side
1	149261	1	• • COWLING, Shell - engine side
2	160214	1	• • FRAME, Cowling - engine side
3	238355	2	• • PLATE, Perforated
4	148368	1	• • FOAM, 2" x 2" (#1441FR)
5	125959	4	• • WASHER, Flat hardened (3/8")
6	127067	4	• • WASHER, Flat BB style (3/8")
7	101297	2	• • BOLT, Hex head (3/8"-16 x 1 1/4", gr 5)
8	104606	4	• • NUT, Hex lock (3/8"-16, gr 5, nylon)
9	103870	2	• • BOLT, Hex head (3/8"-16 x 1 1/2", gr 5)
10	152416	2	• • WASHER, Rubber (1x 3/7 x 1/8 TK)
11	197271	1	• • FOAM (1" thick x 2" wide)
12	152427	2	• HINGE, Lower - RH
13	238352	1	• MOUNT, Gas spring
14	149333	1	• MOUNT, Latch
15	149334	1	• BUMPER, Cowling
16	152431	1	• GAS SPRING, Cowling
17	144002	1	• LATCH, Flexible draw
18	144015	2	• MOUNT, Anti-vibration
19	146903	2	• STUD, Ball (10mm)
20	138736	2	• BOLT, Hex head (3/8"-16 x 6", gr 5)
21	103473	12	• BOLT, Hex head (3/8"-16 x 1", gr 5)
22	125959	10	• WASHER, Flat hardened (3/8")
23	104606	4	• NUT, Hex lock (3/8"-16, gr 5, nylon)
24	103984	4	• NUT, Hex lock (5/16"-18 gr 5, nylon)
25	103857	3	• BOLT, Hex head (1/4"-20 x 1", gr 5)
26	103995	3	• WASHER, Flat (1/4")
27	103980	2	• NUT, Hex head (1/4"-20 Grade 8)
28	138834	4	• SCREW, Round machine (#10-24 x 3/4")
29	104694	2	• WASHER, Flat (#10)
30	126642	4	• NUT, Hex lock (#10-24 gr 5, nylon)
31	127067	4	• WASHER, Flat BB (3/8")
32	238351	1	• PLATE, Cover
33	237585	1	• BRACKET, Latch - cowling
34	103996	4	• WASHER, Flat (5/16")
35	112532	2	• BOLT, Hex head (5/16"-18 x 1-1/4", gr 5)

4.5 Cowling - Controls Side



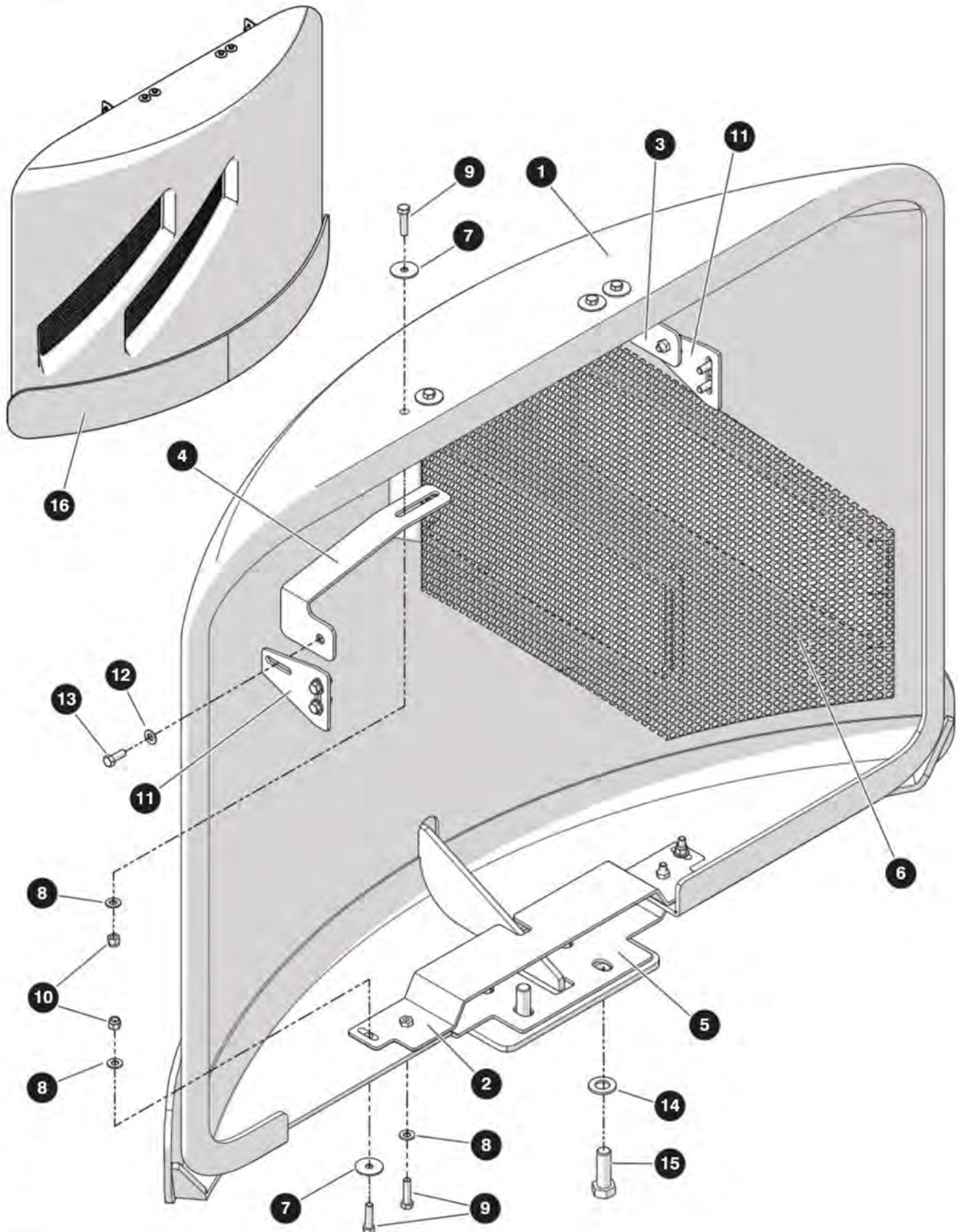
M218576AB

238271ACA

4.5 Cowling - Controls Side

Index No.	Skyjack Part No.	Qty.	Description
-	218576	1	CONTROLS SIDE COWLING
-	149260	1	• COWLING, Controls side
1	149262	1	• • COWLING, Shell - controls side
2	160204	1	• • FRAME, Cowling - controls side
3	125959	4	• • WASHER, Flat hardened (3/8")
4	127067	4	• • WASHER, Flat BB style (3/8")
5	101297	4	• • BOLT, Hex head (3/8"-16 x 1 1/4", gr 5)
6	104606	4	• • NUT, Hex lock (3/8"-16, gr 5 nylon)
7	149483	2	• HINGE, Lower - LH
8	149333	1	• MOUNT, Latch
9	149334	1	• BUMPER, Cowling
10	152431	1	• GAS SPRING, Cowling
11	144002	1	• LATCH, Flexible draw
12	144015	2	• MOUNT, Anti-vibration
13	146903	2	• STUD, Ball (10mm)
14	138736	2	• BOLT, Hex head (3/8"-16 x 6", gr 5)
15	103473	6	• BOLT, Hex head (3/8"-16 x 1", gr 5)
16	125959	6	• WASHER, Flat hardened (3/8")
17	104606	2	• NUT, Hex lock (3/8"-16, gr 5 nylon)
18	103984	2	• NUT, Hex lock (5/16"-18, gr 5 nylon)
19	103857	3	• BOLT, Hex head (1/4"-20 x 1", gr 5)
20	103995	3	• WASHER, Flat (1/4")
21	103980	2	• NUT, Hex head (1/4"-20, gr 8)
22	138834	4	• SCREW, Round machine (#10-24 x 3/4")
23	104694	2	• WASHER, Flat (#10)
24	126642	4	• NUT, Hex lock (#10-24, gr 5 nylon)

4.6 Cowling - Front



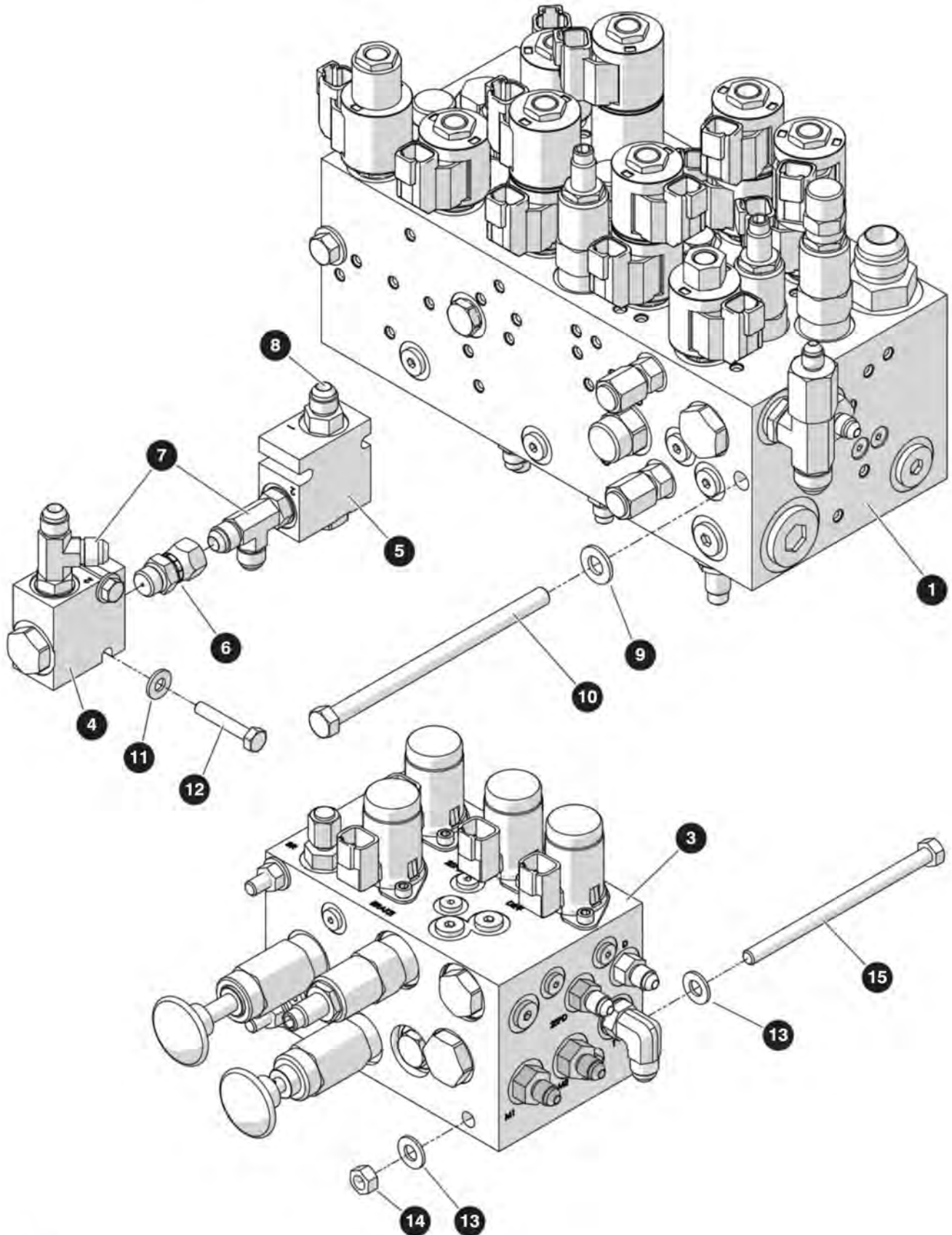
M230854AA

238271ACA

4.6 Cowling - Front

Index No.	Skyjack Part No.	Qty.	Description
-	238335	1	FRONT COWLING
-	238336	1	• COWLING, Front
1	238337	1	• • COWLING SHELL, Front
2	238338	1	• • BRACKET, Cowling - bottom
3	238340	1	• • BRACKET, Cowling - top RH
4	238342	1	• • BRACKET, Cowling - top LH
5	238344	1	• • BRACKET, Mounting
6	238345	1	• • PLATE, Perforated
7	127067	6	• • WASHER, Flat BB style (3/8")
8	125959	8	• • WASHER, Flat hardened (3/8")
9	103870	8	• • BOLT, Hex head (3/8"-16 x 1-1/2", gr 5)
10	104606	6	• • NUT, Lock (3/8"-16, gr 5)
11	238346	2	• PLATE, Mounting
12	125959	6	• WASHER, Flat hardened (3/8")
13	103476	6	• BOLT, Hex head (3/8"-16 x 1", gr 5)
14	702194	4	• WASHER, Flat hardened (3/4")
15	153606	4	• BOLT, Hex head (3/4"-10 x 2 1/4", gr 8)
16	238837	1	PROTECTION, Cowling - CE

4.7 Manifold Hardware



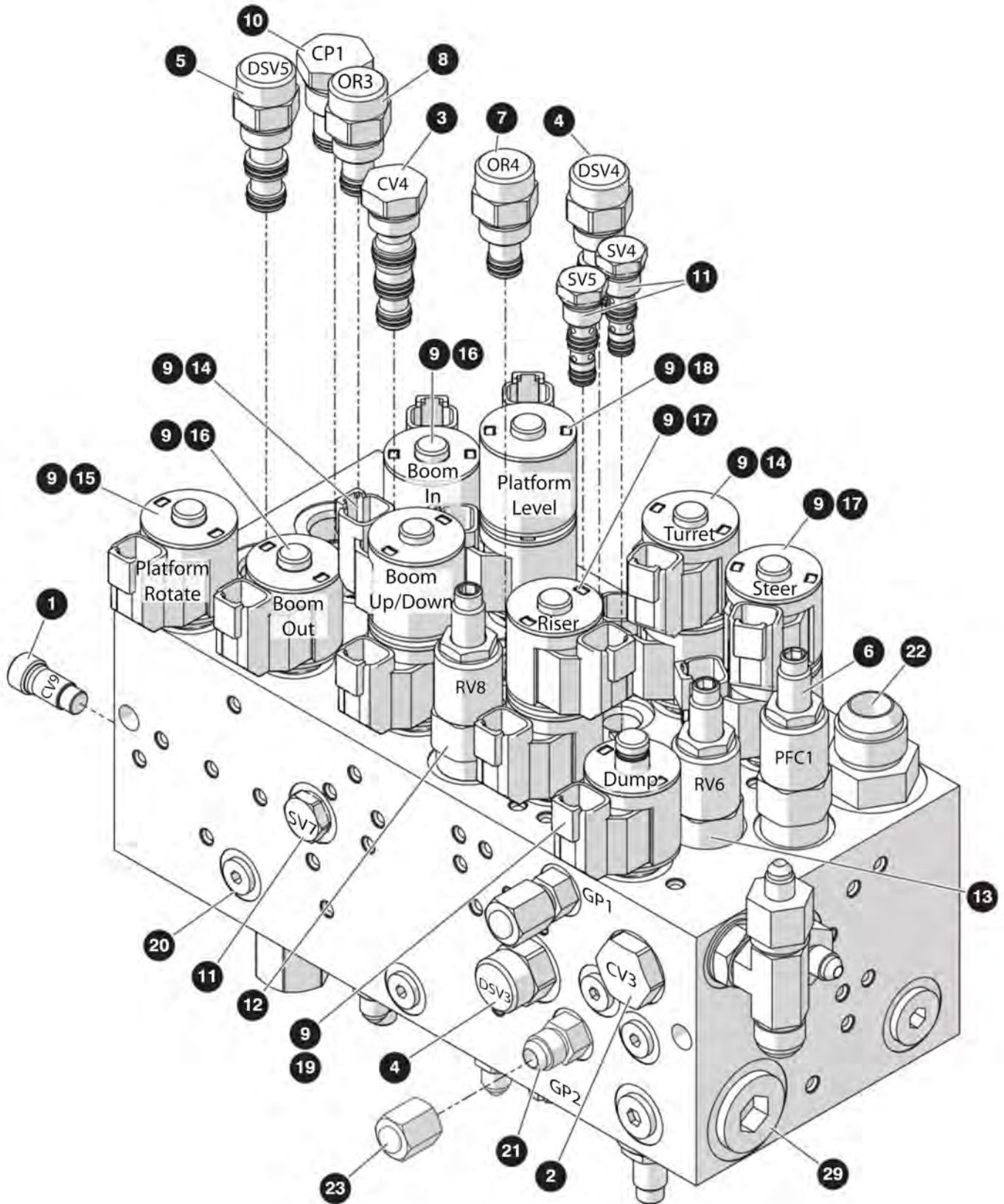
M230147AB

238271ACA

4.7 Manifold Hardware

Index No.	Skyjack Part No.	Qty.	Description
-	230147	1	MANIFOLD ASSEMBLY WITH HARDWARE
1	(Ref.)	1	<ul style="list-style-type: none"> • MAIN MANIFOLD (For components, refer to 4.8 Main Manifold)
3	(Ref.)	1	<ul style="list-style-type: none"> • BRAKE MANIFOLD (For components, refer to 4.9 Brake Manifold)
-	213881	1	<ul style="list-style-type: none"> • LINE BODY VALVE
4	163182	1	<ul style="list-style-type: none"> • VALVE ASSEMBLY, Check
	166075	1	<ul style="list-style-type: none"> • • BLOCK, Check Valve
	159815	1	<ul style="list-style-type: none"> • • VALVE, Check
5	163183	1	<ul style="list-style-type: none"> • VALVE ASSEMBLY, Check
	166075	1	<ul style="list-style-type: none"> • • BLOCK, Check Valve
	166066	1	<ul style="list-style-type: none"> • • VALVE, Check
6	228312	1	<ul style="list-style-type: none"> • FITTING, Straight (06JIC-06ORBM, 0.67 orifice)
7	114581	2	<ul style="list-style-type: none"> • FITTING, Tee (06 JICM - 06 ORBM - 06 JICM)
8	103069	1	<ul style="list-style-type: none"> • FITTING, Straight (06 JICM - 06 ORBM)
9	125959	2	<ul style="list-style-type: none"> • WASHER, Flat hardened (3/8")
10	138736	2	<ul style="list-style-type: none"> • BOLT, Hex head (0.375"-16 x 6.00 gr 5)
11	103995	2	<ul style="list-style-type: none"> • WASHER, Flat (1/4")
12	103859	2	<ul style="list-style-type: none"> • BOLT, Hex head (1/4"-20 x 1.50" Grade 5)
13	103996	8	<ul style="list-style-type: none"> • WASHER, Flat (5/16")
14	100397	3	<ul style="list-style-type: none"> • NUT, Hex head (5/16"-18, Grade 5)
15	138762	3	<ul style="list-style-type: none"> • BOLT, Hex head (5/16"-18 x 5.00", Grade 5)

4.8 Main Manifold



M218327AA-1

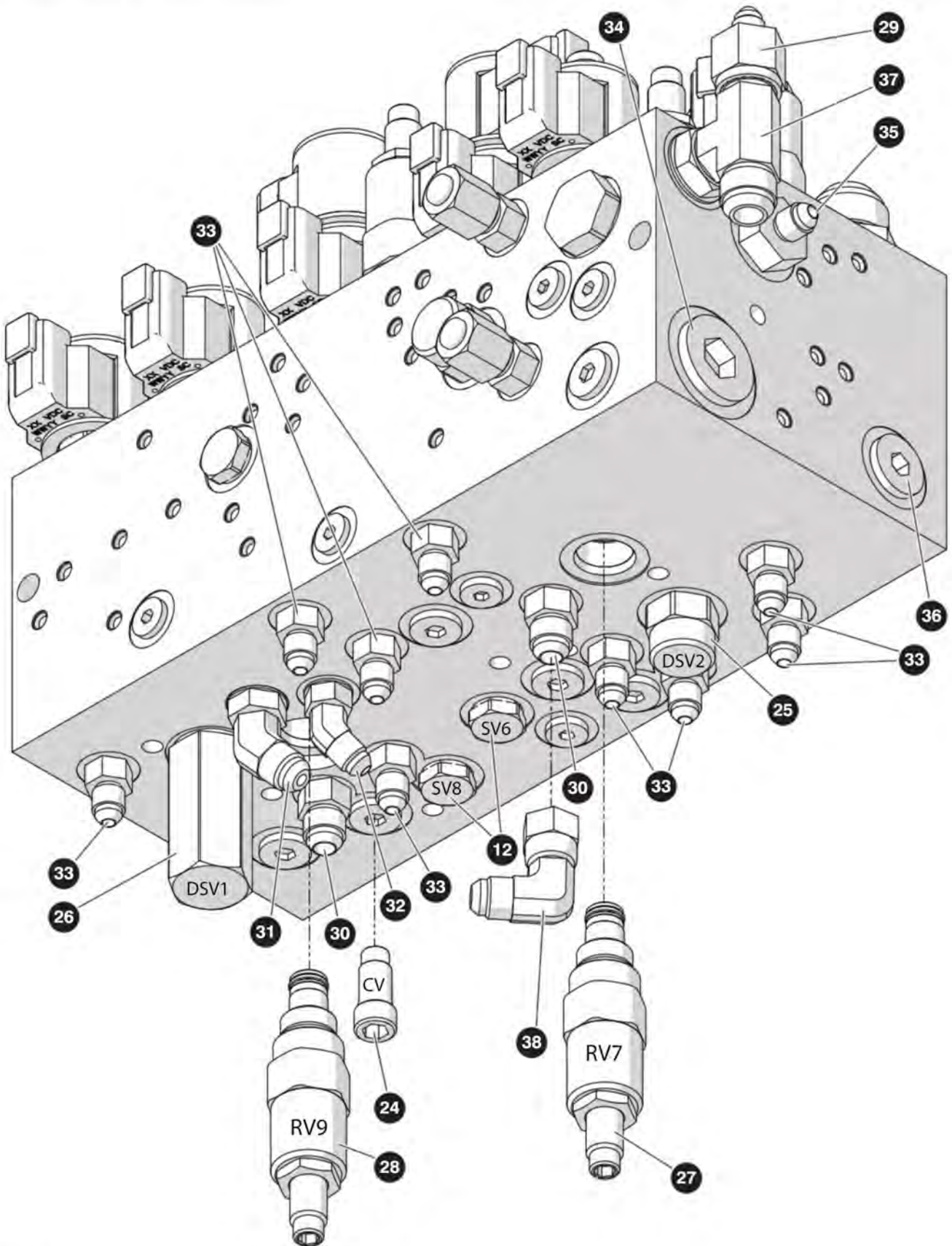
238271ACA

4.8 Main Manifold

Index No.	Skyjack Part No.	Qty.	Description
-	218327	1	MAIN MANIFOLD
1	166067	1	• VALVE, Check
2	166064	1	• VALVE, Check
3	159817	1	• VALVE, Check (Pilot operated)
4	166063	2	• COMPENSATOR, Pressure
5	166062	1	• COMPENSATOR, Pressure
6	166055	1	• REGULATOR, Pressure
7	166057	1	• REGULATOR, Pressure
8	166056	1	• REGULATOR, Pressure
9	159821	14	• COIL, 12 VDC
10	231437	1	• PLUG, Cavity
11	166054	5	• VALVE, Shuttle
12	166044	1	• VALVE, Differential relief
13	166043	1	• VALVE, Differential relief
14	166041	3	• VALVE, Spool (3 position 4 way)
15	231438	1	• VALVE, Spool (2 position 2 way)
16	166037	2	• VALVE, Spool (3 way)
17	158186	1	• VALVE, Spool (3 position 4 way)
18	166036	1	• VALVE, Spool (3 position 4 way)
19	166039	1	• VALVE, Spool (2 way)
20	121250	3	• PLUG, Hex socket (04 ORBM)
21	128869	2	• FITTING, Straight (06 JICM - 06 ORBM)
22	702118	1	• FITTING, Straight (12 JICM - 12 ORBM)
23	107666	2	• FITTING, Cap (06 JICF)

The parts list is continued on the next page.

4.8 Main Manifold



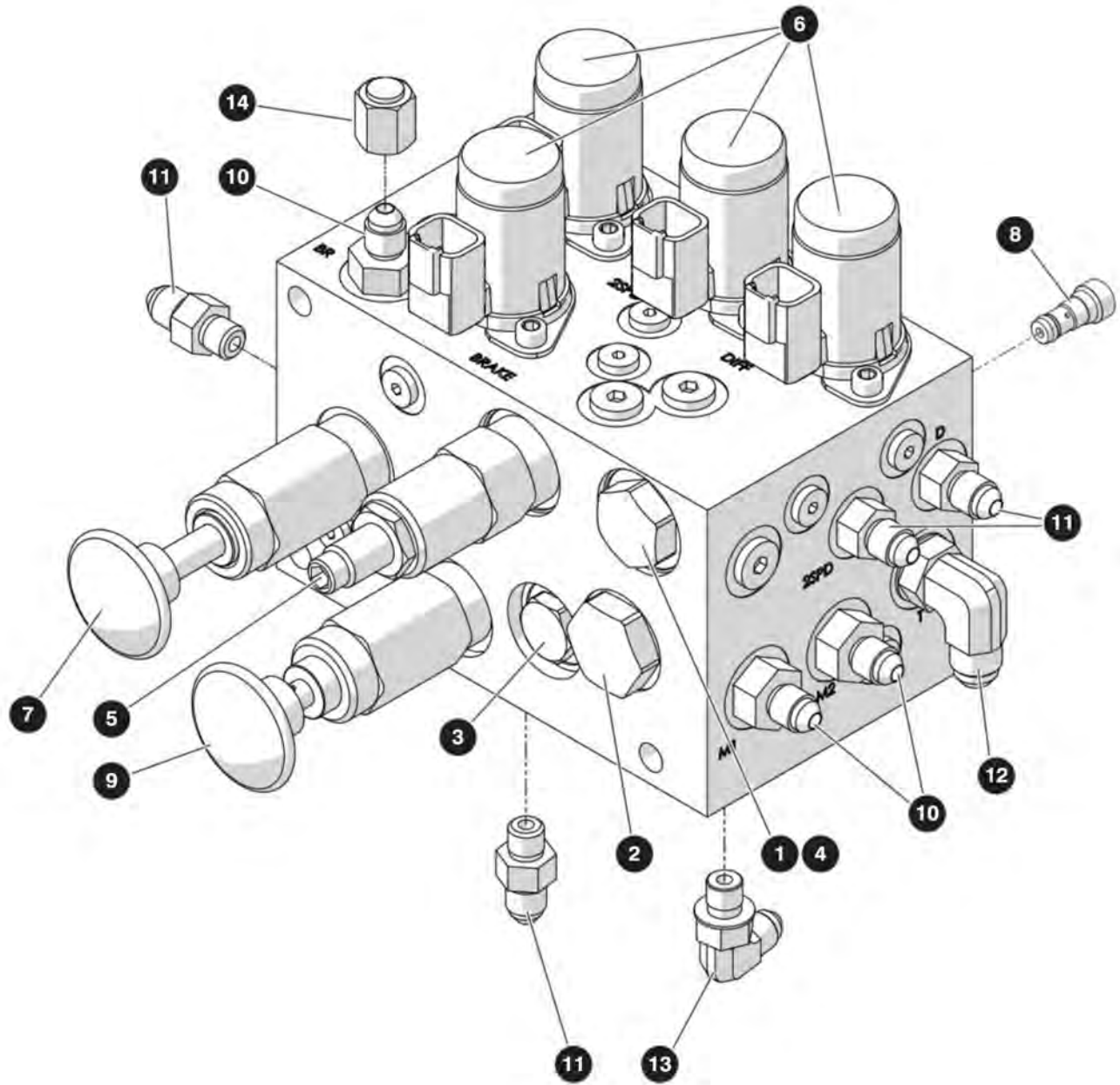
M218327AA-2

238271ACA

4.8 Main Manifold

Index No.	Skyjack Part No.	Qty.	Description
<i>The parts list is continued from the previous page.</i>			
24	166067	5	• VALVE, Check
25	166062	1	• COMPENSATOR, Pressure
26	166059	1	• COMPENSATOR, Pressure
27	238568	1	• VALVE, Relief - 1750 psi
28	238569	1	• VALVE, Relief - 2750 psi
29	706812	1	• FITTING, Straight (08 JICF - 04 JICM)
30	128869	2	• FITTING, Straight (06 JICM - 06 ORBM)
31	701478	1	• FITTING, Elbow 45° (06 JICM - 04 ORBM)
32	131716	1	• FITTING, Elbow 45° (04 JICM - 04 ORBM)
33	126128	10	• FITTING, Straight (04 JICM - 04 ORBM)
34	111392	1	• PLUG, Hex socket (12 ORBM)
35	131705	1	• FITTING, Straight (08 ORBM - 04 JICM)
36	702796	1	• PLUG, Hex socket (08 ORBM)
37	135061	1	• FITTING, Tee (08 JICM - 08 JICM - 08 ORBM)
38	702761	1	• FITTING, Elbow 90° (06 JICM - 06 JICFSW)

4.9 Brake Manifold



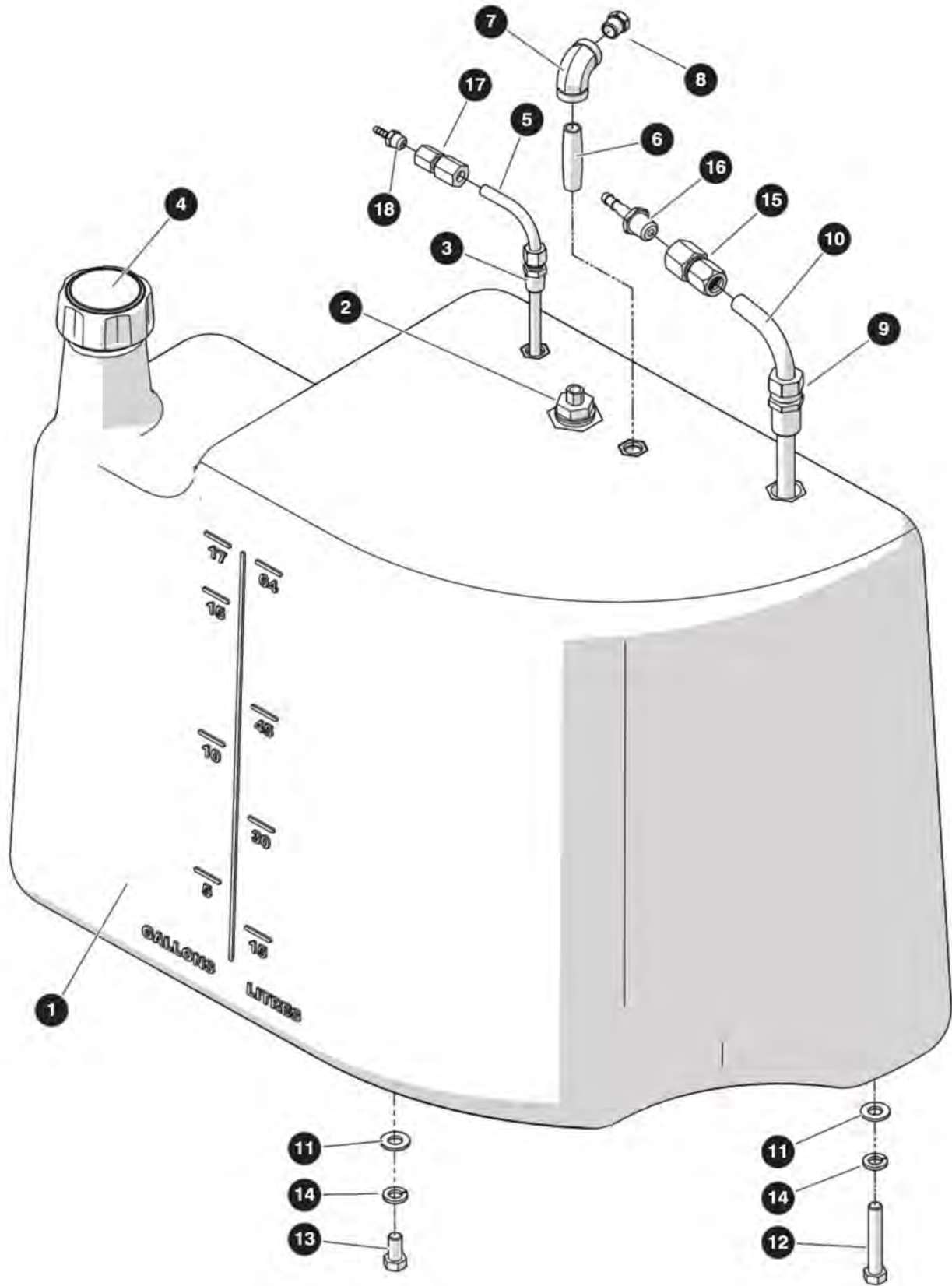
M195803AC

238271ACA

4.9 Brake Manifold

Index No.	Skyjack Part No.	Qty.	Description
-	195803	1	BRAKE MANIFOLD
-	168642	1	• MANIFOLD, Brake
1	171413	1	• • VALVE, Check
2	166053	1	• • VALVE, Shuttle
3	166054	1	• • VALVE, Shuttle
4	171420	1	• • ORIFICE, Disc (0.073")
5	168754	1	• • VALVE, Pressure reducer
6	159827	4	• • VALVE, Solenoid
7	159831	1	• • PUMP, Hand
8	141414	1	• • VALVE, Shuttle
9	141436	1	• • VALVE, Brake release override
10	701956	3	• FITTING, Straight (04 JICM - 06 ORBM)
11	126128	4	• FITTING, Straight (04 JICM - 04 ORBM)
12	114578	1	• FITTING, 90° elbow (06 JICM - 06 ORBM)
13	125883	1	• FITTING, 90° elbow (04 JICM - 04 ORBM)
14	131286	1	• FITTING, Cap (04 JICF)

4.10 Fuel Tank - Kubota D1305



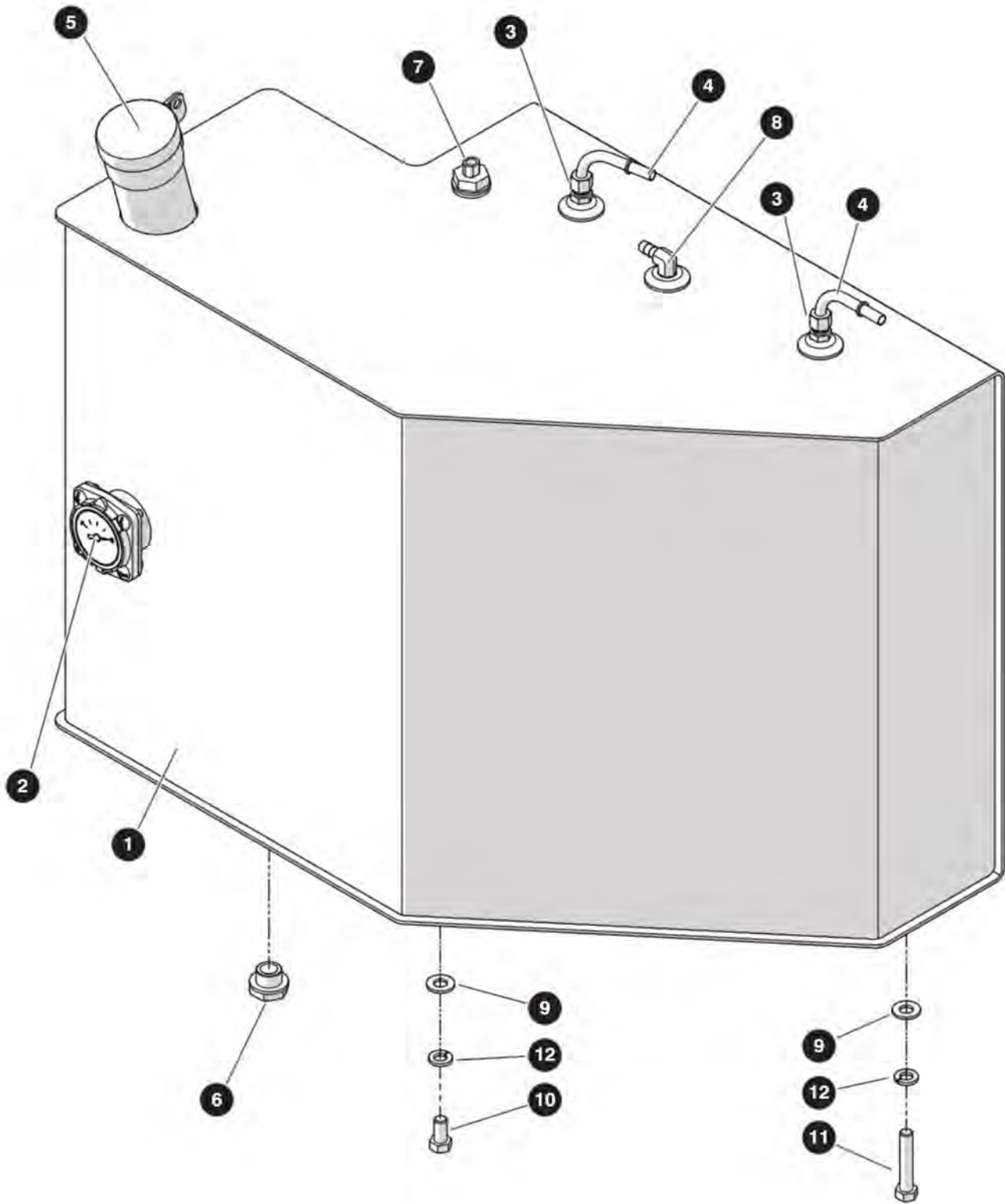
M238514AB

238271ACA

4.10 Fuel Tank - Kubota D1305

Index No.	Skyjack Part No.	Qty.	Description
-	238514	1	FUEL TANK
-	210465	1	• FUEL TANK, Diesel
1	210466	1	• • TANK, Fuel - diesel
2	103155	1	• • FITTING, Brass tank (#T68-5B)
3	138491	1	• • TUBE, Fuel send/return
4	144410	1	• • CAP, Fuel (Non EPA)
5	138230	1	• • SWITCH, Fuel level
6	116408	1	• • BREATHER VENT (1/4" NPT)
7	143478	1	• • FITTING, Brass nipple (1/4" NPT x 2" lg)
8	144325	1	• • FITTING, Brass 90° (1/4" NPTF x 1/4" NPTF)
9	164674	1	• • FITTING, Compression tube (1/2" OD x 1/2" NPT)
10	164673	1	• • TUBE, Fuel suction
11	125959	4	• WASHER, Flat hardened (3/8")
12	103872	2	• BOLT, Hex head (3/8"-16 x 2-1/4", gr 5)
13	101632	2	• BOLT, Hex head (3/8"-16 x 3/4", gr 5)
14	103999	4	• WASHER, Lock (3/8")
15	165716	1	• FITTING, Straight (08BT-06FP)
16	165719	1	• FITTING, Hose barb - beaded (5/16" tube)
17	237600	1	• FITTING, Straight adapter (05BT-02FP)
18	237603	1	• FITTING, Hose barb (1/8" line)

4.11 Fuel Tank - Kubota WG972



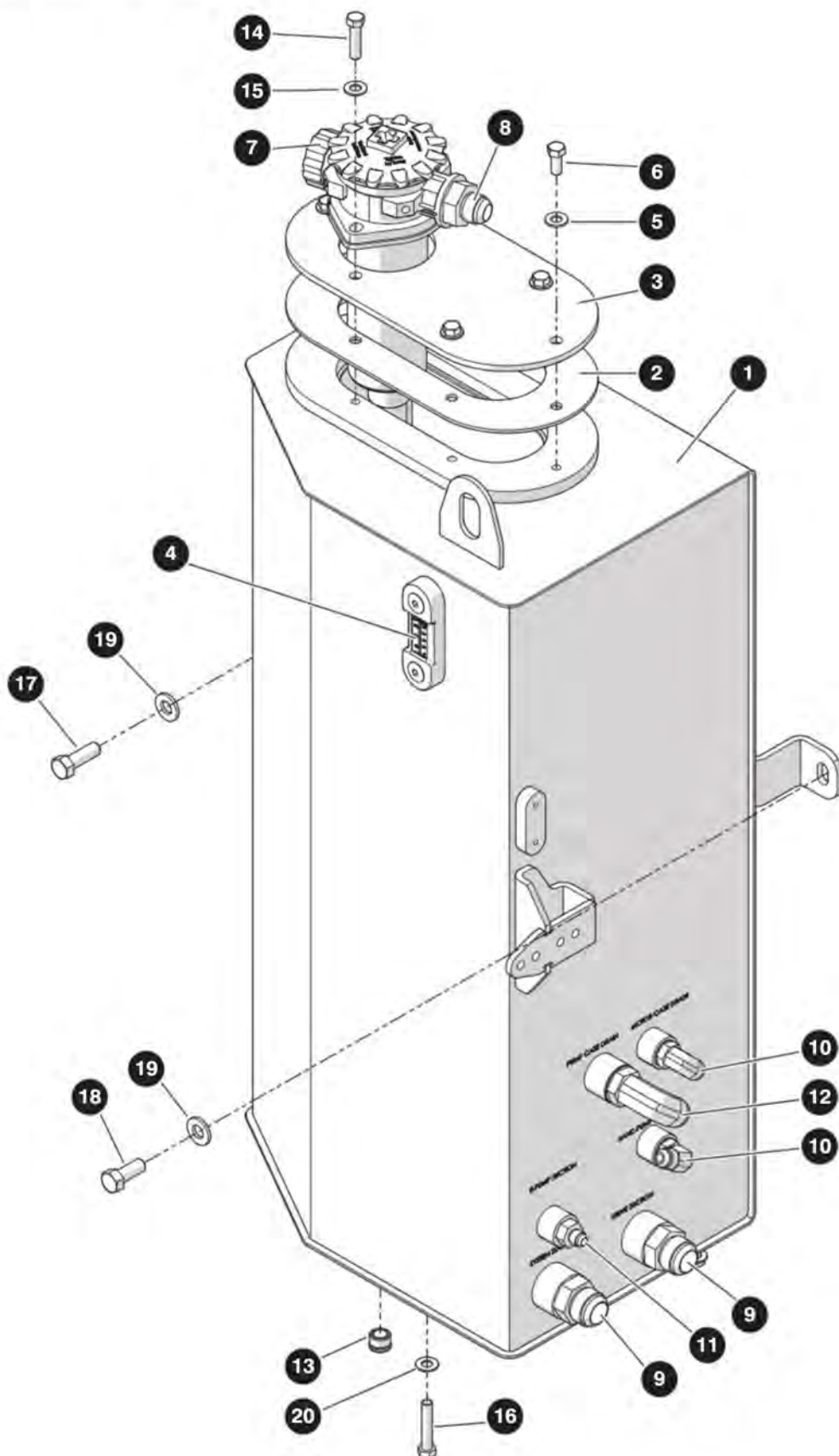
M238722AB

238271ACA

4.11 Fuel Tank - Kubota WG972

Index No.	Skyjack Part No.	Qty.	Description
-	238722	1	FUEL TANK - Kubota WG972
-	238727	1	• FUEL TANK, Gasoline
1	238728	1	• • TANK, Fuel
2	144393	4	• • GAUGE, Fuel level
3	103155	1	• • FITTING, Brass tank (#T68-5B)
4	144338	2	• • TUBE, Gas send/return
5	238744	1	• • CAP, Filler - non-vented
6	117701	1	• • PLUG, Tank - magnetic (3/4" UNF)
7	138230	1	• • SWITCH, Fuel level
8	102907	1	• • FITTING, Brass - 90° (5/16" hose 1/4" NPT)
9	125959	4	• WASHER, Flat hardened (3/8")
10	101632	2	• BOLT, Hex head (3/8"-16 x 3/4", gr 5)
11	103596	2	• BOLT, Hex head (3/8"-16 x 2", gr 5)
12	103999	4	• WASHER, Lock (3/8")

4.12 Hydraulic Tank



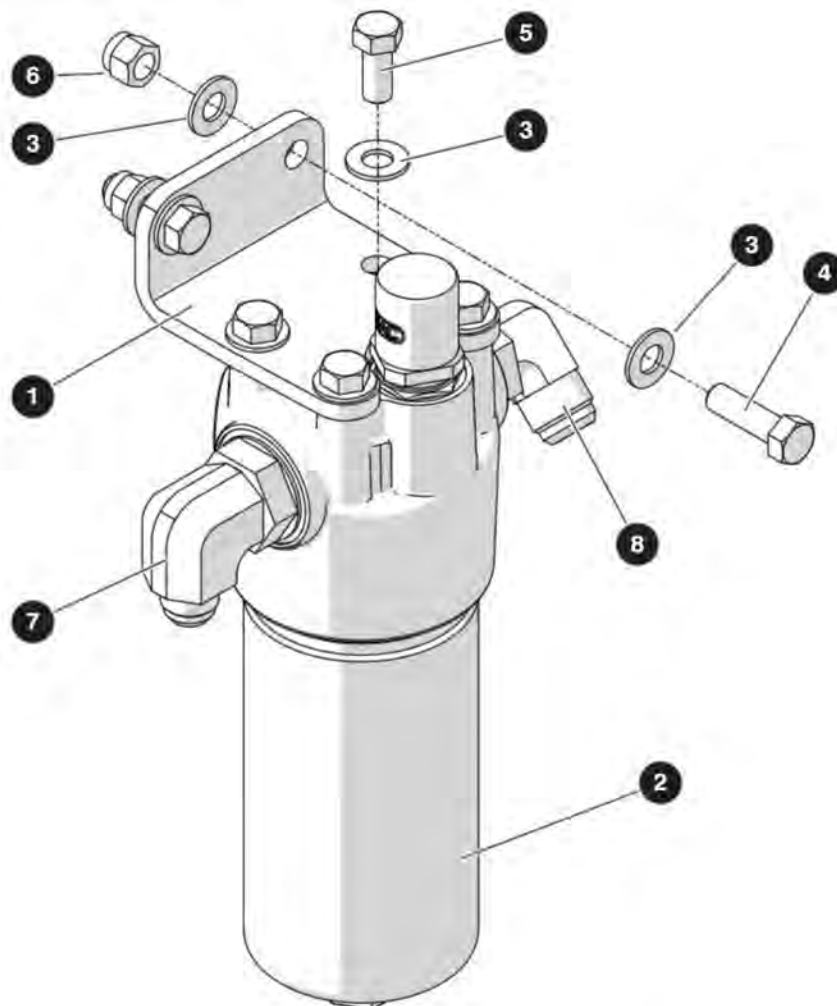
M162287AG

238271ACA

4.12 Hydraulic Tank

Index No.	Skyjack Part No.	Qty.	Description
-	162287	1	HYDRAULIC TANK
-	209553	1	• HYDRAULIC TANK ASSEMBLY with fittings
-	162322	1	• • HYDRAULIC TANK ASSEMBLY
1	162323	1	• • • TANK WELDMENT, Hydraulic
2	152393	1	• • • GASKET, Hydraulic tank
3	152392	1	• • • COVER, Hydraulic tank
4	103236	1	• • • INDICATOR, Level
5	103472	4	• • • WASHER, Flat hardened (3/8")
6	300437	4	• • • BOLT, Hex head (3/8"-16 x 0.875" Grade 5)
7	161934	1	• • FILTER ASSEMBLY, Return
	161949	1	• • • ELEMENT, Return filter
	168869	1	• • • ELEMENT, Breather
	168870	1	• • • LID, Return filter
	168871	1	• • • CAP, Air element
8	702122	1	• • FITTING, Straight (12 JICM - 16 ORBM)
9	138667	2	• • FITTING, Straight (16 JICM - 16 ORBM)
10	114583	2	• • FITTING, Elbow 90° (08 JICM - 08 ORBM)
11	103070	1	• • FITTING, Straight (06 JICM - 08 ORBM)
12	139207	1	• • FITTING, Elbow 90° long (12 JICM - 12 ORBM)
13	143980	1	• • FITTING, Plug - magnetic (08 ORBM)
14	103870	2	• • BOLT, Hex head (3/8"-16 x 1 1/2" Grade 5)
15	103472	2	• • WASHER, Flat (3/8")
16	103596	2	• BOLT, Hex head (3/8"-16 x 2" Grade 5)
17	103907	1	• BOLT, Hex head (1/2"-13 x 1-1/2" Grade 8)
18	103909	1	• BOLT, Hex head (1/2"-13 x 1-1/4" Grade 8)
19	104379	2	• WASHER, Flat (1/2" hard)
20	103472	2	• WASHER, Flat (3/8")

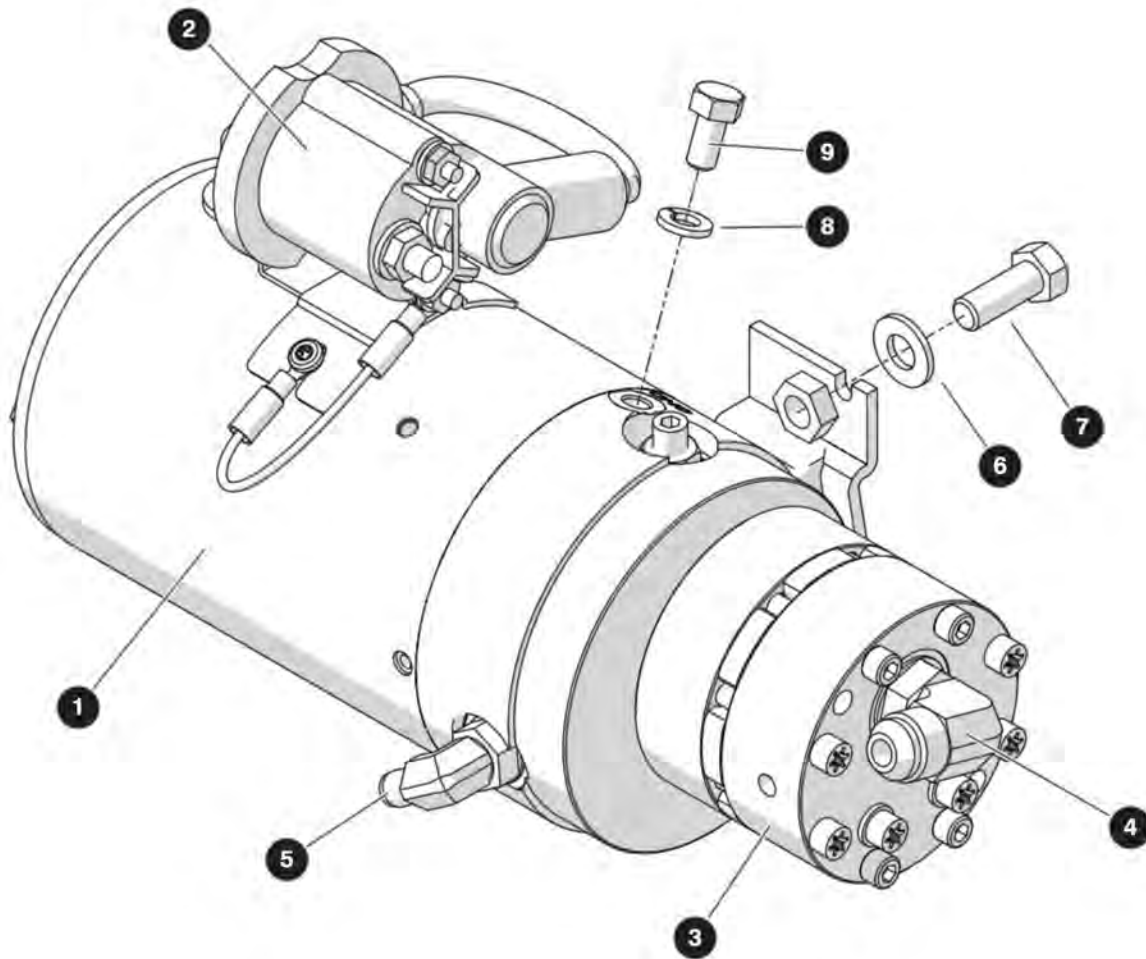
4.13 High Pressure Filter



M238431AA

Index No.	Skyjack Part No.	Qty.	Description
-	238431	1	HIGH PRESSURE FILTER ASSEMBLY
1	162327	1	• BRACKET, High pressure filter
2	161932	1	• FILTER ASSEMBLY, High pressure
	161947	1	• • ELEMENT, High pressure filter
	169246	1	• • PLUG, Indicator with seals
	204202	1	• • O-RING
	204203	1	• • O-RING, Backup
3	103472	8	• WASHER, Flat (3/8")
4	101297	2	• BOLT, Hex head (3/8"-16 x 1.25" Grade 5)
5	300437	4	• BOLT, Hex head (3/8"-16 x 0.875" Grade 5)
6	104606	2	• NUT, Hex head nylon lock (3/8"-16 Grade 5)
7	112366	1	FITTING, Elbow 90° (08 JICM - 12 ORBM) <i>(no oil cooler option)</i>
8	138981	1	FITTING, Elbow 90° (10 JICM - 12 ORBM) <i>(no oil cooler option)</i>

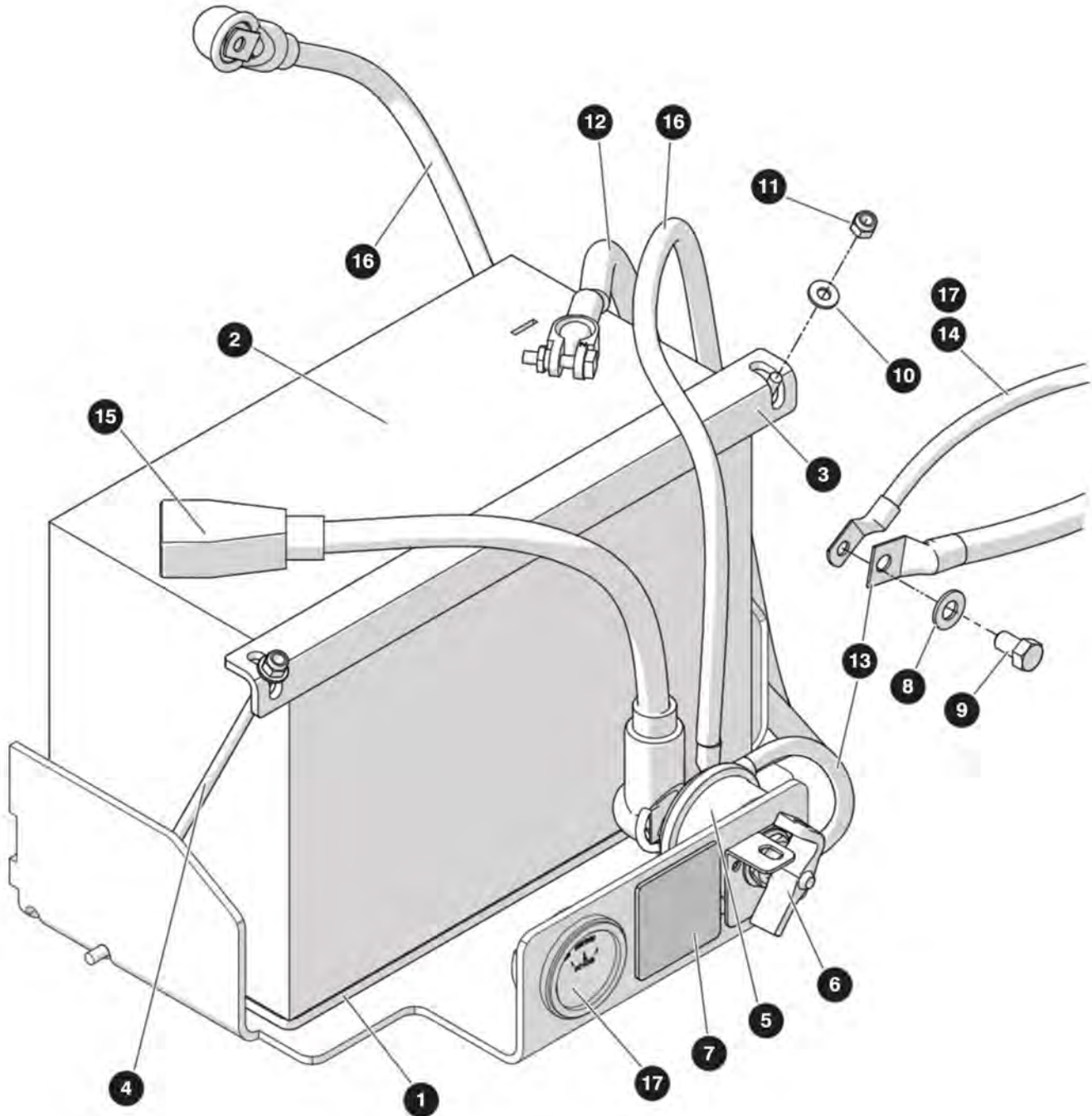
4.14 Auxiliary Pump



M167489AD

Index No.	Skyjack Part No.	Qty.	Description
-	167489	1	AUXILIARY PUMP
-	220506	1	• AUXILIARY PUMP WITH FITTINGS
-	160923	1	• • PUMP, Auxiliary
1	168897	1	• • • MOTOR
2	168898	1	• • • CONTACTOR
3	169244	1	• • • PUMP
	239419	1	• • • VALVE, Relief - 1001 psi
4	114583	1	• • FITTING, Elbow, 90° (08 ORBM - 08 JICM)
5	129127	1	• • FITTING, Elbow, 90° (04 JICM - 06 ORBM)
6	125959	2	• WASHER, Flat hardened (0.375")
7	103473	2	• BOLT, Hex head (0.375"-16 x 1.00" Grade 5)
8	103404	1	• WASHER, Lock (0.312")
9	148331	1	• BOLT, Hex head (0.312"-18 x 0.625" Grade 5)

4.15 Battery



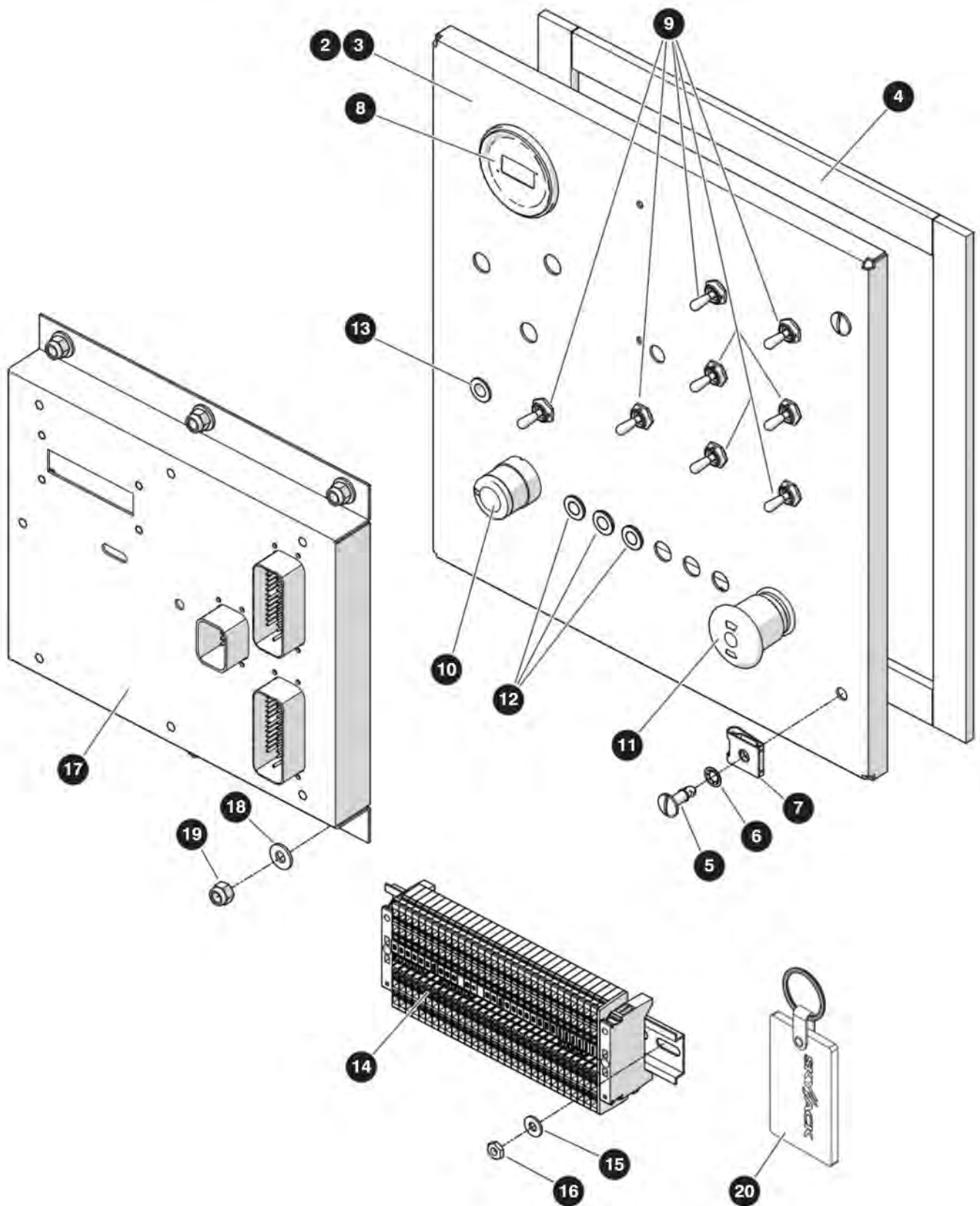
M238395AB

238271ACA

4.15 Battery

Index No.	Skyjack Part No.	Qty.	Description
-	238395	1	BATTERY ASSEMBLY
1	157464	1	• PAD, Battery
2	144676	1	• BATTERY (12V, 950 CCA)
3	150959	1	• BRACKET, Battery retainer
4	128572	1	• HOLD DOWN, Battery (pair)
5	119725	1	• SWITCH, Main lockout
6	108714	1	• MOUNT, Lock out switch
7	119674	1	• LABEL, Battery disconnect
8	103472	1	• WASHER, Flat (3/8")
9	138464	1	• BOLT, Hex head (3/8"-16 x 0.650" Grade 5)
10	103995	2	• WASHER, Flat (1/4")
11	115649	2	• NUT, Lock (1/4"-20 gr 5)
12	238430	1	• CABLE, Weld (#2/0 3/8" x 33 x 3/8") (00,00)
13	238393	1	• CABLE, Weld (1GA 3/8" x 102 x 5/16") (103,103)
14	238394	1	• CABLE, Weld (1GA 3/8" x 80 x 5/16") (00,00)
15	138700	1	• CABLE, Battery (post + to disc)
	139032	1	• • BOOT, Battery post - red
	139105	1	• • BOOT, Terminal - red
16	138704	1	• CABLE, Weld (1GA 5/16" x 86" x 5/16") (03,03)
	139106	1	• • BOOT, Terminal - red
17	239715	1	• BOLT, Hex head (M10 x 1.25 x 20, cl 8.8) (not shown)
-	170482	1	CHARGE INDICATOR ASSEMBLY
17	152323	1	• INDICATOR, Charge
18	152344	1	• WIRE ASSEMBLY, Charge indicator (00) (not shown)
19	152345	1	• WIRE ASSEMBLY, Charge indicator (03) (not shown)

4.16 Base Control Box



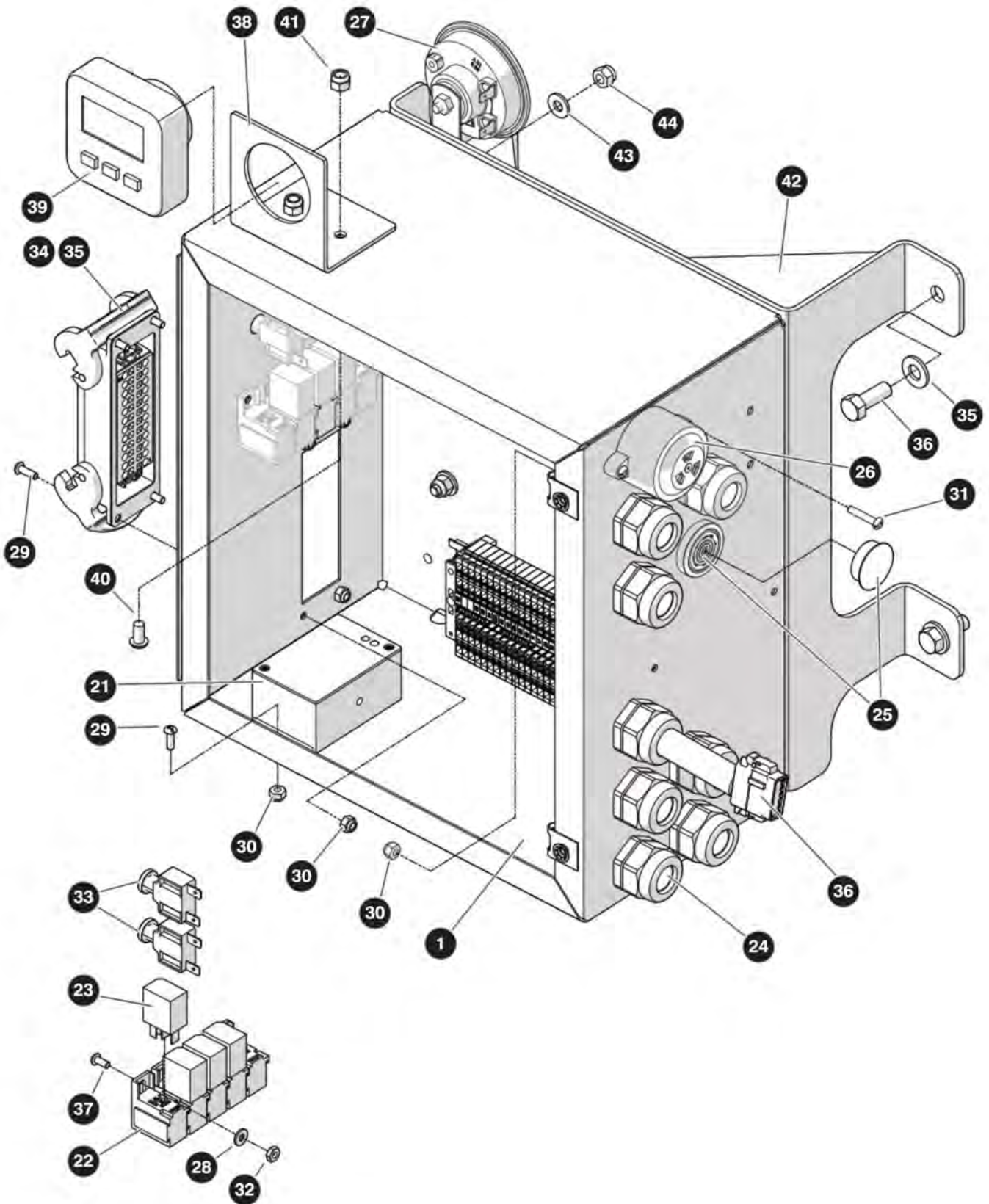
M238424AB-1

238271ACA

4.16 Base Control Box

Index No.	Skyjack Part No.	Qty.	Description
A	238012	1	BASE CONTROL BOX - ANSI/CSA & AS
B	238424	1	BASE CONTROL BOX - CE
-	238408	1	• CONTROL BOX
1	238407	1	• • BODY, Control box
2	218243	1	• • DOOR, Control box
3	149281	1	• • HINGE, Continuous
4	149282	1	• • WEATHER STRIP
5	149437	2	• • BOLT - 1/4 turn
6	149320	2	• • RETAINER - 1/4 turn
7	149321	2	• • RECEPTACLE - 1/4 turn
8	195940	1	• HOUR METER
9	102853	8	• SWITCH, Toggle
10	218354	1	• SWITCH, Key - ANSI/CSA & AS
	218920	1	• SWITCH, Key - CE
	147056	1	• • LATCH, Mounting
	149605	1	• • HEAD, Selector switch - keyed, A
	165829	1	• • HEAD, Selector switch - keyed, B
	104466	1	• • • KEY
	166141	1	• • BLOCK, Contact, NO (black plunger)
	166142	1	• • BLOCK, Contact, NO (yellow plunger)
	147053	1	• • BLOCK, NC Contact
11	144652	1	• SWITCH, Emergency stop
	147056	1	• • LATCH, Mounting
	147053	1	• • BLOCK, NC Contact
	147229	1	• • SWITCH, LED block
	147051	1	• • SWITCH HEAD, Emergency stop
12	213307	3	• LIGHT, LED amber - 12V
13	213308	1	• LIGHT, LED red - 12V
14	(Ref.)	1	• TERMINAL STRIP, Base (For components, refer to 4.17 Base Terminal Strip)
15	104694	2	• WASHER, Flat (#10)
16	104003	2	• NUT, Hex (10-32)
17	238028	1	• MODULE, Master
	218277	1	• • SERVICE TOOL
	218276	1	• • • HARNESS, SMB1 to peak
	218278	1	• • • ADAPTER, PCAN-USB
18	103995	6	• WASHER, Flat (1/4")
19	115649	6	• NUT, Hex lock (1/4"-20 Gr 5, nylon)
20	114710	1	KEYRING

4.16 Base Control Box



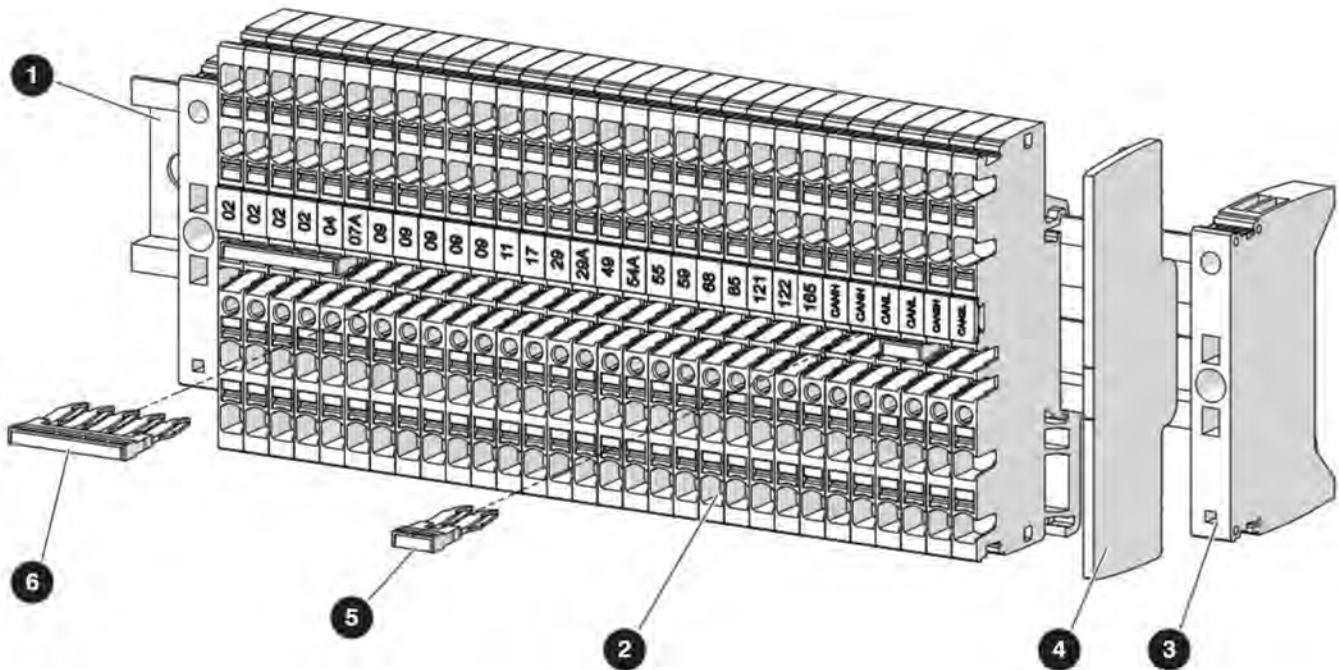
M238012AD-2

238271ACA

4.16 Base Control Box

Index No.	Skyjack Part No.	Qty.	Description
21	149426	1	• ANGLE TRANSDUCER - DUAL AXIS
22	218997	5	• SOCKET, Micro relay
23	931298	4	• RELAY
24	116266	8	• CONNECTOR, Liquid tight (Heyco)
25	144387	1	• ALARM, Continuous, A
	131938	1	• PLUG, Hole (1-1/8"), B
26	103056	1	• BEEPER (7.5 - 16 VDC)
27	146652	1	• HORN. (12V)
28	103991	2	• WASHER, Flat (#8)
29	103957	6	• SCREW, Round head machine (8-32 x 1/2")
30	138765	8	• NUT, Lock (8-32 Grade5, zinc-nylon)
31	126499	2	• SCREW, Round head machine (8-32 x 7/8")
32	103986	2	• NUT, Hex (8-32)
33	117325	2	• BREAKER, Circuit (15 AMP)
34	138751	1	• HOUSING - OPEN BOT. 24 POLE DBL. LEVER
35	138756	1	• SOCKET, 24 POLE SPRING 16A
36	221144	1	• HARNESS, Elevate telematics bypass
37	204325	2	• SCREW, Round head machine (8-32 x 3/8")
38	238420	1	• BRACKET, Engine display
39	166739	1	• DISPAY, Engine parameter
40	300060	2	• BOLT, Button head cap (1/4"-20 x 1/2")
41	115649	2	• NUT, Lock (1/4"-20, gr 5)
42	149056	1	BRACKET, Control box mount
43	103995	4	WASHER, Flat (1/4")
44	115649	4	NUT, Lock (1/4"-20, gr 5)
45	125959	3	WASHER, Flat (3/8")
46	103473	3	BOLT, Hex head (3/8"-16 x 1, gr 5)

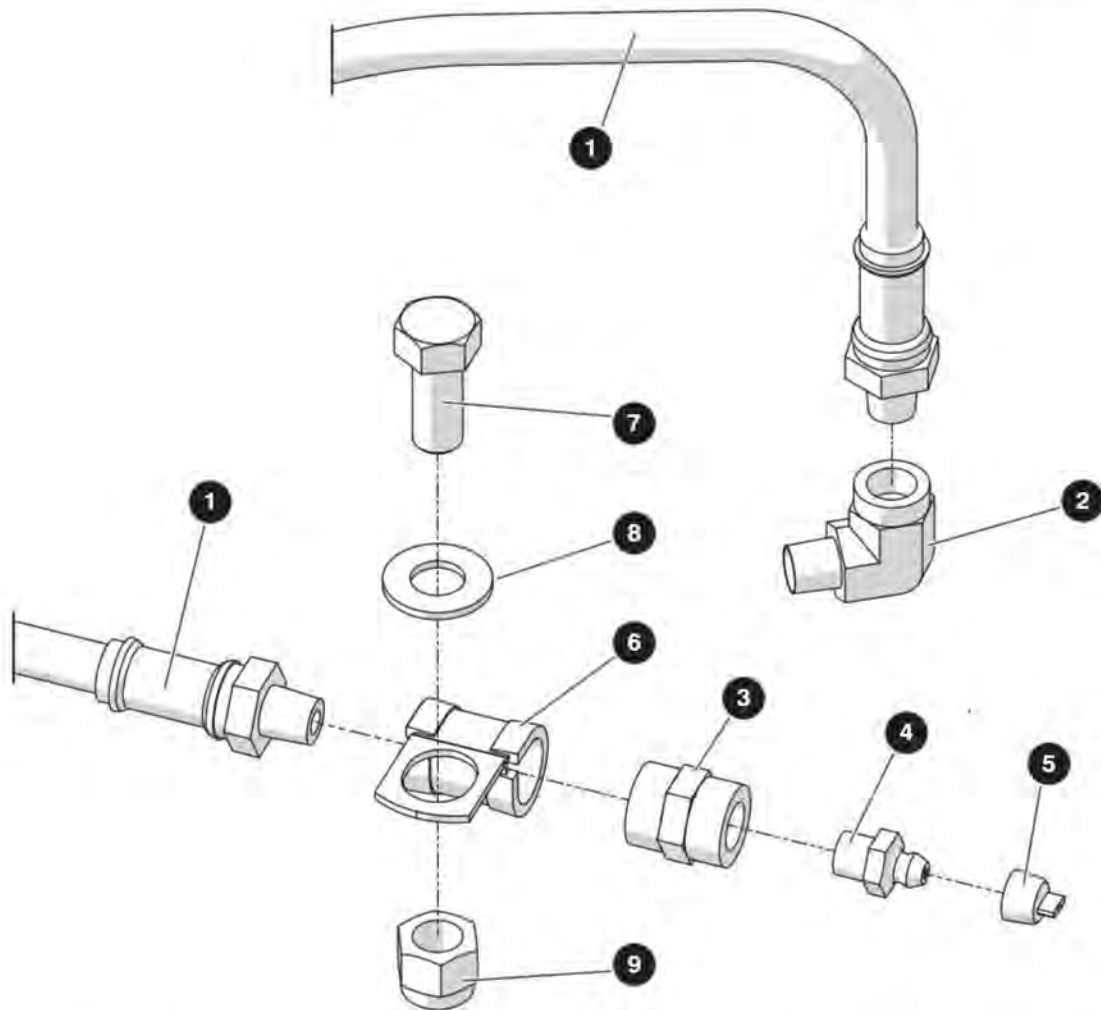
4.17 Base Terminal Strip



M218498AD

Index No.	Skyjack Part No.	Qty.	Description
-	238042	1	BASE TERMINAL STRIP
1	233337	224 mm	• RAIL
2	233338	31	• BLOCK, Terminal
3	233341	2	• PLATE, End
4	233342	1	• PLATE, Separator
5	233343	2	• JUMPER, 2-pin
6	233345	2	• JUMPER, 5-pin

4.18 Grease Line



M238421AA

Index No.	Skyjack Part No.	Qty.	Description
-	238421	1	GREASE LINE HOSE ASSEMBLY
1	238422	1	• LINE, Grease
2	139094	1	• FITTING, Elbow 90° (1/8 NPTM - 1/8 NPTF)
3	139095	1	• FITTING, Straight (1/8 NPTF - 1/8 NPTF)
4	102027	1	• FITTING, Straight grease (1/8 NPT)
5	132565	1	• CAP
6	144129	1	• CLIP, Single
7	300437	1	• BOLT, Hex head (3/8"-16 x 7/8", gr 5)
8	103472	1	• WASHER, Flat (3/8")
9	104606	1	• NUT, Hex lock (3/8"-16, gr 5 nylon)

Section 5 – Base

Hub Reduction - Front Axle - S/N A301 100 090 & above 5.3

Hub Reduction - Front Axle - S/N A301 100 089 & below 5.4

Differential - Front Axle 5.5

Central Housing - Front Axle 5.6

Steering Assembly 5.7

Trunnion 5.8

5.1 Base

5.9 Drive Shaft

5.15 Drive Motor

Axles 5.2

Tires 5.16

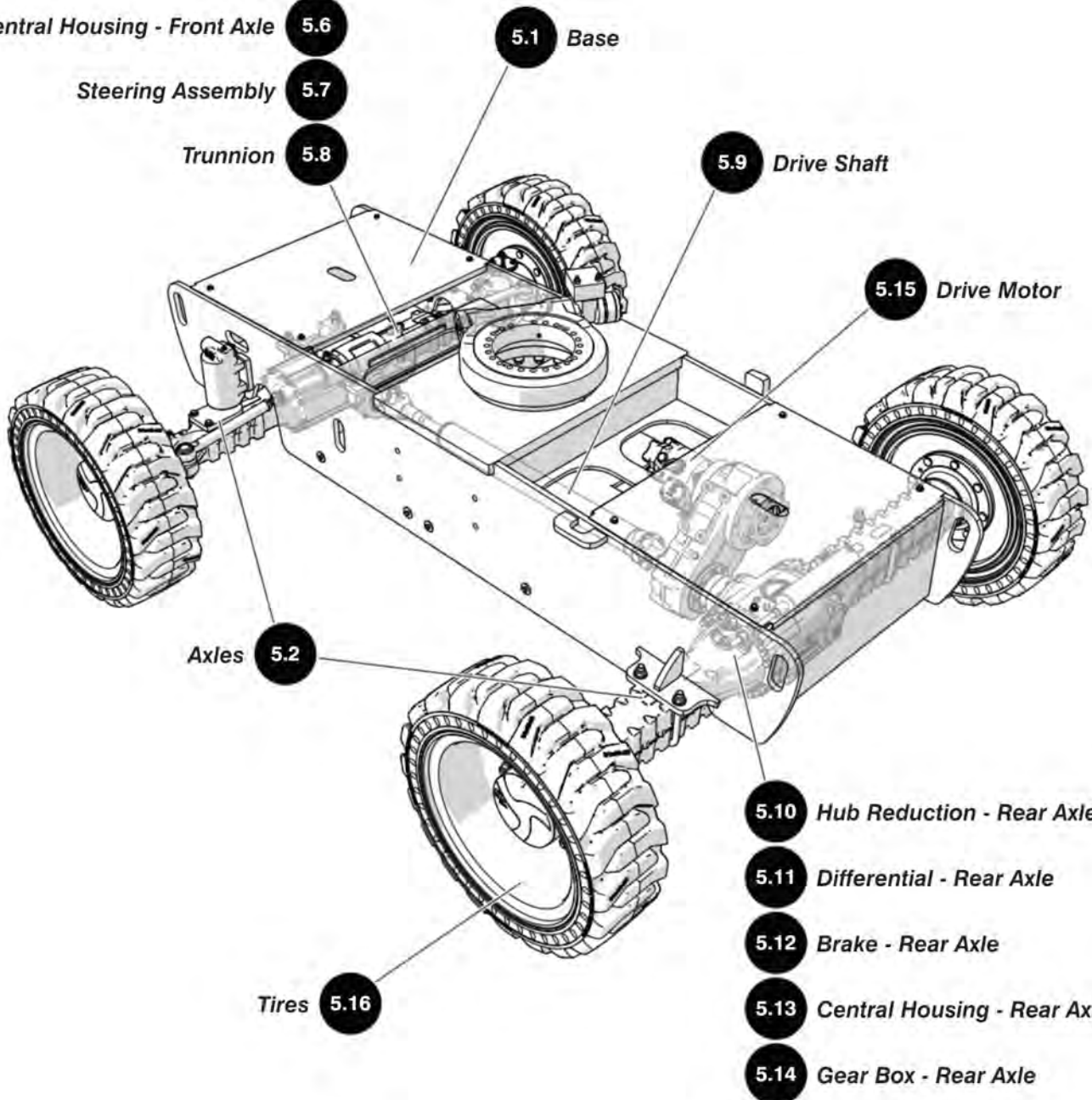
5.10 Hub Reduction - Rear Axle

5.11 Differential - Rear Axle

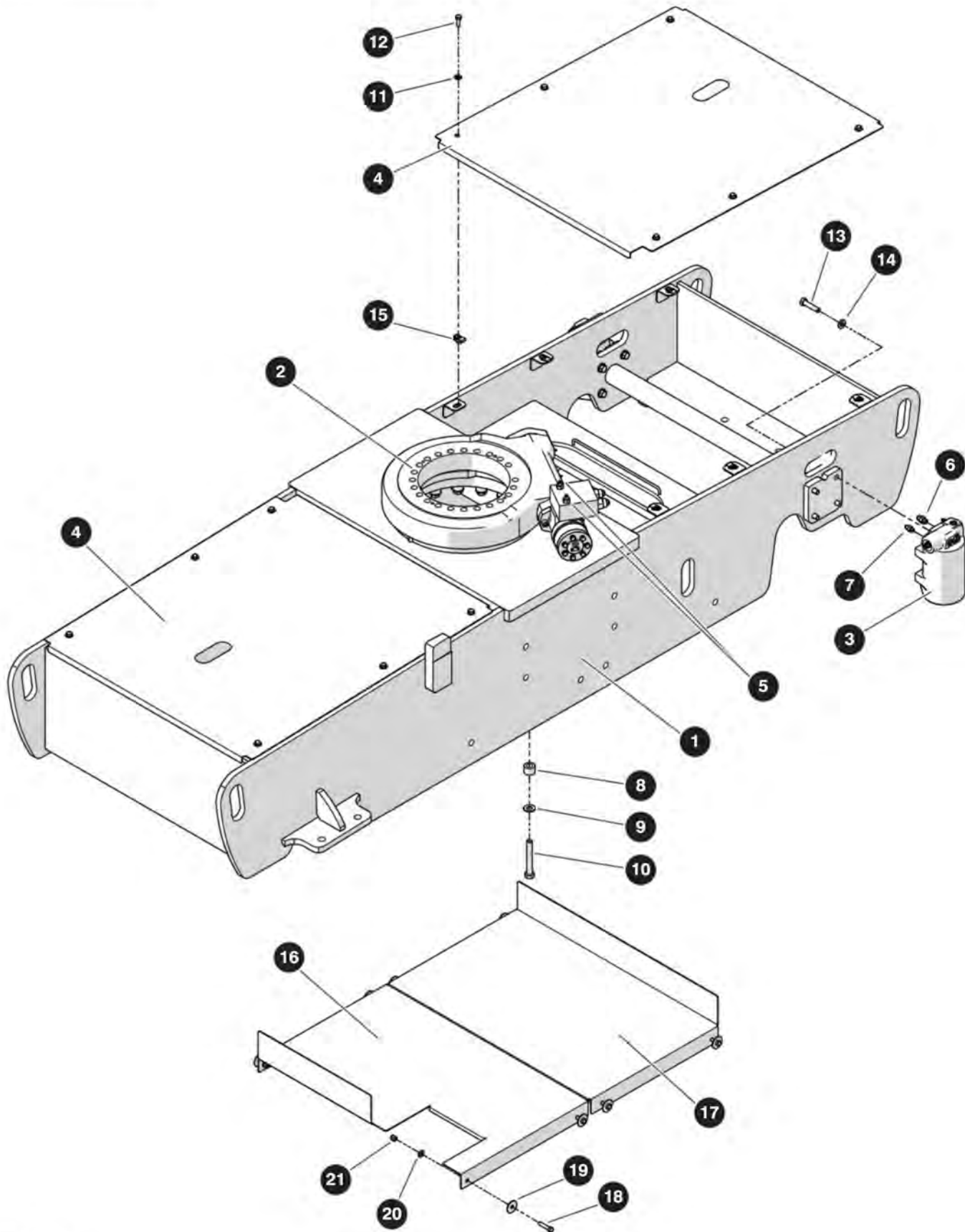
5.12 Brake - Rear Axle

5.13 Central Housing - Rear Axle

5.14 Gear Box - Rear Axle



5.1 Base



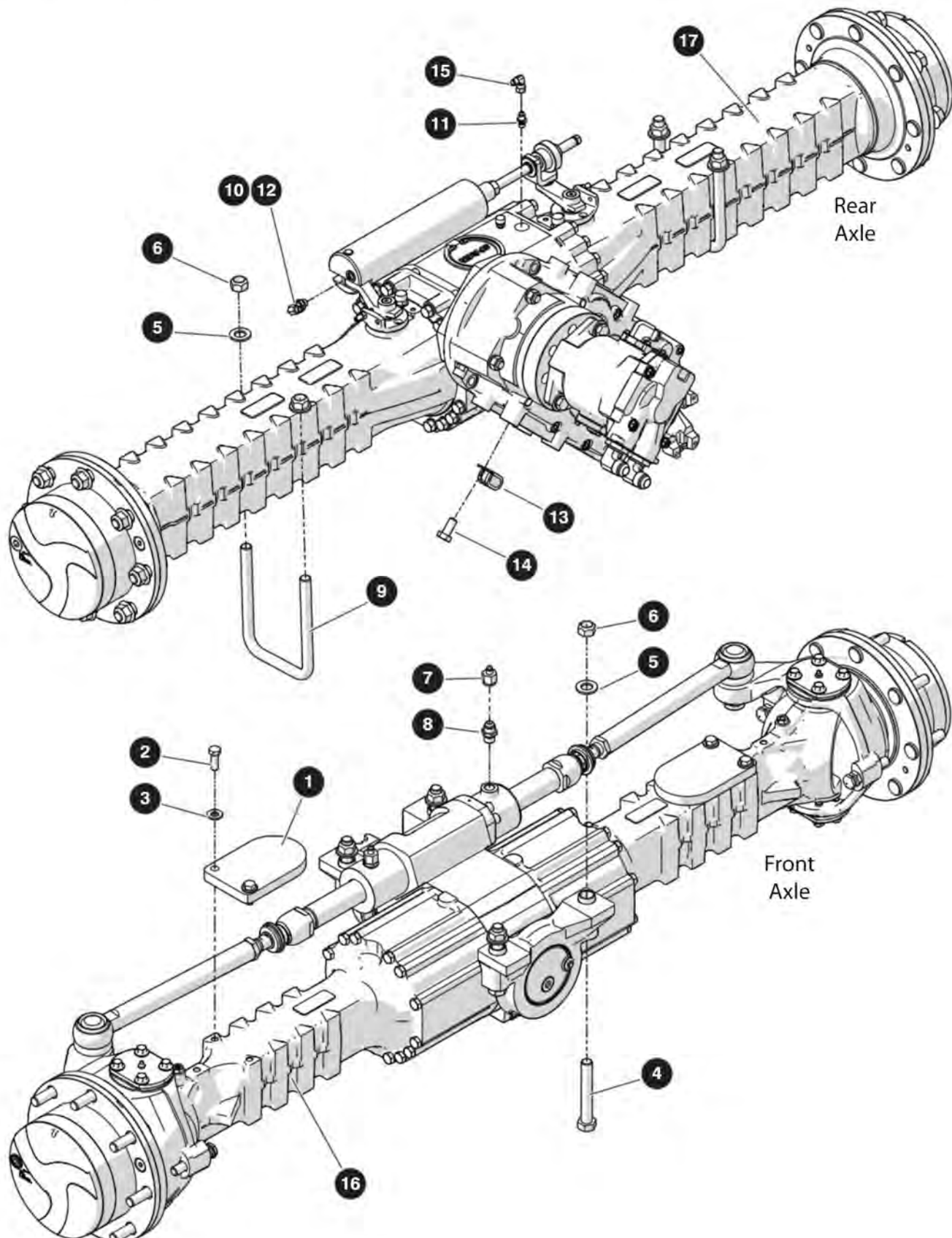
M231439AB

238271ACA

5.1 Base

Index No.	Skyjack Part No.	Qty.	Description
-	231439	1	CHASSIS
1	210405	1	• WELDMENT, Base
2	216673	1	• GEAR, Worm
	213546	1	• • MOTOR, Hydraulic - worm gear
	213545	1	• • SEAL KIT, Worm gear
	207357	1	• • SHIM KIT, Worm gear
3	(Ref.)	2	• AXLE LOCK CYLINDER ASSEMBLY (For components, refer to 3.8 Axle Lock Cylinder)
4	238372	2	• COVER, Chassis
5	701956	2	• FITTING, Straight (04 JICM - 08 ORBM)
6	103069	2	• FITTING, Straight (06 JICM - 06 ORBM)
7	126128	2	• FITTING, Straight (04 JICM - 04 ORBM)
8	149024	18	• SPACER
9	700782	18	• WASHER, Flat hardened (5/8")
10	701762	18	• BOLT, Hex head (5/8"-11 x 4.5", Grade 8)
11	103472	12	• WASHER, Flat (3/8")
12	103473	12	• BOLT, Hex head (3/8"-16 x 1.00", Grade 5)
13	207654	8	• BOLT, Hex head patch (1/2"-13 x 2.25", Grade 8)
14	104379	8	• WASHER, Flat hardened (1/2")
15	159294	8	• NUT, Speed clip (3/8"-16)
-	210408	1	HOSE TRAY
16	208638	1	• PLATE, Bottom rear
17	208639	1	• PLATE, Bottom front
18	208945	8	• BOLT, Hex head (0.375"-16 x 1.625 gr 5)
19	127067	8	• WASHER, Flat (0.375" BB)
20	103472	8	• WASHER, Flat (0.375")
21	104606	8	• NUT, Lock (0.375"-16 gr 5 nylon)

5.2 Axles



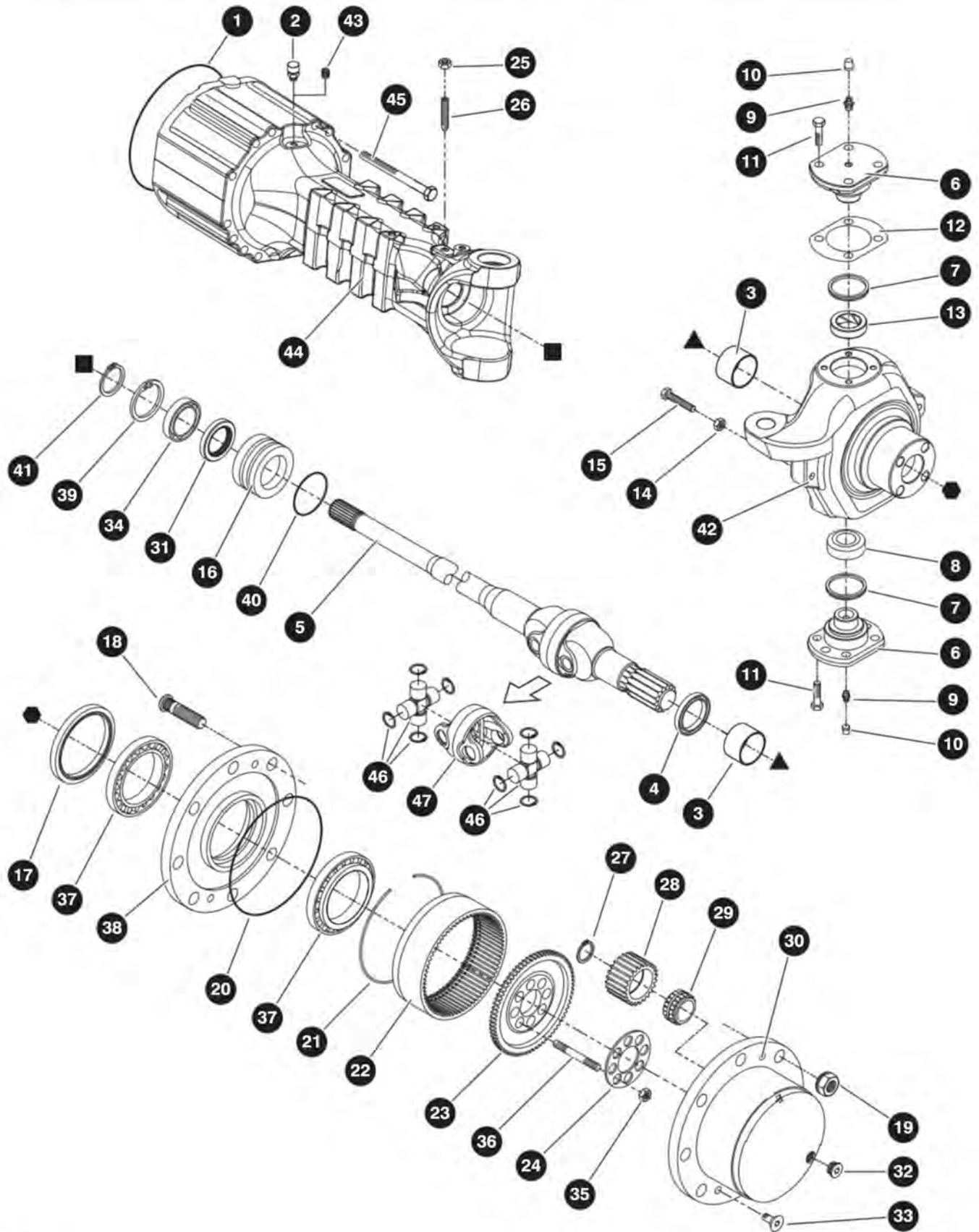
M211420AB_M231406AC

238271ACA

5.2 Axles

Index No.	Skyjack Part No.	Qty.	Description
1	231407	2	PLATE, Wear pad
2	149419	4	BOLT, Hex head (M12 x 1.75 x 25mm, Grade 8.8)
3	104379	4	WASHER, Flat hardened (1/2")
4	146773	4	BOLT, Hex head (3/4"-10 x 5", Grade 8)
5	702194	8	WASHER, Flat hardened (3/4")
6	700575	8	NUT, Torque lock (3/4"-10, Grade C)
7	152304	2	FITTING, Straight (08 JICM - M18 DIN 3852-1)
8	706812	2	FITTING, Straight (08 JICF - 04 JICM)
9	148866	2	U-BOLT, Axle mount
10	144128	1	FITTING, 90° (04 JICM - 04 BSPPM)
11	149181	1	FITTING, Straight (06 JICM - M14 ISO6149)
12	139126	1	SEAL, British bonded (04BSPPM)
13	152333	1	CLAMP, Tube (5/8" cus double 17/32 hole)
14	138734	1	BOLT, Hex head (M14 x 2 x 30 mm, grade 8.8)
15	702875	1	FITTING, Straight (04JICM-04JICFS)
16	218895	1	FRONT AXLE ASSEMBLY, serial number A301 100 090 and above
	148701 (Ref.)	1	FRONT AXLE ASSEMBLY, serial number A301 100 089 and below
		2	<ul style="list-style-type: none"> HUB REDUCTION - FRONT AXLE <p>(For components, refer to 5.3 Hub Reduction - Front Axle - S/N A301 100 090 & above) (For components, refer to 5.4 Hub Reduction - Front Axle - S/N A301 100 089 & below)</p>
	(Ref.)	2	<ul style="list-style-type: none"> DIFFERENTIAL - FRONT AXLE <p>(For components, refer to 5.5 Differential - Front Axle)</p>
	(Ref.)	1	<ul style="list-style-type: none"> CENTRAL HOUSING <p>(For components, refer to 5.6 Central Housing - Front Axle)</p>
	(Ref.)	1	<ul style="list-style-type: none"> STEERING ASSEMBLY <p>(For components, refer to 5.7 Steering Assembly)</p>
	(Ref.)	1	<ul style="list-style-type: none"> TRUNNION - FRONT AXLE <p>(For components, refer to 5.8 Trunnion)</p>
17	148916	1	REAR AXLE ASSEMBLY (with gear box)
	(Ref.)	2	<ul style="list-style-type: none"> HUB REDUCTION - REAR AXLE <p>(For components, refer to 5.10 Hub Reduction - Rear Axle)</p>
	(Ref.)	2	<ul style="list-style-type: none"> DIFFERENTIAL ASSEMBLY <p>(For components, refer to 5.11 Differential - Rear Axle)</p>
	(Ref.)	1	<ul style="list-style-type: none"> BRAKES - REAR AXLE <p>(For components, refer to 5.12 Brake - Rear Axle)</p>
	(Ref.)	1	<ul style="list-style-type: none"> CENTRAL HOUSING - REAR AXLE <p>(For components, refer to 5.13 Central Housing - Rear Axle)</p>

5.3 Hub Reduction - Front Axle - S/N A301 100 090 & above



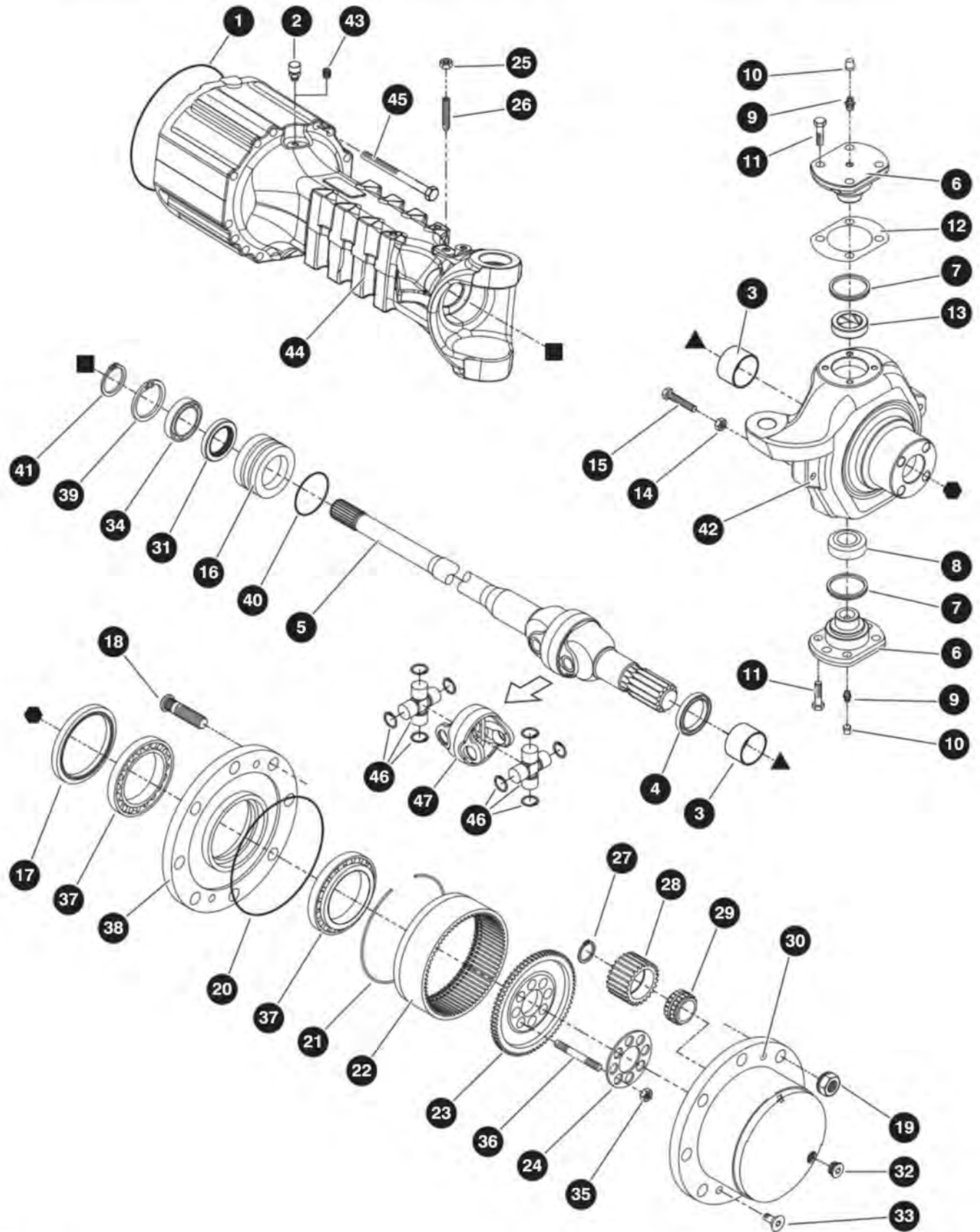
M218895AA-1

238271ACA

5.3 Hub Reduction - Front Axle - S/N A301 100 090 & above

Index No.	Skyjack Part No.	Qty.	Description
-	-	1	HUB REDUCTION - FRONT AXLE, <i>serial number A301 100 090 and above</i>
1	224356	2	O-RING
2	224357	1	PLUG
3	154624	2	BUSHING, Thrust
4	154625	4	SEAL
5	237780	2	JOINT
-	154628	2	KIT, Pivot pin
6	237781	2	• PIN, Pivot
7	224446	4	• SEAL
8	224365	2	• ARTICULATION
9	168273	4	FITTING, Grease
10	141006	4	PLUG
11	140993	20	BOLT
12	224363	2	KIT, Shim
13	151765	2	BUSHING
-	141017	4	BOLT KIT, Steering adjust
14	141015	4	• NUT
15	141016	4	• BOLT
16	224368	2	BUSHING, Reduction
17	224369	2	SEAL
18	154632	16	STUD, Wheel
19	141031	16	NUT
20	140970	2	O-RING
-	141042	2	SUPPORT KIT, Ring gear
21	141022	2	• CIRCLIP
22	141023	2	• RING GEAR
23	141024	2	• SUPPORT, Ring gear
24	141081	2	PLATE, Locking
25	224372	2	NUT
26	224373	2	BOLT
-	151767	2	CARRIER, Planet gear
27	141028	3	• CIRCLIP
-	216251	3	• KIT, Planet gear
28	216252	1	• • GEAR, Planet
29	216253	1	• • BEARING
30	141023	1	• CARRIER, Planet gear
31	224374	2	SEAL
32	140968	2	PLUG, Magnetic
33	141033	4	BOLT, Countersunk
34	224375	2	BEARING
35	196639	16	NUT
36	216255	16	STUD
37	141019	4	BEARING
38	243382	2	HUB, Wheel
39	224377	2	CIRCLIP
40	224378	2	O-RING

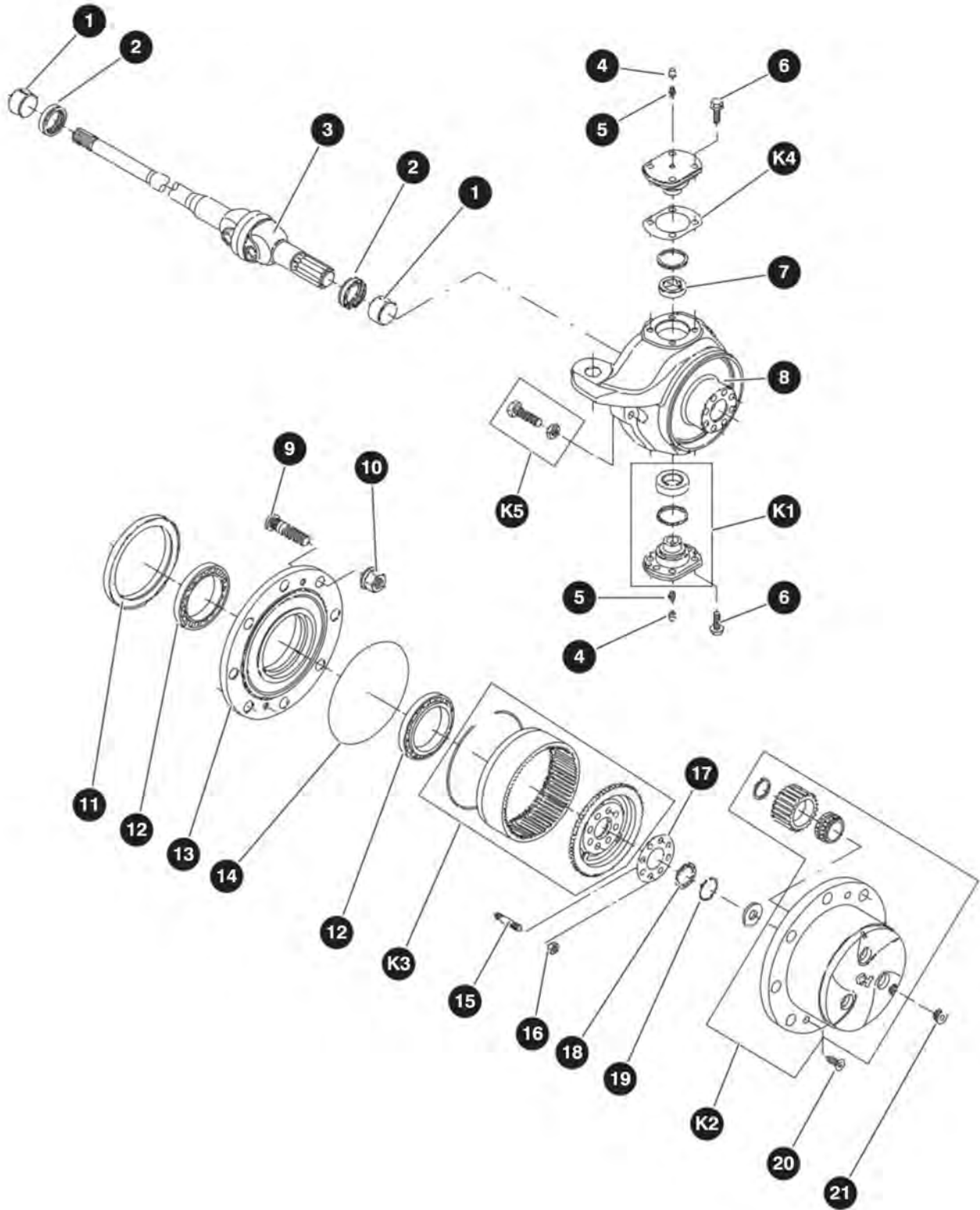
5.3 Hub Reduction - Front Axle - S/N A301 100 090 & above



M218895AA-1

238271ACA

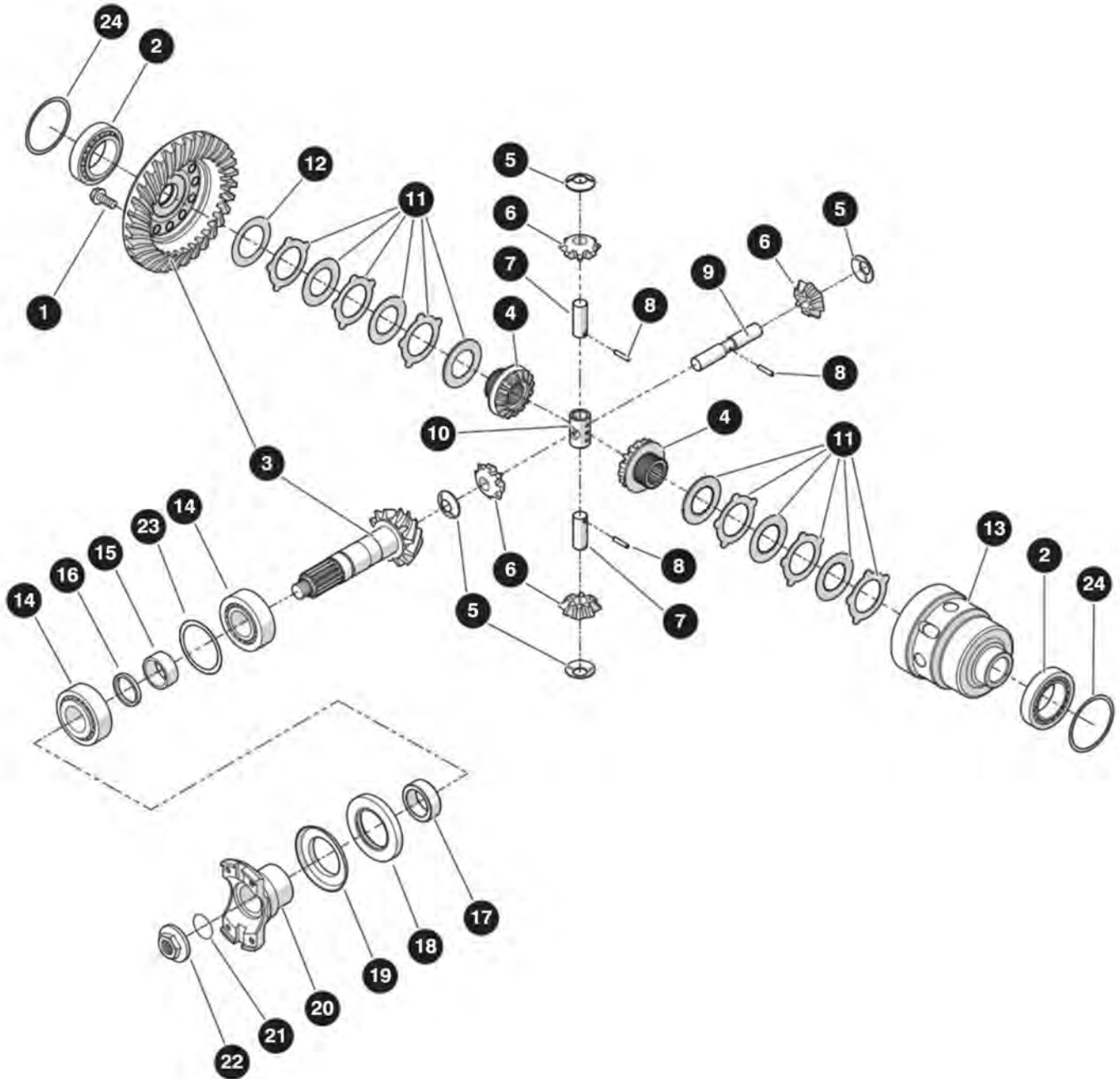
5.4 Hub Reduction - Front Axle - S/N A301 100 089 & below



5.4 Hub Reduction - Front Axle - S/N A301 100 089 & below

Index No.	Skyjack Part No.	Qty.	Description
-	-	1	HUB REDUCTION - FRONT AXLE, , <i>serial number A301 100 089 and below</i>
1	154624	2	• BUSHING, Thrust
2	154625	4	• SEAL
3	154626	2	• JOINT
4	141006	4	• PLUG
5	141014	4	• FITTING, Grease
6	140993	20	• BOLT
7	151765	2	• BUSHING
8	154630	1	• CASE, Steering - left
	154629	1	• CASE, Steering - right
9	154632	16	• STUD, Wheel
10	141168	16	• NUT
11	154631	2	• SEAL
12	154638	4	• BEARING
13	154639	2	• HUB, Wheel
14	140970	2	• O-RING
15	154637	16	• STUD
16	154636	16	• NUT
17	154634	2	• PLATE, Locking
18	154635	2	• SPACER
19	141036	2	• CIRCLIP
20	141033	4	• BOLT, Countersunk
21	140969	2	• PLUG
K1	154628	2	• KIT, Pivot pin
K2	141034	2	• KIT, Planet gear carrier
K3	154633	2	• KIT, Ring gear support
K4	154627	2	• KIT, Shim
K5	141017	4	• KIT, Steering adjust bolt

5.5 Differential - Front Axle



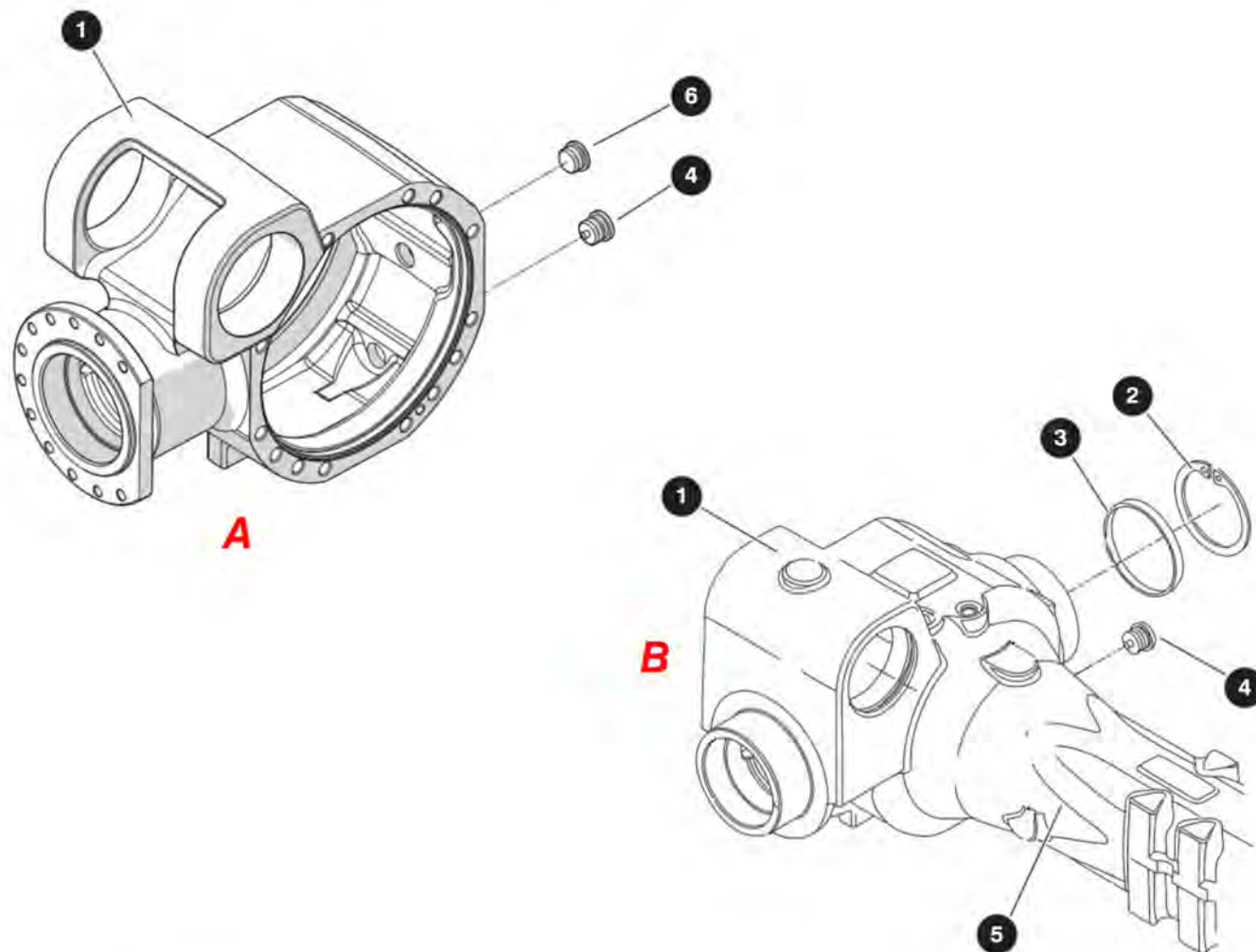
M218895AA-3

238271ACA

5.5 Differential - Front Axle

Index No.	Skyjack Part No.	Qty.	Description
A	-	1	Serial number A301 100 090 and above
B	-	1	Serial number A301 100 089 and below
1	154612	12	BOLT
2	154613	2	BEARING, Taper roller
3	154611	1	GEAR SET, Bevel
-	243381	1	DIFFERENTIAL KIT, A
4	154617	2	• DIFFERENTIAL SIDE GEAR
5	224348	4	• WASHER, Friction, A
	154619	4	• WASHER, Friction, B
6	154618	4	• DIFFERENTIAL PINION
7	154620	2	• PIN
8	154621	3	• DOWEL
9	154622	1	• PIN
10	154623	1	• SHAFT RETAINER
11	154616	2	• CLUTCH DISC KIT
12	224345	1	• WASHER, Friction
13	154614	1	DIFFERENTIAL CARRIER
14	224336	2	BEARING, A
	154604	2	BEARING, B
15	154605	1	SPACER
16	224339	1	RING, A
	154609	1	RING, B
17	224340	1	SPACER, A
	154608	1	SPACER, B
18	170792	1	SEAL, A
	140976	1	SEAL, B
19	154607	1	COVER PLATE
20	154603	1	FLANGE
21	154606	1	O-RING
22	141372	1	NUT
23	224338	1	KIT, Shim, A
	154610	1	KIT, Shim, B
24	224342	2	KIT, Shim, A
	154615	2	KIT, Shim, B

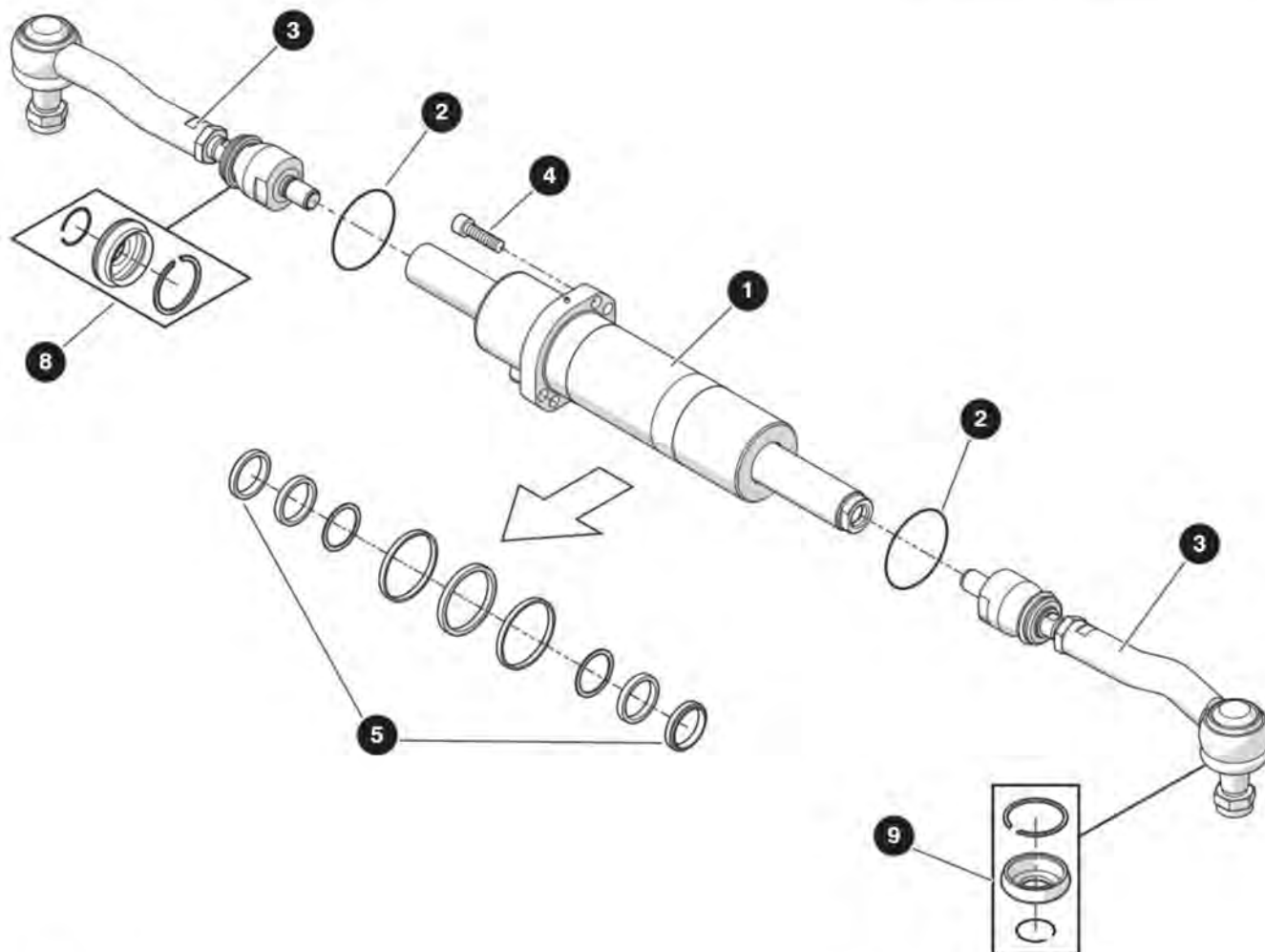
5.6 Central Housing - Front Axle



M148701AA_CH_1.M218895AA-2

Index No.	Skyjack Part No.	Qty.	Description
A	-	1	Serial number A301 100 090 and above
B	-	1	Serial number A301 100 089 and below
1	224334	1	CENTRAL HOUSING, A
	154599	1	CENTRAL HOUSING, B
2	140966	1	CIRCLIP, B
3	140967	1	SEAL, B
4	140698	1	PLUG, Magnetic, A
	154600	1	PLUG, Magnetic, B
5	154601	1	CASE, Axle, B
6	140967	1	PLUG, A

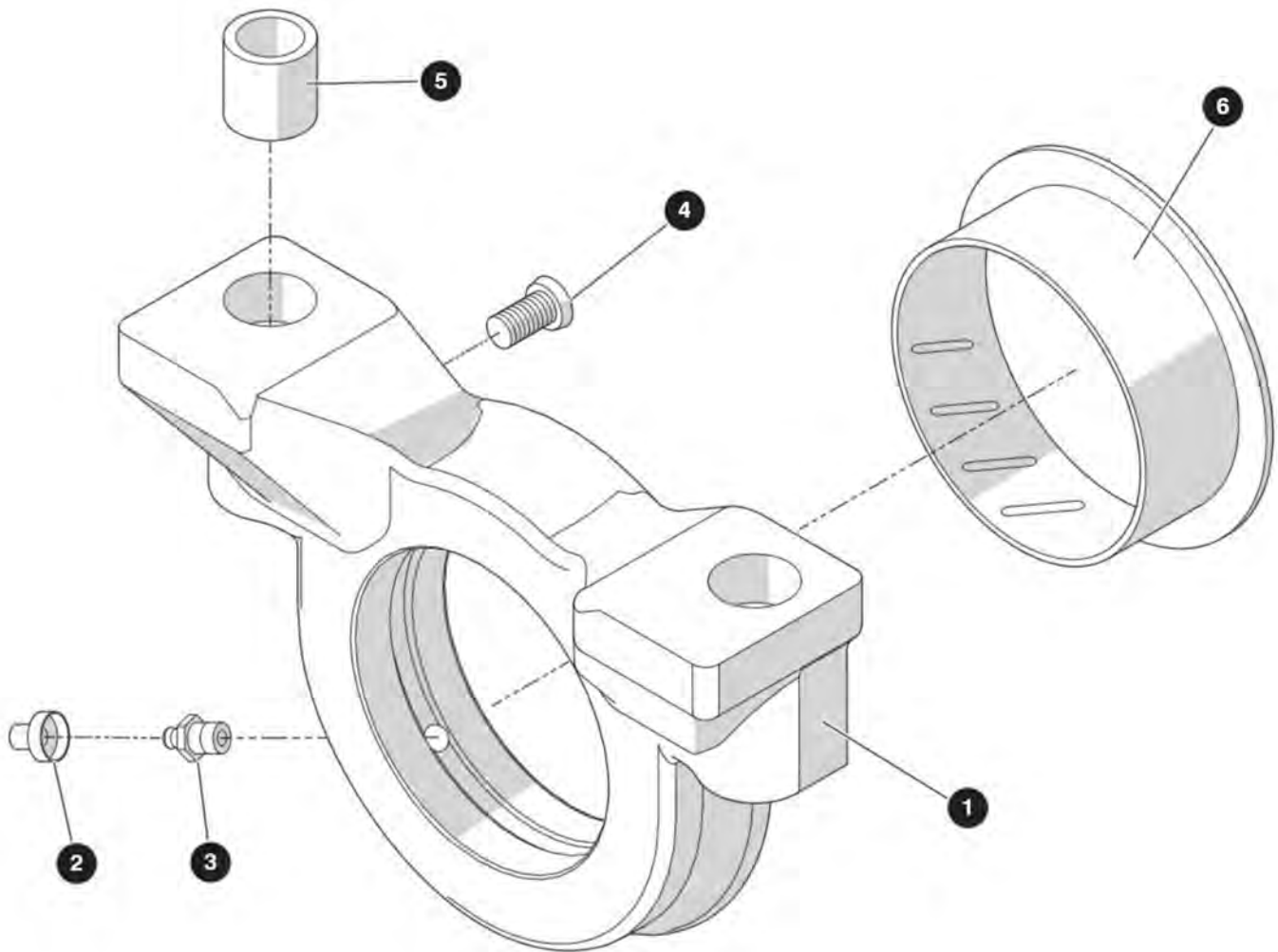
5.7 Steering Assembly



M21B895AA-4

Index No.	Skyjack Part No.	Qty.	Description
A	-	1	Serial number A301 100 090 and above
B	-	1	Serial number A301 100 089 and below
1	237787	1	CYLINDER, Steer, A
	154641	1	CYLINDER, Steer, B
2	154642	4	RING, B
3	154643	2	TIE ROD, Articulated
	237788	1	• JOINT, 90°
	224396	1	• JOINT, Axial
4	154644	4	BOLT
5	168050	1	SEAL KIT, Steer cylinder
8	224397	1	RUBBER BOOT AND LOCKING RING KIT
9	224398	1	RUBBER BOOT AND LOCKING RING KIT

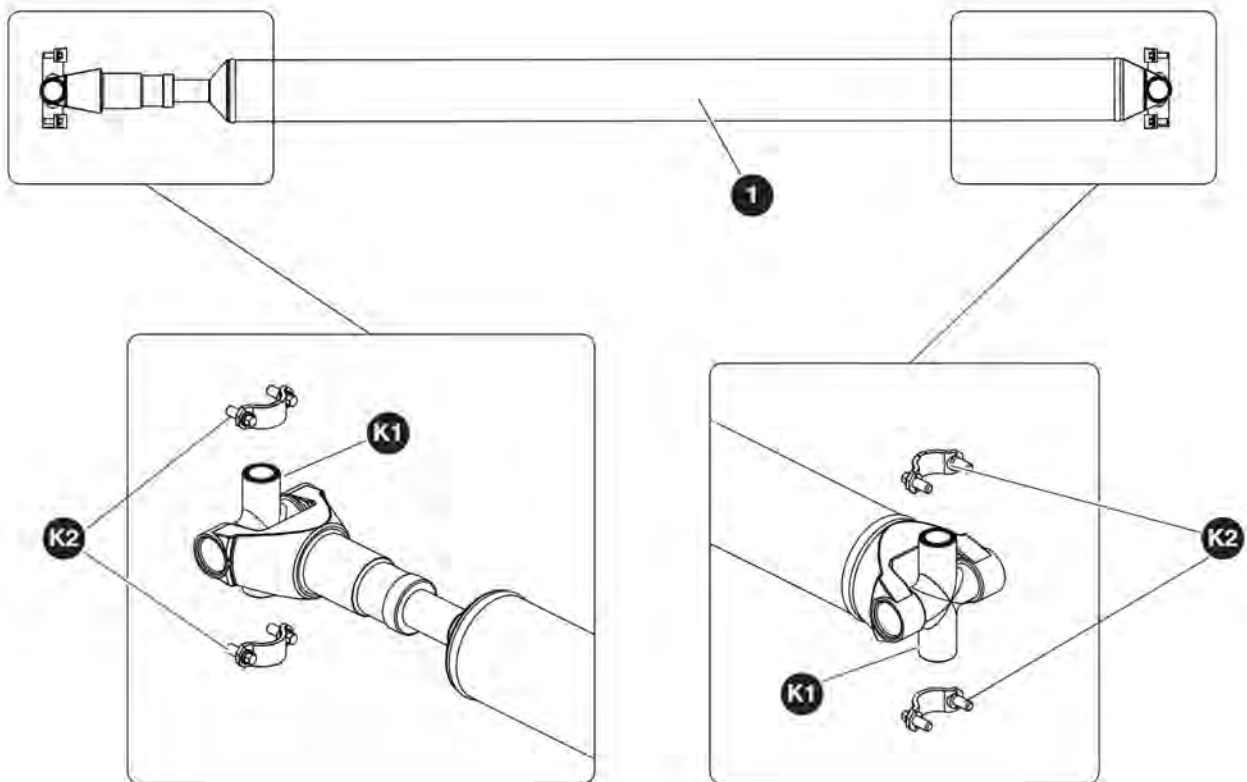
5.8 Trunnion



M218895AA-5

Index No.	Skyjack Part No.	Qty.	Description
1	154647	1	SUPPORT
	154646	1	SUPPORT. Rear, <i>serial number A301 100 089 and below</i>
2	141006	1	CAP
3	141014	1	FITTING, Grease
4	168305	1	BOLT
5	141048	2	BUSHING, Reduction
6	154645	1	BUSHING, Thrust

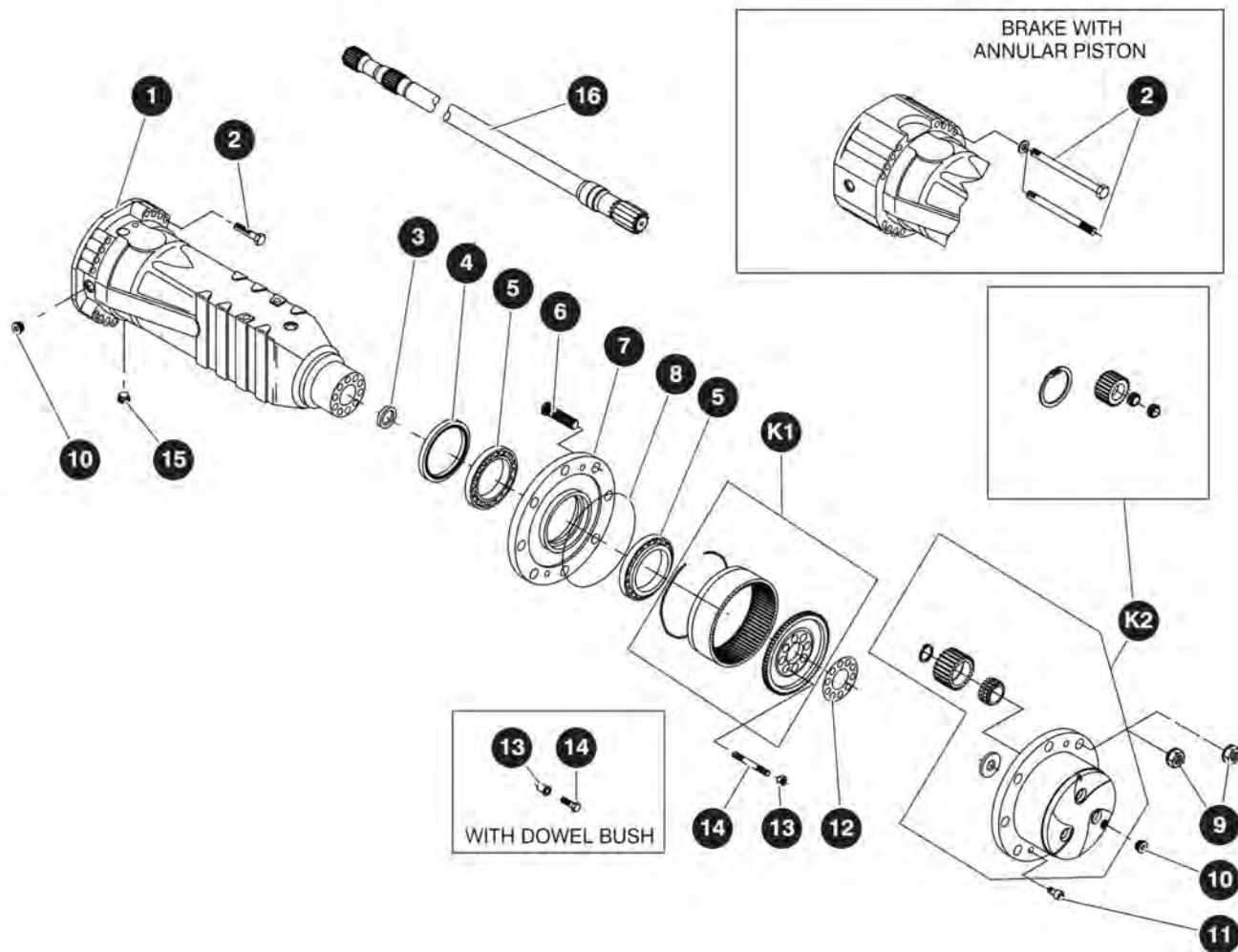
5.9 Drive Shaft



M146267AA

Index No.	Skyjack Part No.	Qty.	Description
1	148962	1	SHAFT, Drive
K1	216872	2	U-JOINT
K2	138731	2	STRAP KIT, U-joint

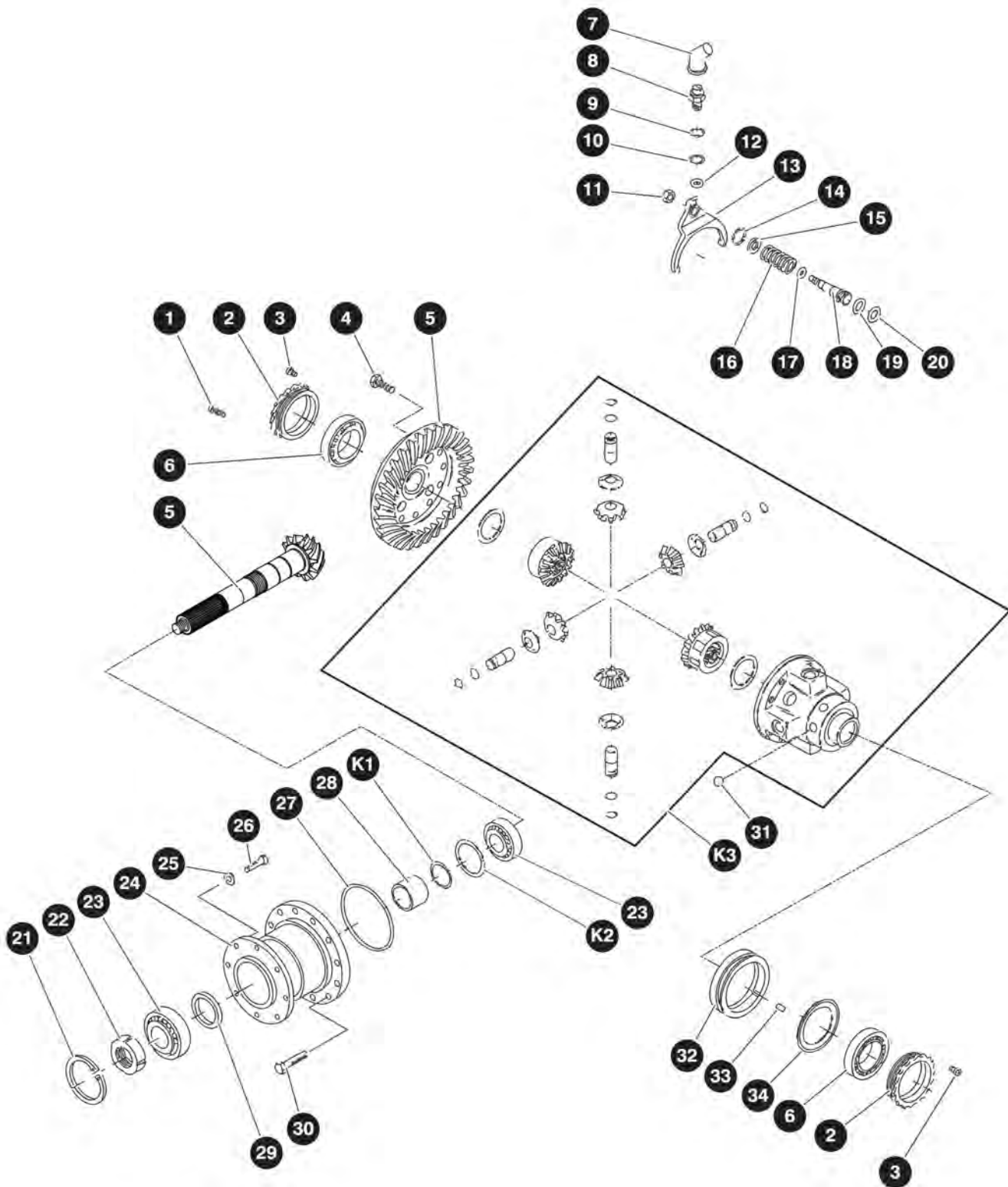
5.10 Hub Reduction - Rear Axle



5.10 Hub Reduction - Rear Axle

Index No.	Skyjack Part No.	Qty.	Description
1	141078	2	• CASE, Axle
2	141079	32	• BOLT
3	141082	2	• SEAL
4	141018	2	• SEAL
5	141019	4	• BEARING
6	141021	16	• STUD, Wheel
7	141020	2	• HUB, Wheel
8	140970	2	• O-RING
9	154590	16	• NUT
10	140969	4	• PLUG
11	141033	4	• BOLT, Countersunk
12	141081	2	• PLATE, Locking
13	141027	16	• NUT
14	141026	16	• STUD
15	140968	2	• PLUG, Magnet
16	141080	2	• SHAFT, Half
K1	141042	2	KIT, Ring gear support
K2	141034	2	KIT, Planet gear carrier

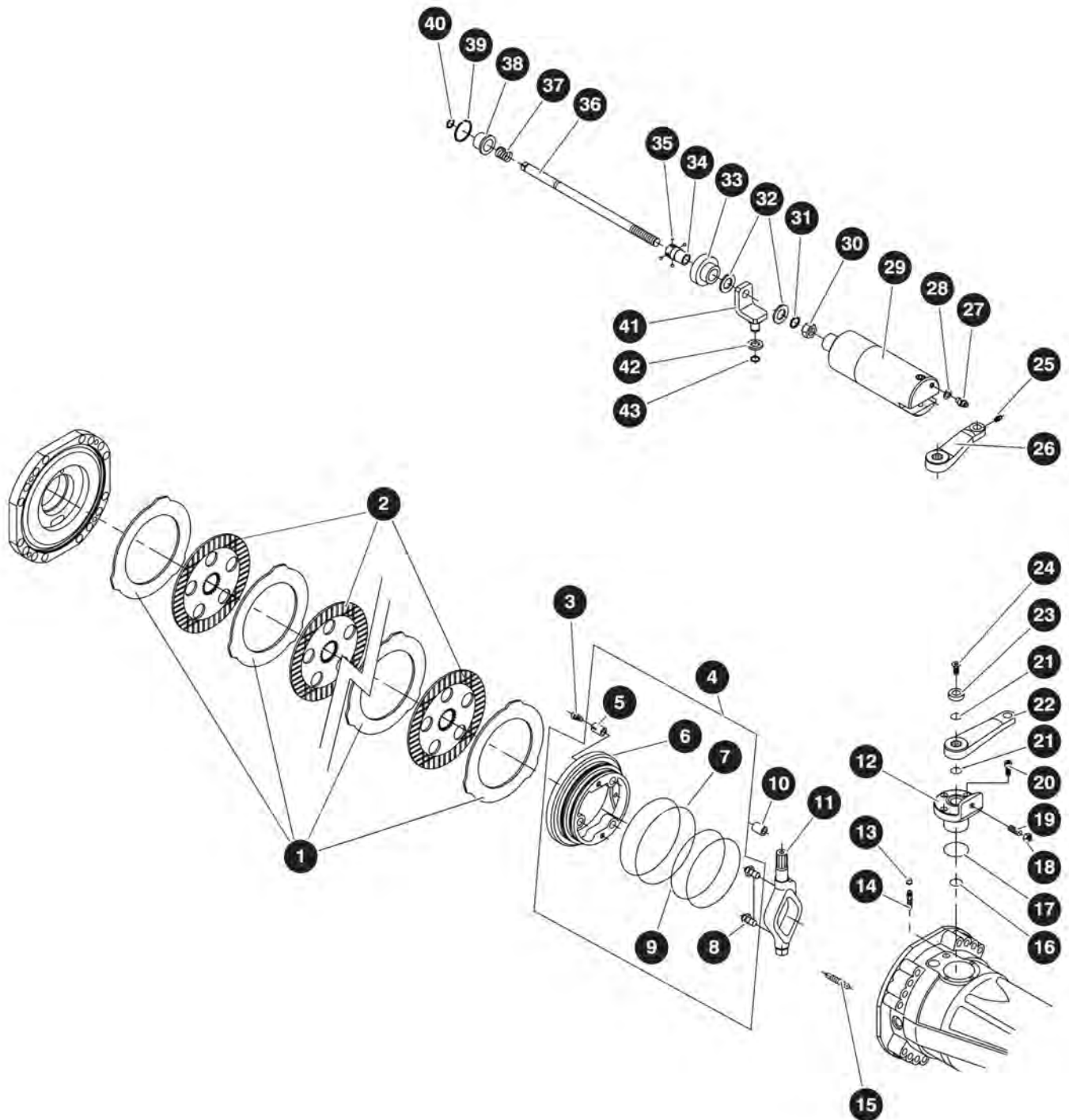
5.11 Differential - Rear Axle



5.11 Differential - Rear Axle

Index No.	Skyjack Part No.	Qty.	Description
1	140977	4	BOLT
2	141068	2	NUT, Ring
3	151768	2	BOLT
4	140993	12	BOLT
5	141065	1	GEAR SET, Bevel
6	140987	2	BEARING, Taper roller
7	154576	1	BOOT
8	154577	1	SWITCH, Security
9	154589	1	WASHER, Seal
10	154578	1	WASHER, Seal
11	154580	1	NUT
12	154579	1	O-RING
13	154588	1	SELECTOR FORK
14	154587	1	CIRCLIP
15	154586	1	PLUG
16	154585	1	SPRING
17	154571	1	CIRCLIP
18	154584	1	PISTON
19	154583	1	O-RING
20	154575	1	RING
21	140966	1	CIRCLIP
22	140980	1	RING NUT
23	140984	2	BEARING, Taper roller
24	141063	1	COVER
25	141075	8	WASHER, Spring
26	141076	8	BOLT, Hexagon
27	141064	1	O-RING
28	141062	1	SPACER
29	141074	1	SEAL
30	141072	12	BOLT, Hexagon
31	154574	6	BALL, Detent
32	154582	1	SELECTOR
33	154572	1	KEY
34	154581	1	SHEET
K1	140982	1	KIT, Shim
K2	140983	1	KIT, Shim
K3	154573	1	KIT, Differential position

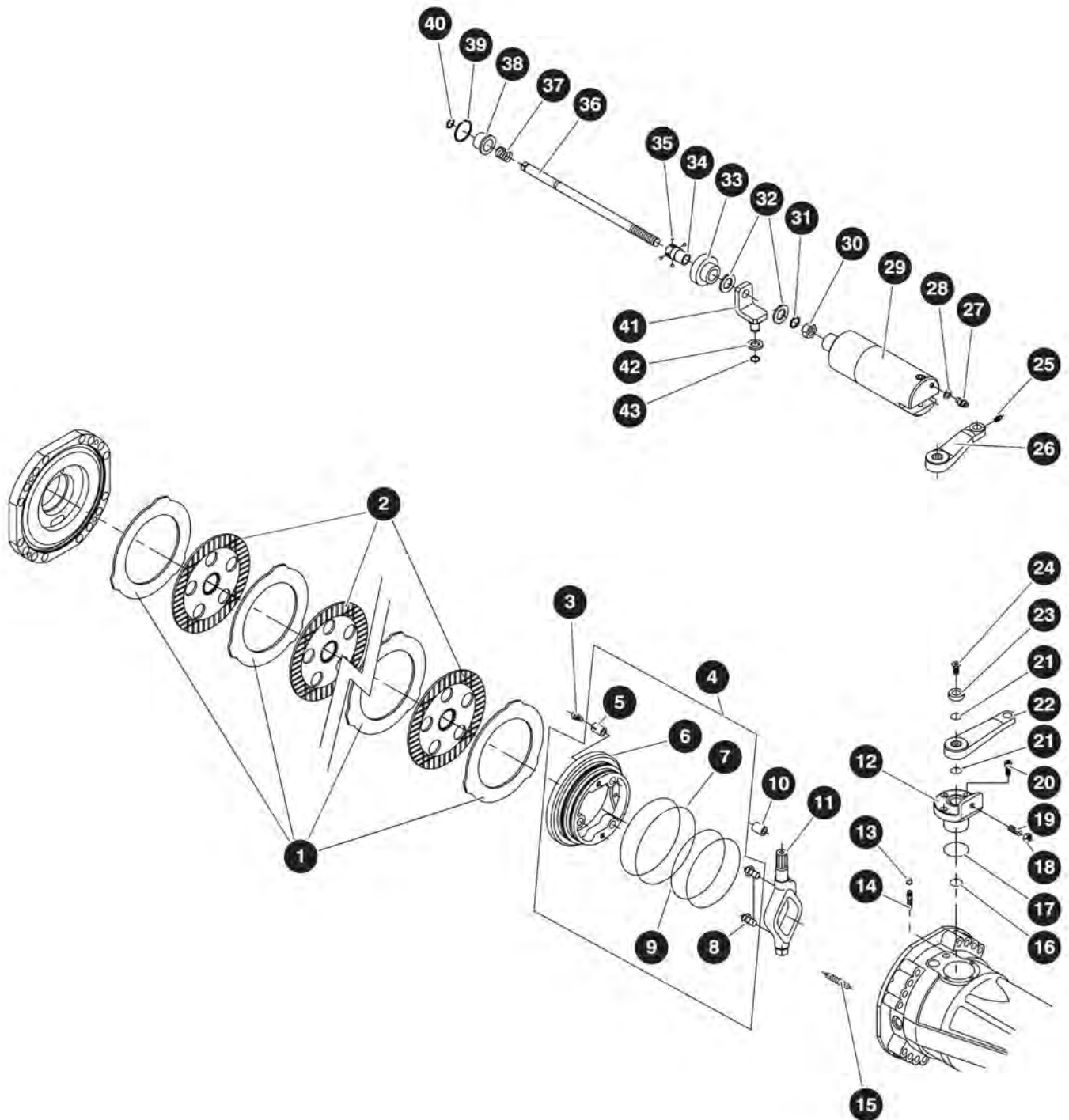
5.12 Brake - Rear Axle



5.12 Brake - Rear Axle

Index No.	Skyjack Part No.	Qty.	Description
1	141096	10	BRAKE DISC, Intermediate
2	141108	8	DISC, Brake
3	141097	6	BOLT, Adjusting
4	151757	1	PISTON (Right)
	151758	1	PISTON (Left)
5	141098	3	• SPRING
6	141109	1	• PISTON (Right)
	141099	1	• PISTON (Left)
7	141101	1	• O-RING
8	151759	2	• PUSHER
9	141107	1	• O-RING
10	141102	2	DOWEL
11	141085	1	LEVER (Right)
	141103	1	LEVER (Left)
12	141089	2	BUSHING, Reduction
13	141006	2	PLUG
14	141086	2	BOLT, Bleeding
15	141104	6	SPRING
16	141129	2	O-RING
17	141088	2	O-RING
18	141091	2	NUT
19	141090	2	BOLT
20	141087	6	BOLT
21	141092	2	O-RING
22	141093	1	LEVER
23	141094	2	WASHER
24	141095	2	BOLT, Countersunk
25	141112	1	FITTING, Grease
26	141110	1	LEVER
27	139126	1	SEAL, British bonded
28	149195	1	FITTING, Elbow 90° (04 JICM - 04 BSPPM)
29	141123	1	CYLINDER, Wheel
30	141122	1	NUT
31	141121	1	CIRCLIP
32	141113	2	WASHER
33	141119	1	BUSHING, Reduction
34	141124	1	BUSHING, Reduction
35	141118	4	BALL, Detend
36	141117	1	CAM, Brake
37	141116	1	SPRING
38	141115	1	BUSHING, Reduction

5.12 Brake - Rear Axle



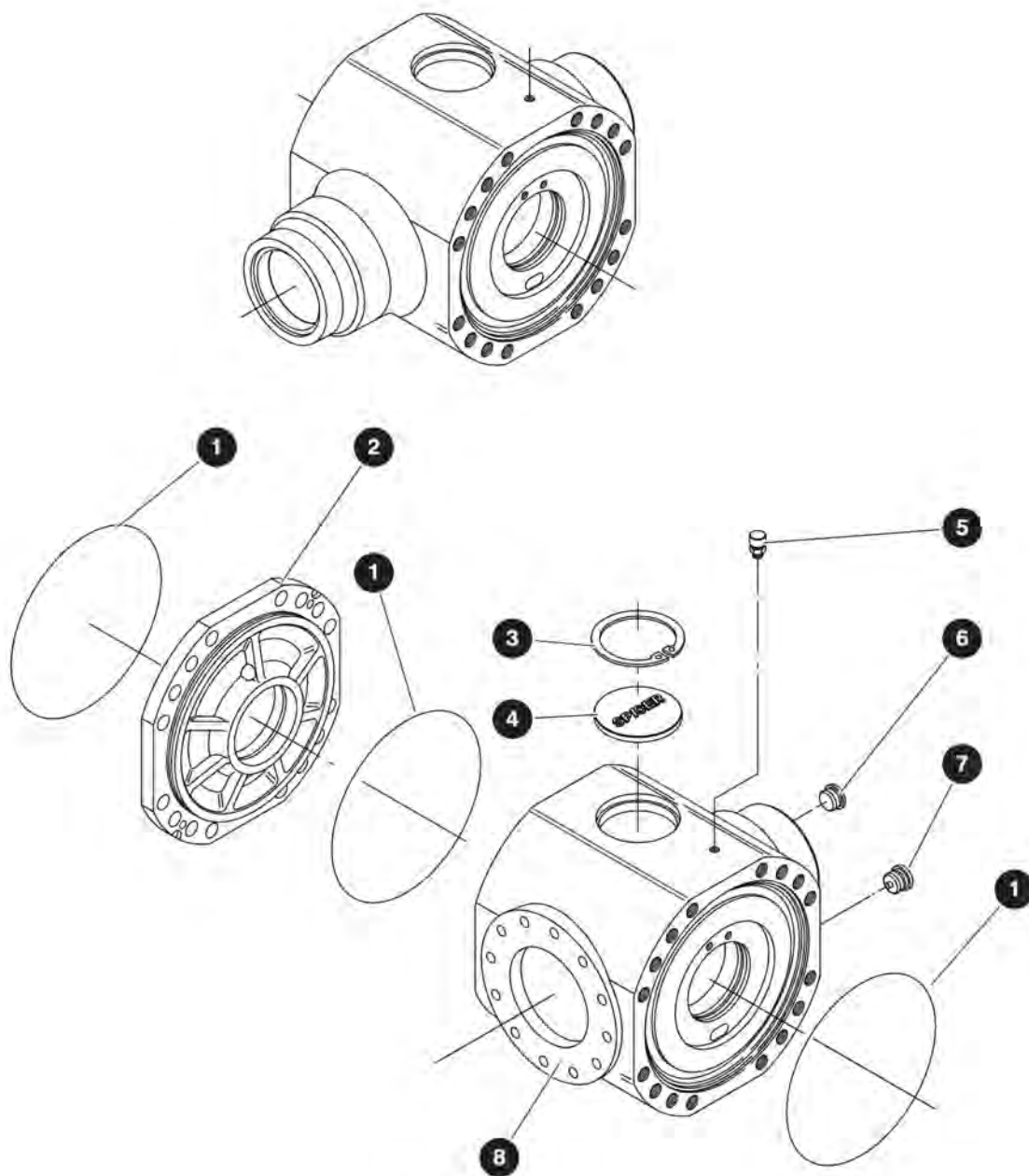
M1410B4AB

238271ACA

5.12 Brake - Rear Axle

Index No.	Skyjack Part No.	Qty.	Description
39	141114	1	RING, Snap
40	141111	1	CIRCLIP
41	141120	1	SUPPORT
42	141126	1	SPACER
43	141125	1	CIRCLIP
K1	408688	1	KIT, Seal (Brake cylinder) (Not Shown)

5.13 Central Housing - Rear Axle



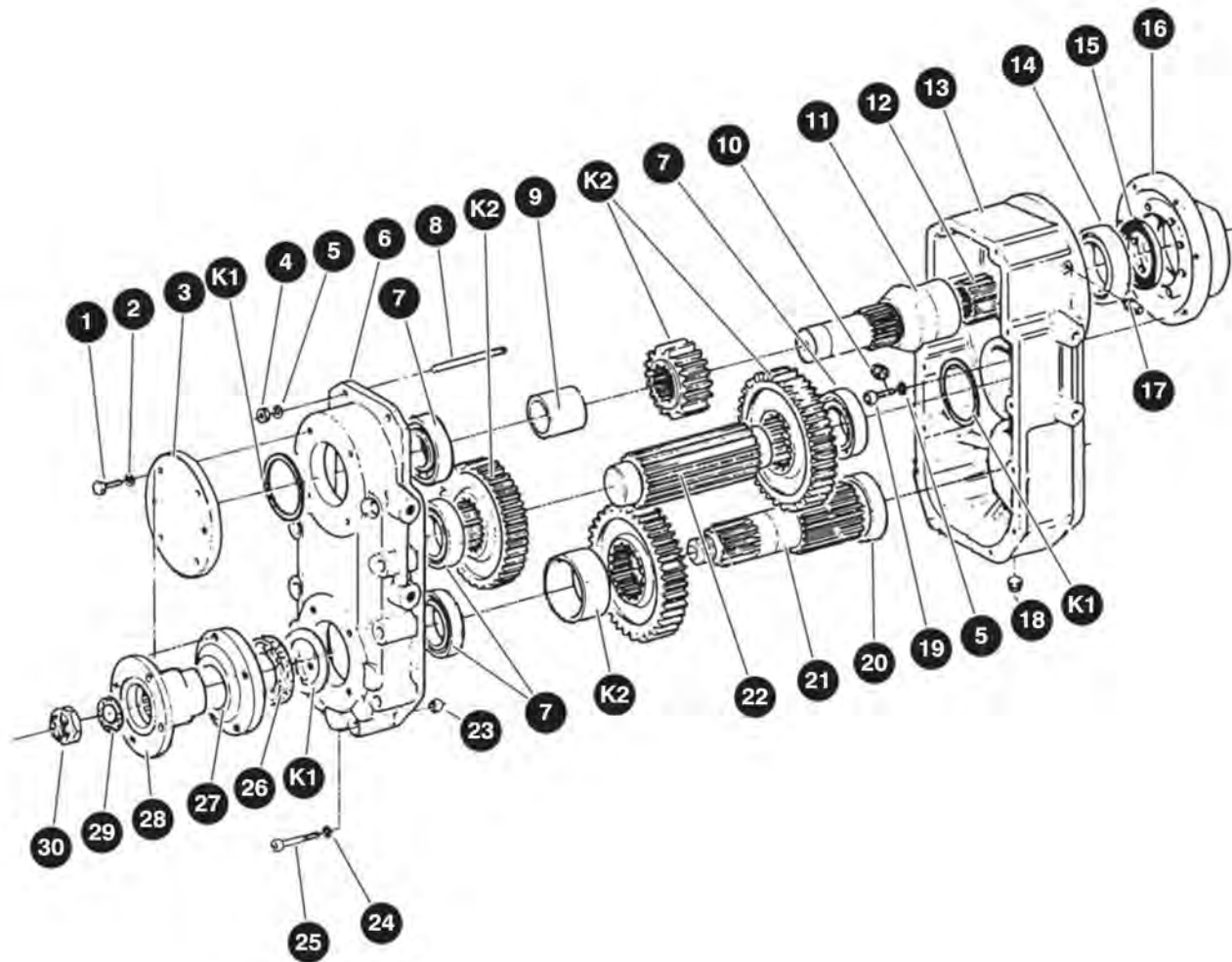
M141057AA 2

238271ACA

5.13 Central Housing - Rear Axle

Index No.	Skyjack Part No.	Qty.	Description
-	154602	1	CENTRAL HOUSING - Rear Axle
1	140970	3	<ul style="list-style-type: none"> • O-RING
2	141054	1	<ul style="list-style-type: none"> • COVER, Intermediate
3	140966	1	<ul style="list-style-type: none"> • CIRCLIP
4	140967	1	<ul style="list-style-type: none"> • PLUG
5	141059	1	<ul style="list-style-type: none"> • VENT
6	140969	1	<ul style="list-style-type: none"> • PLUG
7	140968	1	<ul style="list-style-type: none"> • PLUG, Magnet
8	154570	1	<ul style="list-style-type: none"> • HOUSING

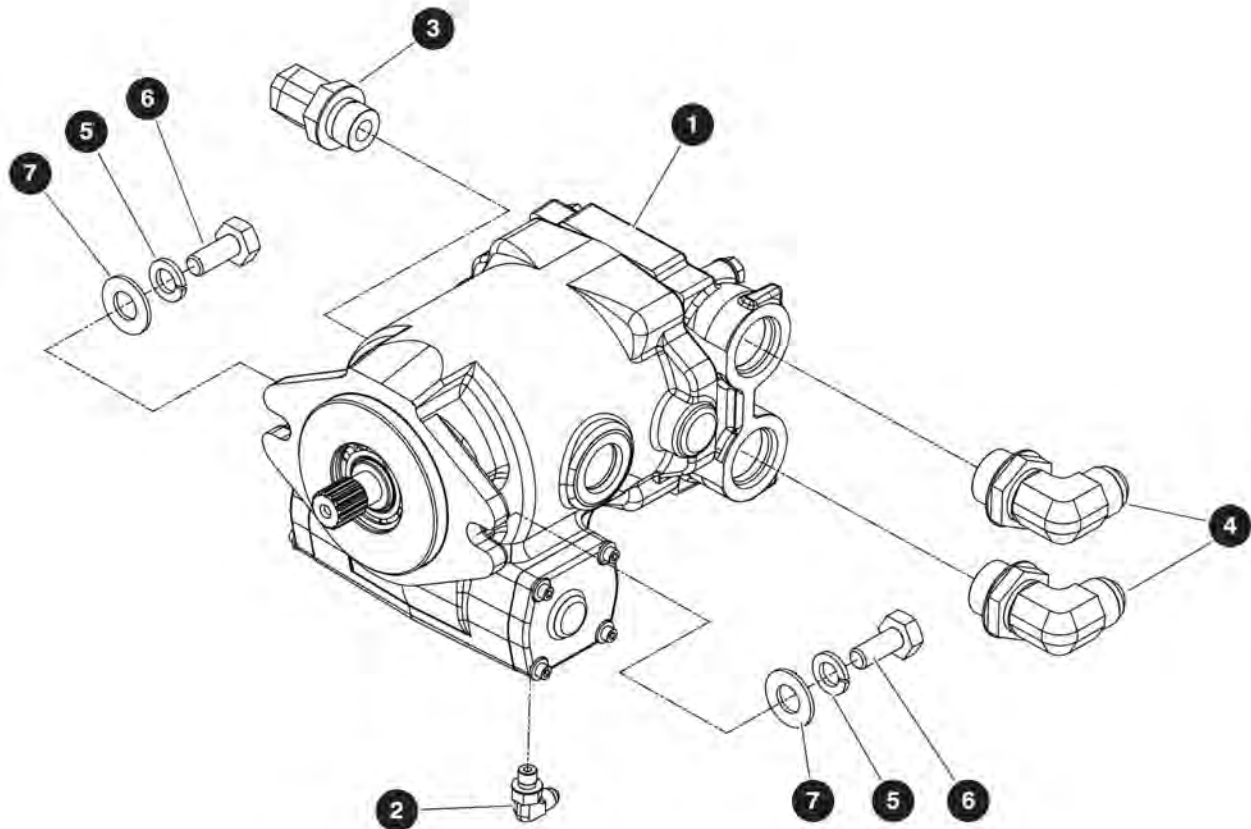
5.14 Gear Box - Rear Axle



5.14 Gear Box - Rear Axle

Index No.	Skyjack Part No.	Qty.	Description
-	154591	1	BOX, Gear
1	141072	4	• BOLT, Hex
2	141373	4	• WASHER, Spring
3	154592	1	• COVER
4	141363	2	• NUT
5	141364	4	• WASHER, Spring
6	154593	1	• HOUSING
7	141137	3	• BEARING, Ball
8	141367	2	• STUD
9	141378	1	• SPACER
10	141143	1	• PLUG
11	154594	2	• SHAFT, Input
12	154595	2	• BUSHING
13	154596	1	• COVER
14	141366	1	• BEARING, Ball
15	141370	1	• SEAL
16	141371	1	• COVER
17	141134	1	• VENT
18	141144	1	• PLUG, Magnet
19	141383	4	• BOLT
20	141375	1	• SPACER
21	141376	1	• SHAFT, Output
22	141377	1	• SHAFT
23	141379	2	• BUSHING, Reduction
24	141380	10	• WASHER, Spring
25	141381	10	• BOLT
26	141149	1	• SEAL
27	141374	1	• COVER
28	141151	1	• FLANGE
29	141152	1	• O-RING
30	141372	1	• NUT
K1	140994	2	KIT, Shim
K2	141385	1	KIT, Gear

5.15 Drive Motor



M161762AA

238271ACA

5.15 Drive Motor

Index No.	Skyjack Part No.	Qty.	Description
-	161762	1	DRIVE MOTOR ASSEMBLY
1	161964	1	• MOTOR, Hydraulic drive
2	125883	1	• FITTING, Elbow, 90° (04 JICM - 04 ORBM)
3	112366	1	• FITTING, Elbow, 90° (08 JICM - 12 ORBM)
4	710124	2	• FITTING, Elbow, 90° (12 JICM - 16 ORBM)
5	138738	2	• WASHER, Lock (M14)
6	138734	2	• BOLT, Hex head (M14 x 2 x 30mm, ZP, Grade 8.8)
7	700782	2	• WASHER, Flat hardened (5/8")

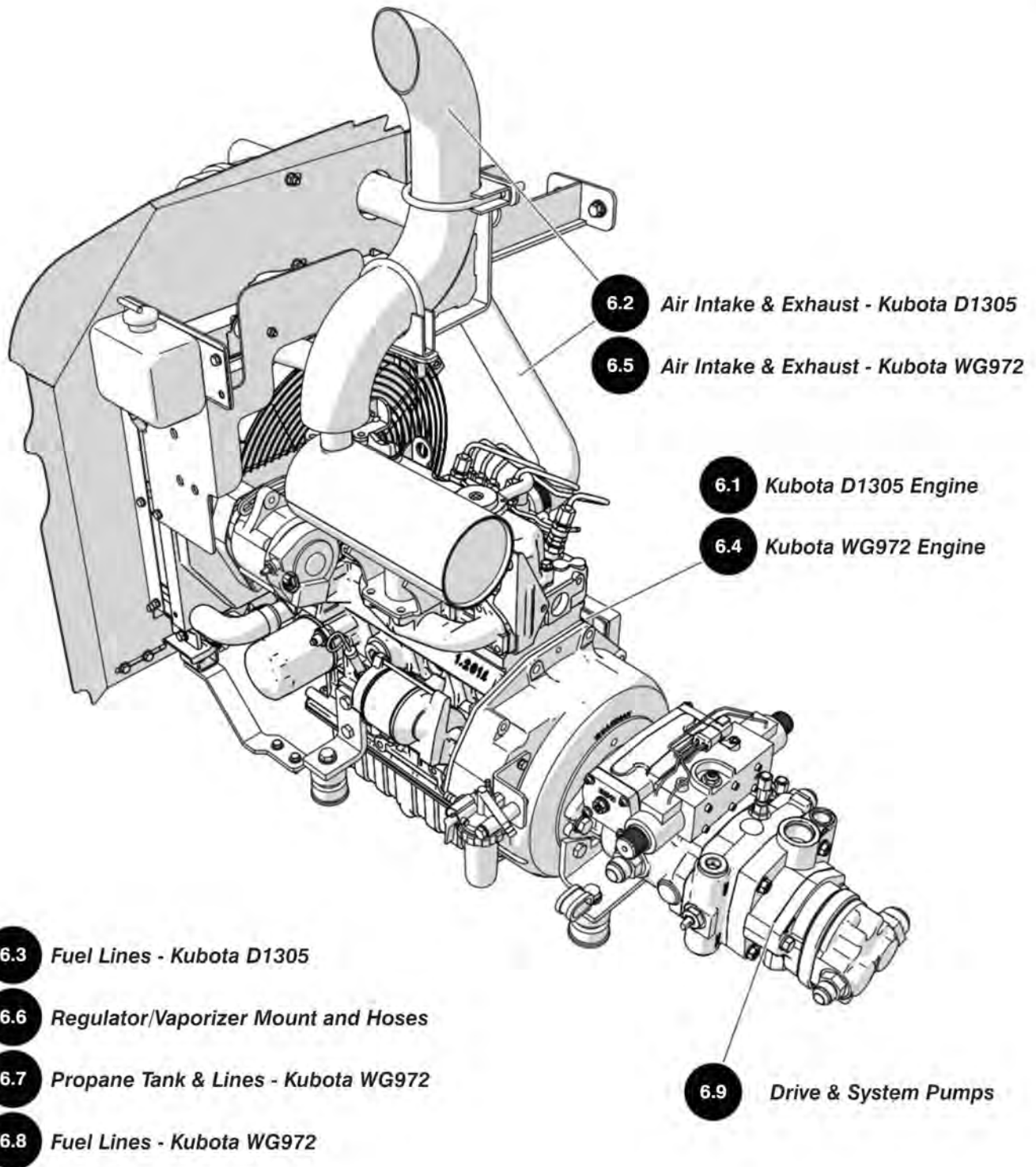
5.16 Tires



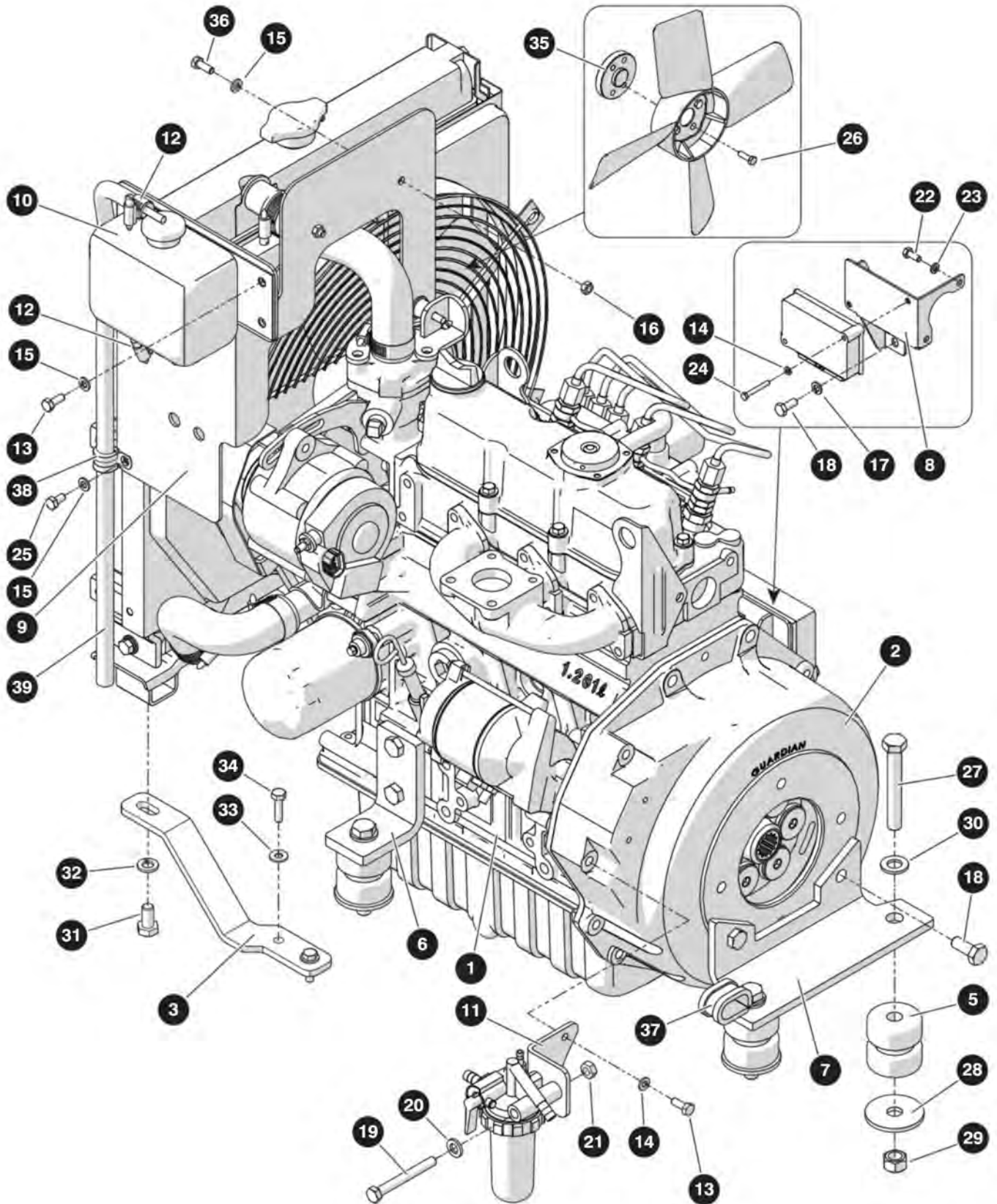
M222306AE

Index No.	Skyjack Part No.	Qty.	Description
A	222306	2	WHEEL, Left hand - Solid
	222307	2	WHEEL, Right hand - Solid
B	222078	2	WHEEL, Left hand - Solid, Non-marking
	222079	2	WHEEL, Right hand - Solid, Non-marking
1	215993	1	• RIM (7-1/2 " x 20", 2-1/2" offset)
2	215998	1	• TIRE, Brawler solid (31 x 10-20), A
	222080	1	• TIRE, Brawler solid (31 x 10-20), B

Section 6 – Engines



6.1 Kubota D1305 Engine



M237594AH

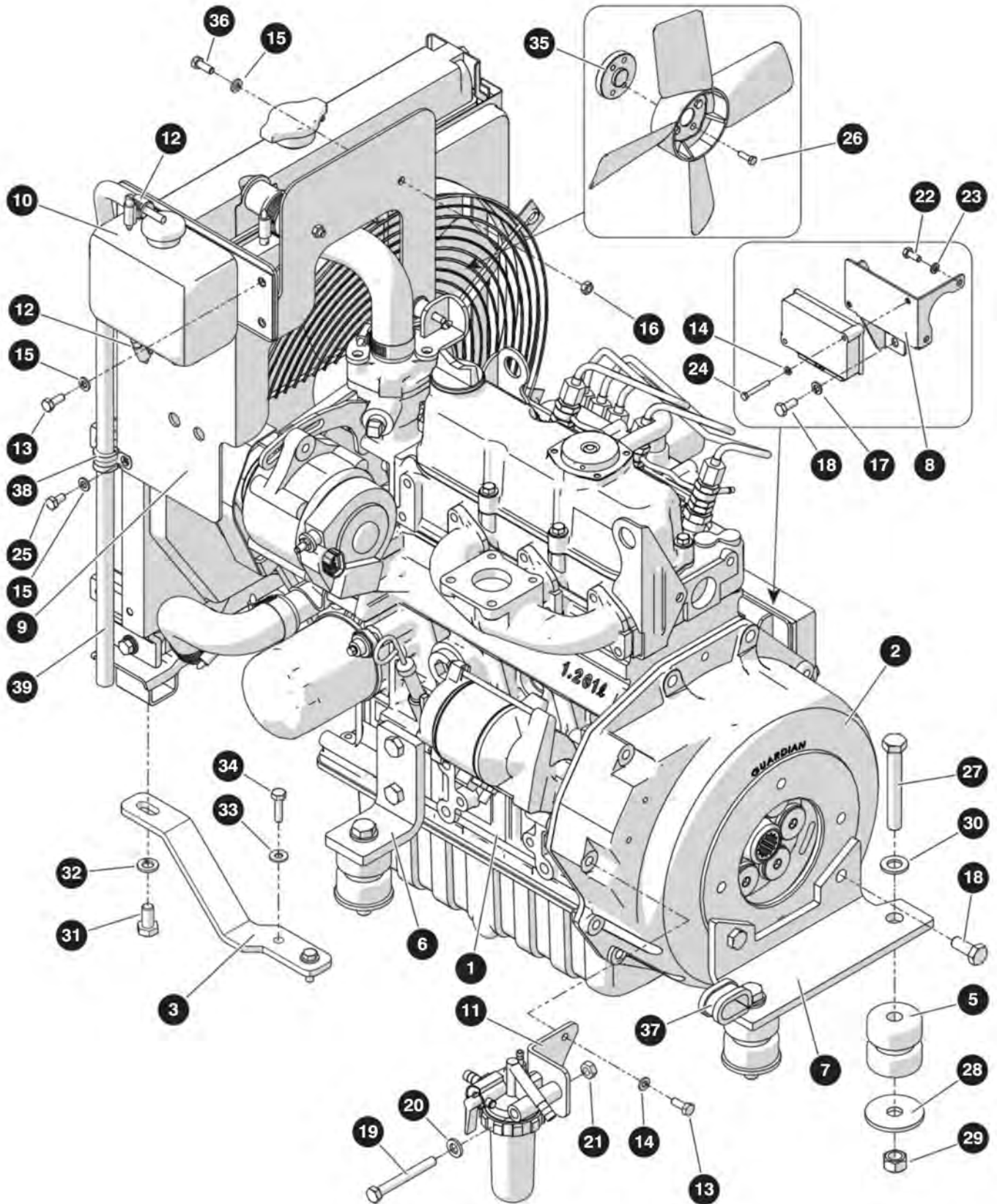
238271ACA

SJ45 AJ+

6.1 Kubota D1305 Engine

Index No.	Skyjack Part No.	Qty.	Description
-	237594	1	KUBOTA ENGINE - D1305
1	215012	1	• ENGINE, Kubota D1305 E4B
	236071	1	• • FILTER, Oil - inner
	147129	1	• • CARTRIDGE, Oil filter
	236072	1	• • STARTER
	236073	1	• • ALTERNATOR
	236074	1	• • STAY, Dynamo
	236075	1	• • GUARD, Alternator
	228540	1	• • GLOW PLUG
	236076	1	• • SOLENOID, Stop
	236077	1	• • PUMP, Water
	136109	1	• • THERMOSTAT
	210118	1	• • PIPE, Water return
	236078	1	• • FAN, Cooling
	236079	1	• • BELT, Fan
	236080	1	• • PUMP, Fuel transfer
	236081	1	• • DIPSTICK
	236082	1	• • SENSOR, Water temp
	236083	1	• • MANUAL, Operator's - Kubota D1305
	236084	1	• • GASKET, Exhaust
	240890	1	• • ECU
	236088	1	• • FUEL FILTER ASSEMBLY
	236089	1	• • • FILTER, Fuel
	236091	1	• • RADIATOR KIT
2	239474	1	• HOUSING, Flywheel - D1305
3	238504	1	• BRACKET, Radiator mount (shown)
4	238505	1	• BRACKET, Radiator mount (not shown - opposite side)
5	237586	4	• MOUNT, Vibration - 75A
6	215021	2	• BRACKET, Engine mount
7	237601	1	• BRACKET, Engine mount
8	215249	1	• BRACKET, ECU
9	238766	1	• BRACKET, Overflow tank
10	147142	1	• RESERVOIR, Coolant
11	215108	1	• BRACKET, Fuel filter
12	103321	2	• CLAMP, Gear (SAE NO. 4 - 1/4"-13/16")
13	104608	4	• BOLT, Hex head (M6 x 1 x 16 mm, gr 9.8)
14	121758	4	• WASHER Lock (M6)
15	600190	6	• WASHER, Flat (M6)
16	800354	4	• NUT, Hex head (M6-1.00)
17	132497	1	• WASHER Lock (M10)
18	228454	7	• BOLT, Hex head (M10 x 1.25 x 25, cl 8.8)
19	217410	1	• BOLT, Hex head (M8 x 1.25 x 70, cl 8.8)
20	600184	1	• WASHER, Flat (M8)
21	121059	1	• NUT, Hex head (M8-1.25, gr 5)
22	133174	1	• BOLT, Hex head (M8-1.25 x 2,0 gr 8.8)
23	116218	1	• WASHER Lock (M8)

6.1 Kubota D1305 Engine



M237594AH

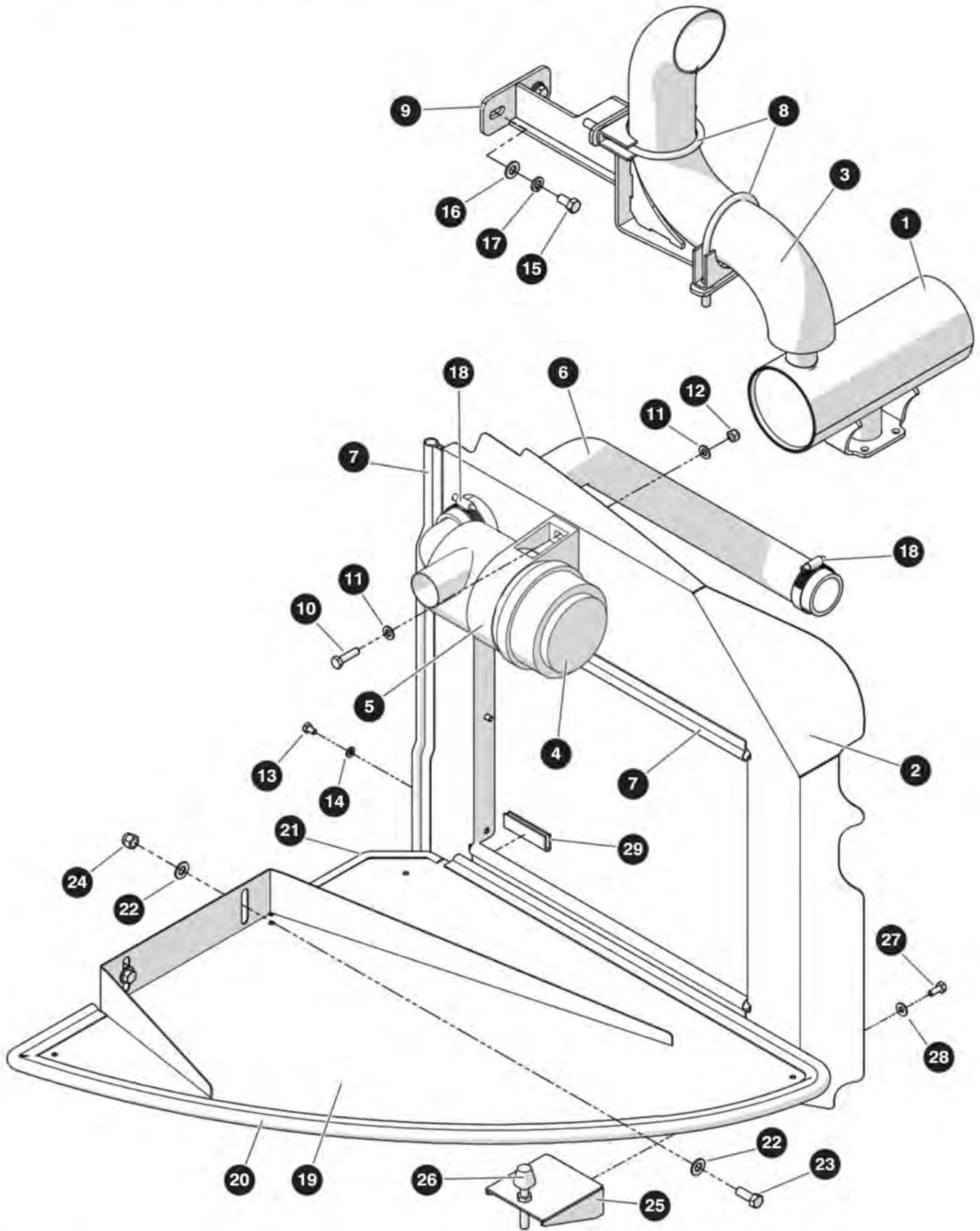
238271ACA

SJ45 AJ+

6.1 Kubota D1305 Engine

Index No.	Skyjack Part No.	Qty.	Description
24	217225	2	• BOLT, Hex head (M6 x 1 x 45, cl 8.8)
25	933646	2	• BOLT, Hex head (M6 x 1 x 12 mm, cl 8.8)
26	217871	4	• BOLT, Hex head (M6 x 1 x 20, cl 10.9)
27	217278	4	• BOLT, Hex head (M12 x 1.75 x 85, cl 8.8)
28	212939	4	• WASHER, Flat (1/2" style BB)
29	217619	4	• NUT, Torque lock (M12 x 1.75, cl 10)
30	933817	4	• WASHER, Flat (M12, cl 200 Y)
31	933740	2	• BOLT, Hex head (M10 x 1.5 x 20, cl 10.9)
32	130884	2	• WASHER Lock (M10)
33	103995	4	• WASHER, Flat (1/4")
34	103857	4	• BOLT-Hex head/ZINC (1/4"-20 x 1", gr 5)
35	238516	1	• FAN SPACER, (3/8")
36	217392	2	• BOLT, Hex head (M6 x 1 x 16, cl 8.8)
37	152333	1	• CLAMP, Tube - cushioned (5/8" with 17/32" hole)
38	102929	2	• CLIP, Single
39	102984	24"	• LINE, Fuel (5/16")

6.2 Air Intake & Exhaust - Kubota D1305



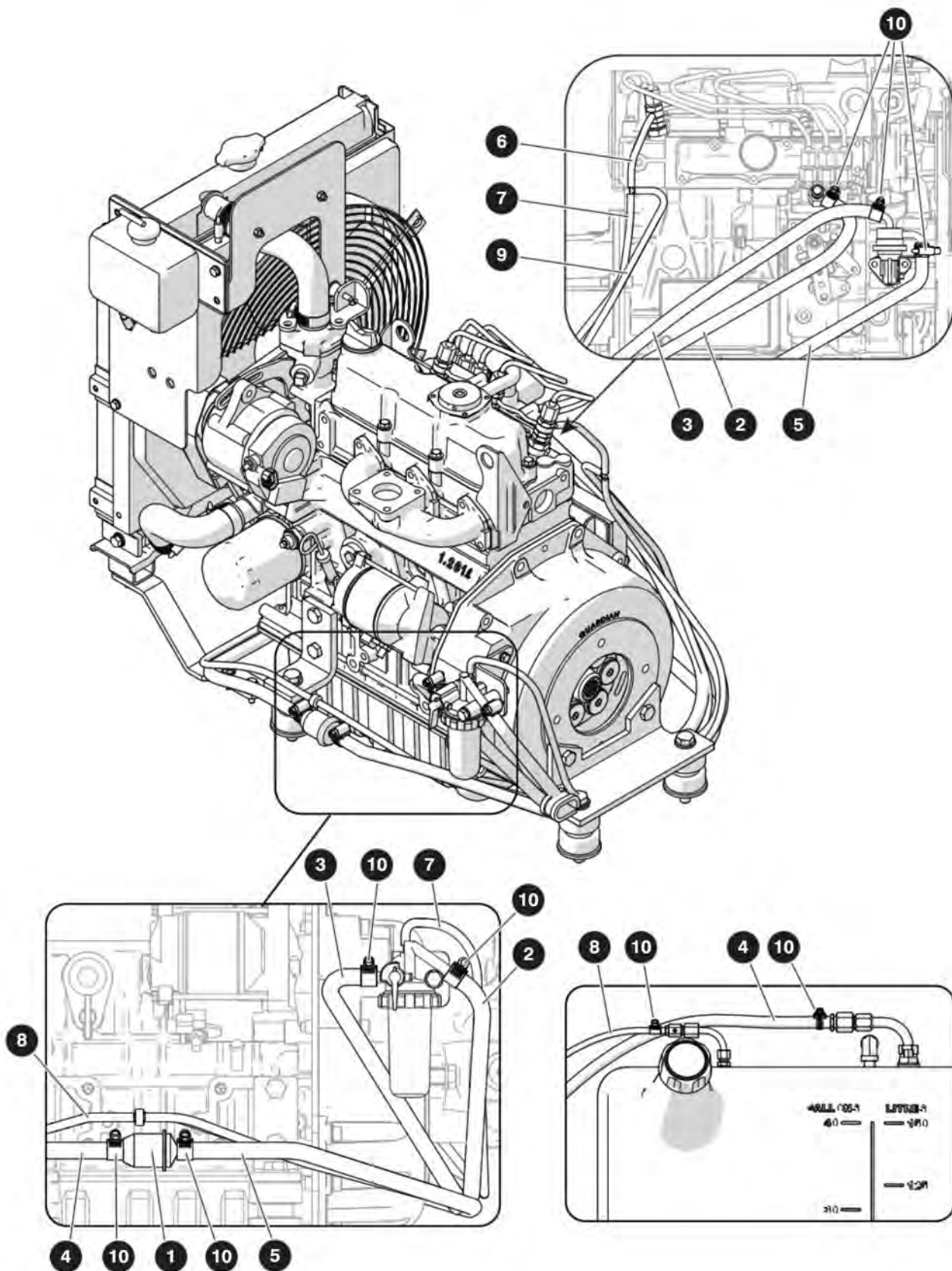
M238499AH

238271ACA

6.2 Air Intake & Exhaust - Kubota D1305

Index No.	Skyjack Part No.	Qty.	Description
A	238499	1	AIR INTAKE & EXHAUST - Standard
B	238743	1	AIR INTAKE WITH SCRUBBER EXHAUST - Option
1	237590	1	• MUFFLER, Kubota D1305, A
	238740	1	• SCRUBBER, Kubota D1305, B
2	237584	1	• BAFFLE, Engine intake
3	239497	1	• TUBE, Exhaust - D1305
4	128601	1	• AIR CLEANER
	132913	1	• • ELEMENT, Filter
5	128602	1	• BAND, Mounting - air cleaner
6	238520	1	• HOSE, Intake - air cleaner
7	137625	58"	• TRIM, Rubber
8	928271	2	• CLAMP, Exhaust (3")
9	239701	1	• BRACKET, Exhaust
10	217878	2	• BOLT, Hex head (M8 x 1.25 x 30, cl 10.9)
11	933832	4	• WASHER, Flat (M8)
12	223162	2	• NUT, Lock - hex head nylon (M8 x 1.25, cl 10)
13	600723	6	• BOLT, Hex head (M6-1 x 10 mm, gr 8.8)
14	121758	6	• WASHER, Lock (M6)
15	101632	2	• BOLT, Hex head (3/8"-16 x 3/4, gr 5)
16	125959	2	• WASHER, Flat hardened (3/8")
17	103999	2	• WASHER, Lock (3/8")
18	133222	2	• CLAMP, Gear (#32)
19	238356	1	• BAFFLE, Horizontal
20	137625	21"	• TRIM, Rubber
21	220305	4"	• TRIM, Edge
22	103472	4	• WASHER, Flat (3/8")
23	103473	2	• BOLT, Hex head (3/8"-16 x 1", gr 5)
24	104606	2	• NUT, Lock (3/8"-16, gr 5)
25	238367	1	• BRACKET, Bumper
26	116494	1	• BUMPER, Vibration
27	103995	2	• WASHER, Flat (1/4")
28	103892	2	• BOLT, Hex head (1/4"-20 x 5/8", gr 5)
29	117398	3-1/4"	• TRIM, Protective

6.3 Fuel Lines - Kubota D1305



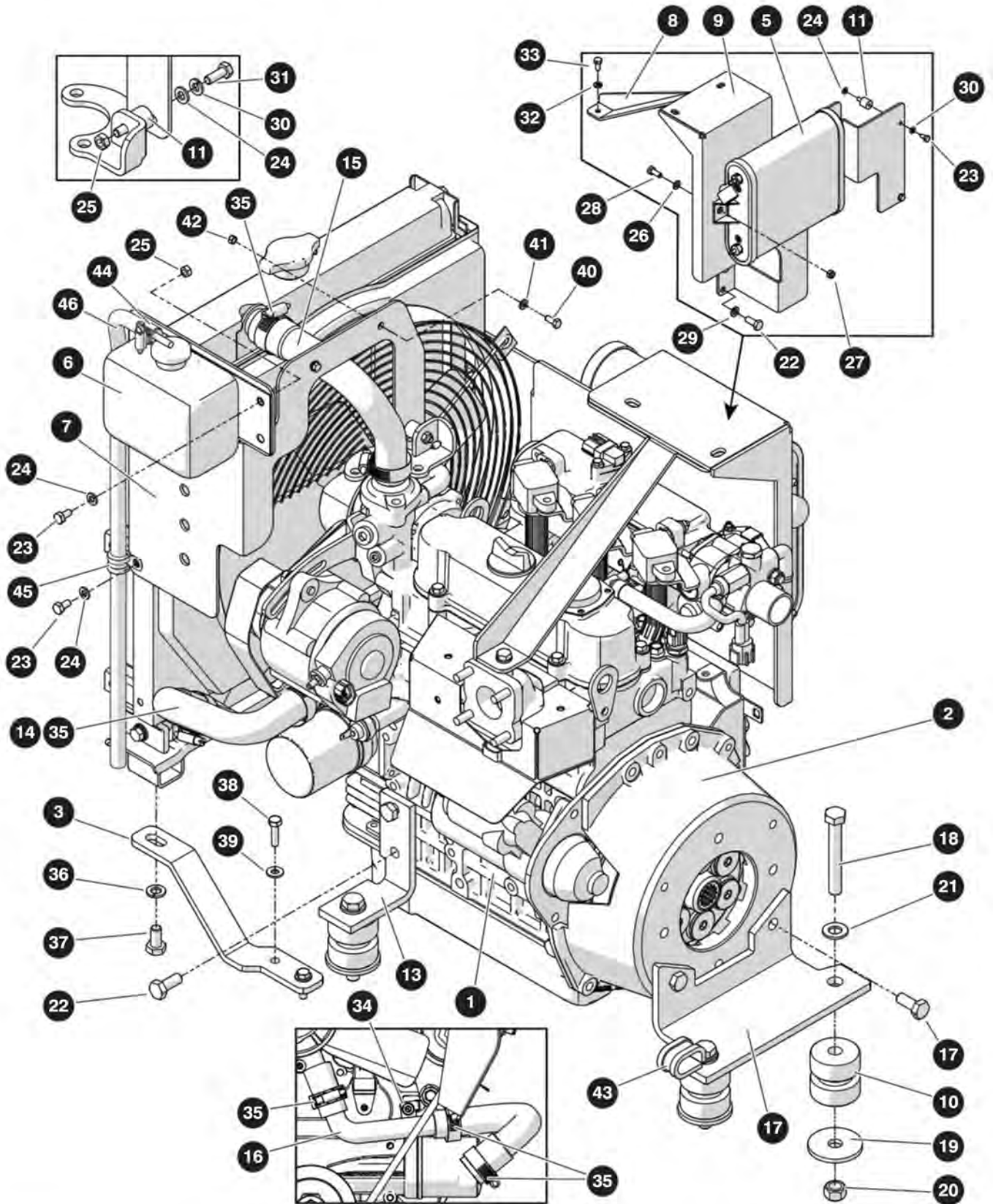
M238515AB

238271ACA

6.3 Fuel Lines - Kubota D1305

Index No.	Skyjack Part No.	Qty.	Description
-	238515	1	DIESEL FUEL LINES
1	139254	1	• FILTER, Fuel In-line
2	102984	48"	• FUEL LINE (5/16")
3	102984	50"	• FUEL LINE (5/16")
4	102984	86"	• FUEL LINE (5/16")
5	102984	24"	• FUEL LINE (5/16")
6	102660	5"	• HOSE, Fuel line (1/8")
7	102660	40"	• HOSE, Fuel line (1/8")
8	102660	79"	• HOSE, Fuel line (1/8")
9	102660	34"	• HOSE, Fuel line (1/8")
10	103321	9	• CLAMP, Gear

6.4 Kubota WG972 Engine



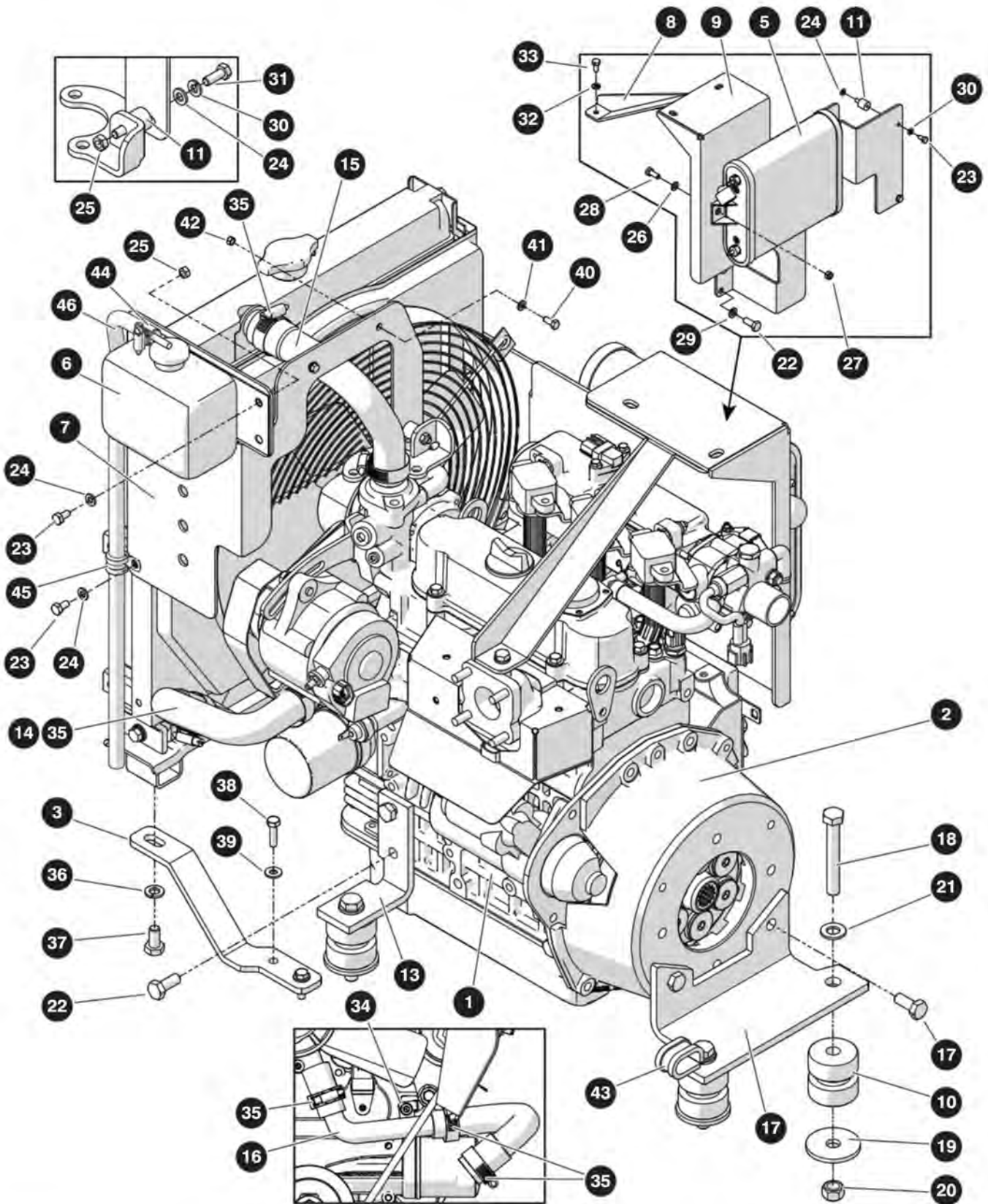
M237595AG

238271ACA

6.4 Kubota WG972 Engine

Index No.	Skyjack Part No.	Qty.	Description
-	237595	1	KUBOTA WG972 ENGINE
1	220411	1	• ENGINE, Kubota EG972 E3F
	236102	1	• • CRANKCASE
	136094	1	• • GUIDE, Oil gauge
	159207	1	• • PAN
	236103	1	• • GEAR CASE
	236104	1	• • PUMP, Water
	236105	1	• • INLET MANIFOLD
	166634	1	• • THROTTLE BODY
	236106	1	• • MIXER
	166636	1	• • EXHAUST MANIFOLD
	236107	1	• • COVER, Cylinder head
	237841	1	• • FILTER, Oil - inner
	237842	1	• • CARTRIDGE, Oil filter
	159213	1	• • DIPSTICK
	194646	1	• • PLUG, Oil gauge
	237843	1	• • ECU
	237844	1	• • STAY 1, ECU
	237845	1	• • STAY 2, ECU
	237846	1	• • WIRE HARNESS, ECU
	159216	1	• • STARTER
	237847	1	• • ALTERNATOR
	237760	1	• • STAY, Alternator
	136103	1	• • GUARD , Alternator
	166642	3	• • SPARK PLUG
	237761	1	• • FLANGE, Water
	237762	1	• • THERMOSTAT
	136110	1	• • COVER, Thermostat
	236078	1	• • FAN, Cooling
	237764	1	• • COLLAR, Fan
	136112	1	• • PULLEY, Fan
	220382	1	• • PULLEY, Fan drive
	136114	1	• • BELT, Fan
	237765	1	• • SWITCH, Oil
	237766	1	• • MANUAL, Operator's - WG972
	166645	1	• • SENSOR, O2
	136118	1	• • FILTER, Fuel
	158923	1	• • VAPORIZER
	237766	1	• • VALVE, 2 way
	166647	1	• • MUFFLER, Cat
	166648	2	• • GASKET, Exhaust
	237768	1	• • COVER, Muffler
	237769	1	• • COVER, Muffler flange
	237770	1	• • HOSE Water
	237771	2	• • CLAMP, Hose
	237772	1	• • RADIATOR

6.4 Kubota WG972 Engine



M237595AG

238271ACA

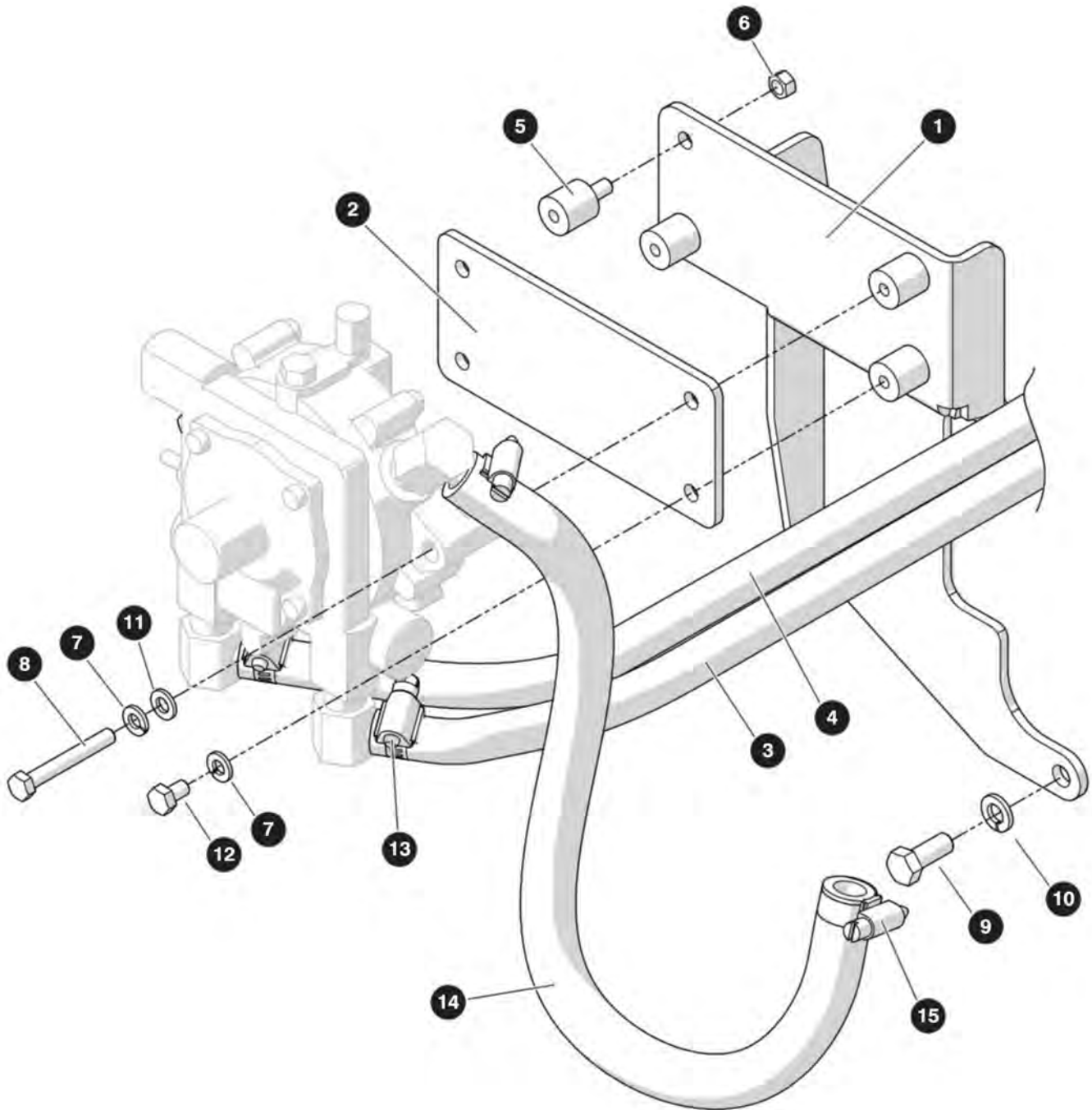
6.4 Kubota WG972 Engine

Index No.	Skyjack Part No.	Qty.	Description
2	239475	1	• HOUSING, Flywheel housing
3	238504	1	• BRACKET, Radiator mount (shown)
4	238505	1	• BRACKET, Radiator mount (not shown - opposite side)
5	158920	1	• CANISTER, Evaporative
6	147142	1	• RESERVOIR, Coolant
7	222072	1	• BRACKET, Overflow tank
8	222043	1	• SUPPORT, Evaporative canister
9	232945	1	• BRACKET, Evaporative canister
10	237586	4	• MOUNT, Vibration
11	165927	3	• MOUNT, Vibration
12	215174	1	• BRACKET, Engine mount - FL-RR (not shown - opposite side)
13	215173	1	• BRACKET, Engine mount - FR-RL (shown)
14	222074	1	• HOSE, Radiator outlet
15	222073	1	• HOSE, Radiator inlet
16	220367	1	• TUBE, Beaded
17	237602	1	• BRACKET, Engine mount
18	217278	4	• BOLT, Hex head (M12 x 1.75 x 85, cl 8.8)
19	212939	4	• WASHER, Flat hardened (0.536" x 2")
20	217619	4	• NUT, Torque lock (M12 x 1.75, cl 10)
21	933817	4	• WASHER, Flat (M12)
22	228454	10	• BOLT, Hex head (M10 x 1.25 x 25 cl 8.8)
23	933646	6	• BOLT, Hex head (M6 x 1 x 12mm cl 8.8)
24	600190	7	• WASHER, Flat (M6)
25	800354	3	• NUT, Hex head (M6-1)
26	933832	2	• WASHER, Flat (M8-16)
27	223163	2	• NUT, Hex head lock (M8 x 1.25, cl 8)
28	133174	2	• BOLT, Hex head (M8-1.25 x 20, gr 8.8)
29	132497	2	• WASHER, Lock (M10)
30	121758	3	• WASHER, Lock (M6)
31	217392	1	• BOLT, Hex head (M6 x 1 x 16, cl 8.8)
32	116218	1	• WASHER, Lock (M8)
33	217401	1	• BOLT, Hex head (M8 x 1.25 x 16, cl 10.9)
34	217083	1	• SCREW, Socket head cap (M8 x 1.25 x 20, cl 12.9)
35	133696	5	• CLAMP, Hose (1-1/2")
36	130884	2	• WASHER, Lock (M10)
37	933740	2	• BOLT, Hex head (M10 x 1.5 x 20, cl 10.9)
38	103857	4	• BOLT, Hex head (1/4"-20 x 1", gr 5)
39	103995	4	• WASHER, Flat (1/4")
40	228453	2	• BOLT, Hex head (M5 x 0.8 x 12 cl 8.8)
41	134530	2	• WASHER, Flat (M5)
42	217576	2	• NUT, Hex (M5 x 0.8, cl 8)
43	152333	1	• CLAMP, Tube - cushioned (5/8" with 17/32" hole)
44	103321	2	• CLAMP, Gear (SAE NO. 4 - 1/4"-13/16")
45	102929	2	• CLIP, Single
46	102984	24"	• LINE, Fuel (5/16")

6.5 Air Intake & Exhaust - Kubota WG972

Index No.	Skyjack Part No.	Qty.	Description
-	238748	1	AIR INTAKE & EXHAUST - Kubota WG972
1	128601	1	• AIR CLEANER
	133289	1	• • HOUSING, Filter
	132913	1	• • ELEMENT, Filter - air cleaner
2	128602	1	• BAND, Mounting - air cleaner
3	238750	1	• BAFFLE, Engine intake
4	215170	1	• TUBE, Air intake
5	220383	1	• HOSE, Air intake
6	222057	1	• ADAPTER, Exhaust
7	232946	1	• BRACKET, Exhaust
8	238719	1	• TUBE, Exhaust
9	238718	1	• BRACKET, Exhaust mount
10	238731	1	• HEAT SHIELD, Exhaust
11	137625	58	• TRIM, Rubber
12	136969	3	• CLAMP, Exhaust - U-bolt (1-1/4")
13	104528	3	• CLAMP, Hose (1-3/4")
14	121758	5	• WASHER, Lock (M6)
15	217879	2	• BOLT, Hex head (M8 x 1.25 x 30, cl 10.9)
16	933832	4	• WASHER, Flat (M8)
17	223162	2	• NUT, Lock - hex head nylon (M8 x 1.25, cl 10)
18	217870	1	• BOLT, Hex head (M6 x 1 x 16, cl 10.9)
19	600190	1	• WASHER, Flat (M6)
20	933658	2	• BOLT, Hex head (M10 x 1.5 x 30 mm, gr 10.9)
21	600572	2	• WASHER, Flat hardened (M10)
22	600723	6	• BOLT, Hex head (M6-1 x 10 mm, gr 8.8)
23	239472	1	• HEAT SHIELD, Exhaust
24	117398	3-1/4"	• TRIM, Protective

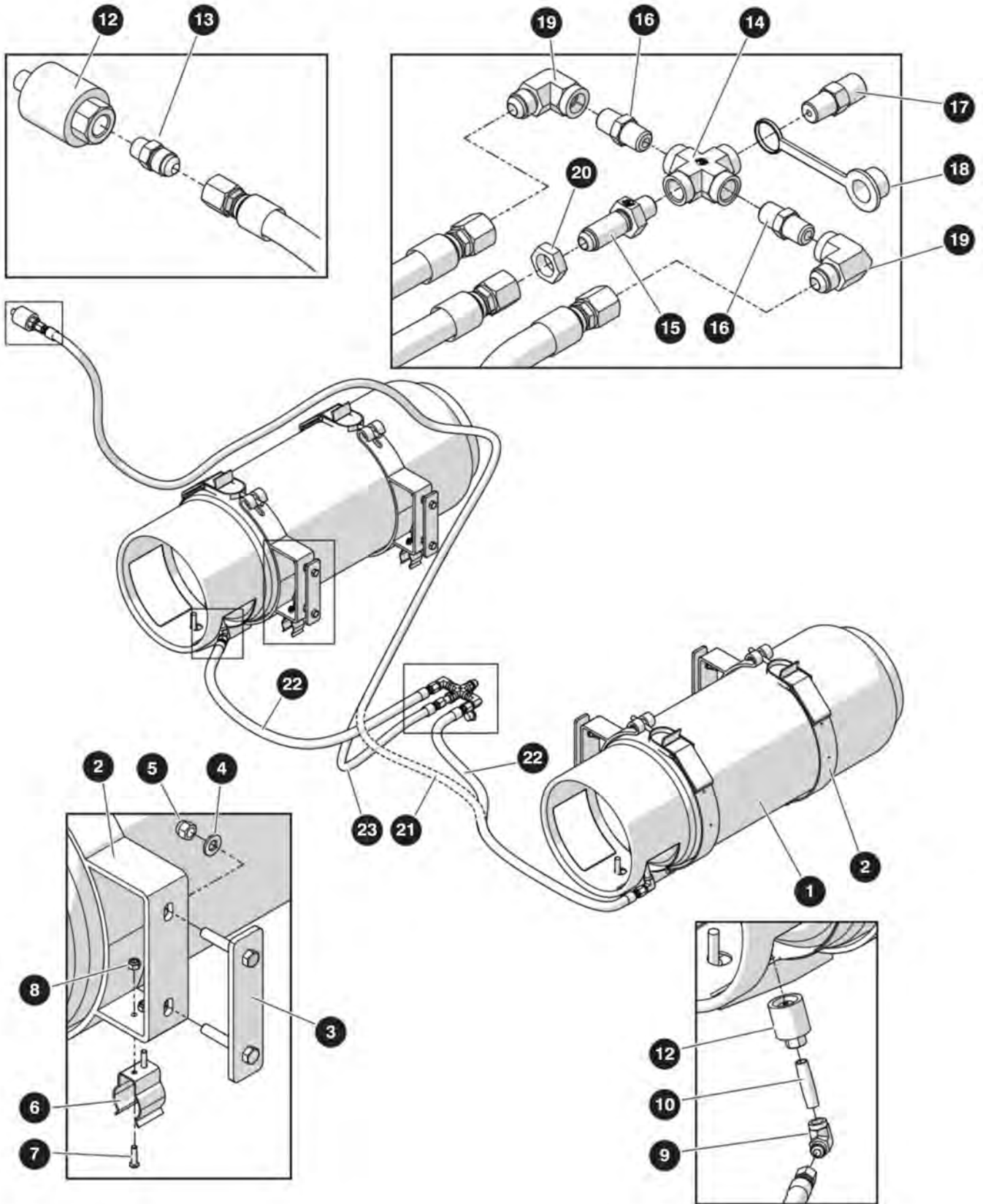
6.6 Regulator/Vaporizer Mount and Hoses



6.6 Regulator/Vaporizer Mount and Hoses

Index No.	Skyjack Part No.	Qty.	Description
-	-	1	REGULATOR VAPORIZER MOUNT - <i>Kubota WG972</i>
1	220439	1	<ul style="list-style-type: none"> • WLDT, VAPORIZER BRACKET
2	220412	1	<ul style="list-style-type: none"> • PLATE, VAPORIZER MOUNTING
3	300797	17.25	<ul style="list-style-type: none"> • HOSE 3/8 IN 6 HORIZON 200
4	300797	20.5	<ul style="list-style-type: none"> • HOSE 3/8 IN 6 HORIZON 200
5	165927	4	<ul style="list-style-type: none"> • M6 VIBRATION DAMPING MOUNT
6	217578	4	<ul style="list-style-type: none"> • NUT HEX M6 X 0.75 CL 8 ZP
7	121758	6	<ul style="list-style-type: none"> • WASHER LOCK M6-PLATED DIN 127B
8	217398	2	<ul style="list-style-type: none"> • BOLT, HEX HD M6 X 1 X 45 CL 8.8 FT ZP
9	217876	2	<ul style="list-style-type: none"> • BOLT, HEX HD M8 X 1.25 X 20 CL 10.9 DIN 933
10	116218	2	<ul style="list-style-type: none"> • WASHER LOCK M8-PLATED DIN 127B
11	600190	3	<ul style="list-style-type: none"> • WASHER, FLAT M6 DIN 125 (600190)
12	600723	4	<ul style="list-style-type: none"> • BOLT, HEX HD M6 X 1 X 10, cl 8.8)
13	103321	2	<ul style="list-style-type: none"> • CLAMP, Gear
14	128917	17	<ul style="list-style-type: none"> • HOSE, LPG (1/2")
15	102519	2	<ul style="list-style-type: none"> • CLAMP, Gear (#6)

6.7 Propane Tank & Lines - Kubota WG972



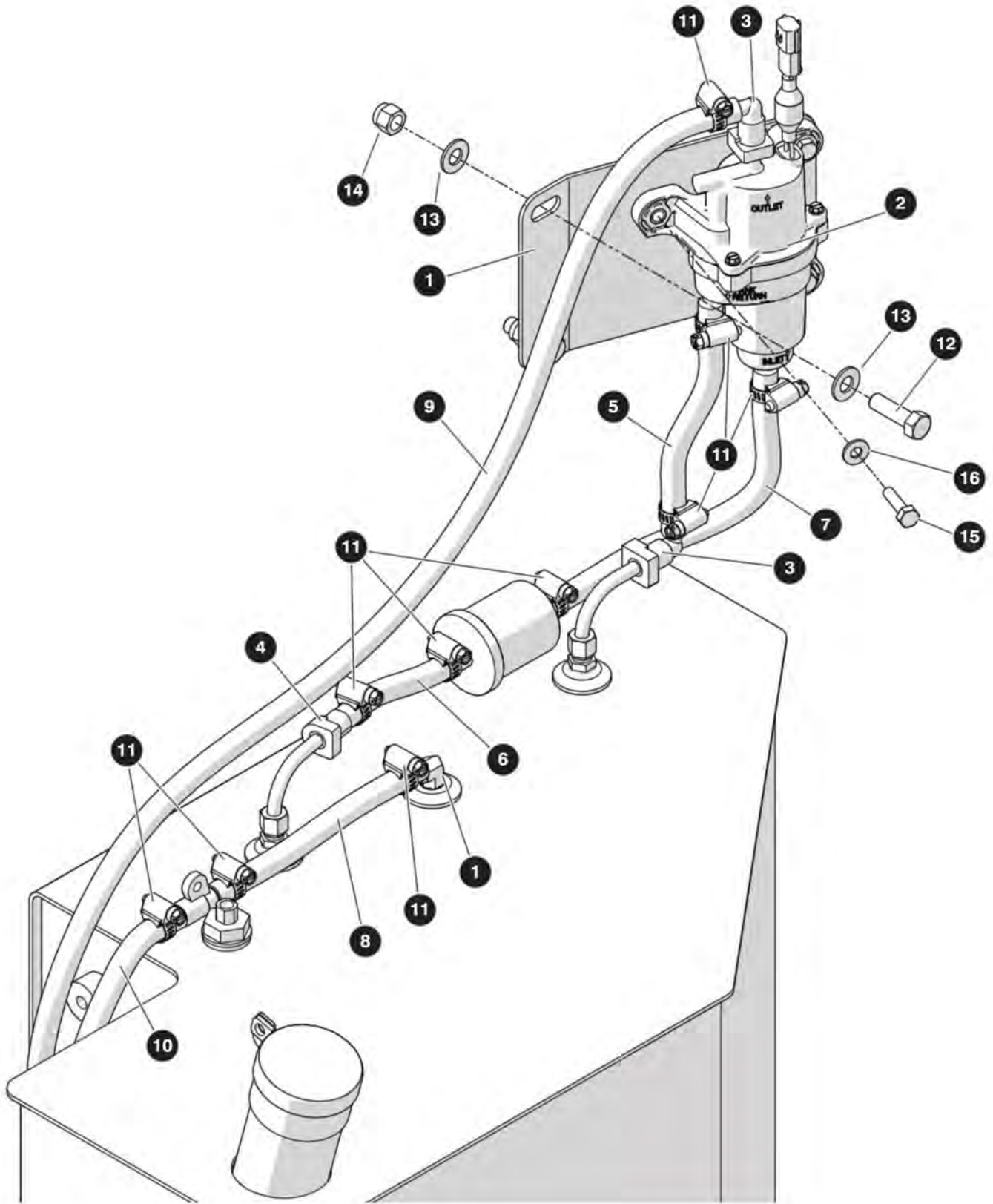
M238510AB

238271ACA

6.7 Propane Tank & Lines - Kubota WG972

Index No.	Skyjack Part No.	Qty.	Description
A	238509	1	SINGLE PROPANE TANK
B	238510	1	DOUBLE PROPANE TANKS
1	702253	1	• BOTTLE, Propane (43.5#), A
	702253	2	• BOTTLE, Propane (43.5#), B
2	144295	1	• MOUNTING, Propane bottle, A
	144295	2	• MOUNTING, Propane bottle, B
	221768	2	• • BRACKET, Propane tank
	221769	2	• • LATCH
	221770	1	• • PIN, Locating
	221771	2	• • SCREW, Sem
3	149029	2	• RETAINER, Propane mount, A
	149029	4	• RETAINER, Propane mount, B
4	125959	4	• WASHER, Flat hardened (3/8"), A
	125959	8	• WASHER, Flat hardened (3/8"), B
5	104606	4	• NUT, Hex lock (3/8"-16 Grade 5, nylon), A
	104606	8	• NUT, Hex lock (3/8"-16 Grade 5, nylon), B
6	137235	2	• CLIP, Gripper (1.5"-2.5 diameter), A
	137235	4	• CLIP, Gripper (1.5"-2.5 diameter), B
7	138834	4	• SCREW, Round head machine (#10-24 x 3/4"), A
	138834	8	• SCREW, Round head machine (#10-24 x 3/4"), B
8	126642	4	• NUT, Hex lock (#10-24 Grade 5, nylon), A
	126642	8	• NUT, Hex lock (#10-24 Grade 5, nylon), B
9	144334	1	• FITTING, Elbow 90° (06 SAE 45M - 04 NPTF), A
	144334	2	• FITTING, Elbow 90° (06 SAE 45M - 04 NPTF), B
10	143478	1	• NIPPLE, Brass (1/4 NPT x 2"), A
	143478	2	• NIPPLE, Brass (1/4 NPT x 2"), B
11	103006	1	• QUICK COUPLING, Female tank, A
	103006	2	• QUICK COUPLING, Female tank, B
12	125793	1	• VALVE, Shut off
13	103156	1	• FITTING, Straight (06 SAE 45M - 04 NPTM), A
-	235352	1	• PROPANE TEE, B
14	235350	1	• • FITTING, Cross (04NPTF-04NPTF-04NPTF-04NPTF)
15	235351	1	• • FITTING, Bulkhead (04NPTM-06JICM)
16	230931	2	• • VALVE, Check - 2 psi
17	130099	1	• • VALE, Relief - 04NPT
18	111622	1	• • CAP Rain
19	144334	2	• • FITTING, 90° (06JICM-04NPTF)
20	139157	1	• • FITTING, Bulkhead nut (06JIC)
21	211434	1	• HOSE, Propane (156"), A
22	103098	2	• HOSE, Propane (42"), B
24	211429	1	• HOSE, Propane (135"), B

6.8 Fuel Lines - Kubota WG972



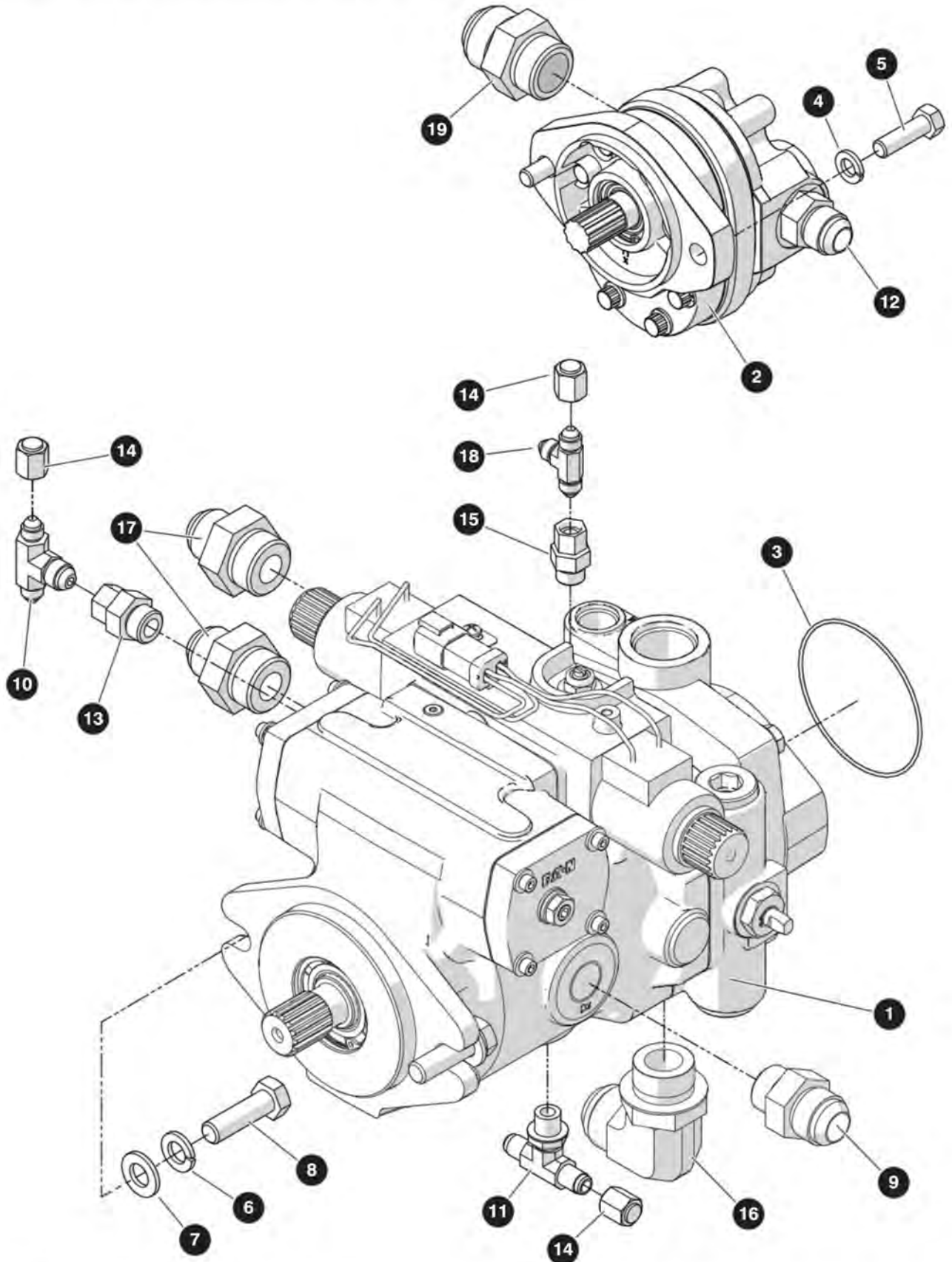
M238510AB

238271ACA

6.8 Fuel Lines - Kubota WG972

Index No.	Skyjack Part No.	Qty.	Description
*	238517	1	FUEL LINES - Kubota WG972
1	238518	1	• BRACKET, Mount - fuel pump
2	237610	1	• FUEL PUMP, Gasoline
3	142398	2	• FITTING, 90° quick connect - fuel
4	142397	1	• FITTING, Straight quick connect - fuel
5	142405	7"	• FUEL LINE (5/16")
6	142405	5"	• FUEL LINE (5/16")
7	142405	10"	• FUEL LINE (5/16")
8	142405	7"	• FUEL LINE (5/16")
9	142405	120"	• FUEL LINE (5/16")
10	142405	115"	• FUEL LINE (5/16")
11	103321	12	• CLAMP, Gear
12	101297	2	• BOLT, Hex head (3/8"-16 x 1-1/4", gr 5)
13	103472	4	• WASHER, Flat (3/8")
14	104606	2	• NUT, Lock (3/8"-16, gr 5)
15	103857	3	• BOLT, Hex head (1/2"-20 x 1", gr 5)
16	103995	3	• WASHER, Flat (3/8")

6.9 Drive & System Pumps



M238498AB

238271ACA

6.9 Drive & System Pumps

Index No.	Skyjack Part No.	Qty.	Description
-	238498	1	DRIVE & SYSTEM PUMPS
1	170599	1	• PUMP, Drive
2	161963	1	• PUMP, System
3	162387	1	• O-RING (3-1/4" x 1/16")
4	103999	2	• WASHER, Lock (3/8")
5	101297	2	• BOLT, Hex head (3/8"-16 x 1-1/4", gr 5)
6	600549	2	• WASHER, Lock (M12)
7	600426	2	• WASHER, Flat (M12)
8	217892	2	• BOLT, Hex head (M12 x 1.75 x 40, cl 10.9)
9	702118	1	• FITTING, Straight (12JICM-12ORBM)
10	162044	1	• FITTING, Tee (04JICM-04JICM-06JICM)
11	148490	1	• FITTING, Brach tee (04JICM-04JICM-06ORBM)
12	137630	1	• FITTING, Straight (10JICM-10ORBM)
13	162043	1	• FITTING, Straight (06JICFS-08ORBM)
14	131286	3	• FITTING, Cap (04JICF)
15	160885	1	• FITTING, Straight (06 ORBM-04 JICFS)
16	707040	1	• FITTING, 90° (16JICM-16ORBM)
17	702122	2	• FITTING, Straight (12JICM-16ORBM)
18	131697	1	• FITTING, Tee (04JICM)
19	138667	1	•
20	160637	1	SEAL KIT, Drive Pump

Section 7 – Electrical Harnesses

7.1 *Main Electrical & Fuel Level Switch Harnesses*

7.2 *Engine Harness - Kubota D1305*

7.3 *Engine Fuse Box - Kubota D1305*

7.4 *Engine Harness - Kubota WG972*

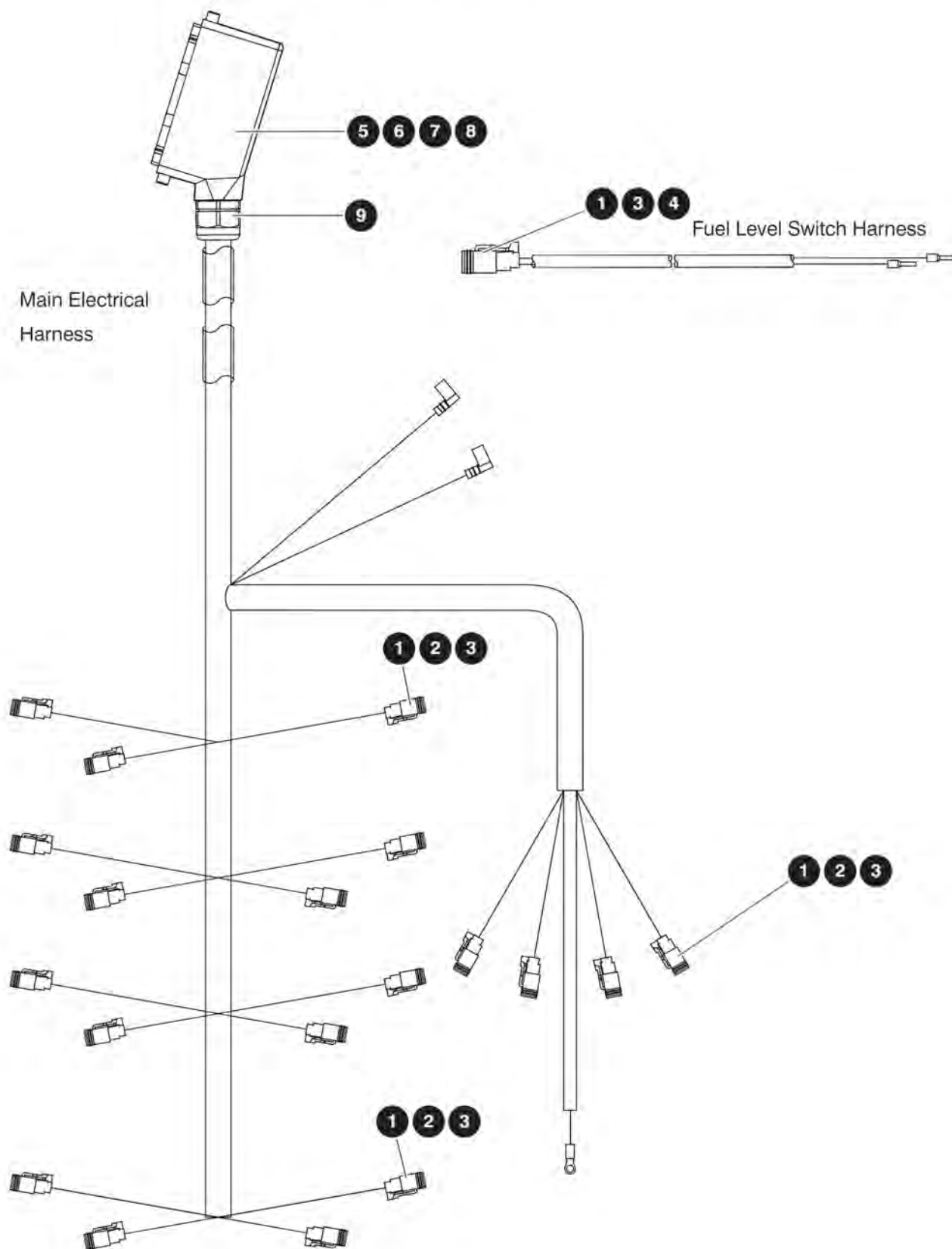
7.5 *ECU Power Harness - Kubota WG972*

7.6 *Fuel Pump Harness - Kubota WG972*

7.7 *Battery Cables*

7.9 *Jib & Platform Rotate Valve Harnesses*

7.1 Main Electrical & Fuel Level Switch Harnesses



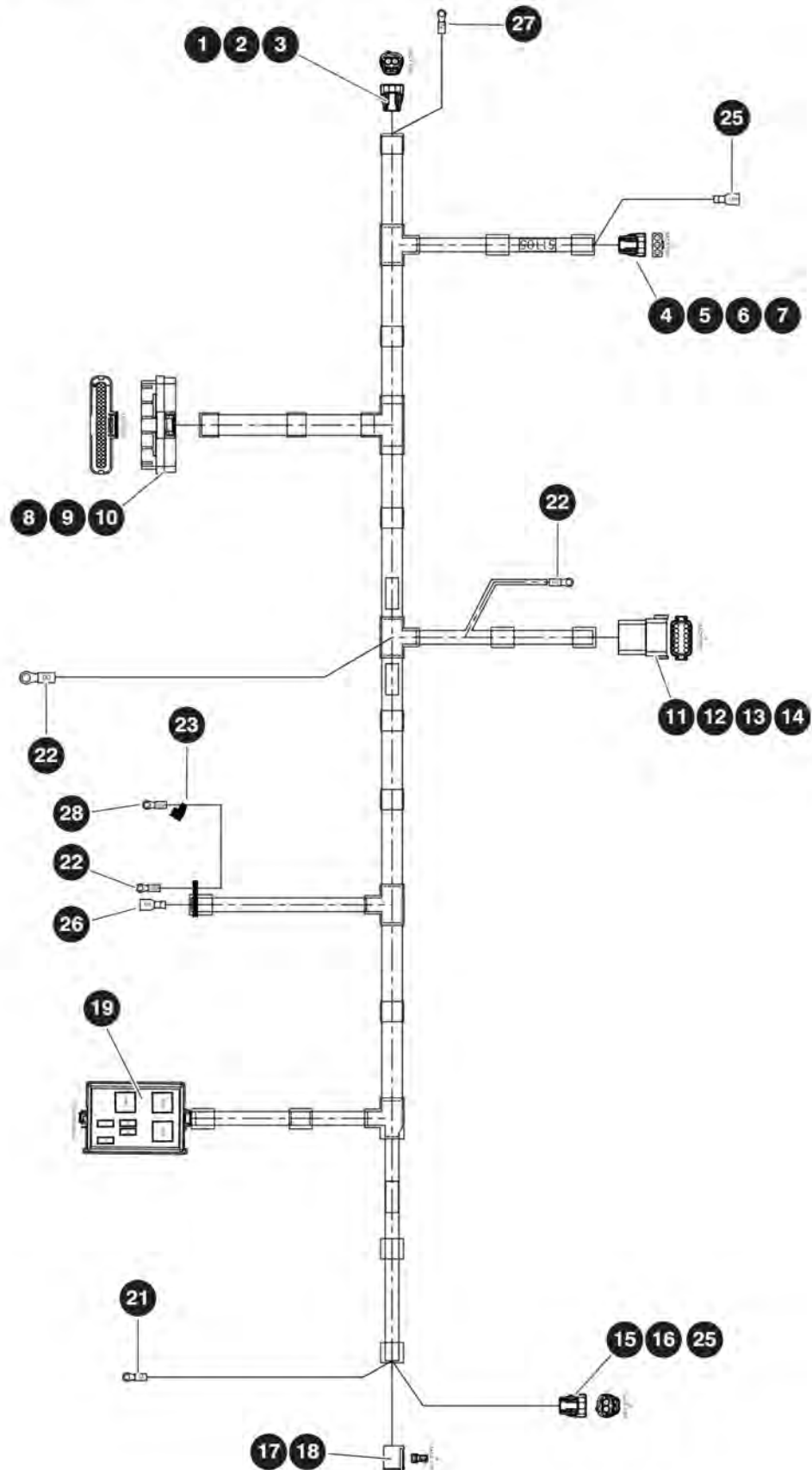
M149012AA

238271ACA

7.1 Main Electrical & Fuel Level Switch Harnesses

Index No.	Skyjack Part No.	Qty.	Description
A	218488	1	HARNESS, Main electrical
B	218487	1	HARNESS, Fuel level switch
1	117597	19	• PLUG, Deutsch (2-pin), A
		1	• PLUG, Deutsch (2-pin), B
2	117591	38	• SOCKET, Deutsch (16/18 GA)
3	117599	19	• WEDGE, Deutsch (2-pin), A
		1	• WEDGE, Deutsch (2-pin), B
4	117590	2	• CONNECTOR, Contact (16-18)
5	138753	1	• HOOD, Side 24 pole (M32)
6	138755	1	• PLUG, 24 pole spring (16A)
7	115401	21	• FERULE (18GA)
8	138044	4	• FERULE (14GA)
9	138754	1	• STRAIN, RELIEF (M32 x 1.5)

7.2 Engine Harness - Kubota D1305



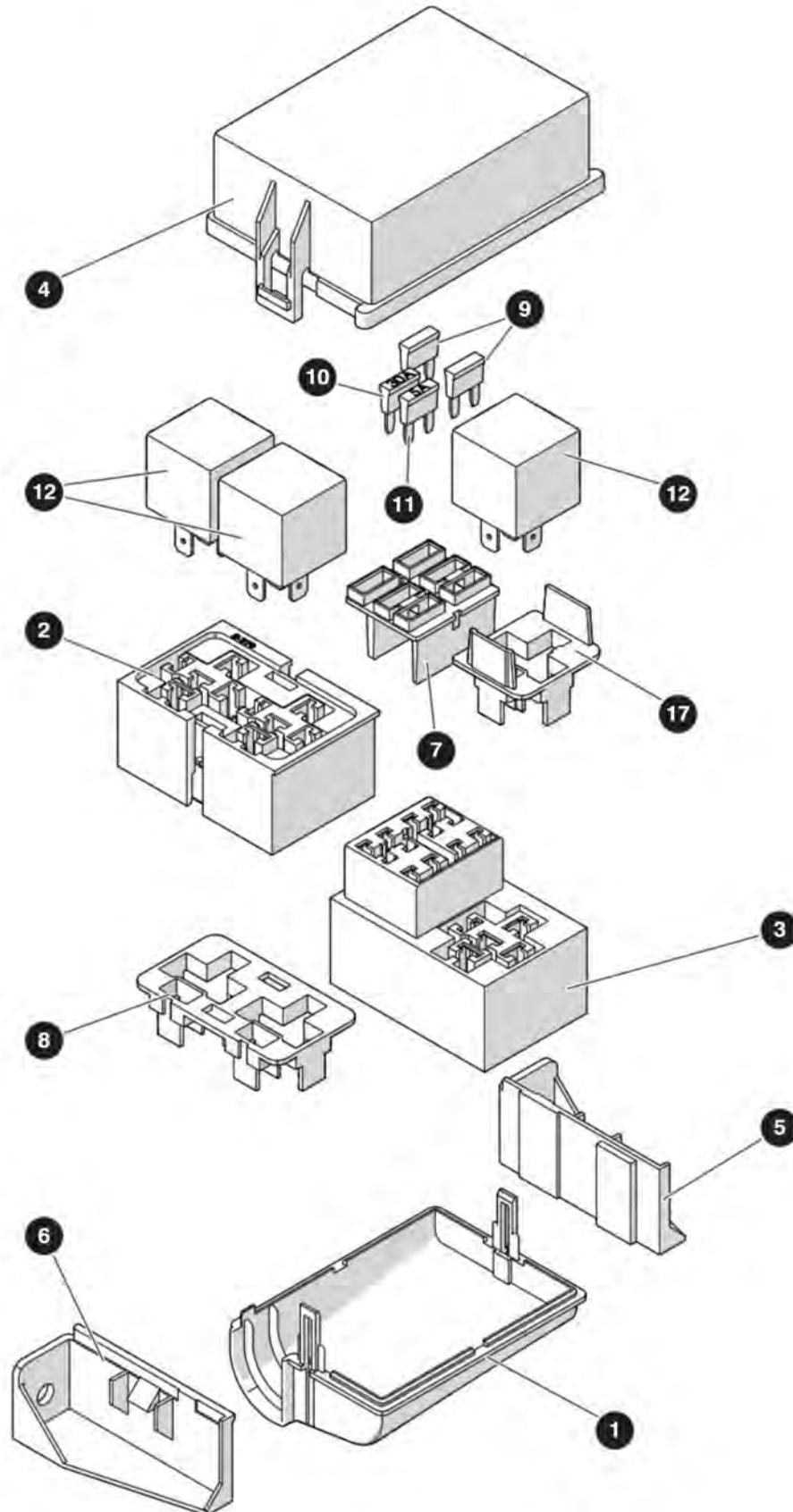
M218405AD-1

238271ACA

7.2 Engine Harness - Kubota D1305

Index No.	Skyjack Part No.	Qty.	Description
-	236167	1	ENGINE HARNESS
1	215850	1	• CONNECTOR, 2 Pole - automotive
2	215852	2	• CONTACT, Female - automotive
3	215853	2	• SEAL, Wire - automotive
4	215864	1	• CONNECTOR, 3 Pole - automotive
5	215866	3	• CONTACT, Female - automotive
6	215867	3	• SEAL, Wire - automotive
7	215865	1	• CONNECTOR, Rear holder
8	215868	1	• CONNECTOR, 44 position - ECU
9	215869	22	• CONTACT, Female - ECU
10	215870	22	• PLUG, Wire - ECU
11	117586	1	• CONNECTOR, Receptacle (12 pin)
12	117588	1	• CONNECTOR, Receptacle - wedge (12 pin)
13	117590	7	• CONNECTOR, Contact (PIN 16 - 18)
14	117594	5	• CONNECTOR, Sealing plug
15	215871	1	• CONNECTOR, 2 Pole - automotive
16	215872	2	• CONTACT, Female - automotive
17	215874	1	• CONNECTOR, 2 Pole - alternator
18	215875	2	• CONTACT, Female - alternator
19	(Ref.)	1	• FUSEBOX (For components, refer to 7.3 Engine Fuse Box - Kubota D1305)
20	105568	1	• TERMINAL, Female - yellow 10-12 AWG
21	216788	1	• TERMINAL, Ring - red 18-22 GA
22	108172	2	• TERMINAL, Ring 10-12 GA
23	117696	1	• BOOT, Terminal
24	114595	1	• TERMINAL, Female 18-22 GA
25	238414	2	• WIRE SEAL, Amp
26	102940	1	• TERMINAL, Ring - 5/16" 10-12 GA
27	108171	1	• TERMINAL, Ring - yellow #10 10-12 GA
28	102942	1	• TERMINAL, Ring - yellow 1/4" 10-12 AWG

7.3 Engine Fuse Box - Kubota D1305



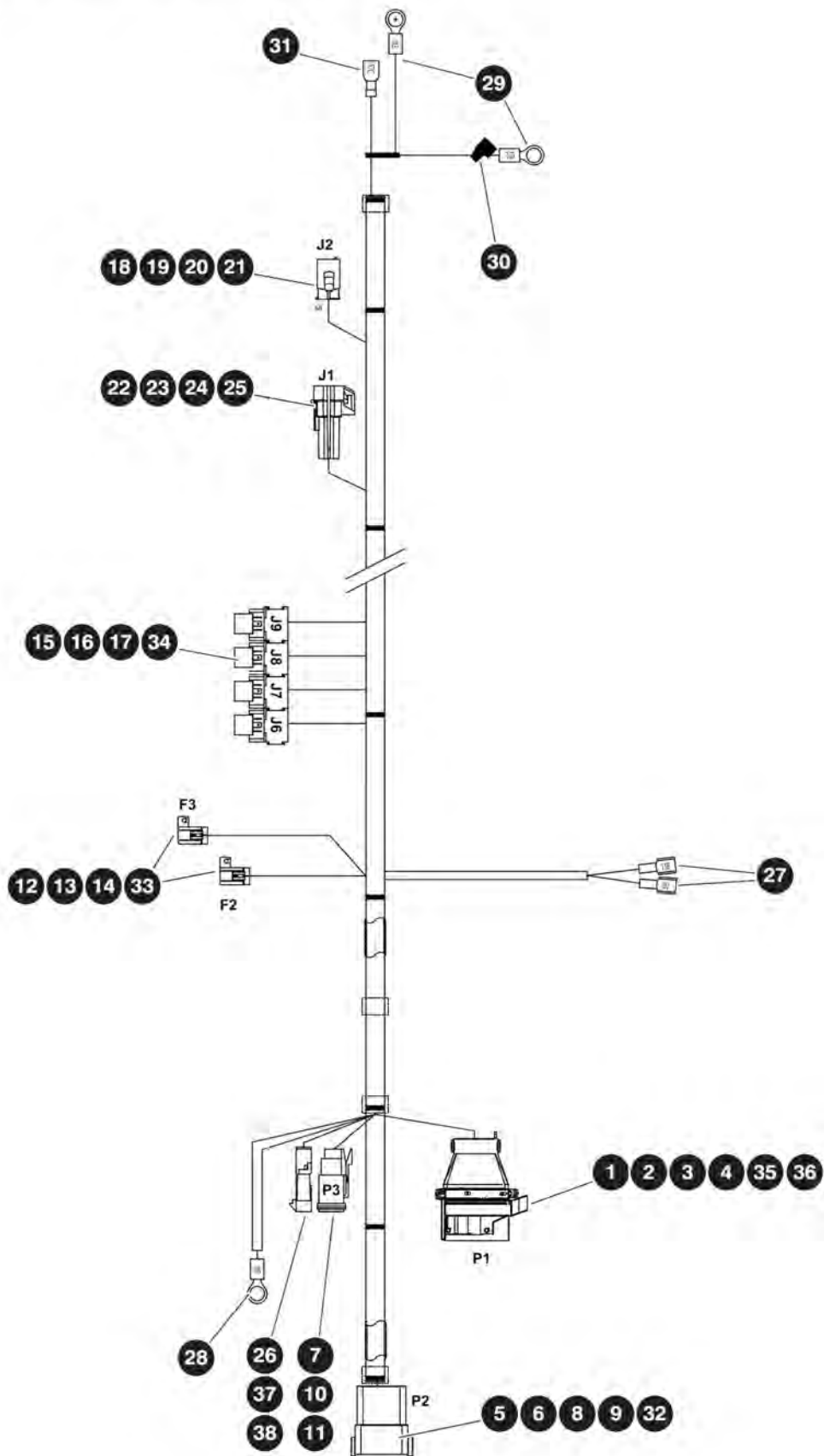
M236168AB

238271ACA

7.3 Engine Fuse Box - Kubota D1305

Index No.	Skyjack Part No.	Qty.	Description
-	236168	1	FUSE BOX
1	198654	1	<ul style="list-style-type: none"> • COVER, Fuse box - bottom
2	198646	1	<ul style="list-style-type: none"> • BLOCK, Fuse box - dual ISO relay
3	198647	1	<ul style="list-style-type: none"> • BLOCK, Fuse box - ISO relay, 6 fuses
4	198651	1	<ul style="list-style-type: none"> • COVER, Fuse box - top
5	198652	1	<ul style="list-style-type: none"> • BRACKET, Fuse box - RH
6	198653	1	<ul style="list-style-type: none"> • BRACKET, Fuse box - LH
7	198649	1	<ul style="list-style-type: none"> • SPACER, Half module - mini fuse
8	198650	1	<ul style="list-style-type: none"> • SPACER, ISO relay
9	170626	2	<ul style="list-style-type: none"> • FUSE, ATM - 10A
10	198727	1	<ul style="list-style-type: none"> • FUSE, ATM - 30A
11	198725	1	<ul style="list-style-type: none"> • FUSE, ATM - 5A
12	127131	3	<ul style="list-style-type: none"> • RELAY, 12V 40 AMP
13	198657	4	<ul style="list-style-type: none"> • TERMINAL, Female - ISO relay (14/16 AWG) (not shown)
14	198658	4	<ul style="list-style-type: none"> • TERMINAL, Female - ISO relay (18/20 AWG) (not shown)
15	198662	1	<ul style="list-style-type: none"> • TERMINAL, Female - mini fuse (18/20 AWG) (not shown)
16	198661	5	<ul style="list-style-type: none"> • TERMINAL, Female - mini fuse (14/16 AWG) (not shown)
17	198648	1	<ul style="list-style-type: none"> • SPACER, Half module - ISO relay
18	198655	4	<ul style="list-style-type: none"> • TERMINAL, Female - ISO relay (10/12 AWG) (not shown)
19	198660	2	<ul style="list-style-type: none"> • TERMINAL, Female - mini fuse (10/12 AWG) (not shown)

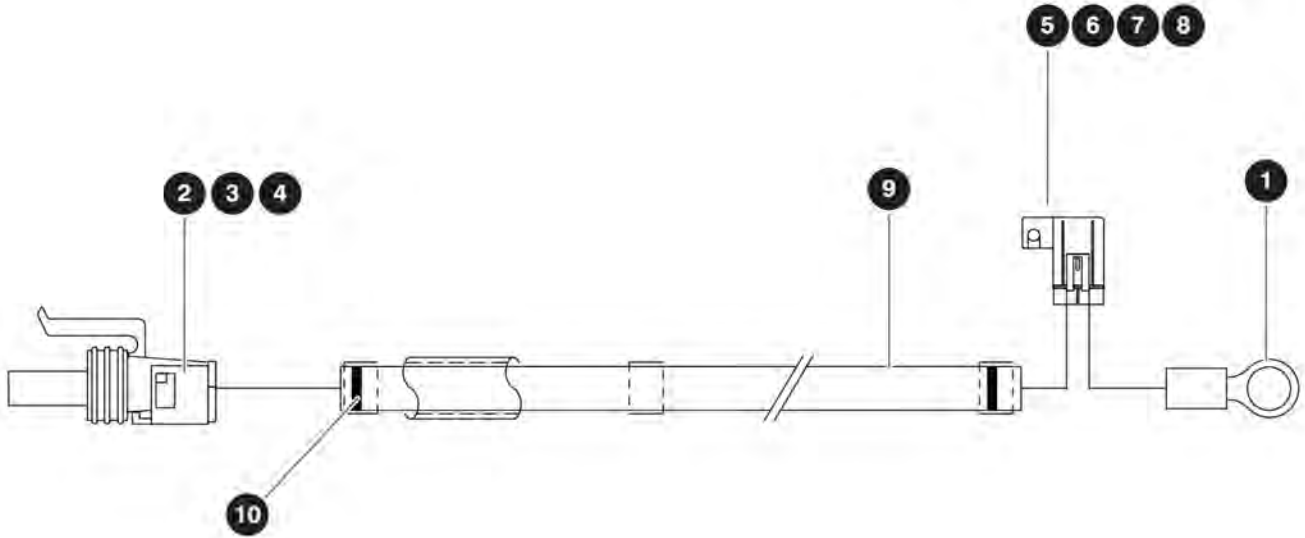
7.4 Engine Harness - Kubota WG972



7.4 Engine Harness - Kubota WG972

Index No.	Skyjack Part No.	Qty.	Description
-	238014	1	ENGINE HARNESS - Kubota WG972
1	163675	1	• CONNECTOR (42M)
2	163676	11	• TERMINAL, Female (18 - 20 GA)
3	156173	4	• TERMINAL, Female (2.5 - 1.5 mm ²)
4	156174	4	• TERMINAL, Female (1.0 - 0.5 mm ²)
5	117586	1	• RECEPTACLE, Connector (12 pin)
6	117589	1	• CONNECTOR, Plug - wedge (12 pin)
7	117591	2	• SOCKET, Connector contact (16-18)
8	117592	3	• CONNECTOR, contact pin (14-16)
9	117594	5	• CONNECTOR, Sealing plug
10	117597	1	• CONNECTOR, Plug (2 PIN)
11	117599	1	• CONNECTOR, Plug - wedge (2 pin)
12	157850	2	• CONNECTOR, 2F Fuse holder
13	157851	4	• TERMINAL, Female (2.5 - 1.5 mm ²)
14	156117	2	• COVER, Inline autofuse
15	138749	4	• SOCKET, Relay - automotive
16	126808	11	• TERMINAL, Female (14 - 18 GA)
17	163677	5	• TERMINAL, Female (12 - 16 GA)
18	141581	1	• CONNECTOR, 3 way socket
19	141582	1	• TERMINAL, Female (1.25 - 0.5 mm ²)
20	142183	1	• SEAL, Wire (2.7 - 1.8 mm)
21	156167	2	• PLUG, Cavity
22	166481	1	• CONNECTOR, 4M, 150 M/P
23	163679	1	• TPA (4W)
24	163680	4	• TERMINAL, Male (0.8 - 0.5 mm ²)
25	156146	4	• SEAL, Wire (2.9 - 2.0 mm)
26	156106	1	• CONNECTOR (1M)
27	114595	2	• TERMINAL, Female (18 - 22 AWG)
28	108172	1	• TERMINAL, Ring (10 - 12 GA x 3/8")
29	238222	1	• WIRE ASSEMBLY, Fuse link
30	117696	1	• TERMINAL, Boot
31	105359	1	• TERMINAL, Female (14 - 16 GA)
32	117590	4	• PIN, Connector contact (16-18)
33	156202	2	• FUSE (5A)
34	127131	4	• RELAY (12 V, 40 A)
35	166583	1	• BACKSHELL
36	166584	1	• SEAL, Inner
37	156116	1	• TERMINAL, Male (3.0 - 2.0 mm ²)
38	157868	1	• SEAL, Wire (4.3 - 3.5 mm)
39	117590	4	• PIN, Connector contact (16-18)

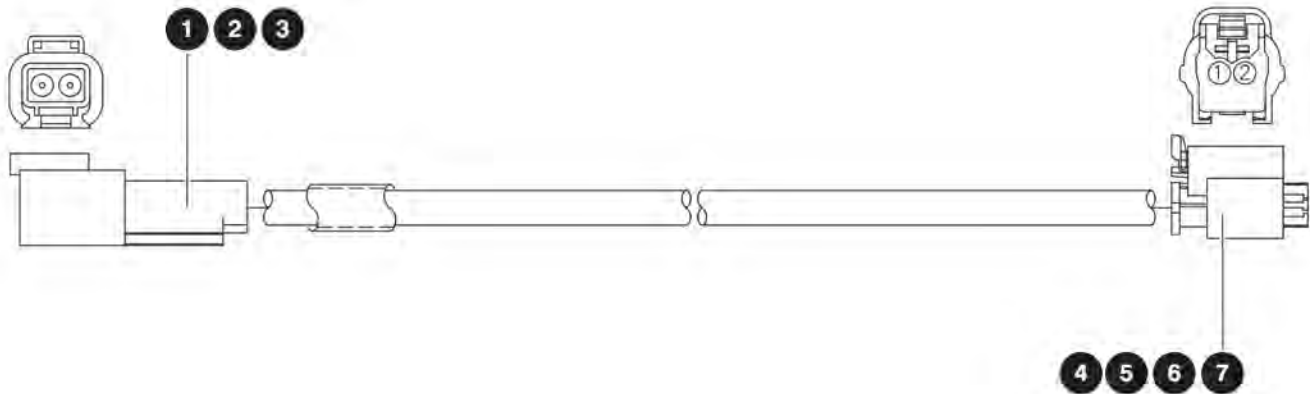
7.5 ECU Power Harness - Kubota WG972



M166776AA

Index No.	Skyjack Part No.	Qty.	Description
-	166776	1	ECU POWER HARNESS - Kubota WG972
1	108172	1	• TERMINAL, Ring (10 - 12 GA, 3/8")
2	156108	1	• CONNECTOR, Female
3	156138	1	• TERMINAL, Female
4	157868	1	• SEAL, Wire
5	156127	1	• CONNECTOR, Female - Fuse holder
6	156118	2	• TERMINAL, Female
7	156117	1	• COVER, Inline autofuse
8	156164	1	• FUSE (30 A)
9	124399	183"	• PROTECTOR, Wire (1/4")
10	113719	2	• TIEWRAP (3 - 5/8")

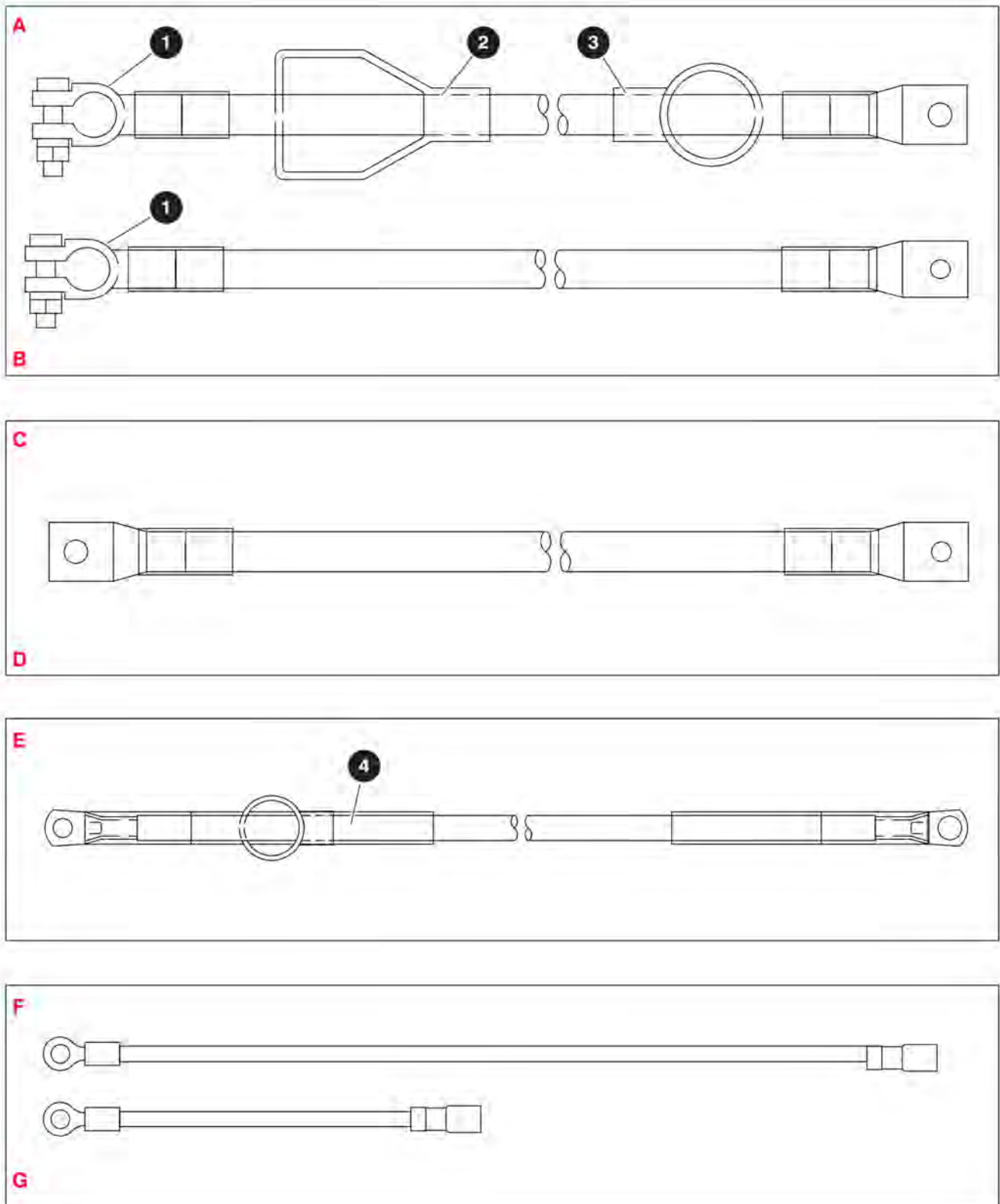
7.6 Fuel Pump Harness - Kubota WG972



M238418AB

Index No.	Skyjack Part No.	Qty.	Description
-	238418	1	FUEL PUMP HARNESS - Kubota WG972
1	117596	1	• RECEPTACLE, Connector - deutsch 2 pin
2	117590	2	• PIN, Contact (16/18 GA)
3	117598	1	• WEDGE, Receptacle - deutsch 2 pin
4	238405	1	• CONNECTOR, 2 pole plug
5	166626	2	• SEAL, Wire - green (2-1.4 mm)
6	215872	1	• CONTACT, Female - automotive
7	238406	1	• PLATE, Connector 2P

7.7 Battery Cables



M167488AB1

238271ACA

7.7 Battery Cables

Index No.	Skyjack Part No.	Qty.	Description
A	138700	1	BATTERY CABLE (battery positive to battery disconnect)
B	238430	1	BATTERY CABLE (battery negative to turret ground)
C	238393	1	BATTERY CABLE (battery disconnect to starter)
D	238394	1	BATTERY CABLE (turret ground to starter)
E	138704	1	BATTERY CABLE (Emergency pump to battery disconnect)
F	152344	1	WIRE ASSEMBLY (Charge indicator, 00)
G	152345	1	WIRE ASSEMBLY (Charge indicator, 03)
1	139030	1	• POST CLAMP, Battery (#2/0 positive), A
	139031	1	• POST CLAMP, Battery (#2/0 negative), B
2	139032	1	• POST BOOT, Battery (#2/0 red), A
3	139105	1	• TERMINAL BOOT (#2/0 red), A
4	139106	1	• TERMINAL BOOT (#1 red), D

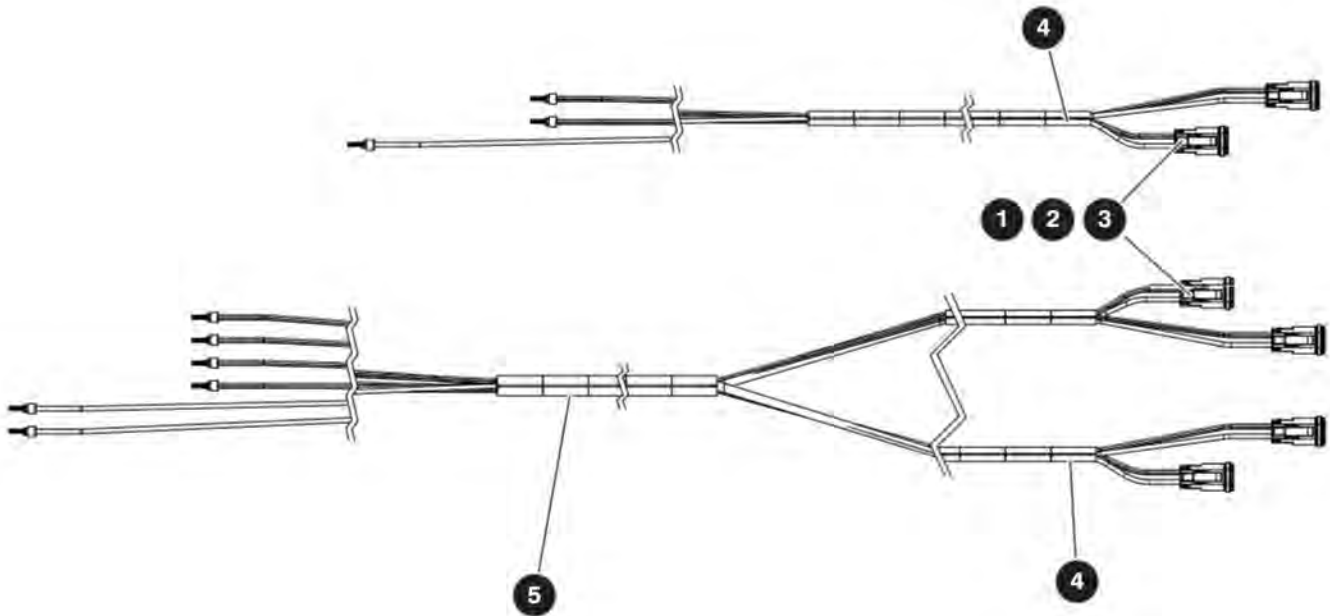
7.8 Control & CANbus Cables



M218659AA

Index No.	Skyjack Part No.	Qty.	Description
1	218486	1	CONTROL CABLE (960")
2	218485	1	CANBUS CABLE (960")

7.9 Jib & Platform Rotate Valve Harnesses



M167740AB_M167698AB

Index No.	Skyjack Part No.	Qty.	Description
-	167698	1	HARNESS, Jib and platform rotate
1	117597	4	• CONNECTOR, Plug 2-pin
2	117599	4	• WEDGE, Connector plug 2-pin
3	117591	8	• SOCKET, Contact - connector plug 2-pin
4	124399	38"	• PROTECTOR, Wire (1/4")
5	111354	120"	• PROTECTOR, Wire (3/8")

Section 8 – Hydraulic Hoses

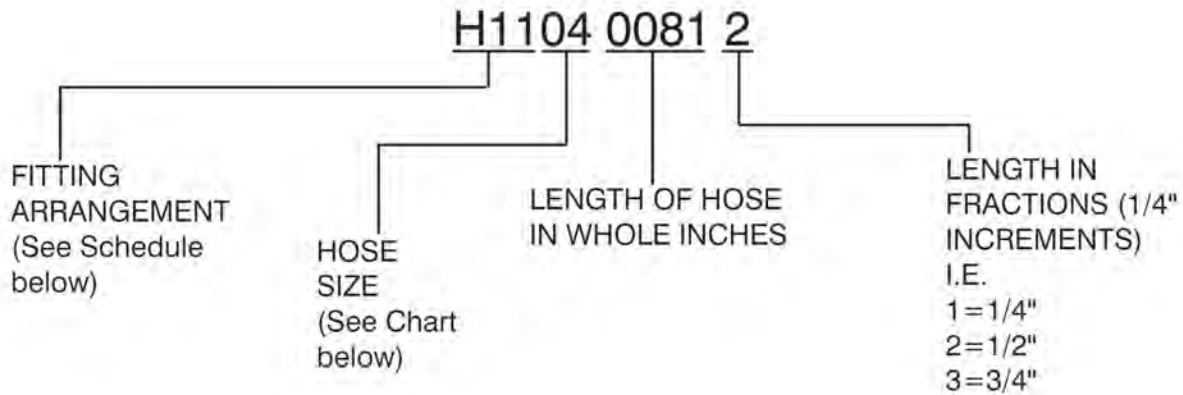
8.1 *Standard Hose Numbering System*

8.2 *Boom Hoses*

8.3 *Turret Hoses*

8.4 *Base Hoses*

8.1 Standard Hose Numbering System



Using the number above as an example, H1104 0081 2, this hose requires a 37° JIC female swivel fitting on one end, and a medium length 90° JIC female swivel fitting for the other end. The hose must meet or exceed the S.A.E. 100R13 hose specification, and be a total of 81-1/2" long.



NOTE

Hose ends and hose must be from same manufacturer per S.A.E. J1273 Nov. '91, Sections 3.10 and 4.2. Hose ends and hose must be of the same size i.e. #4 size fittings must be used with #4 size hose.

Hose Size Chart

Size	03	04	06	08	10	12	16	20	24	32	40	48	56	64
ID	3/16"	1/4"	3/8"	1/2"	5/8"	3/4"	1"	1-1/4"	1-1/2"	2"	2-1/2"	3"	3-1/2"	4"

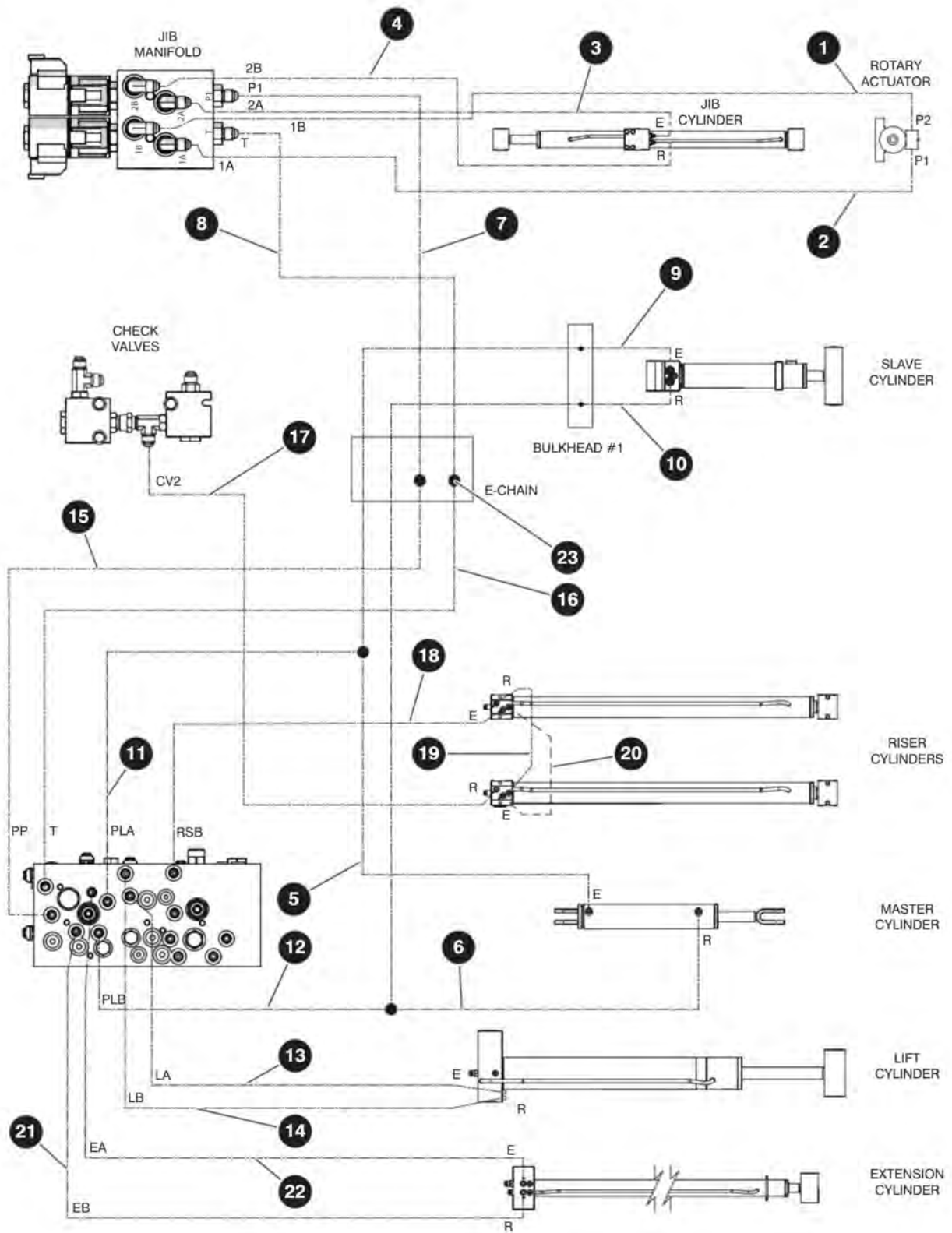
Fitting Arrangement Schedule

Hose Prefix	Hose End Fitting	Hose End Fitting	S.A.E. Hose Specification
H01	FEMALE, 37° JIC, SWIVEL	FEMALE, 37° JIC, SWIVEL	100R17
H02	FEMALE, 37° JIC, SWIVEL	FEMALE, 37° JIC, SWIVEL	100R13
H03	FEMALE, 37° JIC, SWIVEL	45°, FEMALE, 37° JIC, SWIVEL	100R17
H04	FEMALE, 37° JIC, SWIVEL	45°, FEMALE, 37° JIC, SWIVEL	100R13
H05	FEMALE, 37° JIC, SWIVEL	LONG 90°, FEMALE, 37° JIC, SWIVEL	100R17
H06	FEMALE, 37° JIC, SWIVEL	SHORT 90°, FEMALE, 37° JIC, SWIVEL	100R17
H07	LONG 90°, FEMALE, 37° JIC, SWIVEL	LONG 90°, FEMALE, 37° JIC, SWIVEL	100R17
H08	FEMALE, 37° JIC, SWIVEL	FEMALE, 37° JIC, SWIVEL	100R4
H09	FEMALE, 37° JIC, SWIVEL	45°, FEMALE, 37° JIC, SWIVEL	100R4
H10	FEMALE, 37° JIC, SWIVEL	MALE PIPE THREAD FITTING	100R17
H11	FEMALE, 37° JIC, SWIVEL	MEDIUM 90°, FEMALE, 37° JIC, SWIVEL	100R13
H12	SHORT 90°, FEMALE, 37° JIC, SWIVEL	SHORT 90°, FEMALE, 37° JIC, SWIVEL	100R17
H13	FEMALE, 37° JIC, SWIVEL	REUSABLE MALE PIPE THREAD FITTING	300 PSI
H14	REUSABLE MALE PIPE THREAD FITTING	NO FITTING	300 PSI
H15	REUSABLE FEMALE, 37° JIC, SWIVEL	REUSABLE FEMALE, 37° JIC, SWIVEL	300 PSI
H16	NO FITTING	NO FITTING	100R4
H17	NO FITTING	NO FITTING	300 PSI
H18	REUSABLE, FEMALE, 37° JIC, SWIVEL	NO FITTING	300 PSI

8.1 Standard Hose Numbering System

Hose Prefix	Hose End Fitting	Hose End Fitting	S.A.E. Hose Specification
H19	LONG 90°, FEMALE, 37° JIC, SWIVEL	FEMALE, 37° JIC, SWIVEL	100R13
H20	FEMALE, SHORT 37° JIC, SWIVEL	SHORT 90°, FEMALE, 37° JIC, SWIVEL	100R4
H21	FEMALE, SHORT 37° JIC, SWIVEL	SHORT 90°, FEMALE, 37° JIC, SWIVEL	100R2AT
H22	FEMALE, 37° JIC, SWIVEL	FEMALE, 37° JIC, SWIVEL	100R2AT
H23	FEMALE, LONG 37° JIC, SWIVEL	LONG 90°, FEMALE, 37° JIC, SWIVEL	100R2AT
H24	FEMALE, SHORT 37° JIC, SWIVEL	SHORT 90°, FEMALE, 37° JIC, SWIVEL	100R13
H25	FEMALE, 37° JIC, SWIVEL	FEMALE, 37° JIC, SWIVEL	100R4
H30	MEDIUM 90°, FEMALE, 37° JIC, SWIVEL	FEMALE, 37° JIC, SWIVEL	100R17
H31	FEMALE, 37° JIC, SWIVEL	FEMALE, 37° JIC, SWIVEL	100R17
H32	SHORT 45°, FEMALE, 37° JIC, SWIVEL	FEMALE, 37° JIC, SWIVEL	100R17
H33	MEDIUM 45°, FEMALE, 37° JIC, SWIVEL	FEMALE, 37° JIC, SWIVEL	100R17
H34	SHORT 90°, FEMALE, 37° JIC, SWIVEL	FEMALE, 37° JIC, SWIVEL	100R17
H35	MEDIUM 90°, FEMALE, 37° JIC, SWIVEL	FEMALE, 37° JIC, SWIVEL	100R17
H36	LONG 90°, FEMALE, 37° JIC, SWIVEL	FEMALE, 37° JIC, SWIVEL	100R17
H37	SHORT 45°, FEMALE, 37° JIC, SWIVEL	FEMALE, 37° JIC, SWIVEL	100R4
H38	SHORT 90°, FEMALE, 37° JIC, SWIVEL	FEMALE, 37° JIC, SWIVEL	100R4
H39	LONG 90°, FEMALE, 37° JIC, SWIVEL	FEMALE, 37° JIC, SWIVEL	100R4
H40	SHORT 90°, FEMALE, 37° JIC, SWIVEL	FEMALE, 37° JIC, SWIVEL	100R16
H43	FEMALE, 37° JIC, SWIVEL	FEMALE, 37° JIC, SWIVEL	100R16
H51	FEMALE, 37° JIC, SWIVEL	FEMALE, 37° JIC, SWIVEL	100R17
H52	SHORT 45°, FEMALE, 37° JIC, SWIVEL	FEMALE, 37° JIC, SWIVEL	100R17
H53	MEDIUM 45°, FEMALE, 37° JIC, SWIVEL	FEMALE, 37° JIC, SWIVEL	100R17
H54	SHORT 90°, FEMALE, 37° JIC, SWIVEL	FEMALE, 37° JIC, SWIVEL	100R17
H55	MEDIUM 90°, FEMALE, 37° JIC, SWIVEL	FEMALE, 37° JIC, SWIVEL	100R17
H56	LONG 90°, FEMALE, 37° JIC, SWIVEL	FEMALE, 37° JIC, SWIVEL	100R17
H57	SHORT 45°, FEMALE, SAE ORFS, SWIVEL	FEMALE, SAE ORFS, SWIVEL	100R13
H58	FEMALE, SAE ORFS, SWIVEL	FEMALE, SAE ORFS, SWIVEL	100R13
H59	MEDIUM 90°, FEMALE, SAE ORFS, SWIVEL	FEMALE, SAE ORFS, SWIVEL	100R13
H60	FEMALE, 37° JIC, SWIVEL	FEMALE, 37° JIC, SWIVEL	100R17
H61	FEMALE, 37° JIC, SWIVEL	FEMALE, 37° JIC, SWIVEL	100R16
H62	SHORT 90°, FEMALE, 37° JIC, SWIVEL	FEMALE, 37° JIC, SWIVEL	100R16
H63	MEDIUM 90°, FEMALE, 37° JIC, SWIVEL	FEMALE, 37° JIC, SWIVEL	100R16
H64	LONG 90°, FEMALE, 37° JIC, SWIVEL	FEMALE, 37° JIC, SWIVEL	100R16
H65	MEDIUM 67°, FEMALE, 37° JIC, SWIVEL	FEMALE, 37° JIC, SWIVEL	100R12
H66	FEMALE, 37° JIC, SWIVEL	NO FITTING	100R4
H67	FEMALE, 37° JIC, SWIVEL	FEMALE, 37° JIC, SWIVEL	100R19
H68	SHORT 45°, FEMALE, 37° JIC, SWIVEL	FEMALE, 37° JIC, SWIVEL	100R19
H69	MEDIUM 90°, FEMALE, 37° JIC, SWIVEL	FEMALE, 37° JIC, SWIVEL	100R19
H70	LONG 90°, FEMALE, 37° JIC, SWIVEL	FEMALE, 37° JIC, SWIVEL	100R19
H71	LONG 90°, FEMALE, SAE ORFS, SWIVEL	FEMALE, SAE ORFS, SWIVEL	100R15

8.2 Boom Hoses



M218924AD_M218929AC_M149103AG

238271ACA

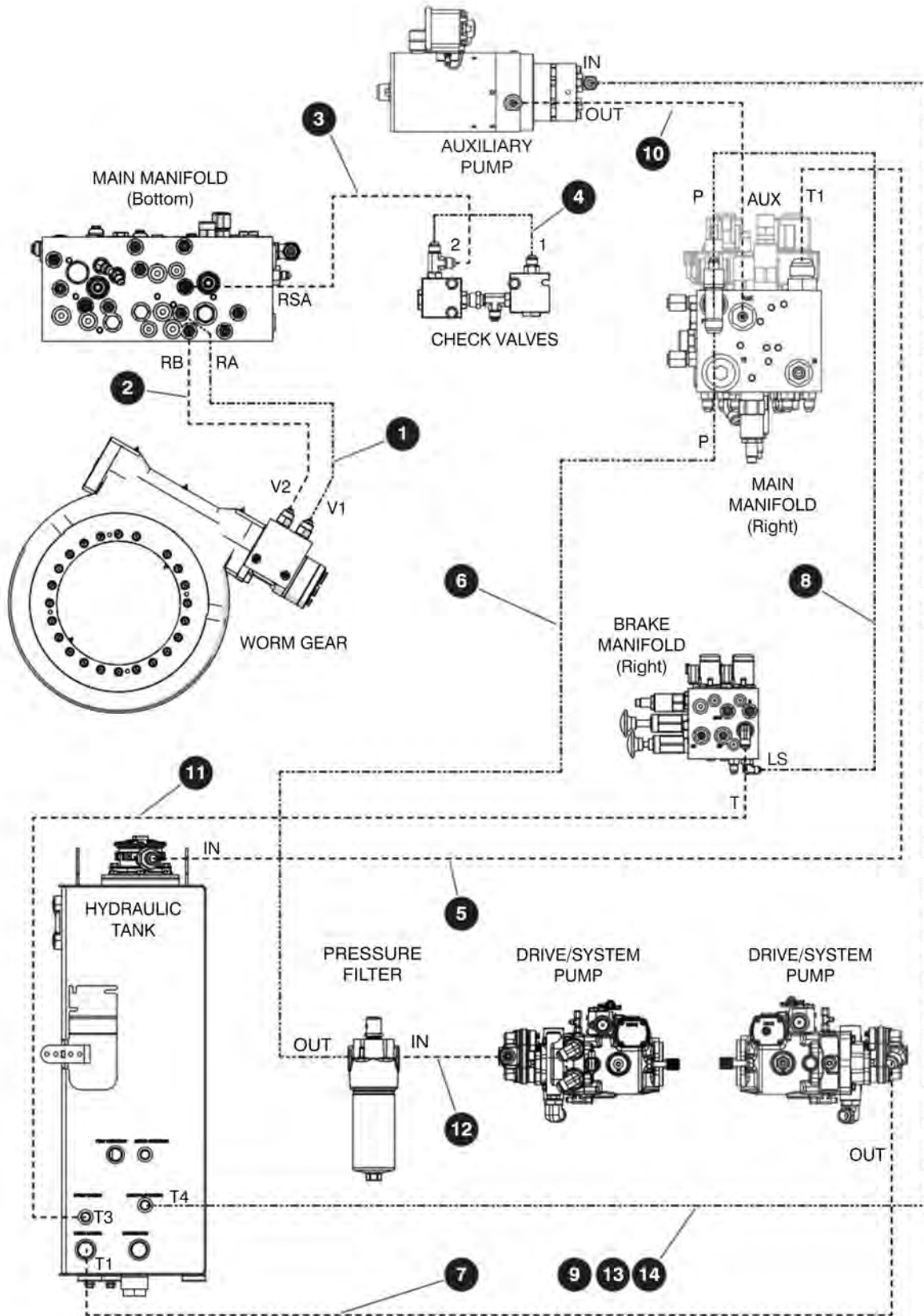
180

SJ45 AJ+
SKYJACK

8.2 Boom Hoses

Index No.	Hose P/N	From		To	
		Description	Port	Port	Description
-	218924	JIB HOSE KIT			
1	H3104 0096 0	Jib Manifold	1B	P2	Rotary Actuator
2	H3404 0102 0	Jib Manifold	1A	P1	Rotary Actuator
3	H3104 0077 0	Jib Manifold	2A	E	Jib Cylinder
4	H3104 0077 0	Jib Manifold	2B	R	Jib Cylinder
-	218929	BOOM HOSE KIT			
5	H3104 0219 0	Master Cylinder	E	-	Bulkhead 1 (Fly Boom)
6	H3104 0230 0	Master Cylinder	R	-	Bulkhead 1 (Fly Boom)
7	H3104 0210 0	Jib Manifold	T	-	Union
8	H3104 0210 0	Jib Manifold	P1	-	Union
9	H3104 0028 2	Slave Cylinder	E	-	Bulkhead 1 (Fly Boom)
10	H3104 0028 2	Slave Cylinder	R	-	Bulkhead 1 (Fly Boom)
-	149103	RISER HOSE KIT			
11	H3104 0380 0	Main Manifold	PLA	E	Master Cylinder
12	H3104 0360 0	Main Manifold	PLB	R	Master Cylinder
13	H3104 0380 0	Main Manifold	LA	E	Boom Lift Cylinder
14	H3104 0374 0	Main Manifold	LB	R	Boom Lift Cylinder
15	H3104 0392 0	Main Manifold	PP	-	Union
16	H3104 0392 0	Main Manifold	T	-	Union
17	H3206 0144 0	Check Valve	CV2	E	Riser Cylinder - RH
18	H3104 0144 0	Main Manifold	RSB	R	Riser Cylinder - LH
19	H3106 0031 0	Riser Cylinder LH - Return	R	R	Riser Cylinder RH - Return
20	H3106 0031 0	Riser Cylinder LH - Return	E	E	Riser Cylinder RH - Return
21	H3106 0346 0	Main Manifold	EB	R	Extension Cylinder
22	H3106 0346 0	Main Manifold	EA	E	Extension Cylinder
Index No.	Skyjack Part No.	Qty.	Description		
23	134835	2	FITTING, Straight (04 JICM - 04 JICM) (component of Riser Hose Kit)		
24	131732	48"	SLEEVE, Nylon hose protection (componen of E-Chain Hose Kit) (not shown)		
25	126128	2	FITTING (4 SAE - 04 JIC) (not shown)		

8.3 Turret Hoses



M238506AC_M237589AF

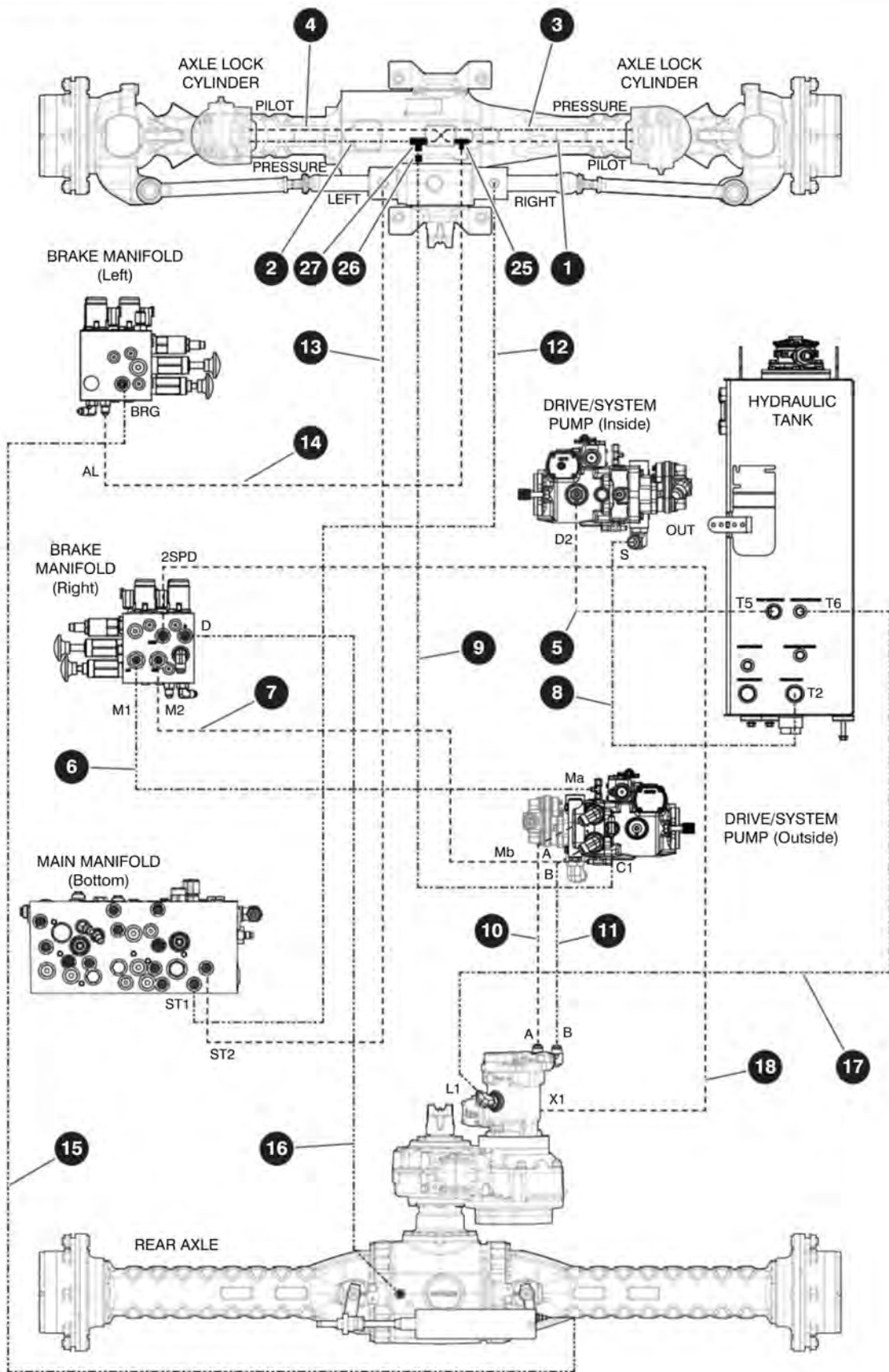
238271ACA

8.3 Turret Hoses

Index No.	Hose P/N	From		To	
		Description	Port	Port	Description
-	238506	TURRET HOSE KIT (with hoses from 8.4)			
1	H3404 0078 0	Main Manifold	RA	V1	Worm Gear
2	H3404 0078 0	Main Manifold	RB	V2	Worm Gear
3	H3206 0012 2	Main Manifold	RSA	2	Check Valve
4	H3106 0016 0	Check Valve	1	2	Check Valve
5	H5112 0030 0	Return Filter	IN	T1	Main Manifold
6	H5108 0086 0	Pressure Filter	OUT	P	Main Manifold
-	237589	SYSTEM & AUXILIARY PUMP HOSE KIT			
7	H3916 0063 0	System Pump	OUT	T1	Hydraulic Tank
8	H3204 0042 0	Main Manifold	P	LS	Brake Manifold
9	H1708 0007 0	Hydraulic Tank	T4	IN	Auxiliary Pump
10	H3404 0034 0	Auxiliary Pump	OUT	AUX	Main Manifold
11	H5106 0018 0	Brake Manifold	T	T3	Main Manifold
12	H5410 0025 0	Pressure Filter	IN	-	System Pump

Index No.	Skyjack Part No.	Qty.	Description
131	144087	2	FITTING, Straight (08 BARB - 08 JICFS)
14	144094	2	CLAMP, Hose (19-21 Mikalor)

8.4 Base Hoses



M238506AC_M237588AC-1

238271ACA

8.4 Base Hoses

Index No.	Hose P/N	From		To	
		Description	Port	Port	Description
-	211212	CHASSIS HOSE KIT			
1	H3104 0031 0	Axle Lock - Pilot Right	-	-	Axle Lock - Pilot Tee
2	H3106 0031 0	Axle Lock - Pressure Left	-	-	Axle Lock - Pressure Tee
3	H3106 0031 0	Axle Lock - Pressure Right	-	-	Axle Lock - Pressure Tee
4	H3104 0031 0	Axle Lock - Pilot Left	-	-	Axle Lock - Pilot Tee
-	237588	DRIVE PUMP HOSE KIT			
5	H3812 0077 0	Drive Pump	D2	T5	Hydraulic Tank (P. Case Drain)
6	H4004 0080 0	Drive Pump	Ma	M1	Brake Manifold
7	H4004 0080 0	Drive Pump	Mb	M2	Brake Manifold
8	H3816 0056 0	Drive Pump	S	T2	Hydraulic Tank (Drive Suction)
9	H3404 0129 0	Drive Pump	C1	-	Axle Lock - Pressure Tee
10	H0212 0177 0	Drive Pump	A	A	Drive Motor
11	H0212 0177 0	Drive Pump	B	B	Drive Motor
-	238506	TURRET HOSE KIT (with hoses from 8.3)			
12	H3204 0144 0	Steering Cylinder	R	ST1	Main Manifold
13	H3204 0144 0	Steering Cylinder	L	ST2	Main Manifold
14	H3404 0127 0	Axle Lock - Pilot Tee	-	AL	Brake Manifold
15	H3404 0173 0	Rear Axle - Brake	-	BRG	Brake Manifold
16	H3404 0171 0	Rear Axle - Diff Lock	-	D	Brake Manifold
17	H3108 01420	Motor	L1	T6	Hydraulic Tank
18	H3404 0135 0	Motor	X1	2SPD	Brake Manifold
Index No.	Skyjack Part No.	Qty.	Description		
19	140914	140"	SLEEVE, Nylon (part of drive pump hose kit)		
20	140914	140"	SLEEVE, Nylon (part of drive pump hose kit)		
21	131732	24"	SLEEVE, Nylon (part of drive pump hose kit)		
22	131732	19"	SLEEVE, Nylon (part of drive pump hose kit)		
23	131732	13"	SLEEVE, Nylon (part of drive pump hose kit)		
24	131732	13"	SLEEVE, Nylon (part of turret hose kit)		
25	131697	1	FITTING, Tee (04 JICM - 04 JICM - 04 JICM)		
26	707041	1	FITTING, Straight (06 JICF - 04 JICM)		
27	131704	1	FITTING, Tee (06 JICM - 06 JICM - 06 JICM)		

Section 9 – Optional Equipment

9.1 *Flashing Light*

9.2 *Oil Quick Drain*

9.3 *Welder & Mount*

9.4 *Generator - 3.5 kW*

9.5 *Generator - 7.5 kW*

9.6 *Glazier Tray*

9.7 *Control Box Cover*

9.8 *Pipe Rack*

9.9 *Tool Caddy*

9.10 *Half-Height Platform Mesh*

9.11 *External Railing*

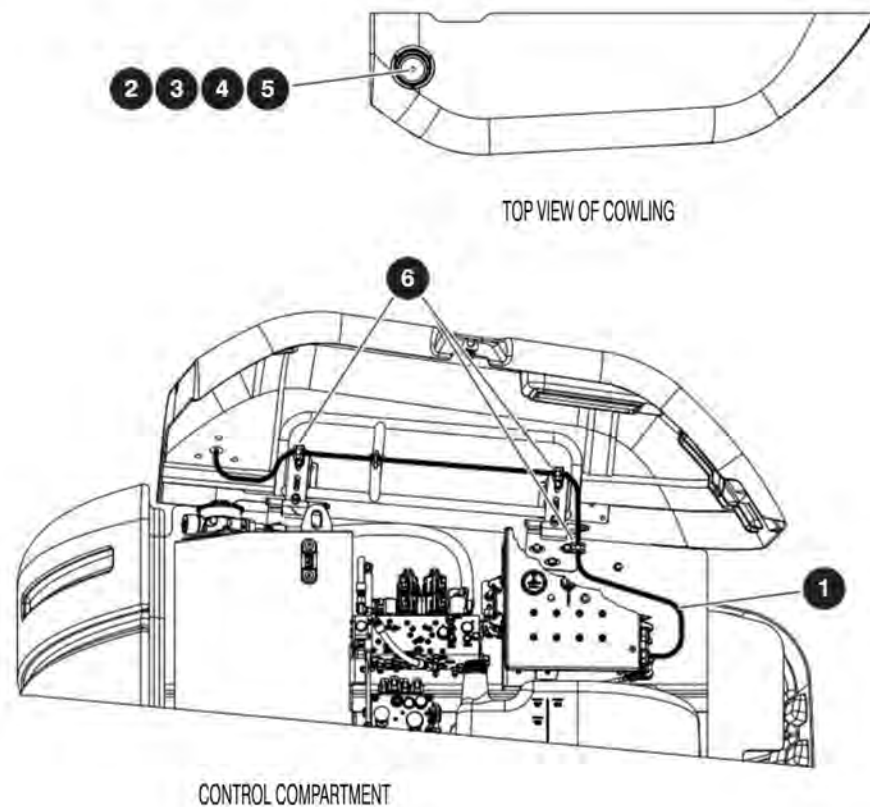
9.12 *Positive Air Shut-off*

9.13 *White Noise Alarm*

9.14 *Elevate Telematics*

9.15 *Elevate Telematics Subscription*

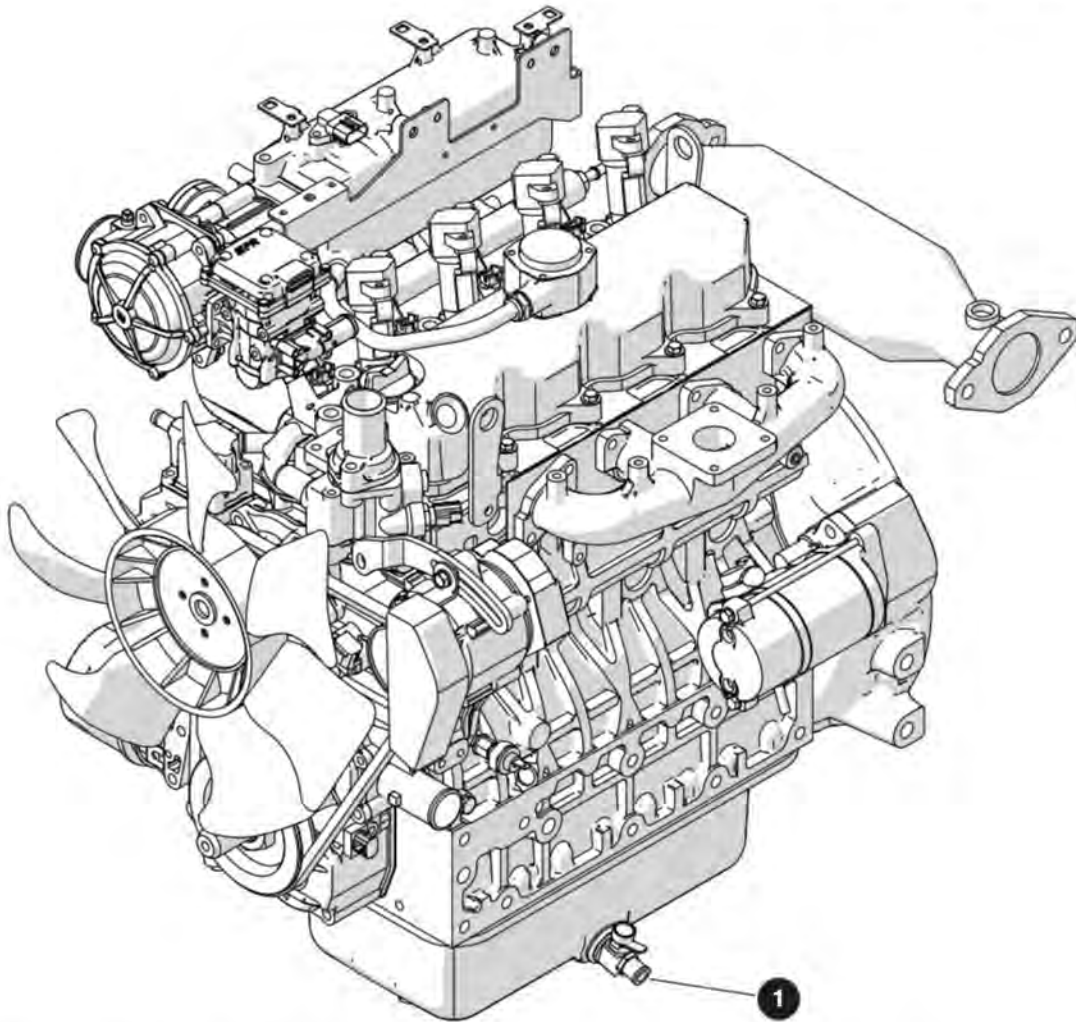
9.1 Flashing Light



M148528AA

Index No.	Skyjack Part No.	Qty.	Description
-	148528	1	FLASHING AMBER LIGHT OPTION
1	152585	1	• HARNESS, Flash amber light
	117591	2	• • CONNECTOR, Contact socket (16/18 GA)
	117599	1	• • CONNECTOR, Wedge (2 pin)
	117597	1	• • CONNECTOR (2 pin)
2	144078	1	• FLASHING AMBER LIGHT ASSEMBLY
	143971	1	• • STROBE LIGHT, Amber (12/24 VDC)
	144215	1	• • • FLASH TUBE
	117596	1	• • CONNECTOR, Receptacle (2 pin)
	117590	2	• • CONNECTOR, Contact pin (16/18 GA)
	117598	1	• • WEDGE, Receptacle (2 pin)
	124399	4"	• • SPLIT LOOM (1/4")
3	122498	3	• SCREW, Round head machine (#10-32 x 1 1/4")
4	300450	3	• LOCKNUT, Hex (#10-32 UNF, nylon insulated)
5	104694	3	• WASHER, Flat (#10 SAE)
6	102972	3	• CLIP, Double (G8)

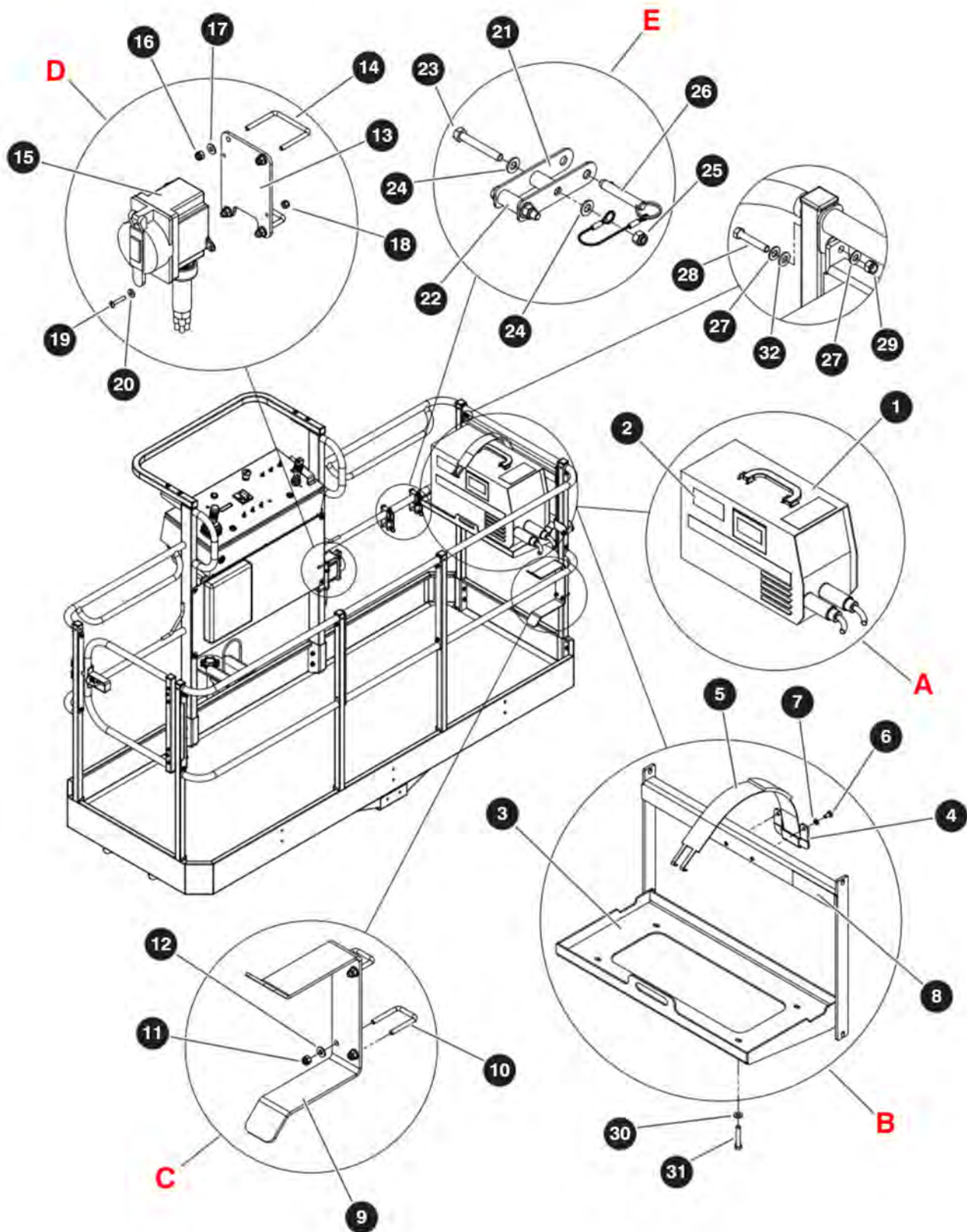
9.2 Oil Quick Drain



M171265AA

Index No.	Skyjack Part No.	Qty.	Description
1	170731	1	VALVE, Oil drain

9.3 Welder & Mount



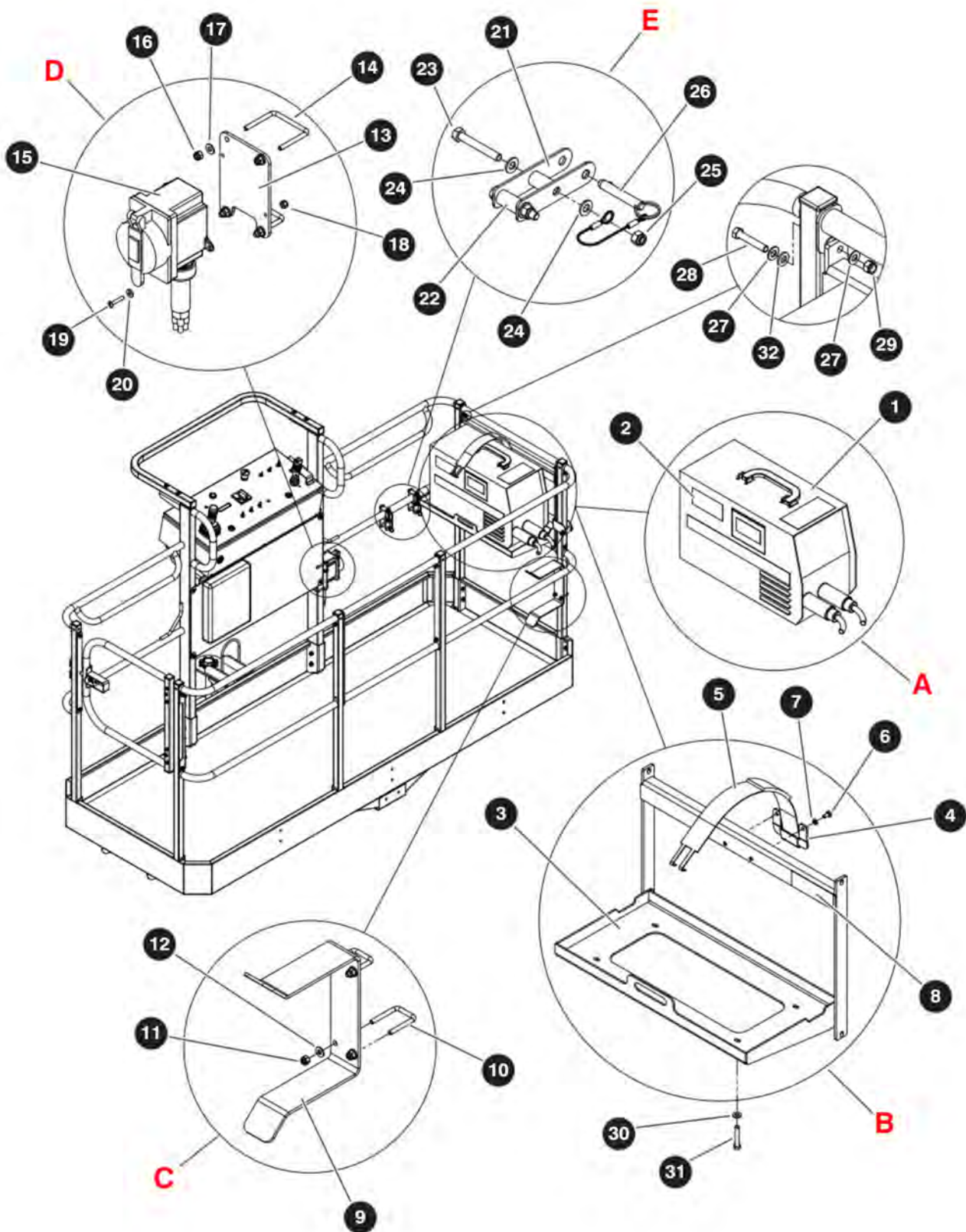
M159917AD

238271ACA

9.3 Welder & Mount

Index No.	Skyjack Part No.	Qty.	Description
A 1	148383	1	WELDER ASSEMBLY - 12 kW generator
	138811	1	• WELDER (275A)
	138813	1	• CABLE, Electrode (14')
	144376	1	• • ELECTRODE HOLDER (400A)
	144573	168"	• • CABLE
	138814	1	• CABLE, Work (14')
	144377	1	• • GROUND CLAMP (400A)
	144573	168"	• • CABLE
	144374	1	• PLUG, Locking (50A / 250V / 3P)
	144603	2	• CLAMP, Cushioned loop (0.875" diameter)
2	147112	1	• LABEL, Welder weight (90 lbs)
-	159917	1	MOUNTING ASSEMBLY, 12kW Welder
B 3	159948	1	• WELDER TRAY ASSEMBLY
	159955	1	• • TRAY, Welder
	137814	1	• • PLATE, Strap
	103020	1	• • STRAPS (pair)
	103855	2	• • BOLT, Hex head (1/4"-20 x 0.50", Grade 5)
	104000	2	• • WASHER, Lock (1/4")
	147112	1	• • LABEL, Welder weight (90 lbs)
	C 9	144218	1
144220		1	• • BRACKET, Welding cables
144219		2	• • U BOLT, Welder bracket
115649		4	• • NUT, Hex lock (1/4"-20 Grade 5, nylon)
103995		4	• • WASHER, Flat (1/4")
D 13	144221	1	• RECEPTACLE ASSEMBLY
	144222	1	• • PLATE, Receptacle mounting
	144223	2	• • U BOLT, Receptacle mounting
	141614	1	• • ELECTRICAL COMPONENTS ASSEMBLY
	139835	1	• • • FD BOX, 50A Receptacle
	139832	1	• • • RECEPTACLE, Single locking
	139836	1	• • • COVER, Weather resistant
	144367	1	• • • STRAIN RELIEF, 1-18" straight
	115649	4	• • NUT, Hex lock (1/4"-20 Grade 5, nylon)
	103995	4	• • WASHER, Flat (1/4")
	300450	2	• • NUT, Hex lock (#10-32 Grade 5, nylon)
	105621	2	• • SCREW, Round head machine (#10-32 x 1")
20	104694	2	• • WASHER, Flat (#10)

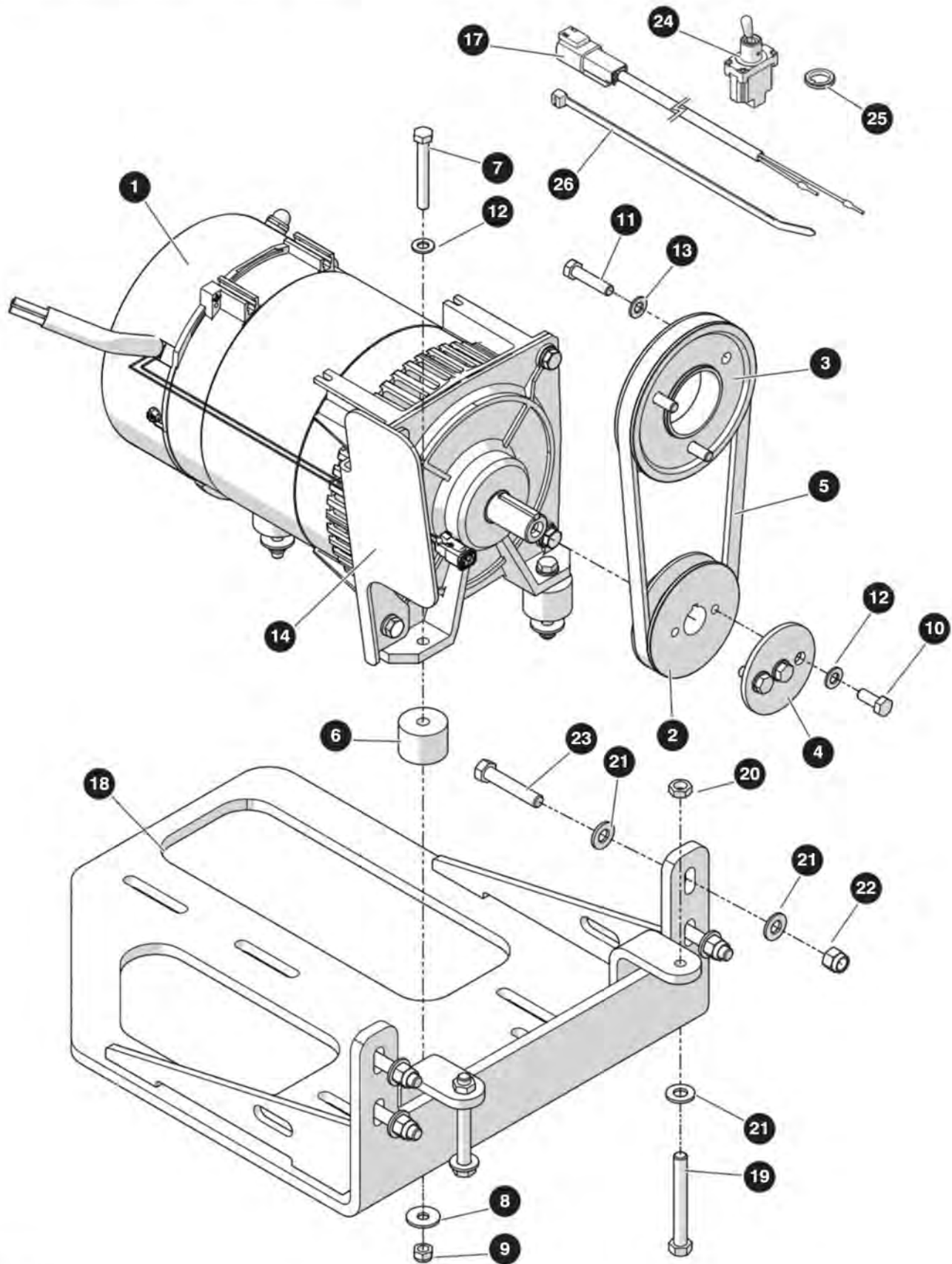
9.3 Welder & Mount



9.3 Welder & Mount

Index No.	Skyjack Part No.	Qty.	Description
E	168530	2	• HANGER ASSEMBLY
21	169160	2	• • BRACKET, Welder cable
22	159947	2	• • SPACER, Welder tray
23	103866	2	• • BOLT, Hex head (5/16"-18 x 2 1/4 Grade 5)
24	103996	4	• • WASHER, Flat (5/16")
25	103984	2	• • NUT, Hex lock nylon lock (5/16"-18 Grade 5)
26	124548	1	• • PIN, Quick release
27	103996	8	• WASHER, Flat (5/16")
28	103884	4	• BOLT, Hex head (5/16"-18 x 2.50", Grade 5)
29	103984	4	• NUT, Hex head nylon lock (5/16"-18, Grade 5)
30	103995	4	• WASHER, Flat (1/4")
31	103857	4	• BOLT, Hex head (1/4"-20 x 1.00" Grade 5)
32	159960	2	• SPACER, Nylon (0.403" ID x 0.75" OD, x 0.312" long) (drop bar entrance)
	168336	2	• SPACER, Nylon (0.394" ID x 0.75" OD, x 0.125" long)

9.4 Generator - 3.5 kW



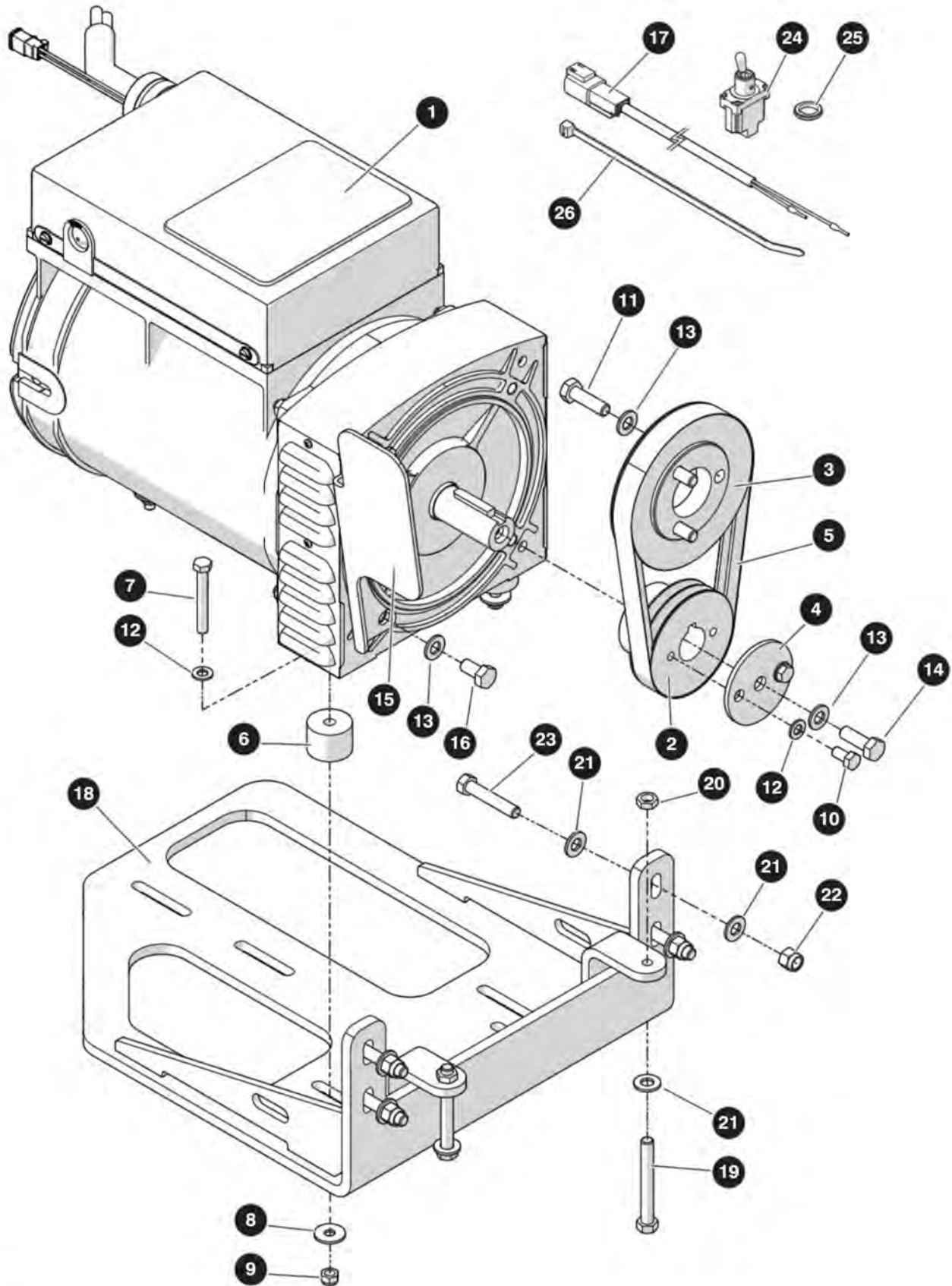
M238762AA

238271ACA

9.4 Generator - 3.5 kW

Index No.	Skyjack Part No.	Qty.	Description
A	239458	1	3.5 kW GENERATOR, 60Hz - ANSI/CSA with D1305
B	239459	1	3.5 kW GENERATOR, 60Hz - ANSI/CSA with WG972
C	239456	1	3.5 kW GENERATOR, 50Hz - CE
-	237569	2	• GENERATOR ASSEMBLY - 3.5 kW 60 Hz, D1305, A
	237572	2	• GENERATOR ASSEMBLY - 3.5 kW 60 Hz, WG972, B
	238761	2	• GENERATOR ASSEMBLY - 3.5 kW 50 Hz, D1305, C
1	215834	1	• • GENERATOR, 3.5 kW belt driven, 60 Hz, A, B
	215835	1	• • GENERATOR, 3.5 kW belt driven, 50 Hz, C
	239720	1	• • • COVER, Drilled
	239725		• • • BEARING CONVERSION KIT
	239726		• • • CONNECTOR, Deutsch - 2 pin
	239724		• • • CAPACITOR
	239723		• • • CIRCUIT BREAKER, 15 amp
	239722		• • • BOOT, Rubber - circuit breaker
	239721		• • • RELAY, 8 pin
2	220407	1	• • PULLEY, Generator - 3.5 kW
3	222473	1	• • PULLEY, Engine - D1305, A, C
	237497	1	• • PULLEY, Engine - WG972, B
4	220406	1	• • WASHER, Generator pulley
5	238501	1	• • BELT, Generator 2/3 VL
6	215210	3	• • SPACER
7	217236	3	• • BOLT, Hex head (M8 x 1.25 x 60, cl 10.9)
8	217838	3	• • WASHER, Fender (M8)
9	223162	3	• • NUT, Hex head lock (M8 x 1.25, cl 10)
10	217876	3	• • BOLT, Hex head (M8 x 1.25 x 20, cl 10.9)
11	237522	3	• • BOLT, Hex head (M10 x 1.25 x 35, cl 10.9)
12	600184	6	• • WASHER, Flat (M8)
13	600315	3	• • WASHER, Flat (M10)
14	239454	1	• • PLATE, Guard
15	237522	3	• • BOLT, Hex head (M10 x 1.25 x 35, cl 10.9)
17	238483	2	• HARNESS, Generator valve
-	239455	1	• GENERATOR TRAY ASSEMBLY
18	235396	1	• • TRAY, Generator
19	239704	2	• • BOLT, Hex head (3/8"-16 x 3, gr 5)
20	108575	2	• • NUT, Hex head jam (3/8"-16, gr 5)
21	125959	10	• • WASHER, Flat (3/8" hardened)
22	104606	4	• • NUT, Hex head lock (3/8"-16, gr 5)
23	103596	4	• • BOLT, Hex head (3/8"-16 x 2, gr 5)
-	198383	1	• UPPER CONTROL BOX WIRING
-	198382	1	• WIRE KIT, Generator
24	198383	1	• • • SWITCH, Toggle (INT1-3)
25	115747	1	• • • SEAL, Panel - toggle switch
26	144016	3	• • TIE, Cable - black (7-1/4")

9.5 Generator - 7.5 kW



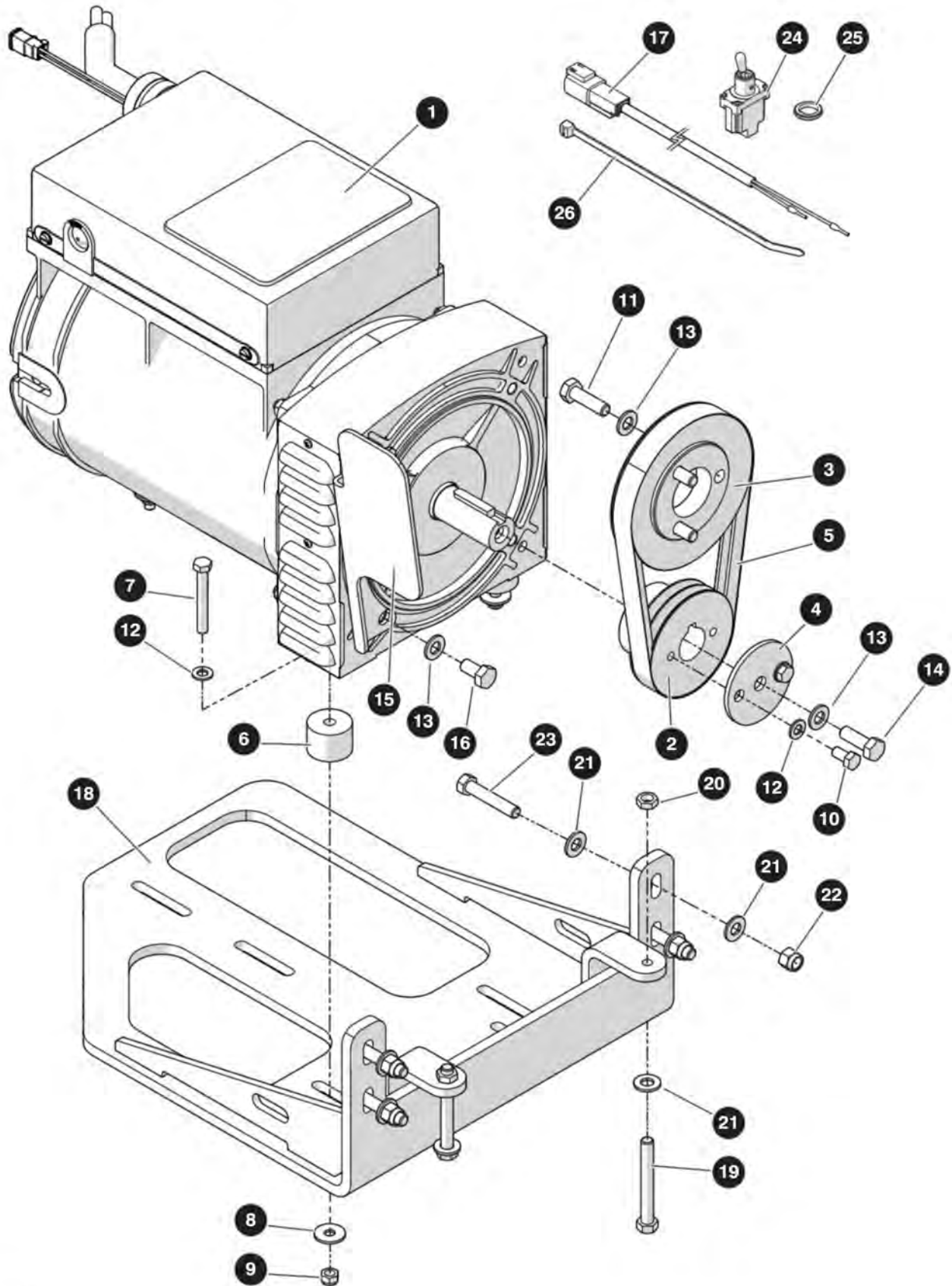
M239460AA

238271ACA

9.5 Generator - 7.5 kW

Index No.	Skyjack Part No.	Qty.	Description
A	239460	1	7.5 kW GENERATOR, 50 Hz - AS with D1305
B	-	1	7.5 kW GENERATOR, 60 Hz - ANSI/CSA with D1305
C	-	1	7.5 kW GENERATOR, 60 Hz - ANSI/CSA with WG972
-	237570	2	• GENERATOR ASSEMBLY - 7.5 kW 1phase, A
-	237571	2	• GENERATOR ASSEMBLY - 7.5 kW 1phase, B
-	237572	2	• GENERATOR ASSEMBLY - 7.5 kW 1phase, C
1	215836	1	• • GENERATOR, 7.5 kW belt driven, 50 Hz, A
-	236114	1	• • GENERATOR, 7.5 kW belt driven, 60 Hz, B
-	215834	1	• • GENERATOR, 7.5 kW belt driven, 60 Hz, C
-	239721	1	• • • RELAY, 8 pin, A
-	239726	1	• • • CONNECTOR, Deutz - 2 pin
-	239727	1	• • • FASTENER, 1/4 turn, B, C
-	239728	1	• • • RETAINER, Ring - slip, B, C
-	239729	1	• • • RETAINER, Clip on, B, C
-	239730	1	• • • COVER, Top, B, C
-	239731	1	• • • SHIELD, Gasket, B, C
-	239732	1	• • • GASKET, B, C
-	239733	1	• • • BOX, Electrical, B, C
-	239734	1	• • • BREAKER, 3 pole 30A, B, C
-	239735	1	• • • BREAKER, 16A GFCI, B, C
-	239736	1	• • • GRIP, Cord (3/4"), B, C
-	239737	1	• • • NUT, Cord grip (3/4"), B, C
-	239738	1	• • • GRIP, Cord (1")
-	239739	1	• • • NUT, Cord grip (1")
-	239740	1	• • • COVER, Rear - with stud cover
-	240371	1	• • • BEARING, Front
-	240372	1	• • • BEARING, Rear
-	240373	1	• • • BRUSH KIT, B, C
-	240374	1	• • • KEYWAY, Shaft
-	240375	2	• • • COVER, Side
-	240376	1	• • • COVER, Electrical box, A
-	240377	1	• • • CAPACITOR, 25 mf, A
-	240378	1	• • • CAPACITOR, 31.5 mf, A
2	238490	1	• • PULLEY, Generator - 7.5 kW
3	238488	1	• • PULLEY, Engine - D1305, A, B
-	237497	1	• • PULLEY, Engine - WG972, C
4	237566	1	• • WASHER, Generator pulley
5	238491	1	• • BELT, Generator 2/3 VL, A, B
-	238501	1	• • BELT, Generator AX24, C
6	215210	3	• • SPACER
7	217236	3	• • BOLT, Hex head (M8 x 1.25 x 60, cl 10.9)
8	217838	3	• • WASHER, Fender (M8)
9	223162	3	• • NUT, Hex head lock (M8 x 1.25, cl 10)
10	217401	2	• • BOLT, Hex head (M8 x 1.25 x 16, cl 10.9)
11	237522	3	• • BOLT, Hex head (M10 x 1.25 x 35, cl 10.9)
12	600184	4	• • WASHER, Flat (M8)

9.5 Generator - 7.5 kW



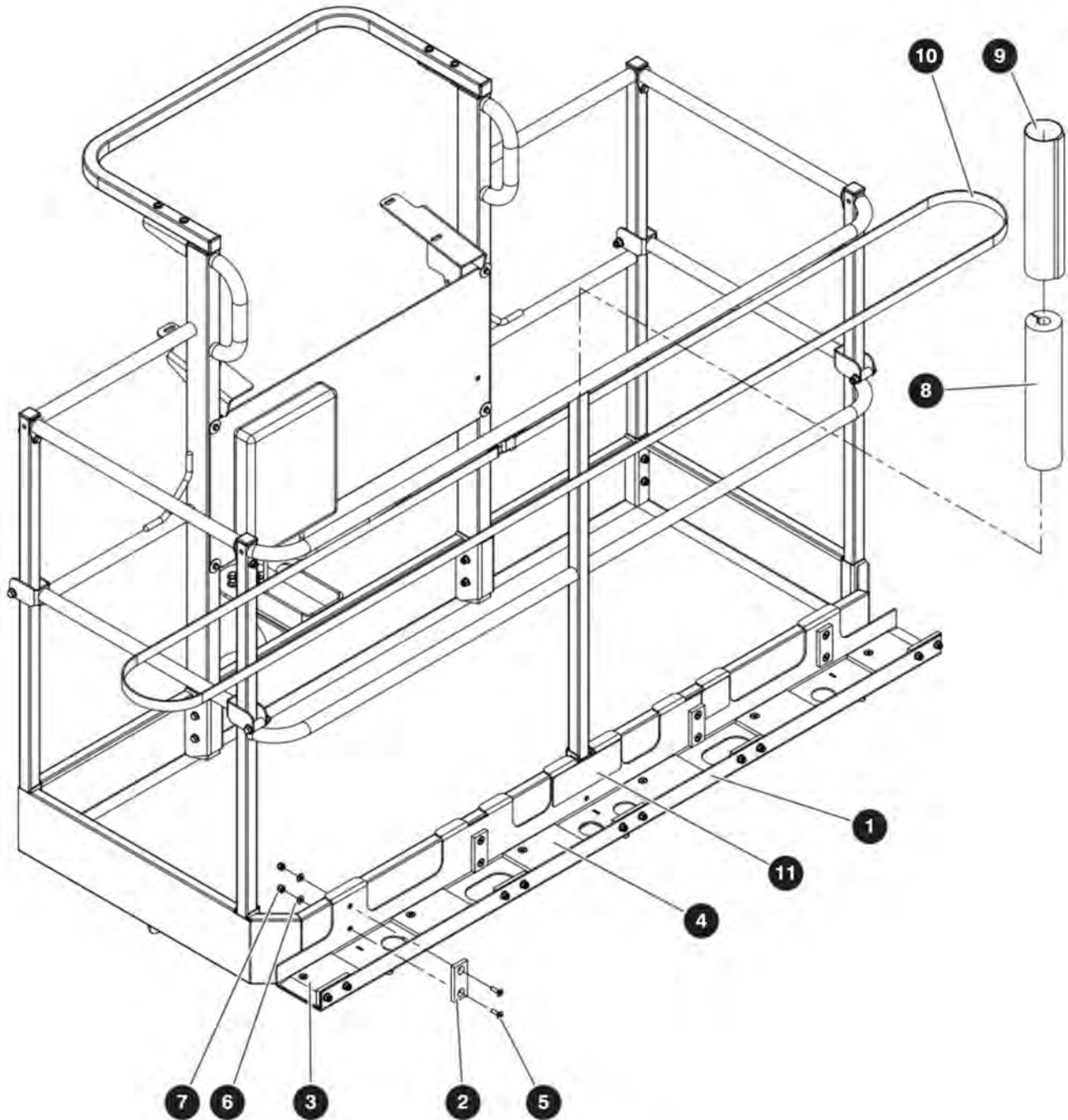
M239460AA

238271ACA

9.5 Generator - 7.5 kW

Index No.	Skyjack Part No.	Qty.	Description
13	600315	6	• • WASHER, Flat (M10)
14	115745	1	• • BOLT, Hex head (M10 x 1.5 x 30, cl 8.8)
15	239453	1	• • PLATE, Guard
16	103847	2	• • BOLT, Hex head (M10 x 1.5 x 20, cl 8.8)
17	238483	2	• HARNESS, Generator valve
-	239455	1	• GENERATOR TRAY ASSEMBLY
18	235396	1	• • TRAY, Generator
19	239704	2	• • BOLT, Hex head (3/8"-16 x 3, gr 5)
20	108575	2	• • NUT, Hex head jam (3/8"-16, gr 5)
21	125959	10	• • WASHER, Flat (3/8" hardened)
22	104606	4	• • NUT, Hex head lock (3/8"-16, gr 5)
23	103596	4	• • BOLT, Hex head (3/8"-16 x 2, gr 5)
-	198383	1	• UPPER CONTROL BOX WIRING
-	198382	1	• • WIRE KIT, Generator
24	198383	1	• • • SWITCH, Toggle (INT1-3)
25	115747	1	• • • SEAL, Panel - toggle switch
26	144016	3	• • TIE, Cable - black (7-1/4")

9.6 Glazier Tray



M169156AC

238271ACA

200

SJ45 AJ+
SKYJACK

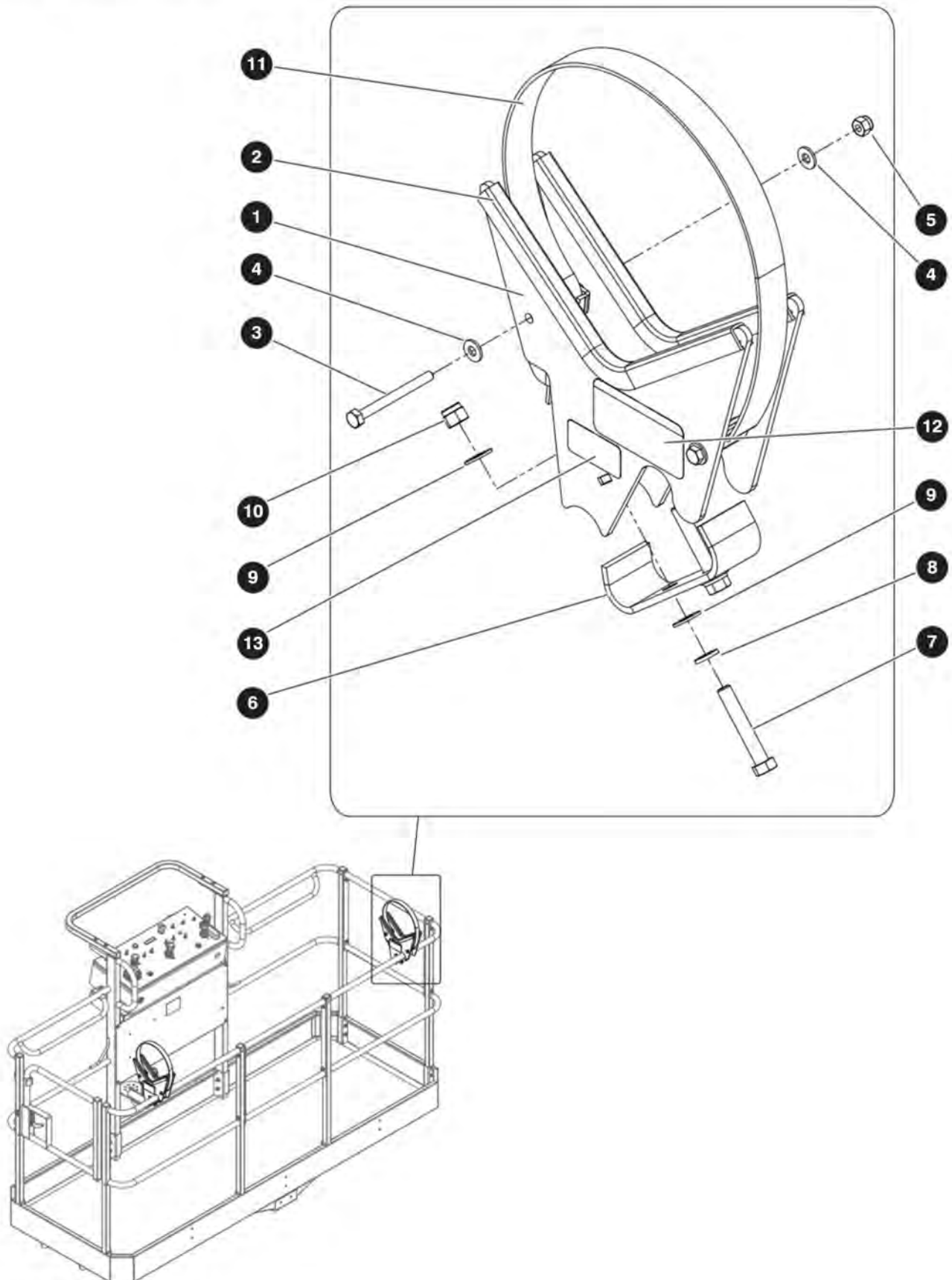
9.6 Glazier Tray

Index No.	Skyjack Part No.	Qty.	Description
-	169156	1	GLAZIER FIELD KIT
-	169157	1	• GLAZIER PACKAGE ASSEMBLY
-	169158	1	• • GLAZIER TRAY ASSEMBLY
1	154402	1	• • • TRAY WELDMENT, Glazier
2	154401	9	• • • PAD, Side tray
3	154399	2	• • • PAD, End tray
4	154400	4	• • • PAD, In tray
5	162116	30	• • • BOLT, Flat head cap screw (5/16"-18 x 1.00", Grade 5)
6	103996	30	• • • WASHER, Flat (5/16")
7	103984	30	• • • NUT, Hex head nylon lock (5/16-18, Grade 5)
8	144491	1	• • FOAM, Support
9	144604	1	• • COVER, Bumper
10	144613	1	• • STRAP, Glazier kit
11	172630	1	• • LABEL, Panel cradle capacity
12	162026	1	• INSTRUCTION, Glazier package operation and installation (not shown)

9.7 Control Box Cover

Index No.	Skyjack Part No.	Qty.	Description
-	216918	1	CONTROL BOX COVER
-	216917	1	• COVER ASSEMBLY, Control box
1	216919	1	• • COVER, Control box
2	104698	2	• • SCREW, Round machine (#10-32 x 1")
3	300450	2	• • NUT, Hex lock (#10-32 Grade 5, nylon)
4	104694	2	• • WASHER, Flat (#10)
5	154305	2	• • BUSHING, Flanged (0.25" ID x 0.1875")
6	137653	1	• • HANDLE, Pull
7	144015	2	• • MOUNT, Anti-vibration
8	115649	2	• • NUT, Hex lock (0.25"-20 Grade 5, nylon)
9	103995	2	• • WASHER, Flat (0.25")
10	103996	2	• WASHER, Flat (0.3125")
11	103858	2	• BOLT, Hex head (0.25"-20 x 1.25" Grade 5)
12	159960	4	• SPACER, (0.75" OD)
13	103995	16	• WASHER, Flat (0.25")
14	115649	10	• NUT, Hex lock (0.25"-20 Grade 5, nylon)
15	139168	8	• SCREW, Button head cap (0.25"-20 x 0.75")
16	159956	4	• WASHER, Rubber (0.25")
17	103891	2	• BOLT, Hex head (0.25"-20 x 0.875" Grade 5)
18	103984	2	• NUT, Hex lock (0.3125"-18 Grade 5, nylon)
19	154323	1	• BRACKET, Gas spring
20	162101	1	• GAS SPRING, Control box cover
21	162048	1	• PLATE, Right side cover
22	216921	1	• PLATE, Back cover
23	162049	1	• PLATE, Left side cover
24	162123	2	• STUD, Ball (10 mm x 0.54")
25	300450	4	• NUT, Hex head nylon lock (10-32, Grade 5)
26	104694	4	• WASHER, Flat (10)
27	104698	4	• SCREW, Round head machine (10-32 x 0.75")
28	216675	1	• HASP, Double hinge (3.25")
29	168336	3	• SPACER, Nylon (0.394" ID x 0.75" OD x 0.125" long)
30	124031	3	• SCREW, Flat head (10-32 x 0.50")
31	104185	3	• WASHER, Lock (10)
32	104003	3	• NUT, Hex (10-32)
33	162032	1	• INSTRUCTION, Control box cover installation (not shown)

9.8 Pipe Rack



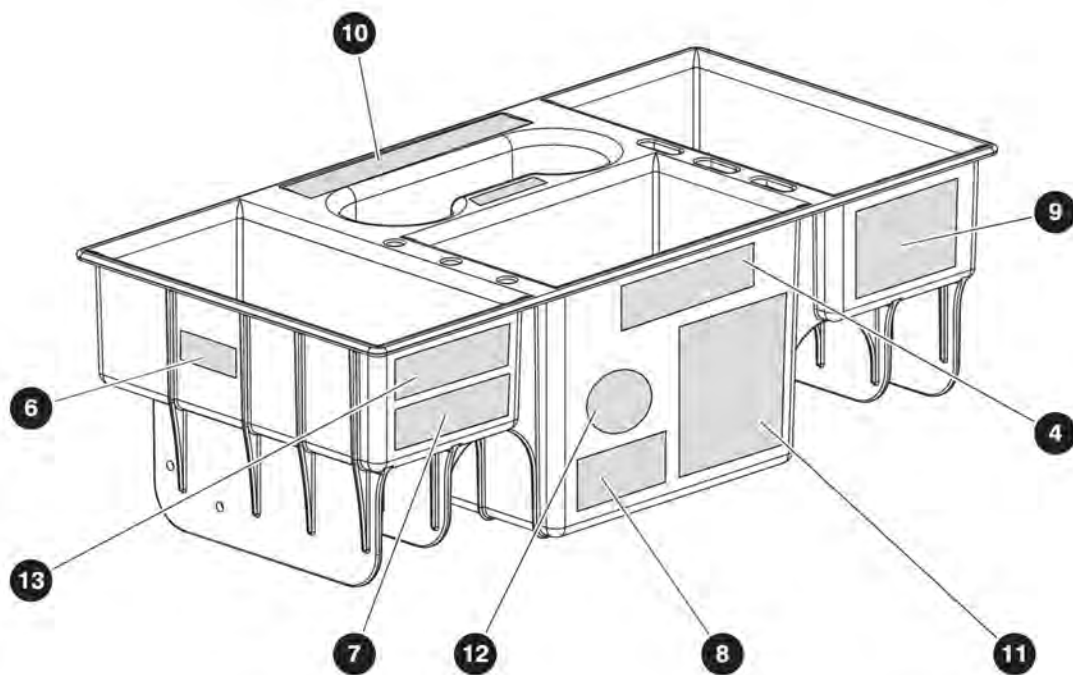
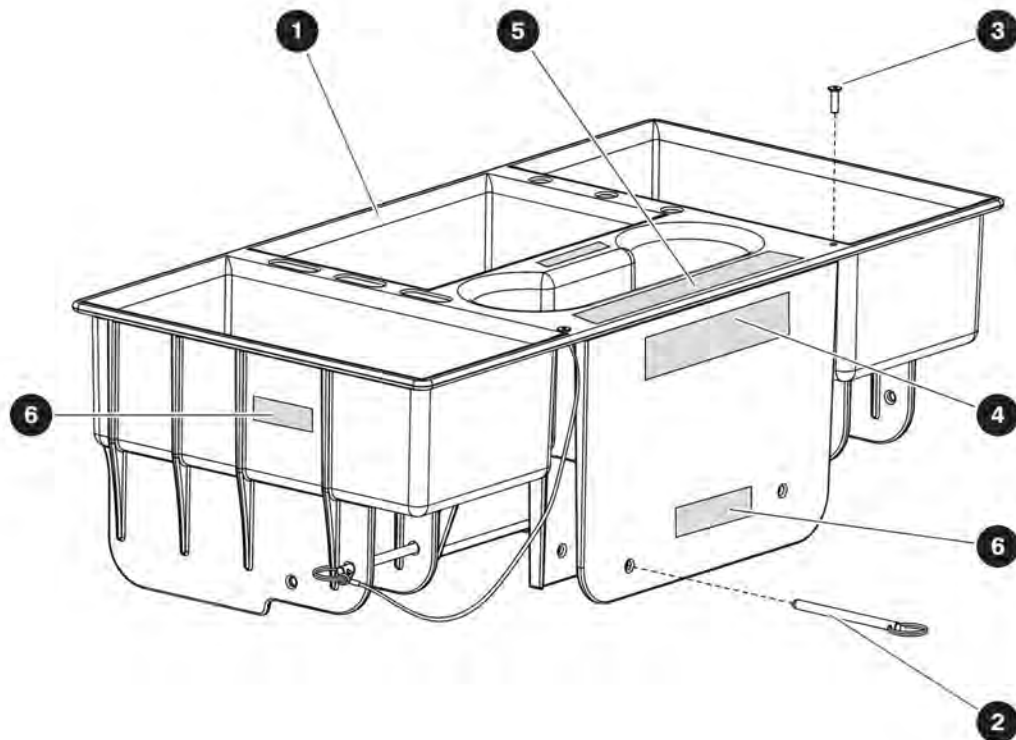
M162052AD

238271ACA

9.8 Pipe Rack

Index No.	Skyjack Part No.	Qty.	Description
--	148559	1	PIPE RACK
--	149112	1	• PIPE RACK ASSEMBLY
1	144495	1	• • WELDMENT, PIPE RACK
2	117398	48"	• • TRIM, Protective
3	144501	4	• • BOLT, Hex head (0.25"-20 x 2.75", Grade 5)
4	103995	8	• • WASHER, Flat (0.25")
5	115649	4	• • NUT, Hex head nylon lock (0.25"-20, Grade 5)
6	144499	2	• • PLATE, Pipe rack bottom
7	103872	4	• • BOLT, Hex head (0.375"-16 x 2.25", Grade 5)
8	103999	4	• • WASHER, Lock (0.375")
9	103472	4	• • WASHER, Flat (0.375")
10	104606	2	• • NUT, Hex head nylon lock (0.375"-16)
11	144500	2	• • STRAP, Pipe rack
12	172383	2	• • LABEL, Pipe rack capacity
13	171239	2	• • LABEL, Capacity reduction
14	162725	1	• INSTRUCTION, Pipe rack installation (not shown)

9.9 Tool Caddy



M204334AB

238271ACA

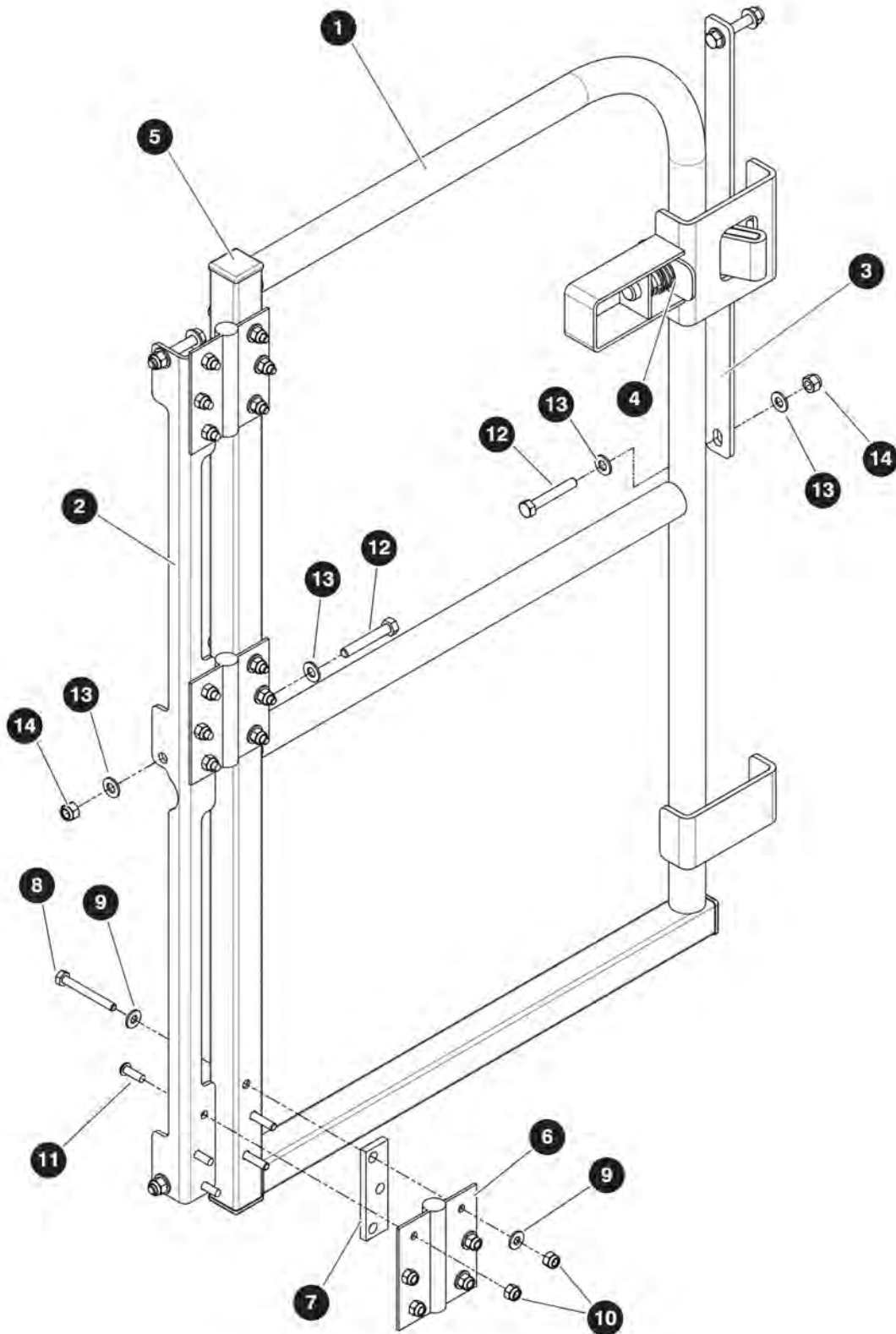
206

SJ45 AJ+
SKYJACK

9.9 Tool Caddy

Index No.	Skyjack Part No.	Qty.	Description
-	211271	1	TOOL CADDY KIT
-	204334	1	• TOOL CADDY ASSEMBLY
1	198945	1	• • TOOL CADDY TRAY, Plastic (Std)
2	198965	2	• • PIN, Quick release 1/4x3.2 LG with Lanyard
3	116161	2	• • RIVET, Pop (0.1875" x 0.565")
4	172293	2	• • LABEL, Skyjack logo, 5" white
5	172294	1	• • LABEL, Skyjack logo, 3" white
6	168421	3	• • LABEL, Lock pin in place
7	172245	1	• • LABEL, Tool caddy weight
8	172246	1	• • LABEL, Tool caddy pin location
9	172247	1	• • LABEL, Tool caddy location
10	172292	1	• • LABEL, Accessoryzers, 8" white
11	172298	1	• • LABEL, Tool caddy models serial numbers
12	172299	1	• • LABEL, Do not block exit/entrance
13	172297	1	• • LABEL, Drive slowly when tool caddy is installed
14	204306	1	• INSTRUCTIONS, Tool caddy installation (not shown)

9.10 Half-Height Platform Mesh



M211359AA

238271ACA

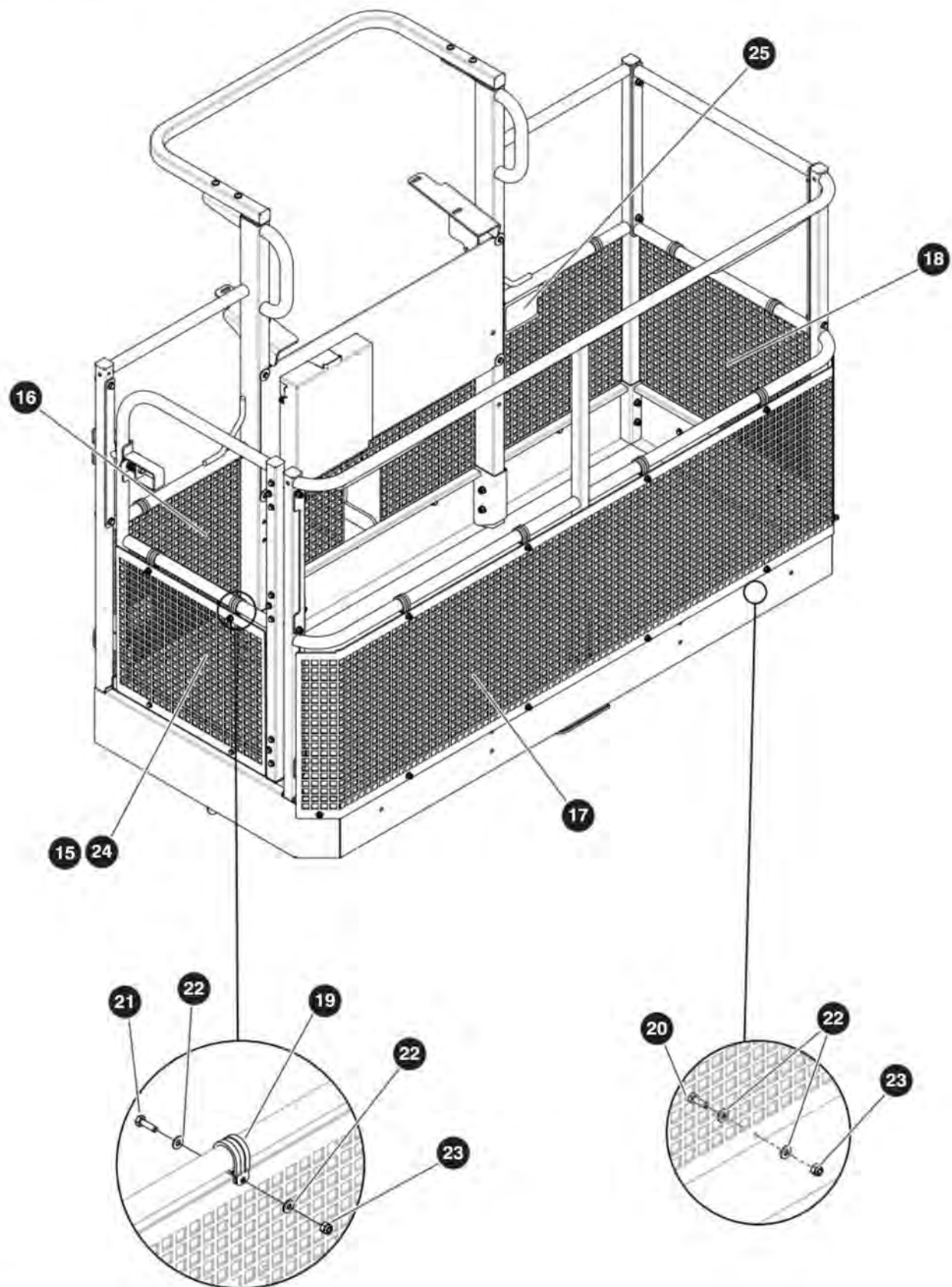
208

SJ45 AJ+
SKYJACK

9.10 Half-Height Platform Mesh

Index No.	Skyjack Part No.	Qty.	Description
A	211779	1	• HALF HEIGHT MESH KIT for 6' / 1.83 m Side Entry Platform
B	211780	1	• HALF HEIGHT MESH KIT for 5' / 2.44 m Side Entry Platform
-	211364	1	• MESH ASSEMBLY, Side entry 6' / 2.44 m platform, A
-	211211	1	• MESH ASSEMBLY, Side entry 5' / 2.44 m platform, B
-	211359	1	• • FULL SWING GATE
1	209032	1	• • • GATE, Swing - full
2	211375	1	• • • BRACKET, Mounting - hinge
3	166287	1	• • • PLATE, Locking
4	110824	1	• • • LATCH, Pin - door spring
	105312	1	• • • • BED, Latch
	109377	1	• • • • PIN, Latch (0.625" x 4.187")
	105307	1	• • • • HANDLE, Latch
	103107	1	• • • • SPRING, Compression
	100950		• • • • PIN, Spring (0.125" x 1.00")
5	100702	3	• • • PLUG, Tube (1.25" x 1.25")
6	209527	3	• • • HINGE, Spring
7	164592	3	• • • TAB, Hinge
8	103862	9	• • • BOLT, Hex head (0.25"-20 x 2.25" gr 5)
9	103995	18	• • • WASHER, Flat (0.25")
10	115649	18	• • • NUT, Lock (0.25"-20 gr 5 nylon)
11	139168	9	• • • BOLT, Button head cap screw (0.25"-20 x 0.75")
12	103865	5	• • • BOLT, Hex head (0.312"-18 x 2.00" gr 5)
13	103996	10	• • • WASHER, Flat (0.312")
14	103984	5	• • • NUT, Lock (0.313"-18 gr 5 nylon)
			<i>Parts list continued on the next page.</i>

9.10 Half-Height Platform Mesh



M211779AA

238271ACA

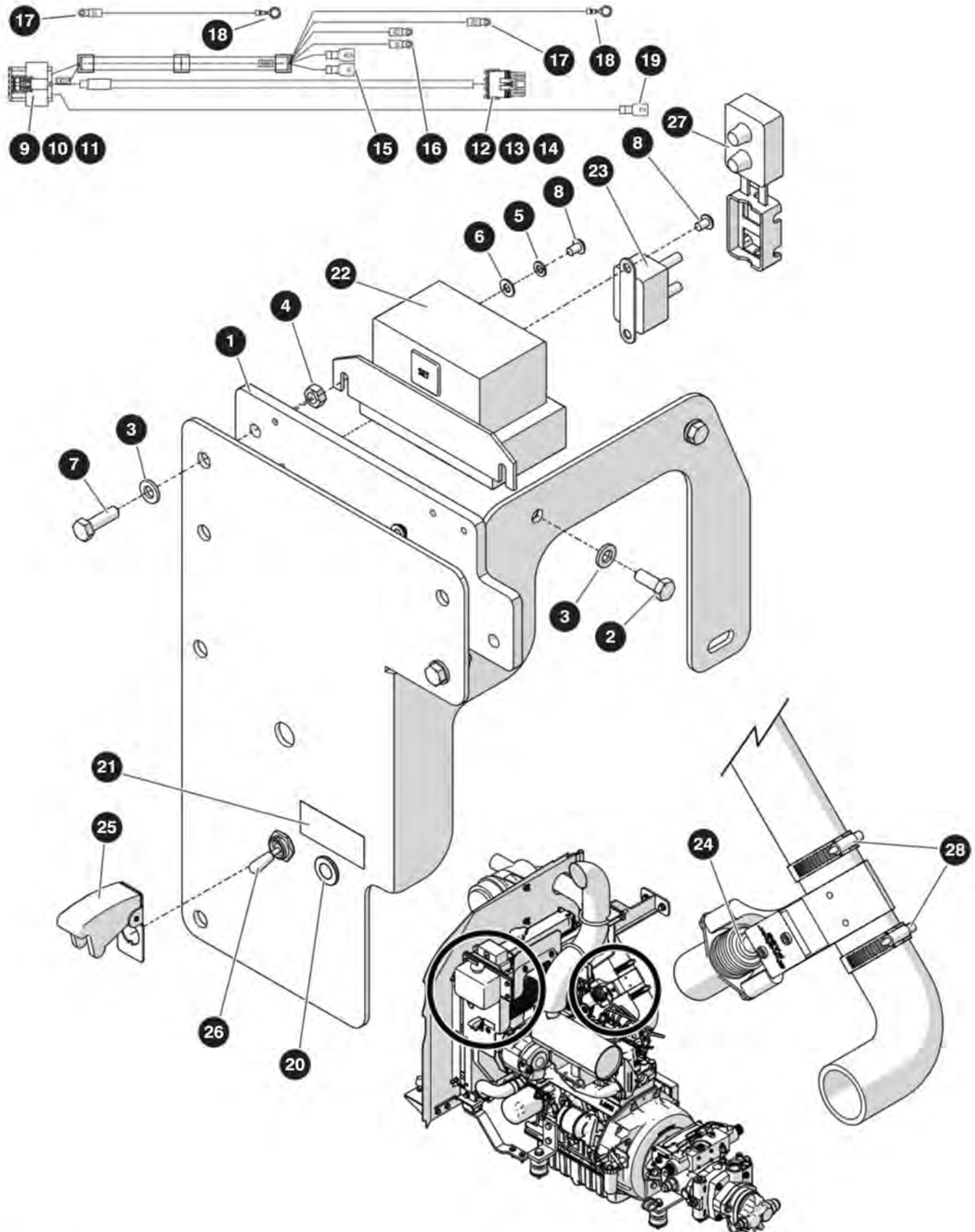
9.10 Half-Height Platform Mesh

Index No.	Skyjack Part No.	Qty.	Description
A	211779	1	• HALF HEIGHT MESH KIT for 6' / 1.83 m Side Entry Platform
B	211780	1	• HALF HEIGHT MESH KIT for 5' / 2.44 m Side Entry Platform
Parts list continued from the previous page.			
15	208942	1	• • MESH, Gate
16	211608	1	• • MESH, Front - 30" x 72" / 0.76 m x 1.83 m platform, A
	211610	1	• • MESH, Front - 30" x 60" / 0.76 m x 1.52 m platform, B
17	211606	1	• • MESH, Rear - 30" x 72" / 0.76 m x 1.83 m platform, A
	211609	1	• • MESH, Rear - 30" x 60" / 0.76 m x 1.52 m platform, B
18	211605	1	• • MESH, Side - 30" / 0.76 m platform, A, B
19	209030	12	• • CLAMP, Loop - cushioned (#19), A, B
20	103891	12	• • BOLT, Hex head (0.25"-20 x 0.875" gr 5), A, B
21	103856	12	• • BOLT, Hex head (0.25"-20 x 0.75" gr 5), A, B
22	103995	48	• • WASHER, Flat (0.25"), A, B
23	115649	24	• • NUT, Lock (0.25"-20 gr 5 nylon), A, B
24	103632	2	• • BOLT, Self-tapping hex head (0.25"-14 x 0.75")
25	172519	1	• • LABEL, Mesh weight (25 kg/55 lb)
26	211727	1	• INSTRUCTION, Half height platform mesh installation (not shown)

9.11 External Railing

Index No.	Skyjack Part No.	Qty.	Description
-	152575	1	EXTERNAL RAILING FIELD KIT - <i>for 6' platforms only</i>
-	152574	1	• EXTERNAL RAILING ASSEMBLY
1	152573	1	• • TUBE, External railing (right)
2	152572	1	• • TUBE, External railing (left)
3	144048	2	• • PLUG, Round end
4	144747	8	• • WELDMENT, External railing stand-off
5	103861	16	• • BOLT, Hex head (0.25"-20 x 2" Grade 5)
6	103995	32	• • WASHER, Flat (0.25")
7	115649	16	• • NUT, Hex head nylon lock (0.25"-20 Grade 5)
8	104183	6'	• • PAD, Entry railing
9	115543	6	• • LABEL, Warning no step
10	137988	6	• • LABEL, Hazard crush/pinch point
11	171237	6	• • LABEL, External railing weight
12	119803	1	• • LABEL, Caution tape (108' roll)
13	162030	1	• INSTRUCTION, External railing installation (not shown)

9.12 Positive Air Shut-off



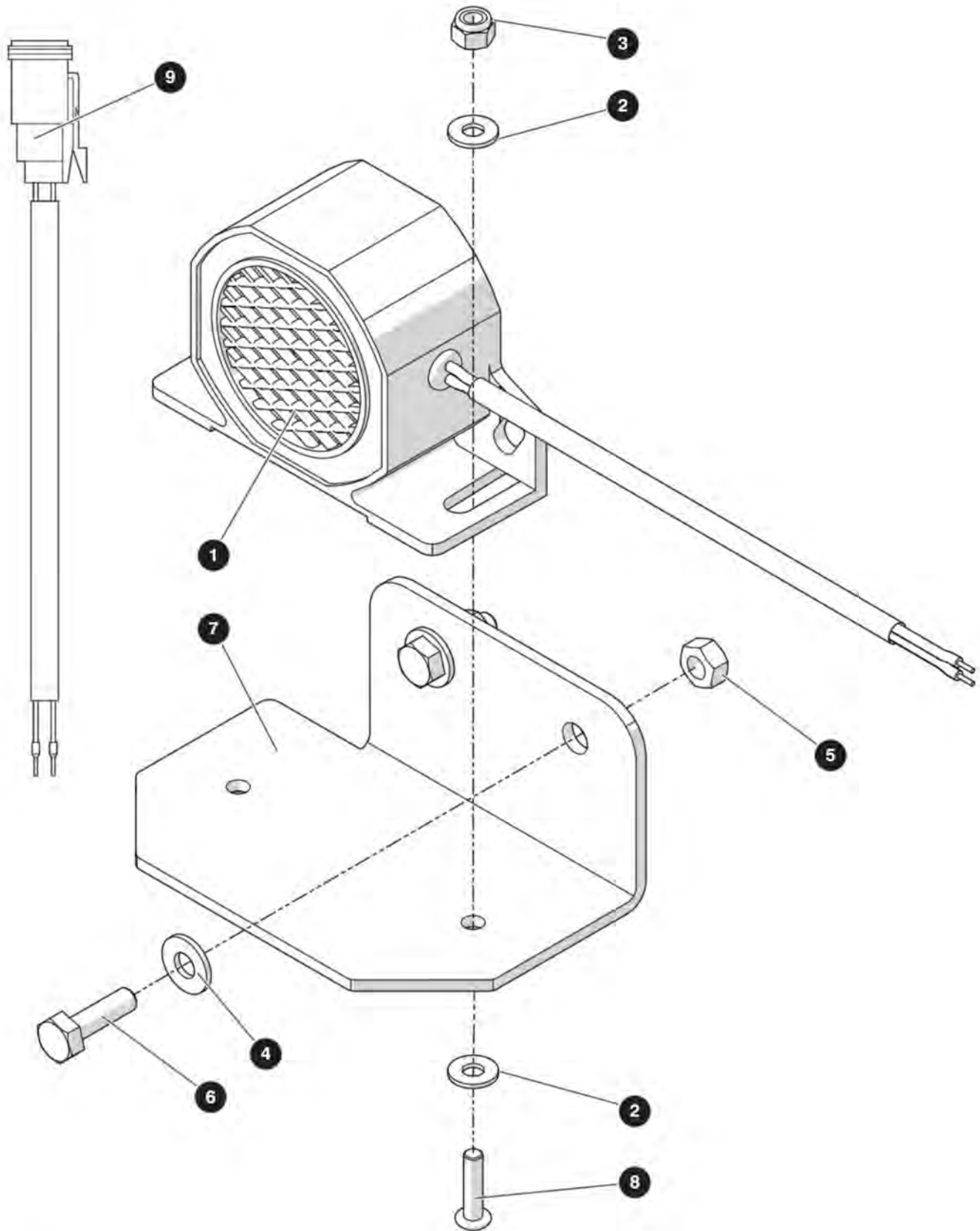
M238765AE_M238446AB

238271ACA

9.12 Positive Air Shut-off

Index No.	Skyjack Part No.	Qty.	Description
-	238446	1	POSITIVE AIR SHUT-OFF ELECTRICAL KIT - Kubota D1305
1	222023	1	• PLATE, Mount - rev limiter
2	217392	2	• BOLT, Hex head (M6 x 1 x 16, cl 8.8)
3	600190	4	• WASHER, Flat (M6)
4	800354	4	• NUT, Hex head (M6-1)
5	118369	2	• WASHER, Lock (M4)
6	223180	2	• WASHER, Flat (M4)
7	217394	2	• BOLT, Hex head (M6 x 1 x 20, cl 8.8)
8	232526	4	• BOLT, Button head cap screw (M4 x 0.7 x 6, cl 10.9)
-	238641	1	• HARNESS, Posi air (not shown)
9	171900	1	• • PLUG, Connector - 10 way
10	171901	7	• • CONTACT, Connector - female crimp terminal
11	167722	3	• • PLUG, Cavity - MX150
12	156114	1	• • CONNECTOR, 3F W/P
13	156138	3	• • TERMINAL, Female - sealed (3.0-2.0 mm W/P)
14	124369	3	• • SEAL, Wire - W-P
15	105359	3	• • TERMINAL, Female - blue (14-16GA)
16	13955	2	• • TERMNAL, Ring - blue (14-16 GA #6)
17	102936	2	• • TERMINAL, Ring - blue (14-16 GA #10)
18	102941	2	• • TERMINAL, Ring - blue (14-16 GA 3/8")
19	105360	1	• • TERMINAL, Male (14-16 GA 1/4")
20	213308	1	• LIGHT, LED - red 12 V
21	169937	1	• LABEL, Posi air shut off
-	171908	1	SHOCKER PASS KIT - Kubota D1305
22	171821	1	• LIMITER, Automatic rev - R5
23	171899	1	• BREAKER, Circuit - auto-reset (20 amp)
24	171823	1	• VALVE, Auto shut-off (1-3/4")
25	171826	1	• COVER, Safety - red
26	115574	1	• SWITCH, Toggle
27	196529	1	• INSULATOR, Stud mount - red
28	133222	2	CLAMP, Gear

9.13 White Noise Alarm



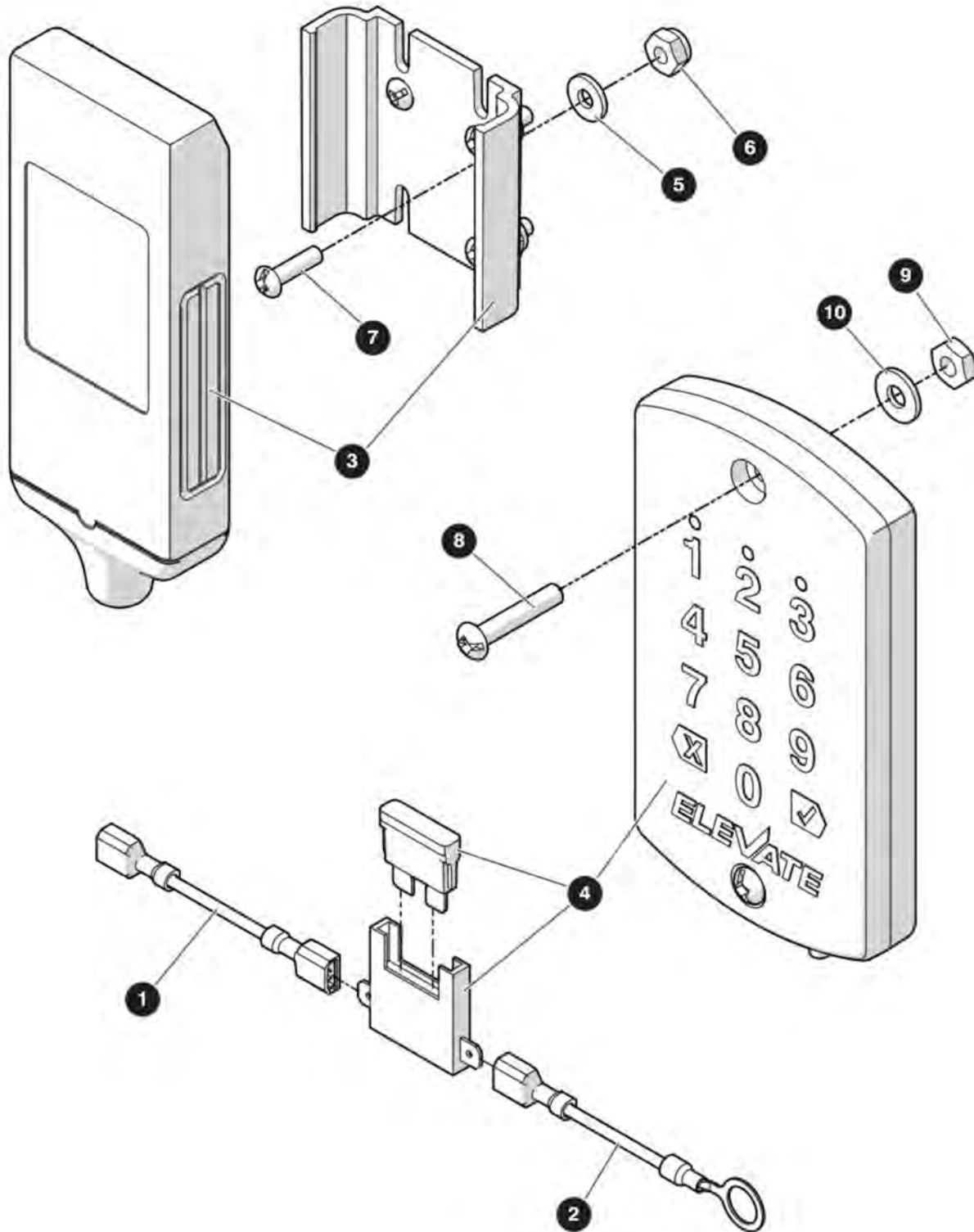
M235086AA

238271ACA


9.13 White Noise Alarm

Index No.	Skyjack Part No.	Qty.	Description
-	235091	1	WHITE NOISE ALARM
-	235087	1	• WHITE NOISE ALARM
1	239803	1	• • ALARM, White noise
2	104694	4	• • WASHER, Flat (10)
3	300450	2	• • NUT, Lock (10-32, gr 5)
4	103995	4	• • WASHER, Flat (1/4")
5	103980	2	• • NUT, Hex(1/4")
6	103891	2	• • BOLT, Hex head (1/4"-20 x 7/8", gr 5)
7	235088	1	• • BRACKET
8	104698	2	• • SCREW, Round head machine (10-32 x 3/4")
9	235098	1	• HARNESS, White noise alarm


9.14 Elevate Telematics



9.14 Elevate Telematics

Index No.	Skyjack Part No.	Qty.	Description
			 NOTE A subscription is required to use the Elevate Telematics option. Refer to "Elevate Telematics Subscription" on page 220.
A	236118	1	ELEVATE TELEMATICS WITH KEYPAD INSTALLATION KIT
B	236169	1	ELEVATE TELEMATICS WITHOUT KEYPAD INSTALLATION KIT
-	218453	1	• ELEVATE TELEMATICS INSTALLATION KIT, A
	218454	1	• ELEVATE TELEMATICS INSTALLATION KIT, B
-	236134	1	• • ELEVATE TELEMATICS ASSEMBLY, A
	236135	1	• • ELEVATE TELEMATICS ASSEMBLY, B
1	221149	1	• • • WIRE ASSEMBLY, B+
2	220577	1	• • • WIRE ASSEMBLY, B+
3	213098	1	• • • TELEMATICS, Elevate GPS ME501-4
4	213099	1	• • • TELEMATICS, Elevate keypad, A
5	191833	4	• • • WASHER, Flat (#6)
6	196306	4	• • • NUT, Lock (6-32 gr 5 nylon)
7	114678	4	• • • SCREW, Round head machine (6-32 x 1/2")
8	126499	2	• • • SCREW, Round head machine (8-32 x 7/8"), A
9	103986	2	• • • NUT, Hex (8-32), A
10	103991	2	• • • WASHER, Flat (#8), A
11	102892	20	• TIE, Cable (5-3/8") (not shown)
12	221111	1	• INSTRUCTION, Operating - Elevate telematics (not shown), A
13	236117	1	• INSTRUCTIONS, Elevate telematics installation (not shown)

9.15 Elevate Telematics Subscription

Index No.	Skyjack Part No.	Qty.	Description
			 NOTE <i>One of the following subscriptions is required to use the Elevate Telematics option.</i>
1	221153	1	SUBSCRIPTION, Elevate telematics - Monitoring (12 months)
2	221647	1	SUBSCRIPTION, Elevate telematics - Engage (12 months)
3	221348	1	SUBSCRIPTION, Elevate telematics - Engage + Access (12 months)
4	221154	1	SUBSCRIPTION, Elevate telematics - Monitoring (36 months)
5	221650	1	SUBSCRIPTION, Elevate telematics - Engage (36 months)
6	221651	1	SUBSCRIPTION, Elevate telematics - Engage + Access (36 months)
7	221155	1	SUBSCRIPTION, Elevate telematics - Monitoring (60 months)
8	221654	1	SUBSCRIPTION, Elevate telematics - Engage (60 months)
9	221655	1	SUBSCRIPTION, Elevate telematics - Engage + Access (60 months)

Section 10 – Labels

10.1 *Label Kit*

10.2 *Labels - Front and Back*

10.3 *Labels - Left & Right Sides*

10.4 *Labels - Platform*

10.5 *Labels - Controls Compartment*

10.6 *Labels - Engine Compartment*

10.1 Label Kit

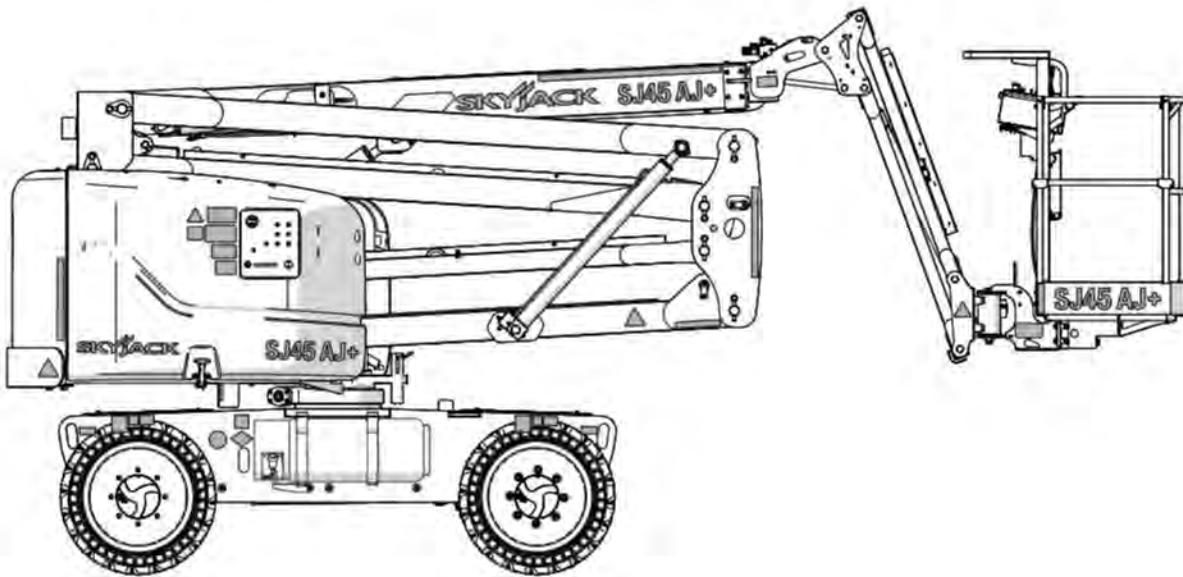
The following label kits contain all of the labels required for a complete standard machine, with the exception of:

- Serial number plates
- Engine- and fuel-specific labels (ANSI/CSA only)
- Safety tape
- Powerline clearance (AS only)

Contact Skyjack Parts to order those labels individually.

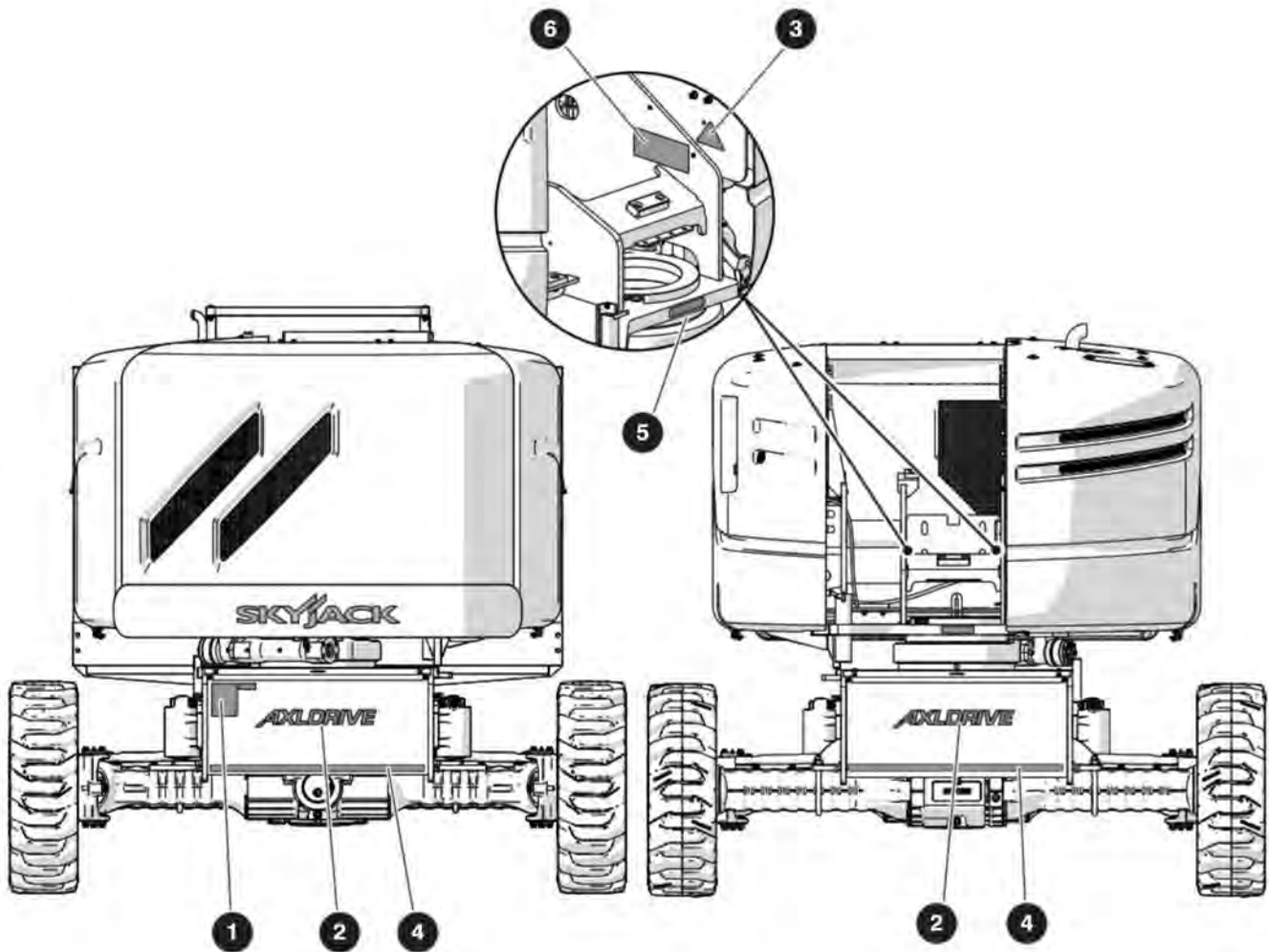
Supply the model number, country, and language when ordering label kits.

Index No.	Skyjack Part No.	Qty.	Description
-	TBD	1	LABEL KIT, SJ45 AJ+ ANSI/CSA
-	TBD	1	LABEL KIT, SJ45 AJ+ CE
-	TBD	1	LABEL KIT, SJ45 AJ+ AS



SKYJACK

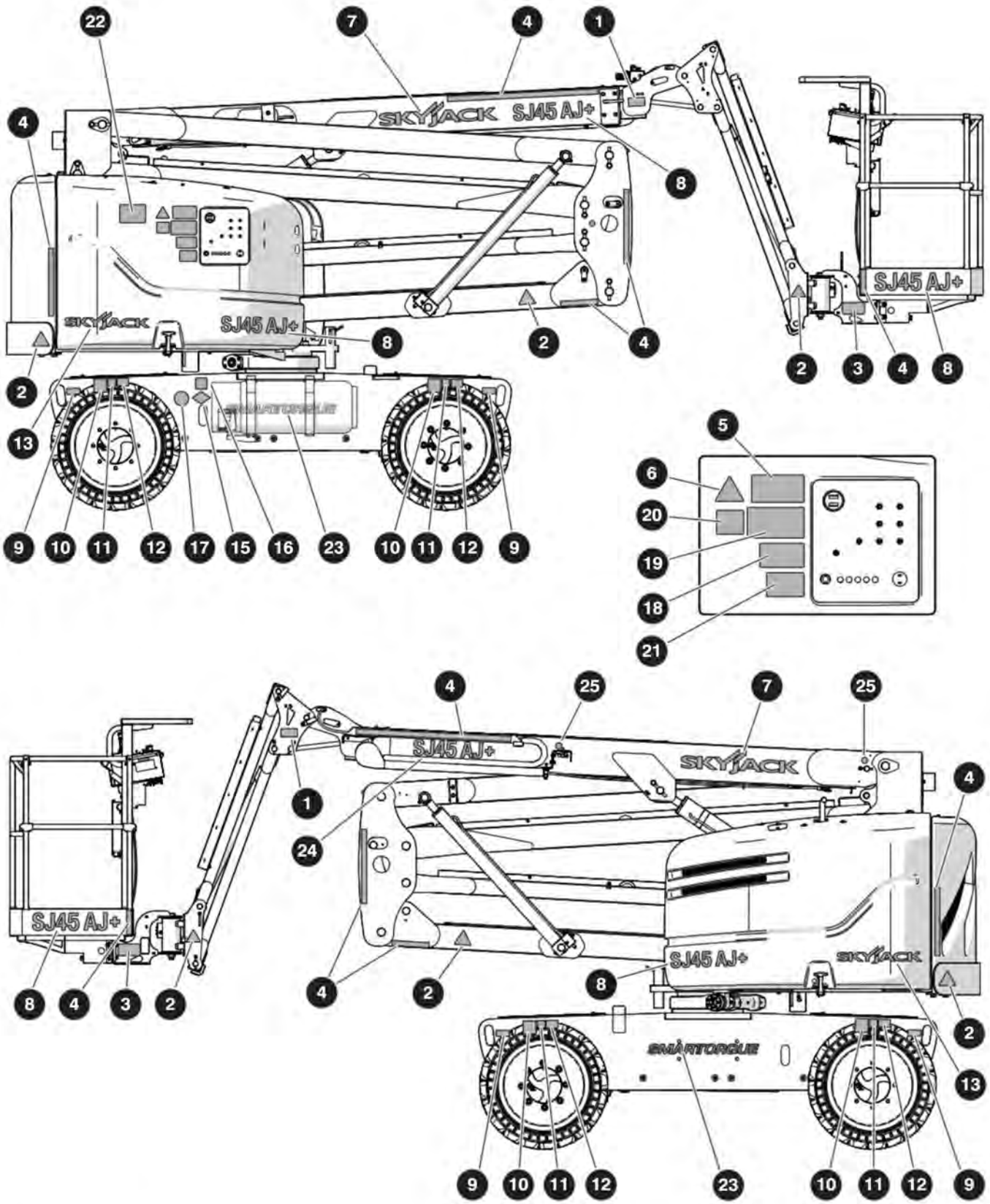
10.2 Labels - Front and Back



M173532AA_FB

Index No.	Skyjack Part No.	Qty.	Description
1	(Ref.)	1	LABEL, Serial plate <i>(please consult factory)</i>
2	173302	2	LABEL, Axle drive
3	223640	2	LABEL, Body crush
4	119803	60"	TAPE, Caution - 1"
5	138211	1	LABEL, Connect AC supply
6	172680	2	LABEL, Maintenance stand

10.3 Labels - Left & Right Sides



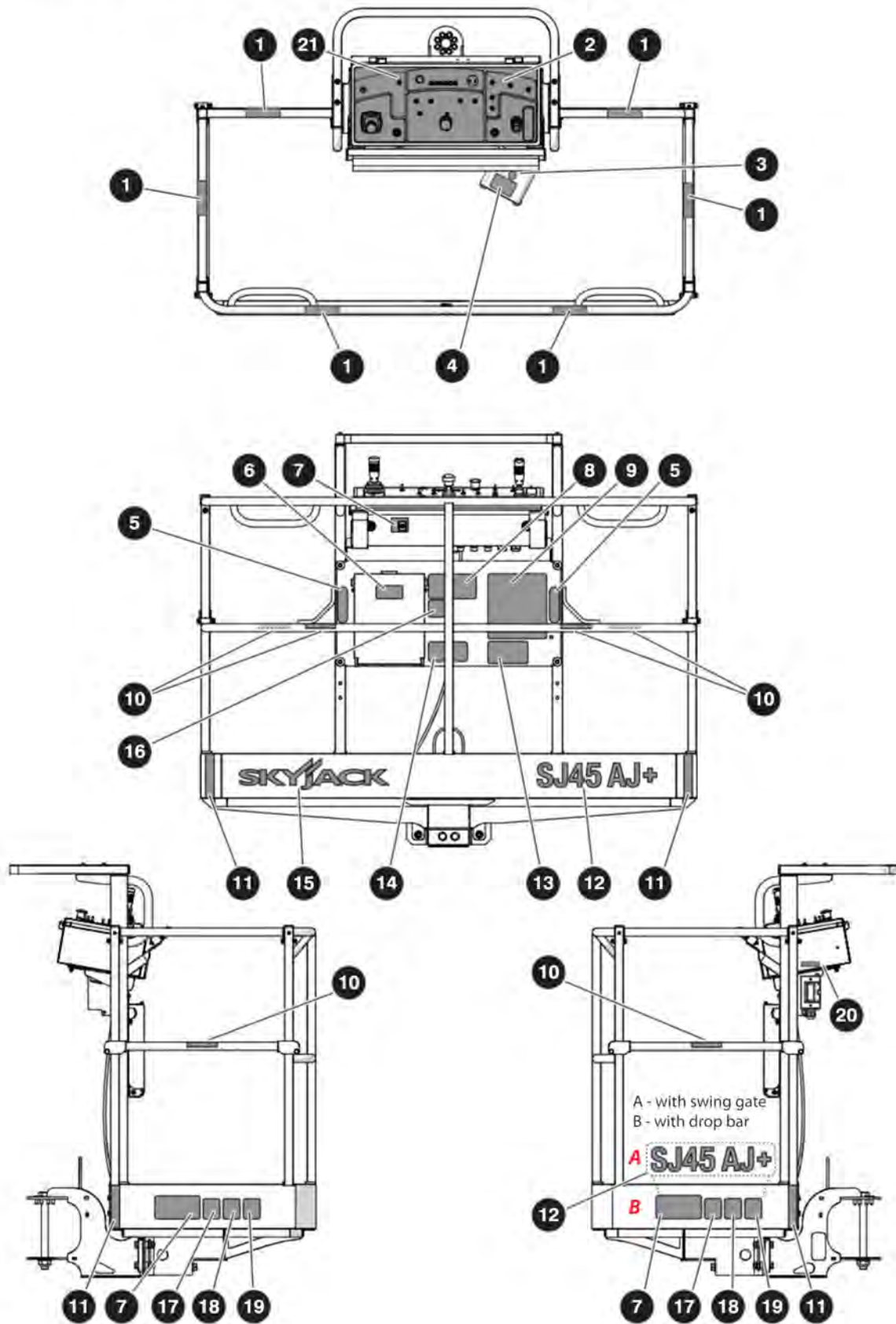
M173506AB_M173504AB_CS

238271ACA

10.3 Labels - Left & Right Sides

Index No.	Skyjack Part No.	Qty.	Description
1	137988	2	LABEL, Crush/Pinch point
2	223640	6	LABEL, Body crush
3	147111	2	LABEL, Transportation tie down points
4	119803	A/R	TAPE, Caution - 1"
5	172656	1	LABEL, Annual inspection
6	172695	1	LABEL, Warning annual inspection
7	158555	2	LABEL, Skyjack logo (29")
8	237733	5	LABEL, SJ45 AJ+ (19")
9	124767	9	LABEL, Tie down/lift lugs
10	124631	9	LABEL, Wheel info
11	173858	9	LABEL, Wheel load 2725 kg/6000 lb
12	173202	9	LABEL, Tip over hazard
13	158554	2	LABEL, Skyjack logo (20")
15	120390	1	LABEL, Propane - Kubota WG972
16	103023	1	LABEL, LPG fuel - Kubota WG972
17	138146	1	LABEL, No smoking - Kubota WG972
18	(Ref.)	1	LABEL, QR code (consult factory)
19	173193	1	LABEL, Emergency lowering at base controls
20	172939	1	LABEL, Emergency lowering identification
21	173002	1	LABEL, Elevate telematics - option
22	161631	1	LABEL, Power line clearance - AS
23	238860	2	LABEL, Smarttorque - ANSI/CSA & AS
	238861	2	LABEL, Smarttorque stage V - CE
24	237734	1	LABEL, SJ45 AJ+ (26")
25	156613	2	LABEL, Do not alter

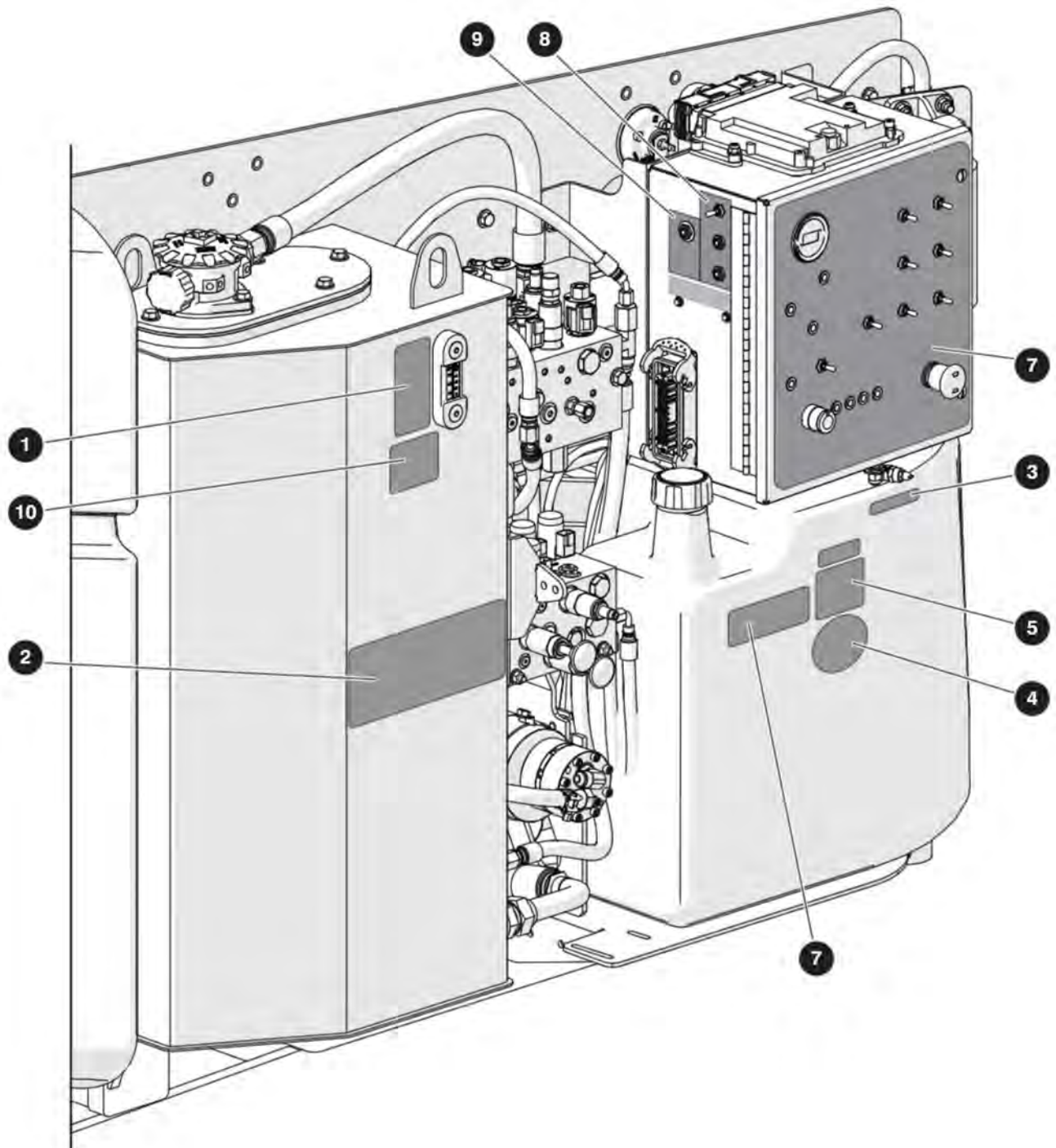
10.4 Labels - Platform



10.4 Labels - Platform

Index No.	Skyjack Part No.	Qty.	Description
1	137988	6	LABEL, Crush/Pinch point
2	218299	1	LABEL, Platform Control box
3	156613	1	LABEL, Do not alter
4	143638	1	LABEL, Footswitch enable (on/off)
5	172639	2	LABEL, Harness anchorage
6	123628	1	LABEL, Manual box
7	231398	1	LABEL, Glazier/pipe rack override switch
8	173608	2	LABEL, Platform capacity (300 kg kg/600 lb), A
	173608	3	LABEL, Platform capacity (300 kg kg/600 lb), B
9	173192	1	LABEL, Danger/warning booms
10	173717	6	LABEL, Warning no step
11	119803	24"	LABEL, Caution tape
12	237733	1	LABEL, SJ45AJ (12"), A
	237733	2	LABEL, SJ45AJ (12"), B
13	147043	1	LABEL, AWPT "Click It!"
14	173081	1	LABEL, California proposition 65
15	158554	1	LABEL, Skyjack logo
16	173202	1	LABEL, Tip over hazard
17	159513	1	LABEL, Daily inspection, A
	159513	2	LABEL, Daily inspection, B
18	172693	1	LABEL, Non-insulated, A
	172693	2	LABEL, Non-insulated, B
19	124362	1	LABEL, Warning do not wear jewelry, A
	124362	2	LABEL, Warning do not wear jewelry, B
20	138211	1	LABEL, Connect AC supply
21	233865	1	LABEL, EcoStart

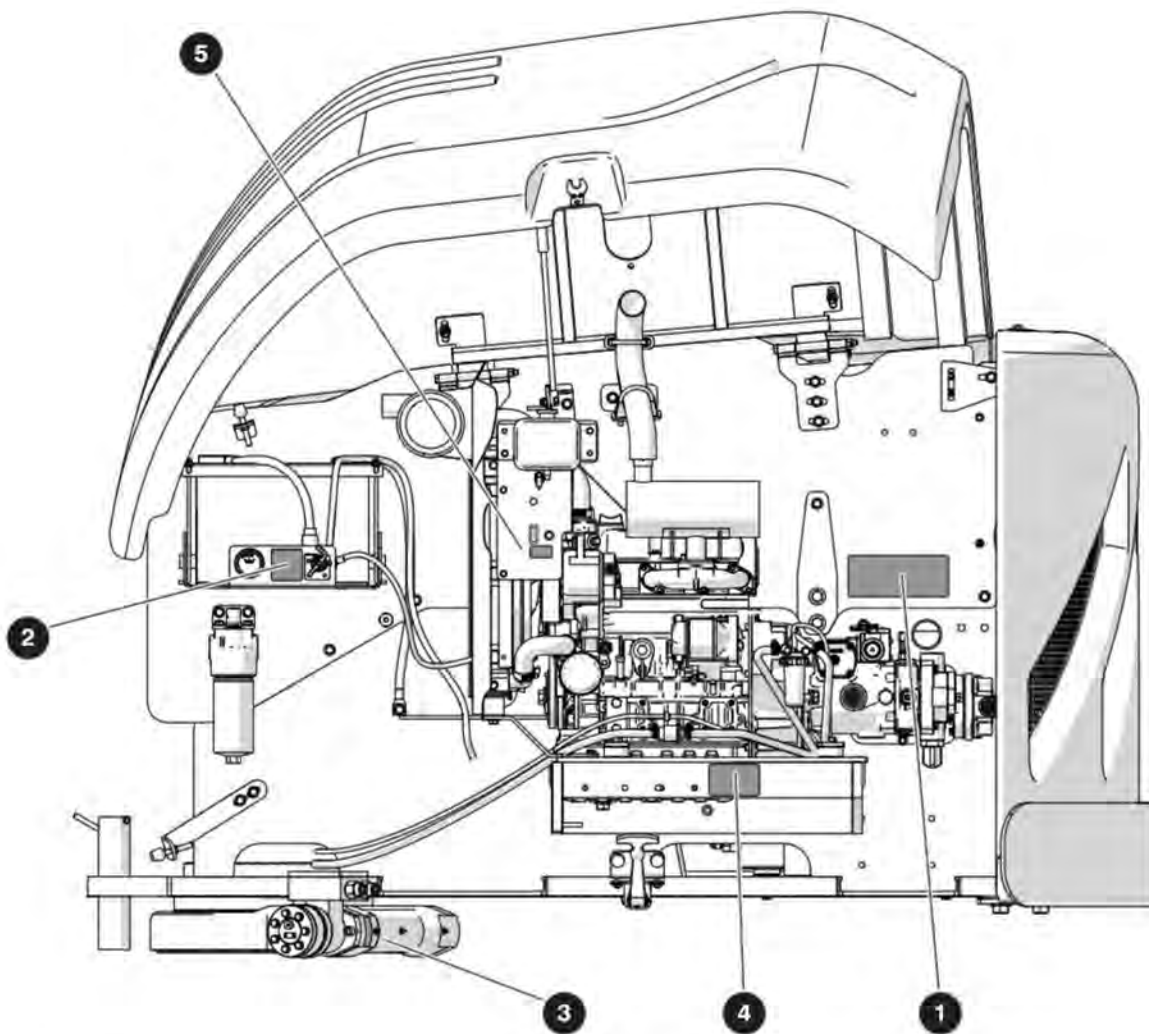
10.5 Labels - Controls Compartment



10.5 Labels - Controls Compartment

Index No.	Skyjack Part No.	Qty.	Description
1	146016	1	LABEL, Hydraulic oil level (min/max)
2	223638	1	LABEL, Winch/tow procedure
3	172512	1	LABEL, Grease point, Mobilgrease 462 Moly
4	138146	1	LABEL, No smoking
5	162852	1	LABEL, Ultra low sulfur diesel fuel only - Kubota D1305
	132400	1	LABEL, Unleaded gasoline only - Kubota WG972
6	168457	1	LABEL, Open fuel cap slowly - Kubota WG972
7	218265	1	LABEL, Base control box
8	218362	1	LABEL, Side - CB1 & CB2
9	218636	1	LABEL, Side - CB3 & CB4
10	102961	1	LABEL, ATF Dexron - Standard and cold weather options
	144633	1	LABEL, Arctic hydraulic oil - Arctic weather option

10.6 Labels - Engine Compartment



M173506AA_EC

Index No.	Skyjack Part No.	Qty.	Description
1	223638	1	LABEL, Winch/tow procedure
2	119674	1	LABEL, Battery disconnect switch
3	172512	1	LABEL, Grease point, Mobilgrease 462 Moly
4	(ref.)	1	LABEL, QR code (consult factory)
5	169923	1	LABEL, Positive air shut-off - option

SKYJACK

www.skyjack.com