

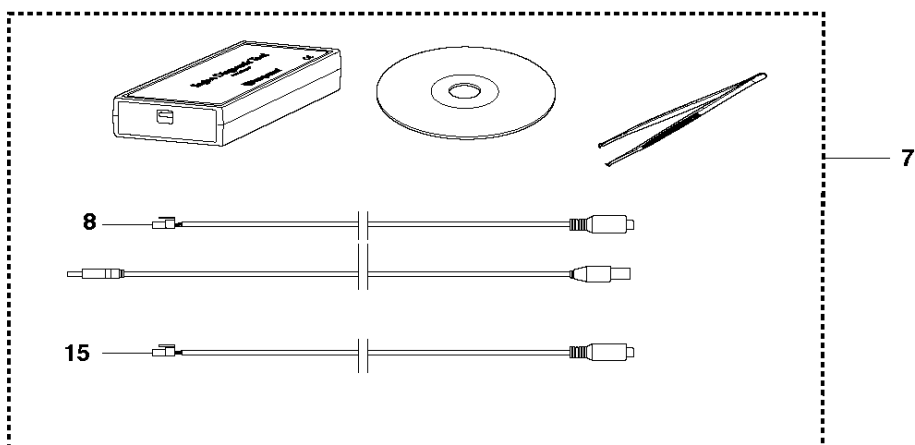
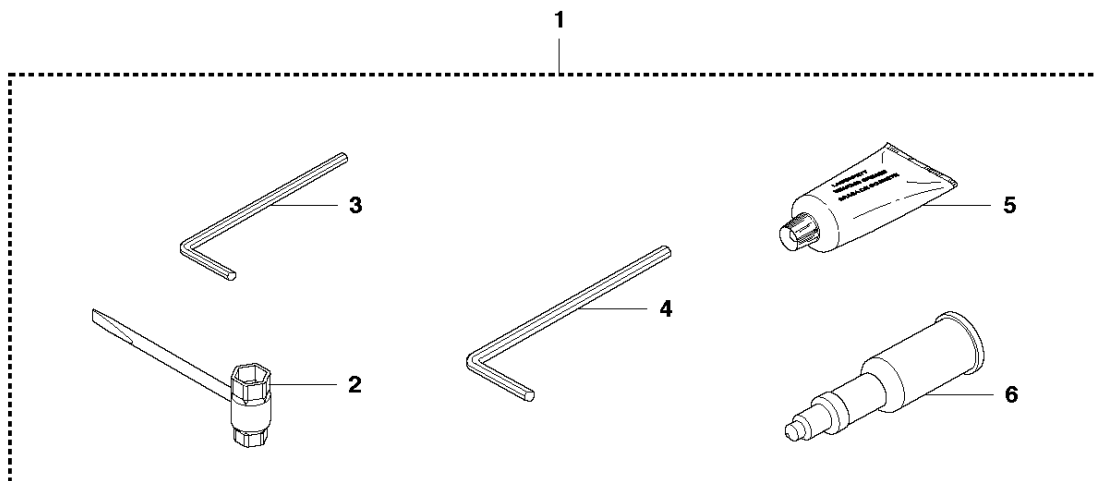


SPARE PARTS LIST

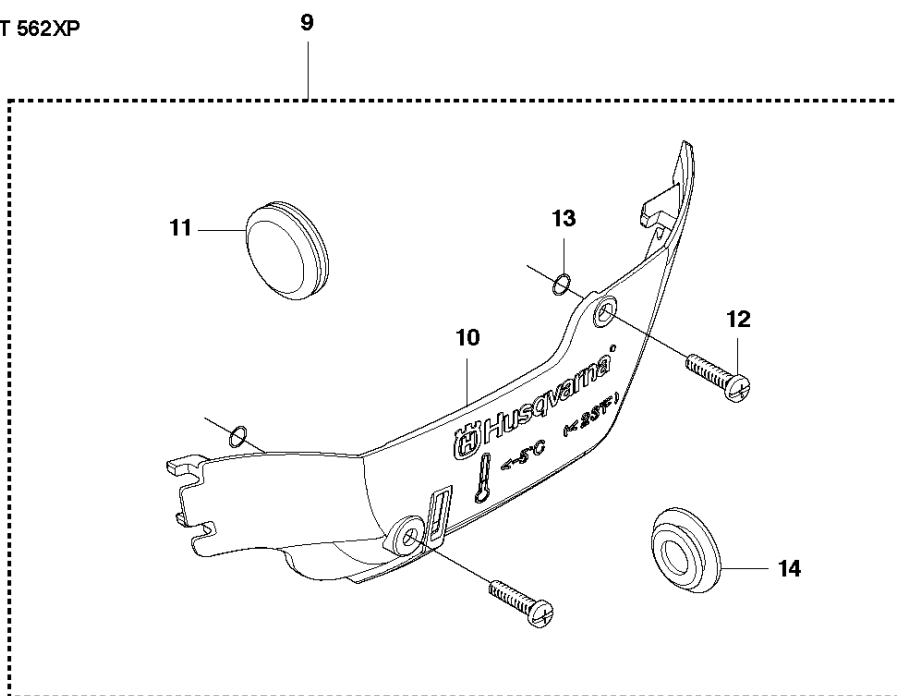
CHAIN SAWS

562 XP/XPG, 2013-01

P 562XP
ACCESSORIES



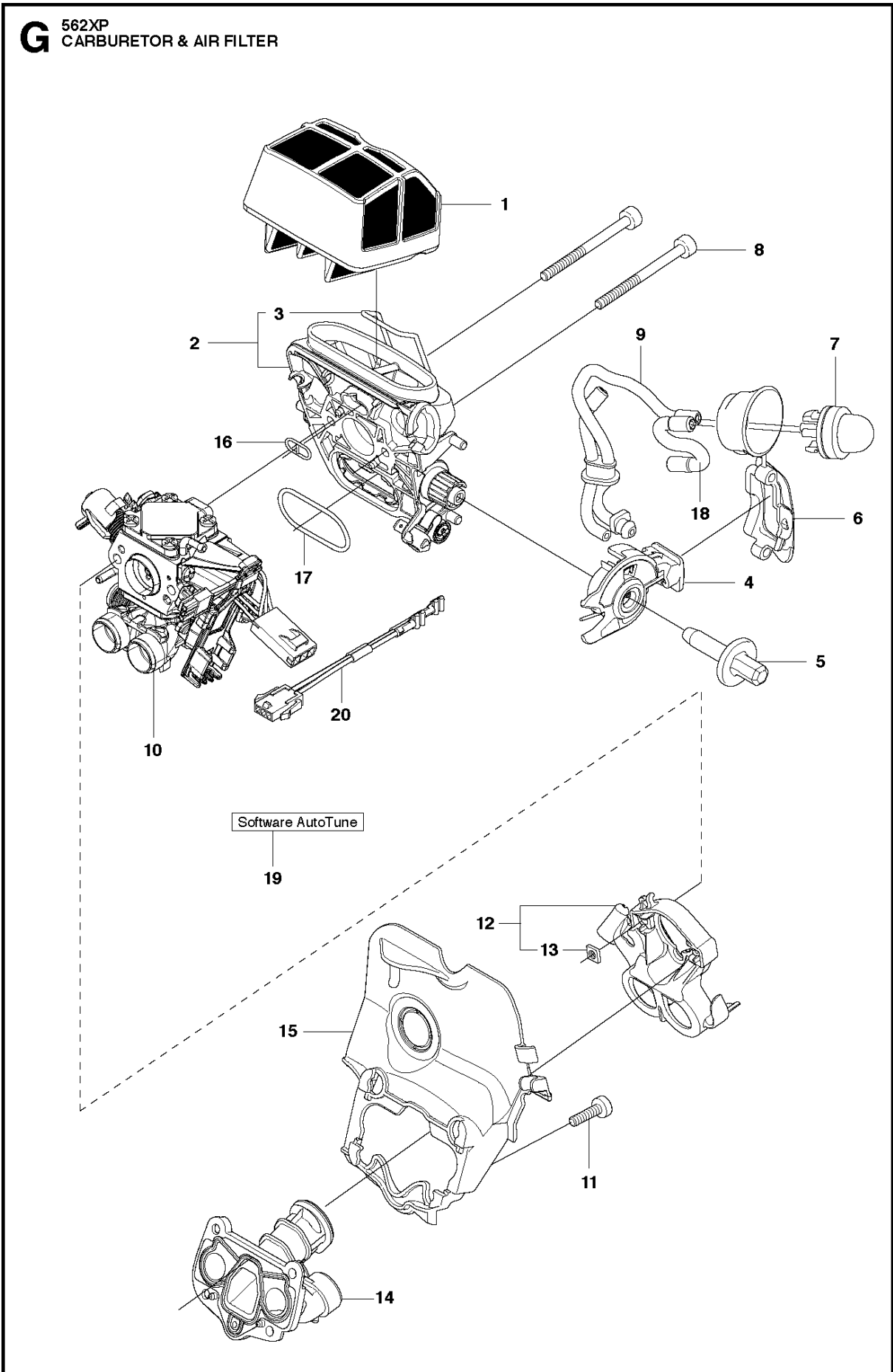
WINTER KIT 562XP



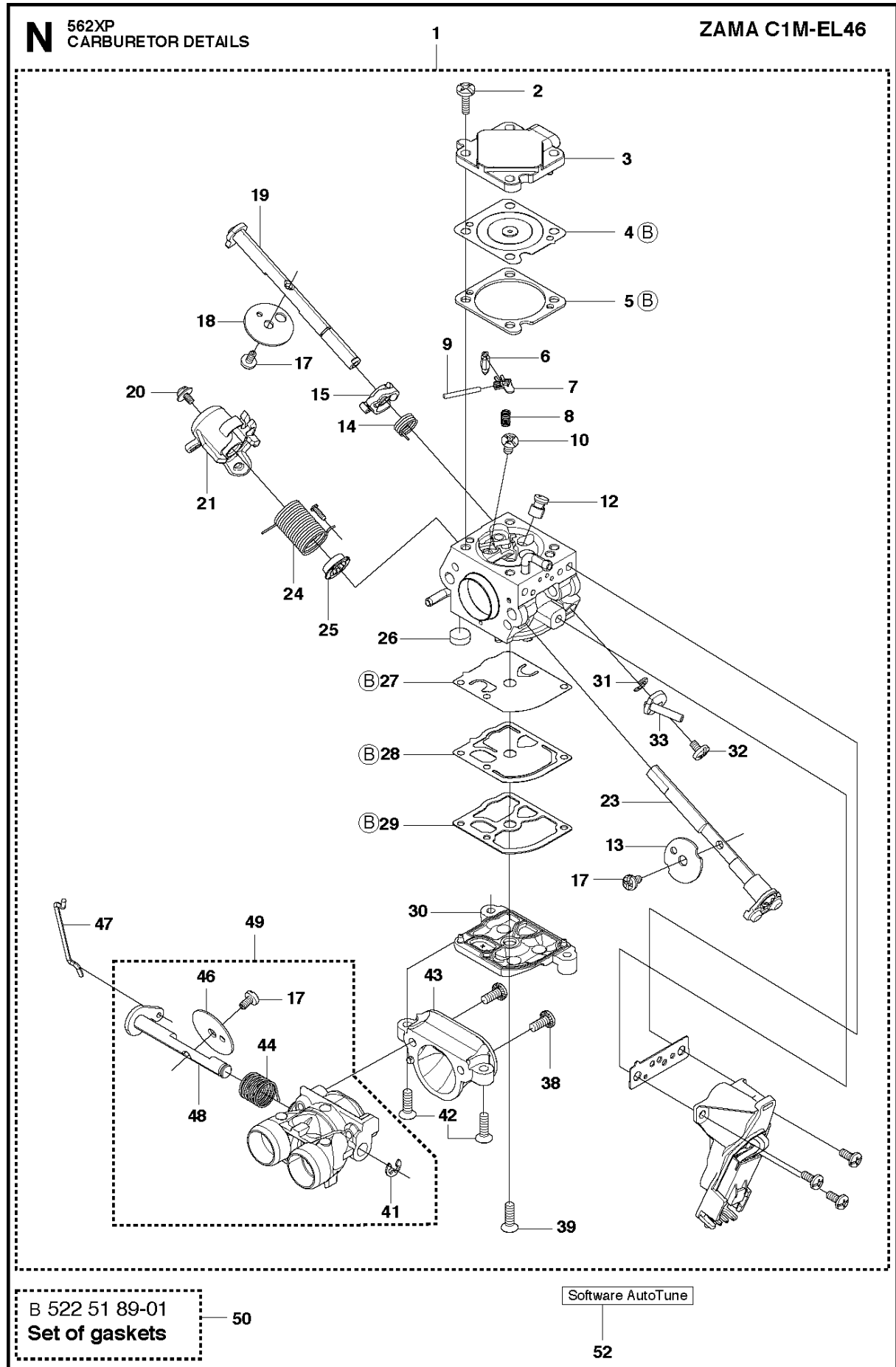
ACCESSORIES

562 XP/XPG, 2013-01

Ref	Part no.	Description	Remark	Qty	Kit
1	575 43 92-01	TOOL		1	
2	522 52 11-01	COMBINATION WRENCH		1	1
3	503 55 86-01	SPANNER		1	1
4	503 55 86-02	SPANNER		1	1
5	503 62 12-01	GREASE		1	1
6	501 91 14-01	GREASE GUN		1	1
7	576 69 23-01	SERVICE TOOLS	Engine diagnostic tool	1	
8	576 18 34-01	CABLE ASSY	Diagnostics cable 14 Mhz	1	7
9	522 98 65-02	WINTER KIT		1	
10	505 16 61-01	WINTER COVER		1	9
11	503 40 59-01	WINTER PLUG		1	9
12	503 21 70-16	SCREW CCRPANT		2	9
13	740 42 01-00	O-RING		2	9
14	578 12 55-01	WINTER PLUG		1	9
15	576 95 22-01	CABLE ASSY	Diagnostics cable 8 MHz	1	7



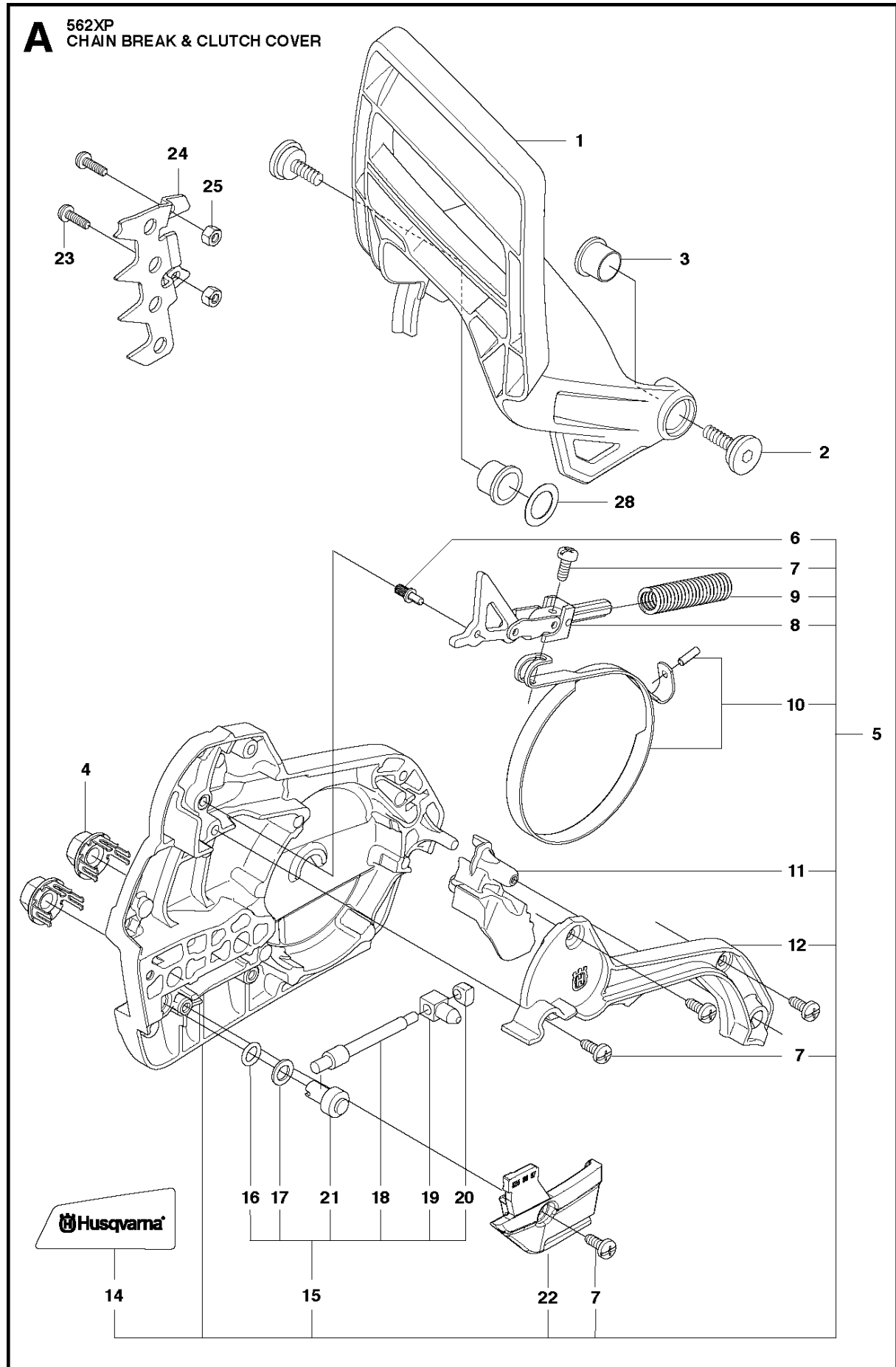
Ref	Part no.	Description	Remark	Qty	Kit
1	522 67 50-01	AIR FILTER ASSY	NYLON 80 µm black	1	
1	522 67 50-02	AIR FILTER ASSY	NYLON 44 µm yellow	1	
1	522 67 50-03	AIR FILTER ASSY	FELT white	1	
2	505 12 70-03	FILTER HOLDER ASSY	XP	1	
2	505 12 70-04	FILTER HOLDER ASSY	XPG	1	
3	505 17 69-01	SHACKLE		1	2
4	510 01 72-01	CHOKE CONTROL ASSY		1	
5	505 15 62-01	SCREW		1	
6	525 58 81-01	SEALING		1	
7	503 93 66-01	PRIMER HOUSING		1	
8	503 20 25-50	SCREW IHSCM		2	
9	525 34 43-02	FUEL HOSE		1	
10	579 19 41-05	CARBURETTOR		1	
11	510 02 06-01	SCREW IHSCM		4	
12	505 16 52-01	FLANGE		1	
13	503 22 65-03	SQUARE NUT		2	12
14	520 29 10-01	INLET PIPE		1	
15	520 29 09-01	INTERMEDIATE WALL		1	
16	525 61 92-01	SEALING		1	
17	525 61 90-01	SEALING		1	
18	523 05 68-01	FUEL HOSE		1	
19	.	TBD	Download from your local supportsite		
20	577 53 64-01	WIRING ASSY		1	



CARBURETOR DETAILS

562 XP/XPG, 2013-01

Ref	Part no.	Description	Remark	Qty	Kit
1	579 19 41-05	CARBURETTOR		1	
2	522 54 51-01	SCREW		4	1
3	522 51 72-01	COVER		1	1
4	522 51 74-01	DIAPHRAGM		1	1, 50
5	522 51 75-01	GASKET		1	1, 50
6	503 47 97-01	VALVE		1	1
7	503 66 59-01	LEVER		1	1
8	537 38 34-01	SPRING		1	1
9	503 48 00-01	PIN RETAINING SCREW		1	1
10	503 48 01-01	SCREW		1	1
12	576 41 42-01	MAIN NOZZLE		1	1
13	523 07 72-01	VALVE		1	1
14	522 51 87-01	SPRING		1	1
15	522 51 77-01	LEVER		1	1
17	503 48 18-01	SCREW		3	1
18	504 62 77-01	CHOKE VALVE		1	1
19	522 51 83-01	SHAFT ASSY		1	1
20	502 07 84-01	SCREW		1	1
21	522 51 78-01	THROTTLE LEVER		1	1
23	522 51 85-01	THROTTLE SHAFT		1	1
24	502 07 87-01	SPRING		1	1
25	502 07 98-01	COLLAR		1	1
26	503 53 57-01	STRAINER		1	1
27	537 38 31-01	DIAPHRAGM PUMP		1	1, 50
28	537 40 33-01	DIAPHRAGM		1	1, 50
29	537 02 01-01	GASKET PUMP		1	1, 50
30	575 54 43-01	COVER		1	1
31	504 02 67-01	CIRCLIP		1	1
32	503 47 90-01	SCREW		1	1
33	522 51 76-01	CHOKE LEVER		1	1
38	506 39 66-01	SCREW		5	1
39	522 51 81-01	SCREW		1	1
41	537 38 52-01	CLIP		1	1
42	522 51 80-01	SCREW		2	1
43	575 54 44-01	INLET		1	1
44	522 51 86-01	SPRING		1	1
46	537 17 70-01	VALVE		1	1
47	522 51 79-01	ROD		1	1
48	522 51 82-01	SHAFT ASSY		1	1
49	578 22 78-01	THROTTLE VALVE ASSY		1	1
50	522 51 89-01	KIT	B=set of gaskets	1	
52	.	TBD	Download from your local supportsite		

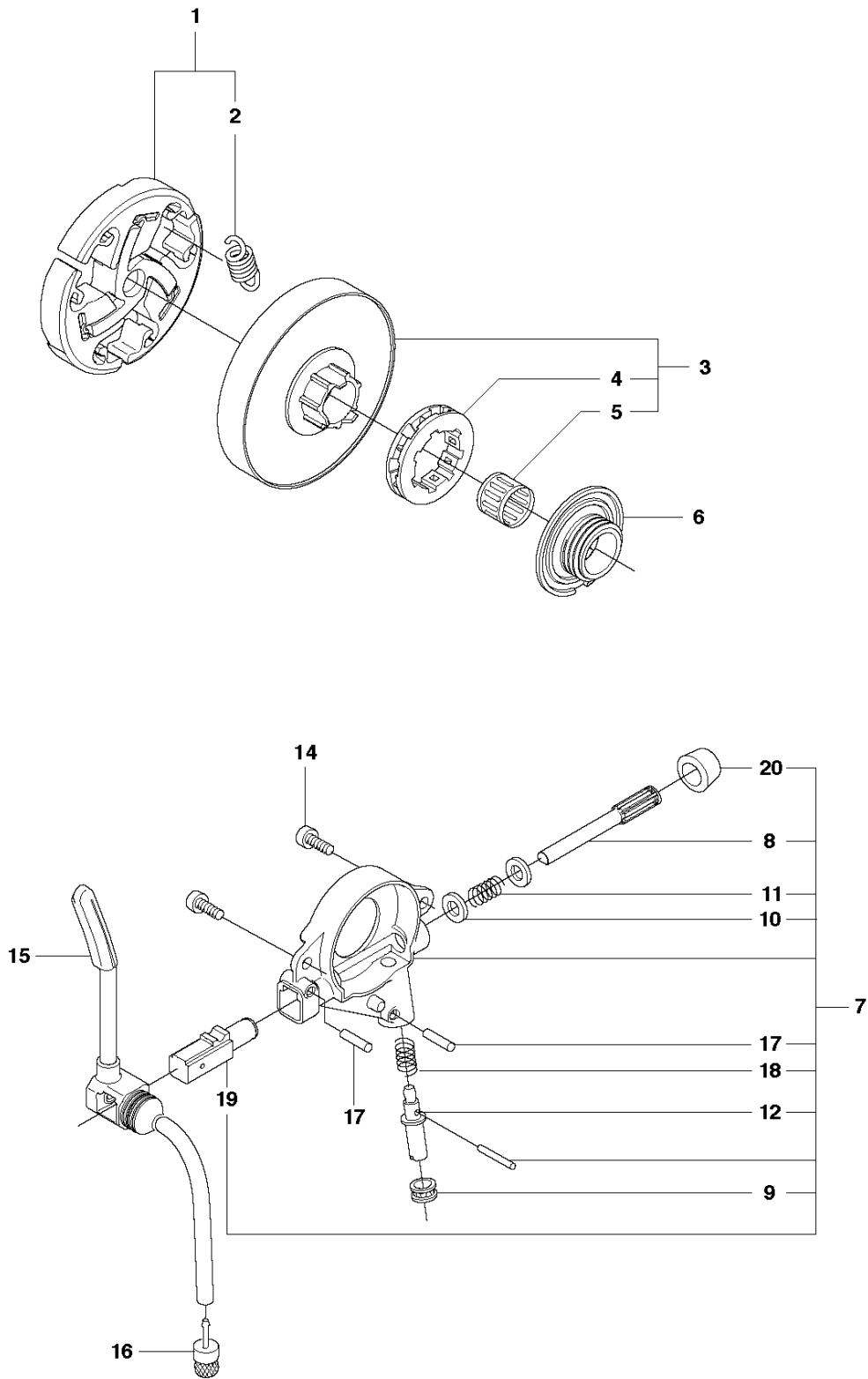


CHAIN BRAKE & CLUTCH COVER

562 XP/XPG, 2013-01

Ref	Part no.	Description	Remark	Qty	Kit
1	525 25 06-01	HAND GUARD		1	
2	537 20 90-01	SCREW		2	
3	537 20 28-01	BUSHING		2	
4	505 19 73-01	NUT RETAINER ASSY		2	
5	525 74 33-01	CLUTCH COVER ASSY		1	
6	503 75 18-01	PIN KNEE-JOINT		1	5
7	503 21 70-10	SCREW CCRPANT		5	5
8	505 19 93-01	KNEE JOINT ASSY		1	5
9	503 90 83-01	BRAKE SPRING		1	5
10	505 19 95-01	BRAKE BAND ASSY		1	5
11	505 20 16-01	GUARD		1	5
12	505 19 97-01	COVER		1	5
14	523 05 80-01	LABEL		1	5
15	575 26 04-02	CHAIN TENSIONER KIT		1	5
16	740 48 07-02	O-RING		1	15
17	503 23 00-63	WASHER		1	15
18	575 64 58-01	WORM SCREW		1	15
19	503 99 83-01	PAWL		1	15
20	537 01 74-01	BEARING SLEEVE		1	15
21	537 07 94-03	WORM WHEEL		1	15
22	525 38 87-01	CHAIN GUIDE		1	5
23	503 21 26-16	SCREW IHANM		2	
24	577 97 52-01	SPIKE OUTER		1	
25	503 22 24-01	LOCKING NUT		2	
28	503 23 00-85	WASHER STEEL		1	

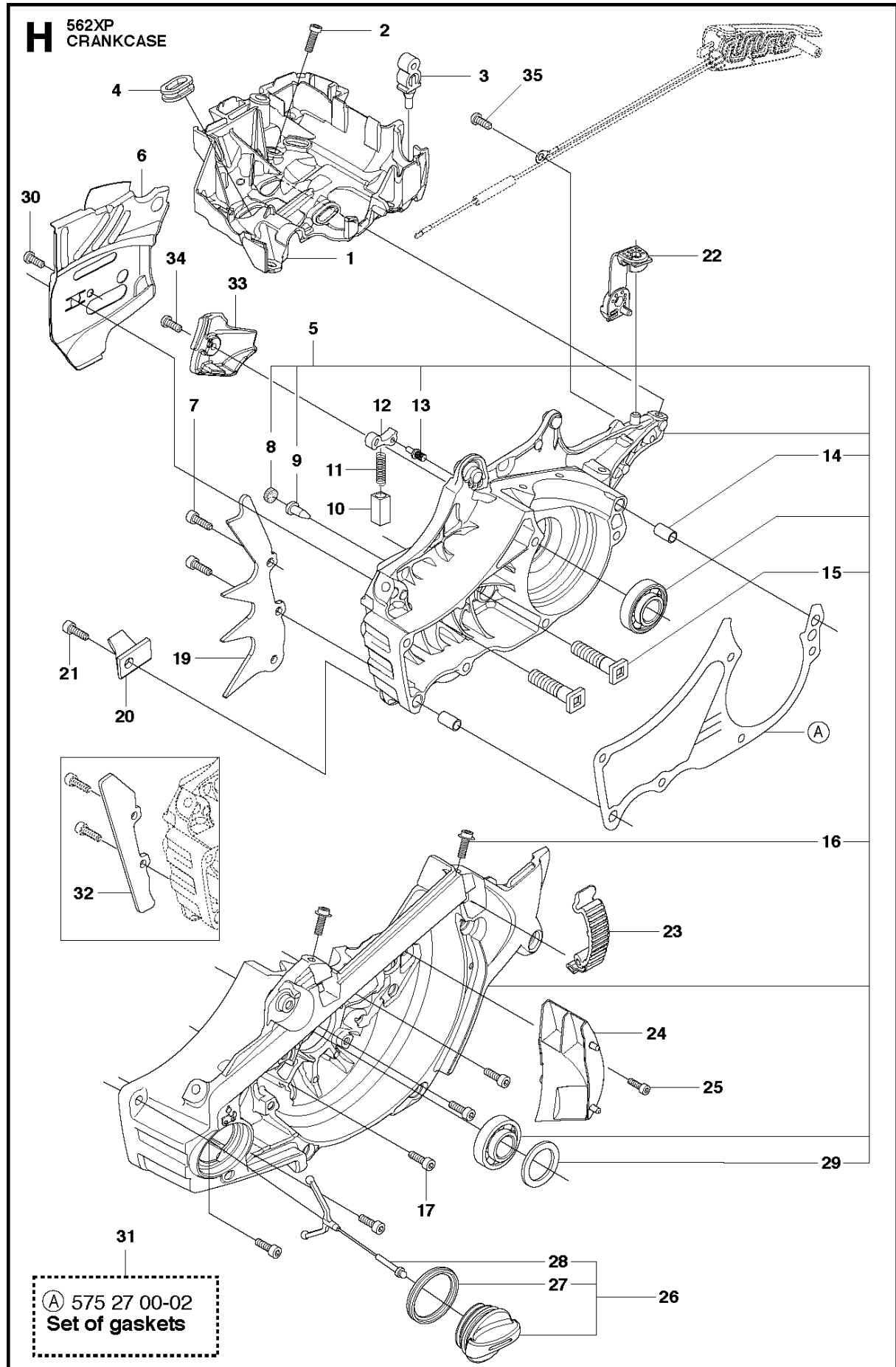
B 562XP
CLUTCH & OIL PUMP



CLUTCH & OIL PUMP

562 XP/XPG, 2013-01

Ref	Part no.	Description	Remark	Qty	Kit
1	574 23 61-02	CLUTCH ASSY		1	
2	580 65 35-01	CLUTCH SPRING		3	1
3	575 26 10-03	CLUTCH DRUM ASSY		1	
3	575 26 10-04	CLUTCH DRUM ASSY	"3/8"x7"	1	
4	501 45 74-02	RIM		1	3
4	501 59 80-02	RIM	"3/8"x7"	1	3
5	503 25 34-01	NEEDLE BEARING		1	3
6	577 54 81-01	WORM WHEEL		1	
7	505 19 99-03	OIL PUMP ASSY		1	
8	505 20 02-03	PUMP PISTON		1	7
9	505 20 03-01	CASING		1	7
10	503 23 00-60	WASHER		2	7
11	503 89 16-01	SPRING		1	7
12	505 15 70-01	ADJUSTING SCREW		1	7
14	510 02 06-01	SCREW IHSCM		2	
15	575 84 78-01	OIL HOSE		1	
16	504 71 00-03	OIL PLUMMET		1	
17	720 12 33-00	PARALLEL PIN		2	7
18	503 89 15-01	SPRING		1	7
19	505 20 01-01	PUMP CYLINDER		1	7
20	503 62 49-02	SEALING PLUG		1	7

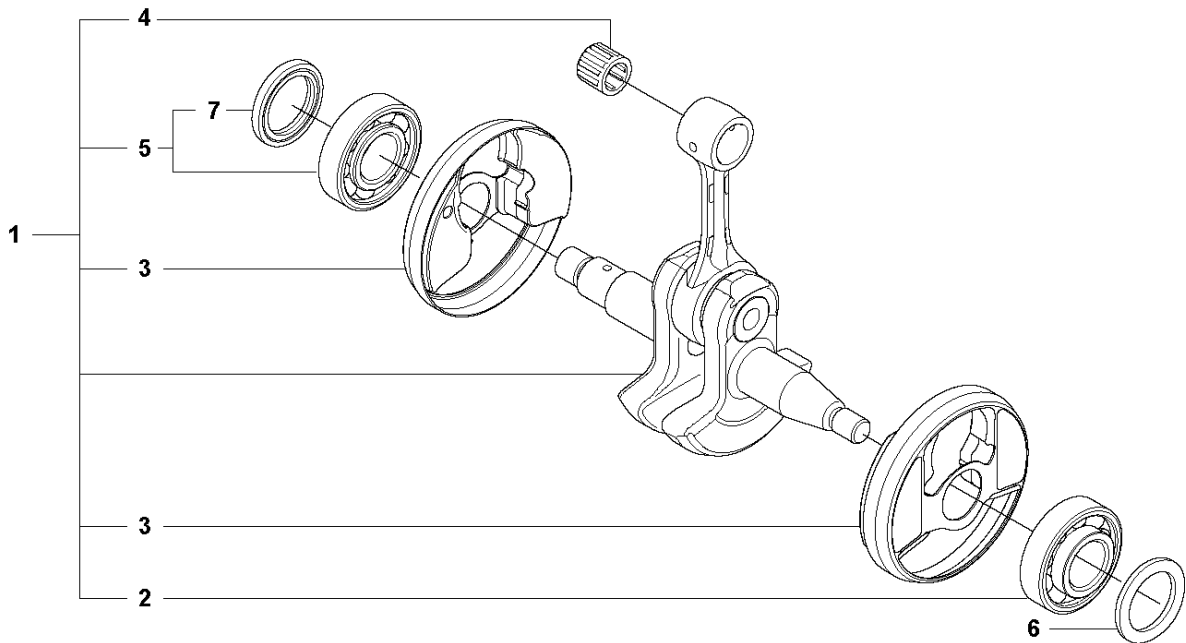


CRANKCASE

562 XP/XPG, 2013-01

Ref	Part no.	Description	Remark	Qty	Kit
1	505 15 86-01	CARBURETTOR AREA BASE		1	
2	503 20 02-16	SCREW IHSCFM		4	
3	503 86 93-01	CARBURETTOR MOUNTING		2	
4	537 08 83-01	GROMMET		1	
5	575 38 02-03	CRANKCASE ASSY		1	
6	522 74 29-01	CHAIN GUIDE PLATE		1	
7	503 21 26-16	SCREW IHPANM		2	
8	537 40 35-01	FILTER		1	5
9	530 02 61-19	CHECK VALVE		1	5
10	537 21 07-01	SPRING GUIDE		1	
11	503 43 65-01	POSITION SPRING		1	
12	505 20 12-01	CATCH		1	
13	503 75 18-01	PIN KNEE-JOINT		1	5
14	501 27 08-01	GUIDE BUSHING		2	5
15	522 89 38-01	BAR BOLT		2	5
16	505 11 15-01	SCREW IHSCM		2	5
17	503 20 08-03	SCREW IHSCM		5	
19	577 93 52-01	SPIKES		1	
20	522 89 39-01	CHAIN CATCHER		1	
21	503 21 79-20	SCREW IHST		1	
22	505 12 58-01	DEFLECTION LIMITER		1	
23	503 89 47-03	SNAP		3	
24	520 29 12-01	AIR NOZZLE		1	
25	510 02 06-01	SCREW IHSCM		1	
26	544 11 12-01	TANK CAP ASSY		1	
27	537 21 50-01	SEALING		1	26
28	503 57 89-03	HOLDER		1	26
29	525 39 12-01	RADIAL SEAL		2	5
30	525 88 74-01	SCREW CITXPANT		1	
31	575 27 00-02	GASKET KIT	A=set of gaskets	1	
32	574 88 98-01	ENCLOSED KIT		1	
33	577 38 68-01	CHAIN GUIDE		1	
34	503 21 28-13	SCREW CCRPANT		1	
35	526 22 18-01	SCREW CITXPANT		1	

E 562XP
CRANKSHAFT

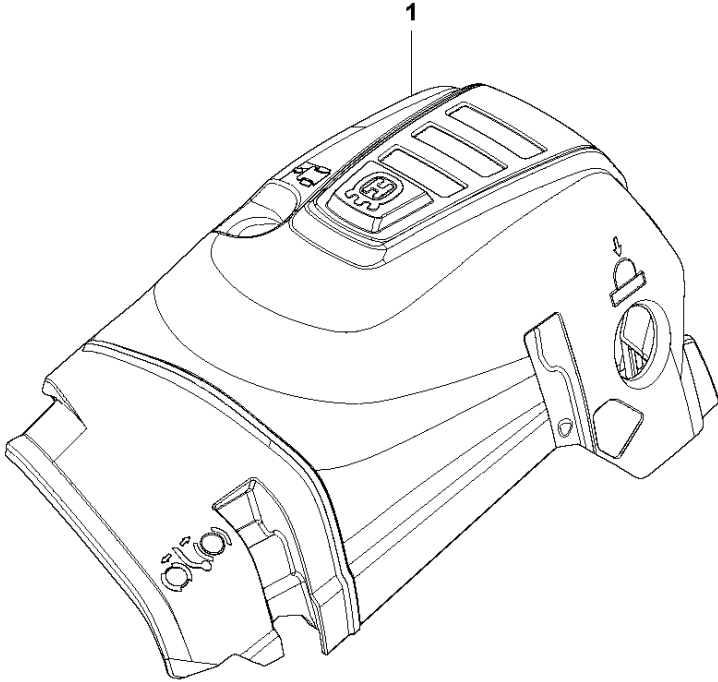


CRANKSHAFT

562 XP/XPG, 2013-01

Ref	Part no.	Description	Remark	Qty	Kit
1	575 54 52-03	CRANKSHAFT ASSY		1	
2	505 13 35-01	BALL BEARING		1	1
3	505 13 36-01	CUP		2	1
4	503 25 63-01	NEEDLE BEARING		1	1
5	525 43 42-01	BALL BEARING		1	1
6	525 39 12-01	RADIAL SEAL		1	
7	505 41 61-01	RADIAL SEAL		1	1, 5

C 562XP
CYLINDER COVER

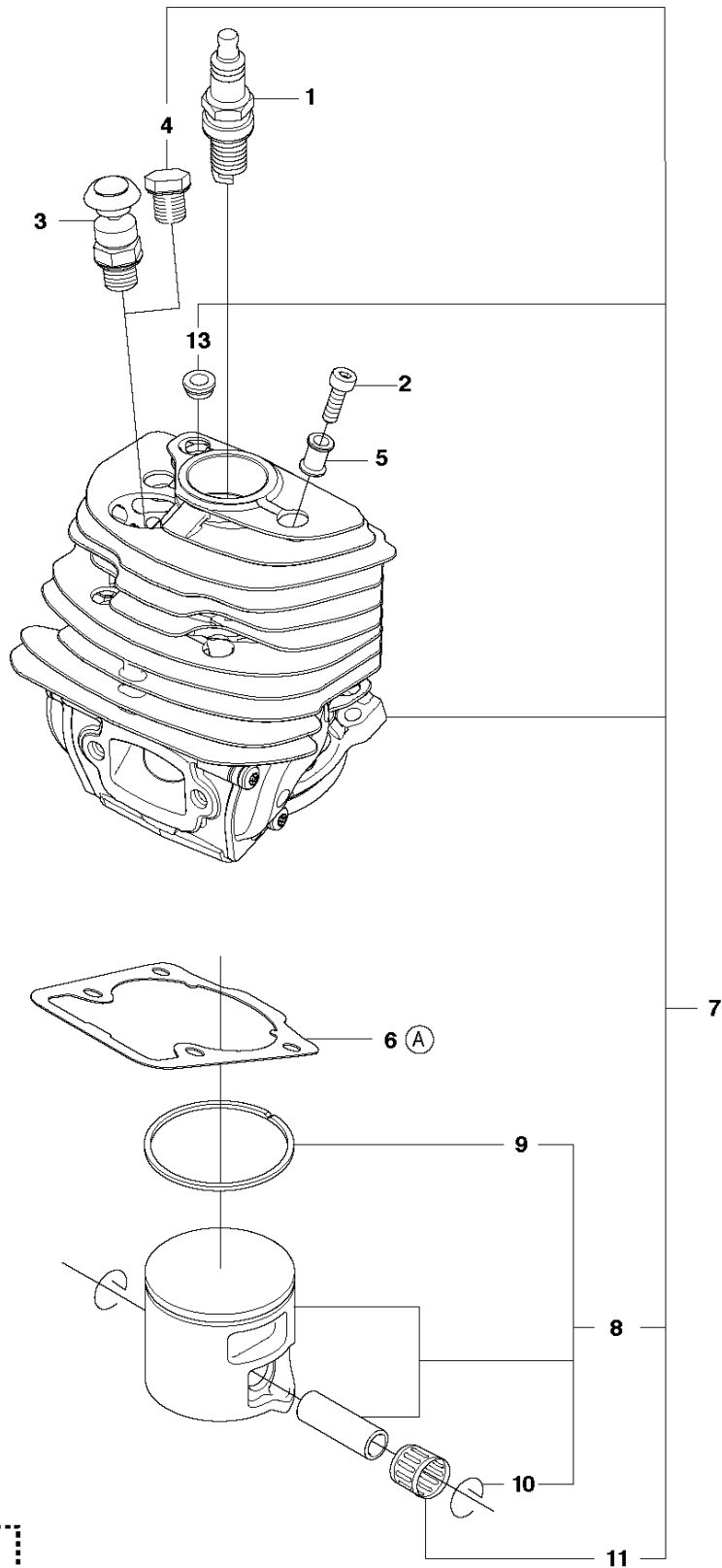


CYLINDER COVER

562 XP/XPG, 2013-01

Ref	Part no.	Description	Remark	Qty	Kit
1	522 95 96-01	CYLINDER COVER ASSY		1	

D 562XP
CYLINDER PISTON

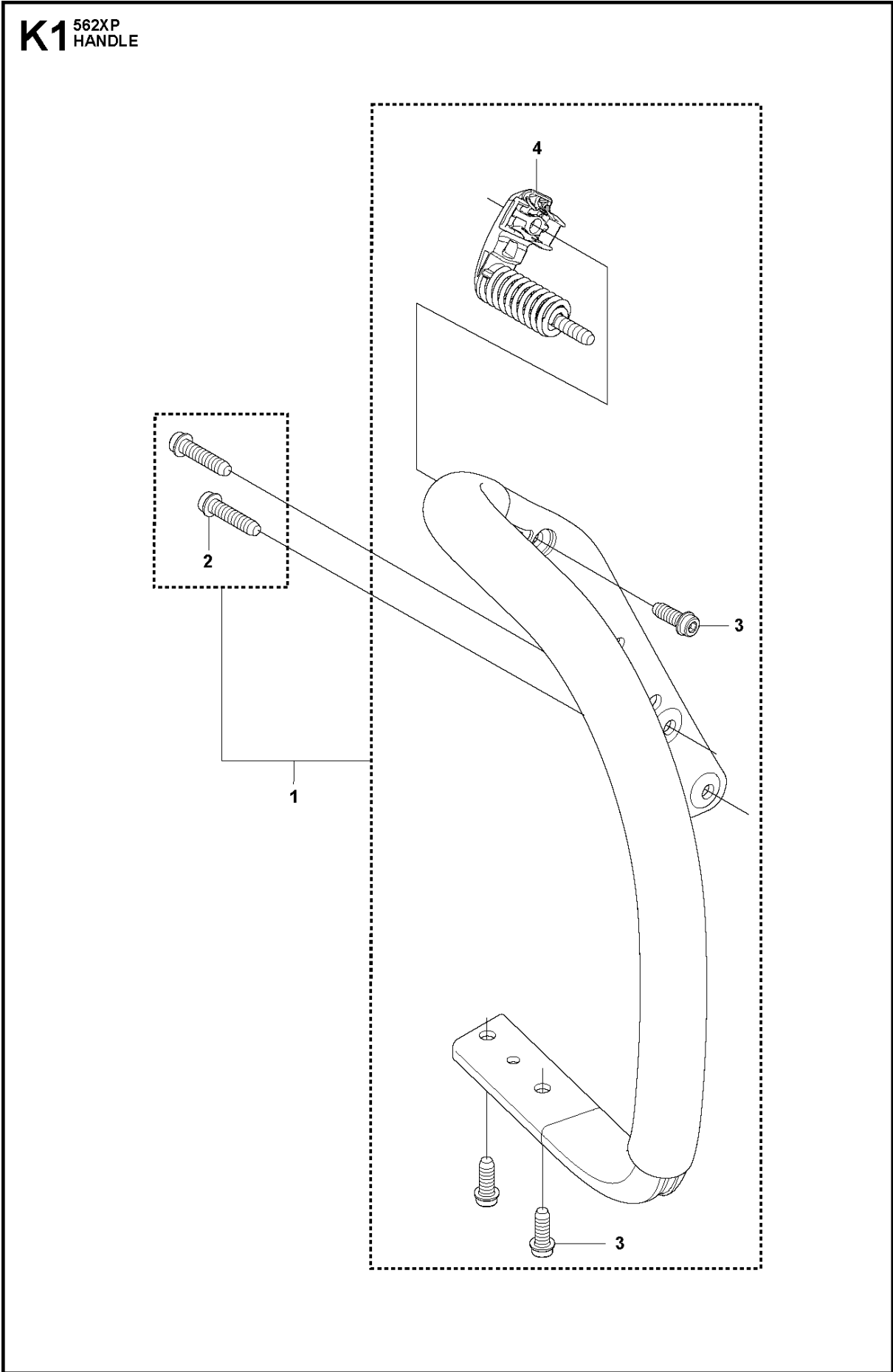


12
Ⓐ 575 27 00-02
Set of gaskets

CYLINDER PISTON

562 XP/XPG, 2013-01

Ref	Part no.	Description	Remark	Qty	Kit
11	503 25 63-01	NEEDLE BEARING		1	7
9	505 21 57-01	PISTON RING		1	8, 7
13	520 29 11-01	BUSHING		1	7
1	531 00 86-15	SPARK PLUG		1	
3	575 27 69-01	DECOMPRESSION VALVE		1	
7	575 35 58-01	CYLINDER-PISTON ASSY		1	
5	576 71 76-02	SLEEVE		4	
4	503 55 22-01	PLUG		1	
8	505 21 55-02	PISTON ASSY		1	7
6	510 16 49-01	GASKET		1	12
12	575 27 00-02	GASKET KIT	A=set of gaskets	1	
2	725 53 37-55	SCREW IHSCM		4	
10	737 44 10-00	SNAP RING		2	8, 7

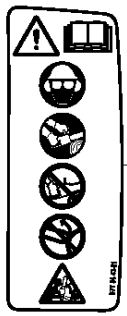
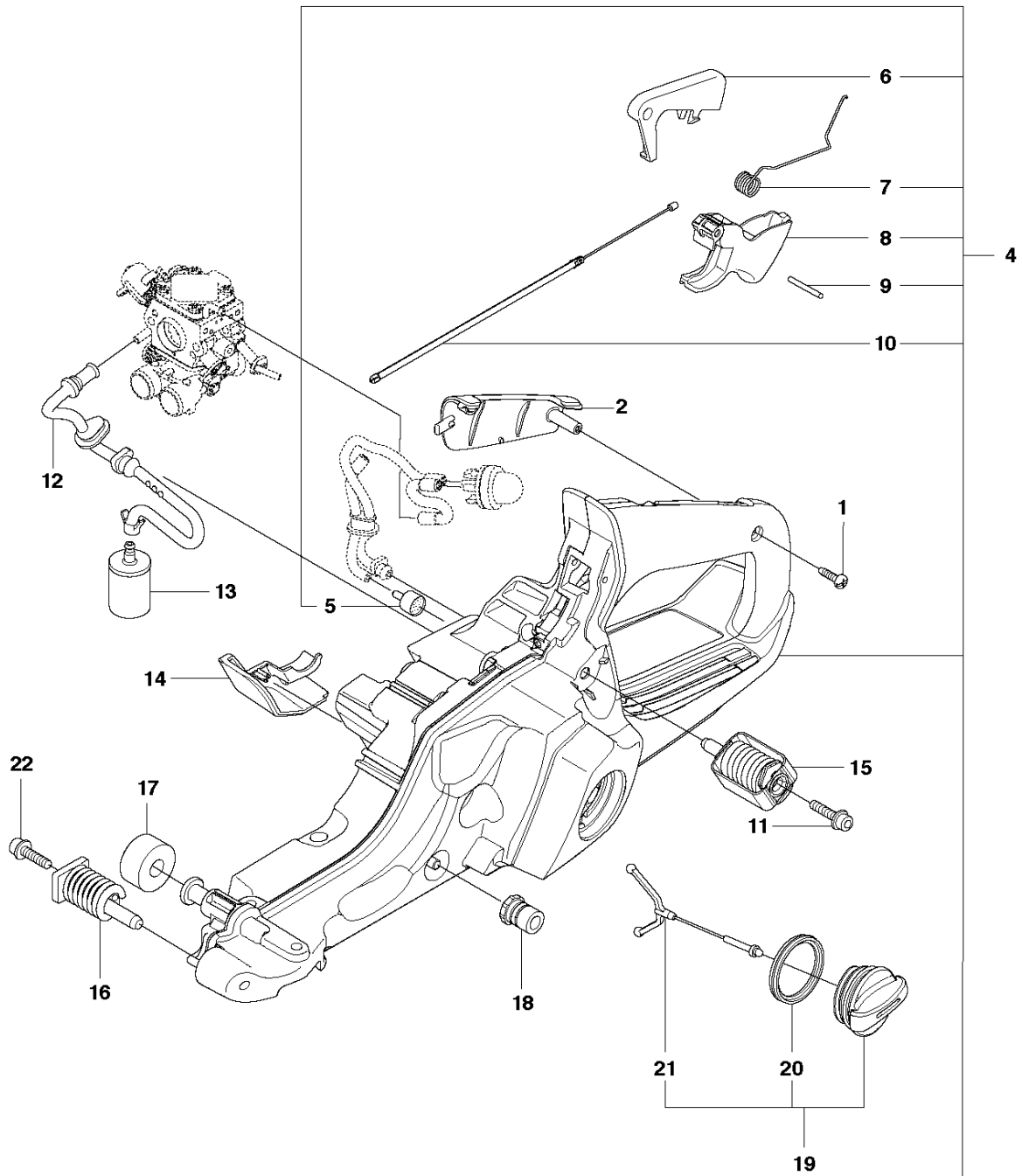


HANDLE

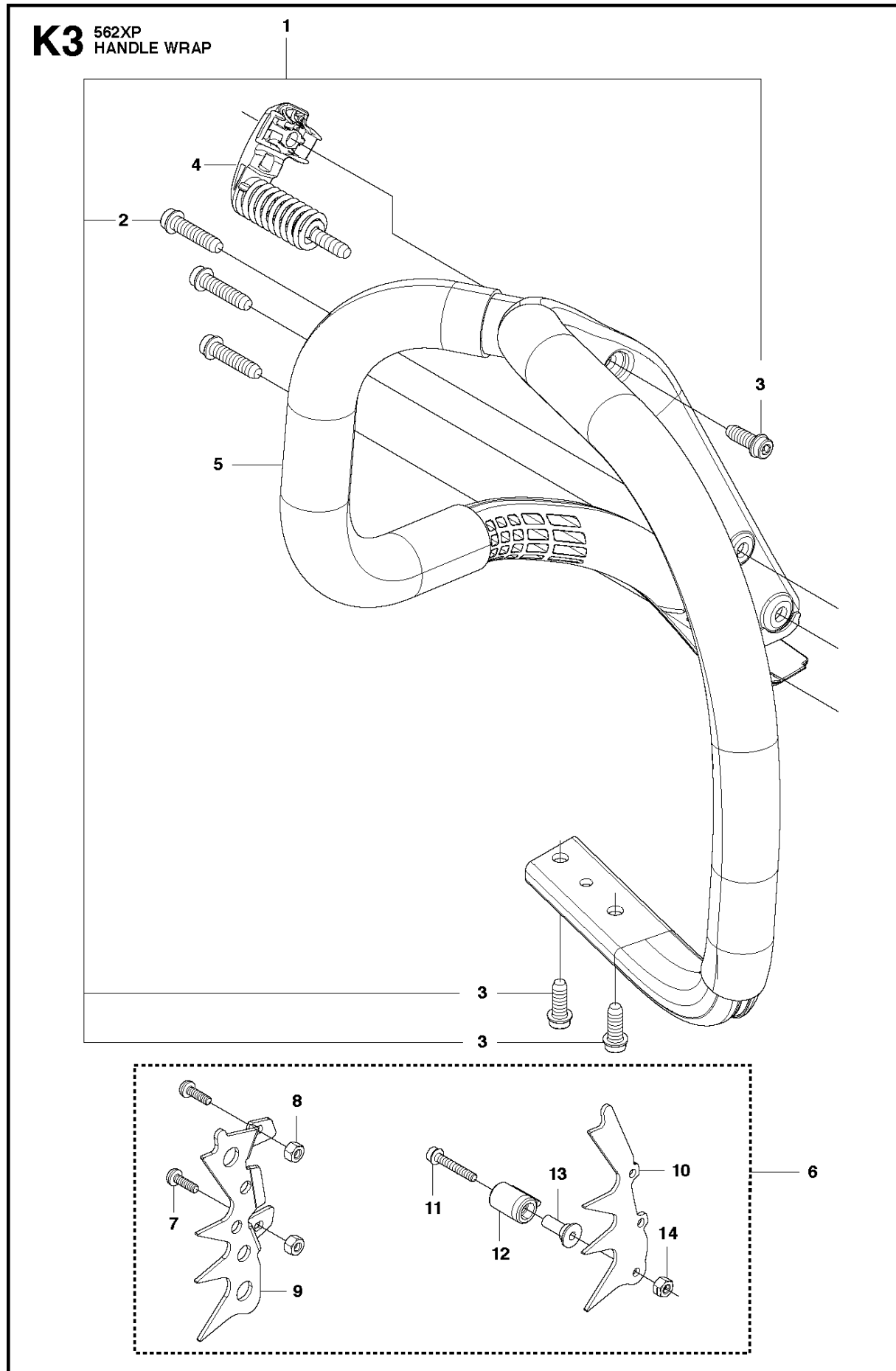
562 XP/XPG, 2013-01

Ref	Part no.	Description	Remark	Qty	Kit
1	575 38 89-01	FRONT HANDLE		1	
2	503 21 88-76	SCREW IHSCFT		2	1
3	503 21 88-72	SCREW IHSCFT		4	1
4	505 12 97-02	ANTIVIBRATION ELEMENT		1	1

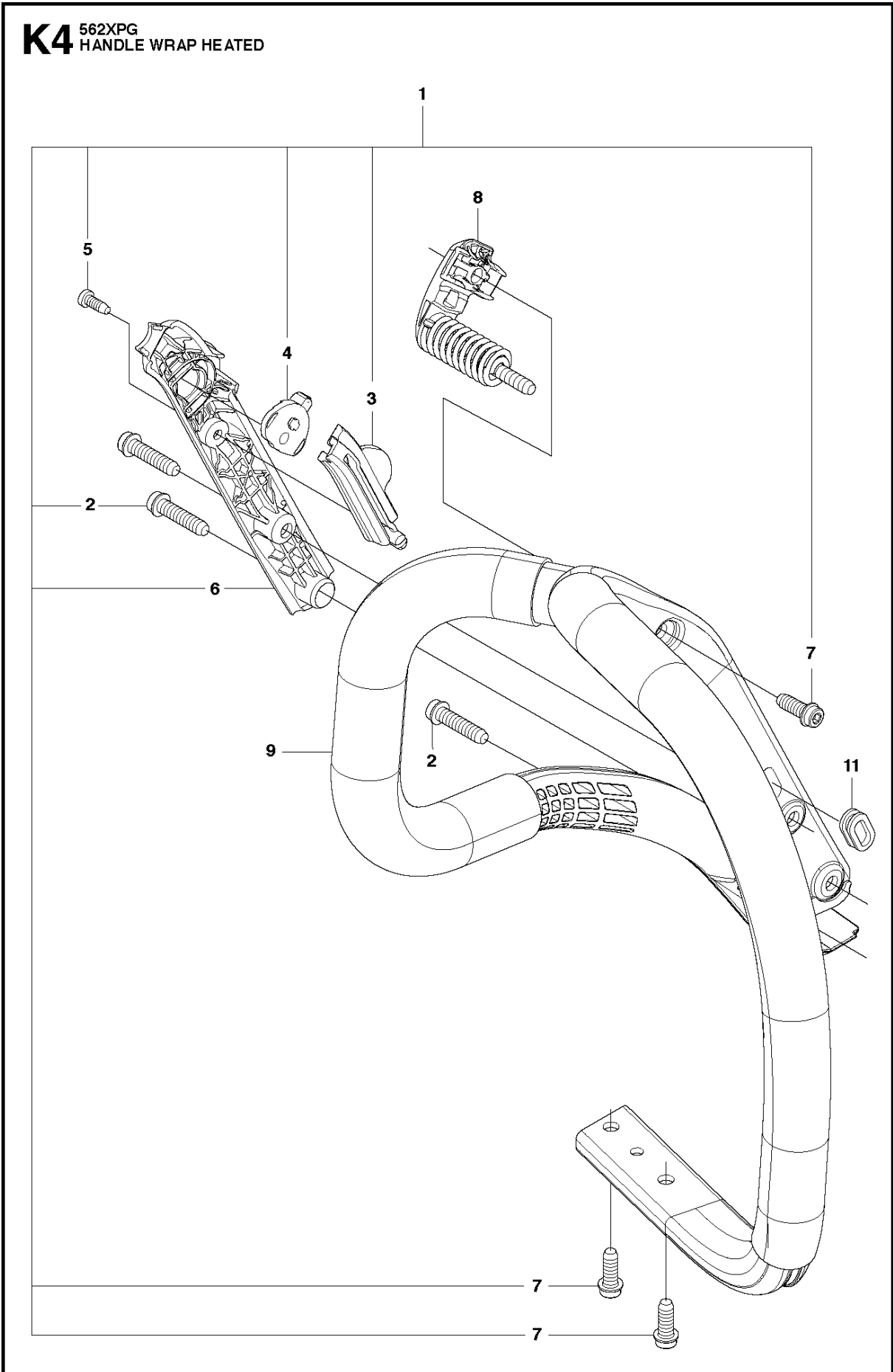
J 562XP
HANDLE & CONTROLS



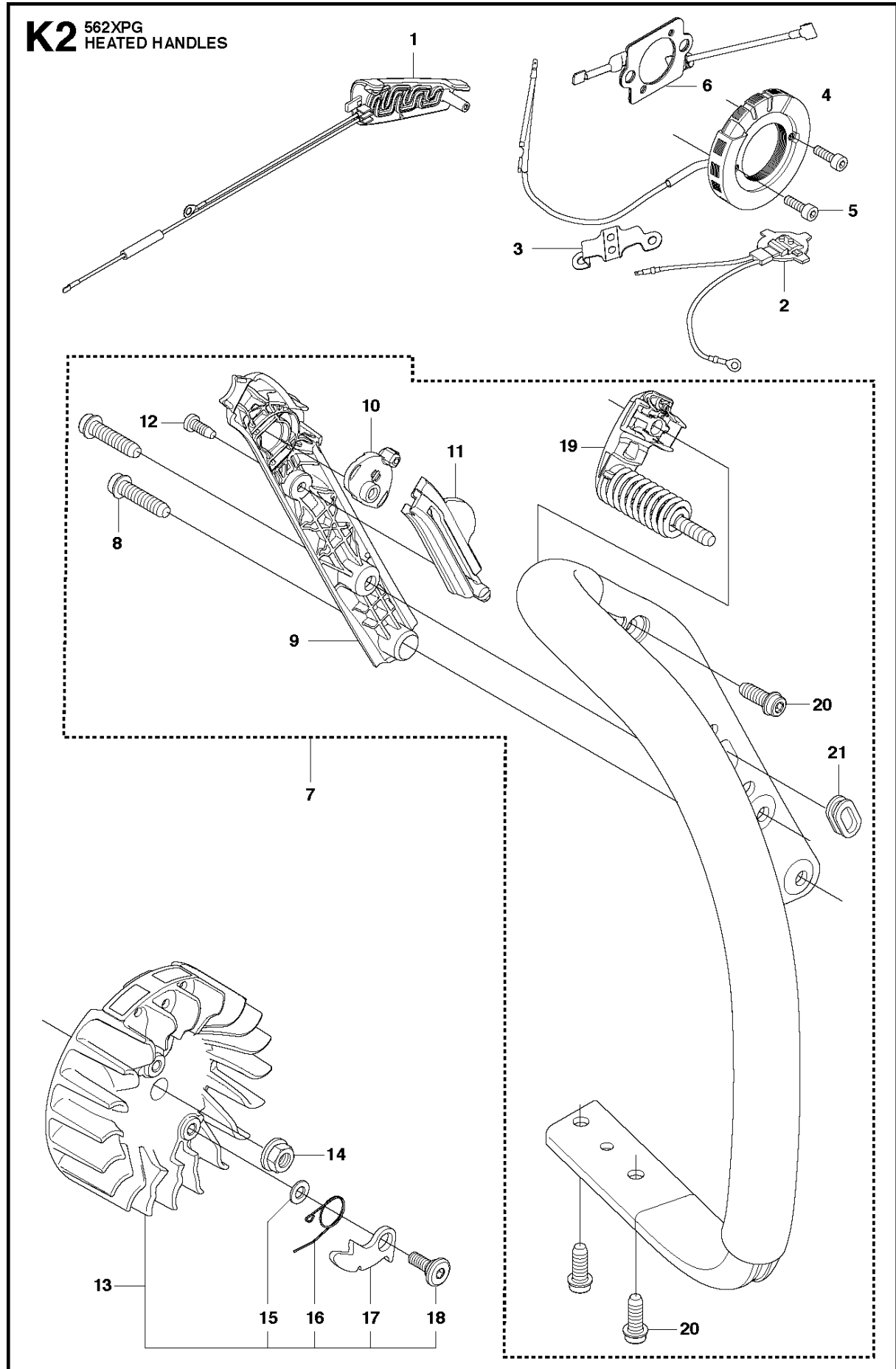
Ref	Part no.	Description	Remark	Qty	Kit
1	503 21 28-13	SCREW CCRPANT		1	
2	504 10 63-01	HANDLE INSERT		1	
4	575 38 22-05	FUEL TANK ASSY		1	
5	537 35 95-01	TANK VENT ASSY		1	4
6	544 09 98-01	THROTTLE LOCKOUT		1	4
7	544 09 99-01	SPRING		1	4
8	505 15 77-01	THROTTLE		1	4
9	721 12 66-39	GROOVED PIN		1	4
10	521 88 79-01	THROTTLE CABLE ASSY		1	
11	503 21 88-74	SCREW IHSCFT		1	
12	573 99 35-03	FUEL HOSE		1	
13	503 44 32-01	FILTER		1	
14	505 16 59-01	COVER	not XPW	1	
15	578 22 74-01	ANTIVIBRATION ELEMENT		1	
16	505 12 87-01	ANTIVIBRATION ELEMENT		1	
17	523 08 55-01	DEFLECTION LIMITER		1	
18	501 00 76-01	LATERAL SUPPORT		1	
19	544 11 12-01	TANK CAP ASSY		1	
20	537 21 50-01	SEALING		1	19
21	503 57 89-03	HOLDER		1	19
22	503 21 88-76	SCREW IHSCFT		1	
23	577 84 43-01	DECAL		1	4



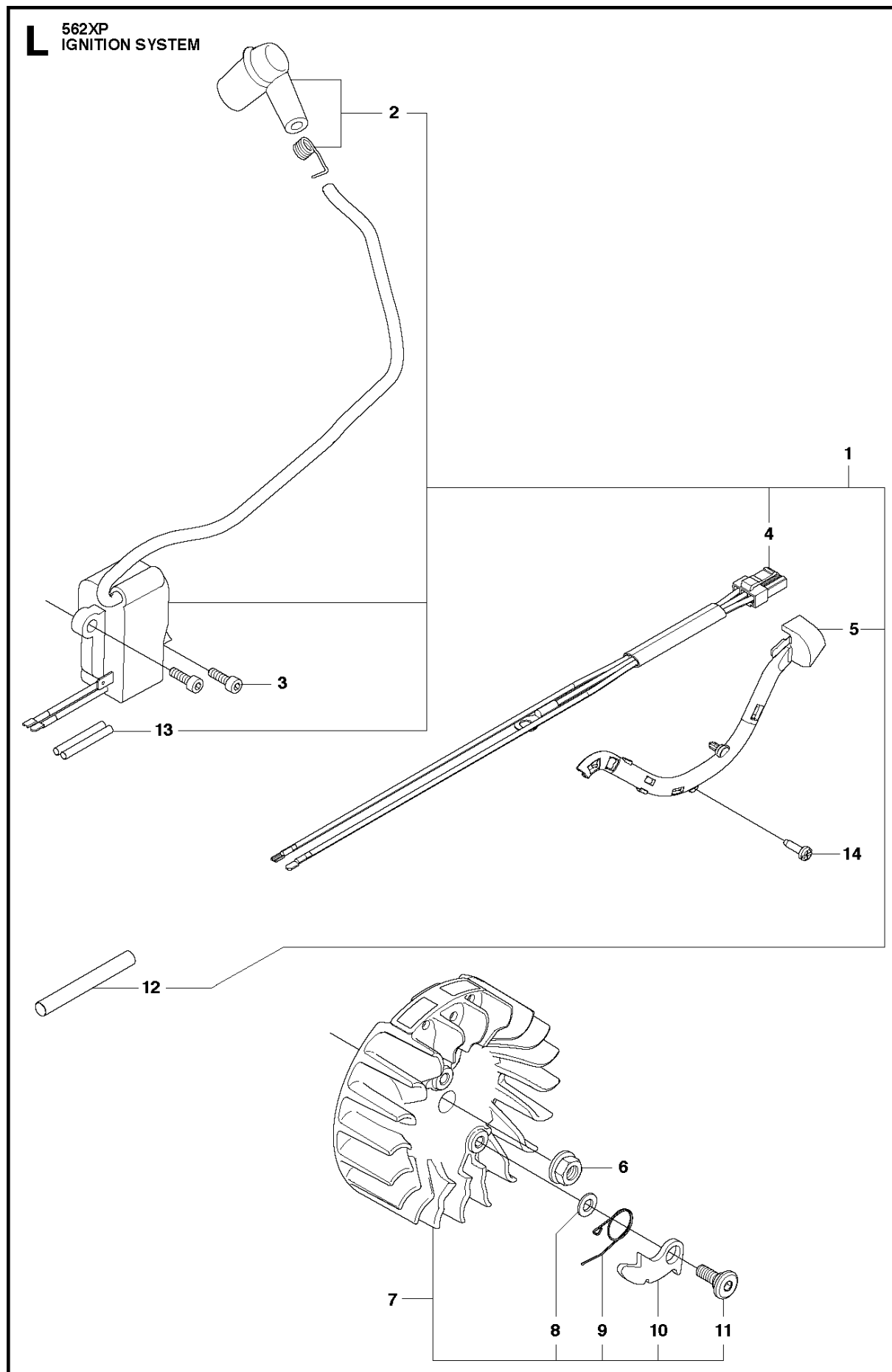
Ref	Part no.	Description	Remark	Qty	Kit
1	576 94 51-01	ENCLOSED KIT		1	
2	503 21 88-76	SCREW IHSCFT		3	1
3	503 21 88-72	SCREW IHSCFT		3	1
4	505 12 97-02	ANTIVIBRATION ELEMENT		1	
5	505 15 69-01	HANDLE WRAP AROUND ASSY	incl. 5051659-01	1	
6	576 87 30-02	BARKSTØD		1	
7	503 21 26-16	SCREW IHPANM		2	6
8	503 22 24-01	LOCKING NUT		2	6
9	577 97 63-01	SPIKE OUTER	Spike Wrap	1	6
10	577 97 61-01	SPIKES	Spike Wrap	1	6
11	503 20 07-80	SCREW IHSCFM		1	6
12	537 02 44-01	WEAR PROTECTION		1	6
13	537 08 92-01	CHAIN CATCHER		1	6
14	503 22 24-01	LOCKING NUT		1	6



Ref	Part no.	Description	Remark	Qty	Kit
1	576 94 51-02	ENCLOSED KIT		1	
2	503 21 88-76	SCREW IHSCFT		3	1
3	510 09 78-01	CONTACT PLATE		2	1
4	537 25 25-01	HANDLE		1	1
5	503 21 28-13	SCREW CCRPANT		1	1
6	505 15 74-01	COVER		1	1
7	503 21 88-72	SCREW IHSCFT		3	1
8	505 12 97-01	ANTIVIBRATION ELEMENT		1	
9	505 15 69-02	HANDLE WRAP AROUND ASSY	incl. 5051659-01	1	
11	537 08 83-01	GROMMET		1	



Ref	Part no.	Description	Remark	Qty	Kit
1	522 74 19-01	HANDLE INSERT		1	
2	522 66 58-01	THERMOSTAT ASSY		1	
3	537 21 08-01	RETAINER		1	
4	522 61 14-01	GENERATOR STATOR		1	
5	510 02 06-02	SCREW IHSCM		2	
6	522 63 01-01	FOIL ELEMENT		1	
7	575 38 89-02	FRONT HANDLE		1	
8	503 21 88-76	SCREW IHSCFT		2	7
9	505 15 74-01	COVER		1	7
10	537 25 25-01	HANDLE		1	7
11	510 09 78-01	CONTACT PLATE		1	7
12	503 21 28-13	SCREW CCRPANT		1	7
13	504 87 24-02	FLYWHEEL ASSY		1	
14	503 22 04-01	NUT		1	
15	503 23 00-42	WASHER		2	13
16	501 67 35-01	SPRING		2	13
17	501 67 32-01	PAWL		2	13
18	501 81 99-01	SCREW		2	13
19	505 12 97-02	ANTIVIBRATION ELEMENT		1	7
20	503 21 88-72	SCREW IHSCFT		4	7
21	537 08 83-01	GROMMET		1	7

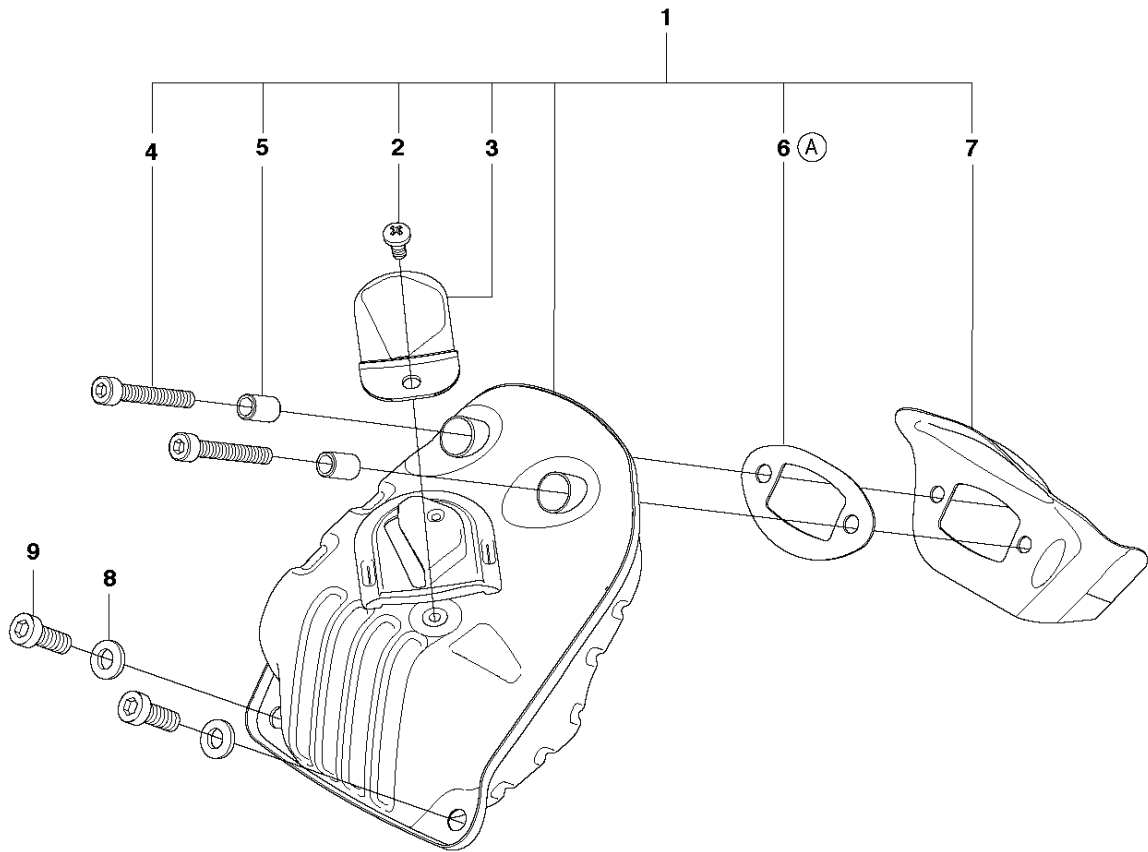


IGNITION SYSTEM

562 XP/XPG, 2013-01

Ref	Part no.	Description	Remark	Qty	Kit
1	581 72 34-01	IGNITION MODULE ASSY		1	
2	501 48 54-04	SPARK PLUG CAP ASSY		1	1
3	503 20 02-20	SCREW IHSCFM		2	
4	577 96 76-01	WIRING ASSY		1	1
5	505 17 82-01	CABLE HOLDER		1	1
6	503 22 04-01	NUT		1	
7	504 87 24-01	FLYWHEEL ASSY	XP	1	
7	504 87 24-02	FLYWHEEL ASSY	XPG	1	
8	503 23 00-42	WASHER		2	
9	501 67 35-01	SPRING		2	
10	501 67 32-01	PAWL		2	
11	501 81 99-01	SCREW		2	
12	504 04 35-05	CABLE COVER		1	1
13	503 23 85-01	SHRINKAGE HOSE		2	1
14	503 21 28-13	SCREW CCRPANT		1	

F 562XP
MUFFLER



10

(A) 575 27 00-02
Set of gaskets

MUFFLER

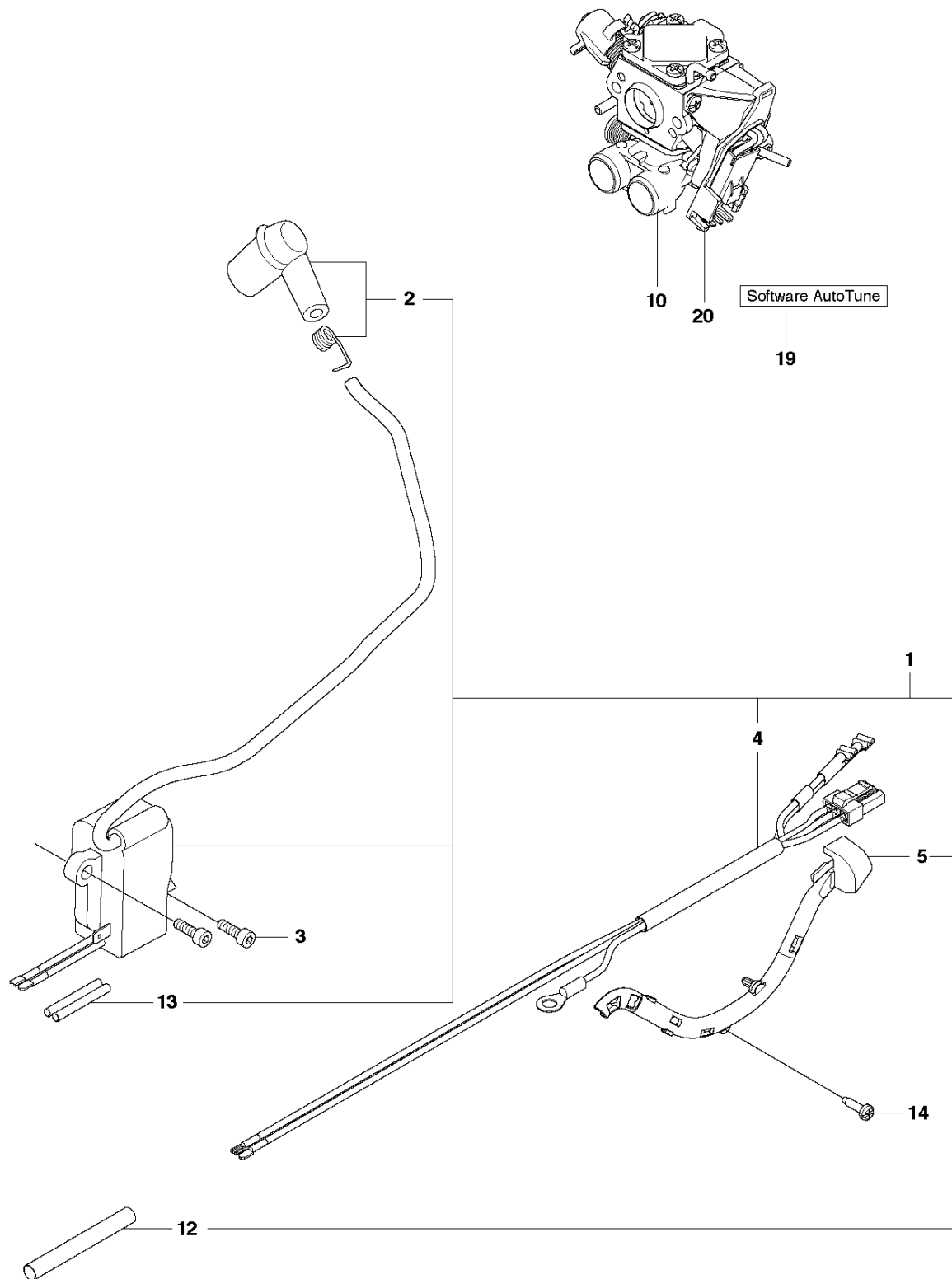
562 XP/XPG, 2013-01

Ref	Part no.	Description	Remark	Qty	Kit
1	510 00 14-02	MUFFLER KIT		1	
2	724 12 87-59	SCREW CRPANM		1	1
3	505 17 13-01	SPARK ARRESTER		1	1
4	725 53 76-55	SCREW IHSCM		2	1
5	576 95 52-01	SLEEVE		2	1
6	505 17 05-01	GASKET MUFFLER		1	1, 10
7	505 17 07-01	HEAT DEFLECTOR		1	1
8	577 51 14-01	WASHER		2	
9	503 20 73-20	SCREW IHSCM		2	
10	575 27 00-02	GASKET KIT	A=set of gaskets	1	

Q

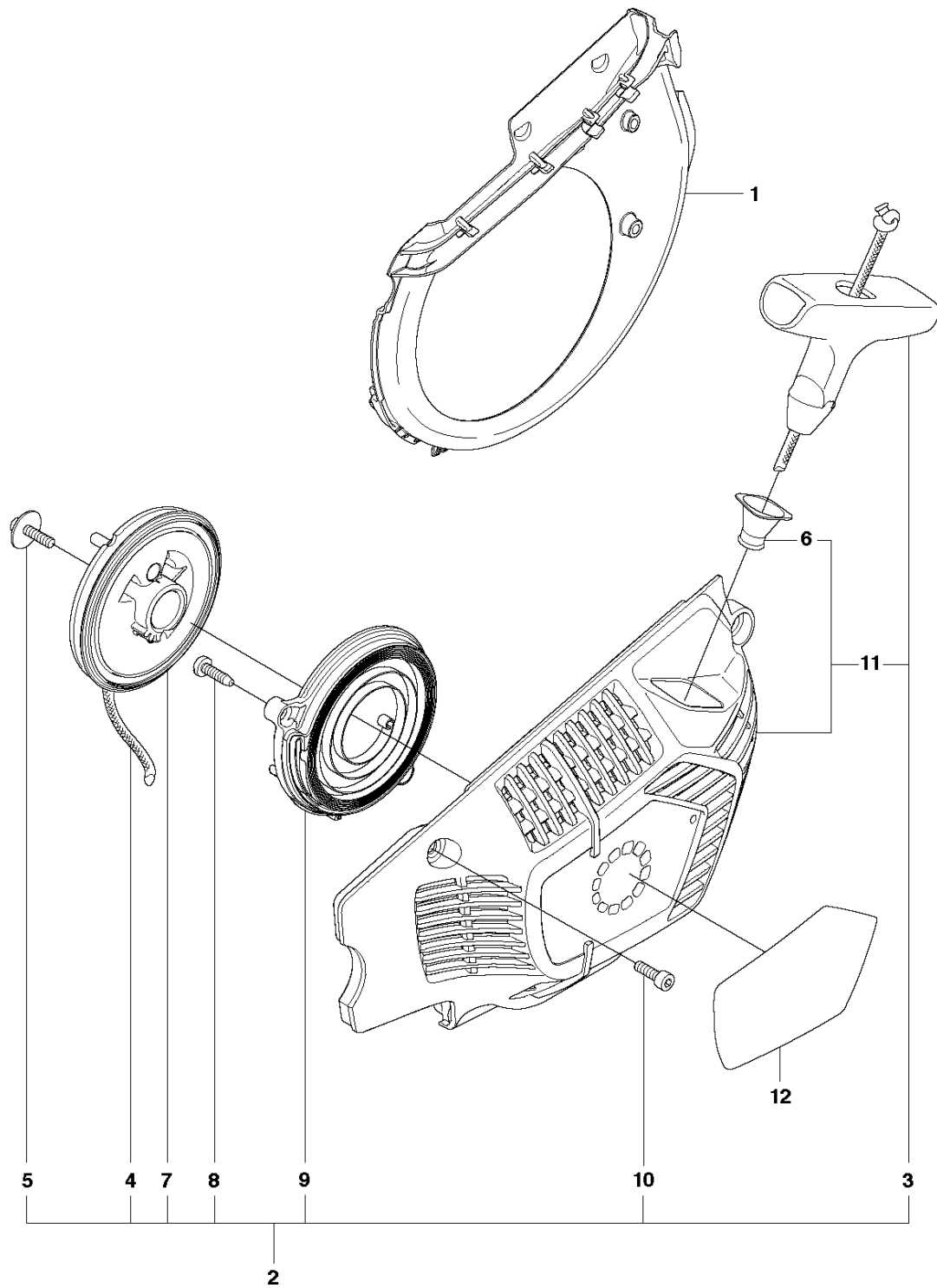


Up to serial number 20121401172 (562 XP)



Ref	Part no.	Description	Remark	Qty	Kit
1	522 79 51-02	IGNITION MODULE ASSY			
2	501 48 54-04	SPARK PLUG CAP ASSY		1	1
3	503 20 02-20	SCREW IHSCFM		2	
4	577 96 76-01	WIRING ASSY		1	1
5	505 17 82-01	CABLE HOLDER		1	1
10	579 19 41-01	CARBURETTOR		1	
12	504 04 35-05	CABLE COVER		1	1
13	503 23 85-01	SHRINKAGE HOSE		2	1
14	503 21 28-13	SCREW CCRPANT		1	
19	.	TBD	Download from your local supportsite		
20	575 38 00-01	SPARE PARTS KIT		1	

M 562XP
STARTER



STARTER

562 XP/XPG, 2013-01

Ref	Part no.	Description	Remark	Qty	Kit
1	505 15 75-01	COOLING AIR CONDUCTOR		1	
2	505 15 92-04	STARTER ASSY		1	
3	537 23 25-01	STARTER HANDLE		1	2
4	505 30 51-25	STARTER CORD		1	2
5	503 20 52-16	SCREW IH SCT		1	2
6	537 28 32-01	REINFORCEMENT SLEEVE		1	2, 11
7	505 15 81-01	STARTER PULLEY ASSY		1	2
8	503 21 28-13	SCREW CCRPANT		2	2
9	505 15 79-01	SPRING CASSETTE ASSY		1	2
10	544 08 03-01	SCREW CIHPANMO		4	2
11	505 15 91-02	STARTER HOUSING		1	2
12	523 03 56-05	LABEL	XP	1	
12	523 03 56-06	LABEL	XPG	1	