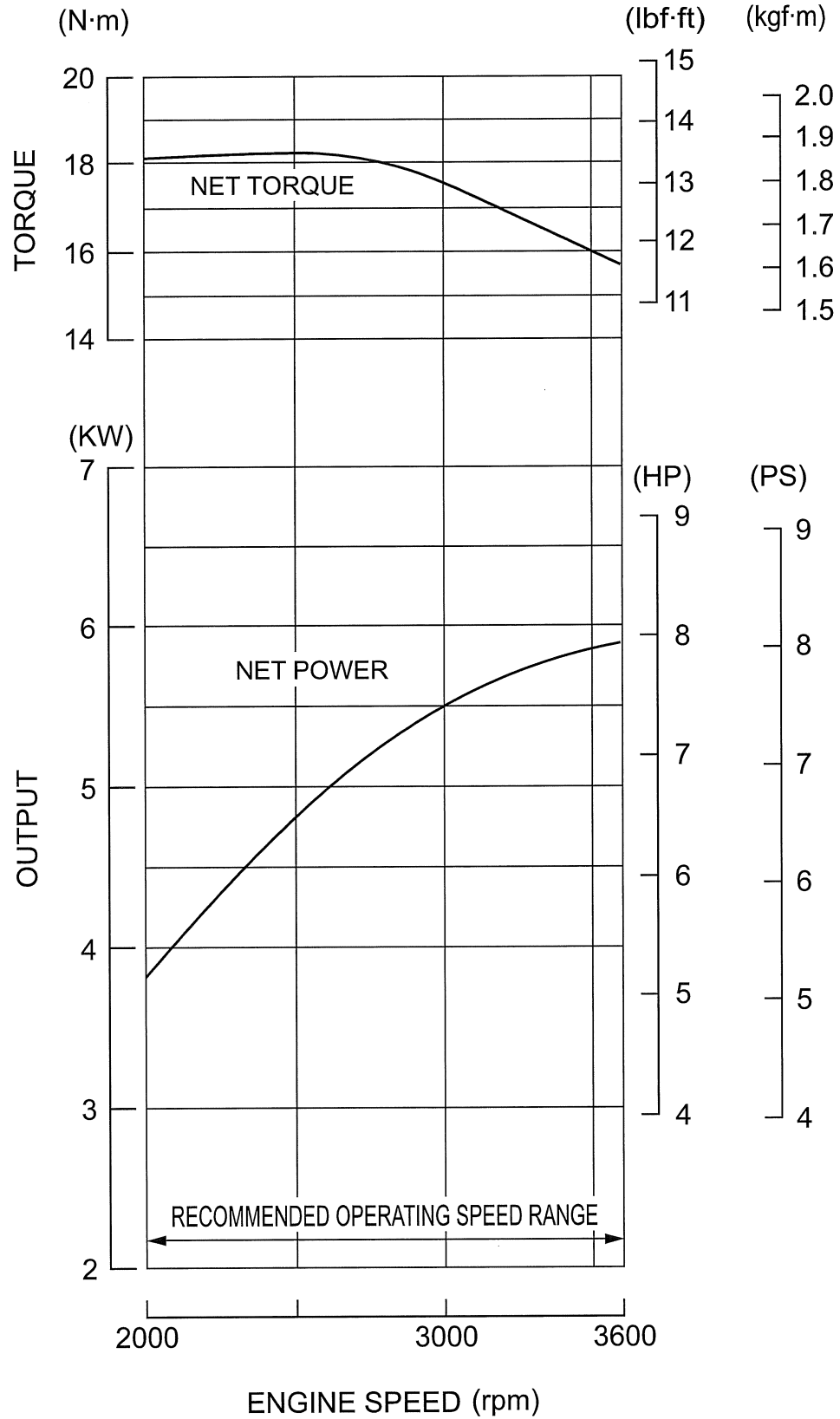


PERFORMANCE CURVES

GX240



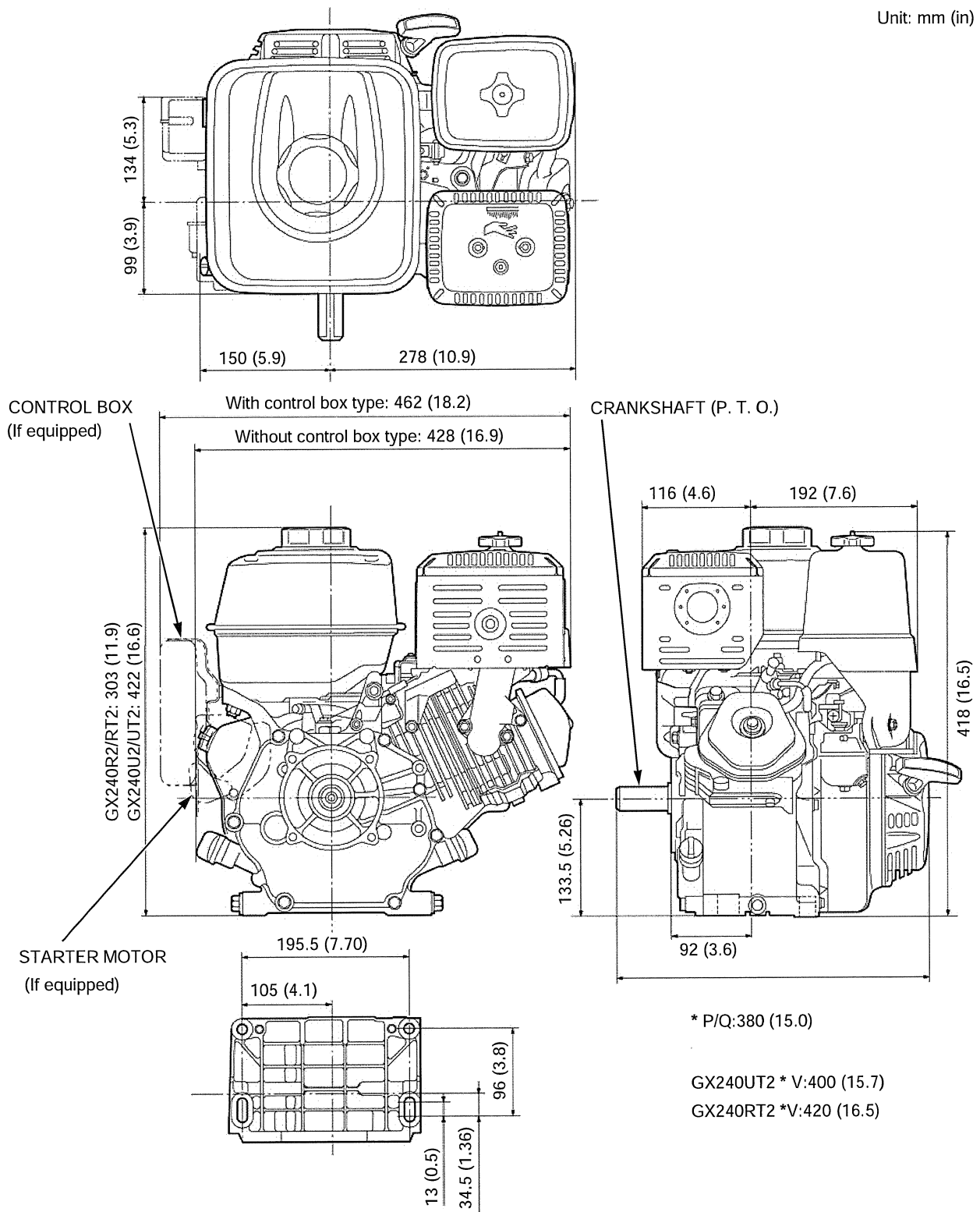
DIMENSIONAL DRAWINGS

*: P. T. O. type.

GX240

WITHOUT REDUCTION UNIT TYPE

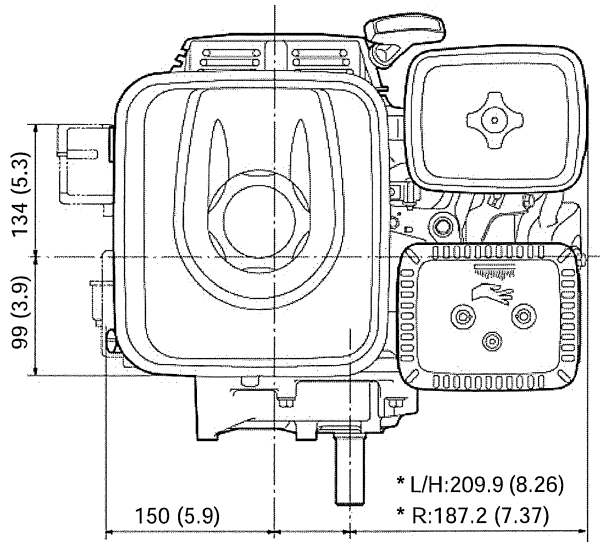
Unit: mm (in)



SPECIFICATIONS

WITH REDUCTION UNIT TYPE

Unit: mm (in)



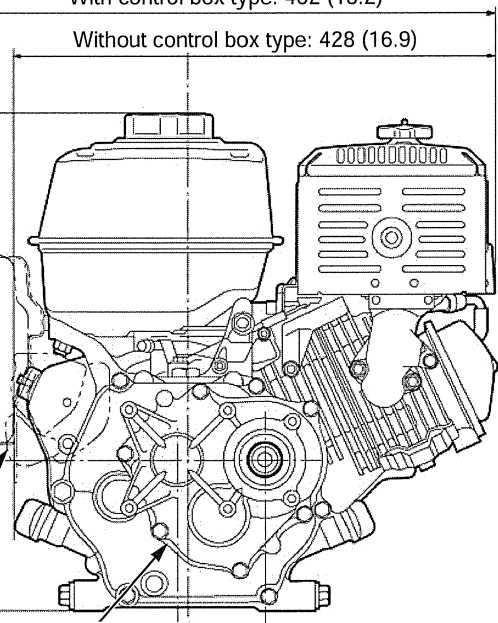
CONTROL BOX
(If equipped)

With control box type: 462 (18.2)

Without control box type: 428 (16.9)

P. T. O. SHAFT

GX240U2/UT2: 422 (16.6)

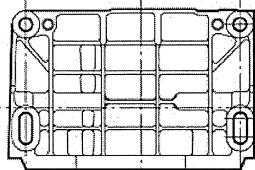


STARTER MOTOR
(If equipped)

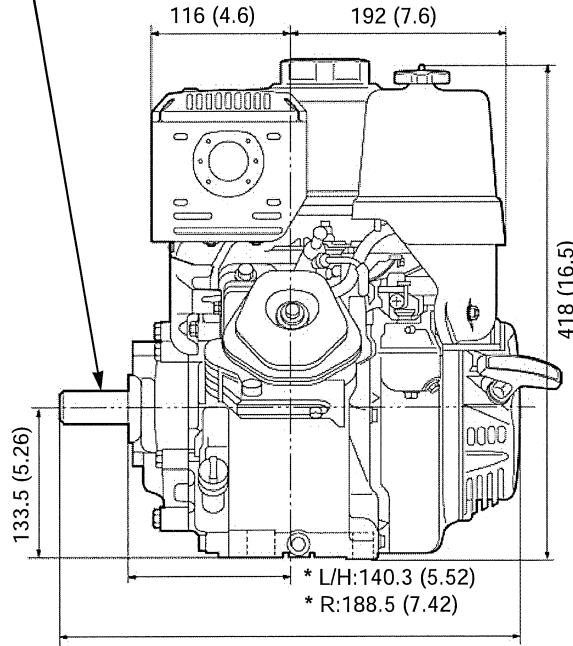
REDUCTION UNIT

195.5 (7.70)

105 (4.1)



13 (0.5)
34.5 (1.36)
96 (3.8)



* L:405 (15.9)

* H:425 (16.7)

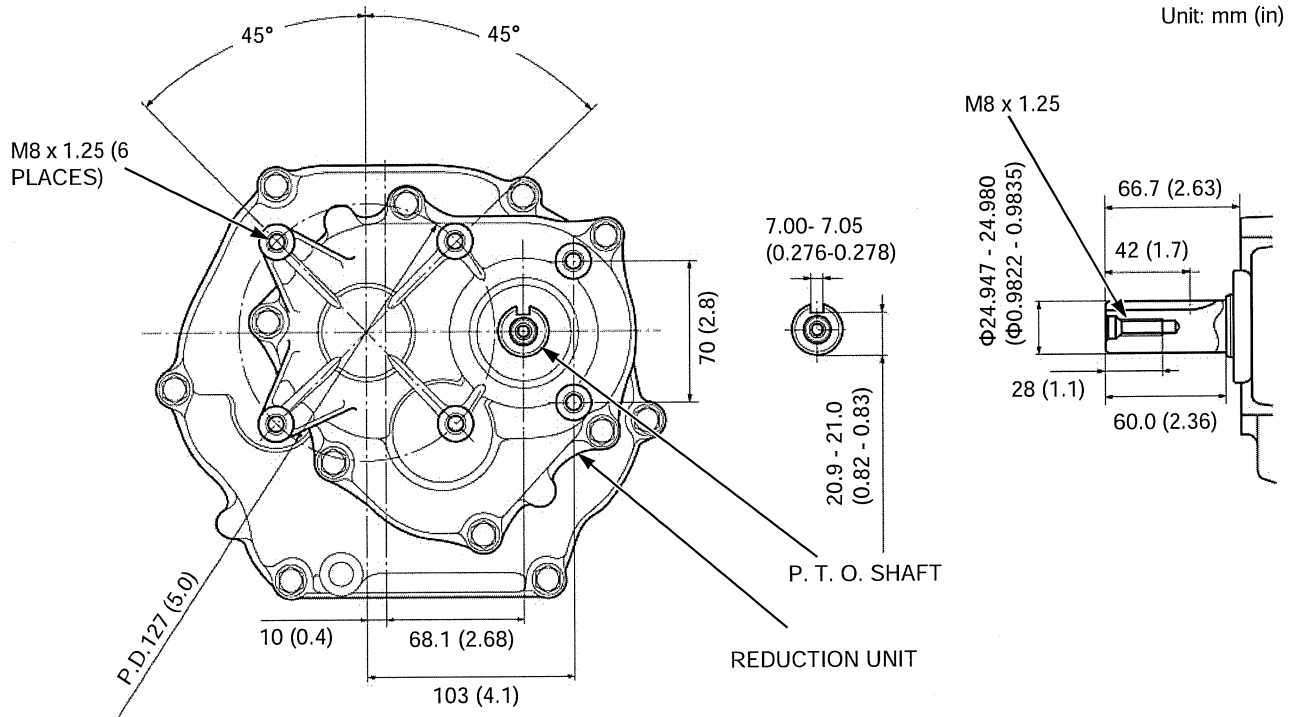
* R:440 (17.3)

P.T.O. DIMENSIONAL DRAWINGS

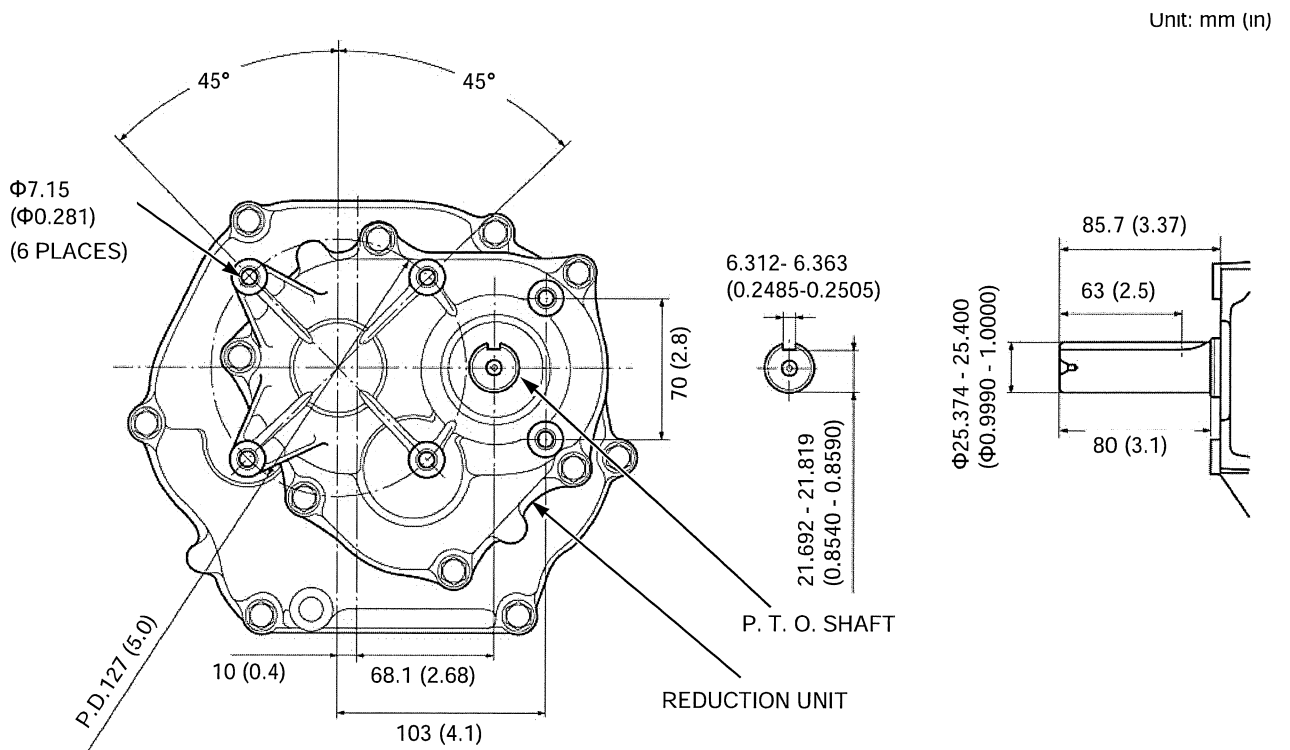
GX240

*: P. T. O. type.

L TYPE* (WITH REDUCTION UNIT)



H TYPE* (WITH REDUCTION UNIT)



SPECIFICATIONS

R TYPE* (WITH 1/2 REDUCTION UNIT)

Unit: mm (in)

