



Count on it.

Parts Catalog

MBTX-2500

Tracked Mud Buggy

Model No. 68138—Serial No. 40000000 and Up



Ordering Replacement Parts

To order replacement parts, please supply the part number, the quantity, and the description of each part desired.

Understanding Reference Numbers

Each identified part in an illustration has a reference number. The reference number for a part also appears in the parts list, along with other information about the part.

This catalog uses two special reference number formats, one to indicate parts in a service assembly and another to indicate the quantity of a given part in an illustration.

Service Assembly Reference Numbers

Parts in service assemblies have reference numbers in the form a:b. The a represents the reference number of the entire service assembly and the b represents a sequential number unique to each part within the service assembly.

For example, a wheel assembly might be identified by reference number 6, the tire by 6:1, the valve by 6:2, and the wheel by 6:3. When you order the assembly identified by reference number 6, you receive all parts identified by reference numbers 6:1, 6:2, and 6:3. However, you may also order any part individually. Reference numbers of this type appear in illustration and in parts lists.

Reference Numbers Indicating Quantity

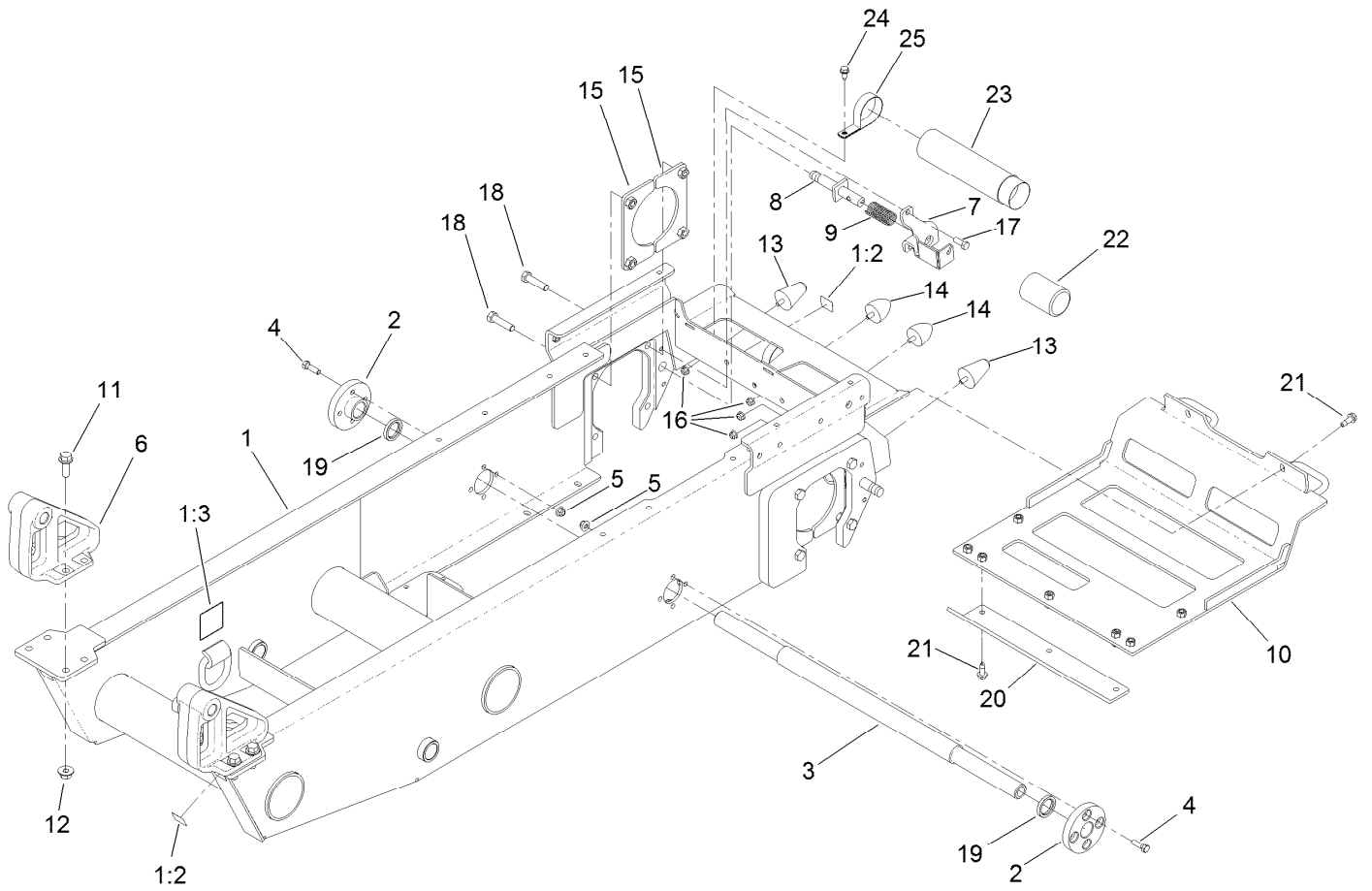
In an illustration, if a reference number indicates more than one part, the reference number has the form nX y. The n represents the quantity of the part, the X is the multiplication symbol, and the y represents the reference number.

For example, in an illustration, the reference number 2X 37 means that two of the parts identified by reference number 37 are indicated.

Contents

Frame Assembly.....	4
Hydraulic Pump Assembly	6
Engine Assembly	8
Gear Pump Assembly No. 132-8954	10
Fuel Tank and Tower Assembly	12
Track Assembly	14
Hopper Assembly.....	16
Electrical Harness Assembly	18
Control Assembly.....	20
Platform Assembly.....	22
Hood Assembly.....	24
Attachments and Accessories	26

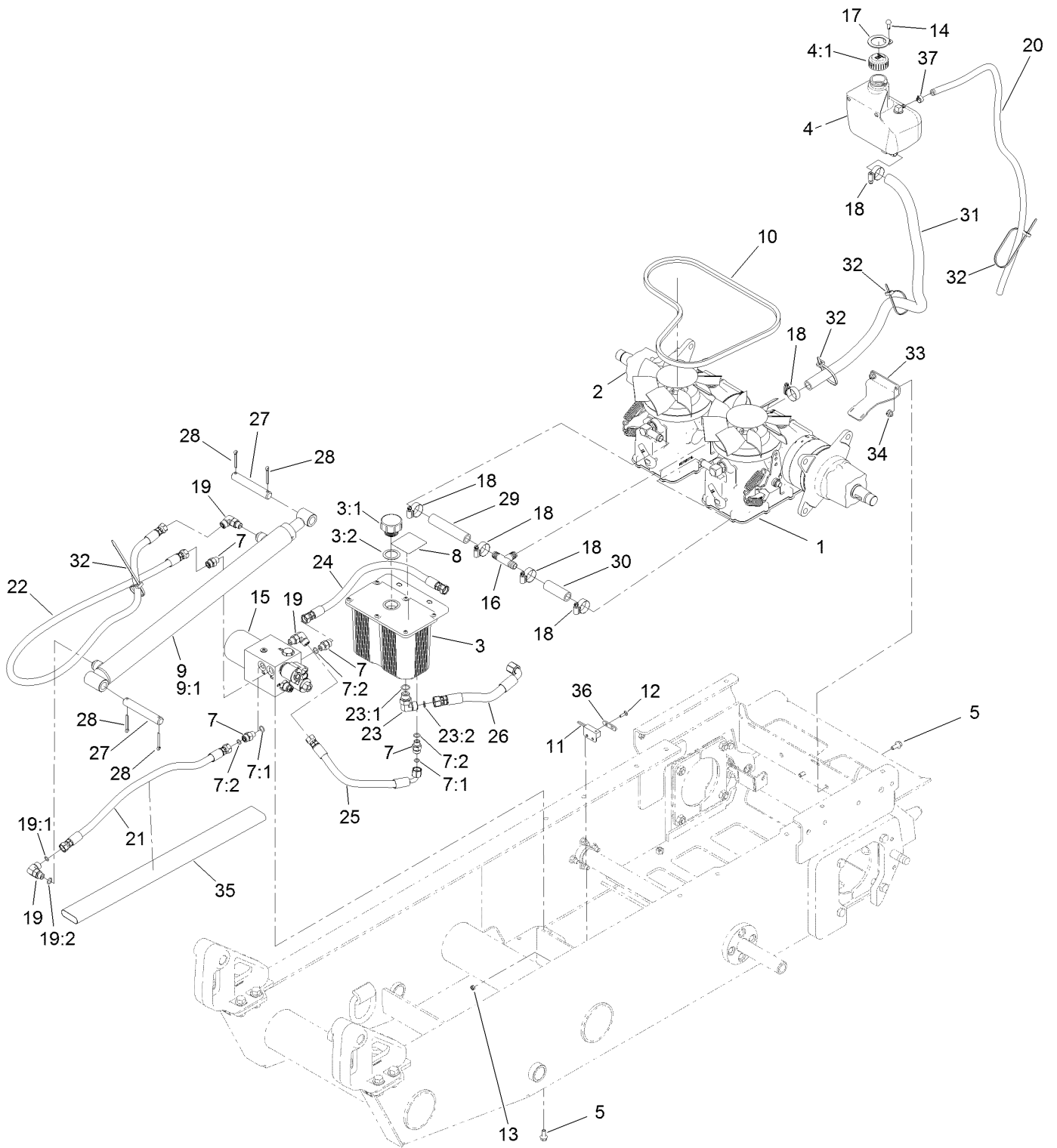
Frame Assembly



Frame Assembly (continued)

<i>Ref.</i>	<i>Part Number</i>	<i>Qty.</i>	<i>Description</i>	<i>Ref.</i>	<i>Part Number</i>	<i>Qty.</i>	<i>Description</i>
1	136-4650	1	Frame ASM	13	114-1925	2	Bumper-Rubber
1:2	132-9051	2	Decal-Tiedown	14	114-1926	2	Bumper-Rubber
1:3	125-4967	2	Decal-Lift Here	15	132-8936-03	4	Hydro Mounting Plate ASM
2	125-0339	2	Hub-Shaft	16	104-8300	4	Nut-HF, NI
3	125-0425	1	Shaft-Track	17	323-6	4	Screw-HH
4	323-7	8	Screw-HH	18	325-8	8	Screw-HH
5	104-8301	8	Nut-HF, NI	19	132-8943	2	Spacer-Track, Inside Mount
6	132-9025-03	2	Pivot-Dump	20	136-4611-03	1	Plate-Skid
7	130-5284-03	2	Bracket-Brake	21	105-6245	9	Screw-Tapping
8	132-8866	2	Shaft-Brake	22	104-7048	1	Cap-Housing
9	125-0344	2	Spring-Compression	23	104-7050	1	Tube-Manual
10	132-8992-03	1	Rear Skid Plate ASM	24	32144-70	2	Screw-HWHTF
11	130-6482	8	Screw-HHF	25	2412-133	2	R-Clamp
12	32128-52	8	Nut-Lock, Flange				

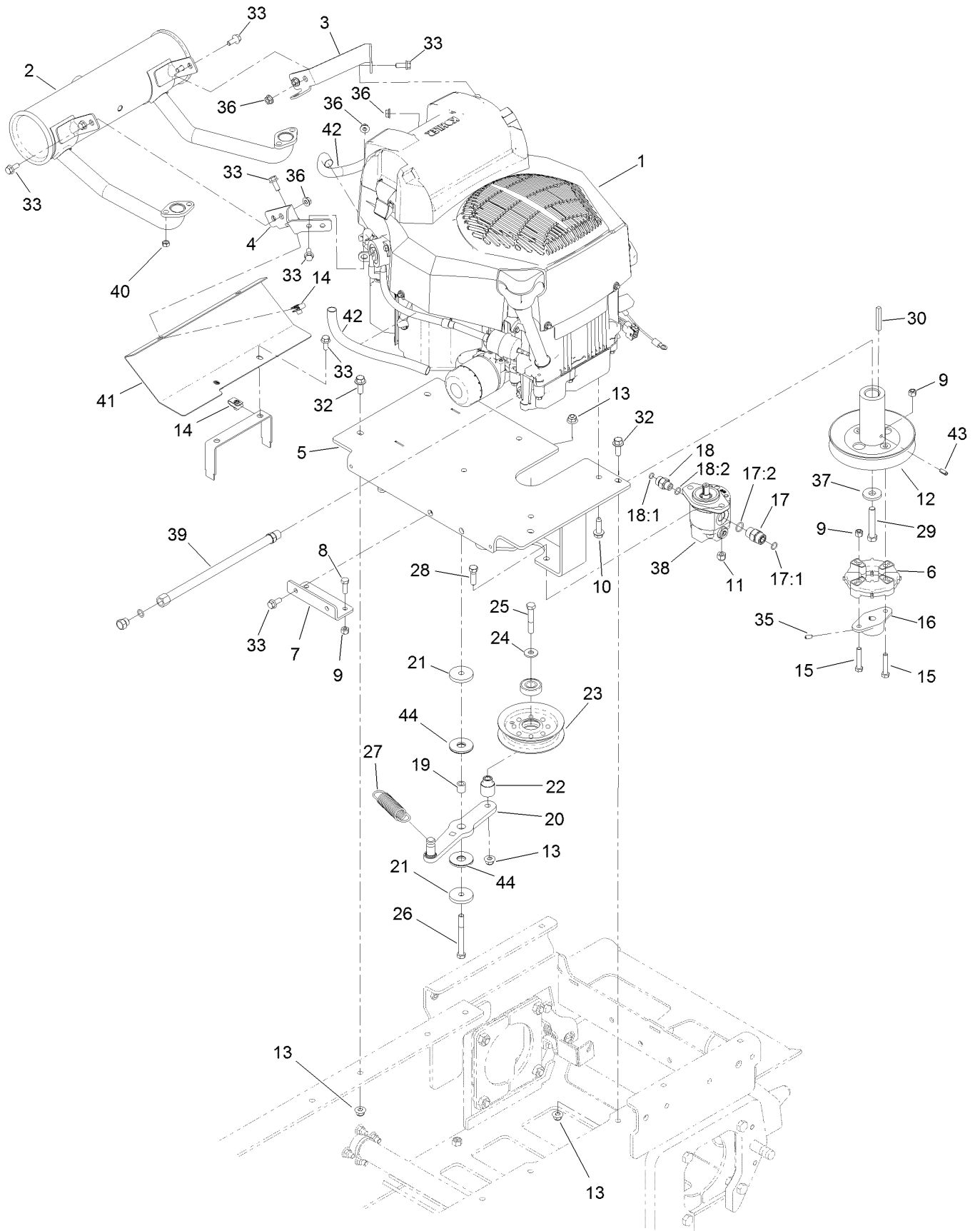
Hydraulic Pump Assembly



Hydraulic Pump Assembly (continued)

<i>Ref.</i>	<i>Part Number</i>	<i>Qty.</i>	<i>Description</i>	<i>Ref.</i>	<i>Part Number</i>	<i>Qty.</i>	<i>Description</i>
1	132-8802	1	LH Hydro Transaxle ASM	19:1	237-22	1	O-Ring
2	132-8803	1	RH Hydro Transaxle ASM	19:2	237-42	1	O-Ring
3	109-0448	1	Tank-Hydraulic	20	132-7563	1	Hose-Breather, Transmission
3:1	103-1948	1	Cap-Reservoir, HYD	21	132-8941	1	Hose-Hydraulic
3:2	103-1949	1	Gasket-Cap	22	132-8942	1	Hose-Hydraulic
4	132-1135	1	Tank-HYD	23	340-98	1	Fitting-HYD, 90 DEG
4:1	133-8677	1	Cap-Vented	23:1	237-79	1	O-Ring
5	3234-47	5	Screw-HHF	23:2	237-30	1	O-Ring
7	340-2	4	Fitting-Straight	24	132-8948	1	Hose-Hydraulic
7:1	237-22	1	O-Ring	25	132-8949	1	Hose-Hydraulic
7:2	237-42	1	O-Ring	26	132-8950	1	Hose-Hydraulic
8	115-4212	1	Decal-Warning	27	105-7456	2	Pin-Pivot
9	132-8835	1	Cylinder-Hydraulic	28	3272-23	4	Pin-Cotter
9:1	132-9084	1	Kit-Seal, Cylinder	29	132-8933	1	Hose-HYD, Hydro
10	132-8858	1	Belt	30	132-8934	1	Hose-HYD, Hydro
11	100-1270	1	Switch-Proximity	31	132-8935	1	Hose-HYD, Hydro
12	3229-20	2	Screw-CARR	32	3290-378	4	Tie-Cable
13	3296-2	2	Nut-Lock, NI	33	132-9032-03	1	Bracket-Hose Retainer
14	105-0618	1	Screw-Selfdr	34	104-8300	2	Nut-HF, NI
15	132-8989	1	Hydraulic Manifold ASM	35	100-6127	1	Sleeve-Protective
16	132-5127	1	Tee	36	132-9092	1	Plate-Switch, Proximity
17	136-0549-01	1	Lock-Tank	37	92-2379	1	Clamp-Hose
18	2412-129	6	Clamp-Hose				
19	340-77	3	Fitting-Elbow 90				

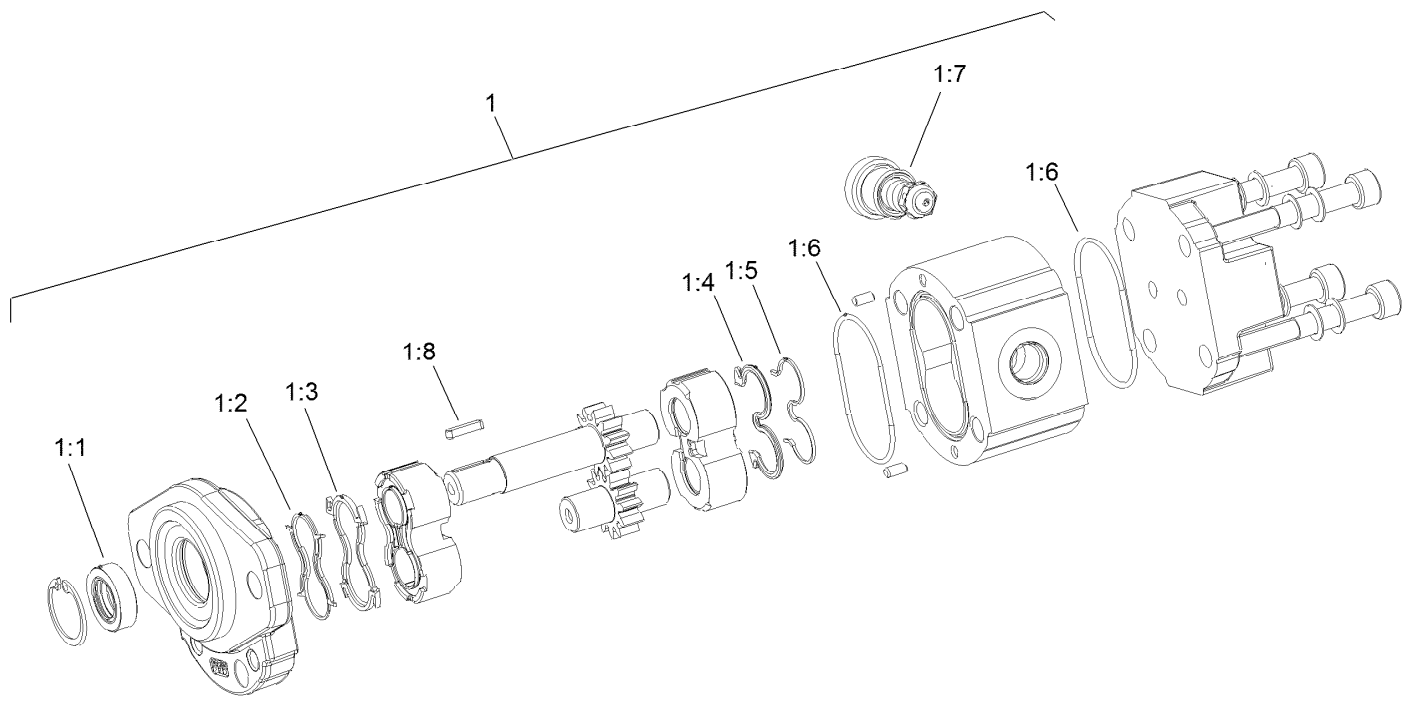
Engine Assembly



Engine Assembly (continued)

<i>Ref.</i>	<i>Part Number</i>	<i>Qty.</i>	<i>Description</i>	<i>Ref.</i>	<i>Part Number</i>	<i>Qty.</i>	<i>Description</i>
1	136-4610	1	Engine-Kohler, Zt740	20	132-9086-03	1	Arm-Idler
2	132-8995	1	Muffler-Kohler	21	110-9981	2	Washer-Plain
3	132-8916-03	1	Bracket-Muffler	22	132-9080	1	Bushing-Idler
4	132-8917-03	1	Bracket-Muffler	23	116-3626	1	Pulley-Idler
5	132-8907-03	1	Plate-Engine	24	80-6990	1	Washer-Hardened
6	119-0652	1	Coupler-Rubber	25	323-11	1	Screw-HH
7	132-8940-03	1	Bracket-Tank, Hydro	26	323-15	1	Screw-HH
8	322-5	2	Screw-HH	27	132-1184	1	Spring-Extension
9	3296-29	6	Nut-Lock, NI	28	323-7	2	Screw-HH
10	32144-109	4	Screw-Taptite	29	3212-10	1	Screw-HH
11	3296-39	2	Nut-Lock, NI	30	103-4177	1	Key
12	132-8938	1	Pulley-Engine	32	3234-42	4	Screw-HHF
13	104-8301	6	Nut-HF, NI	33	3234-47	14	Screw-HHF
14	115-7721	4	Nut-Clip, U	35	3245-9	2	Screw-Set, HSH
15	322-9	4	Screw-HH	36	32128-26	8	Nut-Flange
16	132-9033	1	Hub-Pump	37	110-6147	1	Washer-Flat
17	340-4	1	Fitting-Straight	38	132-8954	1	Pump-Gear
17:1	237-30	1	O-Ring	39	117-1261	1	Hose-Drain, Oil
17:2	237-79	1	O-Ring	40	114-3549	4	Nut
18	340-2	1	Fitting-Straight	41	132-9000-03	1	Shield-Manifold
18:1	237-22	1	O-Ring	42	136-4617	2	Sleeve-Thermal
18:2	237-42	1	O-Ring	43	32121-134	1	Pin-Roll
19	75-5270	1	Spacer-Knob, Seat	44	114-0463	2	Washer-Friction, Composite

Gear Pump Assembly No. 132-8954

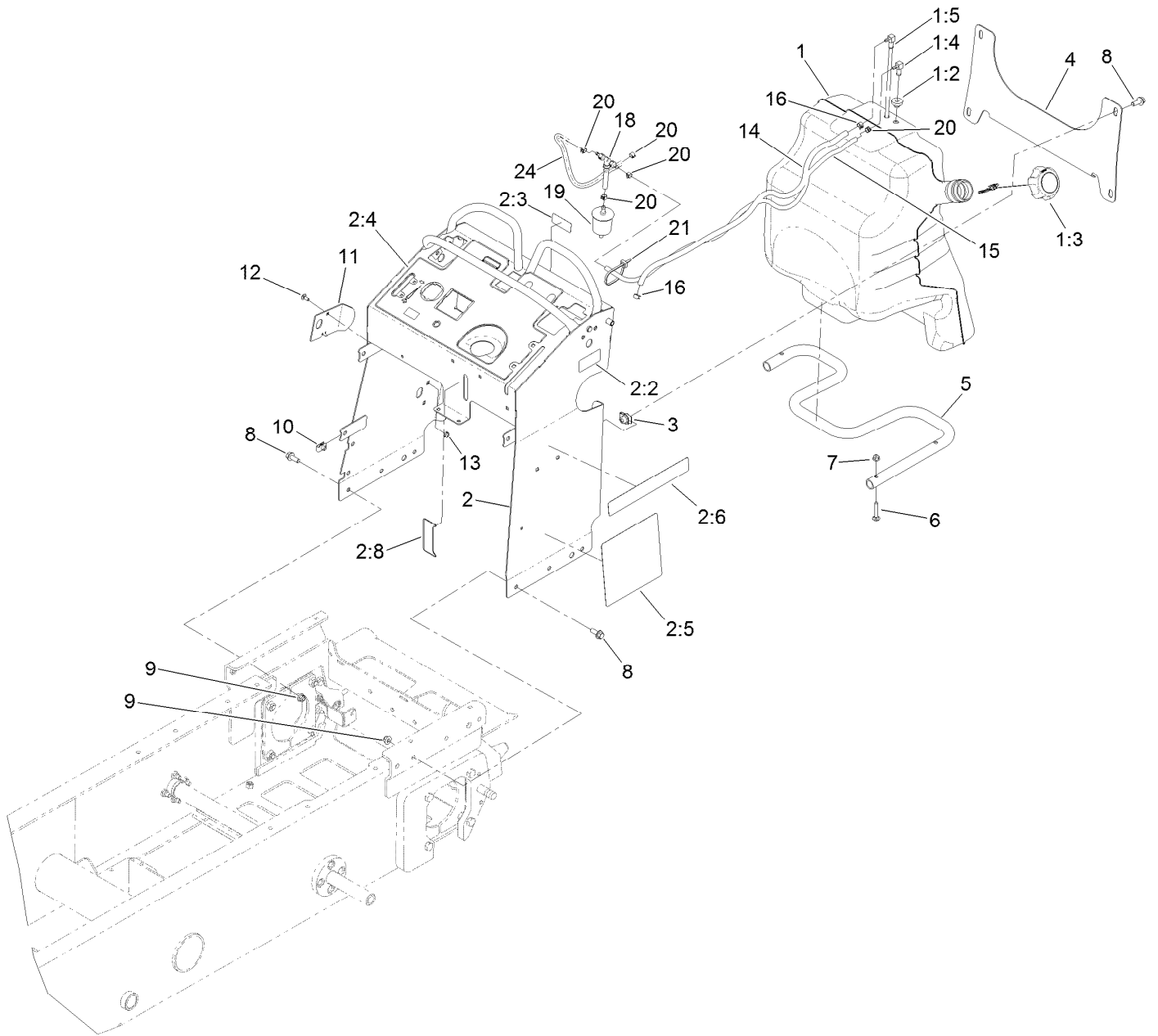


Gear Pump Assembly No. 132-8954 (continued)

<i>Ref.</i>	<i>Part Number</i>	<i>Qty.</i>	<i>Description</i>	<i>Ref.</i>	<i>Part Number</i>	<i>Qty.</i>	<i>Description</i>
1	132-8969	1	Seal-Kit	1:5		1	Anti Extrusion ●
1:1		1	Shaft Seal ●	1:6		2	O-Ring Seal ●
1:2		1	Anti Extrusion ●	1:7		1	O-Ring Seal ●
1:3		1	Upper Seal ●	1:8		1	Key ●
1:4		1	Seal ●				

● Not serviced separately

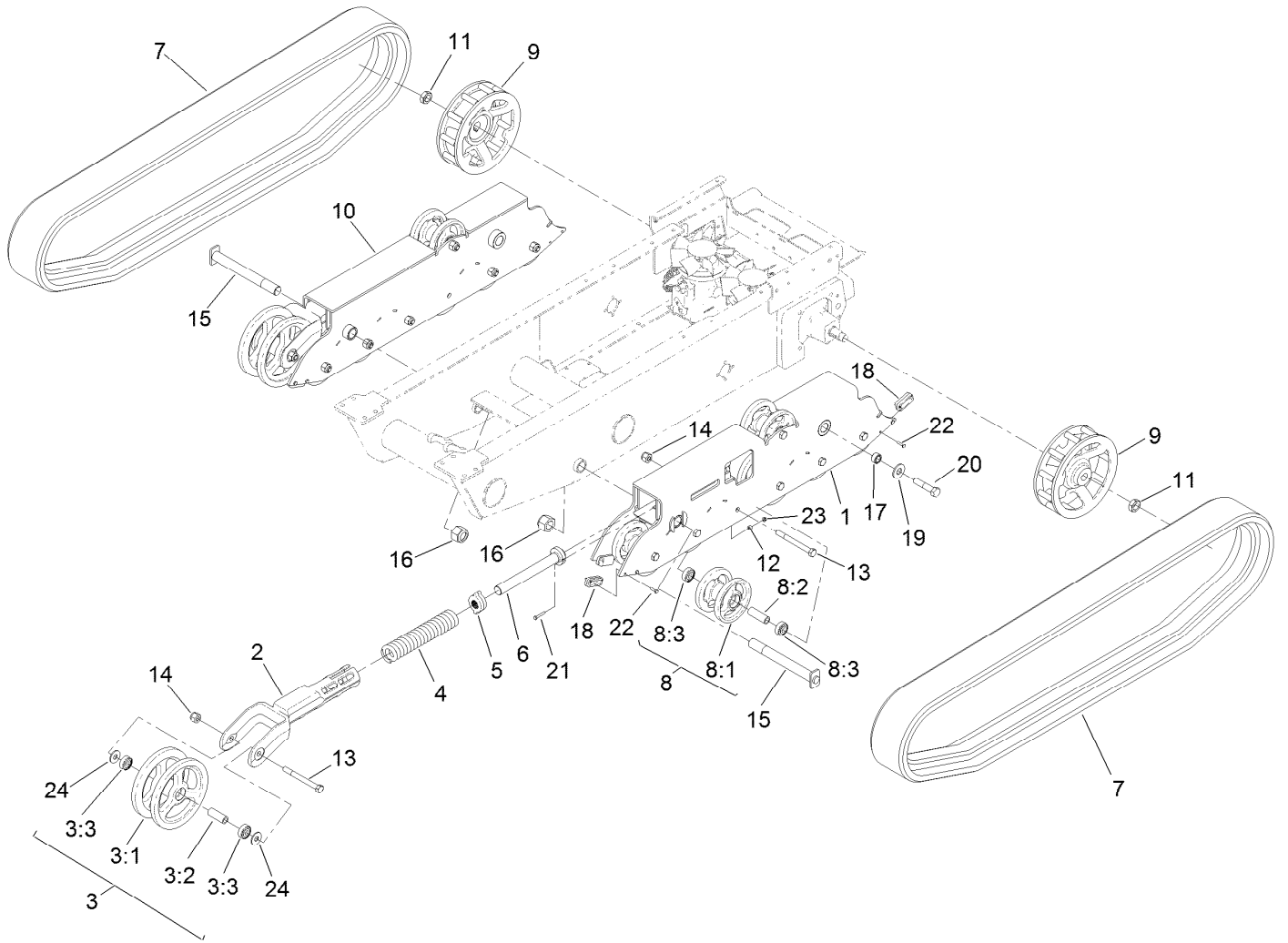
Fuel Tank and Tower Assembly



Fuel Tank and Tower Assembly (continued)

<i>Ref.</i>	<i>Part Number</i>	<i>Qty.</i>	<i>Description</i>	<i>Ref.</i>	<i>Part Number</i>	<i>Qty.</i>	<i>Description</i>
1	132-7560	1	Fuel Tank ASM	7	104-8300	3	Nut-HF, NI
1:2	46-6560	2	Bushing	8	3234-42	10	Screw-HHF
1:3	115-7788	1	Cap-Fuel	9	104-8301	6	Nut-HF, NI
1:4	104-5228	1	Fitting-Elbow, 90 DEG	10	115-7721	5	Nut-Clip, U
1:5	132-7559	1	Fuel Tube ASM	11	131-7455	1	Plate-Striker
2	136-4648	1	Tower ASM	12	3229-11	1	Screw-CARR
2:2	116-8775	1	Decal-Fill, Fuel	13	104-7201	1	Nut-Hex Flg
2:3	132-9052	1	Decal-Fuse	14	132-8929	1	Hose-Fuel
2:4	136-4615	1	Decal-Panel, Control	15	110-3958	1	Hose-Fuel
2:5	132-9087	1	Decal-Service	16	2412-98	2	Clamp-Hose
2:6	132-9057	2	Decal	18	116-5464	1	Tee And Check
2:8	137-0575	1	Decal-Level, Oil	19	120-2235	1	Filter-Fuel
3	105-4886	4	Nut-Tinnerman	20	2412-146	5	Clamp-Hose
4	132-1145-03	1	Bracket-Cross	21	3290-378	1	Tie-Cable
5	132-5161-01	1	Tube-Mount, Fuel Tank	24	132-9046	1	Hose-Vent
6	3230-5	3	Screw-CARR				

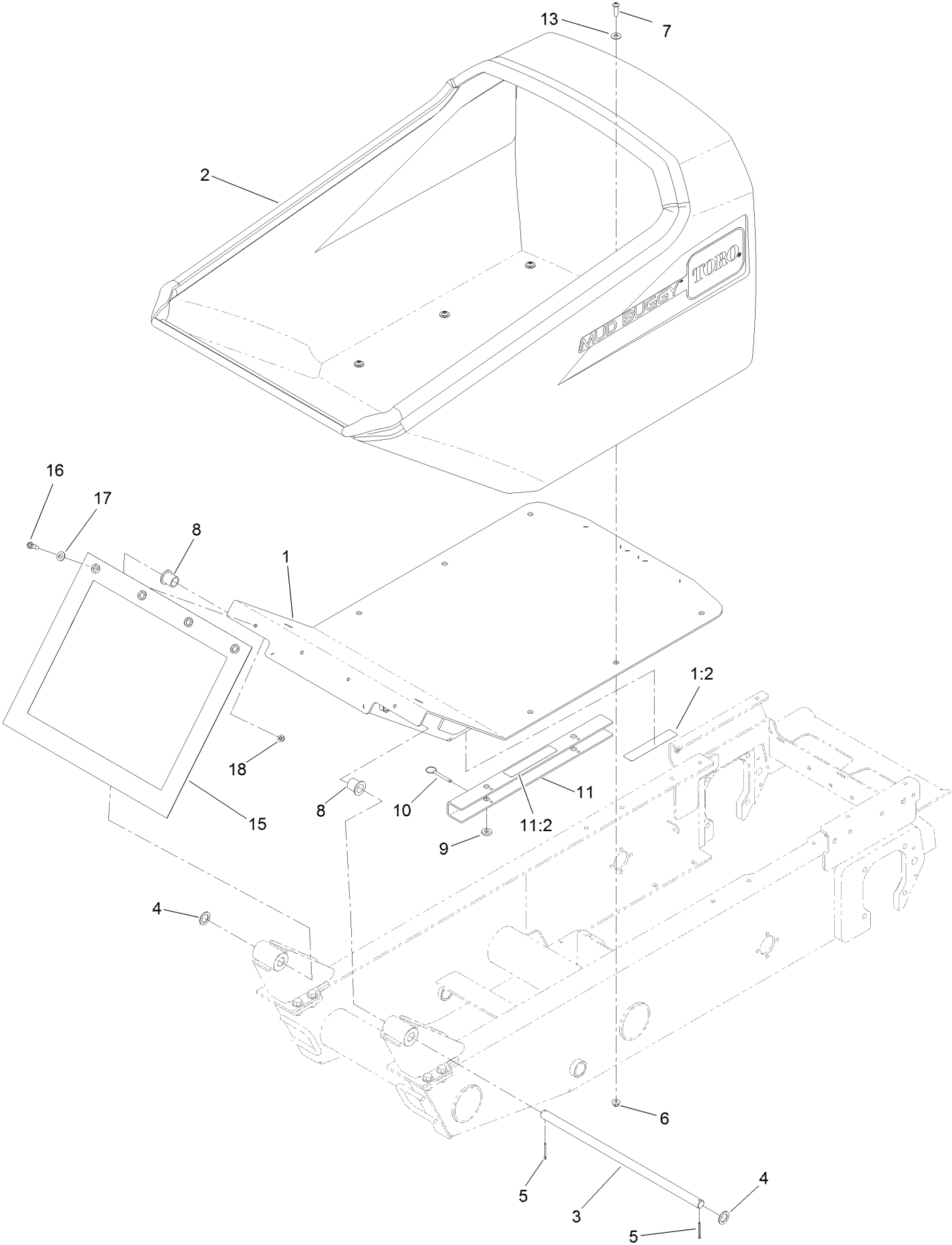
Track Assembly



Track Assembly (continued)

<i>Ref.</i>	<i>Part Number</i>	<i>Qty.</i>	<i>Description</i>	<i>Ref.</i>	<i>Part Number</i>	<i>Qty.</i>	<i>Description</i>
1	132-8813-03	1	Mount-Wheel, LH	11	26-3790	2	Nut-Lock
2	108-4691-03	2	Arm-Tensioner	12	98-4799	2	Spacer
3	104-5745	2	Tensioner Wheel ASM	13	327-17	16	Screw-HH
3:1	104-5747-03	1	Wheel-Tensioner	14	3296-24	16	Nut-Lock, NI
3:2	98-9835	1	Spacer-Wheel, Tensioner	15	130-1050	2	Pin-Track
3:3	120-5378	2	Bearing-Ball	16	125-0399	2	Nut-HH
4	95-3624	2	Spring-Compression	17	132-8944	2	Spacer-Track, Outside Mount
5	108-4664	2	Block-Tensioner	18	132-6053	8	Block-Track, Nt
6	127-9563	2	Bolt-Tensioner	19	99-2659	2	Washer
7	132-8812	2	Track	20	328-5	2	Screw-HH
8	125-0415	14	Road Wheel ASM	21	321-37	2	Screw-HH
8:1	125-0438-03	1	Wheel-Road	22	321-6	16	Screw-HH
8:2	130-7564	1	Spacer-Wheel	23	32128-32	2	Nut-HHF
8:3	120-5378	2	Bearing-Ball	24	3256-7	4	Washer-Flat
9	132-8893-03	2	Wheel-Drive				
10	132-8814-03	1	Mount-Wheel, RH				

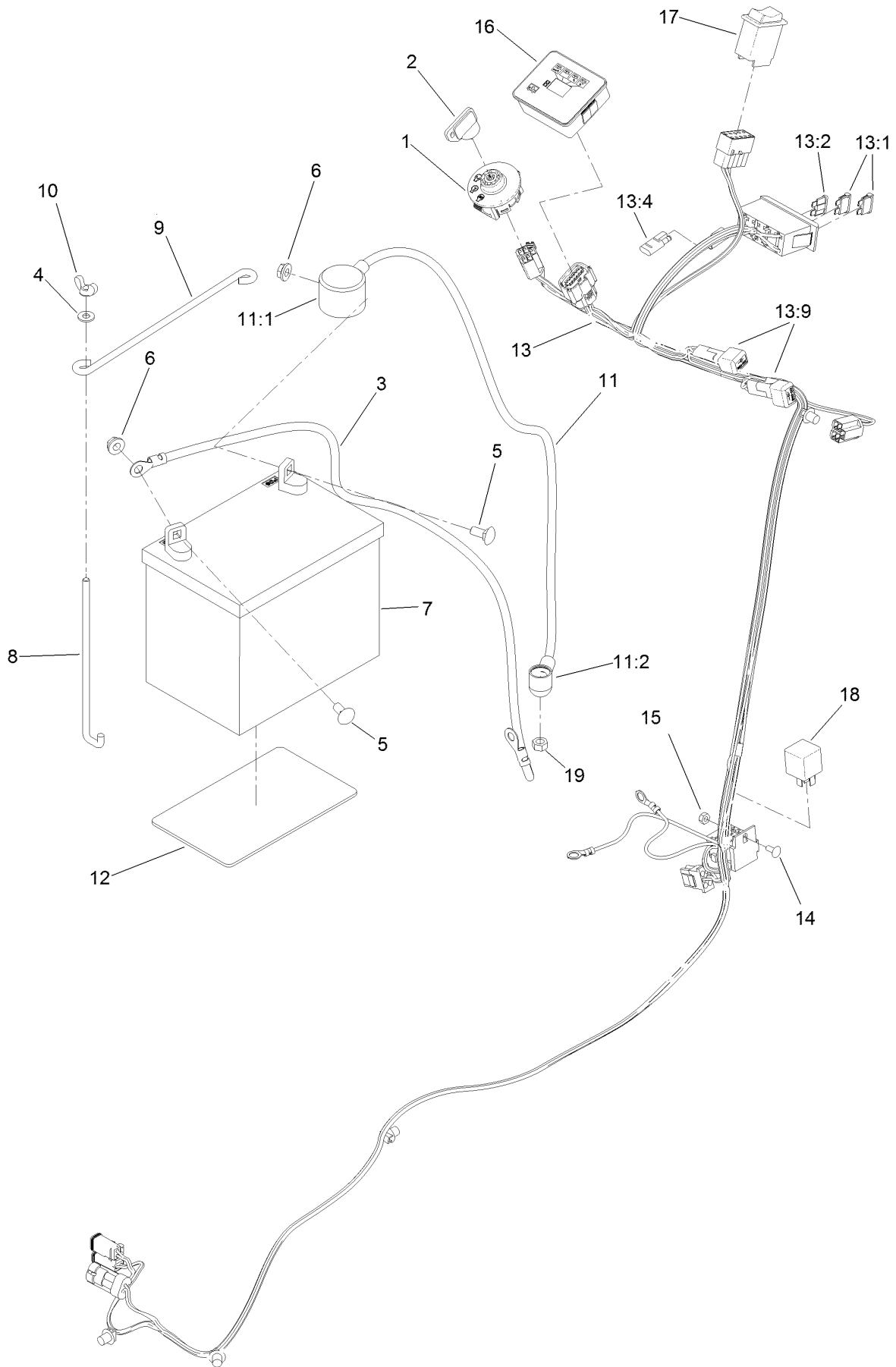
Hopper Assembly



Hopper Assembly (continued)

<i>Ref.</i>	<i>Part Number</i>	<i>Qty.</i>	<i>Description</i>	<i>Ref.</i>	<i>Part Number</i>	<i>Qty.</i>	<i>Description</i>
1	136-4649	1	Hopper Base ASM	9	83-1470	2	Washer-Neoprene
1:2	115-4858	1	Decal-Danger	10	108-0094	2	Pin-Cotterless
2	125-4806	1	Hopper-Mortar	11	130-5315	1	Arm-Locking
3	132-8854	1	Shaft-Pivot,Tub	11:2	115-4858	1	Decal-Danger
4	99-4958	2	Spacer	13	3256-4	6	Washer-Flat
5	3272-13	2	Pin-Cotter	15	132-9044	1	Shield-Splatter
6	104-8301	6	Nut-HF, NI	16	28-0540	4	Bolt-Shoulder
7	3274-63	6	Screw-HSBH	17	3256-25	4	Washer-Flat
8	1-303514	2	Bearing-Flanged	18	104-8300	4	Nut-HF, NI

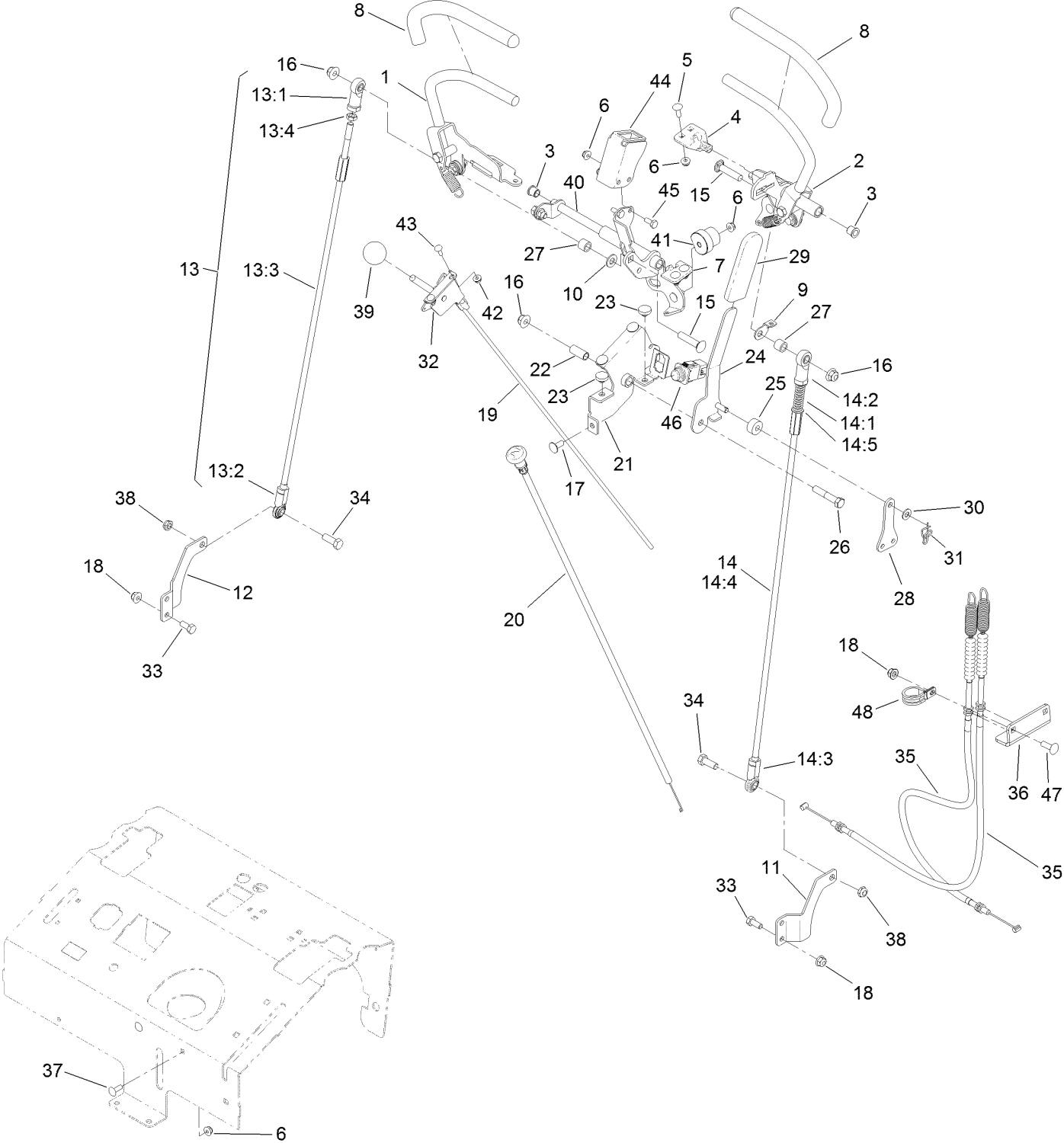
Electrical Harness Assembly



Electrical Harness Assembly (continued)

<i>Ref.</i>	<i>Part Number</i>	<i>Qty.</i>	<i>Description</i>	<i>Ref.</i>	<i>Part Number</i>	<i>Qty.</i>	<i>Description</i>
1	117-2222	1	Switch-Ignition	12	62-4300	1	Pad-Skid, Anti
2	63-8360	1	Key-Ignition	13	132-8870	1	Harness-Wire
3	117-7240	1	Cable-Battery, Negative	13:1	109355	2	Fuse-Blade, 15 Amp
4	3256-22	2	Washer-Flat	13:2	114241	1	Fuse-Blade, 7.5 Amp
5	3230-1	2	Bolt-CARR	13:4	116-0053	1	Cap-Plug
6	32128-20	2	Nut-HF	13:9	100-4918	2	Diode
7	99-7421	1	Battery (300 CCA, Wet)	14	1-807513	1	Bolt-CARR
8	100-6435	2	Post-Battery	15	3296-2	1	Nut-Lock, NI
9	100-6434	1	Rod-Hold Down, Battery	16	132-8959	1	Module, Hour Meter
10	32103-22	2	Nut-Wing	17	AU113664	1	Switch-Rocker, 2 Pole
11	109-7630	1	Positive Battery Cable ASM	18	1-643275	1	Relay
11:1	109-2407	1	Insulator-Battery	19	33014-00	1	Nut-Hex
11:2	1-543393	1	Insulator-Solenoid				

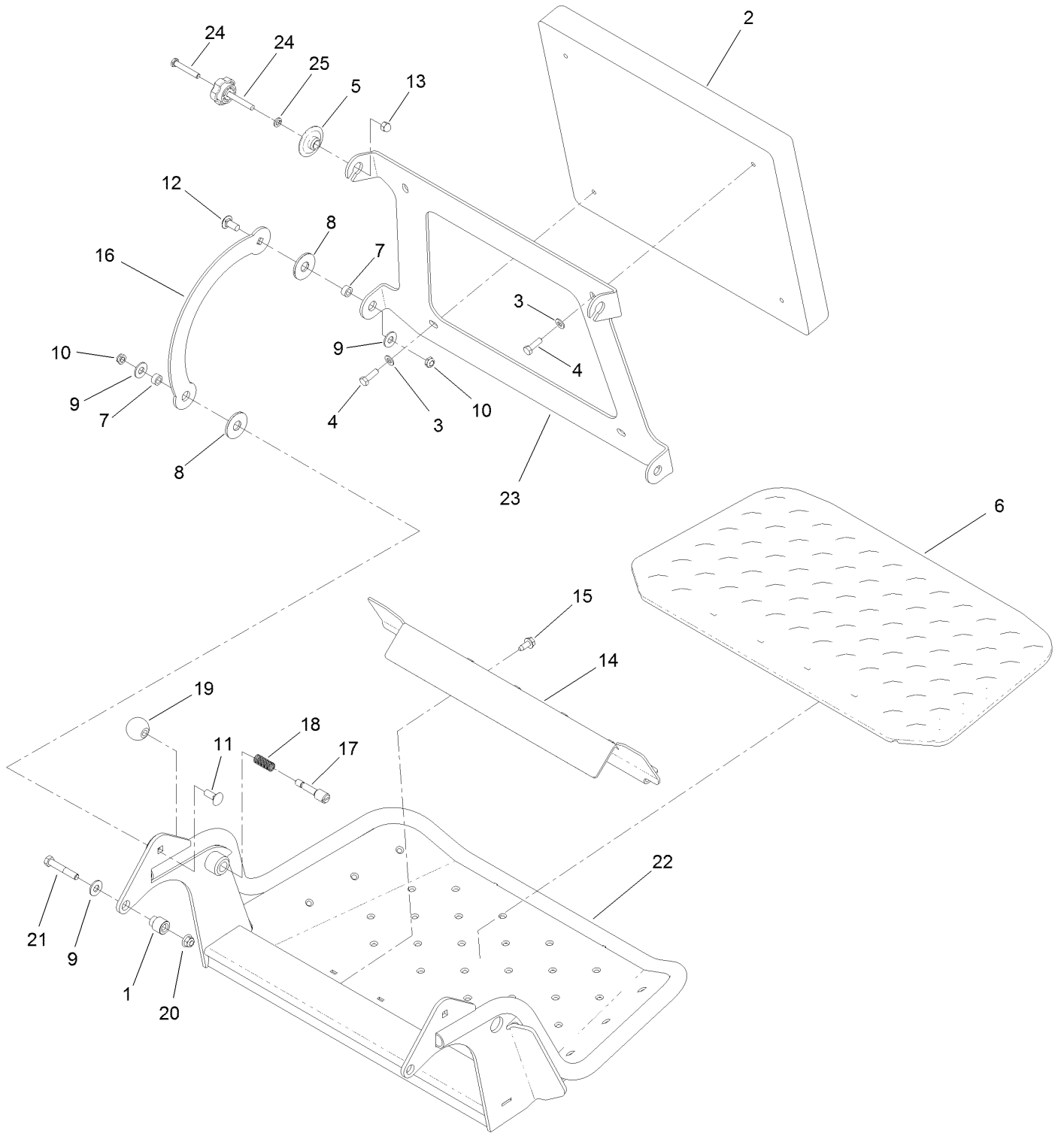
Control Assembly



Control Assembly (continued)

<i>Ref.</i>	<i>Part Number</i>	<i>Qty.</i>	<i>Description</i>	<i>Ref.</i>	<i>Part Number</i>	<i>Qty.</i>	<i>Description</i>
1	132-9048	1	RH Control Handle ASM	21	132-8919-03	1	Bracket-Brake, Pivot
2	132-9047	1	LH Control Handle ASM	22	131-3562	1	Bearing-Sleeve
3	103-9928	2	Bearing	23	1-513658	2	Bumper
4	120-3288	1	Tab-Pivot, LH	24	132-8920-03	1	Handle-Arm, Brake
5	3229-1	4	Bolt-CARR	25	132-9064	1	Bushing-Brake
6	104-7201	10	Nut-Hex Flg	26	323-10	1	Screw-HH
7	120-3287	1	Tab-Pivot, RH	27	93-9847	2	Spacer
8	119-0222	2	Grip	28	132-1188	1	Yoke-Cable
9	132-7538	1	Bracket-Adjustment, Speed	29	1-633268	1	Grip-Lever
10	3256-24	1	Washer-Flat	30	93-6079	1	Spacer-Nylon
11	131-5748-03	1	Bracket-Hydro, LH	31	112-1491	1	Pin-Cotter
12	131-5747-03	1	Bracket-Hydro, RH	32	110-5547	1	Lever-Control
13	132-9010	1	RH Control Rod ASM	33	322-3	5	Screw-HH
13:1	92-7008	1	End-Rod, Female	34	323-6	2	Screw-HH
13:2	103-1167	1	Joint-Ball End, LH	35	132-8921	2	Cable-Brake
13:3	132-7515	1	Rod-Control	36	132-8923-03	1	Bracket-Cable, Brake
13:4	3220-3	1	Nut-HJ	37	3229-25	2	Screw-CARR
14	132-9009	1	LH Control Rod ASM	38	3296-59	2	Nut-Lock, NI
14:1	1-603807	1	Spring-Return, Neutral	39	1-603175	1	Knob-Ball
14:2	92-7008	1	End-Rod, Female	40	132-9029-03	1	Pivot/Plate Switch ASM
14:3	103-1167	1	Joint-Ball End, LH	41	126-1499	2	Cam
14:4	132-7515	1	Rod-Control	42	32128-17	2	Nut-Lock, Flange
14:5	3256-45	2	Washer-Flat	43	1-807533	2	Bolt-CARR
15	3231-29	2	Screw-CARR	44	132-9027-03	1	Bracket-Switch
16	104-8301	3	Nut-HF, NI	45	321-3	2	Screw-HH
17	3230-23	3	Screw-CARR	46	100-1268	1	Switch-Plunger
18	104-8300	10	Nut-HF, NI	47	3230-22	2	Screw-CARR
19	115-1211	1	Cable-Control	48	2412-104	1	Clamp-R
20	132-9035	1	Cable-Choke				

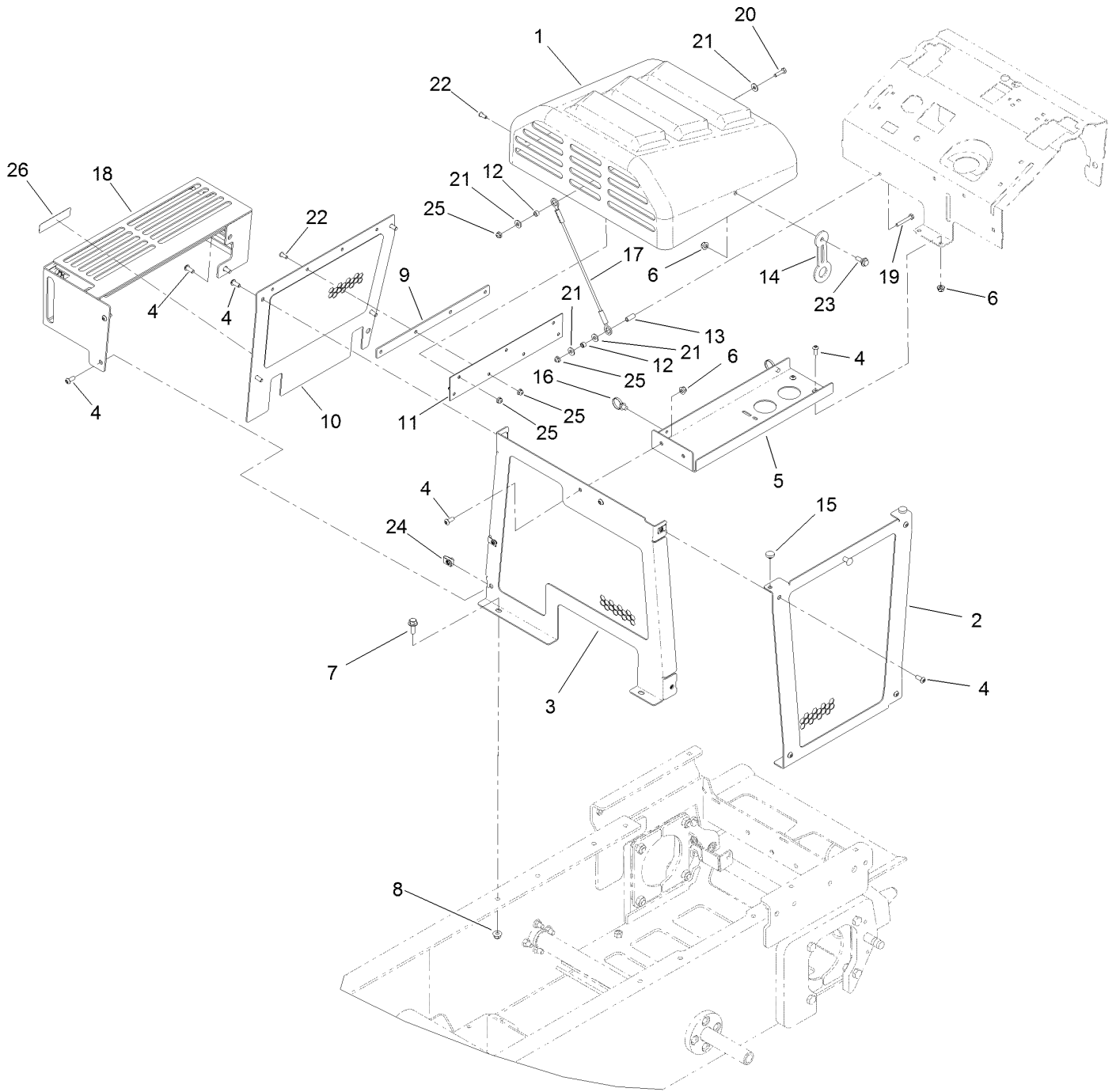
Platform Assembly



Platform Assembly (continued)

<i>Ref.</i>	<i>Part Number</i>	<i>Qty.</i>	<i>Description</i>	<i>Ref.</i>	<i>Part Number</i>	<i>Qty.</i>	<i>Description</i>
1	132-7583	2	Bushing-Flanged	14	136-5669-03	1	Clamp-Shield
2	117-9739	1	Pad-Cushion	15	32144-70	2	Screw-HWHTF
3	3256-23	4	Washer-Flat	16	114-1915-03	2	Link-Pad
4	121-7999	4	Screw-HH	17	119-8650	1	Pin-Latch
5	116-2886	2	Slide-Bushing	18	114-5348	1	Spring
6	126-7157	1	Mat-Platform	19	1-603175	1	Knob-Ball
7	111044	4	Spacer	20	104-8301	2	Nut-HF, NI
8	114-0463	4	Washer-Friction, Composite	21	323-11	2	Screw-HH
9	3256-4	6	Washer-Flat	22	120-8475-03	1	Platform ASM
10	3296-59	4	Nut-Lock, NI	23	120-8499-03	1	Hinge-Pad
11	3231-2	2	Bolt-CARR	24	133-1426	2	Knob
12	3231-27	2	Screw-CARR	25	3253-4	2	Washer-Lock
13	131-4535	2	Nut-Acorn				

Hood Assembly



Hood Assembly (continued)

<i>Ref.</i>	<i>Part Number</i>	<i>Qty.</i>	<i>Description</i>	<i>Ref.</i>	<i>Part Number</i>	<i>Qty.</i>	<i>Description</i>
1	132-8990	1	Hood ASM	14	ST47182	1	Latch-Rubber
2	132-8886-01	1	Panel-Side, LH	15	1-513658	2	Bumper
3	132-8887-01	1	Panel-Front	16	32180-118	2	Clip-Tie
4	3274-55	16	Screw-HSBH	17	130-5726	1	Lanyard
5	132-8876-03	1	Platform-Battery	18	136-4592-01	1	Guard-Muffler
6	104-8300	5	Nut-HF, NI	19	321-10	1	Screw-HH
7	3234-42	2	Screw-HHF	20	120-4654	1	Screw-HHF
8	104-8301	2	Nut-HF, NI	21	3256-2	4	Washer-Flat
9	132-9050-03	1	Plate-Spacer, Hood	22	3274-31	7	Screw-HSBH
10	132-3905-01	1	Panel-Side, Upper	23	116-2670	1	Screw-Shoulder
11	132-9021	1	Hinge-Hood	24	115-7721	6	Nut-Clip, U
12	55-9370	2	Spacer-Blade, Rotor	25	104-7201	9	Nut-Hex Flg
13	87-4710	1	Spacer-Brake, Parking	26	117-2718	1	Decal-Arrester, Spark

Attachments and Accessories

For 68138 MBTX-2500 Tracked Mud Buggy

Product Name	Model/Part
Light Kit, Tracked Mud Buggy	132-9082
Spark Arrestor	98-9099

Notes:



Count on it.