

KUBOTA UTILITY VEHICLE

Kubota®

RTV GAS-POWERED
RTV400 / RTV500



RTV500

- *Smooth, quiet 15.8HP Gasoline Engine*
- *Exclusive Variable Hydro Transmission (VHT Plus)*
- *Standard 4-Wheel Drive*

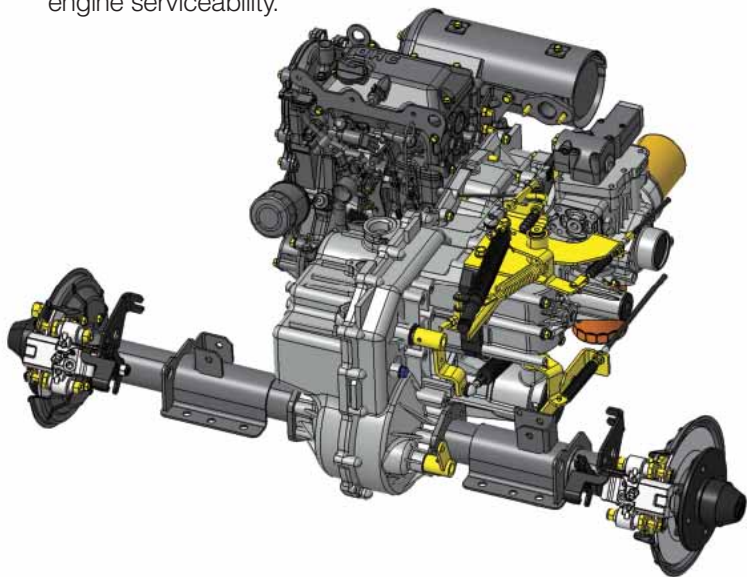


The RTV500—advanced technology from Kubota delivers exceptional performance and reliability in a compact size.

Whether you're tending a park, hunting in the woods, or simply roaming your property, let Kubota's RTV500 take you wherever you need to go. This quiet utility vehicle features Kubota's durable liquid-cooled EFI gasoline engine, variable hydrostatic transmission, and more—all packed into a compact body. Used for a variety of applications, it's powerful and rugged enough to handle uneven terrain, yet it can fit into the bed of a full-size pickup truck, so you can take it with you. With all of this and more, you can rest assured that the high-performance RTV500 is always at the ready, no matter where you want to go.

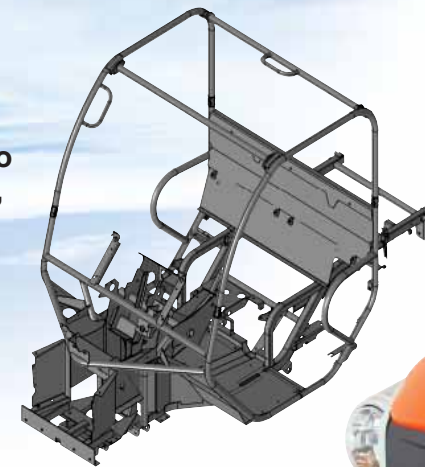
Kubota Liquid-cooled EFI Gasoline Engine

The RTV500's smooth 15.8-horsepower, 2-cylinder Kubota gasoline engine is liquid-cooled to ensure reliability and minimize noise and vibration, reducing operator fatigue and increasing efficiency. The engine features an Electronic Fuel Injection (EFI) system that provides on-demand power, optimizes acceleration and enhances quiet operability. Plus, the EFI eliminates the need to adjust the carburetor—enabling better engine start-up in cold weather or after long-term storage, and improving engine serviceability.



VHT Plus (Variable Hydro Transmission)

Kubota's exclusive and innovative hydrostatic transmission provides the RTV500 with an exceptional level of performance, handling, and reliability under tough conditions. Approach long downhill grades with confidence utilizing the VHT Plus' smooth, engine-assisted deceleration. In addition, the VHT offers outstanding traction and impressive power, providing the muscle to take you almost anywhere.



Standard Rollover Protective Structure (ROPS)



Shown with optional front guard.



Robust, reliable semi-independent rear suspension

Comfortable Operator Area

Get in and get going. The RTV500 features ergonomic, well-placed controls for easy operation, and a comfortable contoured bench seat, so both the driver and passenger can enjoy a full day of work or play. The low operator platform offers ample and obstacle-free leg room, so it's simple to step on or off.



Designed for Convenient Transportation

Kubota specifically designed the RTV500's compact frame to make it easy to load into the bed of a full-size long bed pickup truck*. It's ideal for camping, hunting, or any rugged outdoor adventure.



** Always secure RTV with proper tie-downs, especially with open tailgate.*



KUBOTA UTILITY VEHICLE
RTV500

Specifications

Model Name		RTV400Ci	RTV500
Engine	Type	1-cylinder, Gas, OHC, Air-cooled, EFI	2-cylinder, Gas, OHC, Water-cooled, EFI
	Displacement	cu. in. (cc) 24.6 (404)	27.8 (456)
	Horsepower	HP (kW) / rpm 16.0 (11.9) / 4800	15.8 (11.8) / 3600
Fuel tank capacity	U.S. gals (ℓ)	5.2 (20)	
Transmission		CVT PLUS Continuously Variable Transmission (CVT) with Inertial Clutch	VHT PLUS Variable Hydro Transmission
Max. traveling speed	mph (km/h)	25 (40)	
Wheels, drive system		4, 4WD w/2WD selection	
Differential lock		Standard; hand operated with mechanical holder	
Gear selection		Hi-Lo range forward, neutral, reverse	
Brakes	Front / Rear	Dry-disc brakes	
	Parking brake	Rear wheel, hand lever	
Steering		Rack & Pinion	
Suspension	Front / Rear	Independent, Mac-Pherson strut-type / Semi-independent, multi-link	
Dimensions	Length	in. (mm)	105.9 (2690)
	Width	in. (mm)	54.7 (1390)
	Height, overall	in. (mm)	72 (1829)
	Front tread centers	in. (mm)	40 (1016)
	Rear tread centers	in. (mm)	41 (1041)
	Wheelbase	in. (mm)	70.9 (1800)
	Ground clearance front/rear axle	in. (mm)	8.1 (205) / 6.9 (172)
	Turning diameter	ft. (m)	22.9 (7)
Max. rolling weight (towing capacity)	lbs. (kg)	1102 (500)	
Payload capacity	lbs. (kg)	1058 (480)	949 (430)
Weight	lbs. (kg)	1246 (565) with ATV tires, 1257 (570) with HDWS Tires	
Cargo bed	Width × Length × Depth	in. (mm)	40.6 (1032) × 33.7 (856) × 11.4 (290)
	Volume	cu. ft. (m³)	9.0 (0.25)
	Bed height (unloaded)	in. (mm)	31.9 (810)
	Cargo bed load	lbs. (kg)	441 (200)
Tires	Front		24 × 9-12 ATV, 6PLY
			24 × 9-12 HDWS, 6PLY
	Rear		24 × 11-12 ATV, 6PLY
			24 × 11-12 HDWS, 6PLY
Body color		Orange, Camouflage (Realtree® Hardwoods®)	
Speedometer		Opt.	
Front guard		Opt.	
Headrest		Opt.	

**Realtree® is a registered trademark of Jordan Outdoor Enterprises, Ltd.
The company reserves the right to change the above specifications without notice. This brochure is for descriptive purposes only. Please contact your local Kubota dealer for warranty and safety information.
The values in "Ground clearance" and "Weight" are those of the machine equipped with the tires in the table above. Some RTVs in this web site are shown with optional accessories. For off-highway use only.



KUBOTA TRACTOR CORPORATION

Visit our web site at: www.kubota.com

