



OWNER'S OPERATING MANUAL

TILE CUTTER MK-70



■ SPECIFICATIONS

Input.....	120V~,60Hz,8.75Amp
No Load Speed.....	No:11000/min.
Blade Diameter.....	4 3/8" (110 mm)
Max Cutting Capacity	
at 90°.....	1 3/8" (34mm)
at 45°.....	1" (25mm)
Net Weight.....	2.8kg

DOUBLE INSULATED

GENERAL SAFETY RULES

WARNING! Read and understand all instructions. Failure to follow all instructions listed below, may result in electric shock, fire and/or serious personal injury.

SAVE THESE INSTRUCTIONS

Work Area

Keep your work area clean and well lit. Cluttered benches and dark areas invite accidents.

Do not operate power tools in explosive atmospheres, such as in the presence of flammable liquids, gases, or dust.

Power tools create sparks which may ignite the dust or fumes.

Keep bystanders, children, and visitors away while operating a power tool.

Distractions can cause you to lose control.

Electrical Safety

Double Insulated tools are equipped with a polarized plug (one blade is wider than the other.) This plug will fit in a polarized outlet only one way. If the plug does not fit fully in the outlet, reverse the plug. If it still does not fit, contact a qualified electrician to install a polarized outlet. Do not change the plug in any way. Double Insulation eliminates the need for the three wire grounded power cord and grounded power supply system.

Avoid body contact with grounded surfaces such as pipes, radiators, ranges and refrigerators. There is an increased risk of electric shock if your body is grounded.

Don't expose power tools to rain or wet conditions. Water entering a power tool will increase the risk of electric shock.

Do not abuse the cord. Never use the cord to carry the tools or pull the plug from an outlet. Keep cord away from heat, oil, sharp edges or moving parts. Replace damaged cords immediately. Damaged cords increase the risk of electric shock.

When operating a power tools outside,use an outdoor extension cord marked "W-A" or "W". These cords are rated for outdoor use and reduce the risk of electric shock.

Personal Safety

Stay alert, watch what you are doing and use common sense when operating a power tool. Do not use tools while tired or under the influence of drugs, alcohol, or medication. A moment of inattention while operating power tools may result in serious personal injury.

Dress properly. Do not wear loose clothing or jewelry. Contain long hair. Keep your hair, clothing, and gloves away from moving parts. Loose clothes, jewelry, or long hair can be caught in moving parts.

Avoid accidental starting. Be sure switch is off before Plugging in. Carrying tools with your finger on the switch or plugging in tools that have the switches on invites accidents.

Remove adjusting keys or switches before turning the tool on. A wrench or a key that is left attached to a rotating part or the tool may result in personal injury.

Do not overreach. Keep proper footing and balance at all times. Proper footing and balance enables better control of the tool in unexpected conditions.

Use safety equipment. Always wear eye protection. Dust mask, non-skid safety shoes, hard hat, or hearing protection must be used for appropriate situations.

Tool Use and Care

Use clamps or other practical way to secure and support the workpiece to a stable platform. Holding the work by hand or against your body is unstable and may lead to loss of control.

Do not force tool. Use the correct tool for your application. The correct tool will do the job better and safer at the rate for which it is designed.

Do not use tool if switch does not turn it on or off. Any tool that cannot be controlled with the switch is dangerous and must be repaired.

Disconnect the plug from the power source before making any adjustments, changing accessories, or storing the tool. Such preventive safety measures reduce the risk of starting the tool accidentally.

Store idle tools out of reach of children and other untrained persons. Tools are dangerous in the hands of untrained users.

Maintain tools with care. Keep cutting tools sharp and clean. Properly maintain tools, with sharp cutting edges are less likely to bind and are easier to control.

Check for misalignment or binding of moving parts, breakage of parts, and any other condition the may affect the tools operation. If damaged, have that tool serviced before using. Many accidents are caused by poorly maintained tools.

Use only accessories that are recommended by the manufacturer for your model. Accessories that may be suitable for one tool, may become hazardous when used on another tool.

SERVICE

Tools service must be performed only by qualified repair personnel. Service or maintenance performed by unqualified personnel could result in a risk of injury.

When servicing a tool, use only identical replacement parts. Follow instructions in the maintenance section of this manual.

Use of unauthorized parts or failure to follow Maintenance Instructions may create risk of electric shock or injury.

SPECIFIC SAFETY RULES

DANGER! Keep hands away from cutting areas and blade. Keep your second hand on auxiliary handle, or motor housing. If both hands are holding the saw, they cannot be cut by the blade. **Keep your body positioned to either side of the saw blade, but not in line with the saw blade.** KICKBACK could cause the saw to jump backward(See " Causes and Operator Prevention of KICKBACK")

Do not reach underneath the work. The guard can not protect you from the blade below the work.

Make surface blade is stopped before placing saw down on bench or floor. An unprotected, coasting blade will cause the saw to walk forward, cutting whatever is in its path. Be aware of the time it takes for the blade to stop after switch is released.

NEVER hold piece being cut in your hands or across your leg. It is important to support the work properly to minimized body exposure, blade binding, or loss of control.

Hold tool by insulated gripping surfaces when performing an operation where the cutting tool may contact hidden wiring or its own cord. Contact with a " live" wire will also make exposed metal parts of the tool "live" and shock the operator.

Always use blades with correct size and shape(diamond vs. round) arbor holes. Blades that do not match the mounting hardware of the saw will run eccentrically, causing loss of control.

NEVER use damaged or incorrect blade washers or bolts. The blade washers and bolt were specially designed for your saw, for optimum performance and safety.of operation.

CAUSES AND OPERATOR PREVENTION OF KICKBACK

Kickback is a sudden reaction to a pinched, bound or misaligned saw blade, causing an uncontrolled saw to lift up and out of the work piece toward the operator.

When the blade is pinched or bound tightly by the kerf closing down, the blade stalls and the motor reaction drives the unit rapidly back toward the operator.

If the blade becomes twisted or misaligned in the cut, the teeth at the back edge of the blade can dig into the top surface of the wood causing the blade to climb out of the kerf and jump back toward operator.

Kickback is the result of tool misuse and/or incorrect operating procedures or conditions and can be avoided by taking proper precautions as given below.

- 1. Maintain a firm grip with both hands on the saw and position your body and arm to allow you to resist KICKBACK forces.** KICKBACK forces can be controlled by the operator, if proper precautions are taken.
- 2. When blade is binding, or when interrupting a cut for any reason, release the trigger and hold the saw motionless in the material until the blade comes to a complete stop. Never attempt to remove the saw from the work or pull**

- the saw backward while the blade is in motion or **KICKBACK** may occur. Investigate and take corrective actions to eliminate the cause of blade binding.
3. **When restarting a saw in the work piece, center the saw blade in the kerf and check that saw teeth are not engaged into the material.** If saw blade is binding, it may walk up or KICKBACK from the work piece as the saw is restarted.
 4. **Do not use dull or damaged blade.** Unsharpened or improperly set blades produce narrow kerf causing excessive friction, blade binding and KICKBACK.
 5. **Blade depth and bevel adjusting locking levers must be tight and secure before making cut.** If blade adjustment shifts while cutting, it may cause binding and KICKBACK.
 6. **Use extra caution when making a "Pocket Cut" into existing walls or other blind areas.** The protruding blade may cut objects that can cause KICKBACK.

TILE CUTTER PERCAUTIONS

1. Make sure a tool is only connected to the voltage marked on its name plate.
2. Always wear hearing protection, safety glasses and dust mask.
3. Never touch the moving parts or the blade during use.
4. Never start a tool when its rotating components is in contact with the work piece.
5. Check the blade carefully for cracked and damaged before use. If cracked and damaged, replace it immediately.
6. Never lay a tool down before its moving parts have come to a complete stop.
7. Keep the cord away from the cutting area and position it so that it will not be caught on the work piece.
8. Never attempt to cut with the tool held upside down in vise. This will lead to serious injury.
9. Be sure motor is reaching the full speed before starting cutting work.
10. It is extremely dangerous to point the cutting surface toward any person.

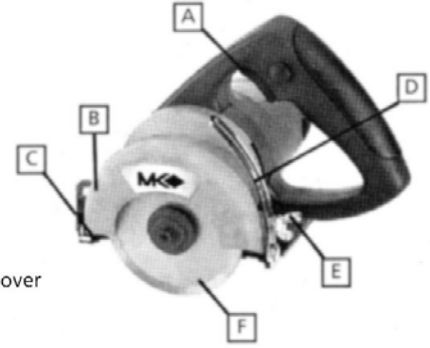


APPLICATION

(Use only for the purposes listed below)

Sawing and layout of varieties of stones materials and tiles, and concrete components.

Before attempting to use your tool, familiarize yourself with all operating features and safety requirements.



- A Switch
- B protection cover
- C Base
- D Cutting depth adjustment
- E Wing nut
- F Diamond blade

OPERATION

DIAMOND BLADE INSTALLATION AND REMOVAL



Warning: Before installing or removing blade, turn off the power supply. Failure to do so may result in accidental starting of the tool which may cause serious injury.

To remove the blade, grip outside flange with box wrench and turn socket wrench clockwise. To install, follow the removal procederus in reverse.

■ TRIGGER (ON-OFF)

Your tool starts and stops by depressing and releasing the trigger. Depressing the trigger runs the tool "on". Releasing the trigger runs the tool "off".



■ DEPTH OF CUT

Loosen wing nut on angle plate and move base up or down at desired depth, then secure the base by tightening wing nut.

■ ANGLE OF CUT

Loosen wing nut on depth guide and move tool body to desired angle, then secure the body by tightening wing nut.

■ OPERATING

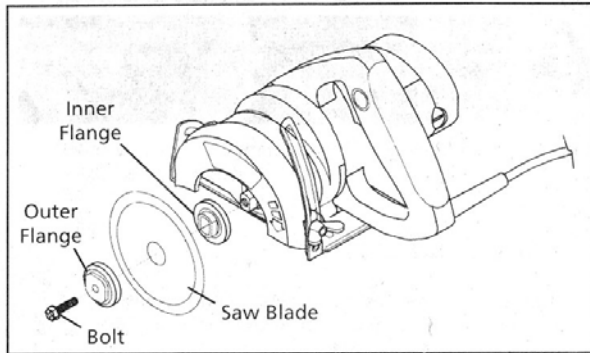
Put the base on the work piece without contacting with the blade. Start to move tool smoothly after turning tool on to reach the full speed. Move the cutter forward slowly until cut in complete and keep the cutting line straight.

REMOVING AND INSTALLING DIAMOND WHEEL

Always ensure the tool is switched off and unplugged before removing or installing diamond wheel.

To remove diamond wheel, grip outside flange with box wrench and turn socket wrench clockwise.

To install, follow the removal procedures in reverse.



REPLACING CARBON BRUSHES

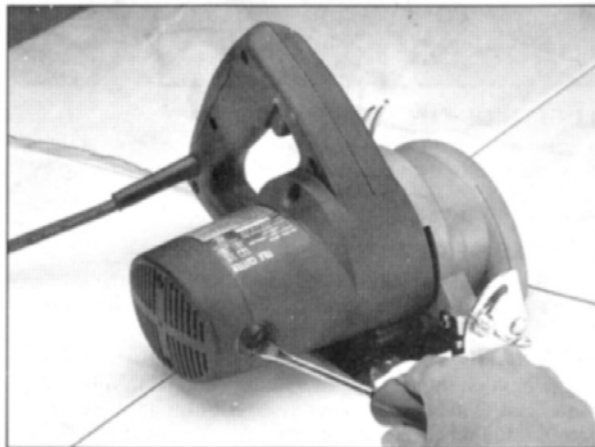
Remove and check the carbon brushes regularly.

Replace when the carbon brushes have worn down to about 6mm, or less.

Keep the carbon brushes clean, for free movement in the holder.

Both carbon brushes should be replaced at the same time.

Use screwdriver to remove brush caps then take out worn carbon brushes, insert new ones and secure the brush caps.



MAINTENANCE



Warning: When servicing use only identical replacement parts. Use of any other parts may create a hazard or cause product damage.

- Do not attempt to make any adjustments while the tool is in operation.
 - Clean out any accumulated dust.
- Refer to the label for the production date.



Warning: Check extension cords before each use. If damaged replace immediately. Never use tool with a damaged cord since touching the damaged area could cause electrical shock resulting in serious injury.



Warning: Always remove the electric power cord from the power supply before changing parts, lubricating or when working on the unit to avoid possible serious injury.



Warning: This electric tool is in accordance with the relevant safety requirements. To assure safety and reliability, all repairs with the exception of external accessible brushes should be performed by an Authorized Service Center or other Qualified Service Organization.

ACCESSORIES

Box wrench, wrench.

MK Diamond Products, Inc.
1315 Storm Parkway
Torrance, CA 90509
U.S.A.

6096-853008