



Customer Safety and Operation Guide

Electric Eel®

Electric Eel Model K
50 Ft. Manual Snake

Email: info@electriceel.com

Website: www.electriceel.com

WARNING

Safety Topics



Read and understand all safety and operational guidelines before operating this machine. Failure to follow safety and operations guide could result in death or serious injury. Please visit www.electriceel.com for the manufacturers operation and safety manual for the Model K.

Safety Checklist



DANGER!!!

TO PREVENT SERIOUS BODILY INJURY:

1. **ALWAYS** wear heavy leather gloves and safety glasses when operating equipment.
2. **DO NOT** wear loose clothing or jewelry while operating this machine.
3. Machine should be **operated by one person only**.
4. **ALWAYS** wear rubber-soled non-slip shoes.
5. **ALWAYS** avoid contact of skin, facial area and especially eyes with drain water.
6. **ALWAYS** keep clear of rotating cages/drums, shafts, pulleys, belts or other rotating parts.



Customer Safety and Operation Guide

Electric Eel®

Electric Eel Model K
50 Ft. Manual Snake

Email: info@electriceel.com

Website: www.electriceel.com

WARNING

GENERAL SAFETY – ROTATING CABLES AND EQUIPMENT



DANGER!!!

TO PREVENT SERIOUS BODILY INJURY AND TO AVOID DANGER FROM ROTATING CABLES AND EQUIPMENT:

1. **USE CAUTION AT ALL TIMES.** Cable can twist or kink and cause serious injury. Fingers or other body parts can be caught in rotating parts.
2. **NEVER** handle any cable under tension. Relieve all tension build up before attempting to handle cable.
3. **DO NOT** continue to operate machine when cleaning tool becomes stuck in an obstruction. **Excess torque on a cable could cause it to fracture.**
4. **NEVER** force a tool and cable into a pipeline blockage.
5. **ALWAYS** wear **HEAVY** leather gloves and safety glasses when operating machine.
6. Use correct tool for the job or applicaton. Check the tool listing for the correct tool and line size.
7. To maintain safe and efficient operation, thoroughly clean all cables with water after use. Acids in the drain and sewer lines attack and deteriorate the metal of the cables and tools.



Customer Safety and Operation Guide

Electric Eel®

Electric Eel Model K
50 Ft. Manual Snake

Email: info@electriceel.com

Website: www.electriceel.com

Tool Application: Clears 1-1/4" through 3" diameter drain lines up to 50 Ft.
Kitchen sinks, laundry tubs, down spouts.



Standard Tools Included with the Model K Kit:

1. **DN-10** General purpose tool
2. **DN-11** Drill point tool
3. **DN-12** Finishing/Grease tool



Customer Safety and Operation Guide

Electric Eel®

Electric Eel Model K
50 Ft. Manual Snake

Email: info@electriceel.com

Website: www.electriceel.com

Follow the steps below to operate the tool

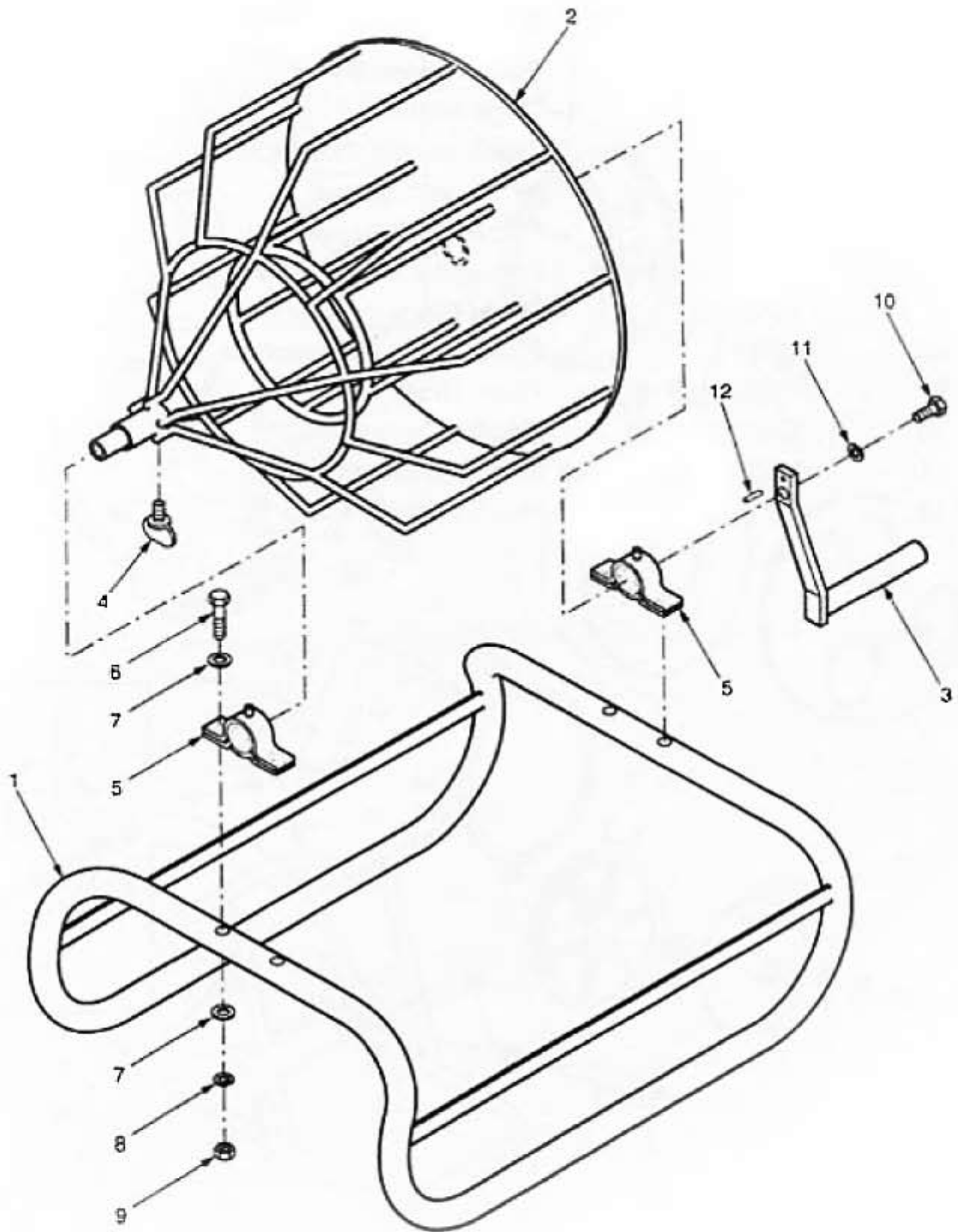
Step	Action
1	Place unit within 3 feet of drain opening.
2	Attach spear head tool to the cable with set screw and allen wrench.
3	Loosen chuck by turning thumbscrew counterclockwise.
4	Pull out approximately 12" – 16" of cable and insert into drain line.
5	Turn crank handle on unit clockwise until exposed cable has entered drain line.
6	Repeat steps 4 and 5 until obstruction has been cleared.
7	If possible, keep water running through drain line to help flush out debris.
8	Hand feed cable back into unit.

OPERATOR'S MANUAL and MORE INFORMATION AVAILABLE AT:

Website: www.electriceel.com

Toll-Free: 800-833-1212

MODEL K DRAIN CLEANING MACHINE



MODEL K – 50' MANUAL

The Model K 50' manual unit utilizes the same 1/2" diameter cable and same tools as the 50' Electric Model E.

MAINTENANCE

- Clean and lubricate cable after each rental
- Oil pillow block periodically

V. HOW TO REPLACE FP-1A FOOT PEDAL AND HOSE ASSEMBLY

1. Remove old clamp from hose at the TBS3218 air switch connection
2. Remove old hose from TBS3218 air switch
3. Slide new clamp onto the new FP-1A foot pedal hose assembly
4. Slide new hose onto the TBS3218 air switch
5. Pinch clamp into TBS3218 air switch

MODEL K DRAIN CLEANING MACHINE

ITEM NUMBER	PART NUMBER	DESCRIPTION	AMT
1	K-1A	Frame Assembly	1
2	K-2A	Cage Assembly	1
3	K-6A	Crank Handle Assembly.	1
4	TX-3/8	3/8" Thumb Screw	1
5	BB816-A	Pillow Block Assembly	2
6	CSHH51618134	Pillow Block Capscrews	4
7	WA516S	Pillow Block Washers.	8
8	LW516	Pillow Block Lockwashers	4
9	NU51618FHP	Pillow Block Nuts.	4
10	CSHH381658	Handle Capscrew	1
11	LW38	Handle Lockwasher	1
12	SP1478	Handle Drive Pin	1