

## DM 230

Reservdelar

Spare parts

Ersatzteile

Pieces de rechange

Piezas de repuesto

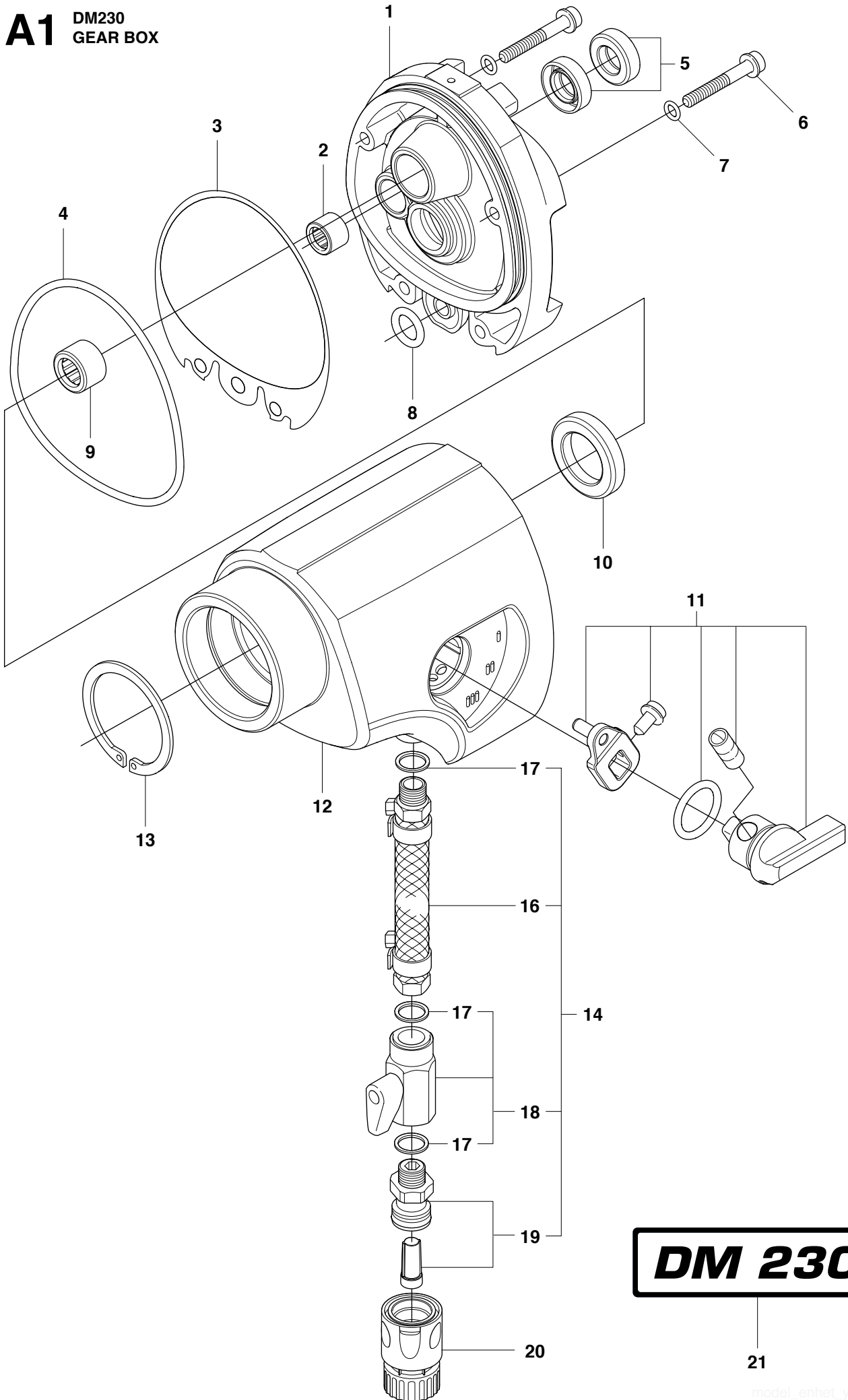
Ricambi

Peças sobresselente



No.	Pos.	Description	No.	Pos.	Description
501 00 83-01	B1	SEALING	544 12 46-01	A2	GEAR WHEEL
501 00 84-01	B1	SPRING WASHER	544 12 48-01	A2	GEAR WHEEL
502 29 45-01	E	CARRYING CASE	544 12 50-01	A1	COVER
502 30 44-02	A1	HOSE KIT	544 12 56-01	C1	SPRING
502 63 49-01	C1	LABEL	544 12 95-01	C1	TRIGGER
502 63 49-02	C1	LABEL	544 13 12-01	C1	LEVER
502 63 50-01	C1	LABEL	544 13 14-01	C1	BUTTON
502 63 53-01	C1	LABEL	544 23 12-01	B2	LEVELL
502 63 54-01	A1	LABEL	544 23 13-01	B2	LEVELL
503 20 07-74	C2	SCREW	575 55 79-01	A1	RADIAL SEAL
503 20 07-78	B2	SCREW	575 98 49-01	B1	BALL BEARING
503 20 07-82	B2	SCREW	576 13 93-01	B2	STATOR
503 20 74-40	A1	SCREW	576 13 93-02	B2	STATOR
503 23 04-02	B2	LOCK WASHER	577 41 18-01	C2	CABLE SLEEVE
503 25 42-01	A1	NEEDLE BEARING	579 47 13-01	C3	CABLE ASSY
503 25 53-01	A1	NEEDLE BEARING	724 12 87-01	B2,C2	SCREW
503 26 30-03	B1	O-RING	724 12 91-01	B2	SCREW
503 26 30-29	B1	O-RING	725 25 18-51	D	SCREW
503 26 30-30	A1	O-RING	725 53 39-55	B2	SCREW
503 26 30-31	A1	O-RING	725 53 47-55	B2	SCREW
503 26 60-03	A1	COUPLER	725 53 49-55	C2	SCREW
503 26 60-04	A1	COUPLER	734 11 36-01	C2	WASHER
504 02 28-01	D	CLAMPING SLEEVE	734 11 72-01	D	WASHER
504 02 34-01	D	NUT	735 11 36-50	B2	SPRING WASHER
504 02 77-01	D	WASHER RUBBER	735 21 36-01	C2	LOCK WASHER
504 04 47-01	D	FRONT HANDLE ASSY	735 31 16-00	A2	CIRCLIP
504 09 87-01	D	BRACKET ASSY	735 31 26-00	A2	RETAINING RING
504 57 11-02	A2	GEAR WHEEL ASSY	735 31 28-10	B1	CIRCLIP
504 57 13-01	C1	JOINTING CABLE	735 31 40-10	A1	CIRCLIP
504 57 13-02	C1	JOINTING CABLE	738 21 05-14	A2	BALL BEARING
504 57 17-01	D	GRIP ASSY	738 22 99-27	A2	BALL BEARING
505 41 22-01	A2	LOCK RING	740 42 03-00	A1	O-RING
505 44 11-01	C1	HANDLE ASSY	740 43 11-00	B1	O-RING
505 44 13-01	C2	HAND ASSY GUARD			
505 44 33-01	C3	CABLE ASSY			
505 57 63-01	B2	MOTOR HOUSING ASSY			
505 57 65-01	B1	ROTOR ASSY BEARING			
505 57 66-01	B1	ROTOR ASSY BEARING			
506 22 58-03	B2	CARBON BRUSH			
510 11 20-01	A1	NIPPLE KIT			
510 12 59-02	A1	HOSE ASSY			
510 18 04-01	A1	SEALING			
510 18 13-01	C3	CABLE ASSY			
510 19 59-01	A1	VALVE KIT			
510 44 09-01	B1	GASKET			
521 90 72-01	C3	CABLE ASSY			
521 90 74-01	C3	CABLE ASSY			
521 91 90-01	C3	CABLE ASSY			
522 90 02-01	B2	BRUSH HOLDER			
525 29 55-01	A2	KIT COMPLETE CLUTCH			
525 33 97-01	A1	ALUMINIUM GASKET			
525 40 14-01	A1	LEVER ASSY			
525 40 20-01	A2	KIT WEAR PARTS			
525 40 21-01	A2	SPINDLE AXLE			
525 40 22-01	A2	SPINDLE AXLE			
525 40 23-01	B2	REAR COVER			
525 45 44-01	A1	SEALING			
525 47 63-01	B2,C1	SCREW			
525 47 63-02	B1,C1	SCREW			
531 07 42-60	A1	FIBRE WASHER			
531 14 09-51	E	SPANNER 24			
531 14 09-52	E	SPANNER 32			
544 11 20-01	A1	GEAR HOUSING			
544 12 29-01	B1	AIR CONDUCTOR			
544 12 30-01	B1	BEARING SUPPORT			
544 12 32-01	C1	CABLE CLAMP			
544 12 34-01	B2	PRINTED CIRCUIT ASSY			
544 12 34-02	B2	PRINTED CIRCUIT ASSY			
544 12 43-01	B1	COVER			
544 12 44-01	A2	GEAR WHEEL			

**A1** DM230  
GEAR BOX



**DM 230**

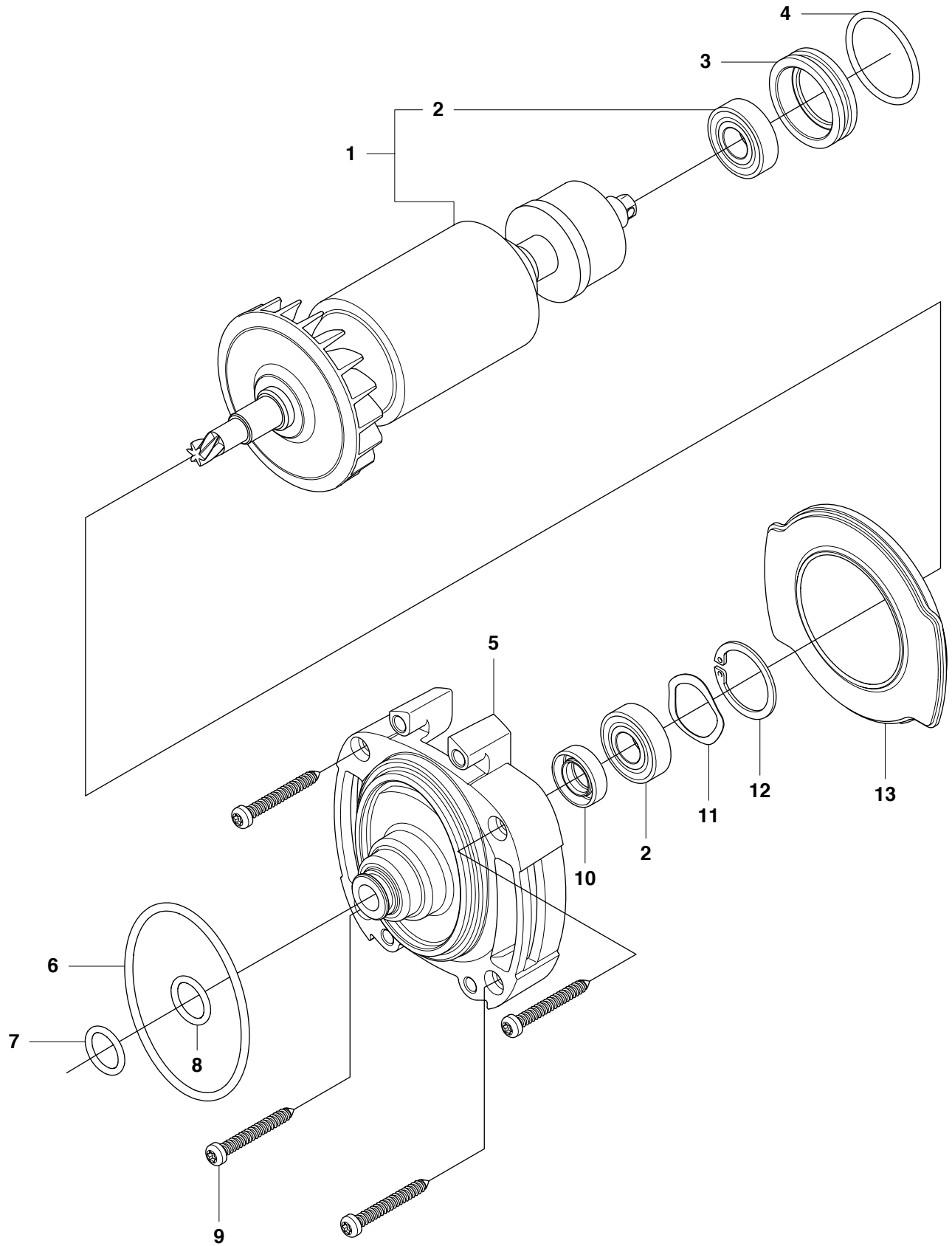
21

Position	Article	Description	Quantity	Notes	Kit
1	544 12 50-01	COVER	1		
2	503 25 42-01	NEEDLE BEARING	1		
3	510 18 04-01	SEALING	1		
4	503 26 30-30	O-RING	1		
5	525 45 44-01	SEALING	2		
6	503 20 74-40	SCREW	2		
7	740 42 03-00	O-RING	2		
8	503 26 30-31	O-RING	1		
9	503 25 53-01	NEEDLE BEARING	1		
10	575 55 79-01	RADIAL SEAL	1		
11	525 40 14-01	LEVER ASSY	1		
12	544 11 20-01	GEAR HOUSING	1		
13	735 31 40-10	CIRCLIP	1		
14	502 30 44-02	HOSE KIT	1		
15	525 33 97-01	ALUMINIUM GASKET	1		14
16	510 12 59-02	HOSE ASSY	1		14
17	531 07 42-60	FIBRE WASHER	2		14,18
18	510 19 59-01	VALVE KIT	1		14
19	510 11 20-01	NIPPLE KIT	1		14
20a	503 26 60-03	COUPLER	1	USA/CANADA	
20b	503 26 60-04	COUPLER	1		
21	502 63 54-01	LABEL	1		



Position	Article	Description	Quantity	Notes	Kit
1	525 29 55-01	KIT COMPLETE CLUTCH	1		
2	525 40 20-01	KIT WEAR PARTS	1		
3	504 57 11-02	GEAR WHEEL ASSY	1		1
4	738 22 99-27	BALL BEARING	1		
5	735 31 16-00	CIRCLIP	1		
6	544 12 44-01	GEAR WHEEL	1		
7	544 12 46-01	GEAR WHEEL	1		
8	505 41 22-01	LOCK RING	1		
9	544 12 48-01	GEAR WHEEL	1		
10	735 31 26-00	RETAINING RING	1		
11	738 21 05-14	BALL BEARING	1		
12a	525 40 21-01	SPINDLE AXLE	1	1/2"	
12b	525 40 22-01	SPINDLE AXLE	1	5/8"	

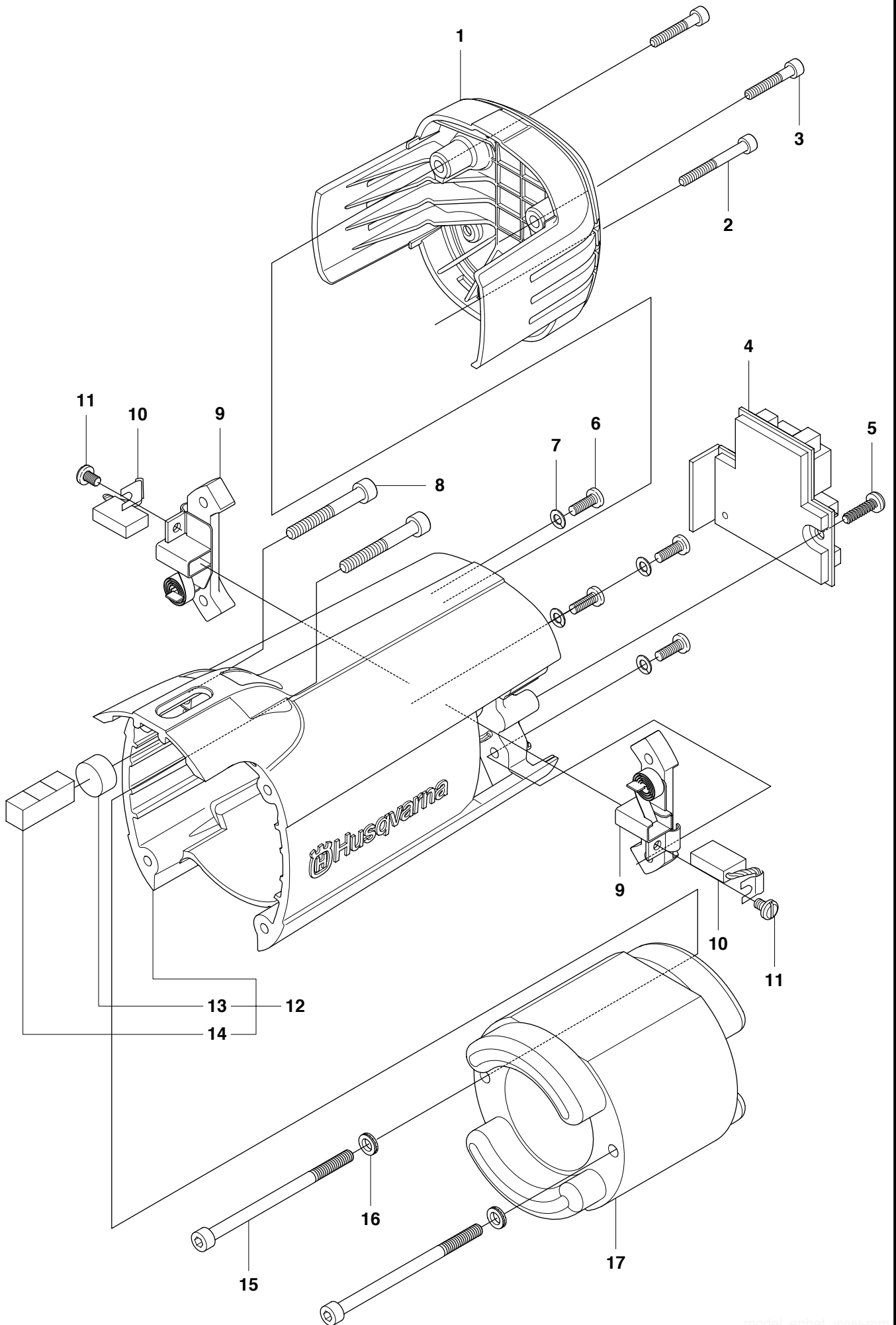
**B1** DM230  
MOTOR





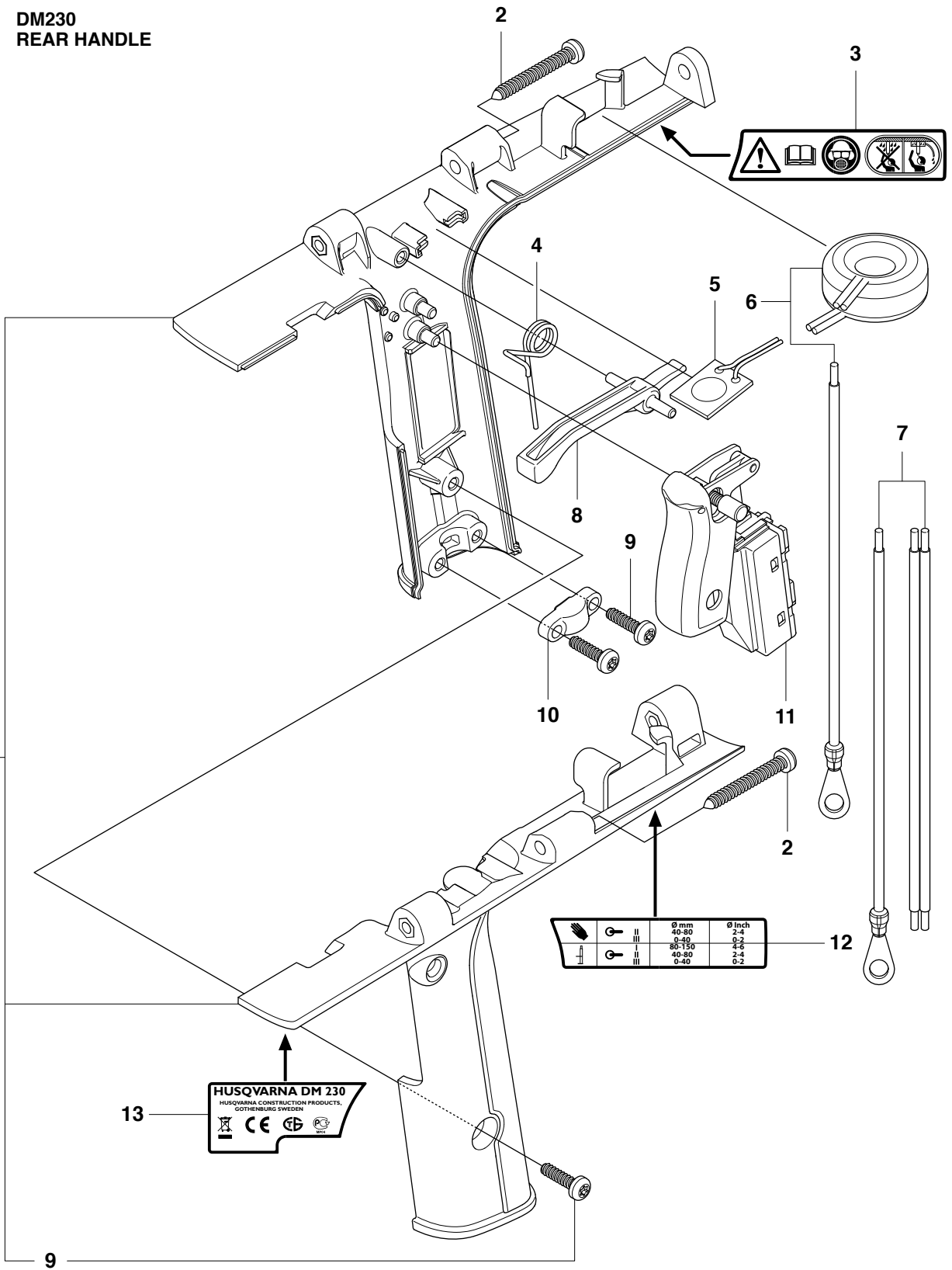
Position	Article	Description	Quantity	Notes	Kit
1a	505 57 65-01	ROTOR ASSY BEARING	1	120V	
1b	505 57 66-01	ROTOR ASSY BEARING	1	230V	
2	575 98 49-01	BALL BEARING	2		1
3	544 12 30-01	BEARING SUPPORT	1		
4	503 26 30-03	O-RING	1		
5	544 12 43-01	COVER	1		
6	503 26 30-29	O-RING	1		
7	740 43 11-00	O-RING	1		
8	510 44 09-01	GASKET	1		
9	525 47 63-02	SCREW	4		
10	501 00 83-01	SEALING	1		
11	501 00 84-01	SPRING WASHER	1		
12	735 31 28-10	CIRCLIP	1		
13	544 12 29-01	AIR CONDUCTOR	1		

**B2** DM230  
MOTOR



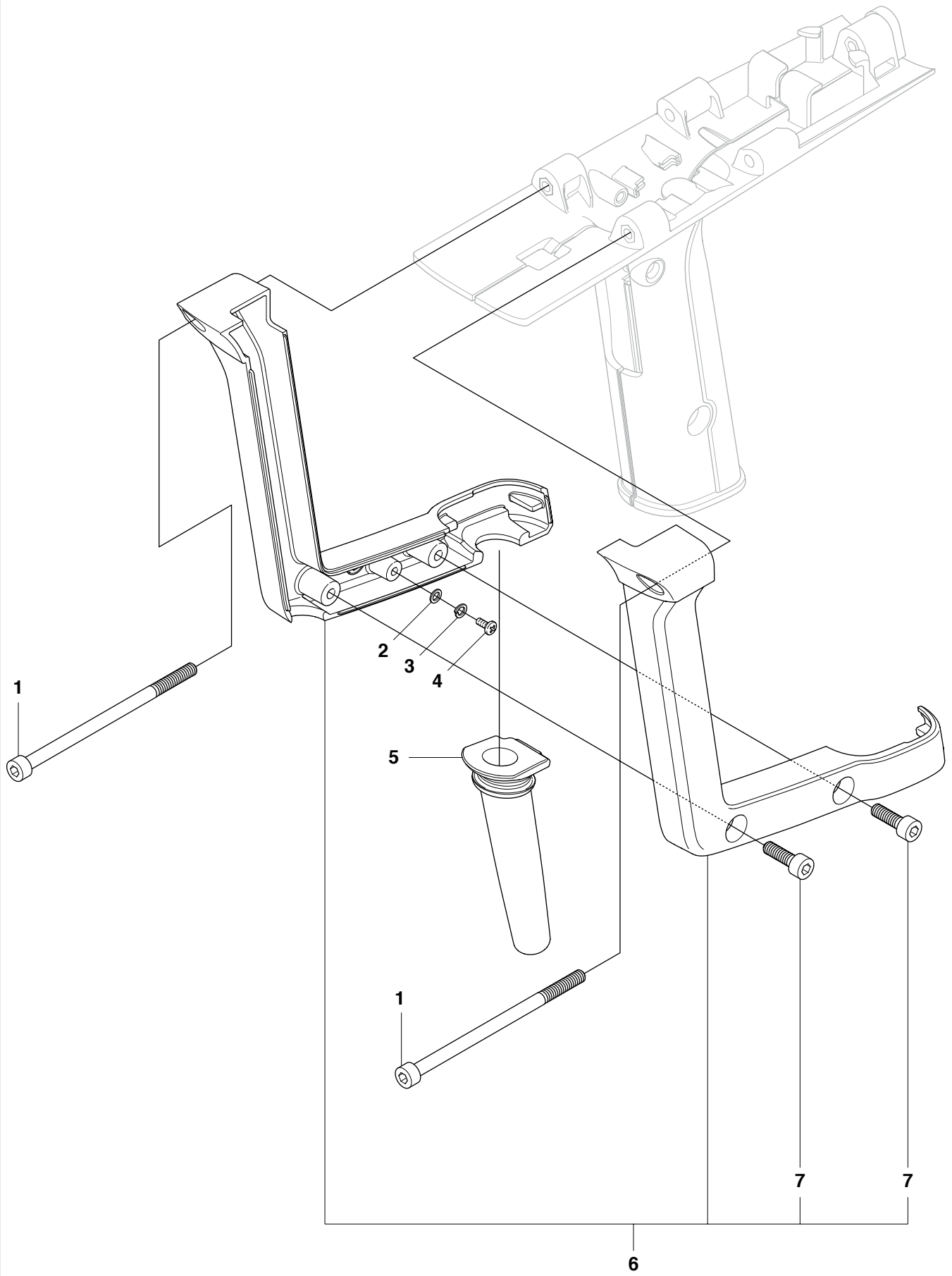
Position	Article	Description	Quantity	Notes	Kit
1	525 40 23-01	REAR COVER	1		
2	503 20 07-82	SCREW	1		
3	503 20 07-78	SCREW	2		
4a	544 12 34-02	PRINTED CIRCUIT ASSY	1	120V	
4b	544 12 34-01	PRINTED CIRCUIT ASSY	1	230V	
5	525 47 63-01	SCREW	1		
6	724 12 91-01	SCREW	4		
7	735 11 36-50	SPRING WASHER	4		
8	725 53 39-55	SCREW	2		
9	522 90 02-01	BRUSH HOLDER	2		
10	506 22 58-03	CARBON BRUSH	2		
11	724 12 87-01	SCREW	2		
12	505 57 63-01	MOTOR HOUSING ASSY	1		
13	544 23 13-01	LEVELL	1		13
14	544 23 12-01	LEVELL	1		13
15	725 53 47-55	SCREW	2		
16	503 23 04-02	LOCK WASHER	2		
17a	576 13 93-01	STATOR	1	120V	
17b	576 13 93-02	STATOR	1	230V	

# C1 DM230 REAR HANDLE



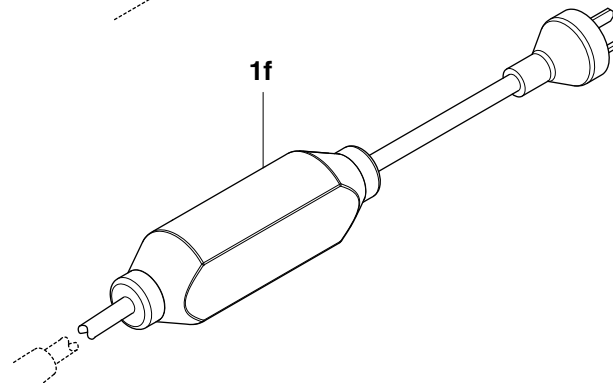
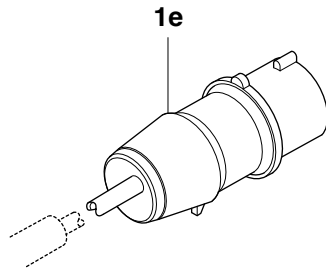
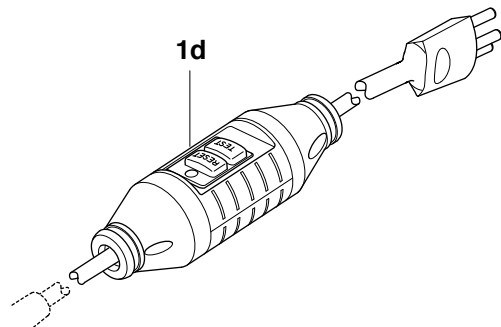
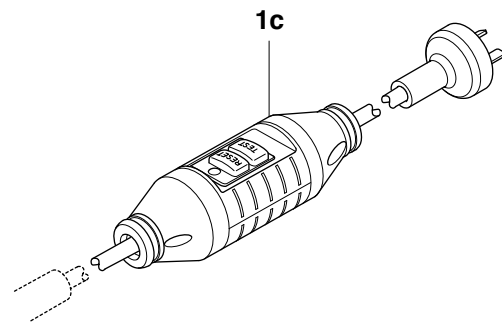
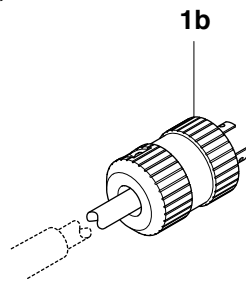
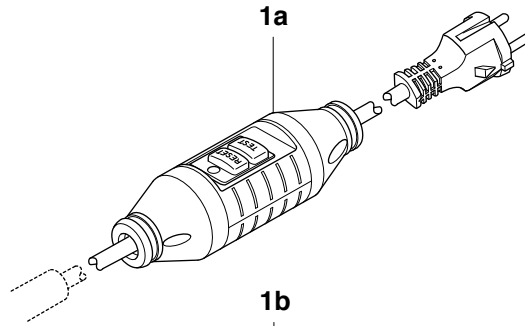
Position	Article	Description	Quantity	Notes	Kit
1	505 44 11-01	HANDLE ASSY	1		
2	525 47 63-02	SCREW	2		
3	502 63 53-01	LABEL	1		
4	544 12 56-01	SPRING	1		
5	544 13 14-01	BUTTON	1		
6	504 57 13-02	JOINTING CABLE	1	120V	
7	504 57 13-01	JOINTING CABLE	1	230V	
8	544 13 12-01	LEVER	1		
9	525 47 63-01	SCREW	3		1
10	544 12 32-01	CABLE CLAMP	1		
11	544 12 95-01	TRIGGER	1		
12	502 63 50-01	LABEL	1		
13a	502 63 49-01	LABEL	1		
13b	502 63 49-02	LABEL	1	CHINA	

**C2** DM230  
REAR HANDLE



Position	Article	Description	Quantity	Notes	Kit
1	725 53 49-55	SCREW	2		
2	734 11 36-01	WASHER	1		
3	735 21 36-01	LOCK WASHER	1		
4	724 12 87-01	SCREW	1		
5	577 41 18-01	CABLE SLEEVE	1		
6	505 44 13-01	HAND ASSY GUARD	1		
7	503 20 07-74	SCREW	2		6

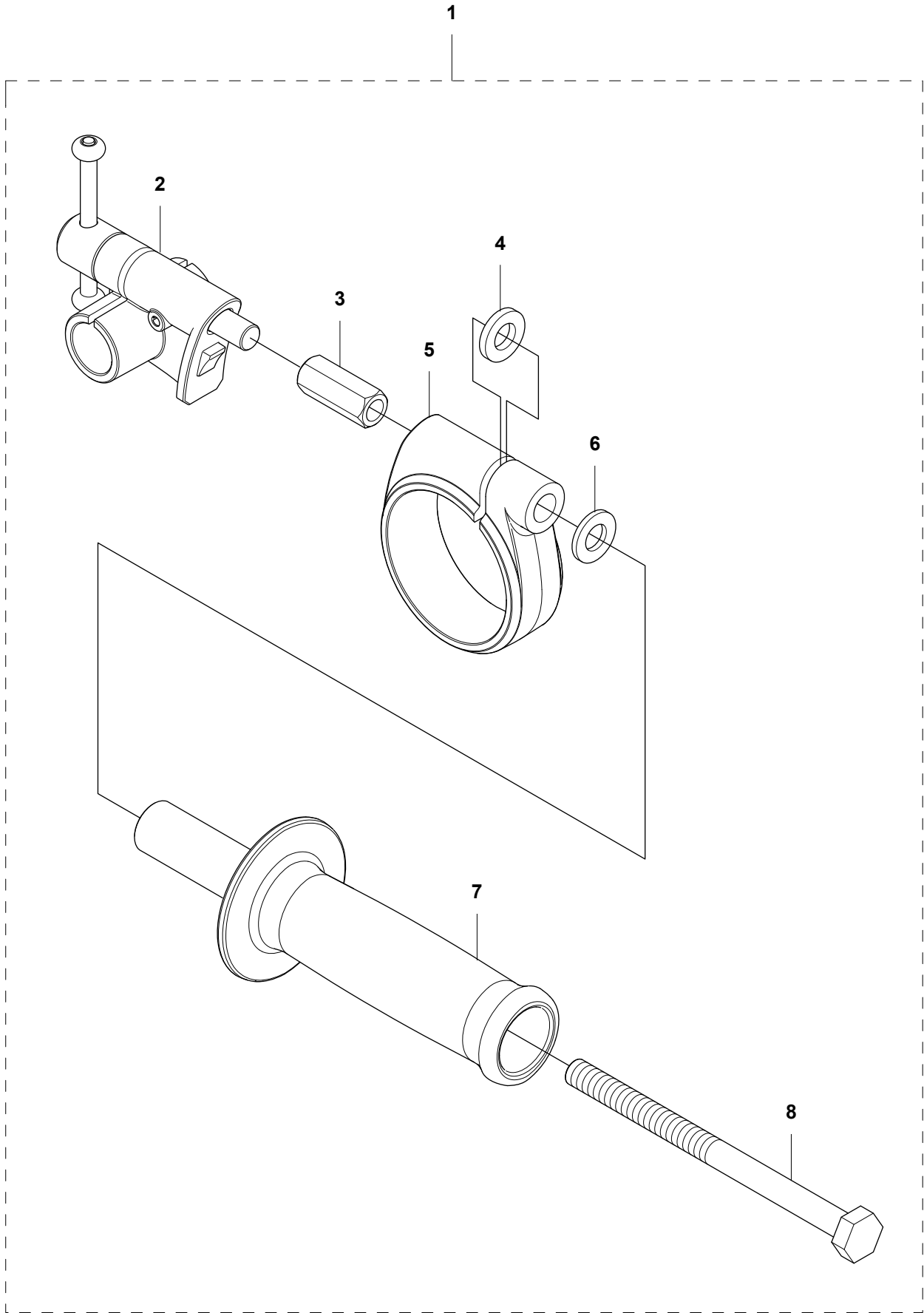
**C3** DM230  
POWER CABLE





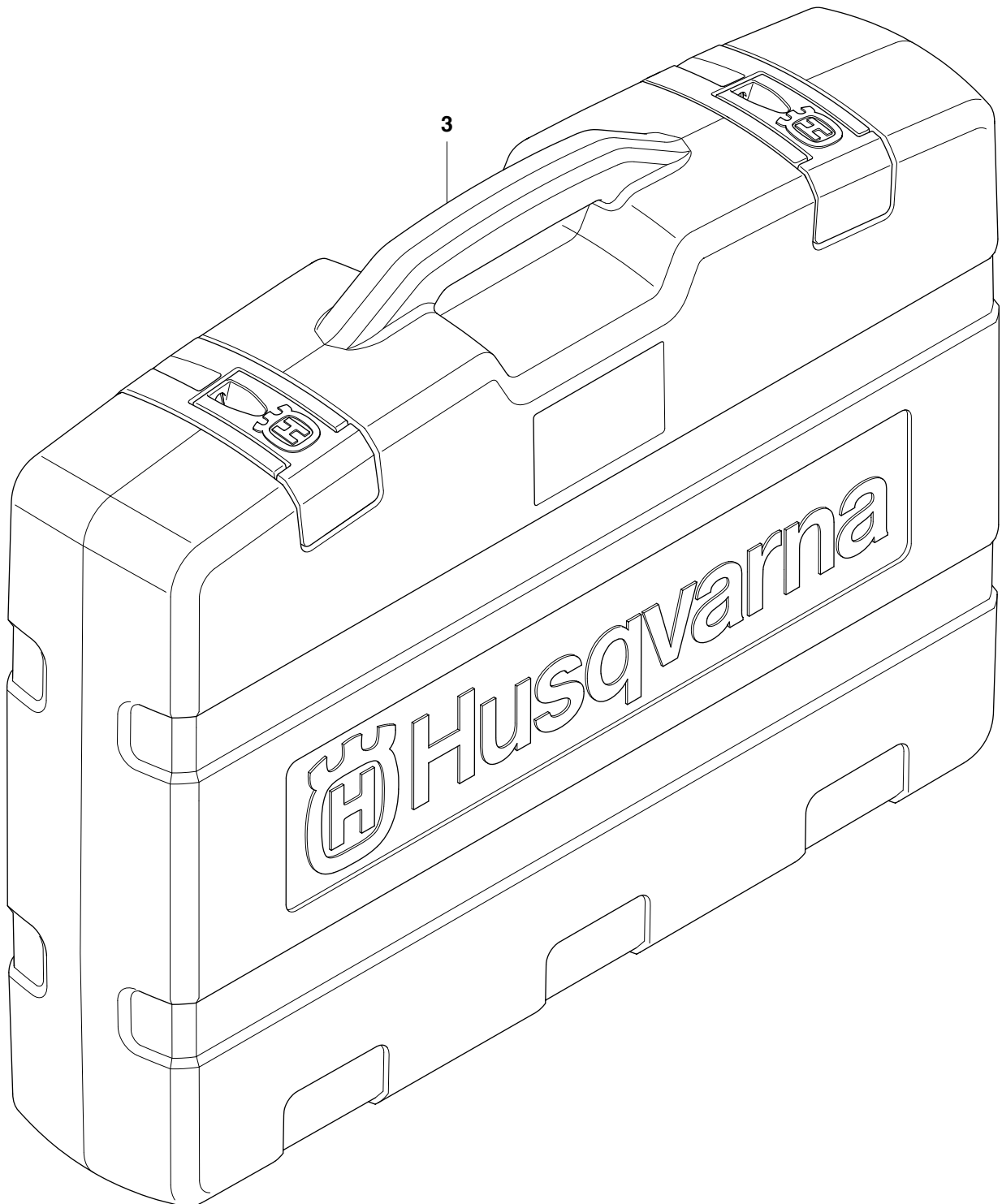
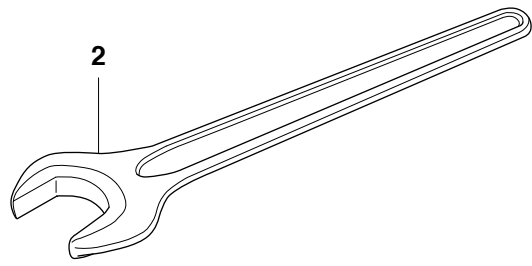
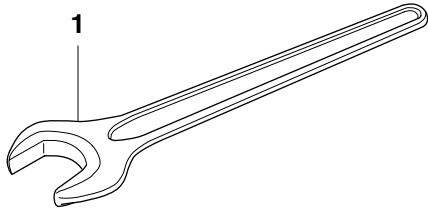
Position	Article	Description	Quantity	Notes	Kit
1a	505 44 33-01	CABLE ASSY	1	230V, EU	
1b	510 18 13-01	CABLE ASSY	1	120V, US	
1c	521 90 72-01	CABLE ASSY	1	230V, AUS	
1d	521 90 74-01	CABLE ASSY	1	230V, CH	
1e	521 91 90-01	CABLE ASSY	1	230V, UK	
1f	579 47 13-01	CABLE ASSY	1	230V, CHINA	

**D** DM230  
FRONT HANDLE



Position	Article	Description	Quantity	Notes	Kit
1	504 04 47-01	FRONT HANDLE ASSY	1		
2	504 09 87-01	BRACKET ASSY	1		1
3	504 02 34-01	NUT	1		1
4	504 02 77-01	WASHER RUBBER	1		1
5	504 02 28-01	CLAMPING SLEEVE	1		1
6	734 11 72-01	WASHER	1		1
7	504 57 17-01	GRIP ASSY	1		1
8	725 25 18-51	SCREW	1		1

**E** DM230  
ACCESSORIES



Position	Article	Description	Quantity	Notes	Kit
1	531 14 09-51	SPANNER 24	1	24 mm	
2	531 14 09-52	SPANNER 32	1	32 mm	
3	502 29 45-01	CARRYING CASE	1		