

TECHNICAL MANUAL

Safety, Operation, Parts, Maintenance, Service

LAWNNAIRE[®] IV

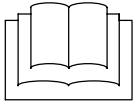
MODELS 544908, 544909

LAWNNAIRE[®] V

MODELS 544910, 544911

1 GENERAL INFORMATION

1.1 GENERAL INFORMATION



IMPORTANT!

THIS MANUAL WILL AID YOU IN THE SAFE OPERATION AND PROPER MAINTENANCE OF YOUR EQUIPMENT. READ MANUAL THOROUGHLY BEFORE ATTEMPTING OPERATION. IF ANY PORTION IS NOT CLEARLY UNDERSTOOD, CONTACT AN AUTHORIZED DEALER FOR CLARIFICATION.

To make sure you are fully aware of safety and service information, the following two symbols are used throughout this manual.



This symbol is used throughout the manual to alert you to information about unsafe actions or situations, and will be followed by the word DANGER, WARNING, or CAUTION. DANGER indicates immediate hazards that may result in severe injury or death. WARNING indicates unsafe actions or situations that may cause severe injury, death and/or major equipment or property damage. CAUTION indicates unsafe actions or situations that may cause injury, and/or minor equipment or property damage.

NOTE: This appears next to information or instructions which will help you operate and maintain your equipment the right way.



WARNING

The information and instructions included in this manual alert you to certain things you should do very carefully. If you do not, you could:

- hurt yourself or others
- hurt the next person who operates the equipment
- damage the equipment.

This manual contains essential operation and safety information and must remain with the unit at all times, within easy access of any operator.

Additional manuals are available through your dealer.

IMPORTANT!

THIS EQUIPMENT SHOULD NOT BE MODIFIED OR ADDED TO WITHOUT THE MANUFACTURER'S AUTHORIZATION.



WARNING

Altering this equipment in any manner which adversely affects the equipments operation, performance, durability or use, may cause hazardous conditions.

Direct any inquiries to:

Textron Golf, Turf and Specialty Products
Attn: Director of Engineering Services
P.O. Box 82409
Lincoln, NE 68501-2409 USA

SPECIFICATION INFORMATION

All information contained in this manual is the latest available at the time of printing. Textron Golf, Turf and Specialty Products reserves the right to make changes at any time without notice.

Whenever a name brand product is specified, an equivalent product may be used unless stated otherwise.

CHANGE OF OWNERSHIP OR ADDRESS

Textron Golf, Turf and Specialty Products makes every effort to keep owners informed of all safety related information. Therefore, changes in ownership and/or address should be reported to the manufacturer.

Your dealer has REGISTRATION CHANGE FORMS which will be filled out and filed by the dealer for his records, and a copy will be sent to the manufacturer.

DEALER INFORMATION

For your nearest dealer location write to:

Textron Golf, Turf and Specialty Products
Attn: Sales Coordinator
P.O. Box 82409
Lincoln, NE 68501-2409 USA

In the USA and Canada call 1-888-922-8873 (dealer information only).

TABLE OF CONTENTS

1—GENERAL INFORMATION	Inside Front Cover
2—IDENTIFICATION	2
3—SPECIFICATIONS	2
3.1—Lawnaire IV	2
3.2—Lawnaire V	3
4—OPERATION AND SAFETY DECALS	4
5—SETUP	6
5.1—Unpacking The Aerator	6
5.2—Checking The Clutch Cable	6
5.3—Checking The Throttle Cable	7
5.4—Initial Belt Seating And Adjustment	8
6—CONTROLS	9
6.1—Handle Controls	9
6.2—Engine Controls	9
7—OPERATION	11
7.1—Pre-operation Check	11
7.2—Aerating	11
8—SERVICE	12
8.1—Touch Up Paint	12
9—STORAGE INSTRUCTIONS	13
10—TRANSPORTING	14
11—TORQUE CHART	15
12—ILLUSTRATED PARTS	17
12.1—Lawnaire IV Drum Group	18
12.2—Lawnaire IV Tine Wheel Group	19
12.3—Lawnaire IV Handle Group	20
12.4—Lawnaire IV Frame Group	22
12.5—Lawnaire IV Main Group	24
12.6—Lawnaire V Drum Group	26
12.7—Lawnaire V Tine Wheel Group	28
12.8—Lawnaire V Handle Group	30
12.9—Lawnaire V Frame Group	32
12.10—Lawnaire V Main Group	34
12.11—Lawnaire IV Decal Group	36
12.12—Lawnaire V Decal Group	37

2 IDENTIFICATION

2 IDENTIFICATION

The unit model and serial numbers are printed on the Nameplate/Identification decal located on the left side of the aerator frame. See Figure 1.



Figure 1

3 SPECIFICATIONS

Both the Lawnaire IV and V models are available with a Briggs & Stratton engine or a Honda engine. All other specifications are identical for each model in the same product line.

3.1 LAWNAIRE IV

Dimensions:

Width 28" (711 mm)
Length 52.5" (1295 mm)
Length (handle folded) 46" (1168 mm)
Height (transport) 47.5" (1206 mm)
Height (handle folded) 30" (762 mm)

Net Weight:

Dry, w/o acc. weight 200 lbs. (91 Kg)
Dry, w/ acc. weight 240 lbs. (109 Kg)
With water tank full
and acc. weight 280 lbs. (127 Kg)

Speed:

Transport up to 320 f.p.m. (97.5 M.p.m.)
Aerate up to 305 f.p.m. (93 M.p.m.)

Engines:

Model 544908

Honda, 4.0 h.p., 4 cycle
Model GX120K1HX
Starter Recoil, on/off switch
Governor 3600 RPM, no load
Idle Speed 1400 ± 100 RPM
Fuel Tank66 gal. (2.5 L)
Gear Reduction 6 to 1

Model 544909

Briggs & Stratton 3.5 h.p., 4 cycle
Model #093452, Type 0141, Trim .01
Starter Recoil, on/off switch
Governor 3200 RPM ± 100 RPM, no load
Idle Speed 2000 RPM
Fuel Tank 4 qt. (3.8 L)
Gear Reduction 6 to 1

Drive:

Primary V Belt, 4L section
Secondary #40 plated roller chain

Wheels:

Front 11" (279 mm) Dia. water tank
5.2 gal. (19.7 L) max. capacity
Rear 8 x 2.50 semi-pneumatic tires
with 3/4" ball bearings

Aeration:

Tines 3/4" (19 mm) formed from .08" hardened
chrome molybdenum alloy steel, 30 per unit
Penetration Depth 2 3/4" (70 mm) max.
Swath Width 19" (483 mm)
Hole Pattern ... 3 3/4" x 7" (95 x 178 mm) on center
Production Up to 28,975 sq. ft. / hour

3.2 —————LAWNAIRE V

Dimensions:

Width 35.5" (902 mm)
Length 52.5" (1333.5 mm)
Length (handle folded) 46.0" (1168 mm)
Height (transport) 47.5" (1206 mm)

Net Weight:

Dry, w/o acc. weight 228 lbs. (103 Kg)
Dry, w/ acc. weight 266 lbs. (122 Kg)
With water tank full
and acc. weight 330 lbs. (149 Kg)

Speed:

Transport up to 320 f.p.m. (97.5 M.p.m.)
Aerate up to 305 f.p.m. (93 M.p.m.)

Engines:

Model 544910

Honda, 4.0 h.p., 4 cycle
Model GX120K1HX
Starter Recoil, on/off switch
Governor 3600 RPM, no load
Idle Speed 1400 ± 100 RPM
Fuel Tank66 gal. (2.5 L)
Gear Reduction 6 to 1

Model 544911

Briggs & Stratton 3.5 h.p., 4 cycle
Model #093452, Type 0141, Trim .01
Starter Recoil, on/off switch
Governor 3200 RPM ± 100 RPM, no load
Idle Speed 2000 RPM
Fuel Tank 4 qt. (3.8 L)
Gear Reduction 6 to 1

Drive:

Primary V Belt, 4L section
Secondary #40 plated roller chain

Wheels:

Front 11" (279 mm) Dia. water tank
7.9 gal. (29.9 L) max. capacity
Rear 8 x 2.50 semi-pneumatic tires
and 3/4" ball bearings

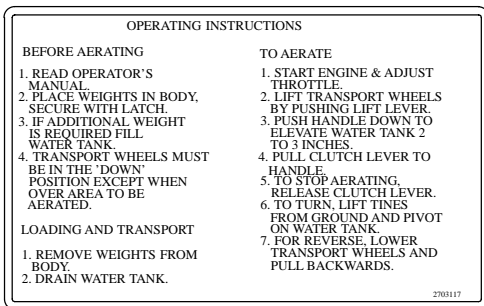
Aeration:

Tines 3/4" (19mm) formed from .08" hardened
chrome molybdenum alloy steel, 42 per unit
Penetration Depth 2 3/4" (70 mm) max.
Swath Width 26 1/2" (673 mm)
Hole Pattern ... 3 3/4" x 7" (95 x 178 mm) on center
Production Up to 40,400 sq. ft. / hour

4 OPERATION AND SAFETY DECALS

4—OPERATION AND SAFETY DECALS

Following are the Operational and Safety decals that appear on the Lawnaire IV and Lawnaire V aerators. Familiarize yourself with these as it is important to be aware of their presence and their meaning.



Operating Instructions

This decal can be found on top of the handle bar assembly. It lists steps required prior to aerating and instructions for loading and transporting and aerating.



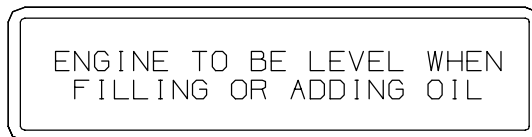
Handle Warning – LawnAire IV Only

This decal is found on the lower end of the handle bars. It informs the operator that the folding handle bars need to be securely locked in place prior to aerating.



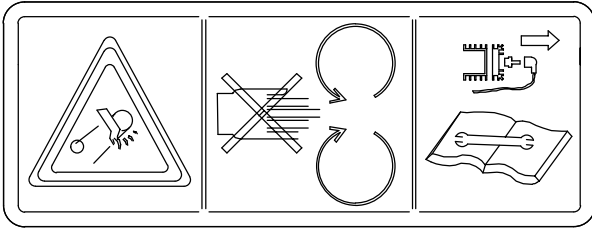
Throttle Control

This decal is found on the handle bar next to the engine throttle control. It tells the operator which direction to move the engine throttle for the desired engine speed. The throttle control decal uses the turtle to represent slower engine speeds; the rabbit represents faster engine speeds.



Engine Oil Level

This decal is located on the main frame, in front of the engine. It tells the operator to have the engine level prior to checking the oil level.



WARNING HANDS IN MOVING COMPONENTS

This decal is located on the main frame and provides the operator with three message warnings:

- (1) The symbol on the left shows the possible result of working on machinery with safety shields removed. Hands and fingers may become entangled in belts. **DO NOT** operate the unit without safety shields in place.
- (2) The center symbols warn the operator and/or bystanders to keep hands out of moving components.
- (3) The symbols on the right instruct the operator to read the service section of the operator's manual. Disable the spark plug wire before performing any service or maintenance on the unit.



DANGER HANDS AND FEET

This decal is located on the main frame and informs the operator of areas which are capable of serious injury.

The symbol shows fingers being cut or severed. **DO NOT** place hands, feet, fingers or toes under aerator while operating the unit.

5 SETUP

5 ————— SETUP

Unless otherwise noted, the information in the following sections applies to both Lawnaire IV and V models.

5.1 ————— UNPACKING THE AERATOR

Unpacking the aerator entails securing the handle and rolling the unit off the shipping pallet.



WARNING

Banding is under tension and may snap back when cut. Wear eye protection and stay clear when cutting the band.

FOR ALL MODELS

1. Cut the banding securing the aerator to the pallet.
2. Unfold the handle by pulling on the transport lift handle. See Figure 2.



Figure 2

1. Transport Lift Handle

FOR LAWNNAIRE V MODELS

1. Bolt the handle in place, as shown in Figure 3.



Figure 3

2. Pull up on the transport lift handle to raise the aerator to the transport position. See Figure 8. Carefully roll the unit off the pallet.

FOR LAWNNAIRE IV MODELS

1. Flip the handle locking knobs up into position over the handle bracket and tighten. **HAND TIGHTEN ONLY!** See Figure 4.

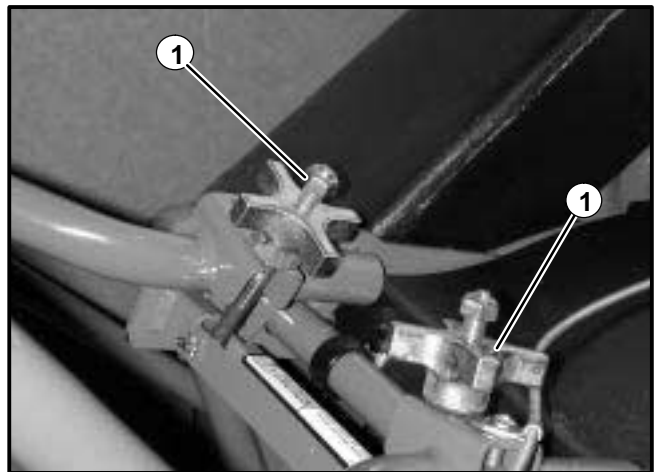


Figure 4

1. Handle Locking Knobs

2. Pull up on the transport lift handle to raise the aerator to the transport position. See Figure 8. Carefully roll the unit off the pallet.

NOTE: If the folding handle will not be used, bolt the handle in place. See instructions in the preceding section, *For Lawnaire V Models*.

5.2 ————— CHECKING THE CLUTCH CABLE

The clutch cable is adjusted prior to shipping; however, it should be checked before the unit is put into service.

1. Pull the clutch control handle back and down and make sure the idler engages the belt. See Figure 5.
2. Release the clutch control handle and make sure the belt disengages completely.
3. If adjustment is necessary, loosen the nut on the clutch spring hardware and adjust its position in the slot of the clutch lever. See Figure 5.

NOTE: Spring extension should not exceed .25 inch.

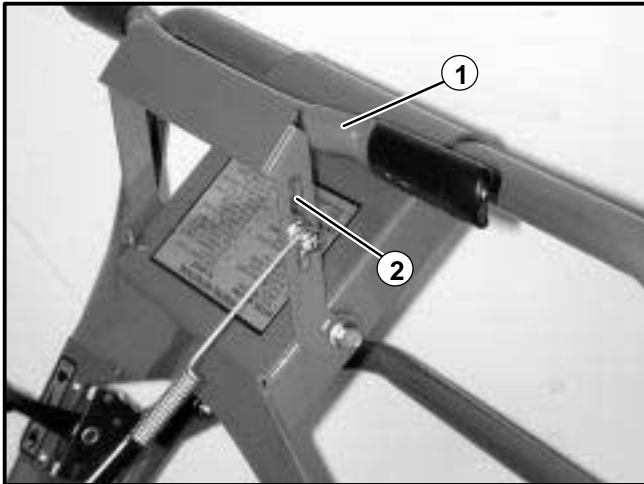


Figure 5
1. Clutch Control Handle
2. Adjustment Slot

5.3—CHECKING THE THROTTLE CABLE

The throttle cable is adjusted prior to shipping; however, it should be checked before the unit is put into service. The throttle control should freely move in a full range of motion forward and backward. If necessary, the throttle cable can be adjusted as follows:

FOR MODELS WITH BRIGGS & STRATTON ENGINE

Refer to the following steps and Figure 6.

1. Loosen the throttle lever friction wing nut to allow free movement of the throttle control.
2. Loosen the casing clamp screw on the control plate.
3. Push the throttle lever all the way forward.
4. Push the throttle cable sleeve up through the cable clamp until fully advanced.

5. Tighten the casing clamp screw.

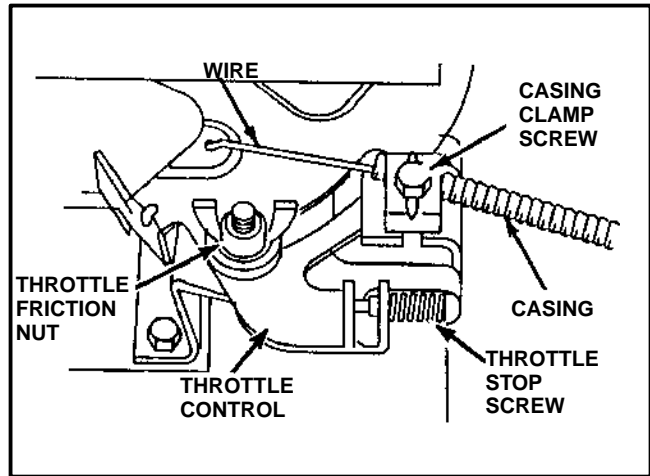


Figure 6

FOR MODELS WITH HONDA ENGINE

Refer to the following steps and Figure 7.

1. Loosen the throttle lever friction nut enough to allow free movement of the throttle lever.
2. Loosen the throttle cable clamp.
3. Push the throttle lever all the way forward.
4. Push the throttle cable sleeve up through the cable clamp until fully advanced.
5. Tighten the cable clamp securely.

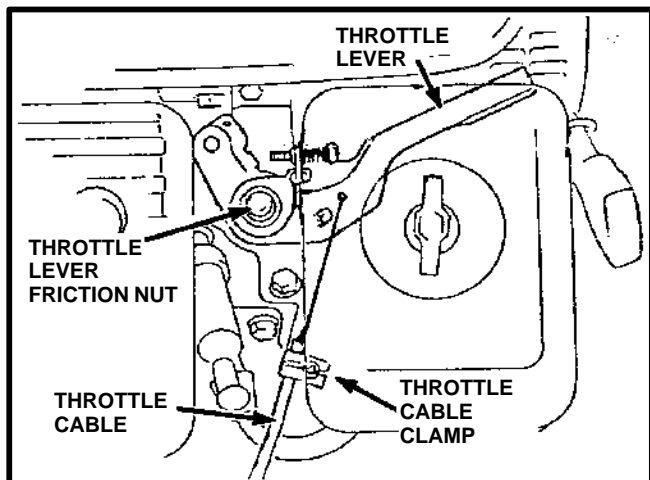


Figure 7

5 SETUP

5.4 INITIAL BELT SEATING AND ADJUSTMENT

Proper tensioning of V-belts is the single most important factor necessary for long, satisfactory operation. Too little tension will result in slippage, causing rapid belt and pulley wear. Too much tension can result in excessive stress on belts, bearings, and shafts; reduced efficiency; and operator fatigue due to excessive force required to hold the bail closed.

1. Operate the drive a few minutes to seat the belts in the sheave grooves. Observe the operation of the

drive under its highest load condition (usually starting).

2. Check the tension on a new drive several times during the first 24 hours of operation.
3. Keep the drive free of foreign material which might cause slippage or damage to the belt and sheave surfaces.
4. If a V-belt slips, it is too loose. **NEVER** apply belt dressing, as this will damage the belt and cause early failure.
5. Make sure pulleys stay in proper alignment. Misaligned pulleys can result in belt rolling in the pulley groove causing belt damage or breakage.

6 CONTROLS

6.1 HANDLE CONTROLS

Transport Lift Handle

Pushing down on the handle lowers the tines for aerating. Pulling the handle up raises the tines so the aerator can be moved or transported without incurring damage to the unit or the turf. See Figure 8.

Clutch Control Handle

Engages the belt tightener clutch. Pulling back on the handle engages the clutch; releasing the handle disengages the clutch. See Figure 8.

 **WARNING**

Releasing the clutch on an incline will cause freewheeling, which will allow the unit to roll down the incline.

Throttle Control

The throttle control adjusts the engine speed. Pushing the control forward increases the speed; pulling the control back reduces the speed. See Figure 8.

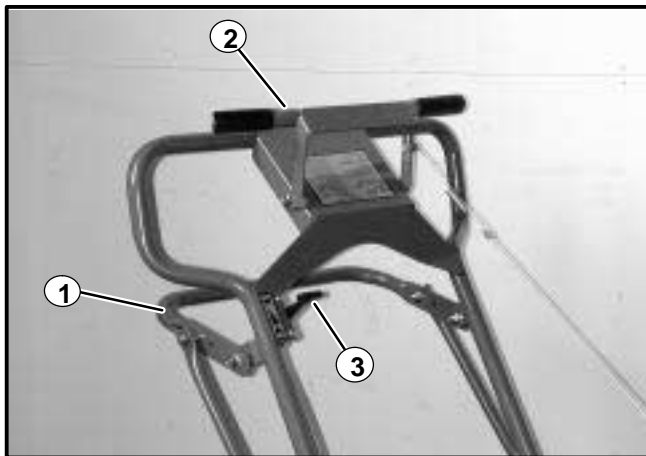


Figure 8
 1. Transport Lift Handle
 2. Clutch Control Handle
 3. Throttle Control

6.2 ENGINE CONTROLS

The Lawnaire IV & V are available with either a 3.5 HP Briggs & Stratton engine or a 4 HP Honda engine.

Briggs & Stratton Engine Controls

The engine is equipped with an On/Off switch, a choke control and a fuel shut-off valve. The On/Off switch must be in the “ON” position for the engine to be started. Turning the On/Off switch to the “OFF” position will stop the engine. Using the choke control will help start a cold engine. After the engine starts, adjust the choke for best running results. Once the engine warms up, the choke should not be needed. Refer to Figures 9 and 10.

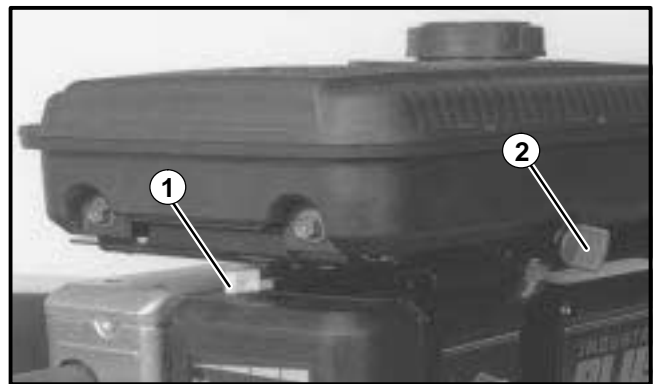


Figure 9
 1. Choke Control
 2. Fuel Shut-off valve

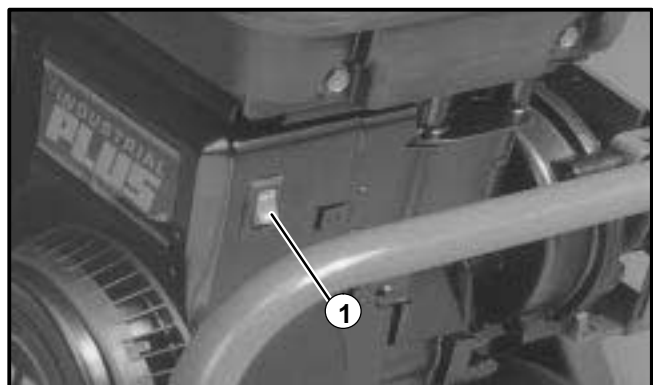


Figure 10
 1. On/Off Switch

6 CONTROLS

Honda Engine Controls

The engine is equipped with a choke, a fuel valve and an On/Off switch. The fuel valve and the On/Off switch must both be in the "ON" position to start the engine. Turn the On/Off switch to "OFF" to stop the engine. Using the choke will help start a cold engine. After the engine starts, adjust the choke for best running results. Once the engine warms, the choke should not be needed. Refer to Figure 11.

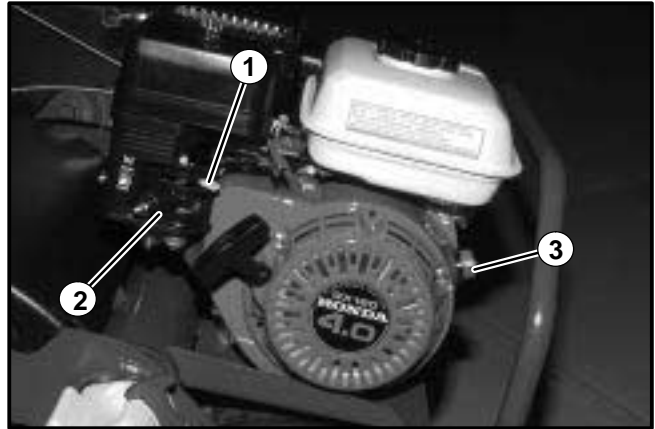


Figure 11

1. Choke
2. Fuel Valve
3. On/Off Switch

7 OPERATION

7.1 PRE-OPERATION CHECK

1. Visually check all moving parts and all fasteners. If loose or broken, tighten or replace. Check for broken or bent tines; replace if necessary.
2. Check the engine crankcase and gear reduction case oil levels with the engine resting in a level position. Add oil if necessary.
3. Follow the engine manufacturer's recommendations for the correct type and amount of oil. Fill the fuel tank according to the engine manufacturer's specifications.



WARNING

Gasoline is extremely flammable and highly explosive under certain conditions. Always stop the engine and do not smoke or allow open flames or sparks when refueling. BE SURE to reinstall fuel cap after refueling.

NEVER start or run the engine inside where exhaust fumes can collect. Carbon monoxide present in the exhaust is an odorless and deadly gas.

DO NOT operate equipment without shields in place. DO NOT make adjustments or perform any maintenance while the engine is running.

Before operating, check the area and remove any objects which may present a safety hazard or damage the equipment.

This unit is not designed to be used on steep slopes. To prevent injury and/or damage to equipment, use extreme caution when operating near terraces or hilly terrain. Travel up and down slopes at a 45° angle rather than across, to prevent unit from tipping over. DO NOT release clutch handle on a slope; this will cause freewheeling, allowing the unit to roll down the slope.

7.2 AERATING

NOTE: For best performance and maximum tine penetration, the lawn should be thoroughly watered the day before aeration.

1. Rotate the water drum on the front of the unit until the filler plug is positioned at the top. Remove the plug, fill the drum with water and replace the plug. See Figure 12.

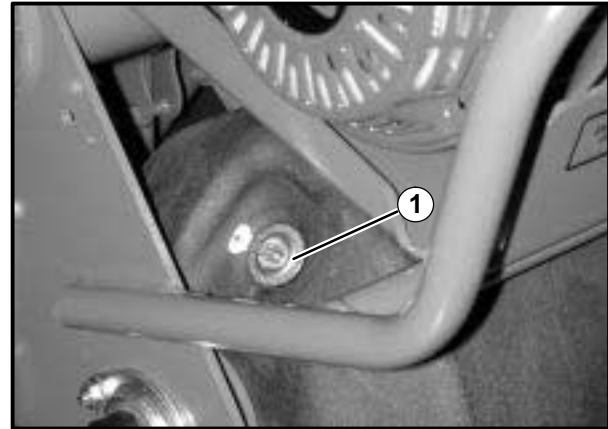


Figure 12

1. Water Drum Filler Plug

2. Move the engine On/Off switch to the "ON" position and then pull the recoil starter and choke as required to start the engine.
3. Lift the transport lift handle if necessary to make sure the tines are not touching the ground, advance the throttle, slowly pull back on the clutch handle control and transport the aerator to the work area.

NOTE: Never cross hard objects or surfaces (such as sidewalks, driveways, stepping stones, etc.) with tines in the down position.

4. Upon reaching the work area, release the clutch control handle and adjust the throttle speed for aerating.
5. Push down on the transport lift handle, lowering the aerating tines to the turf.
6. Pull back slowly on the clutch control handle to start aerating.

NOTE: For maximum tine penetration into turf, apply downward pressure on the handle, until drum is off the ground.

7. At the end of each aerating pass, release the clutch control handle, lift up on the handle assembly and pivot the unit on the water drum. Resume aerating.
8. When finished aerating, lift up on the transport lift handle to move the unit into transport position.
9. Drain the water drum when finished with aerating.

8 SERVICE



WARNING

When replacement parts are required, use genuine RYAN parts or parts with equivalent characteristics, including type, strength and material. Failure to do so may result in product malfunction and possible injury to the operator and/or bystanders.

Any warning decal that becomes illegible should be replaced immediately.

Do not operate equipment without shields in place.

Do not make any adjustments or perform any maintenance while the engine is running.

1. Thoroughly clean all tines inside and out when aerating is completed and apply a light coat of oil to prevent rust on tines.
2. Check the engine and gear reduction case oil levels with the engine resting in a level position.
3. Inspect the air filter element and replace it if necessary.
4. Lubricate the clutch pivot prior to each aerating season or as needed. See Figure 13.

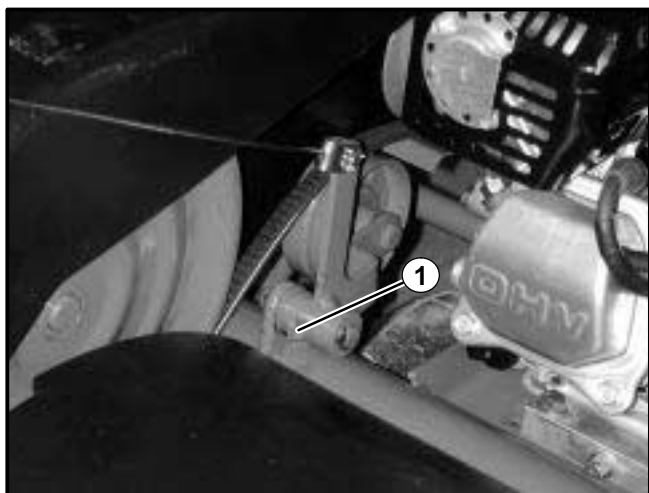


Figure 13
1. Clutch Pivot Lube Fitting

5. Keep the drive belt free of oil and dirt and replace if worn or damaged.

6. Keep the roller chain clean and in proper running order. Lubricate using Lubriplate #13563, available as Part No. 523248.
7. Check the roller chain for tightness and wear. Adjust idler sprockets if necessary by loosening the nut and screw holding the idler sprocket to the frame and then sliding the sprocket in the slot to the desired position. Tighten hardware.

NOTE: Excessive roller chain tightness will shorten the life of the bearings. The chain should have movement of 1/8" to 1/4" (3 mm to 6 mm) deflection at the center point between the upper idler and drum sprockets. See Figure 14.

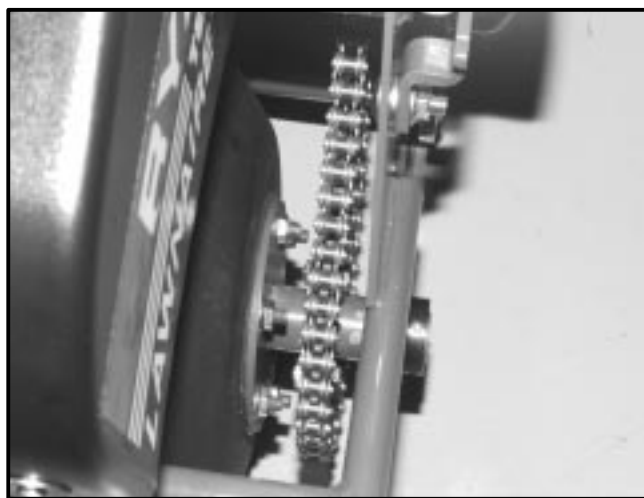


Figure 14

8.1 TOUCH UP PAINT

Ransomes Green (medium green)

16 oz. (0.5L) spray order no. 838140

1 qt. (0.95L) can order no. 838141

9 STORAGE INSTRUCTIONS**WARNING**

To prevent possible explosion or ignition of vaporized fuel, do not store equipment with fuel in tank or carburetor in an enclosure with open flame (for example, a furnace or water heater pilot light).

Before the equipment is put into storage for any period exceeding 30 days, the following steps should be taken:

1. Drain all fuel from the fuel tank and fuel lines.
2. Start the engine and run until all the fuel is used from the carburetor float bowl.
3. While the engine is still warm, drain the crankcase oil and replace with the proper weight oil corresponding to the season the equipment will next be used.
4. Remove the spark plug and squirt a small amount of engine oil into the cylinder. Turn the engine over a few times to distribute the oil.
5. Drain the water drum.

NOTE: Always drain the water drum for winter storage. Freezing water can rupture the drum.

6. Lubricate the clutch pivot fitting.

To put the equipment into service after an extended period of storage:

1. Check for loose parts and tighten if necessary.
2. Check for cracked or broken tines and replace as necessary.
3. Fill the fuel tank.
4. Check the engine and gear reduction case oil levels with the engine in a level position.
5. Start the engine.
6. Check for fuel leaks.
7. Check clutch control operation to make sure the unit stops when the clutch control is released.

10 TRANSPORTING

10 TRANSPORTING

If a tote trailer will be used to transport the unit, the two cast weights must be removed from the aerator frame and a locking shaft installed in their place.

Removing the cast weights and draining the water drum will decrease the weight for easier loading on a vehicle or trailer.

To remove the weights, pull up on the latch securing the weights and slide the weights out. See Figure 15.

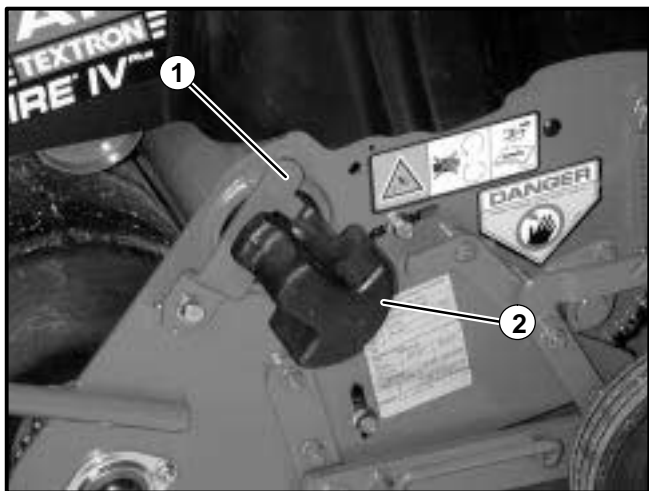


Figure 15

1. Latch
2. Weights



CAUTION

Use caution when removing the cast weights.
Each weight is approximately 22 lbs.

NOTE: Be sure to close the fuel shut off valve before transporting the unit.

REMOVABLE TRANSPORT WHEELS

The rear wheels of the Lawnaire V are removable for transporting the aerator through fence gates.

With the wheels removed the Lawnaire V will pass through a 32 inch opening.

With the engine off, lower the aerator so that the tines are on the ground and the wheels are off the ground. Remove hair pins from the axles. Slide wheels and axles out of transport frame. See Figure 16.

Lift up on the aerator handle so the tines are off the ground. With the tines off the ground, push the aerator through the gate on the front drum. Once on the other side of the gate, reinstall the wheels.

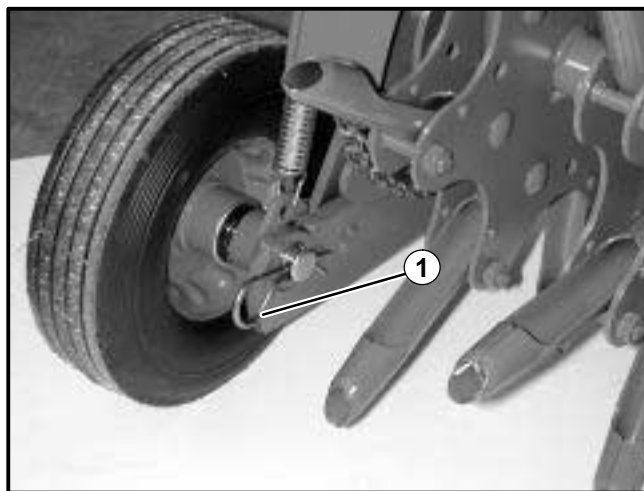


Figure 16


1. Hair Pin For Wheel Removal


**TORQUE SPECIFICATIONS
HEX HEAD CAP SCREWS**

The torque values shown should be used as a general guideline when specific torque values are not given.

U.S. Standard Hardware

Grade	Shank Size (Diameter in inches, fine or coarse thread)													
		1/4	5/16	3/8	7/16	1/2	9/16	5/8	3/4	7/8	1	1 1/8		
SAE grade 5 *	ft.-lb.	9	18	31	50	75	110	150	250	378	583	782		
	N-m	12	24	42	68	102	150	203	339	513	790	1060		
SAE grade 8 **	ft.-lb.	13	28	46	75	115	165	225	370	591	893	1410		
	N-m	18	38	62	108	156	224	305	502	801	1211	1912		
Flangelock Screw w/ Flangelock Nut	ft.-lb.		24	40										
	N-m		33	54										

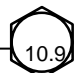
* Grade 5 marking –  Minimum commercial quality (Lower quality not recommended).

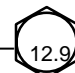
** Grade 8 marking – 

Metric Standard Hardware

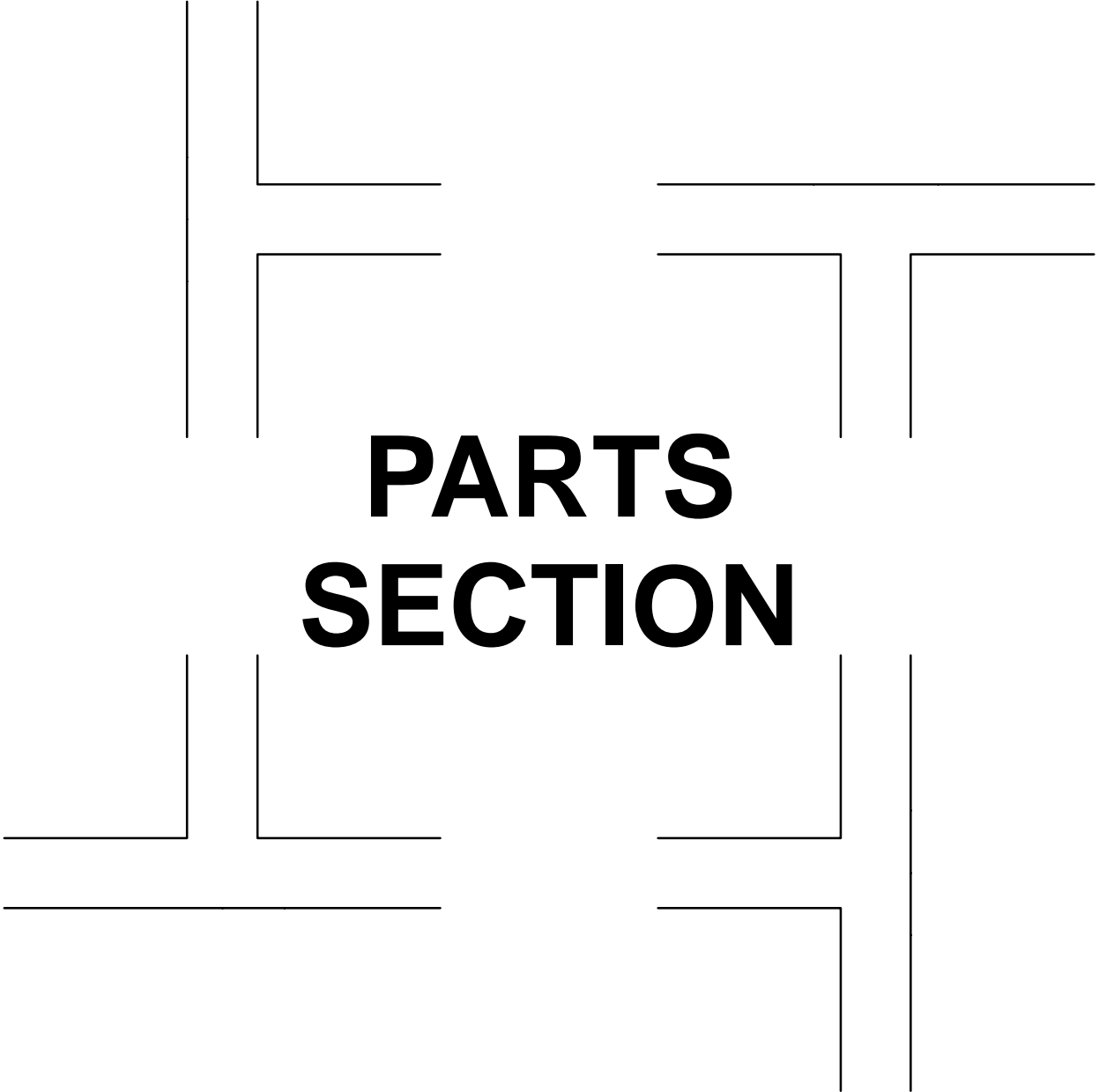
Grade	Shank Size (Diameter in millimeters, fine or coarse thread)														
		M4	M5	M6	M7	M8	M10	M12	M14	M16	M18	M20	M22	M24	M27
Grade 8.8*	N-m	2	4	7	11	18	32	58	94	144	190	260	368	470	707
	ft.-lb.	1.5	3	5.2	8.2	13.5	24	43.5	70.5	108	142	195	276	353	530
Grade 10.9**	N-m	3	6	10	16	25	47	83	133	196	269	366	520	664	996
	ft.-lb.	2.2	4.5	7.5	12	18.8	35.2	62.2	100	147	202	275	390	498	747
Grade 12.9 ***	N-m	3.6	7	11	20	29	58	100	159	235	323	440	628	794	1205
	ft.-lb.	2.7	5.2	8.2	15	21.8	43.5	75	119	176	242	330	471	596	904

* Grade 8.8 marking – 

** Grade 10.9 marking – 

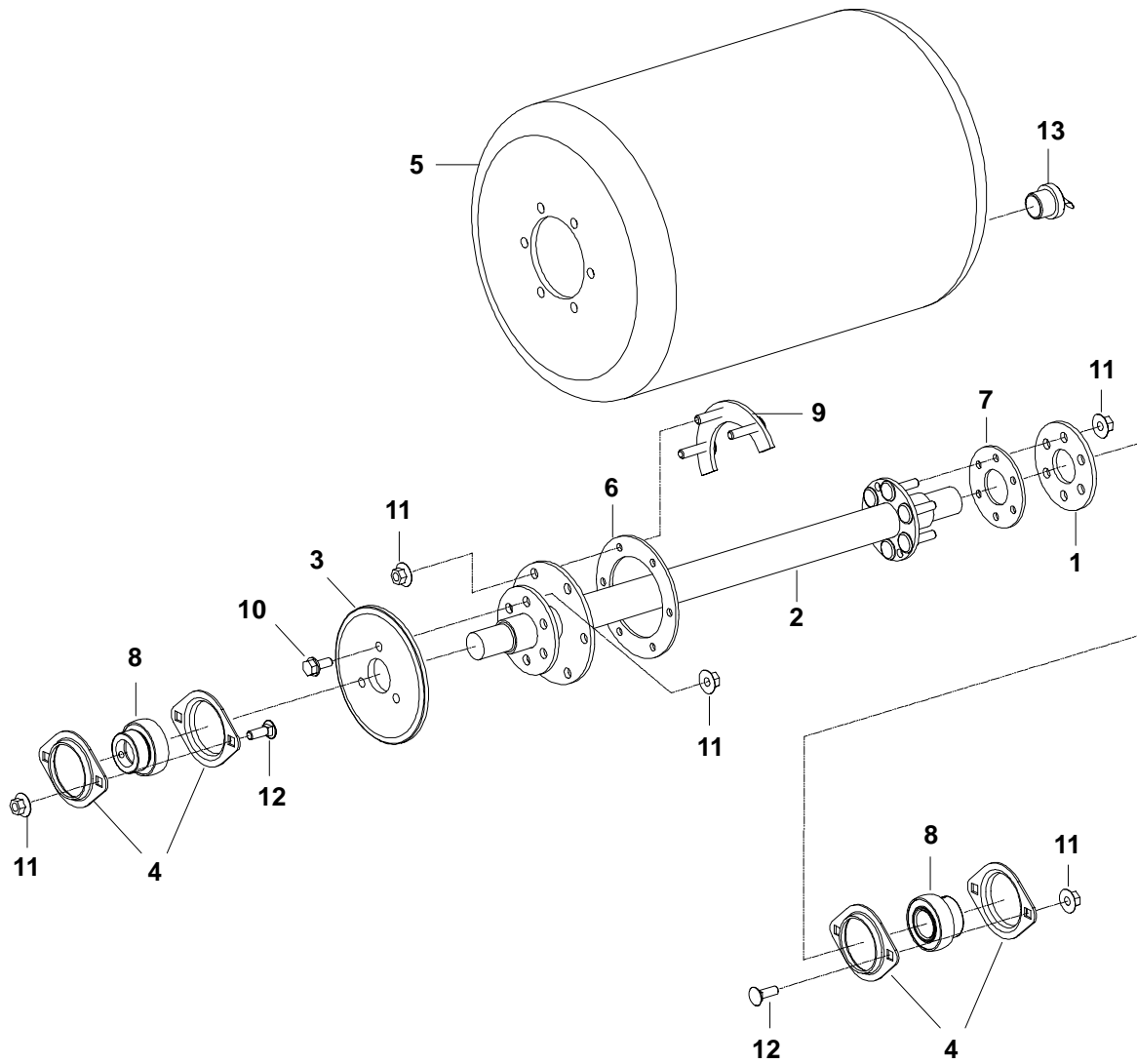
*** Grade 12.9 marking – 

NOTES



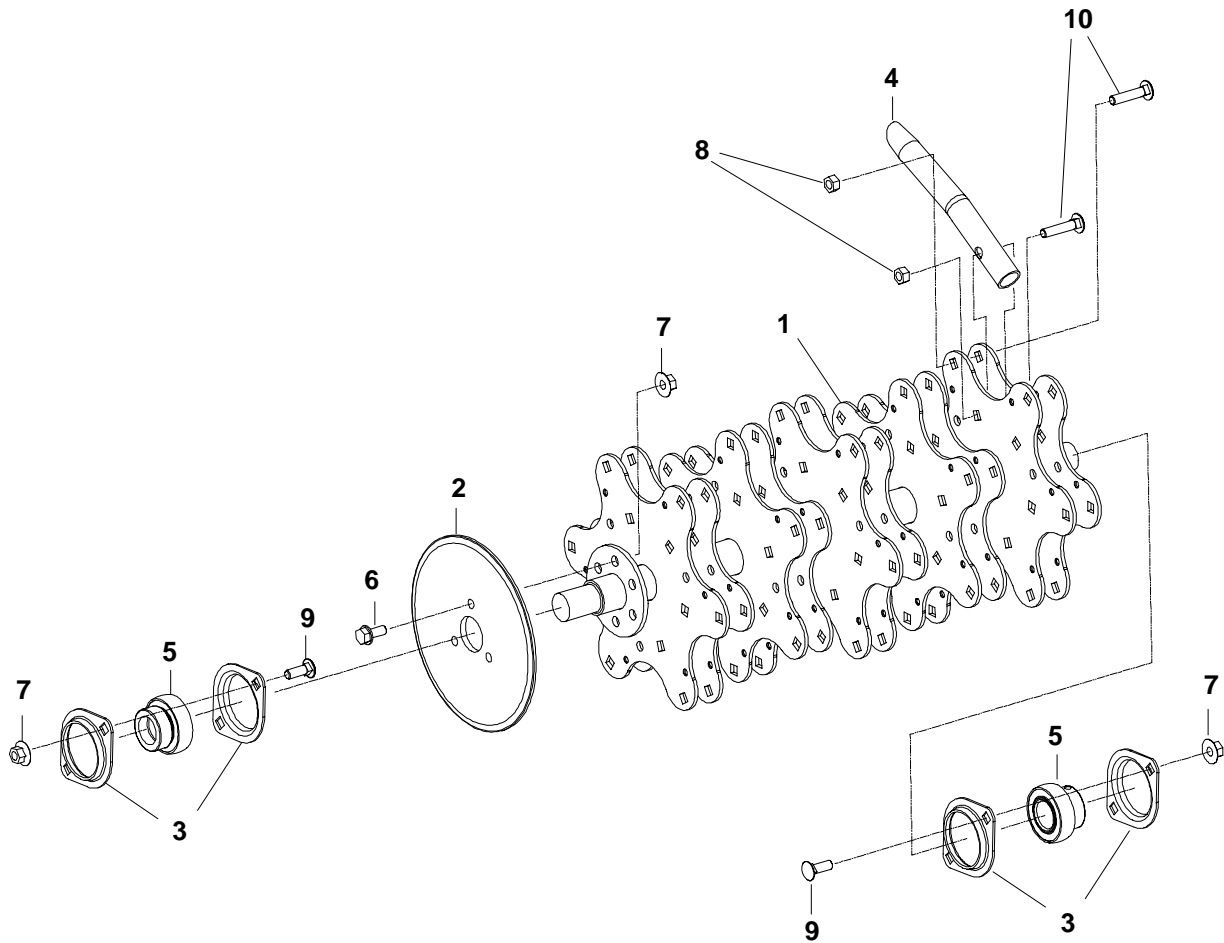
**PARTS
SECTION**

12.1 LAWNAIRE IV DRUM GROUP



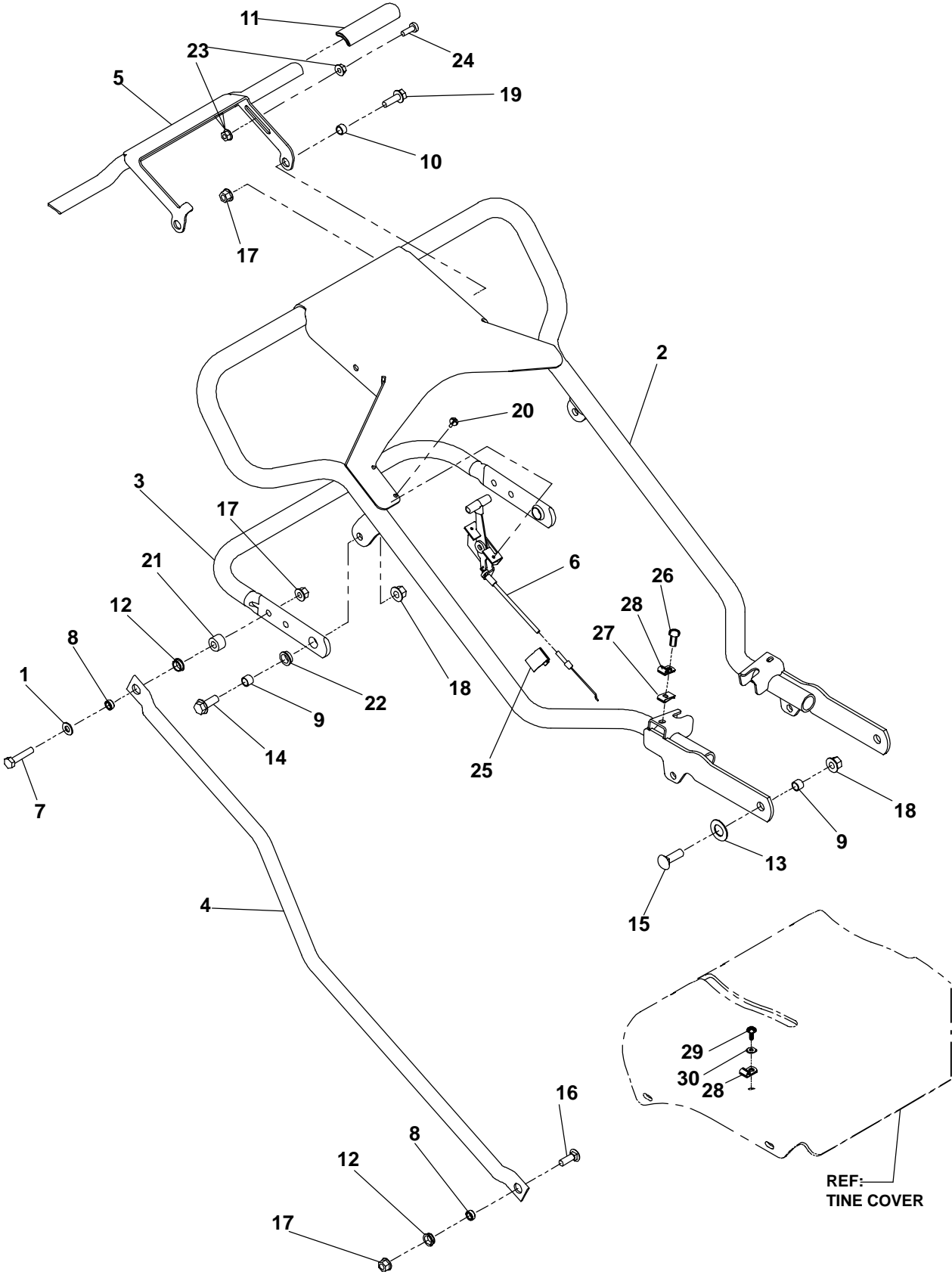
Ref. No.	Part No.	Description	No. Req'd	Notes
1	2702741.2	Plate, flange	1	
2	2703102.2	Drive AY	1	
3	2703157.2	Sprocket, 30T, .50P	1	
4	2703508	Flange, bearing 2.04 I.D.	4	
5	2703783	Drum, water	1	
6	522480	Gasket, 4.50 dia.	1	
7	522481	Gasket, 3.00 dia.	1	
8	545786	Bearing Assembly	2	
9	545887	Ring AY, split	2	
10	548604	Screw, 5/16-18 x 3/4	3	
11	548911	Nut, 5/16-18	19	
12	800557	Bolt, carriage, 5/16-18 x 3/4	4	
13	821274	Plug, drain	1	

LAWNAIRE IV TINE WHEEL GROUP 12.2



Ref. No.	Part No.	Description	No. Req'd	Notes
1	2702742.2	Tine Wheel AY	1	
2	2703160.2	Sprocket, 42T, .50P	1	
3	2703508	Flange, bearing 2.04 I.D.	4	
4	522361	Tine, coring, 3/4	30	
5	545786	Bearing Assembly	2	
6	548604	Screw, 5/16-18 x 3/4	3	
7	548911	Nut, 5/16-18	7	
8	800290	Nut, centerlock, 5/16-18	60	
9	800557	Bolt, carriage, 5/16-18 x 3/4	4	
10	800606	Bolt, carriage, 5/16-18 x 1 1/2	60	

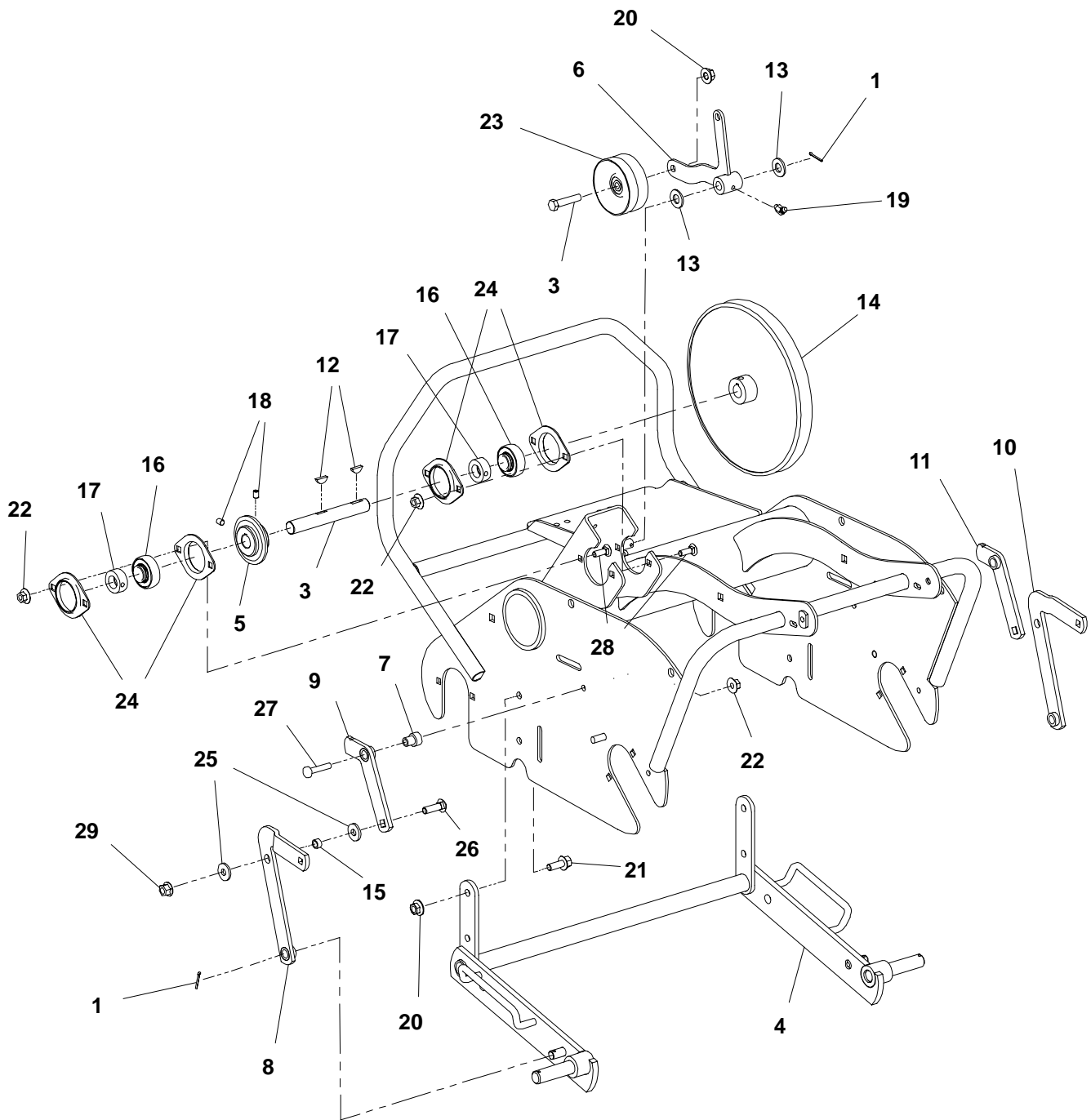
12.3 LAWNMOWER IV HANDLE GROUP



LAWNAIRE IV HANDLE GROUP 12.3

Ref. No.	Part No.	Description	No. Req'd	Notes
1	103867	Washer, Flat, 5/16	1	
2	2703058.2	Handle assembly	1	
3	2703059.2	Handle, height adjustment	1	
4	2703067.2	Tube, control	2	
5	2703070.2	Bail assembly	1	
6	2703185	Control assembly, throttle, 43"	1	
7	306501	Screw, 5/16 -18 x 1	1	
8	517226	Bushing	2	
9	518438	Bushing, stl, .391ID x .500OD x .35	2	
10	521679	Bushing	1	
11	523139	Grip, handle	1	
12	524643	Bearing, split	2	
13	548477	Washer, Flat, 41/64	1	
14	548905	Screw, 3/8 -16 x 1	1	
15	800073	Carriage bolt, 3/8-16 x 1.25	1	
16	800557	Carriage bolt, 5/16-18 x 3/4	1	
17	800697	Nut, 5/16-18, crownlock	3	
18	800698	Nut, 3/8-16, crownlock	2	
19	800710	Screw, 5/16-18 x 1	1	
20	819195	Screw, tapping, #8-18 x 1/2	2	
21	822474	Spacer, 3/8 x 3/4 x 1/2	1	
22	830165	Bushing	1	
23	548910	Nut, 1/4 - 20	2	
24	800026	Screw, 1/4 - 20 x 3/4	1	
25	809069	Clip	1	
26	800277	Screw, 1/4-20 x 5/8	1	Honda engine only.
27	800169	Nut, 1/4-20, speed	1	Honda engine only.
28	812445	Clamp	1	
29	819195	Screw, #8-18 1/2, tapping	1	Briggs & Stratton engine only.
30	308089	Washer, #10	1	Briggs & Stratton engine only.

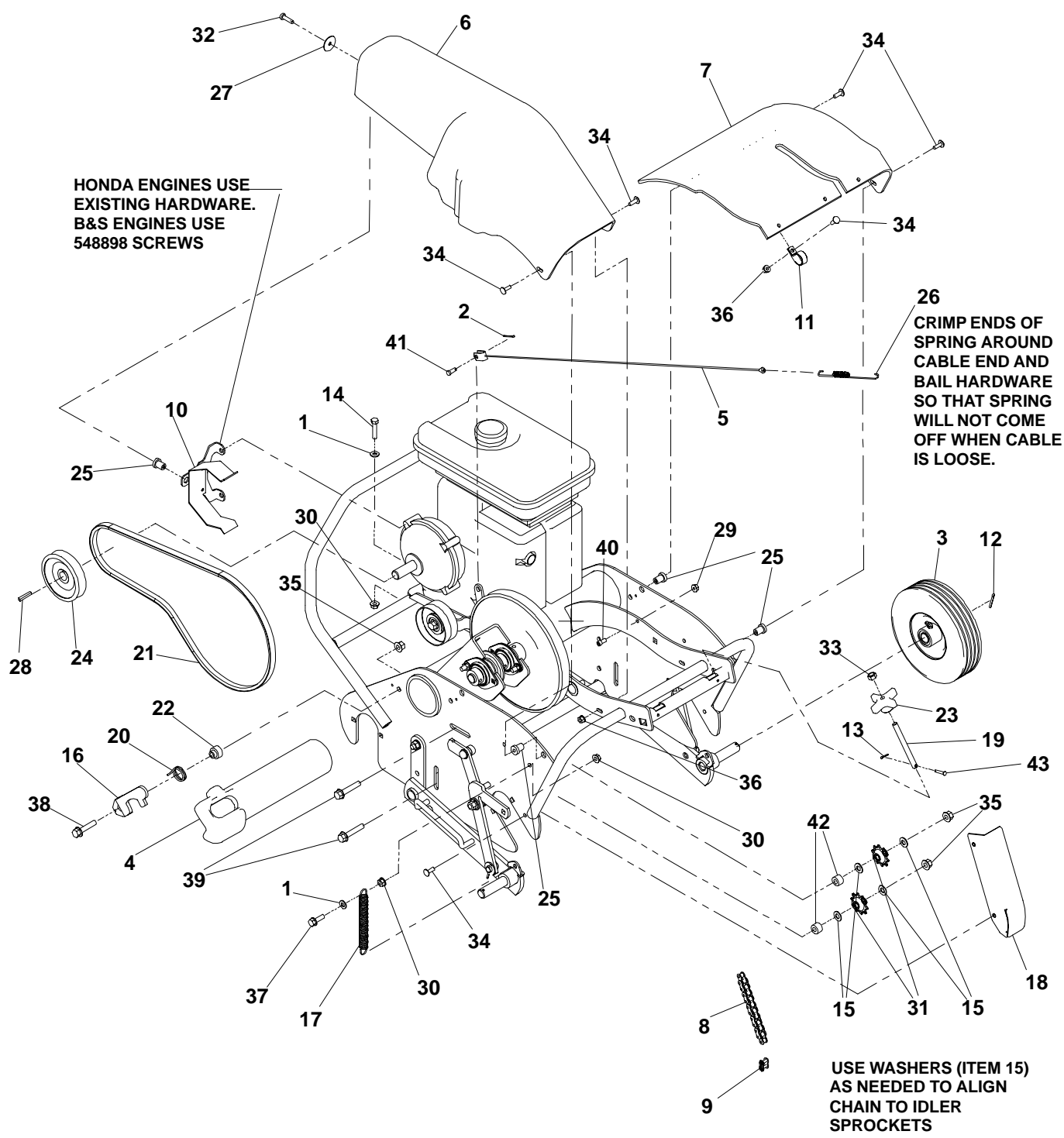
12.4 LAWNMOWER IV FRAME GROUP



LAWNAIRE IV FRAME GROUP 12.4

Ref. No.	Part No.	Description	No. Req'd	Notes
1	120219	Pin, cotter, .09	3	
2	2702248	Screw, 3/8-16 x 1 3/4	1	
3	2702738	Shaft, jack	1	
4	2702877.2	Frame assembly, transport	1	
5	841261	Sprocket, 16T, 1/2P	1	
6	2703341.2	Bellcrank assembly, idler	1	
7	2703519	Bushing, shoulder 21/64 x 3/4 x 51/64	2	
8	2703756.2	Link assembly, lower left	1	
9	2703757.2	Link assembly, upper left	1	
10	2703758.2	Link assembly, lower right	1	
11	2703759.2	Link assembly, upper right	1	
12	306367	Key, woodruff, 3/16 x 3/4	2	
13	308091	Washer, flat, 1/2 x 1 1/16 x 3/32	2	
14	521609	Pulley, driven 10"	1	
15	521679	Bushing	2	
16	521856	Bearing, ball	2	
17	521857	Collar, brg locking	2	
18	548201	Screw, set, 5/16-18 x 5/16	2	
19	548225	Fitting, grease, 45D	1	
20	548804	Nut, 3/8-16	5	
21	548905	Screw, 3/8-16 x 1	4	
22	548911	Nut, 5/16-18	6	
23	548942	Pulley, idler, 3.25 dia.	1	
24	548962	Housing, bearing	4	
25	603620	Washer, flat, 3/8 x 1 x 1/8	4	
26	800073	Bolt, carriage, 3/8-16 x 1 1/4	2	
27	800329	Screw, 5/16-18 x 1 1/2	2	
28	800557	Bolt, carriage, 5/16-18 x 3/4	4	
29	800698	Nut, crownlock, 3/8-16	2	

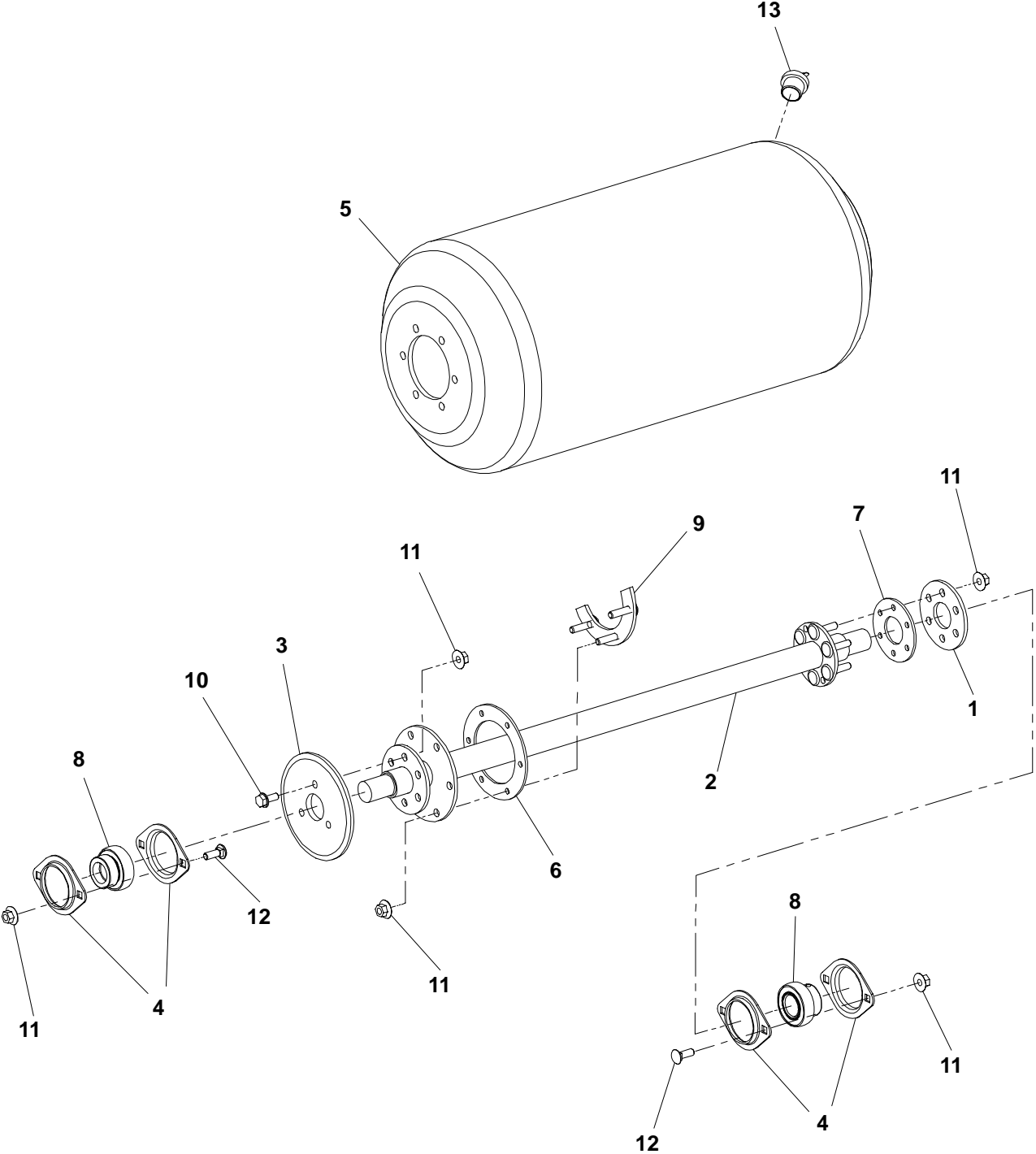
12.5 LAWNAIRE IV MAIN GROUP



LAWNAIRE IV MAIN GROUP 12.5

Ref. No.	Part No.	Description	No. Req'd	Notes
1	103867	Washer, flat, 5/16	6	
2	120219	Pin, cotter	1	
3	2702958	Wheel, 8 x 2.5 - pneum	2	
4	2703148	Weight	2	
5	4117195	Cable, clutch	1	
6	2703444	Cover, drive	1	
7	2703445	Cover, tine	1	
8	2763611	Chain w/link, #40	1	
9	4113841	•Link, #40	1	
10	2703616.2	Bracket assembly, cover	1	
11	2703692	Clip, tube	3	
12	304636	Pin, cotter	2	
13	306372	Pin, cotter	2	
14	306501	Screw, 5/16 x 1 1/2	4	
15	306981	Washer, flat, 3/8	4	
16	4109880.2	Latch, weight	2	
17	4113746	Spring, extension	2	
18	4113972.2	Cover, chain	1	
19	4114101	Rod, adjustment	2	
20	4114111	Spring, torsion	2	
21	4114319	Belt, kevlar	1	
22	4114608	Bushing, shoulder .390 ID X .71	2	
23	4115632	Knob, 2 1/2"	2	
24	521608	Pulley, 4 inch diameter	1	
25	522516	Mount, isolation	4	
26	523898	Spring, extension	1	
27	548175	Washer, flat, 1/4	1	
28	548366	Key	1	
29	548910	Nut, 1/4	2	
30	548911	Nut, 5/16	8	
31	548960	Sprocket, idler	2	
32	800017	Screw, 1/4	1	
33	800531	Nut, crownlock, 3/8	2	
34	800582	Screw, 1/4 x 3/4	9	
35	800698	Nut, crown, 3/8	4	
36	800706	Nut, flange, 5/16	4	
37	800710	Screw, 5/16	2	
38	800711	Screw, 3/8 -16 x 1.75	2	
39	800712	Screw, 3/8 -16 x 2.00	2	
40	800862	Screw, 1/4	2	
41	813379	Pin, clevis	1	
42	822474	Spacer, 3/8 x 3/4	2	
43	823225	Pin, clevis	2	

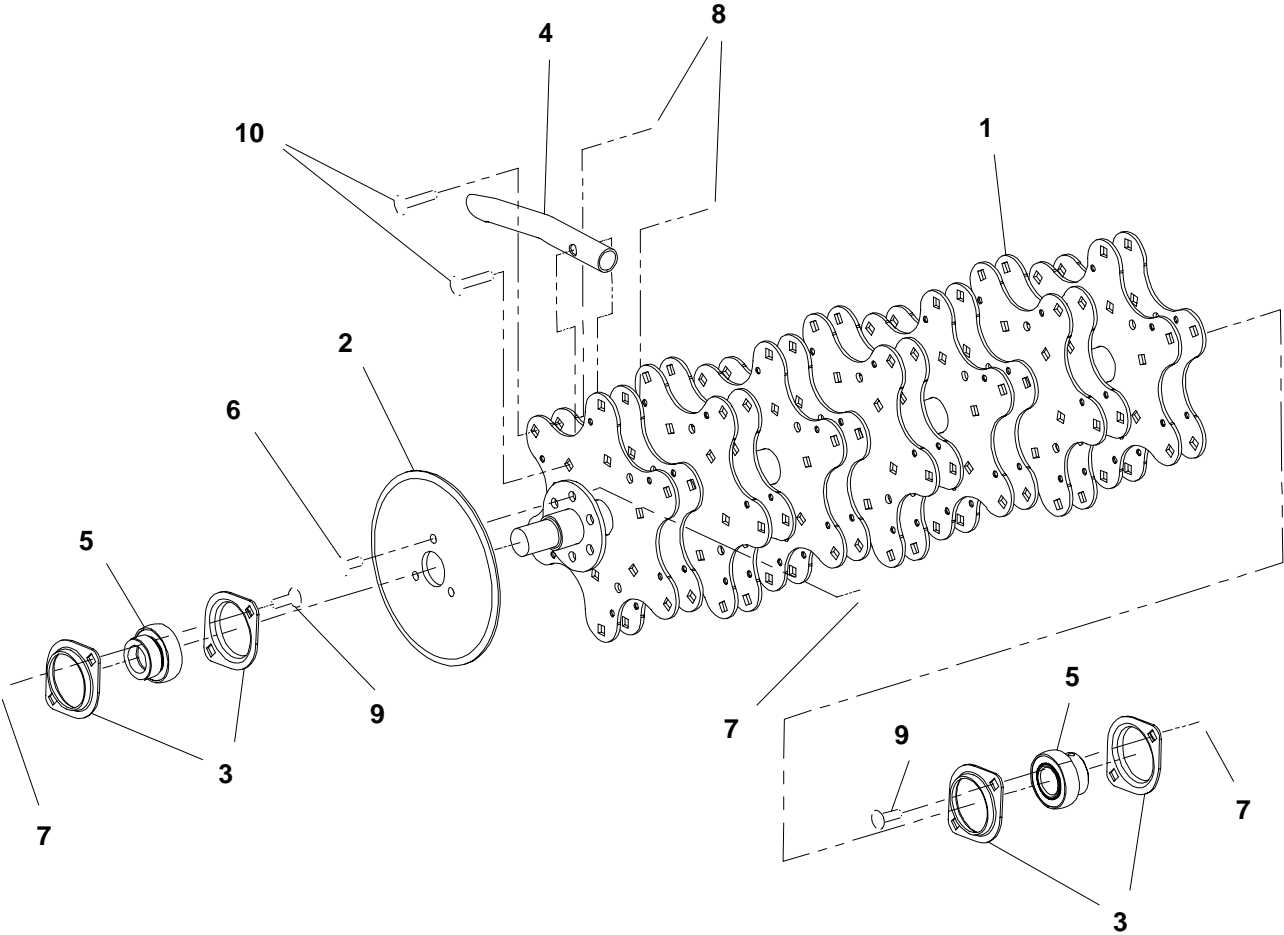
12.6 LAWNMOWER V DRUM GROUP



LAWNLAIRE V DRUM GROUP 12.6

Ref. No.	Part No.	Description	No. Req'd	Notes
1	2702741.2	Plate, flange	1	
2	2703108.2	Drive assembly	1	
3	2703157.2	Sprocket, 30T, .50P	1	
4	2703508	Flange, bearing, 2.04 I.D.	4	
5	2703785	Drum, water	1	
6	522480	Gasket, 4.50 dia.	1	
7	522481	Gasket, 3.00 dia.	1	
8	545786	Bearing Assembly	2	
9	545887	Ring assembly, split	2	
10	548604	Screw, 5/16-18 x 3/4	3	
11	548911	Nut, 5/16-18	19	
12	800557	Bolt, carriage, 5/16-18 x 3/4	4	
13	821274	Plug, drain	1	

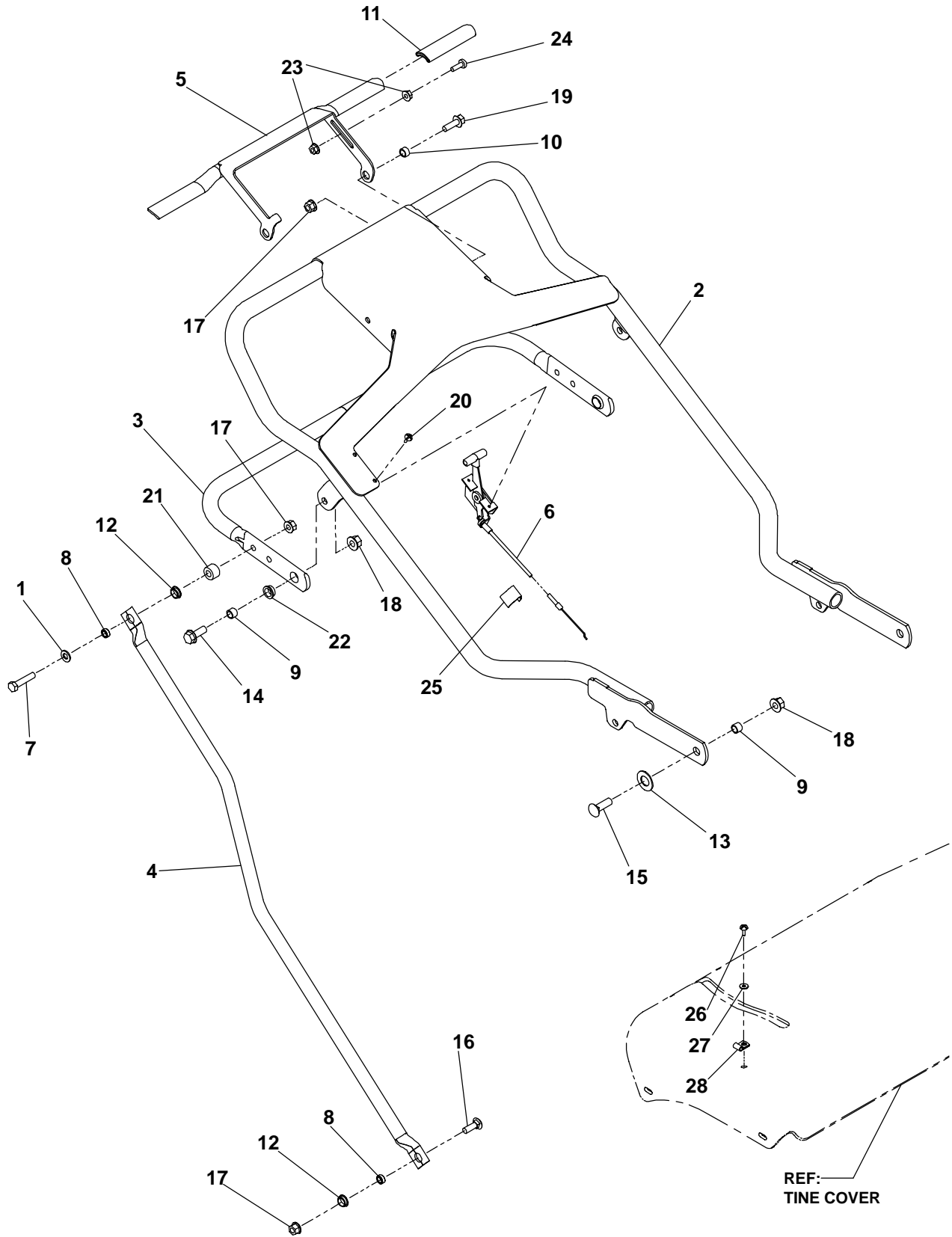
12.7 LAWNAIRE V TINE WHEEL GROUP



LAWNAIRE V TINE WHEEL GROUP 12.7

Ref. No.	Part No.	Description	No. Req'd	Notes
1	2703004.2	Tine Wheel AY	1	
2	2703160.2	Sprocket, 42T, .50P	1	
3	2703508	Flange, bearing 2.04 I.D.	4	
4	522361	Tine, coring, 3/4	42	
5	545786	Bearing Assembly	2	
6	548604	Screw, 5/16-18 x 3/4	1	
7	548911	Nut, 5/16-18	3	
8	800290	Nut, centerlock, 5/16-18	2	
9	800557	Bolt, carriage, 5/16-18 x 3/4	2	
10	800606	Bolt, carriage, 5/16-18 x 1 1/2	2	

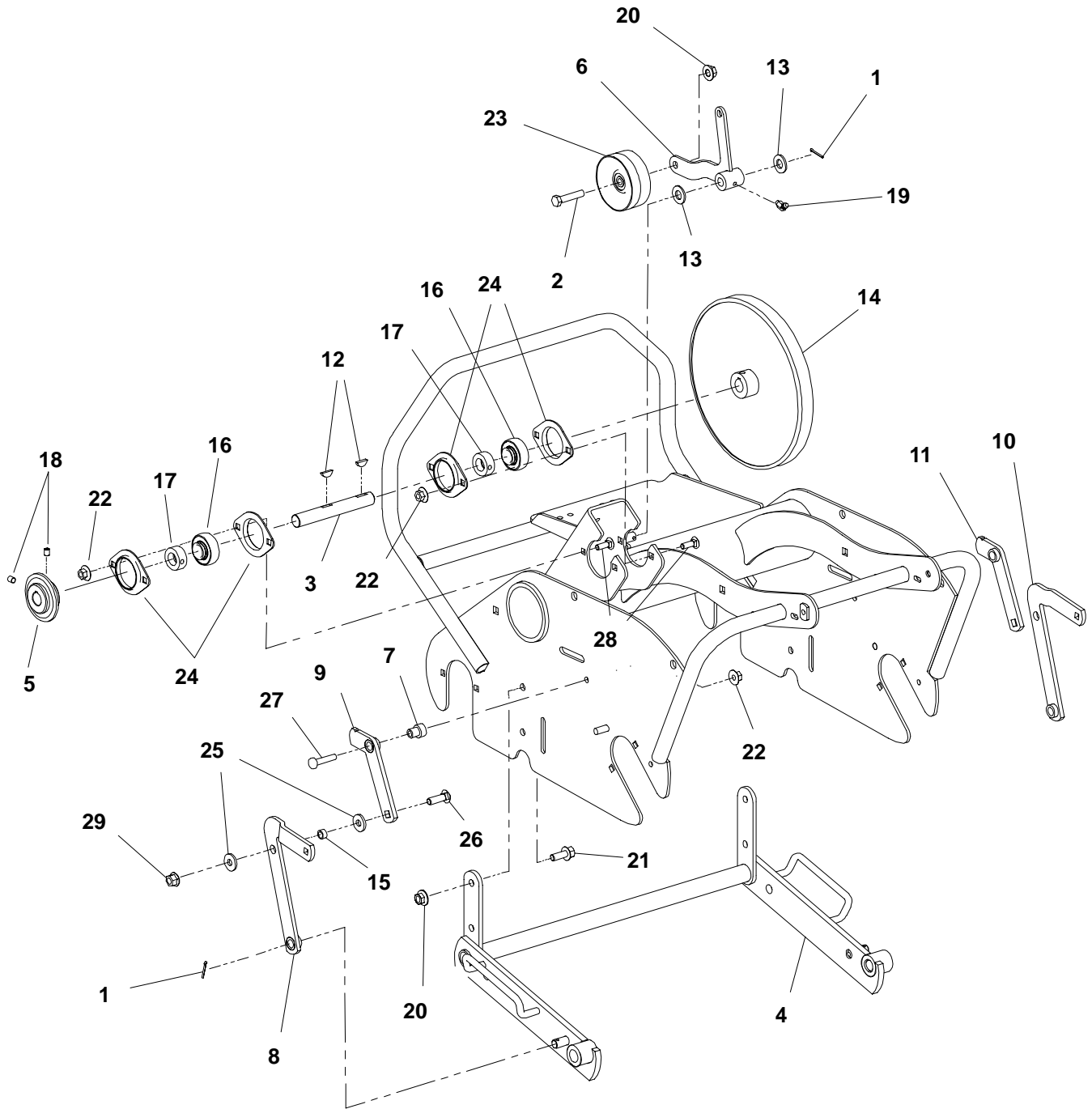
12.8 LAWNMOWER V HANDLE GROUP



LAWNAIRE V HANDLE GROUP 12.8

Ref. No.	Part No.	Description	No. Req'd	Notes
1	103867	Washer, Flat, 5/16	1	
2	2703029.2	Handle assembly	1	
3	2703060.2	Handle, height adjustment	1	
4	2703067.2	Tube, control	1	
5	2703070.2	Bail assembly	1	
6	2703185	Control assembly, throttle, 43"	1	
7	306501	Screw, 5/16-18 x 1	1	
8	517226	Bushing	2	
9	518438	Bushing, stl, .391 ID x .500 OD x .35	2	
10	521679	Bushing	1	
11	523139	Grip, handle	1	
12	524643	Bearing, split	2	
13	548477	Washer, Flat 41/64	1	
14	548905	Screw, 3/8-16 x 1	1	
15	800073	Bolt, carriage, 3/8-16 x 1 1/4	1	
16	800557	Bolt, carriage, 5/16-18 x 3/4	1	
17	800697	Nut, crownlock, 5/16-18	3	
18	800698	Nut, crownlock, 3/8-16	2	
19	800710	Screw, 5/16-18 x 1	1	
20	819195	Screw, tapping, #8-18 x 1/2	2	
21	822474	Spacer, 3/8 x 3/4 x 1/2	1	
22	830165	Bushing	1	
23	548910	Nut, 1/4-20	2	
24	800026	Screw, 1/4-20 x 3/4	1	
25	809069	Clip	1	
26	819195	Screw, #8-18 1/2, tapping	1	Briggs & Stratton engine only.
27	308089	Washer, #10	1	Briggs & Stratton engine only.
28	812445	Clamp	1	Briggs & Stratton engine only.

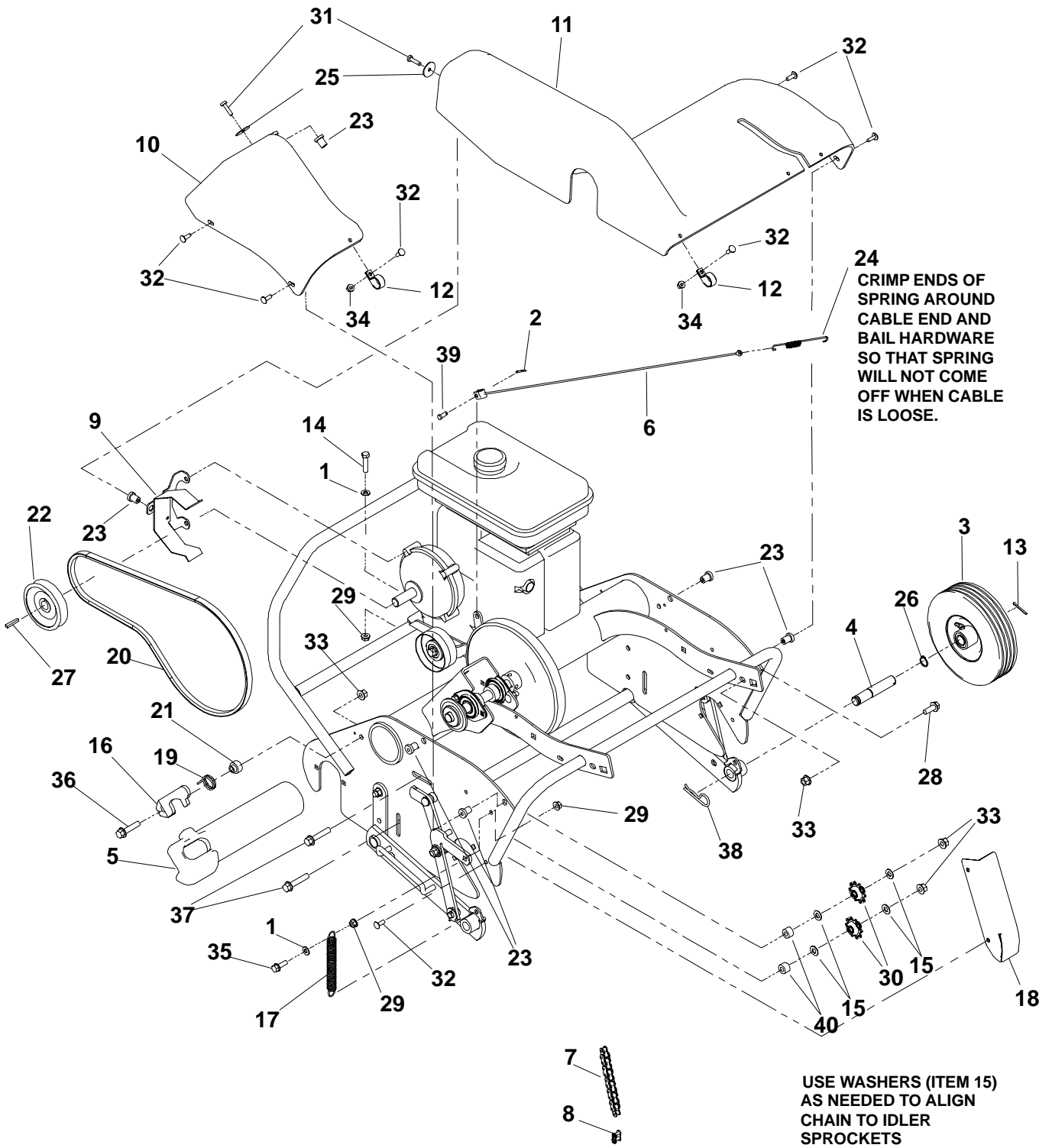
12.9 LAWNMOWER V FRAME GROUP



LAWNAIRE V FRAME GROUP 12.9

Ref. No.	Part No.	Description	No. Req'd	Notes
1	120219	Pin, cotter, .09	3	
2	2702248	Screw, 3/8-16 x 1 3/4	1	
3	2703101	Shaft, jack	1	
4	2703019.2	Frame assembly, transport	1	
5	841261	Sprocket, 16T, 1/2P	1	
6	2703341.2	Bellcrank assembly, idler	1	
7	2703519	Bushing, shoulder 21/64 x 3/4 x 51/64	2	
8	2703756.2	Link assembly, lower left	1	
9	2703757.2	Link assembly, upper left	1	
10	2703758.2	Link assembly, lower right	1	
11	2703759.2	Link assembly, upper right	1	
12	306367	Key, woodruff, 3/16 x 3/4	2	
13	308091	Washer, flat, 1/2 x 1 1/16 x 3/32	2	
14	521609	Pulley, driven 10"	1	
15	521679	Bushing	2	
16	521856	Bearing, ball	2	
17	521857	Collar, brg locking	2	
18	548201	Screw, set, 5/16-18 x 5/16	2	
19	548225	Fitting, grease, 45D	1	
20	548804	Nut, 3/8-16	5	
21	548905	Screw, 3/8-16 x 1	4	
22	548911	Nut, 5/16-18	6	
23	548942	Pulley, idler, 3.25 dia.	1	
24	548962	Housing, bearing	4	
25	603620	Washer, flat, 3/8 x 1 x 1/8	4	
26	800073	Bolt, carriage, 3/8-16 x 1 1/4	2	
27	800329	Screw, 5/16-18 x 1 1/2	2	
28	800557	Bolt, carriage, 5/16-18 x 3/4	4	
29	800698	Nut, crownlock, 3/8-16	2	

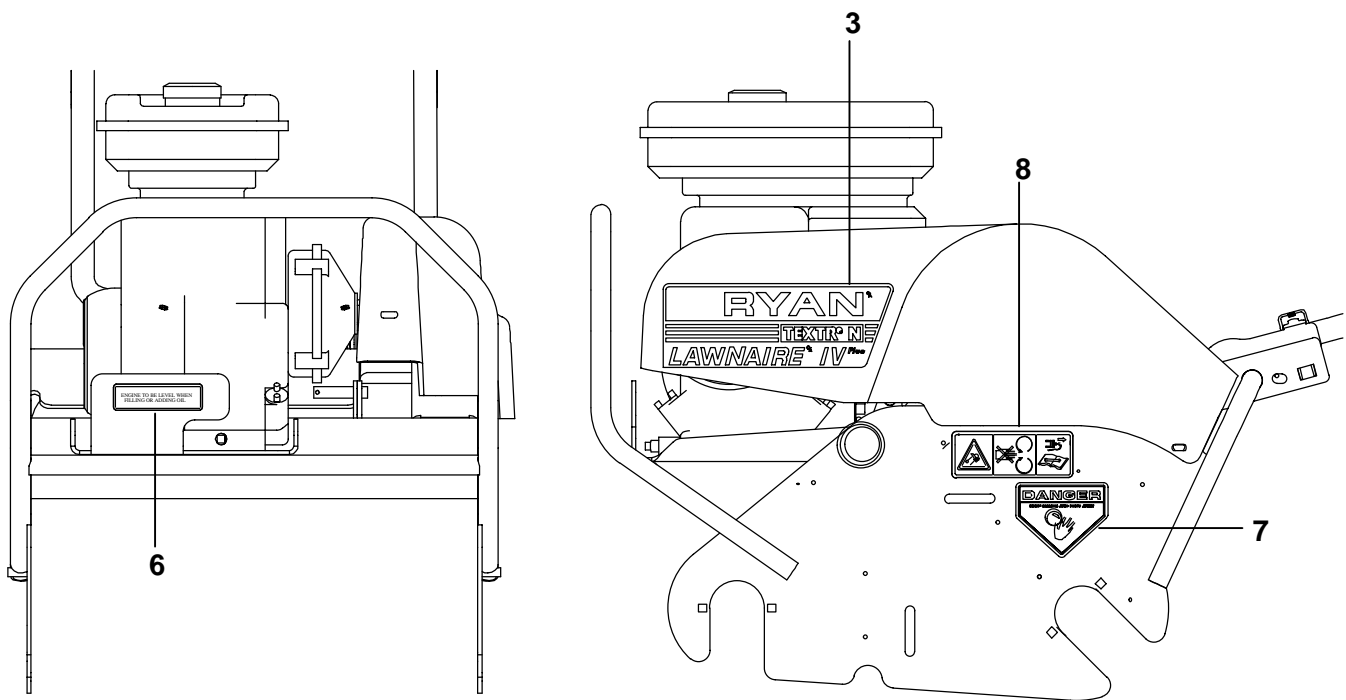
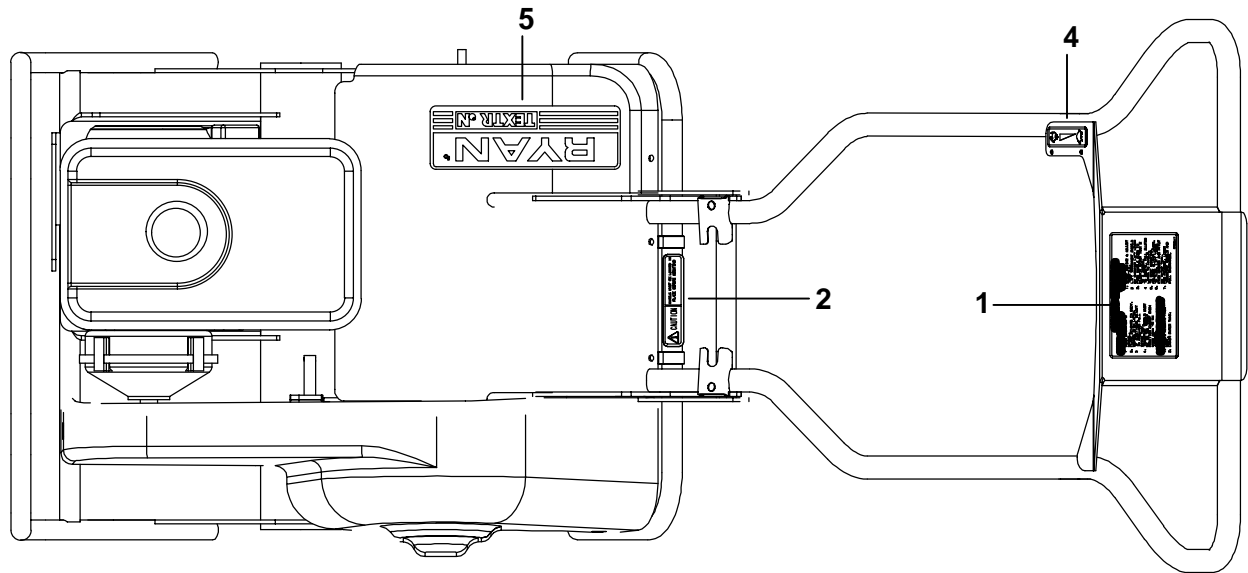
12.10 LAWNMOWER V MAIN GROUP



LAWNAIRE V MAIN GROUP 12.10

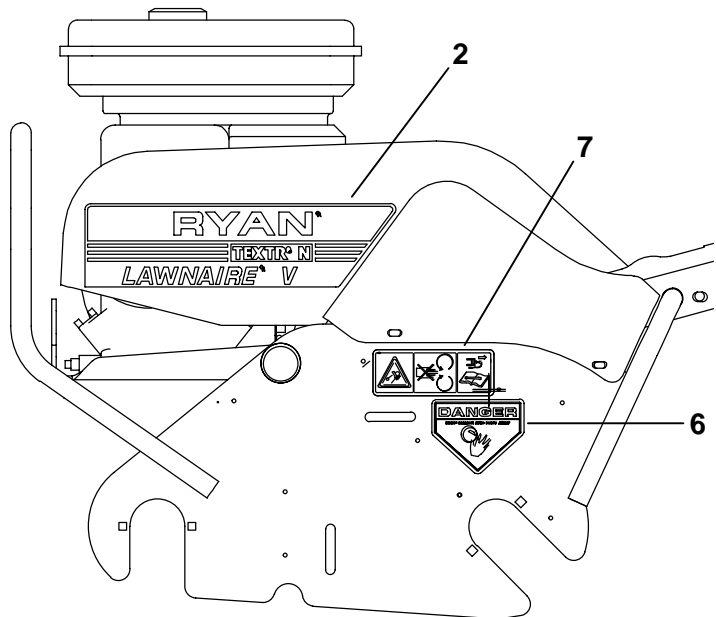
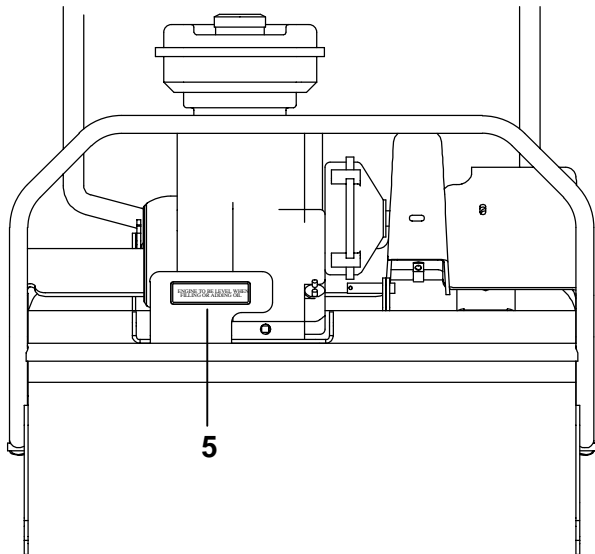
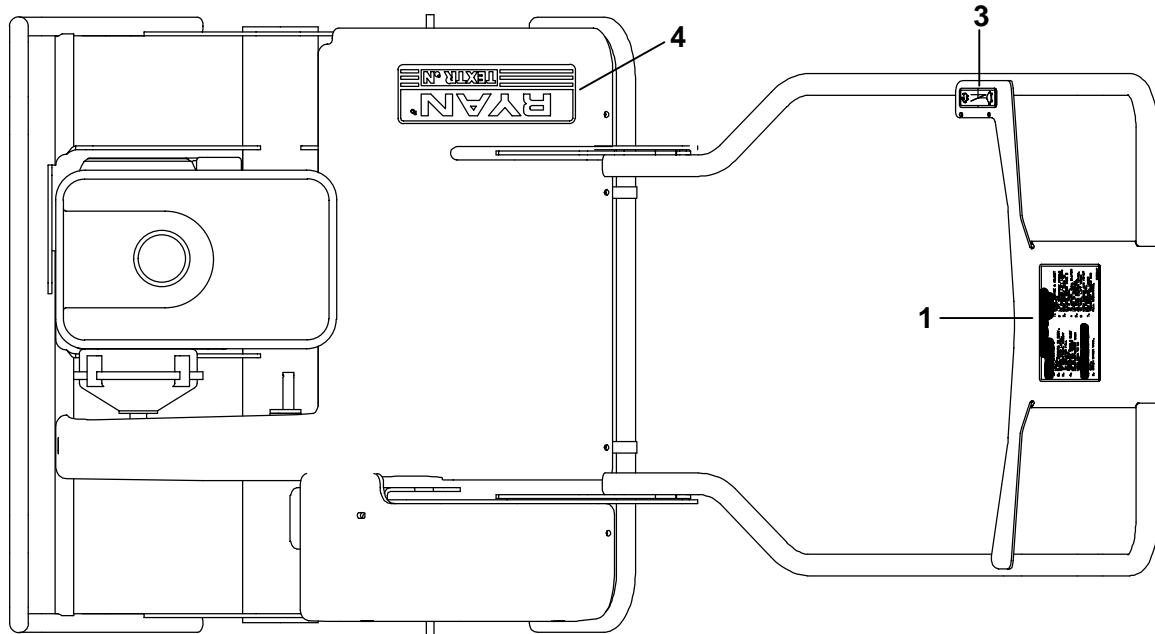
Ref. No.	Part No.	Description	No. Req'd	Notes
1	103867	Washer, flat, 5/16	6	
2	120219	Pin, cotter	1	
3	2702958	Wheel, 8 x 2.5	2	
4	2703026	Axle, transport	2	
5	2703148	Weight	2	
6	4117195	Cable, clutch	1	
7	2703611	Chain w/link, #40	1	
8	4113841	•Link, #40	1	
9	2703616.2	Bracket assembly, cover	1	
10	2703660	Cover, sprocket	1	
11	2703661	Cover, drive and tine	1	
12	2703692	Clip, tube	4	
13	304636	Pin, cotter	2	
14	306501	Screw, 5/16 x 1 1/2	4	
15	306981	Washer, flat, 3/8	4	
16	4109880.2	Latch	2	
17	4113746	Spring, extension	2	
18	4113972.2	Cover, chain	1	
19	4114111	Spring, torsion	2	
20	4114319	Belt, kevlar	1	
21	4114608	Bushing, shoulder, .390 ID X .71	2	
22	521608	Pulley, 4 inch	1	
23	522516	Mount, isolation	6	
24	523898	Spring, extension	1	
25	548175	Washer, flat, 1/4	2	
26	548324	Ring, external retaining	2	
27	548366	Key, 3/16 x 1 1/4	1	
28	548905	Screw, 3/8-16 x 1.00	2	
29	548911	Nut, 5/16	8	
30	548960	Sprocket, idler	2	
31	800017	Screw, 1/4-20 x 1.00	2	
32	800582	Screw, 1/4 x 3/4	10	
33	800698	Nut, 3/8	6	
34	800706	Nut, flange, 5/16	4	
35	800710	Screw, 5/16-18 x 1.00	2	
36	800711	Screw, 3/8-16 x 1.75	2	
37	800712	Screw, 3/8-16 x 2.00	3	
38	809265	Pin, hair	2	
39	813379	Pin, clevis, 1/4	1	
40	822474	Spacer, 3/8 x 3/4	2	

LAWNLAIRE IV DECAL GROUP 12.11



Ref. No.	Part No.	Description	No. Req'd	Notes
1	2703117	Decal, Operator Instructions	1	
2	4109022	Decal, Caution, Lock Handle	1	
3	4112442	Decal, Lawnlaire IV Stripe	1	
4	4115768	Decal, Throttle	1	
5	4115773	Decal, Ryan Stripe	1	
6	521787	Decal, Engine Oil Check	1	
7	835892	Decal, Danger, Hands and Feet	1	
8	840697	Decal, Warning, Hands In Belt	1	

LAWN AIRE V DECAL GROUP 12.12



Ref. No.	Part No.	Description	No. Req'd	Notes
1	2703117	Decal, Operator Instructions	1	
2	4112522	Decal, LawnAire V Stripe	1	
3	4115768	Decal, Throttle	1	
4	4115773	Decal, Ryan Stripe	1	
5	521787	Decal, Engine Oil Check	1	
6	835892	Decal, Danger, Hands and Feet	1	
7	840697	Decal, Warning, Hands in Belt	1	

INDEX

	Page		Page
C			
Controls		Setup	
Engine	9	Checking Clutch Cable	6
Briggs & Stratton	9	Checking Throttle Cable	6
Honda	10	Initial Belt Seating & Adjustment	6
Handle	9	Unpacking The Aerator	6
D			
Decals		Specifications	
Operation	4	Lawnaire IV	
Safety	4	Aeration	2
G			
General Information	Inside Front Cover	Dimensions	2
I			
Identification		Engines	2
Model No.	2	Speed	2
Serial No.	2	Weight	2
Serial Number	2	Wheels	2
Illustrated Parts	17	Lawnaire V	
O			
Operation	11	Aeration	3
Aerating	11	Dimensions	3
Pre-Operation Check List	11	Drive	3
P			
Parts		Engines	3
Lawnaire IV		Speed	3
Decals	36	Weight	3
Drum Group	18	Wheels	3
Frame Group	22-23	Storage	13
Handle Group	20-21	Storage Instructions	13
Main Group	24-25	T	
Wheel Group	19	Torque Chart	15
Lawnaire V		Specifications	15
Decals	37	Metric Hardware	15
Drum Group	26-27	Standard Hardware	15
Frame Group	32-33	Transporting	14
Handle Group	30-31	Removable Transport Wheels	14
Main Group	34-35	Tote Trailer	14
Tine Wheel Group	28-29		
S			
Service	12		
Touch Up Paint	12		

PART NUMBER INDEX

Part No.	Page No.						
		2703660	35	521787	36, 37
2702738	23	2703661	35	521856
2702741.2	18, 27	2703692	35	521857
2702742	19	2703756.2	23, 33	522361
2702877.2	23	2703757.2	23, 33	522480
2702958	35	2703758.2	23, 33	522481
2703004.2	29	2703759.2	23, 33	522516
2703019.2	33	2703785	27	523139
2703026	35	306367	33	523898
2703029.2	31	306501	35	524643
2703058.2	21	306981	35	545786
2703059.2	21	4109022	36	545887
2703060.2	31	4109880.2	35	548175
2703061.2	23	4112442	36	548225
2703067.2	21, 31	4112522	37	548324
2703070.2	21, 31	4113746	35	548366
2703101	33	4113841	35	548942
2703102.2	18	4113972.2	35	548960
2703108.2	27	4114111	35	548962
2703117	36, 37	4114319	35	809069
2703148	35	4114608	35	809265
2703157.2	18, 27	4115768	36, 37	813379
2703160	19, 29	4115773	36, 37	821274
2703185	21, 31	4117195	35	822474
2703341.2	33	517226	21, 31	830165
2703508	18, 19, 27, 29	518438	21, 31	835892
2703519	23, 33	521608	35	840697
2703600	35	521609	23, 33	841261
2703616.2	35	521679	21, 23, 31, 33		

TEXTRON GOLF, TURF AND SPECIALTY PRODUCTS WARRANTY

Textron Golf, Turf and Specialty Products warrants for one (1) year each new unit or serialized accessories except for the Envirojet high pressure injection system components which are warranted for one (1) year or 200 hours whichever occurs first, according to the following terms:

This warranty extends to the original retail purchaser only and commences on the date of original retail purchase. Accordingly this warranty is not transferable to any subsequent purchasers.

Any part of the unit or serialized accessory manufactured by Textron Golf, Turf and Specialty Products and found in the reasonable judgement of Textron Golf, Turf and Specialty Products to be defective in material or workmanship **will be repaired or replaced by** an authorized dealer without charge for parts and labor.

The unit or serialized accessory including any defective part must be returned to an authorized dealer within the warranty period. The expense of returning the unit or serialized accessory to an authorized dealer for warranty service and the expense of returning it back to the owner after repair or replacement will be paid for by the owner. Textron Golf, Turf and Specialty Products responsibility in respect to claims is limited to making the required repairs or replacements, and no claim of breach of warranty shall be cause for cancellation or rescission of the contract of sale of any unit or serialized accessory.

Proof of purchase will be required by the authorized dealer to substantiate any warranty claim. All warranty work must be performed by an authorized dealer.

Textron Golf, Turf and Specialty Products makes no warranty with respect to engines, tires, batteries, regulators, starter-generators, electric motors, or other parts not of their manufacture as such parts are usually warranted separately by their respective manufacturers.

This warranty does not include service items subject to normal wear, such as filters, spark plugs, ignition points, brake and clutch linings, belts, light bulbs, fuses, bearings, electrical contacts, etc.

This warranty does not cover any unit or serialized accessory that has been subject to misuse, neglect, negligence, or accident, or that has been operated or maintained in any way contrary to the operating or maintenance instructions as specified in the Operator's Manual. The warranty does not apply to any unit or serialized accessory that has been altered or modified so as to adversely affect the units operation, performance or durability or that has been altered or modified so as to change its intended use. In addition, the warranty does not extend to repairs made necessary by normal wear, or by the use of parts or accessories which in the reasonable judgement of Textron Golf, Turf and Specialty Products are either incompatible with the unit or adversely affect its operation, performance or durability.

Textron Golf, Turf and Specialty Products reserves the right to change or improve the design of any unit or serialized accessory without assuming any obligation to modify any unit previously manufactured.

ALL OTHER WARRANTIES OR CONDITIONS, EXPRESS OR IMPLIED, INCLUDING MERCHANTABILITY, FITNESS FOR A PARTICULAR PURPOSE OR OTHERWISE ARE EXPRESSLY EXCLUDED. THERE ARE NO WARRANTIES WHICH EXTEND BEYOND THE DESCRIPTION ON THE FACE HEREOF. ANY ACTION FOR BREACH OF WARRANTY MUST BE COMMENCED NO LATER THAN ONE YEAR FROM THE DATE OF DELIVERY.

TEXTRON GOLF, TURF AND SPECIALTY PRODUCTS OBLIGATION UNDER THIS WARRANTY IS STRICTLY AND EXCLUSIVELY LIMITED TO THE REPAIR OR REPLACEMENT OF DEFECTIVE PARTS, AND TEXTRON GOLF, TURF AND SPECIALTY PRODUCTS OBLIGATION DOES NOT ASSUME OR AUTHORIZE ANYONE TO ASSUME FOR THEM ANY OTHER OBLIGATION.

TEXTRON GOLF, TURF AND SPECIALTY PRODUCTS ASSUMES NO RESPONSIBILITY FOR INCIDENTAL, CONSEQUENTIAL OR OTHER DAMAGES INCLUDING, BUT NOT LIMITED TO, EXPENSE FOR GASOLINE, EXPENSE OF RETURNING THE UNIT TO AN AUTHORIZED DEALER AND EXPENSE OF RETURNING IT BACK TO THE OWNER. MECHANIC'S TRAVEL TIME, TELEPHONE OR TELEGRAM CHARGES, TRAILERING OR TOWING CHARGES, RENTAL OF A LIKE UNIT DURING THE TIME WARRANTY SERVICE IS BEING PERFORMED, TRAVEL, LODGING, LOSS OR DAMAGE TO PERSONAL PROPERTY, LOSS OF REVENUE, LOSS OF USE OF UNIT, LOSS OF TIME OR INCONVENIENCE.

This warranty gives you specific legal rights, and you may also have other rights which vary from state to state.

Textron Golf, Turf and Specialty Products
P.O. Box 82409
Lincoln, Nebraska 68501-9971

1-01

WARRANTY SERVICE

To make a claim under warranty, contact an authorized dealer immediately upon realizing a problem exists. We recommend having the warranty work performed by the dealer who originally sold you the unit; however, warranty work can be sought from any authorized dealer. Remember, your unit must be delivered to an authorized dealer within the warranty period, and all warranty work must be performed only by an authorized dealer. Proof of purchase will be required by the dealer to substantiate any warranty claim.

EXAMPLES OF ITEMS NOT COVERED UNDER WARRANTY

Provisions of the warranty will not apply to:

Normal service requirements arising during the warranty period, such as carburetor or ignition adjustment and cleaning or wear of a drive belt, brake, clutch linings or starter brushes.

Normal service work over and above the repair and replacement of defective parts.

Unit subject to misuse, neglect, negligence, or accident.

Units that have been altered or modified so as to adversely affect their operation, performance or durability or to change their intended use.

Repairs made necessary by the use of parts or accessories which are either incompatible with the unit or adversely affects the operation, performance or durability.

Units not operated or maintained in accordance with the instructions in the Operator's Manual.

Normal cleaning, adjusting or replacing of such items as filter, spark plugs, ignition points, light bulbs, fuses or starter drive.

Periodic checking or adding of lubricant to the unit or service check-up, tune-up or diagnosis.

Expense of delivering the unit to the dealer and expense of returning the unit back to the owner, mechanic's travel time, trailering or towing charges, or rental of a like unit during the time warranty repairs are being performed.

Engines, tires, batteries, regulators, starter-generators and electric motors manufactured by other than Textron Golf, Turf and Specialty Products are not covered under this warranty as such parts are usually warranted by their respective manufacturers.

This warranty applies only to the original retail purchaser. Second-owner or subsequently owned units are not covered under warranty.

OWNER'S OBLIGATION AND RESPONSIBILITY

Normal maintenance service and replacement of service items are the responsibility of the owner and as such are not considered defects in material or workmanship within the terms of the warranty. Individual operating habits and usage contribute to the need for maintenance service.

See your dealer for proper maintenance and care of your unit. Proper maintenance and care will assist in keeping your overall operating cost at a minimum.

To validate a warranty claim, it is the owner's responsibility to maintain all components in proper adjustment and service the unit as specified in the Operator's Manual. It is the owner's responsibility to provide proper lubrication for all components and to provide correct recommended fuel for the unit. It is the owner's responsibility to maintain the battery liquid level and charge as specified, as well as maintaining the correct pressure in the tires of this unit.



WARNING



The engine exhaust from this product contains chemicals known to the State of California to cause cancer, birth defects or other reproductive harm.

Advertisement



Advertencia

L'émission du moteur de ce matériel contient des produits chimiques que l'Etat de Californie considère être cancérigènes, provoquer des défauts congénitaux et d'autres dangers en matière de reproduction.

El estado de California hace saber que los gases de escape de este producto contienen productos químicos que producen cáncer, defectos de nacimiento y otros daños en el proceso de reproducción humana.