

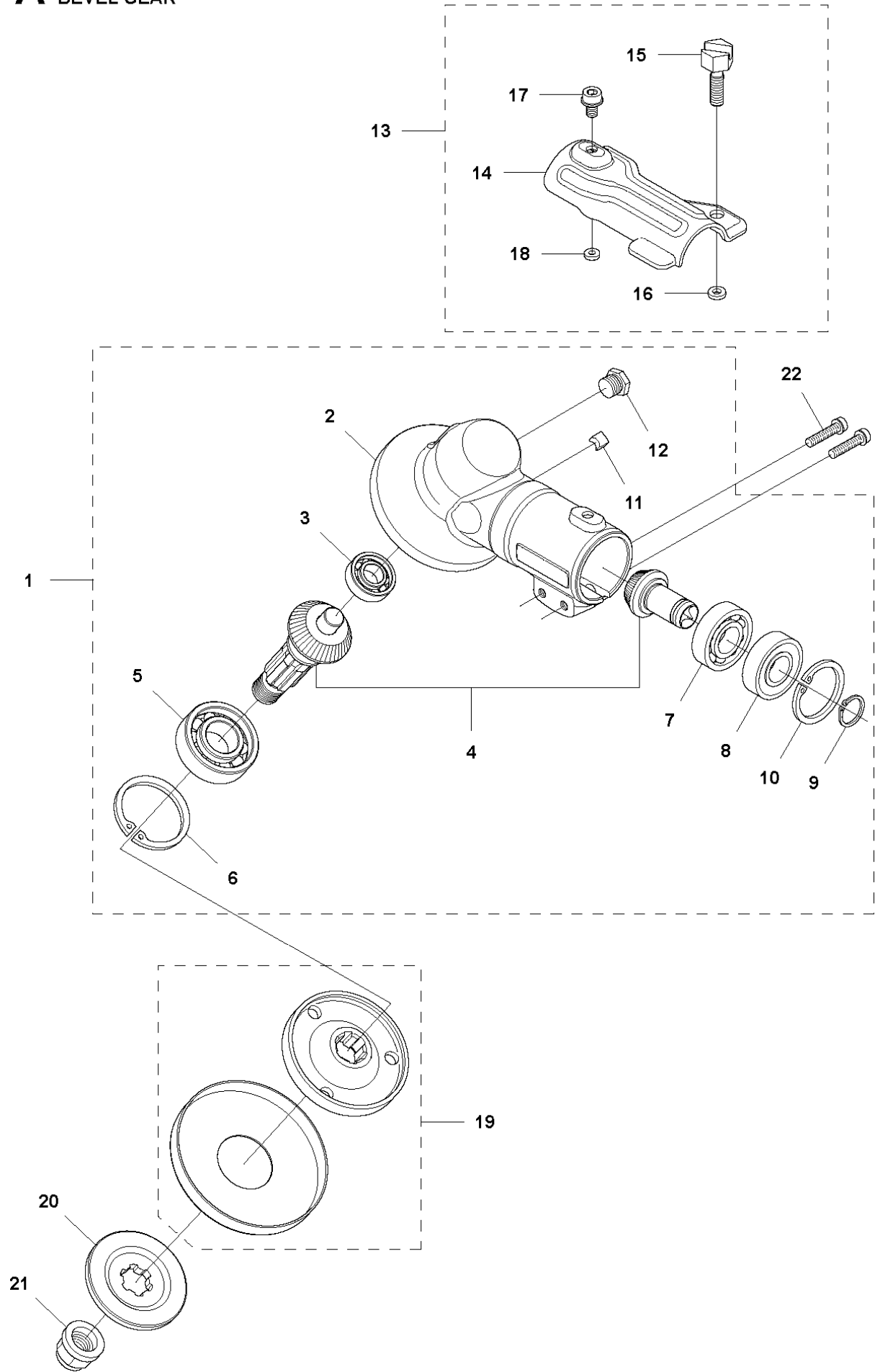


SPARE PARTS LIST

BRUSHCUTTERS/CLEARING SAWS

336 FR

A 135 R, 336 FR
BEVEL GEAR

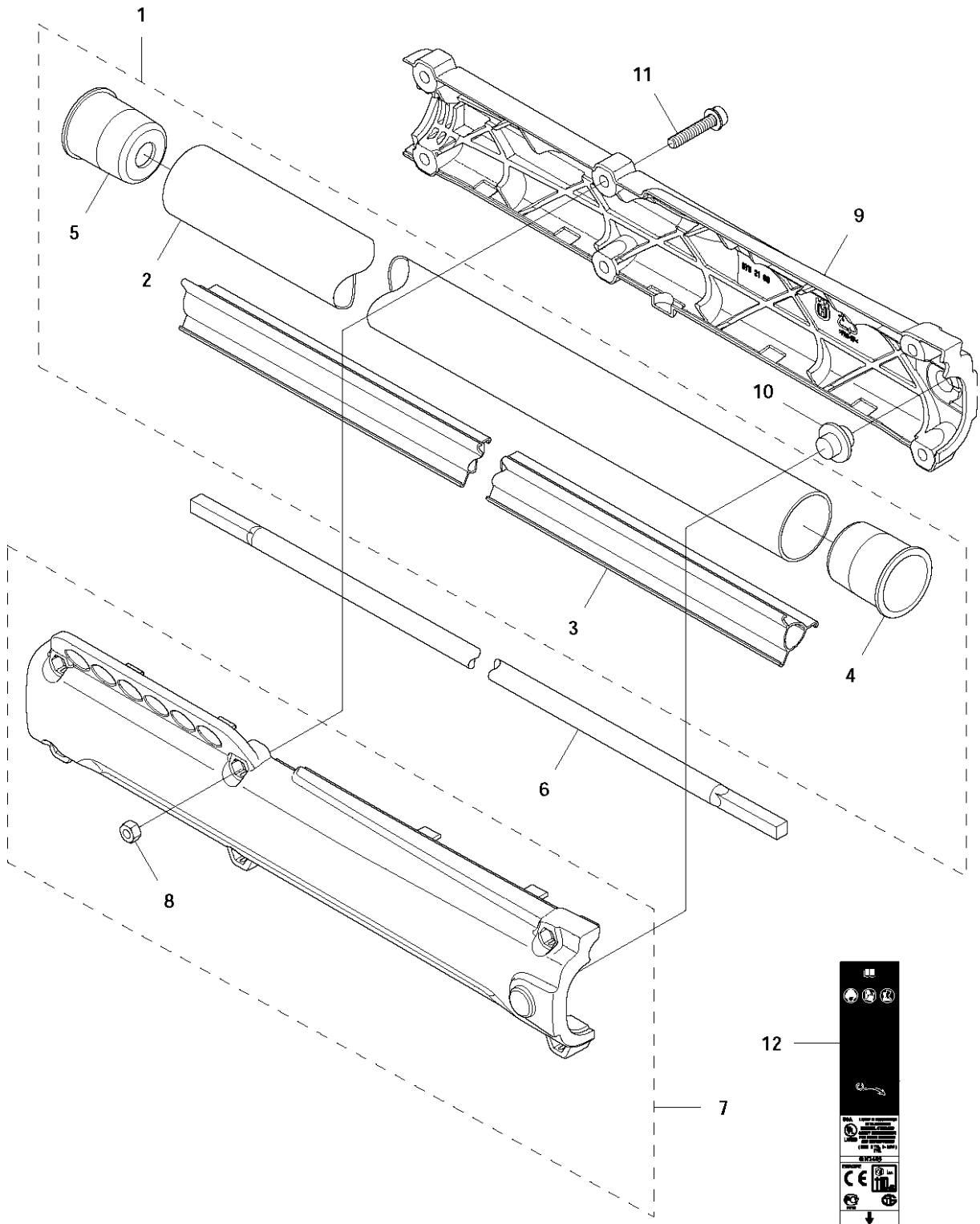


BEVEL GEAR

336 FR

| Ref | Part No | Description | Remark | QTY | KIT |
|-----|--------------|-----------------|--------------|-----|-------|
| 1 | 544 21 64-01 | GEAR | | 1 | |
| 2 | 537 29 59-02 | GEAR HOUSING | | 1 | 1 |
| 3 | 738 21 99-00 | BALL BEARING | | 1 | 1 |
| 4 | 505 13 33-01 | SPARE PARTS KIT | | 1 | 1 |
| 5 | 503 25 28-01 | BALL BEARING | | 1 | 1 |
| 6 | 735 31 31-10 | CIRCLIP | | 1 | 1 |
| 7 | 738 21 01-10 | BALL BEARING | | 1 | 1 |
| 8 | 738 21 01-12 | BALL BEARING | | 1 | 1 |
| 9 | 735 31 14-00 | CIRCLIP | | 1 | 1 |
| 10 | 735 31 28-10 | CIRCLIP | | 1 | 1 |
| 11 | 537 14 74-01 | MAGNET | | 1 | 1 |
| 12 | 503 20 15-01 | SCREW IHHM | | 1 | 1 |
| 13 | 574 30 68-01 | CLAMP | | 1 | |
| 14 | 544 08 76-01 | CLAMP | | 1 | 13, 1 |
| 15 | 537 18 95-01 | SCREW | | 1 | 13 |
| 16 | 732 21 16-01 | LOCK NUT | | 1 | 13 |
| 17 | 503 20 02-10 | SCREW IHSCFM | | 1 | 13 |
| 18 | 574 03 95-01 | LOCKING NUT | LOCKING RING | 1 | 13 |
| 19 | 537 35 14-02 | DRIVER | | 1 | |
| 20 | 537 34 35-01 | SUPPORT FLANGE | | 1 | |
| 21 | 502 29 11-01 | BLADE NUT | | 1 | |
| 22 | 503 20 03-25 | SCREW IHSCFM | | 2 | |

B1 336 FR
SHAFT

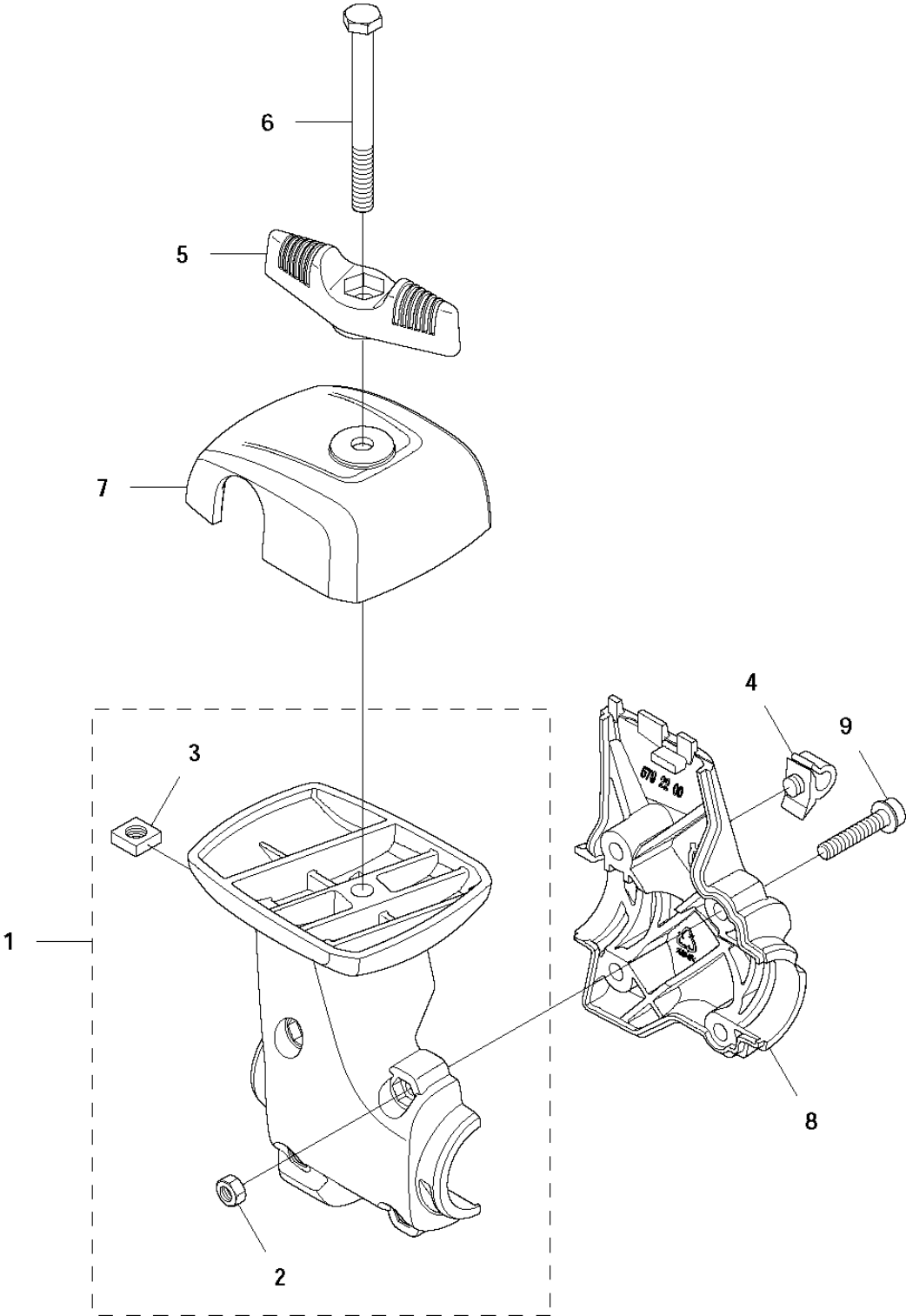


SHAFT

336 FR

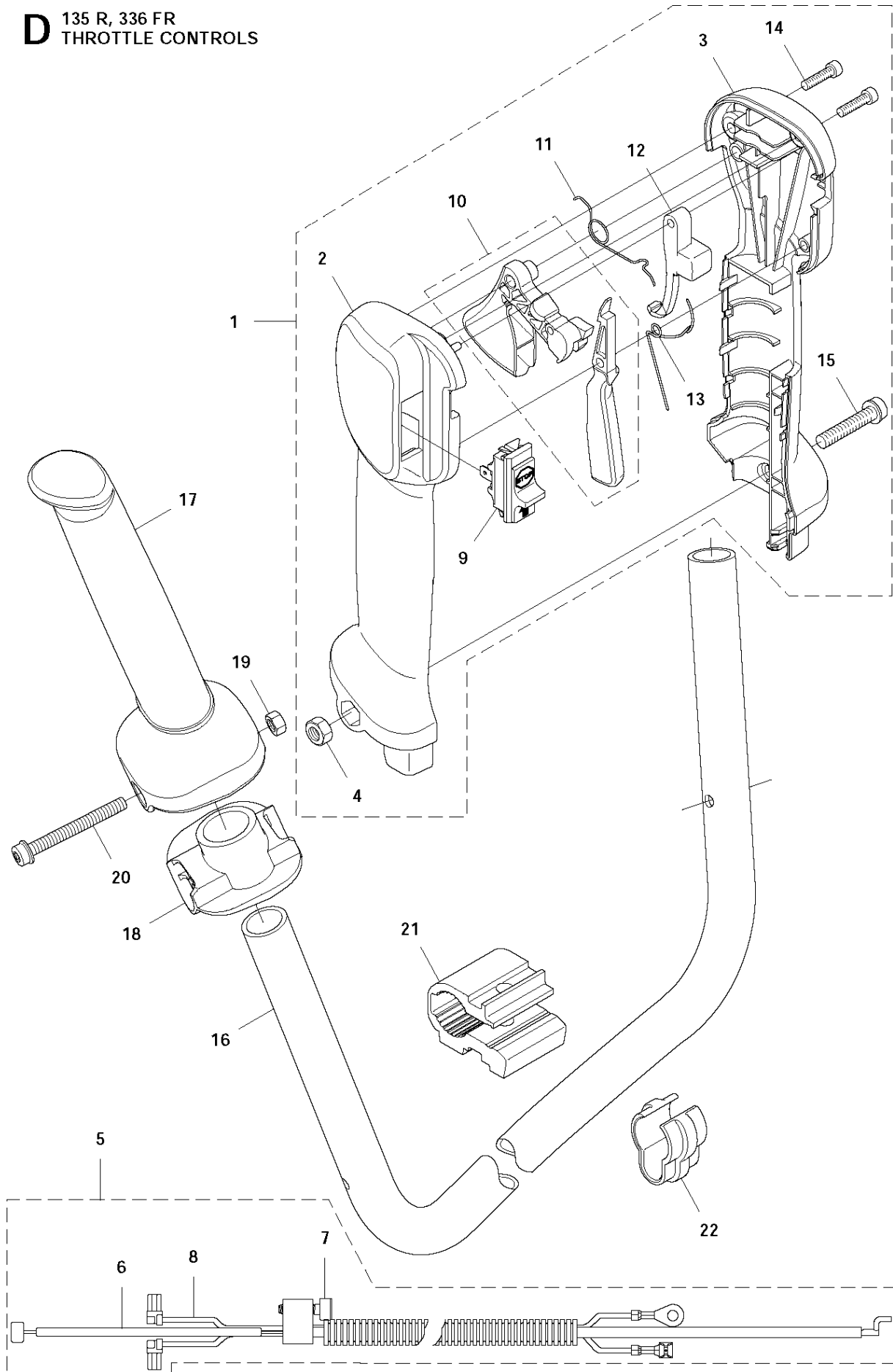
| Ref | Part No | Description | Remark | QTY | KIT |
|-----|--------------|-----------------|--------|-----|-----|
| 1 | 501 91 97-01 | TUBE ASSY | | 1 | |
| 2 | 537 21 41-01 | TUBE | | 1 | 1 |
| 3 | 537 31 39-01 | GUIDE | | 1 | 1 |
| 4 | 537 36 02-01 | SPACER | | 1 | 1 |
| 5 | 537 36 02-02 | SPACER | | 1 | 1 |
| 6 | 544 18 32-01 | DRIVE SHAFT | | 1 | |
| 7 | 576 47 82-01 | WEAR PROTECTION | | 1 | |
| 8 | 725 23 31-51 | SCREW | | 6 | 7 |
| 9 | 576 21 96-01 | WEAR PROTECTION | | 1 | |
| 10 | 544 10 17-02 | DAMPER | | 2 | |
| 11 | 503 20 07-78 | SCREW IHSCFM | | 6 | |
| 12 | 589 29 51-01 | LABEL | | 1 | |

C 135 R, 336 FR
TOWER



| Ref | Part No | Description | Remark | QTY | KIT |
|-----|--------------|-------------------|--------|-----|-----|
| 1 | 576 27 74-01 | HANDLEBAR BRACKET | | 1 | |
| 2 | 731 23 14-01 | HEXAGON NUT | | 4 | 1 |
| 3 | 502 19 71-01 | SQUARE NUT | | 1 | 1 |
| 4 | 502 28 61-01 | CLIP | | 1 | |
| 5 | 502 20 38-01 | KNOB | | 1 | |
| 6 | 725 23 83-51 | SCREW EHHM | | 1 | |
| 7 | 576 22 01-01 | COVER | | 1 | |
| 8 | 576 22 00-01 | LID | | 1 | |
| 9 | 503 20 07-78 | SCREW IHSCFM | | 4 | |

D 135 R, 336 FR
THROTTLE CONTROLS

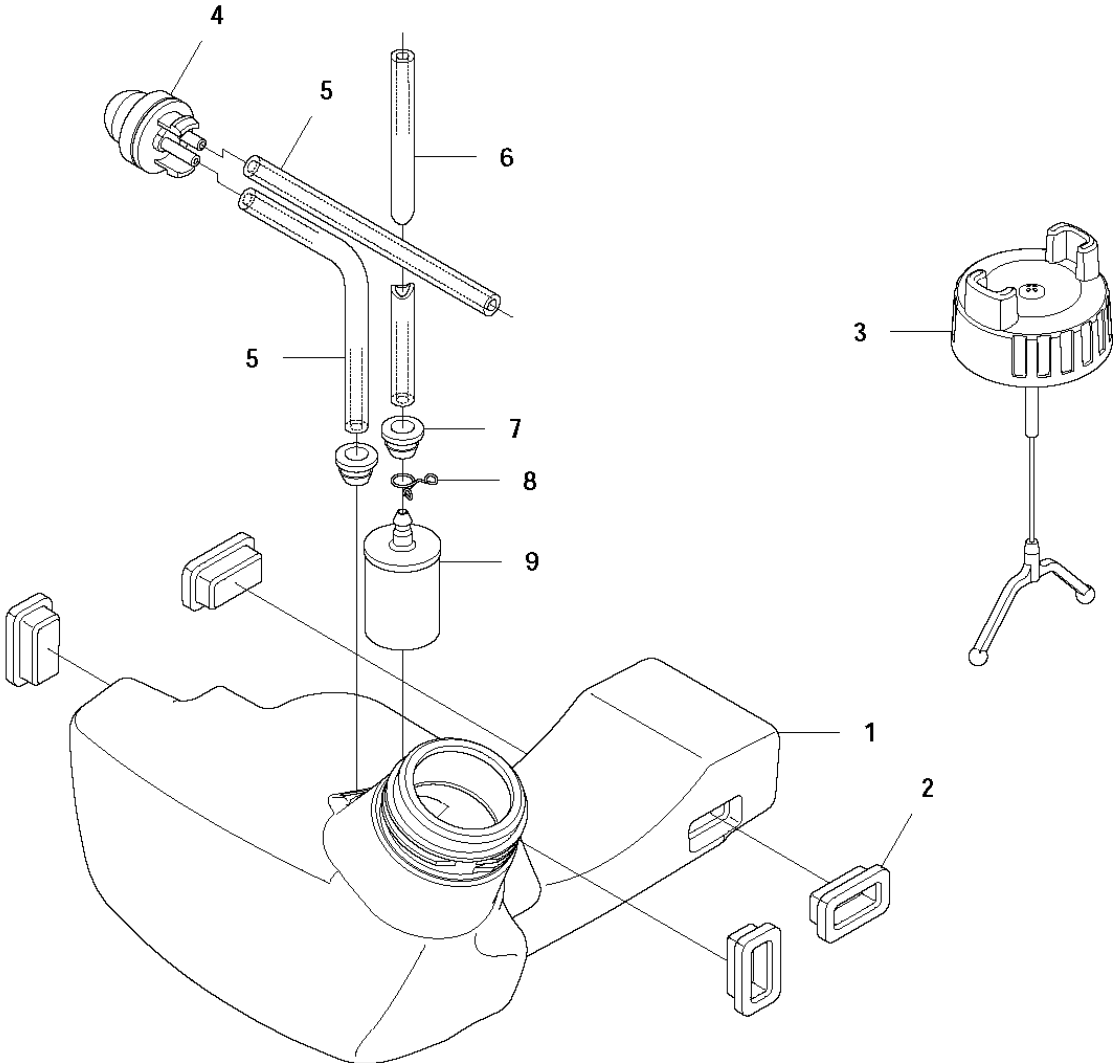


THROTTLE CONTROLS

336 FR

| Ref | Part No | Description | Remark | QTY | KIT |
|-----|--------------|----------------------|--------------------------------|-----|-----|
| 1 | 537 42 45-07 | HANDLE SYSTEM | | 1 | |
| 2 | 537 16 02-03 | HANDLE HALF | HARD GRIP, GREY | 1 | 1 |
| 2 | 537 16 02-09 | HANDLE HALF | SOFT GRIP, GREY + BLACK TPE | 1 | 1 |
| 3 | 537 16 03-01 | HANDLE HALF | HARD GRIP, GREY | 1 | 1 |
| 3 | 537 16 03-02 | HANDLE HALF | SOFT GRIP, GREY + BLACK TPE | 1 | 1 |
| 4 | 503 22 10-13 | HEXAGON NUT | | 1 | 1 |
| 5 | 537 35 96-02 | WIRING ASSY | | 1 | |
| 6 | 537 37 78-01 | THROTTLE WIRE ASSY | | 1 | 5 |
| 7 | 503 21 66-18 | SCREW IHSC T | | 1 | 5 |
| 8 | 503 87 85-07 | SHORT CIRCUIT CABLE | | 1 | 5 |
| 9 | 537 41 90-01 | SWITCH | | 1 | 1 |
| 10 | 506 49 77-01 | THROTTLE CONTROL | | 1 | 1 |
| 11 | 537 17 42-01 | SPRING THROTTLE TRIG | | 1 | 1 |
| 12 | 537 16 07-01 | STARTER THROTTLE LOC | | 1 | 1 |
| 13 | 537 17 43-01 | SPRING | | 1 | 1 |
| 14 | 503 21 66-18 | SCREW IHSC T | | 2 | 1 |
| 15 | 503 20 07-35 | SCREW IHSCFM | | 1 | 1 |
| 16 | 537 36 00-01 | HANDLEBAR | | 1 | |
| 17 | 537 17 28-01 | HANDLE | | 1 | |
| 18 | 537 17 29-01 | COVER | | 1 | |
| 19 | 731 23 14-01 | HEXAGON NUT | | 1 | |
| 20 | 503 20 02-45 | SCREW IHSCFM | | 1 | |
| 21 | 503 75 00-02 | HANDLEBAR BRACKET | | 1 | |
| 22 | 502 21 12-01 | STAPLE | | 1 | |

E 135 R, 336 FR
FUEL TANK

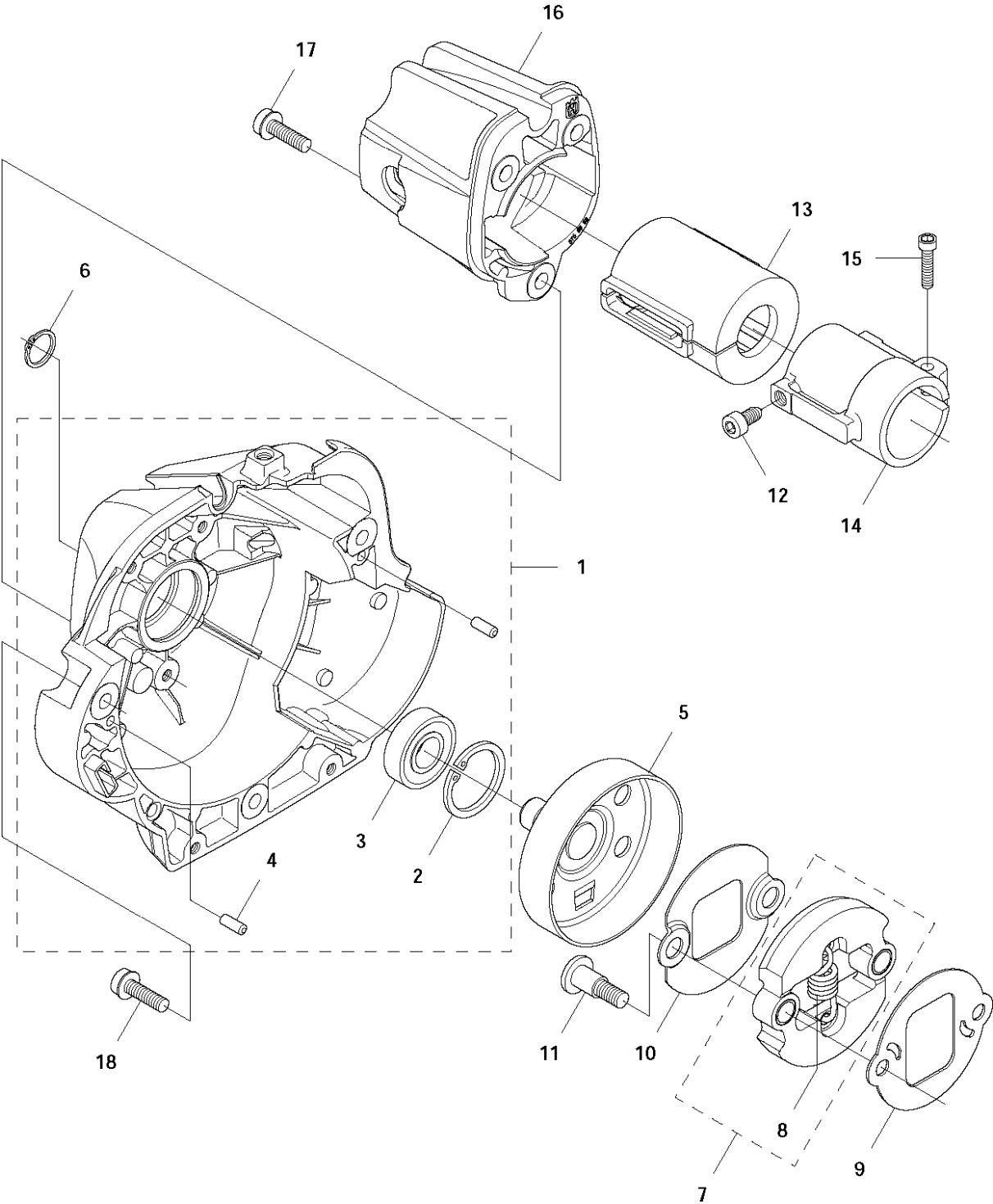


FUEL TANK

336 FR

| Ref | Part No | Description | Remark | QTY KIT |
|-----|--------------|-------------|--------|---------|
| 1 | 544 32 88-01 | TANK ASSY | | 1 |
| 2 | 503 91 10-01 | SUSPENSION | | 4 |
| 3 | 544 88 97-01 | TANK CAP | | 1 |
| 3 | 544 88 97-03 | TANK CAP | | 1 |
| 4 | 503 93 66-01 | PURGE | | 1 |
| 5 | 537 04 24-12 | FUEL HOSE | | 2 |
| 6 | 537 05 23-01 | FUEL HOSE | | 1 |
| 7 | 503 73 58-01 | BUSHING | | 2 |
| 8 | 537 18 49-01 | O-RING | | 1 |
| 9 | 503 44 32-01 | FUEL FILTER | | 1 |

F 135 R, 336 FR
CLUTCH

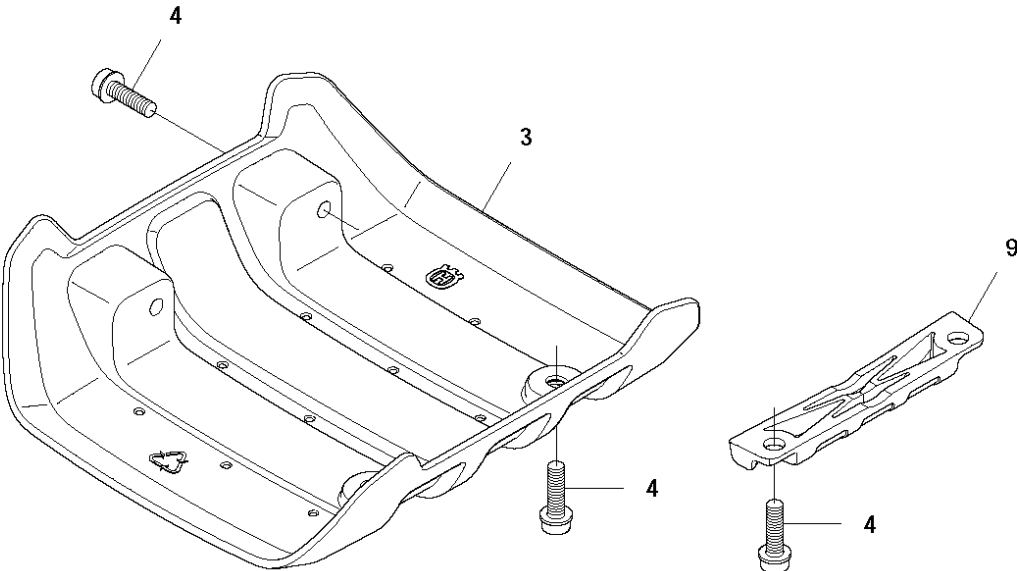
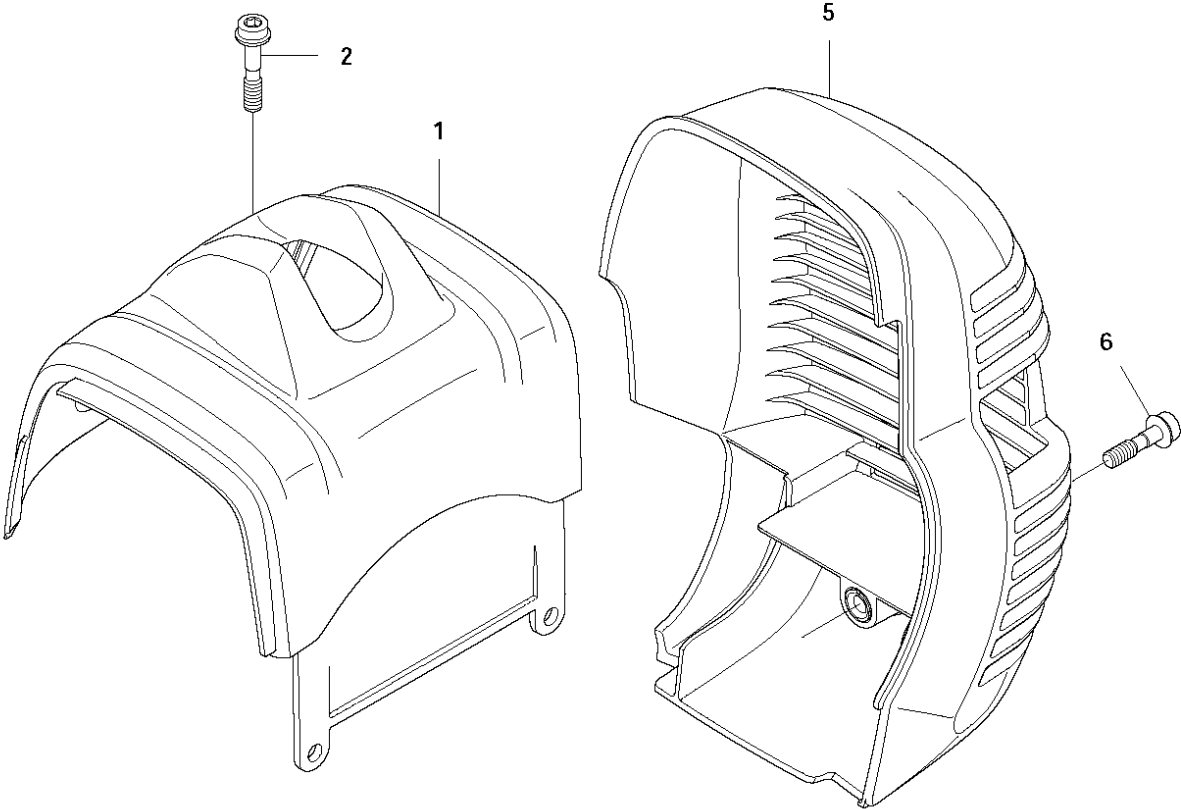


CLUTCH

336 FR

| Ref | Part No | Description | Remark | QTY | KIT |
|-----|--------------|-----------------------|--------|-----|-----|
| 1 | 574 84 29-01 | CLUTCH COVER ASSY | | 1 | |
| 2 | 735 31 28-10 | CIRCLIP | | 1 | 1 |
| 3 | 738 21 01-04 | BALL BEARING | | 1 | 1 |
| 4 | 503 24 07-02 | PARALLEL PIN | | 2 | 1 |
| 5 | 537 35 29-01 | CLUTCH DRUM | | 1 | |
| 6 | 735 31 14-00 | CIRCLIP | | 1 | |
| 7 | 537 34 04-01 | CLUTCH | | 1 | |
| 8 | 537 42 72-01 | SPRING | | 1 | 7 |
| 9 | 537 04 68-01 | WASHER | | 1 | |
| 10 | 537 41 57-01 | WASHER | | 1 | |
| 11 | 537 41 81-01 | SCREW | | 2 | |
| 12 | 503 21 74-11 | SCREW IH SCT | | 1 | |
| 13 | 537 32 27-01 | ANTIVIBRATION ELEMENT | | 1 | |
| 14 | 537 31 01-01 | COMPRESSION SLEEVE | | 1 | |
| 15 | 725 53 33-55 | SCREW IHSCM | | 1 | |
| 16 | 575 86 58-01 | COVER | | 1 | |
| 17 | 503 20 03-20 | SCREW IHSCFM | | 3 | |
| 18 | 537 41 81-01 | SCREW | | 3 | |

G 135 R, 336 FR
CYLINDER COVER

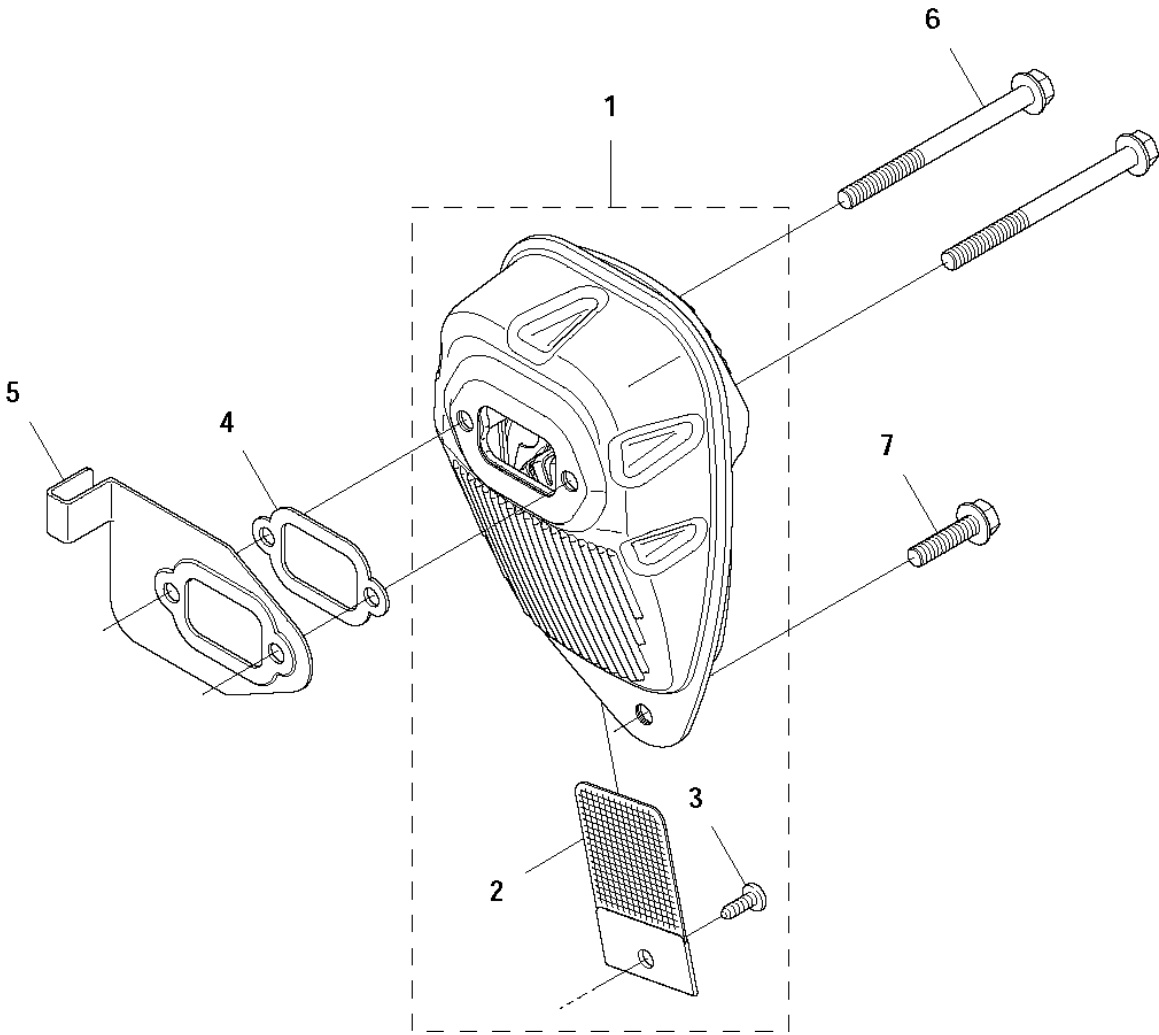


CYLINDER COVER

336 FR

| Ref | Part No | Description | Remark | QTY KIT |
|-----|--------------|---------------------|-------------------------------|---------|
| 1 | 575 86 50-02 | CYLINDER COVER ASSY | Spare part with Captive Screw | 1 |
| 2 | 573 99 43-05 | SCREW IHSCFMO | Captiv Screw | 1 |
| 3 | 575 86 57-01 | PROTECTIVE PLATE | 336 FR | 1 |
| 4 | 503 20 03-02 | SCREW IHSCFM | | 1 |
| 5 | 575 86 48-01 | MUFFLER GUARD | Spare part with Captive Screw | 1 |
| 6 | 574 47 70-03 | SCREW IHSCFMO | Captiv Screw | 2 |
| 7 | 576 99 86-14 | LABEL | 336 FR | 1 |
| 8 | 576 99 86-15 | LABEL | 135 R | 1 |
| 9 | 577 23 11-01 | DAMPER | 135 R | 1 |

H 135 R, 336 FR
MUFFLER

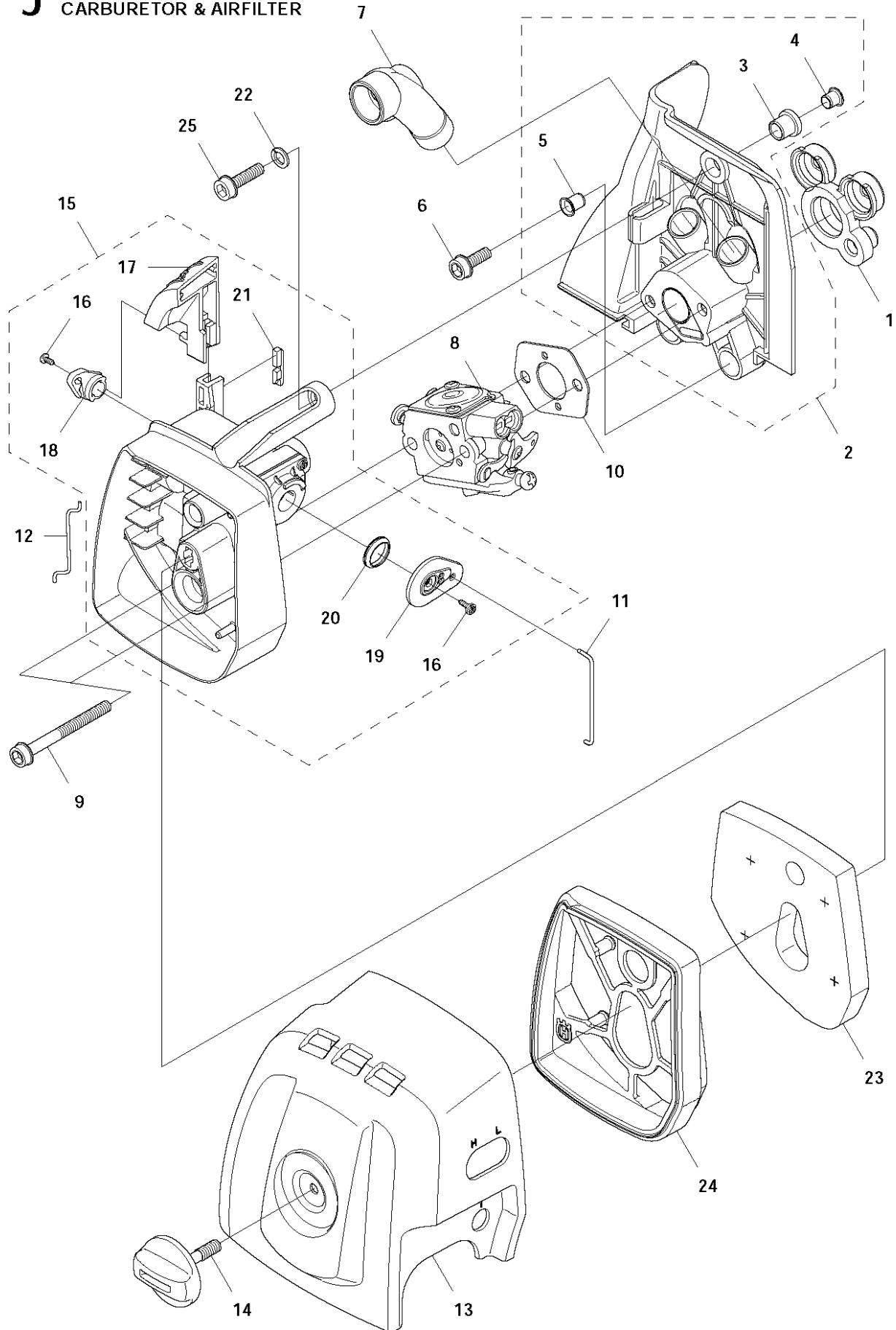


MUFFLER

336 FR

| Ref | Part No | Description | Remark | QTY | KIT |
|-----|--------------|-----------------------|--------|-----|-----|
| 1 | 505 40 86-01 | MUFFLER ASSY | CAT | 1 | |
| 2 | 544 11 68-01 | SPARK ARRESTER SCREEN | | 1 | 1 |
| 3 | 724 12 87-59 | SCREW CRPANM | | 1 | 1 |
| 4 | 537 33 31-01 | GASKET | | 1 | |
| 5 | 537 34 08-01 | AIR CONDUCTOR | | 1 | |
| 6 | 503 20 29-63 | SCREW IHSCFM | | 2 | |
| 7 | 503 20 03-20 | SCREW IHSCFM | | 1 | |

J 135 R, 336 FR
CARBURETOR & AIRFILTER

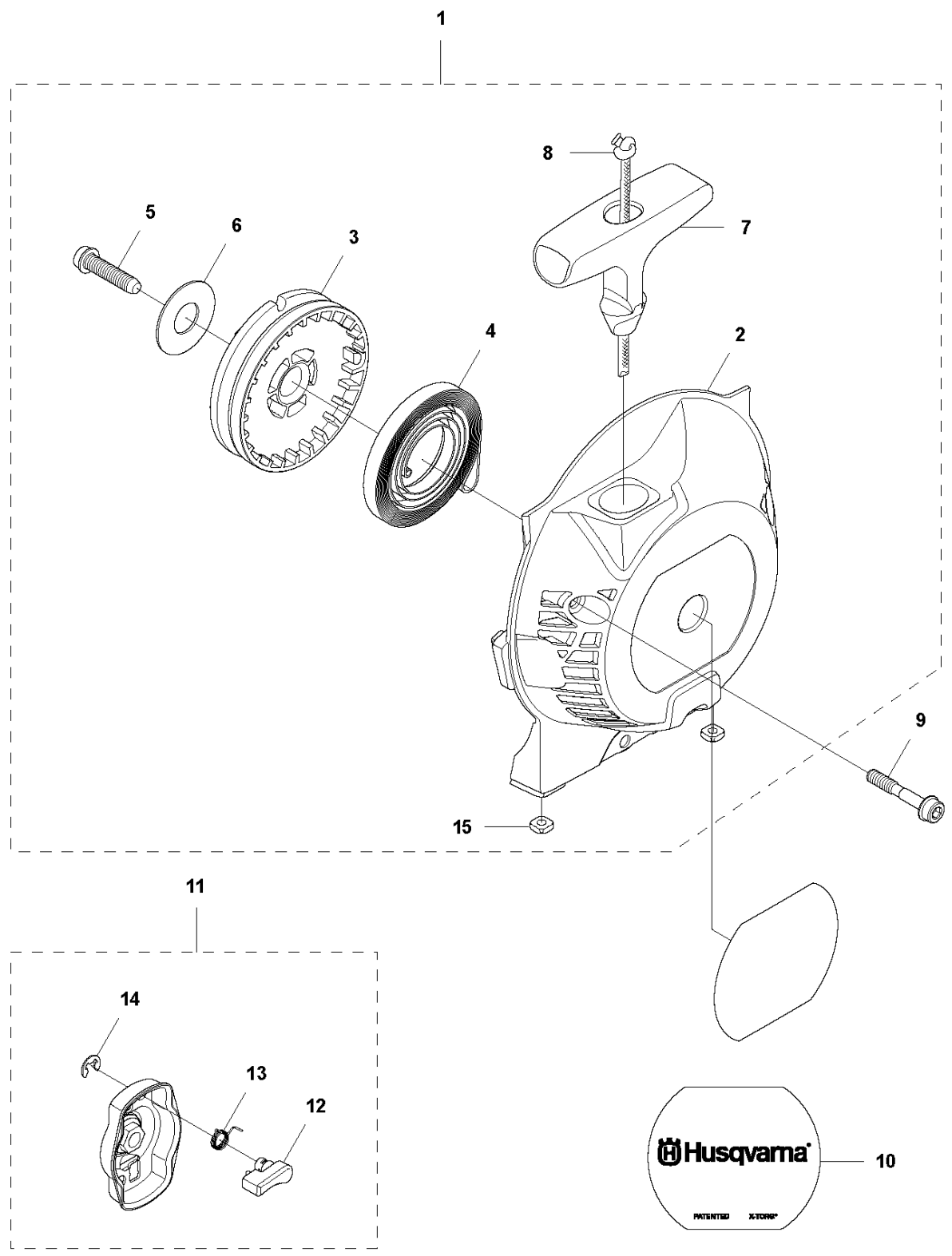


CARBURETOR & AIR FILTER

336 FR

| Ref | Part No | Description | Remark | QTY | KIT |
|-----|--------------|--------------------|---------------|-----|-----|
| 1 | 537 33 43-01 | INLET PIPE | | 1 | |
| 2 | 537 37 12-02 | INSULATION WALL | | 1 | |
| 3 | 537 37 11-01 | SLEEVE | | 1 | 2 |
| 4 | 544 01 91-01 | TUBULAR RIVET | | 1 | 2 |
| 5 | 537 37 38-03 | TUBULAR RIVET | | 2 | 2 |
| 6 | 503 20 03-16 | SCREW IHSCFM | | 2 | |
| 7 | 537 34 13-01 | AIR DUCT | | 1 | |
| 8 | 575 72 90-01 | CARBURETTOR | Zama C1Q-EL45 | 1 | |
| 9 | 503 21 75-50 | SCREW IHSCFT | | 2 | |
| 10 | 503 49 71-01 | GASKET | | 1 | |
| 11 | 537 34 90-01 | LEVER | | 1 | |
| 12 | 544 37 27-01 | SLEEVING BRACKET | | 1 | |
| 13 | 575 84 18-01 | FILTER COVER | | 1 | |
| 14 | 537 21 32-09 | KNOB | | 1 | |
| 15 | 575 86 37-02 | FILTER HOLDER ASSY | | 1 | |
| 16 | 503 21 29-06 | SCREW CCRPANT | | 2 | 15 |
| 17 | 575 84 15-01 | CHOKE CONTROL | | 1 | 15 |
| 18 | 575 84 16-02 | CHOKE LEVER | | 1 | 15 |
| 19 | 544 01 46-01 | LEVER | | 1 | 15 |
| 20 | 544 01 47-01 | BELLOWS | | 1 | 15 |
| 21 | 544 02 58-01 | BAR | | 1 | 15 |
| 22 | 503 23 10-06 | WASHER | | 1 | |
| 23 | 576 21 53-01 | FILTER | | 1 | |
| 24 | 575 86 38-01 | FRAME | | 1 | |
| 25 | 503 20 03-20 | SCREW IHSCFM | | 1 | |

K1 135 R, 336 FR, 336 FRD
STARTER

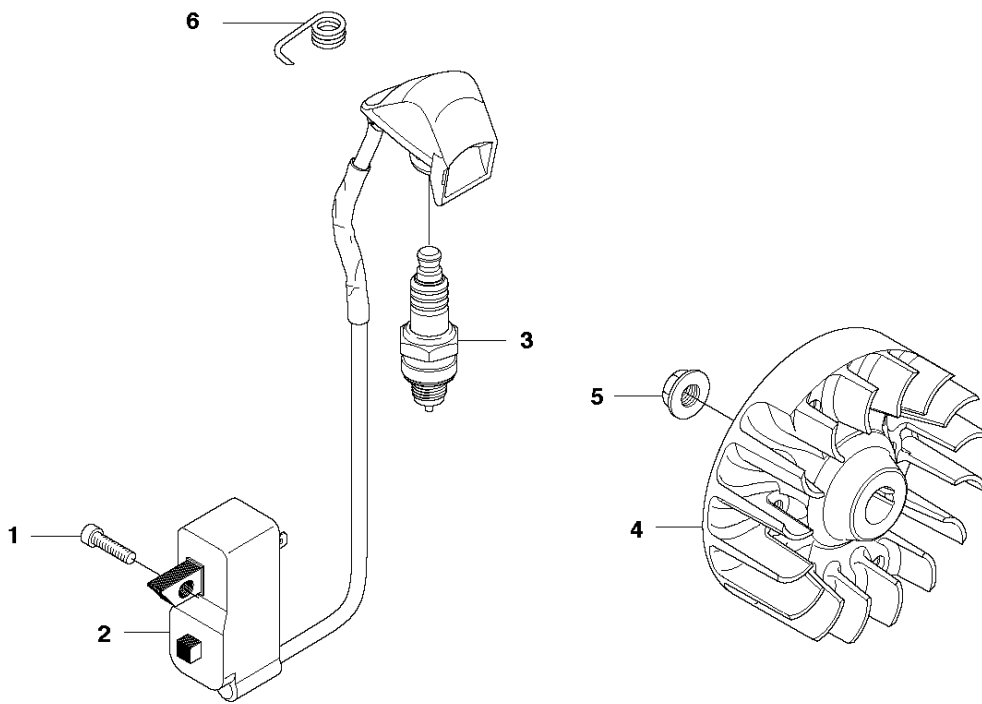


STARTER

336 FR

| Ref | Part No | Description | Remark | QTY KIT | |
|-----|--------------|-----------------|--------------------------------------|---------|----|
| 1 | 575 84 08-01 | STARTER ASSY | | 1 | |
| 2 | 575 84 09-01 | STARTER HOUSING | Spare part adapted for captive screw | 1 | 1 |
| 3 | 537 32 50-03 | STARTER PULLEY | | 1 | 1 |
| 4 | 503 85 99-01 | RECOIL SPRING | | 1 | 1 |
| 5 | 503 21 88-76 | SCREW IHST | | 1 | 1 |
| 6 | 503 23 00-80 | WASHER | | 1 | 1 |
| 7 | 537 23 25-01 | STARTER HANDLE | | 1 | 1 |
| 8 | 505 30 51-25 | STARTER CORD | | 1 | 1 |
| 9 | 573 99 43-05 | SCREW IHSCFMO | Captive screw | 3 | |
| 10 | 577 22 36-01 | DECAL | | 1 | |
| 11 | 503 87 33-05 | BRIDGE | | 1 | |
| 12 | 503 87 35-02 | STARTER PAWL | | 2 | 11 |
| 13 | 503 87 36-01 | SPRING | | 2 | 11 |
| 14 | 735 31 08-20 | E-CLIP | | 2 | 11 |
| 15 | 503 22 65-04 | SQUARE NUT | | 2 | 1 |

L 336FR
IGNITION

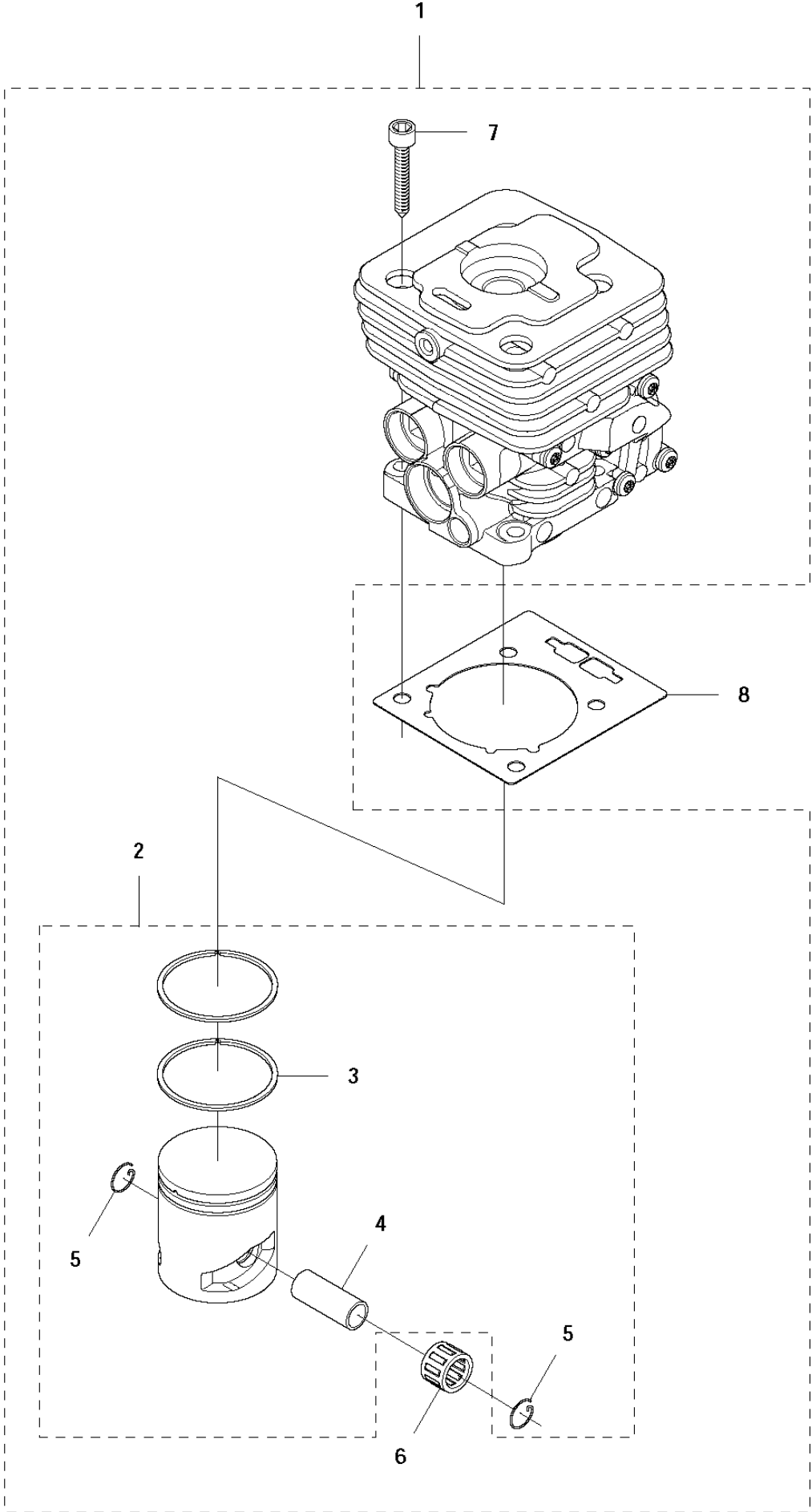


IGNITION SYSTEM

336 FR

| Ref | Part No | Description | Remark | QTY KIT |
|-----|--------------|--------------------|--------|---------|
| 1 | 503 20 25-16 | SCREW IHSCM | | 2 |
| 2 | 544 12 70-02 | IGNITION MODULE | | 1 |
| 3 | 503 23 51-09 | SPARK PLUG | | 1 |
| 4 | 537 24 96-01 | FLYWHEEL | | 1 |
| 5 | 731 71 16-51 | HEXAGON NUT FLANGE | | 1 |
| 6 | 537 23 93-01 | CONTACT SPRING | | 1 |

M 135 R, 336 FR
CYLINDER & PISTON

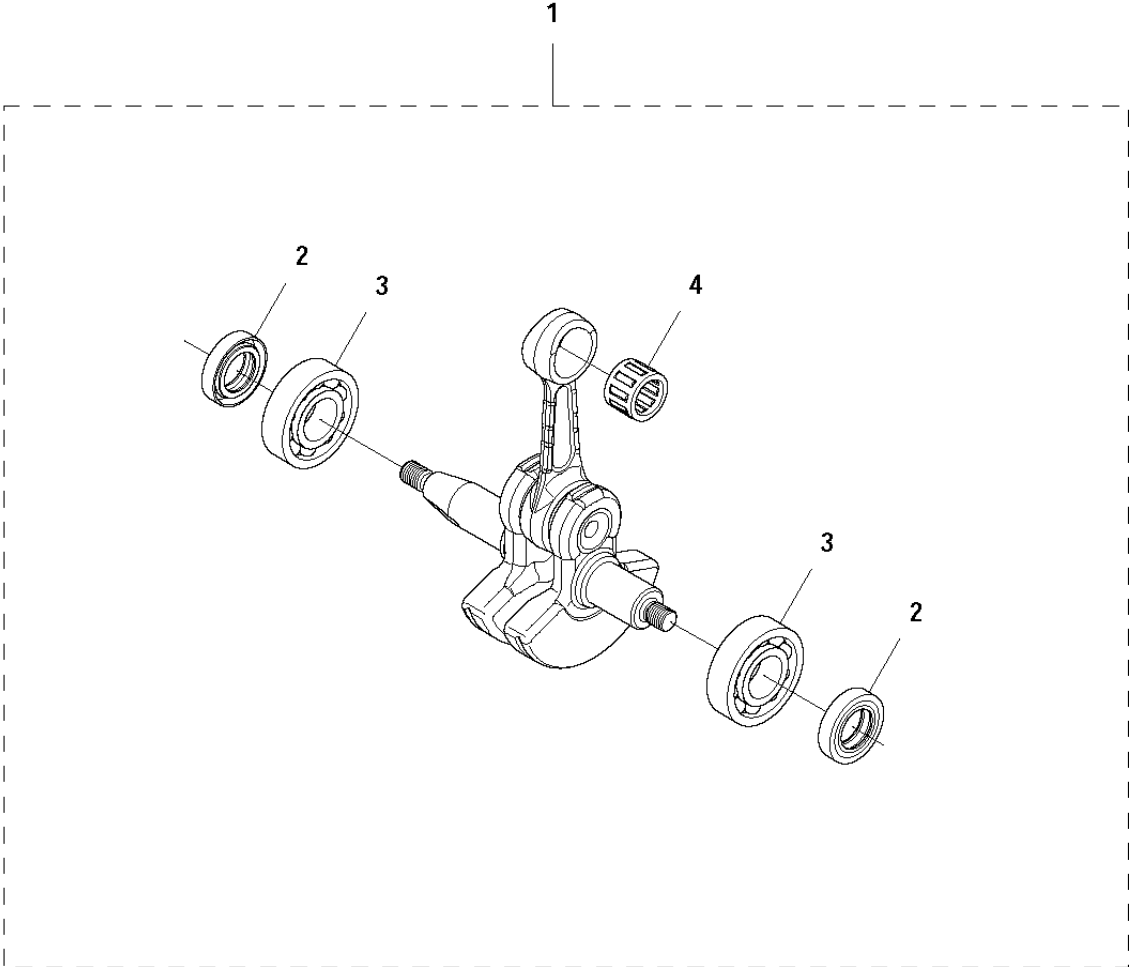


CYLINDER PISTON

336 FR

| Ref | Part No | Description | Remark | QTY | KIT |
|-----|--------------|----------------|--------|-----|-----|
| 1 | 544 40 06-01 | CYLINDER ASSY | | 1 | |
| 2 | 585 99 83-01 | PISTON ASSY | | 1 | 1 |
| 3 | 503 28 90-54 | PISTON RING | | 2 | 1,2 |
| 4 | 503 28 91-19 | PISTON PIN | | 1 | 1,2 |
| 5 | 737 44 10-00 | SNAP RING | | 2 | 1,2 |
| 6 | 503 41 41-01 | NEEDLE BEARING | | 1 | 1 |
| 7 | 725 53 33-55 | SCREW IHSCM | | 4 | 1 |
| 8 | 537 33 30-02 | GASKET | | 1 | |

N 135 R, 336 FR
CRANK SHAFT

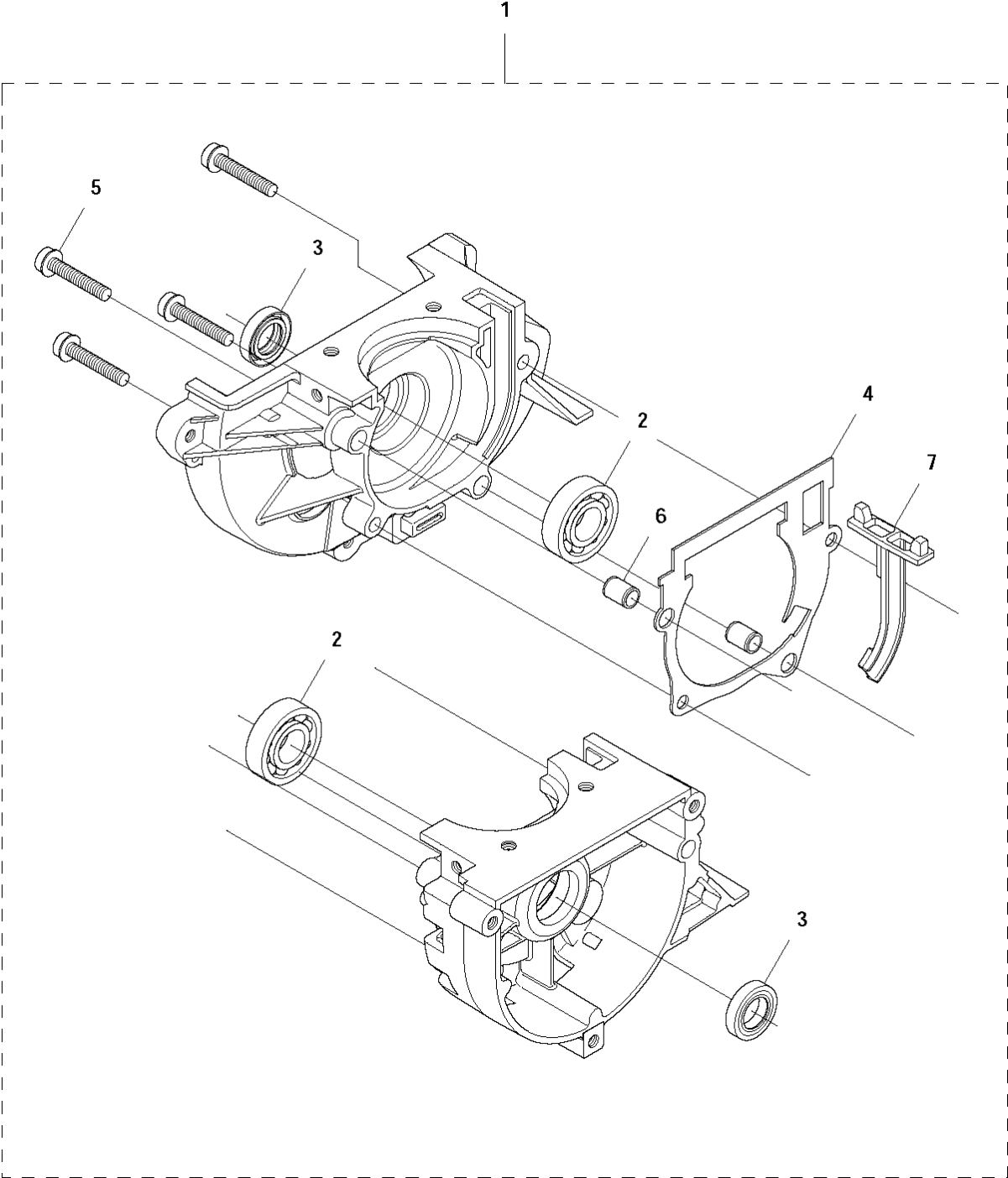


CRANKSHAFT

336 FR

| Ref | Part No | Description | Remark | QTY | KIT |
|-----|--------------|-----------------|--------|-----|-----|
| 1 | 544 03 90-01 | CRANKSHAFT ASSY | | 1 | |
| 2 | 503 26 02-02 | SEALING RING | | 2 | 1 |
| 3 | 738 21 01-10 | BALL BEARING | | 2 | 1 |
| 4 | 503 41 41-01 | NEEDLE BEARING | | 1 | 1 |

P 135 R, 336 FR
CRANKCASE



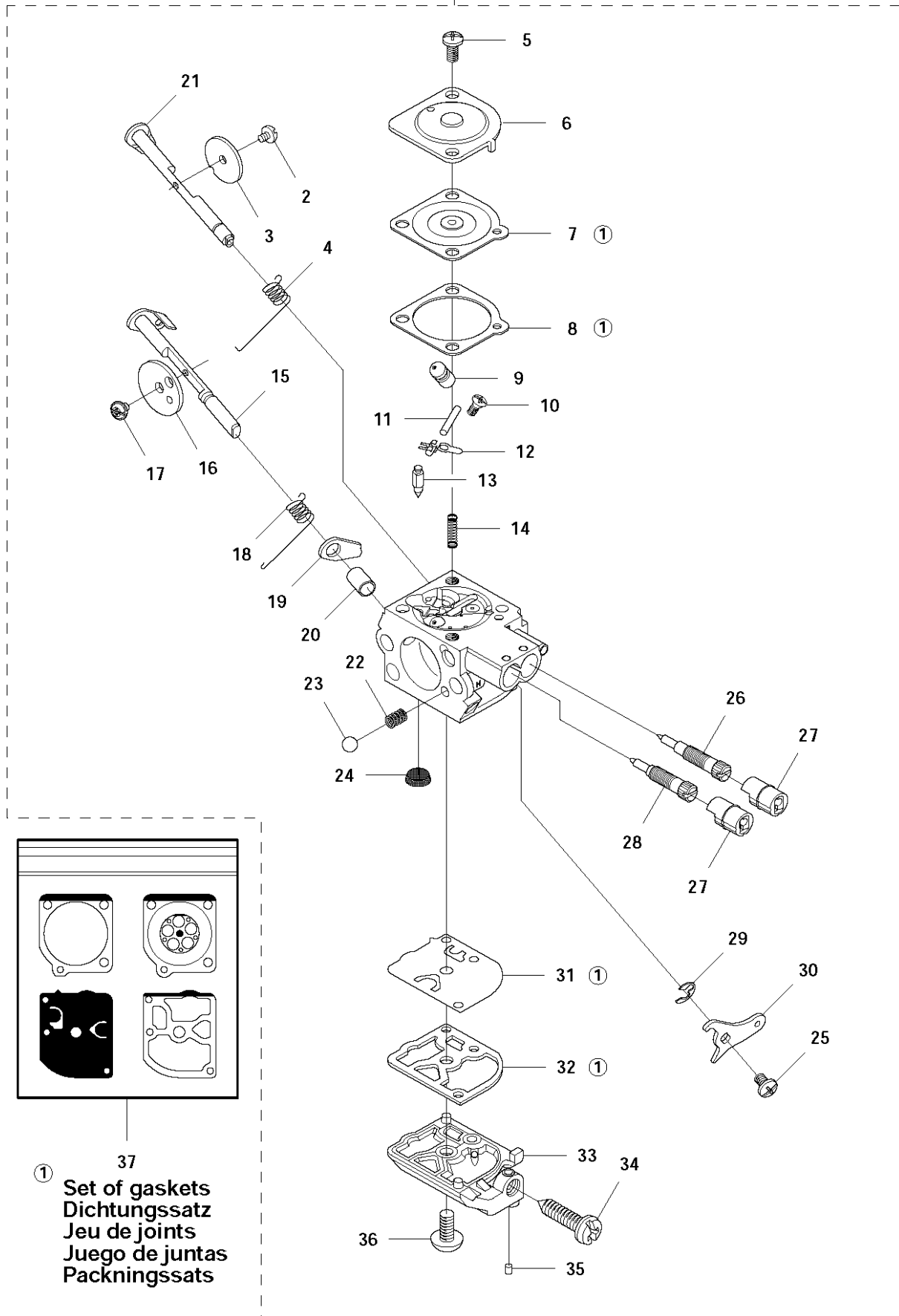
CRANKCASE

336 FR

| Ref | Part No | Description | Remark | QTY | KIT |
|-----|--------------|----------------|--------|-----|-----|
| 1 | 585 38 22-01 | CRANKCASE ASSY | | 1 | |
| 2 | 738 21 01-10 | BALL BEARING | | 2 | 1 |
| 3 | 503 26 02-02 | SEALING RING | | 2 | 1 |
| 4 | 537 33 29-01 | GASKET | | 1 | 1 |
| 5 | 503 20 02-30 | SCREW IHSCFM | | 4 | 1 |
| 6 | 501 27 08-01 | GUIDE BUSHING | | 2 | 1 |
| 7 | 537 32 42-01 | INSERT | | 1 | 1 |

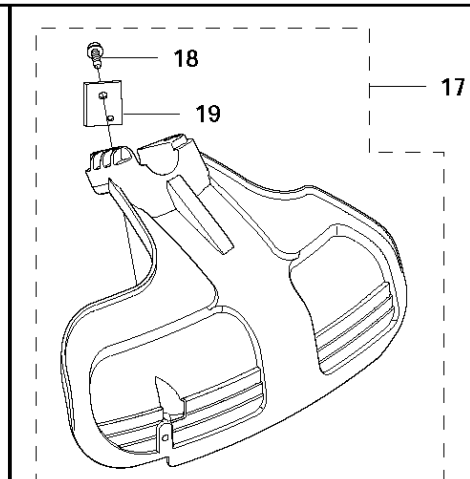
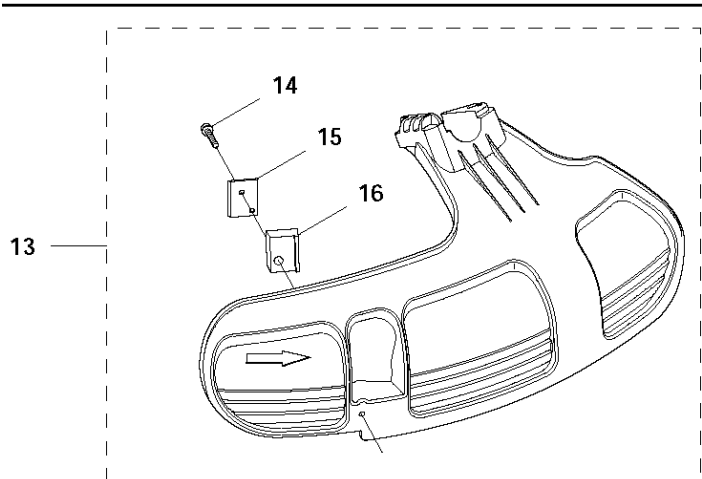
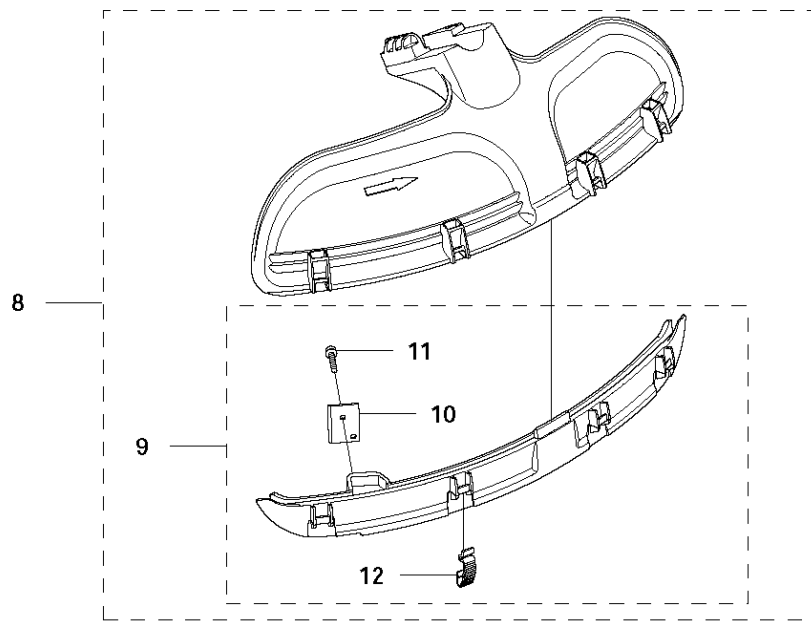
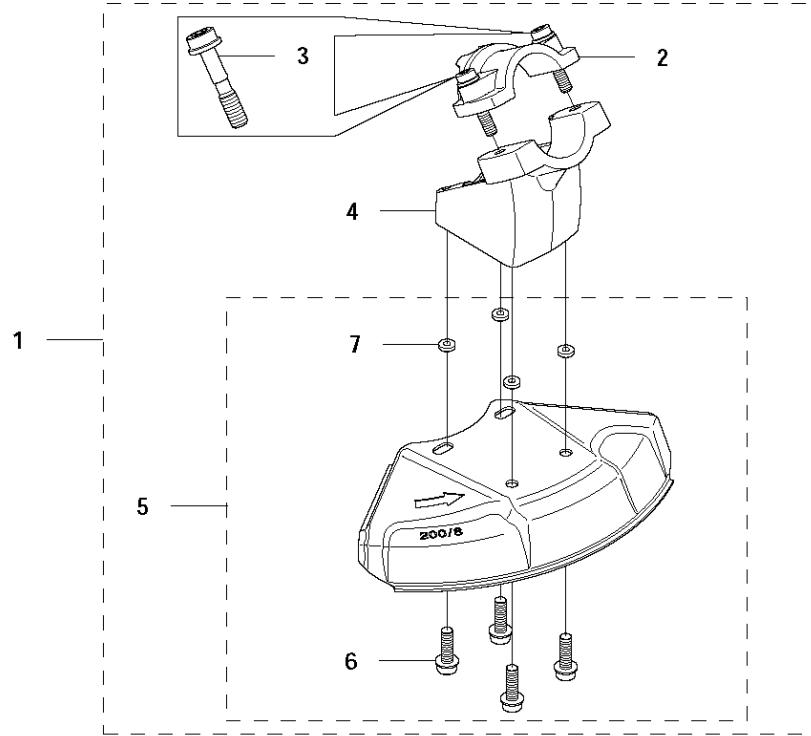
Q 135 R, 336 FR
CARBURETOR

Zama C1Q-EL45



| Ref | Part No | Description | Remark | QTY | KIT |
|-----|--------------|---------------------|----------------|-----|------|
| 1 | 575 72 90-01 | CARBURETTOR | Zama C1Q-EL45 | 1 | |
| 2 | 503 47 92-01 | SCREW | | 1 | 1 |
| 3 | 537 41 72-01 | VALVE | | 1 | 1 |
| 4 | 544 37 24-01 | SPRING | | 1 | 1 |
| 5 | 503 48 05-01 | SCREW | | 1 | 1 |
| 6 | 503 97 43-01 | COVER | | 1 | 1 |
| 7 | 504 10 56-01 | DIAPHRAGM | | 1 | 1,37 |
| 8 | 537 02 04-01 | GASKET | | 1 | 1,37 |
| 9 | 537 38 73-01 | NOZZLE ASSY | | 1 | 1 |
| 10 | 503 48 01-01 | SCREW | | 1 | 1 |
| 11 | 503 48 00-01 | PIN RETAINING SCREW | | 1 | 1 |
| 12 | 503 66 59-01 | LEVER | | 1 | 1 |
| 13 | 503 47 97-01 | VALVE | | 1 | 1 |
| 14 | 537 02 03-01 | SPRING | | 1 | 1 |
| 15 | 501 32 71-01 | SHAFT ASSY | | 1 | 1 |
| 16 | 537 37 03-01 | VALVE | | 1 | 1 |
| 17 | 503 48 18-01 | SCREW | | 1 | 1 |
| 18 | 544 37 26-01 | SPRING | | 1 | 1 |
| 19 | 544 37 25-01 | LEVER | | 1 | 1 |
| 20 | 544 42 70-01 | COLLAR | | 1 | 1 |
| 21 | 504 10 27-01 | SHAFT ASSY | | 1 | 1 |
| 22 | 537 01 26-01 | SPRING | | 1 | 1 |
| 23 | 537 01 25-01 | BALL | | 1 | 1 |
| 24 | 503 48 13-01 | STRAINER | | 1 | 1 |
| 25 | 503 47 90-01 | SCREW | | 1 | 1 |
| 26 | 537 41 69-01 | SCREW | | 1 | 1 |
| 27 | 537 41 70-01 | LIMITER CAP | | 1 | 1 |
| 28 | 537 38 75-01 | SCREW | | 1 | 1 |
| 29 | 537 38 52-01 | CLIP | | 1 | 1 |
| 30 | 576 27 02-01 | THROTTLE LEVER | | 1 | 1 |
| 31 | 537 02 00-01 | DIAPHRAGM PUMP | | 1 | 1,37 |
| 32 | 537 02 01-01 | GASKET | | 1 | 1,37 |
| 33 | 537 02 02-01 | COVER | | 1 | 1 |
| 34 | 537 02 07-01 | SCREW | | 1 | 1 |
| 35 | 503 48 11-01 | PIECE | | 1 | 1 |
| 36 | 503 47 96-01 | SCREW | | 1 | 1 |
| 37 | 531 00 45-52 | GASKET KIT | Set of gaskets | 1 | |

R1 135 R, 336 FR
ACCESSORIES

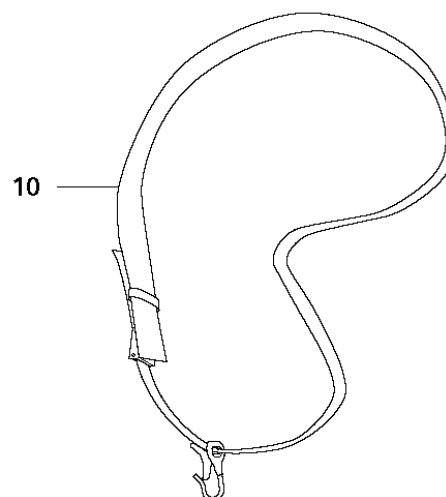
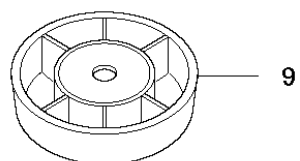
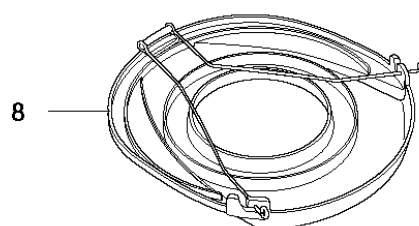
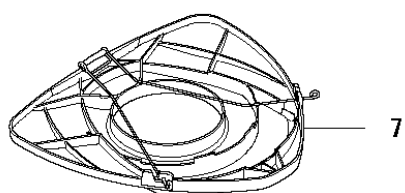
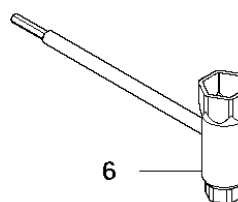
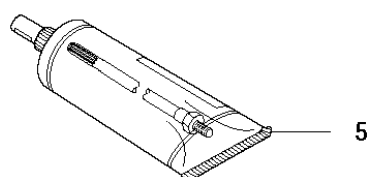
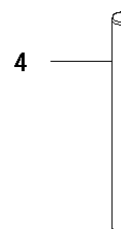
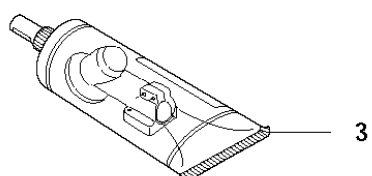
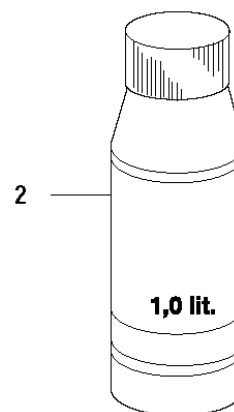
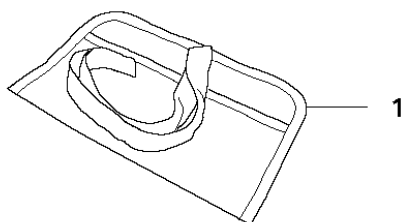


ACCESSORIES

336 FR

| Ref | Part No | Description | Remark | QTY | KIT |
|-----|--------------|--------------------|-------------------------------|-----|-----|
| 1 | 501 32 04-02 | SAW BLADE GUARD | | 1 | |
| 2 | 574 53 06-01 | CLAMP | Spare part with Captive Screw | 1 | 1 |
| 3 | 573 99 43-04 | SCREW IHSCFMO | Captive Screw | 2 | 1,2 |
| 4 | 501 32 08-01 | ADAPTER | | 1 | 1 |
| 5 | 574 53 26-01 | BLADE GUARD | | 1 | 1 |
| 6 | 503 20 02-16 | SCREW IHSCFM | | 4 | 1,5 |
| 7 | 574 03 95-01 | LOCKING NUT | | 4 | 1,5 |
| 8 | 537 33 16-03 | SPLASH GUARD | | 1 | |
| 9 | 537 39 63-03 | SPLASH GUARD | | 1 | 8 |
| 10 | 503 79 88-01 | BLADE | | 1 | 8,9 |
| 11 | 503 21 07-16 | SCREW IHSC T | | 1 | 8,9 |
| 12 | 537 38 72-01 | SNAP LOCKING | | 4 | 8,9 |
| 13 | 537 34 94-03 | TRIMMER GUARD | | 1 | |
| 14 | 503 21 68-25 | SCREW IHSCFT | | 1 | 13 |
| 15 | 503 79 88-01 | BLADE | | 1 | 13 |
| 16 | 544 12 45-01 | RETAINER | | 1 | 13 |
| 17 | 502 44 81-01 | TRIMMER GUARD ASSY | | 1 | |
| 18 | 503 21 68-25 | SCREW IHSCFT | | 1 | 17 |
| 19 | 503 79 88-01 | BLADE | | 1 | 17 |

R2 135 R, 336 FR ACCESSORIES



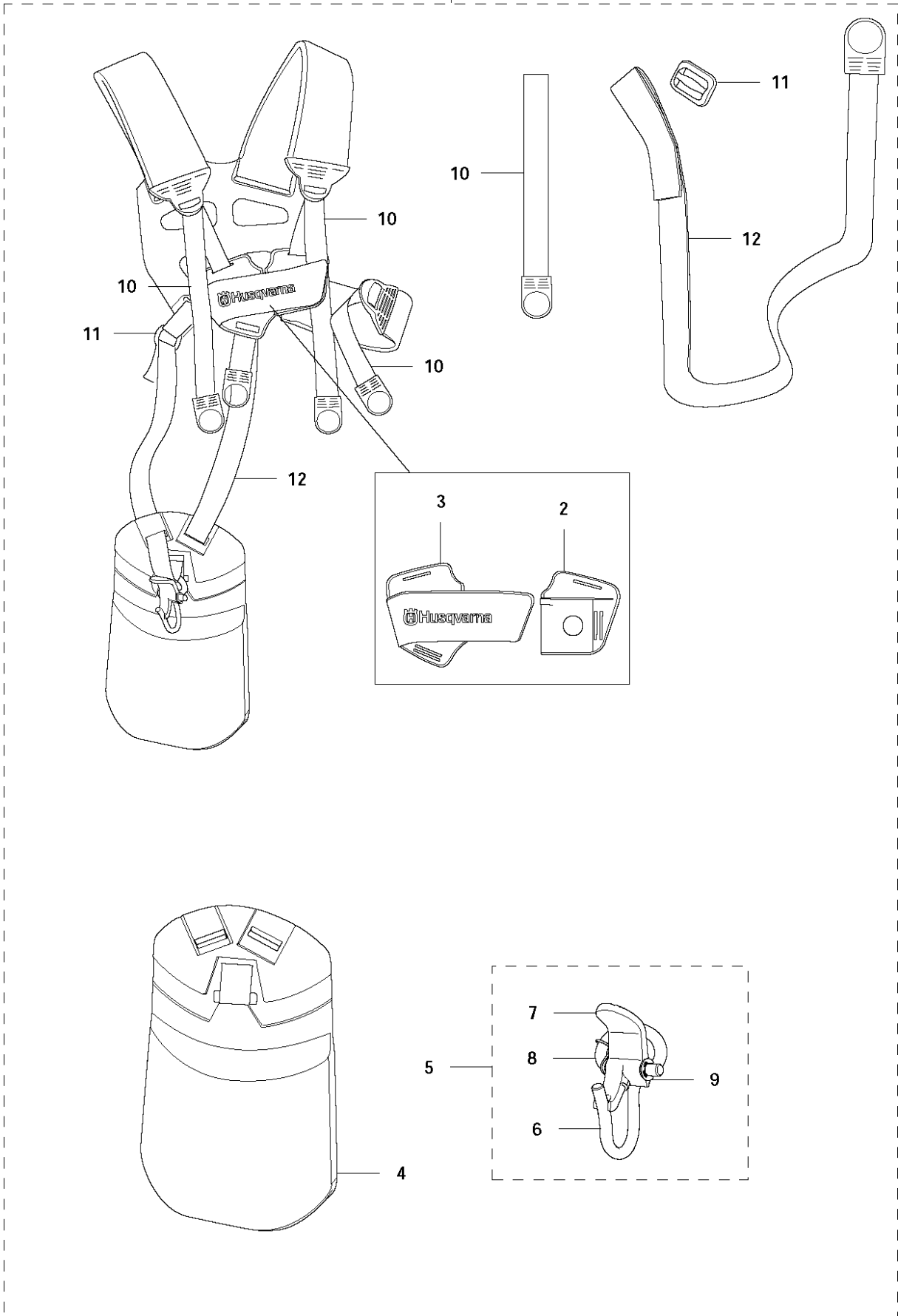
ACCESSORIES

336 FR

| Ref | Part No | Description | Remark | QTY KIT |
|-----|--------------|--------------------|--------|---------|
| 1 | 501 19 22-01 | TOOL | | 1 |
| 2 | 531 00 92-48 | FILTER OIL | | 1 |
| 3 | 503 97 65-01 | GREASE | | 1 |
| 4 | 502 28 59-01 | STOP | | 1 |
| 5 | 503 80 17-01 | GREASE | | 1 |
| 6 | 537 36 21-02 | COMBINATION WRENCH | | 1 |
| 7 | 544 35 91-01 | TRANSPORT GUARD | | 1 |
| 8 | 537 31 29-01 | TRANSPORT GUARD | | 1 |
| 9 | 503 89 01-02 | SUPPORT CUP | | 1 |
| 10 | 537 21 62-01 | HARNESS | | 1 |
| 10 | 537 21 62-02 | HARNESS | USA | 1 |

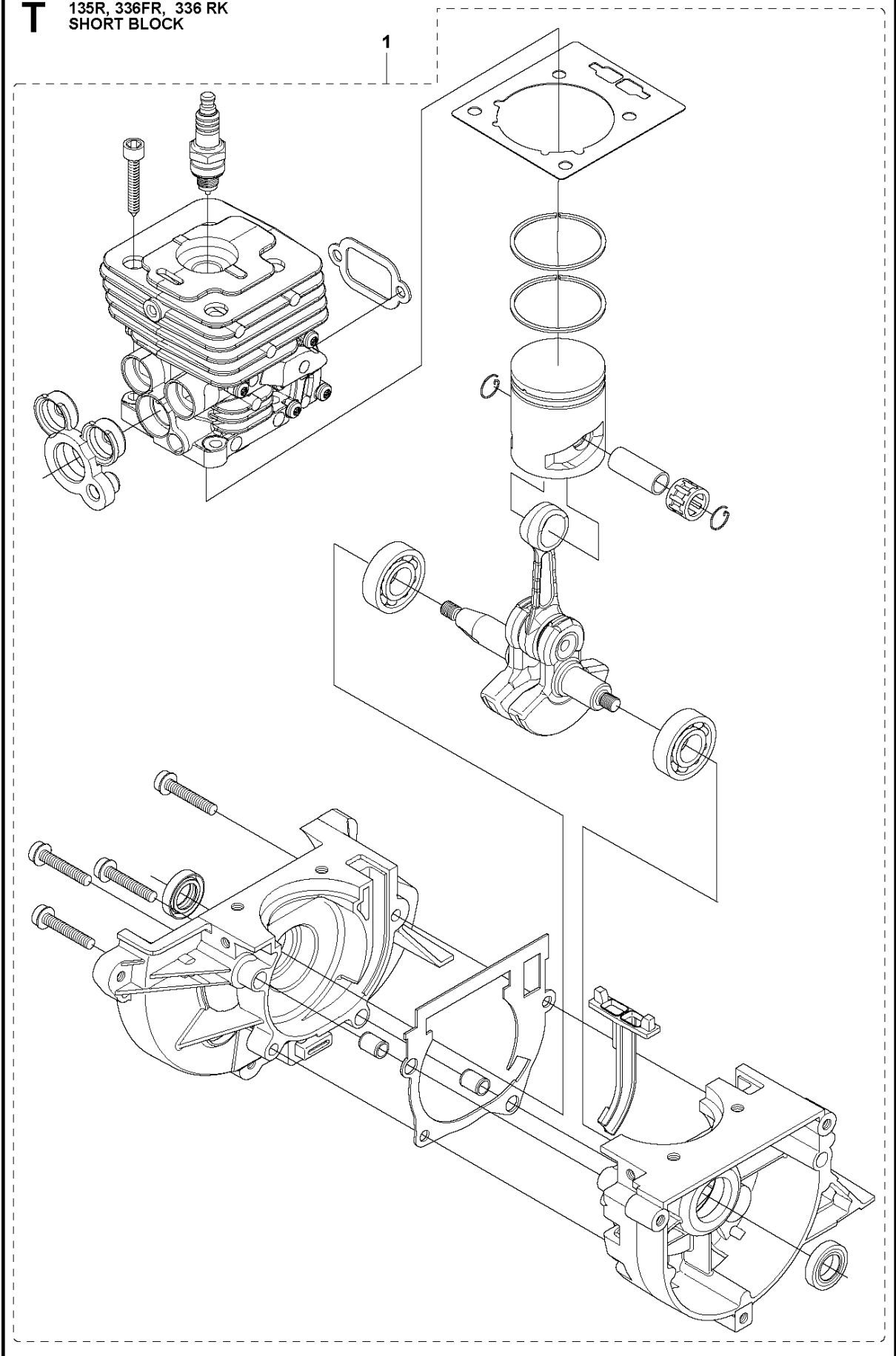
S DUO BALANCE 35
HARNESS

1



| Ref | Part No | Description | Remark | QTY KIT | |
|-----|--------------|-------------|--------|---------|-----|
| 1 | 537 27 57-02 | HARNES | | 1 | |
| 1 | 537 27 57-04 | HARNES | US | 1 | |
| 2 | 537 28 83-01 | FRONT PIECE | | 1 | 1 |
| 3 | 537 28 84-01 | FRONT PIECE | | 1 | 1 |
| 4 | 537 27 59-01 | HIP PAD | | 1 | 1 |
| 5 | 502 02 28-01 | HOOK | | 1 | 1 |
| 6 | 502 02 29-02 | HOOK | | 1 | 1,5 |
| 7 | 502 02 30-02 | LOCK | | 1 | 1,5 |
| 8 | 586 34 10-01 | SPRING | | 1 | 1,5 |
| 9 | 735 31 09-20 | E-CLIP | | 1 | 1,5 |
| 10 | 503 99 61-01 | BAND | | 3 | 1 |
| 11 | 537 11 35-01 | RETAINER | | 1 | 1 |
| 12 | 503 99 61-03 | BAND | | 1 | 1 |

T 135R, 336FR, 336 RK
SHORT BLOCK



| Ref | Part No | Description | Remark | QTY KIT |
|-----|--------------|------------------|-----------|---------|
| 1 | 594 72 91-01 | SHORT BLOCK ASSY | Assembled | 1 |

Illustrated Parts List - IPL Update



Product Name(s)

336FR

Description of change

Updated short block structure generates a new article number.

Comments

Introduced from

| Serial number / Date | Remark |
|-----------------------------|---------------|
| 2018-06 | |
| | |

IPL updates

| Page title | Ref. no | New part no | Name | Excl. part no. | Remark |
|-------------------|----------------|--------------------|------------------|-----------------------|---------------|
| Short block | 1 | 594 72 91-01 | Short block assy | 585 38 23-01 | |
| | | | | | |